

DOCUMENT NUMBER 400-0114-003

PNP300 / PNP300UN / PNP350

Pop 'N Plug Slim™

INTERCONNECT BOX

USER'S GUIDE

TABLE OF CONTENTS


	Page
PRECAUTIONS / SAFETY WARNINGS	2
GENERAL.....	2
INSTALLATION.....	2
CLEANING.....	2
ABOUT YOUR PNP300/300UN/350	3
TECHNICAL SPECIFICATIONS.....	3
PNP300/300UN/350 DIMENSIONS.....	4
FIGURE 1	4
DESCRIPTION.....	5
FIGURE 2	5
APPLICATION.....	6
FIGURE 3	6
INSTALLATION.....	7-8
FIGURE 4	7
OPERATION	9
FREQUENTLY ASKED QUESTIONS (FAQ)	9
TROUBLESHOOTING GUIDE	9
ALTINEX POLICY	99
LIMITED WARRANTY/RETURN POLICY	9
CONTACT INFORMATION	9

PRECAUTIONS / SAFETY WARNINGS 1

Please read this manual carefully before using your **PNP300/300UN/350** Pop 'N Plug *Slim*TM Interconnect Box. Keep this manual handy for future reference. These safety instructions are to ensure the long life of your **PNP300/300UN/350** and to prevent fire and shock hazard. Please read them carefully and heed all warnings.

1.1 GENERAL

- Unauthorized personnel shall not open the unit since there are high-voltage components inside.
- Qualified ALTINEX service personnel, or their authorized representatives must perform all service.

	CAUTION RISK OF ELECTRIC SHOCK DO NOT OPEN
The lightning flash and arrowhead within the triangle is a warning sign alerting you of "dangerous voltage" inside the product.	CAUTION: TO REDUCE RISK OF ELECTRIC SHOCK, DO NOT REMOVE COVER (OR BACK) NO USER SERVICEABLE PARTS INSIDE.

1.2 INSTALLATION

- For best results, place the **PNP300/300UN/350** Interconnect Box in a dry area away from dust and moisture.
- To prevent fire or shock, do not expose this unit to rain or moisture. Do not place the **PNP300/300UN/350** Pop 'N Plug *Slim*TM Interconnect Box in direct sunlight, near heaters or heat radiating appliances, or near any liquid.
- Handle the **PNP300/300UN/350** Pop 'N Plug *Slim*TM Interconnect Box carefully. Dropping or jarring can damage internal components.
- Never place fingers inside the openings of the unit.

- Do not place heavy objects on top of the **PNP300/300UN/350**. Do not use excessive force to push down on the top of the unit.
- To turn off main power, disconnect the power cord that supplies power to the AC outlet socket on the pop-up panel. The power outlet socket should be installed as near to the equipment as possible and should be easily accessible.
- We recommend using wall outlets with a Ground Fault Circuit Interrupter (GFCI) for maximum protection.
- Install all cables according to the instructions. Do not force or pull out any cable or power cord that is attached to the **PNP300/300UN/350** Pop 'N Plug *Slim*TM Interconnect Box.

1.3 CLEANING

- Surfaces should be cleaned with a dry cloth. Never use strong detergents or solvents, such as alcohol or thinner. Do not use a wet cloth or water to clean the unit.

ABOUT YOUR PNP300/300UN/350 2

The **PNP300/300UN/350** is designed for installation in a conference room table. The **PNP300/300UN/350** Pop 'N Plug *Slim*[™] Interconnect Box provides a means of connecting audio, video, control, and computer video sources into a presentation system. It is ideal for use together with ALTINEX computer video interfaces. The **PNP300/300UN/350** Pop 'N Plug *Slim*[™] Interconnect Box can "pop up" into a raised position to provide access to connectors and it can be lowered into a table when not in use. The **PNP300/300UN/350** uses a tower-type construction with a pneumatic suspension and a mechanical latching mechanism to accomplish this.

The **PNP300/300UN** Interconnect Box has one input plate on the front panel of the unit. The standard plate offers Computer Video (15-pin HD), Composite Video (RCA), Audio (RCA), Computer Audio (Stereo Mini), Modem (RJ-11), 9-pin D-type RS-232 and Network (RJ-45) input connections. All signals are passed through connectors or cables.

The **PNP350** Interconnect Box has one input plate on the front panel of the unit. The standard plate offers 2 AC power outlets and 6 RJ-45 network snap-in connectors. All signals are passed through connectors or cables.

The **PNP300/300UN/350** Interconnect Box is designed for use with table tops ranging from one to three inches thick.

TECHNICAL SPECIFICATIONS 3

FEATURES/DESCRIPTION	PNP300/300UN (standard)	
GENERAL		
	Front Panel Connectors	Cable end under table (signal cables are 6ft)
AC Power:	NEMA Outlet IEC320 Outlet	NEMA plug (9ft) IEC320 plug (6ft)
Computer Video	15-pin HD-F	15-pin HD-M
Composite Video	Yellow RCA-F	Yellow RCA-F
Audio-Left	Black RCA-F	Black RCA-F
Audio-Right	Red RCA-F	Red RCA-F
Stereo Audio	3.5 mm stereo F	3.5 mm stereo M
Telephone	RJ-11 F (6-pin)	RJ-11 M (6-pin)
Network	RJ-45 F (8-pin)	RJ-45 M (8-pin)
Control	DB-9 F	DB-9 M

FEATURES/DESCRIPTION	PNP350 (standard)	
GENERAL		
	Front Panel Connectors	Cable end under table
AC Power	2 NEMA Outlets	2 NEMA plugs (9ft)
Network	6 RJ-45 F	6 RJ-45 M (6ft)

Table 1. PNP300/300UN/350 General

MECHANICAL	PNP300/300UN/350 (standard)
Length (bezel)	10.03in. (255mm)
Width (bezel)	3.39in. (86mm)
Height (opened, above table)	2.19in. (56mm)
Depth (below table top)	6.14in. (156mm)
Finish	Black
T° Operating	10°C-40°C
T° Maximum	50°C
Humidity	90% non-condensing

Table 2. PNP300/300UN/350 Mechanical

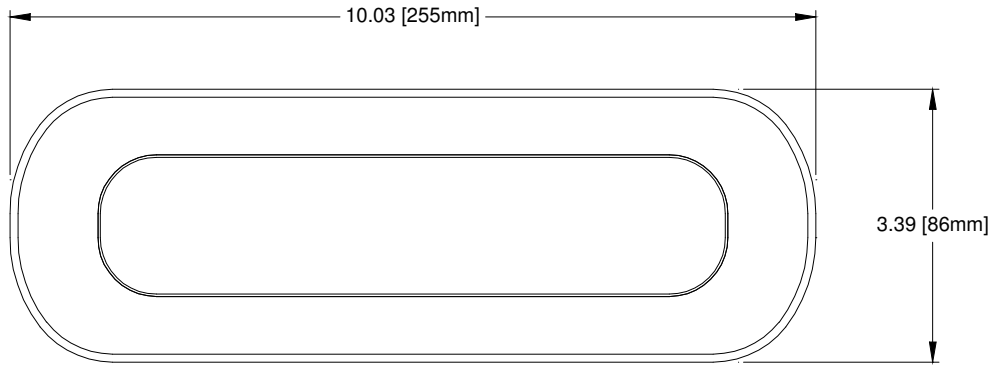
ELECTRICAL	POWER RATING (Pass-through)
PNP300	90-140 VAC, 6A Max.
PNP300UN	90-240 VAC, 3A Max.
PNP350 (Each outlet)	90-140 VAC, 5A Max.

Table 3. PNP300/300UN/350 Electrical

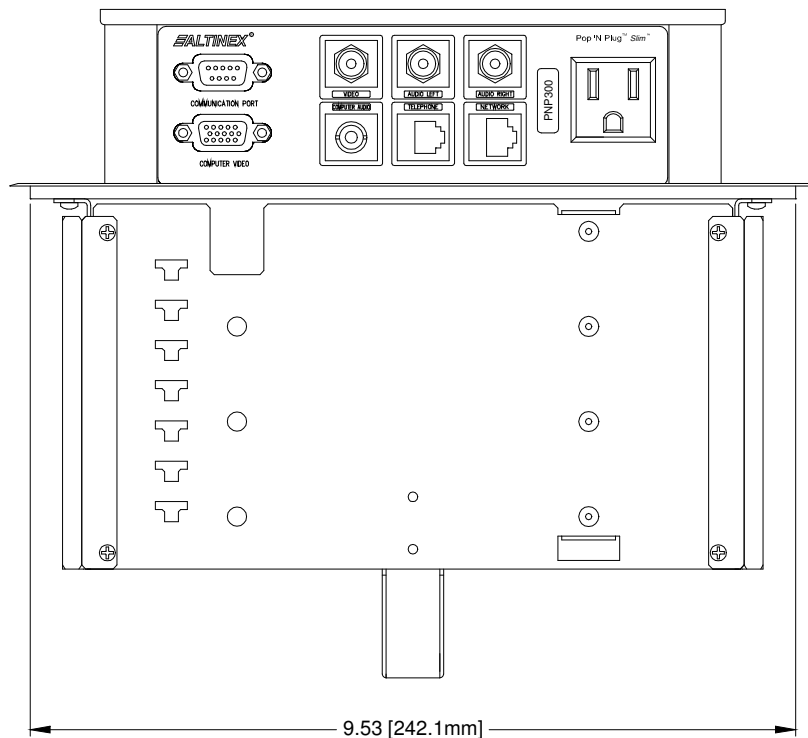
TABLE TOP SOLUTIONS

PNP300/300UN/350 DIMENSIONS 4

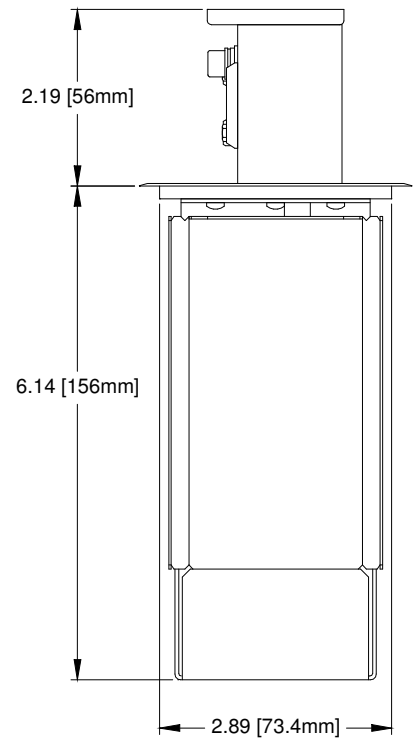
FIGURE 1: Dimensions



TOP VIEW



FRONT VIEW
(OPEN POSITION)

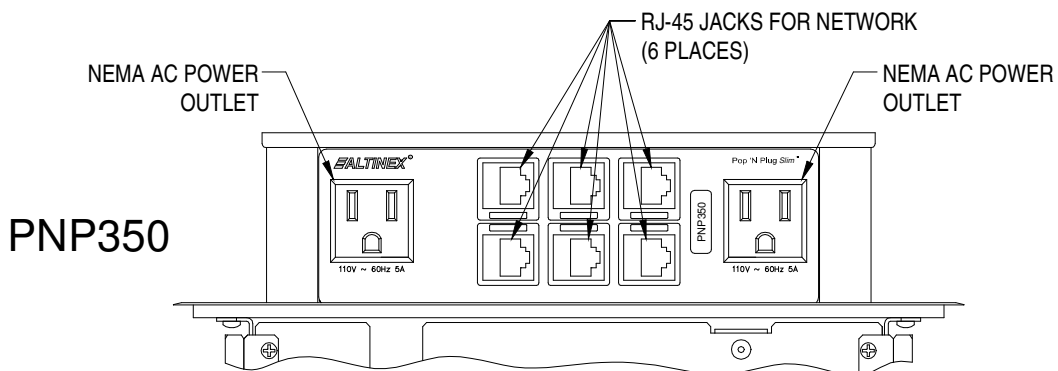
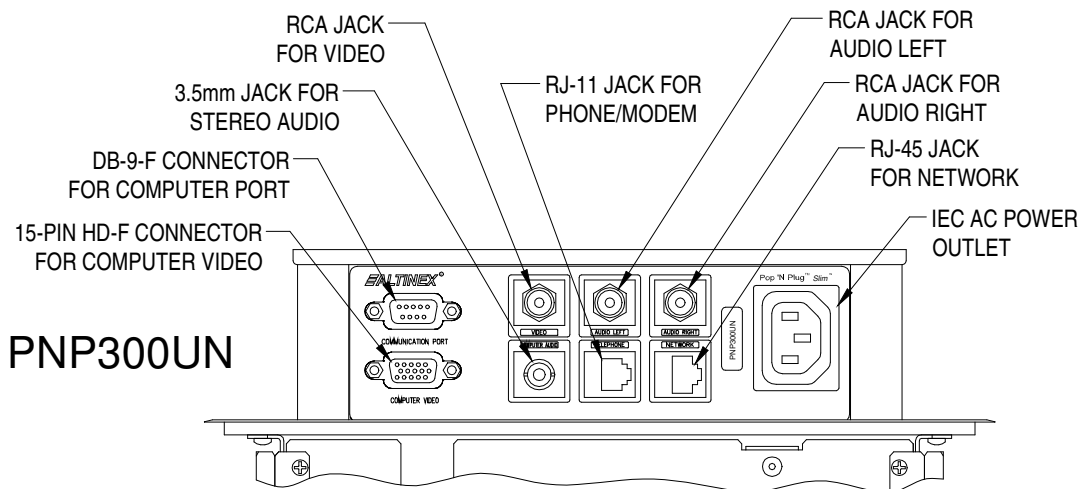
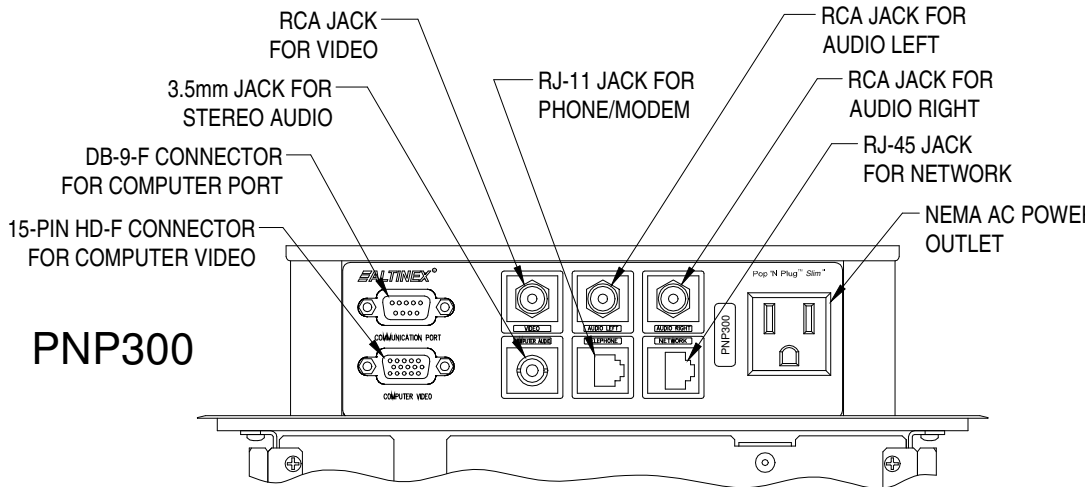


SIDE VIEW
(OPEN POSITION)

DESCRIPTION

5

FIGURE 2: Front Panel



5

APPLICATION DIAGRAM 6

FIGURE 3: Application Example

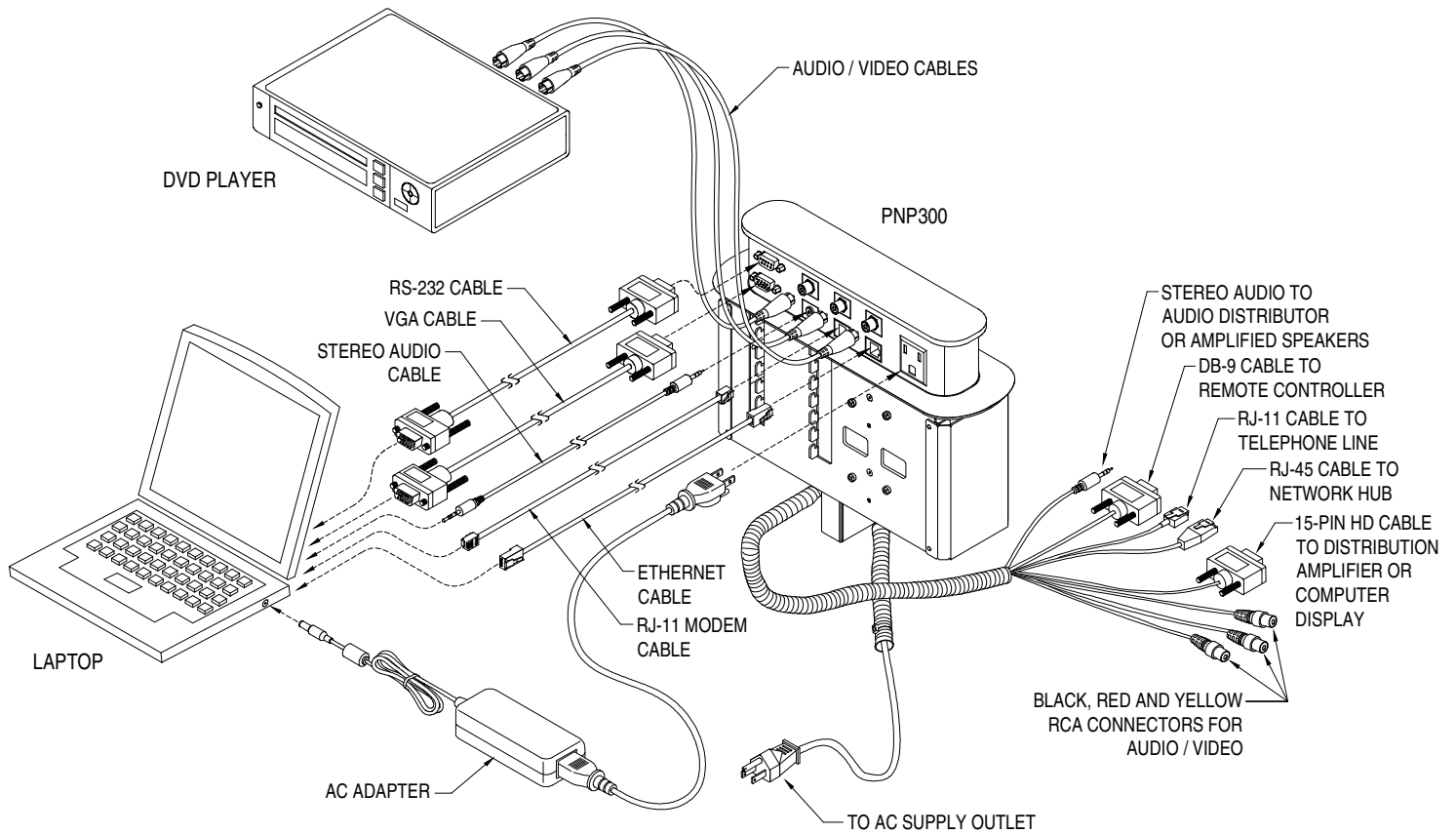
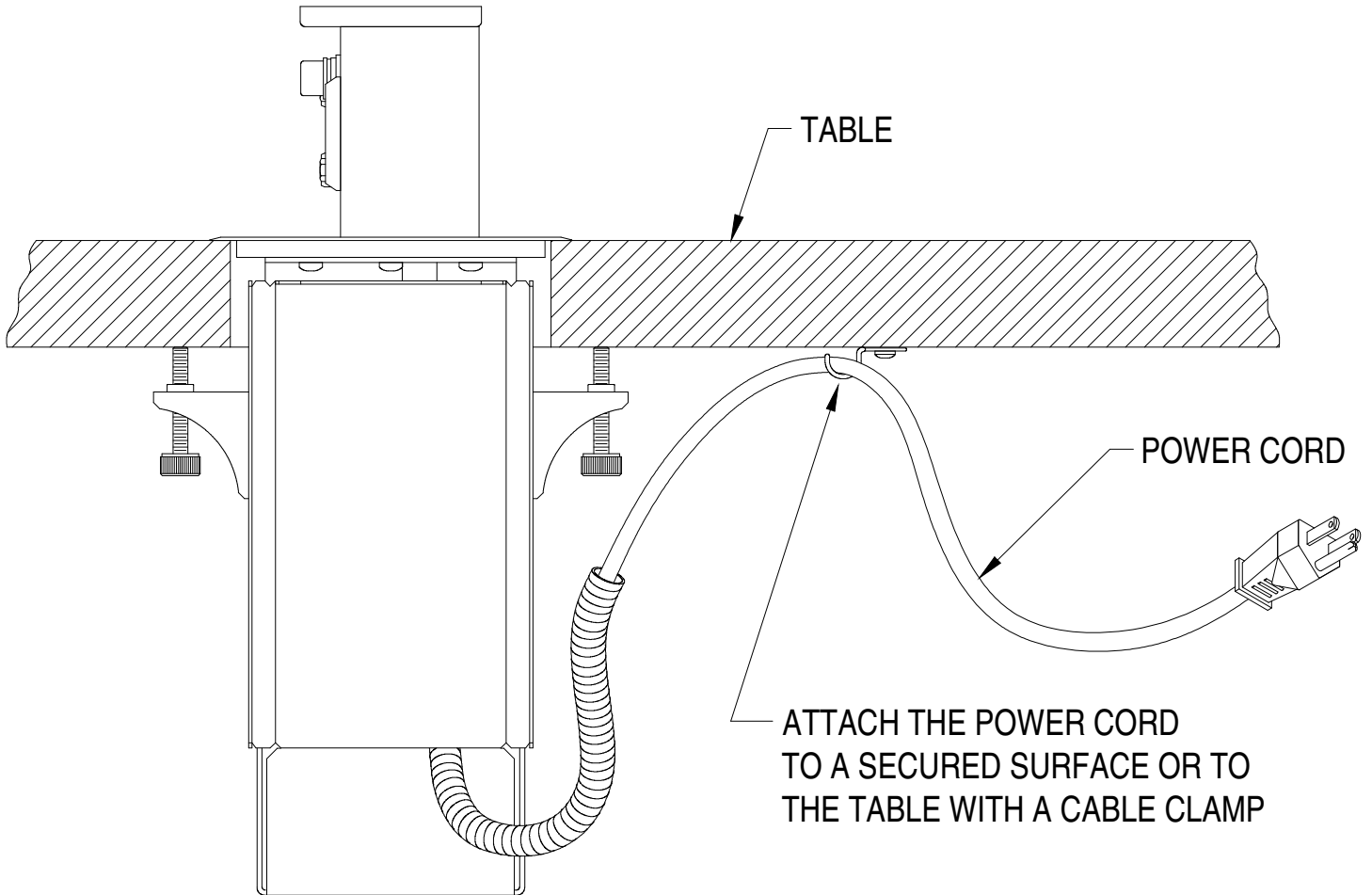


TABLE TOP SOLUTIONS

FIGURE 4 Cable Clamps



INSTALLATION

7

Step 1. Cut an opening into the table's surface. Refer to the ALTINEX website at www.altinex.com for the cutout requirements.

Note: The table can be 3 inches (76mm) or thinner in thickness. Always confirm dimensions before cutting to ensure that specifications have not changed.

Step 2. Place the support brackets under the table and place them between the support mount grooves on the side of the **PNP300/300UN/350** unit. Attach the brackets to the groove at the desired height and secure them to the bottom of the table using the setscrew. There are two support brackets, one for each side of the unit. (See Figure 6)

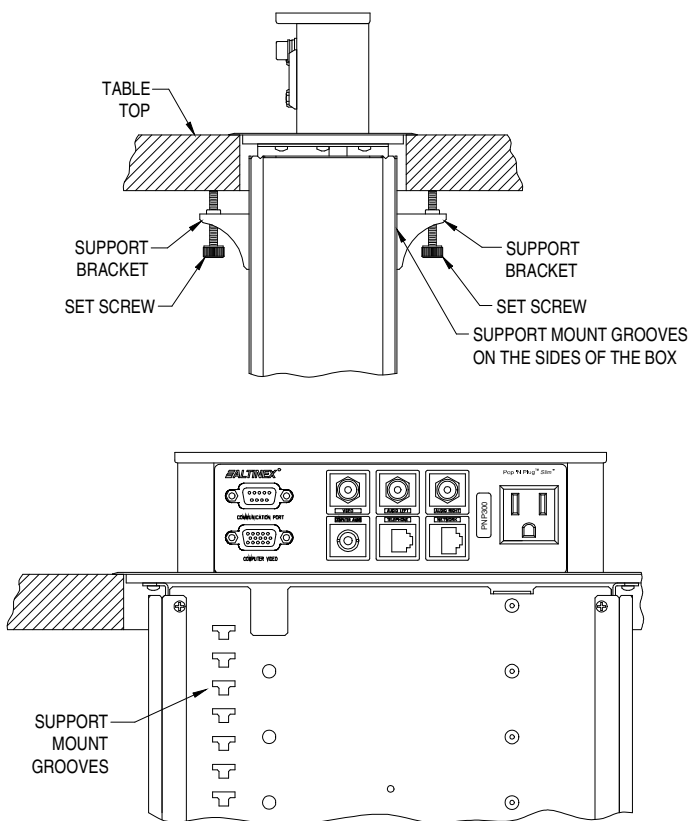


FIGURE 6: Attachment of the PNP300/300UN/350 to the table using support brackets and setscrews.

Step 3. Secure the cables by using the provided cable clamps (See Figure 7). Pass the power cord from the bottom of the housing and attach it to the bottom of the table using the cable clamp and screw supplied with the **PNP300/300UN/350** unit. Do not clamp the cord too tight or too loose (See Figure 5, page 7).



FIGURE 7: Cable Clamp

Step 4. Connect the appropriate cables with the correct input connectors on the bottom of the unit. For the standard **PNP300** and **PNP300UN**, the black RCA cable is audio left, the red RCA cable is audio right and the yellow RCA cable is composite video. A round gray cable is also provided for connection to a stereo audio line. The black DB-15 HD and DB-9 cables are for computer video and serial data connections respectively. The red RJ-45 cable is for a network connection and the flat silver-gray RJ-11 cable is for a telephone or modem line. For the standard **PNP350**, there will be 6 red RJ-45 cables for independent network connections. Connect the proper cables on the bottom of the **PNP300/300UN/350**.

8

OPERATION 8

8.1 OPERATING THE POP-UP PANEL

To raise the unit, push down on the center of the top cover of the **PNP300/300UN/350** until a click is heard and then let go. The connector panel will pop up to allow access to the connectors. To lower the unit, disconnect all cables on the front connector panel then push down on the center of the top cover until the latches engage and the unit is locked in place.

The **PNP300/300UN/350** supplied unit was carefully tested and no problems were detected. However, we would like to offer the following suggestions:

- Please make sure that the highest quality network cables are used.
- Make sure that no cable or power cord is damaged or pinched. If there has been damage, then do not use the **PNP300/300UN/350**. Immediately contact the ALTINEX Customer Service Department to have the unit repaired.

FREQUENTLY ASKED QUESTIONS (FAQ) 9

No.	Question	Answer
1	Why is there a DB-9 connector?	The DB-9 connector is compatible with RS-232 serial communication.
2	What happens if the spring breaks?	The unit will not stay open.
3	What do I do if the PNP300/300UN/350 won't stay open?	The gas spring may need to be replaced. Call ALTINEX for service information.
4	How much room is taken up on the underside of the table?	The unit is 6.14 inches deep (156mm) maximum below the table top; to this dimension add about 4 inches (102mm) for cable clearance.

9

5	What if my table is thicker than 3 inches?	Then the area under the table near the PNP300/300UN/350 must be reduced to 3 inches (76mm) thickness.
6	Are cables for connecting a PC/laptop to the PNP300/300UN available?	Consider using MS8126CA (3ft) or MS8156CA (6ft) for VGA connection. Check the Altinex website for other cables.
7	Does ALTINEX honor any warranty on field modifications?	Anything modified by non-ALTINEX personnel is not covered by warranty.

TROUBLESHOOTING GUIDE 10

The **PNP300/300UN/350** supplied unit was carefully tested and no problems were detected; however, we would like to offer these suggestions.

- Please make sure that the highest quality video, audio, network, and telephone cables or connectors are used.
- Make sure that no cable or power cord is damaged or pinched. If there has been damage, then do not use the **PNP300/300UN/350** unit. Immediately contact the ALTINEX Customer Service Department to have the unit repaired.

ALTINEX POLICY 11

11.1 LIMITED WARRANTY/RETURN POLICY

Please see the Altinex website at www.altinex.com for details on warranty and return policy.

11.2 CONTACT INFORMATION

Sales Department

Phone: 714-990-2300
Fax: 714-990-3303