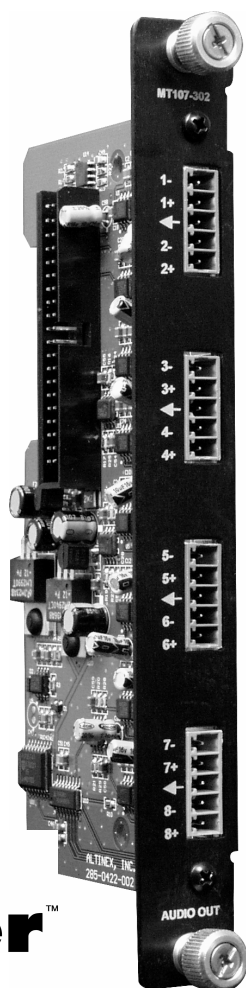


**Mult
Tasker™**



MANUAL PART NUMBER: 400-0355-001

MT107-302

8 BALANCED AUDIO OUTPUTS FOR MULTI-TASKER™ AUDIO MATRIX SWITCHER USER'S GUIDE

TABLE OF CONTENTS

	Page
PRECAUTIONS / SAFETY WARNINGS	2
GENERAL.....	2
INSTALLATION	2
CLEANING.....	2
FCC / CE NOTICE.....	2
ABOUT YOUR MT107-302.....	3
TECHNICAL SPECIFICATIONS.....	3
PRODUCT DESCRIPTION	4
APPLICATION DIAGRAM	5
DIAGRAM 1: TYPICAL CONFIGURATION	5
DIAGRAM 2: INTERNAL VIEW	6
INSTALLING YOUR MT107-302	7
OPERATION	7
RS-232 CONTROL.....	7
DESCRIPTION OF COMMANDS	7
TROUBLESHOOTING GUIDE	7
NO SOUND.....	7
ALTINEX POLICY	8
LIMITED WARRANTY/RETURN POLICY	8
CONTACT INFORMATION	8

PRECAUTIONS / SAFETY WARNINGS 1

Please read this manual carefully before using your **MT107-302**. Keep this manual handy for future reference. These safety instructions are to ensure the long life of your **MT107-302** and to prevent fire and shock hazard. Please read them carefully and heed all warnings.

1.1 GENERAL

- Qualified ALTINEX service personnel, or their authorized representatives must perform all service.

1.2 INSTALLATION

- To prevent fire or shock, do not expose this unit to rain or moisture. Do not place the **MT107-302** in direct sunlight, near heaters or heat radiating appliances, or near any liquid. Exposure to direct sunlight, smoke, or steam can harm internal components.
- Handle the **MT107-302** carefully. Dropping or jarring can damage the card.
- Do not pull the cables that are attached to the **MT107-302**.
- Insert the card carefully into the slots of the Multi-Tasker™ without bending any edges.

1.3 CLEANING

- Clean only the connector area with a dry cloth. Never use strong detergents or solvents, such as alcohol or thinner. Do not use a wet cloth or water to clean the card. Do not clean or touch any component or PCB.

1.4 FCC / CE NOTICE

- This device complies with part 15 of the FCC Rules. Operation is subject to the following two conditions: (1) This device may not cause harmful interference, and (2) this device must accept any interference received, including interference that may cause undesired operation.
- This equipment has been tested and found to comply with the limits for a Class A digital device, pursuant to Part 15 of the FCC Rules. These limits are designed to provide reasonable protection against harmful interference when the

equipment is operated in a commercial environment. This equipment generates, uses, and can radiate radio frequency energy and, if not installed and used in accordance with the instruction manual, may cause harmful interference to radio communications. Operation of this equipment in a residential area is likely to cause harmful interference in which case the user will be required to correct the interference at his own expense.

- Any changes or modifications to the unit not expressly approved by ALTINEX, Inc. could void the user's authority to operate the equipment.

ABOUT YOUR MT107-302 2

MT107-302

8 Balanced Audio Outputs

The **MT107-302** is an 8 Balanced Audio Output expansion card for use with the MT107-103 64X64 Audio Matrix Engine. This card is designed to pass balanced audio signals.

Each **MT107-302** connects to the **MT107-103** Audio Matrix Engine. A total of 7 output expansion cards may be connected to the **MT107-103** Engine. Each card is connected via a high bandwidth cable specially provided with the Engine.

As part of the **MT107-103** Matrix Engine, each **MT107-302** card has signal detection circuitry, which allows a user to determine presence of a signal on any output.

Each of the **MT107-302**'s outputs are driven by a Balanced Audio Line Driver. The output impedance is low and is capable of driving signals into 600 ohms, even in applications requiring long cable lengths.

Altinex's software and hardware allow for the switching of any input to output combination and prevents illegal switching combinations that may damage components.

TECHNICAL SPECIFICATIONS 3

FEATURES/DESCRIPTION	MT107-302
GENERAL	
Outputs	8 (2 per Term. Block)
Output Connectors	5 Pin Term. Block
Compatibility	
Signal types	Balanced Audio

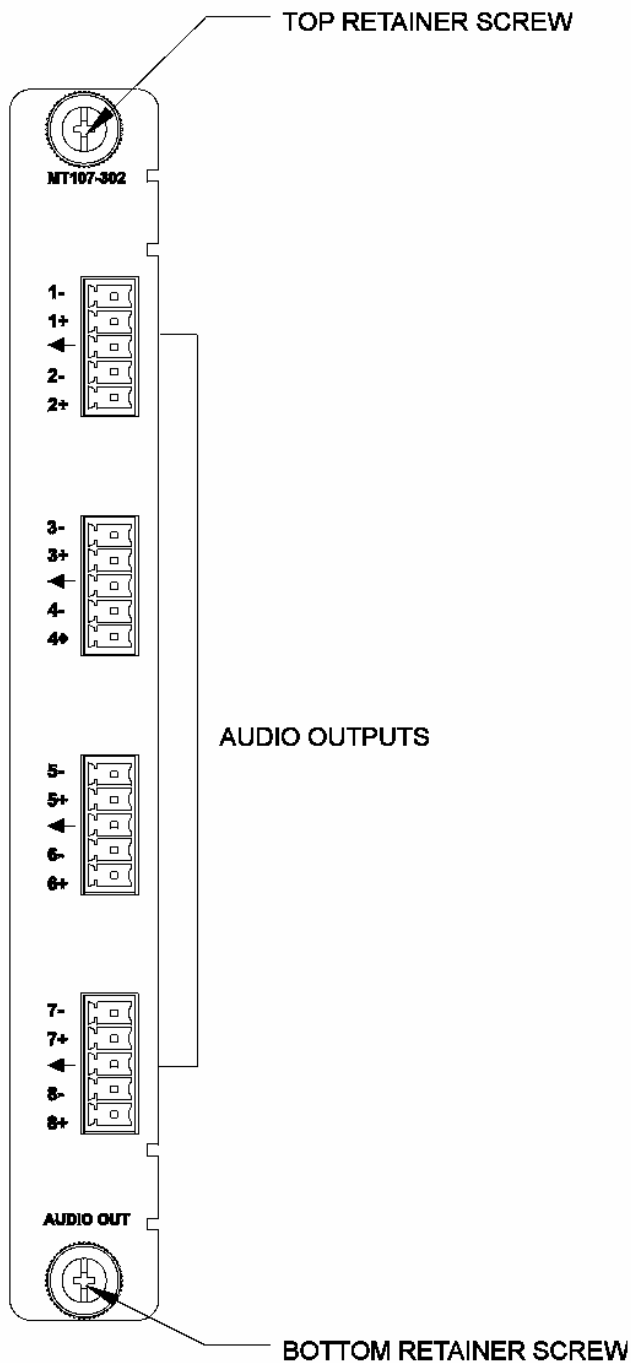
Table 1. MT107-302 General

MECHANICAL	MT107-302
Enclosure Slots Required	1 Slot per Card
Weight	0.4 lb (0.2 kg)
Connector Panel	Black Anodized
T° Operating	10°C-50°C
T° Maximum	75°C
Humidity	90% non-condensing
MTBF (calc.)	50,000 hrs

Table 2. MT107-302 Mechanical

ELECTRICAL	MT107-302
Output Signal	
Impedance Analog	Low - Drives 600 Ohms
Frequency Response	10Hz to 20KHz +/- 0.05dB

Table 3. MT107-302 Electrical



APPLICATION DIAGRAM 5

DIAGRAM 1: TYPICAL CONFIGURATION

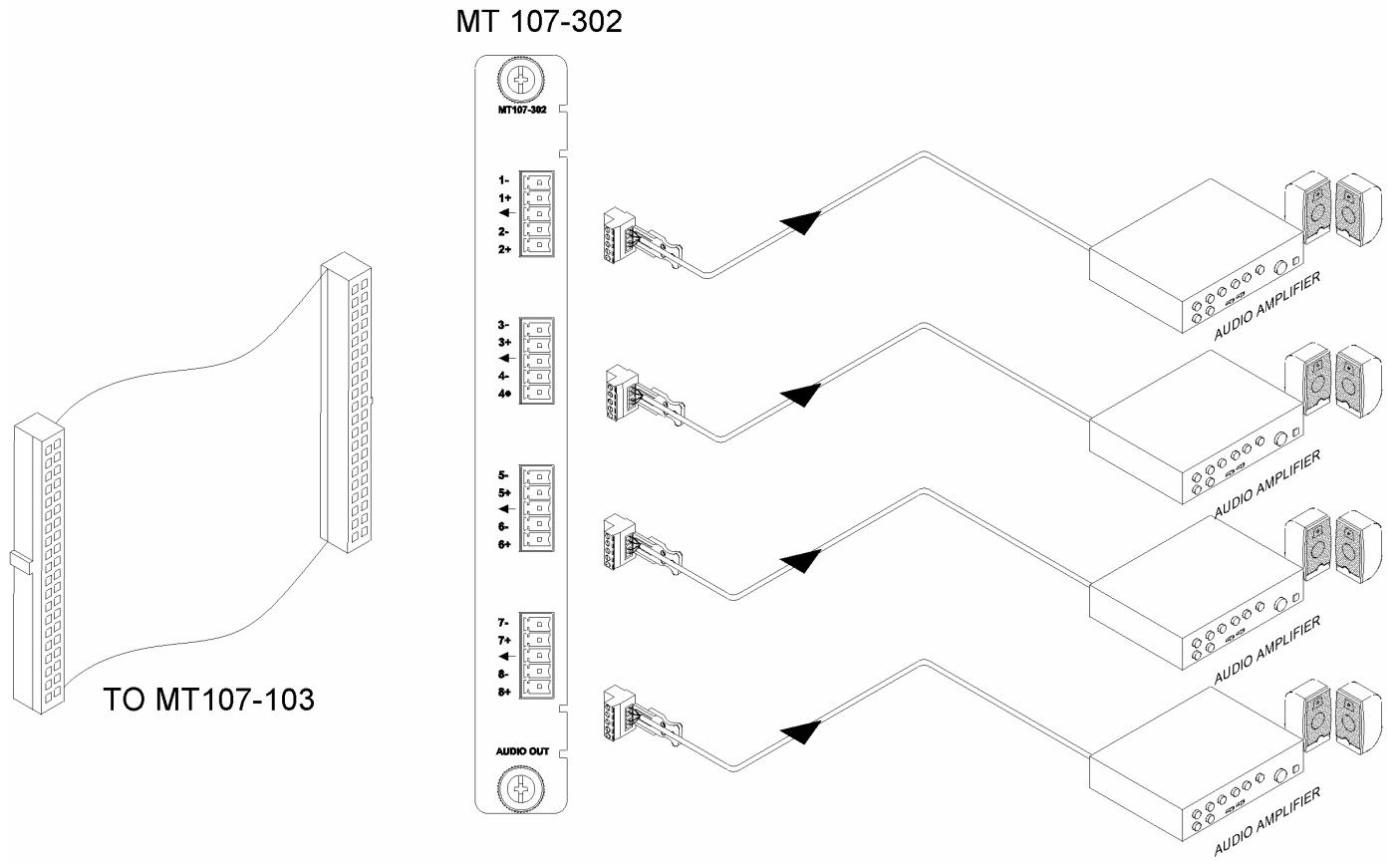
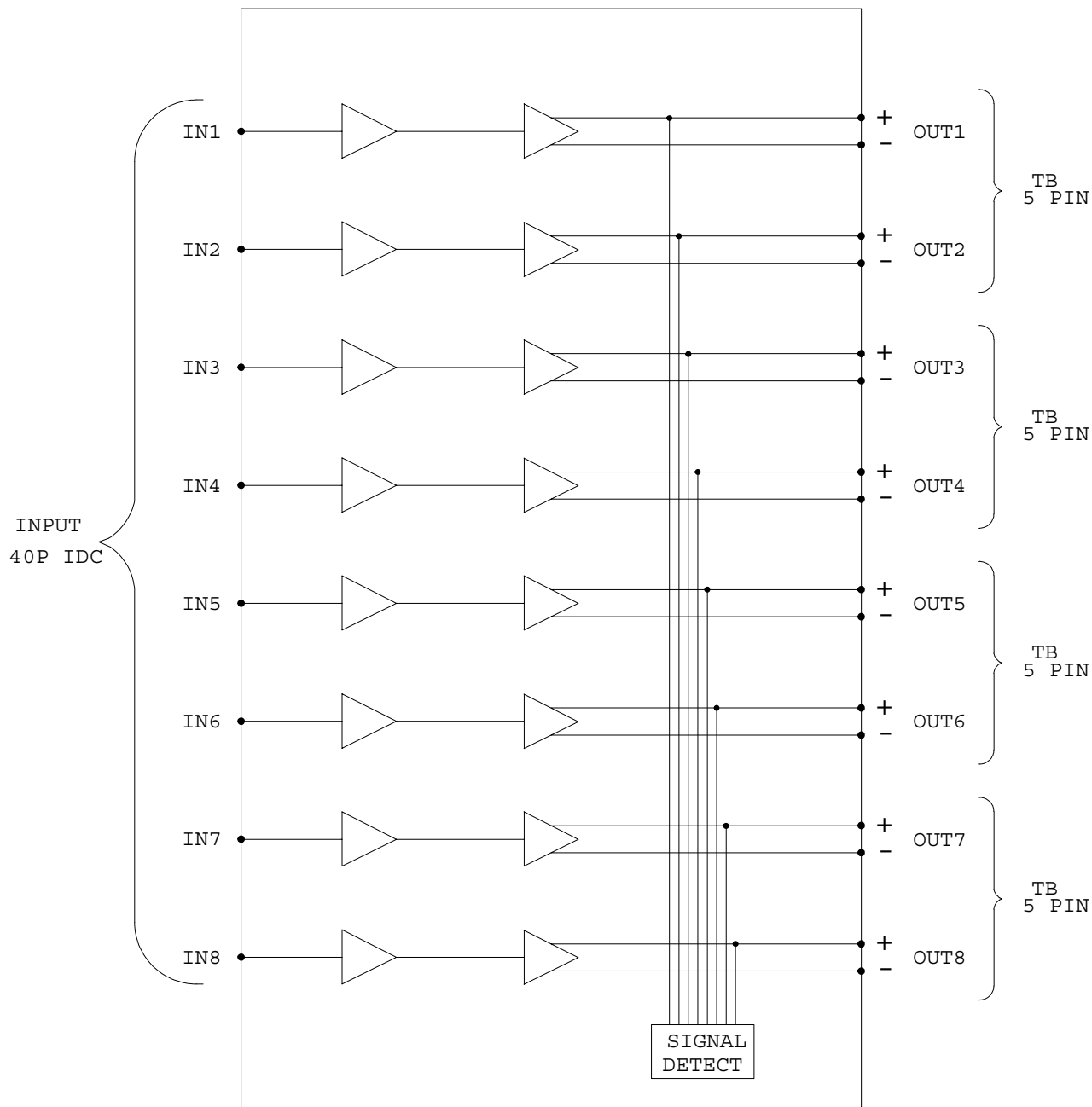


DIAGRAM 2 INTERNAL VIEW

MT107-302, 8 Balanced Audio Outputs



INSTALLING YOUR MT107-302 6

- Step 1.** Locate the **MT107-103** currently installed in the Multi-Tasker™. Ensure there are enough empty slots in the enclosure to allow for the one or more **MT107-302s** to be installed.
- Step 2.** Route the ribbon cables through the notch in the add-on boards and connect to the **MT107-103** base assembly using special high bandwidth cables provided with the Engine. Make sure that cable connector is secured in the socket of the output card.
- Step 3.** Carefully, slide the **MT107-302** into a slot of the Multi-Tasker™ Enclosure.
- Step 4.** Secure each card by tightening the retainer screws at the top and bottom of each card.

OPERATION 7

7.1 RS-232 CONTROL

The **MT107-302** has many advanced remote control capabilities when used in the Multi-Tasker™ Enclosure as part of an **MT107-103** Matrix Switcher. These capabilities are accessible through standard RS-232 communication. The actual controlling can be accomplished through a computer control system or any other device capable of sending RS-232 commands.

7.2 DESCRIPTION OF COMMANDS

Please, see the **MT107-103** User's Guide for a full listing of commands available for the **MT107-302** as part of a Multi-Tasker™ Matrix Switcher.

TROUBLESHOOTING GUIDE 8

We have carefully tested and have found no problems in the supplied **MT107-302**. However, we would like to offer suggestions for the following:

8.1 NO SOUND

Cause 1: The source has a problem.

Solution: Check the source and make sure that there is a signal present and all source connections are correct. If the source is working and there is still no sound, see Cause 2.

Cause 2: The output signal is not detected.

Solution 1: In MTSetup™, or other control software, send the [SDO] command. This command is detailed in the **MT107-103's** User Guide. Verify a signal is detected for the output number in question. If a signal is not detected, see Solution 2.

Solution 2: Verify the **MT107-302** is connected to the **MT107-103** and that the cable is in good condition. If a signal is detected, see Cause 3. If there is no signal detected, please, call Altinex at (714) 990-2300.

Cause 3: The path is not selected.

Solution: Make sure the input to output path is correctly selected.

For example, Input 1 is connected to Output 17 in the matrix engine. Physically, the source signal is connected to Input 1 and the receiving device cable is connected to Output 17. See RS-232 accessible commands in Section 7 of the **MT107-103's** User Guide for command details.

If no sound is present, see Cause 4.

Cause 4: Input volume is too low or muted.

Solution: Check the volume for the selected input to output connection. Turn OFF the MUTE function and try adjusting the volume. If there is still no sound, see Cause 5.

Cause 5: Cable connections are incorrect.

Solution: Make sure that cables are properly connected. Also, make sure that the continuity and wiring are good. If there is still no sound present, see Cause 6.

Cause 6: The receiving device has a problem.

Solution: Make sure the receiving device has power and is turned ON. If there is still no sound, please call Altinex at (714) 990-2300.

ALTINEX POLICY

9

9.1 LIMITED WARRANTY/RETURN POLICY

Please see the Altinex website at www.altinex.com for details on warranty and return policy.

9.2 CONTACT INFORMATION

ALTINEX, INC

592 Apollo street

Brea, CA 92821 USA

TEL: 714 990-2300

TOLL FREE: 1-800-ALTINEX

WEB: www.altinex.com

E-MAIL: solutions@altinex.com