

# Tilt 'N Plug

## Key Features

- Opens/closes by pressing on top cover
- Pneumatic lift and a mechanical latching mechanism
- Up to six sectional plates
- Many optional lid and bezel finishes available



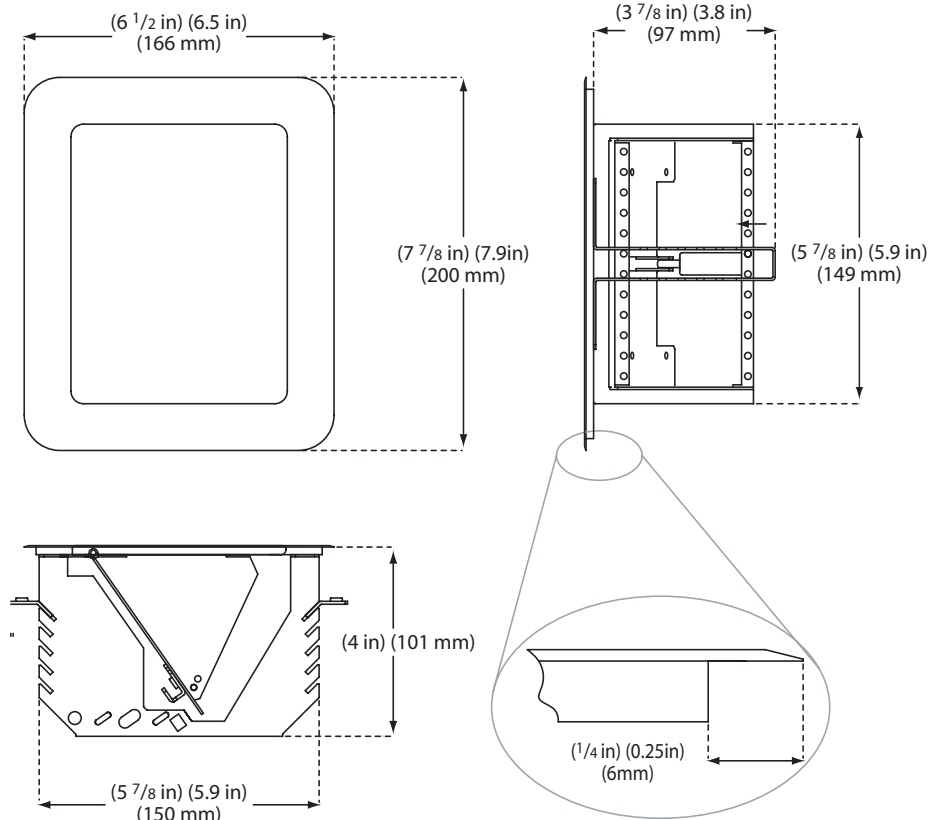
(optional sectional plate shown)



U.S. Patent No. D437,827

## Available Connectors


## Product Dimensions



Opening force . . . . .11 lbs/5 kg  
 Materials: tabletop . . . . .aluminum  
 Std. finish: tabletop . . . . .black anodized  
 Temp. range . . . . .10° to 40° C

Closing force . . . . . .6 lb/2.7.kg  
 Materials: Body . . . . .steel  
 Std. finish: body . . . . .black zinc  
 Warranty . . . . . .3 yrs; gas spring: 1 yr

## Design Tips

- Perfect for boardrooms and conference rooms
- Directional connector orientation promotes “personal” use
- Easy to modify by adding or changing sectional plates or snap-in connectors
- Order TNP502 for pre-configured set of most commonly used connectors
- Order TNP502C, and use [www.altinex.com](http://www.altinex.com) to customize connector set for assembly at ALTINEX