

Tilt 'N Plug Jr.™

Key Features

- Single compact enclosure
- Opens/closes by pressing on top cover
- Pneumatic lift and a mechanical latching mechanism
- Computer data and AV input, power outlet
- Many optional top cover and bezel finishes available



(default configuration)



U.S. Patent No. D437827

Available Connectors

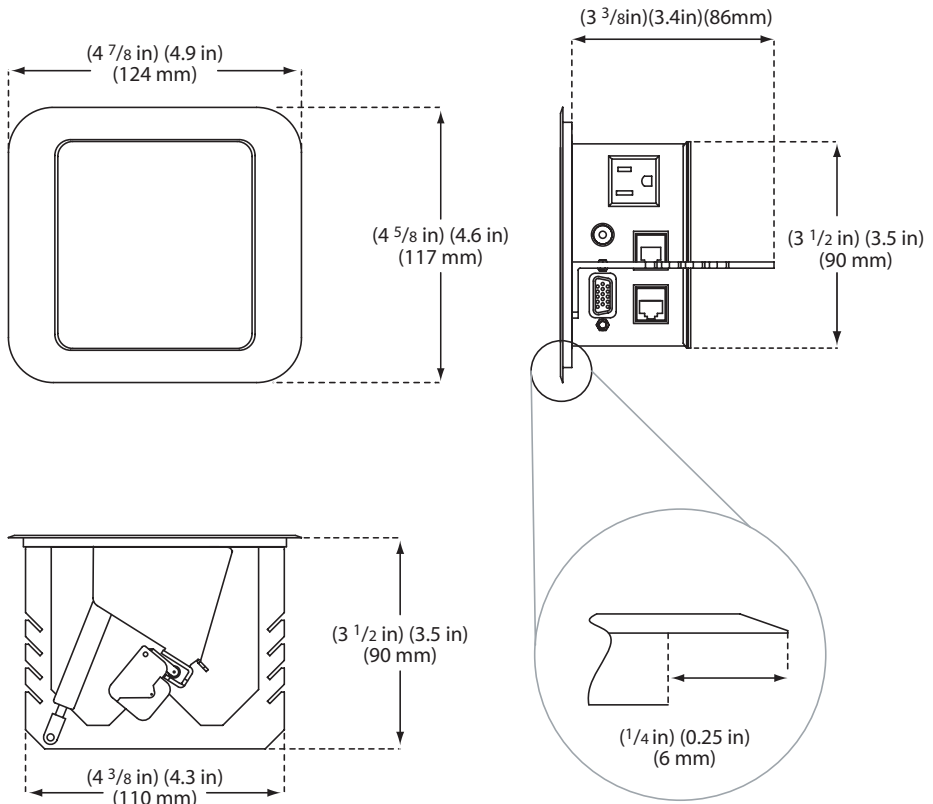
Connector Ends



Product subject to change without notice.

ALTINEX, Inc. • Toll Free: 800-ALTINEX • Tel: 714-990-2300 • Fax: 714-990-3303 • Web: www.altinex.com

Product Dimensions



Opening force5 lbs/2.3 kg
 Materials: tabletopaluminum
 Std. finish: tabletopblack anodized
 Temp. range10° to 40° C

Closing force4 lb/1.8.kg
 Materials: bodysteel
 Std. finish: bodyblack zinc
 Warranty3 yrs; gas spring: 1 yr

Design Tips

- All connector assemblies may be factory-customized for specific applications
- US AC power connector may be replaced with IEC320 female for international applications
- Ideal for notebook computer connection