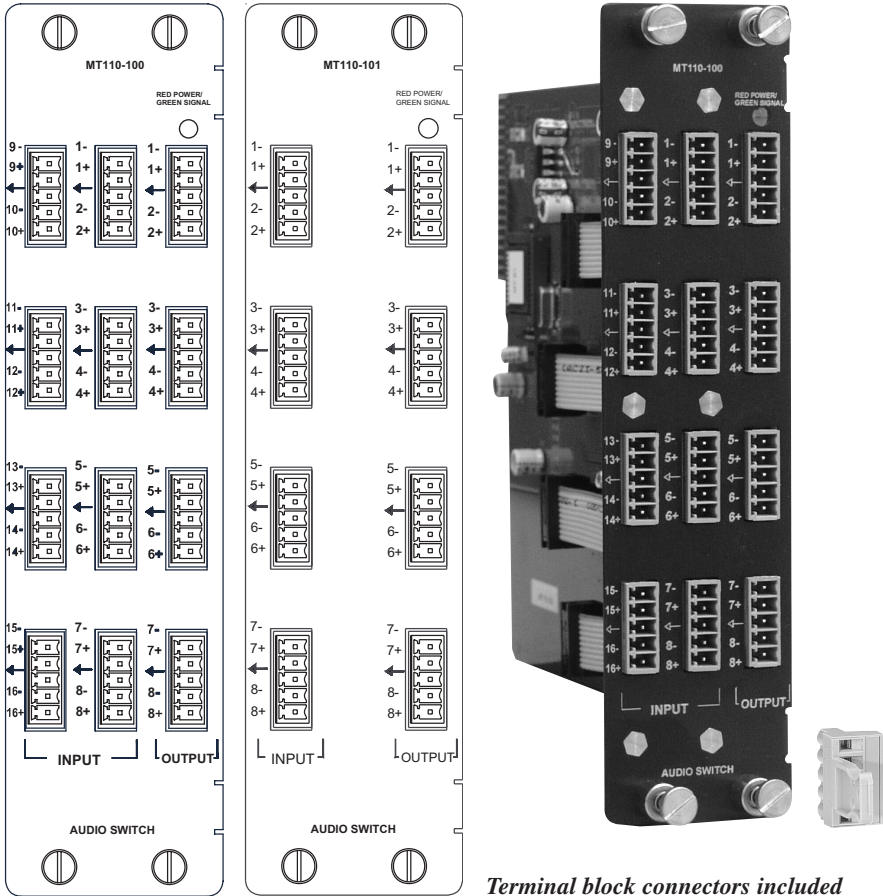


# Stereo Audio Matrix Switchers

## Product Comparison

	MT110-100	MT110-101
Inputs/Outputs	16 x 8 balanced	8 x 8 balanced
Input Connectors	terminal block	terminal block
Output Connectors	terminal block	terminal block
Signal Detect	✓	✓
Slots	2	2

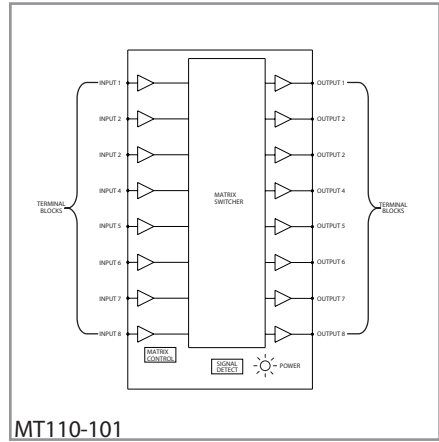
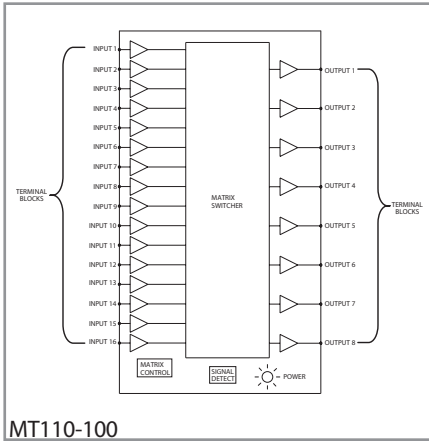


*Terminal block connectors included*

## RS-232 Control Commands

[CnUi], [GkUi], [VERCnUi], [ONmCnUi], [OFFmCnUi], [IxOyCnUi], [SW], [WRCn-CoCpCq...GkUi], [RDGkUi], [CLRGkUi]

## Block Diagrams



## Design Tips

- Any input independently switches to any of the outputs
- All inputs and outputs can be wired for unbalanced or balanced audio
- Can operate as stereo switcher: a single 16 x 8 card can be used to create an 8 x 4 stereo audio matrix
- Can be grouped for large applications: two 16 x 8 cards handle 16 x 8 stereo audio, six cards can handle 5.1 surround sound
- Switching is controlled via RS-232 commands through the MultiTasker enclosure, or through front panel control with a push-button front panel
- Input gain control (software) available by special order