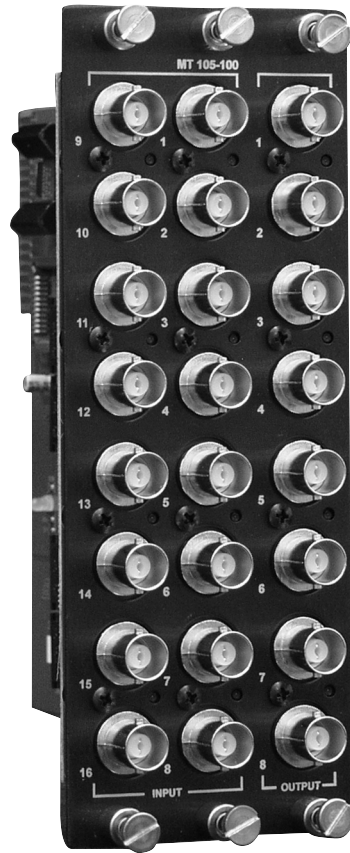
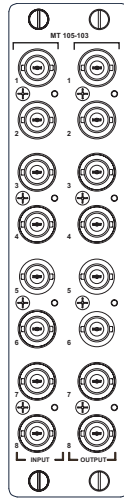
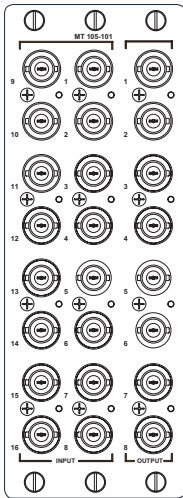
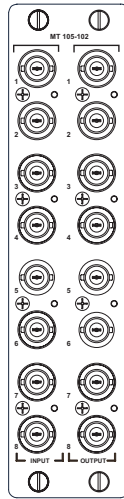
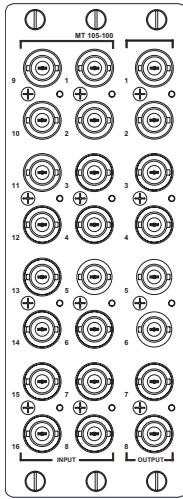


# Mid-Size Video Matrix Switchers

## Product Comparison

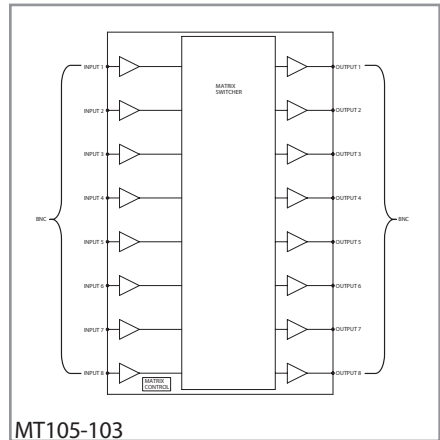
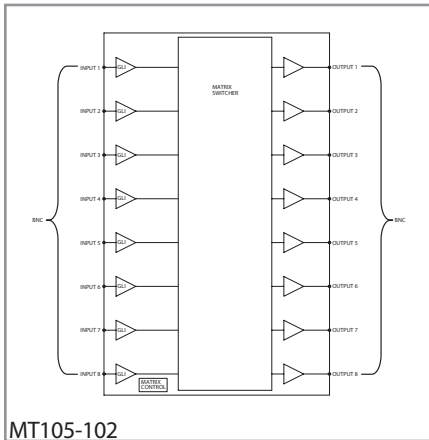
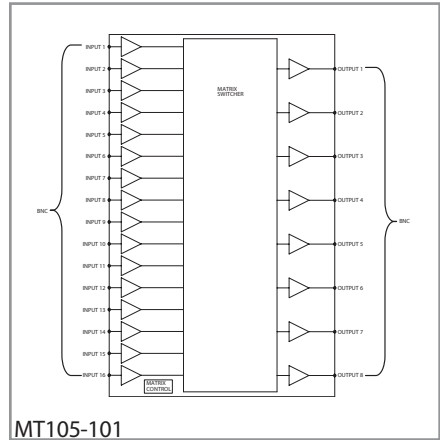
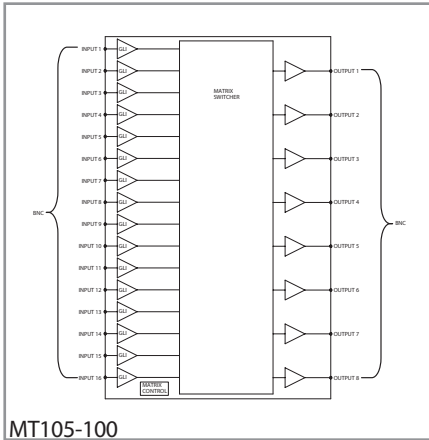
	MT105-100	MT105-101	MT105-102	MT105-103
Inputs/Outputs	16 x 8 matrix	16 x 8 matrix	8 x 8 matrix	8 x 8 Matrix
Input Connectors	BNC female	BNC female	BNC female	BNC female
Output Connectors	BNC female	BNC female	BNC female	BNC female
Bandwidth	350 MHz	200 MHz	350 MHz	200 MHz
GLI	✓		✓	
Slots	3	3	2	2



## RS-232 Control Commands

[CnUi], [GkUi], [VERCnUi], [ONmCnUi], [OFFmCnUi], [SW], [WRCnCoCpCq...GkUi], [RDGkUi], [CLRgkUi], [IxOyCnUi]

## Block Diagrams



## Design Tips

- Support composite, S-Video, component, HDTV, RGsB, RGBS, and RGBHV switching up to UXGA resolutions
- MT105-100 and MT105-102 have GLI (ground loop protection), support up to QXGA resolutions
- Use multiple cards for multi-signal formats, i.e., two cards for S-Video, three for RGB or component, five for RGBHV
- Single card inputs can be “ganged” to support multi-signal formats, i.e., 16 x 8 supports 8 x 4 S-Video matrix, 5 x 2 HDTV-RGB, or 4 x 2 RGBS matrix
- Matrix switching is controlled via RS-232 commands through the MultiTasker enclosure, or front panel control with a push-button front panel