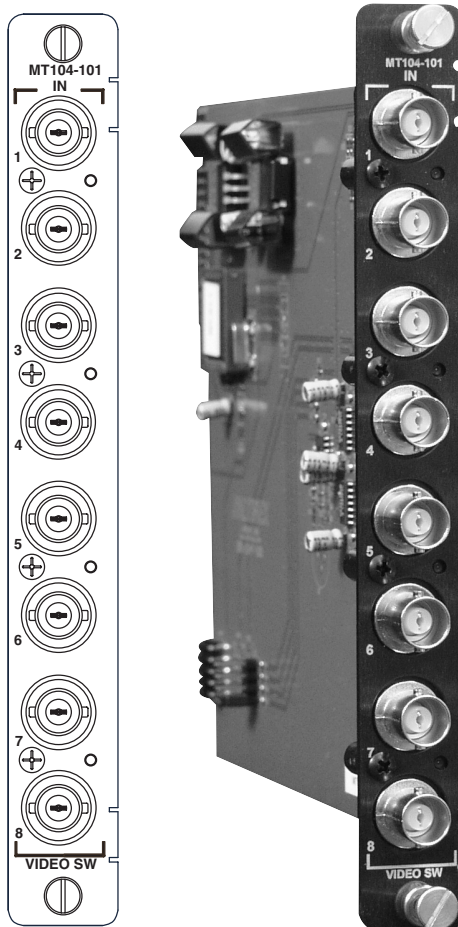


Video Switcher Expansion

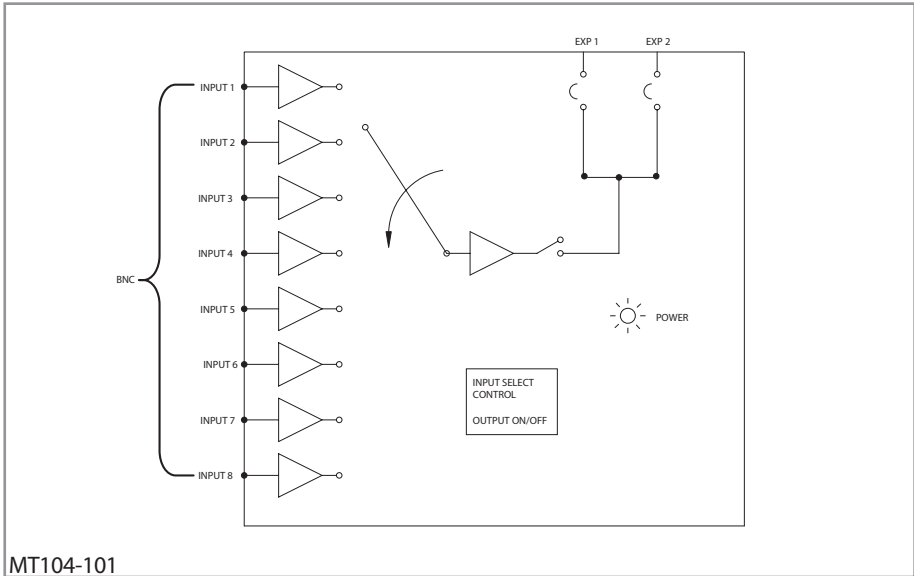
Product Comparison

	MT104-101
Inputs/Outputs	8-in expansion
Input Connectors	BNC female
Output Connectors	internal
Bandwidth	350 MHz
Output On/Off	✓
Slots	1



RS-232 Control Commands

[CnUi], [GkUi], [VERCnUi], [ONmCnUi], [OFFmCnUi], [SW], [WRCnCoCpCq...GkUi], [RDGkUi], [CLRGkUi]



Design Tips

- Must be used together with main Video Switcher Card (**MT104-100**) offering expansion capability
- Expansion accomplished with internal cable bus (single expansion cable included with expansion card)
- Switching controlled via RS-232 commands or front panel control through the MultiTasker enclosure
- Designed for composite video switching, and (using multiple cards installed side-by-side) can switch S-Video (two cards), component, HDTV and RGsB video (three cards), RGBS (four cards) and RGBHV (five cards)

