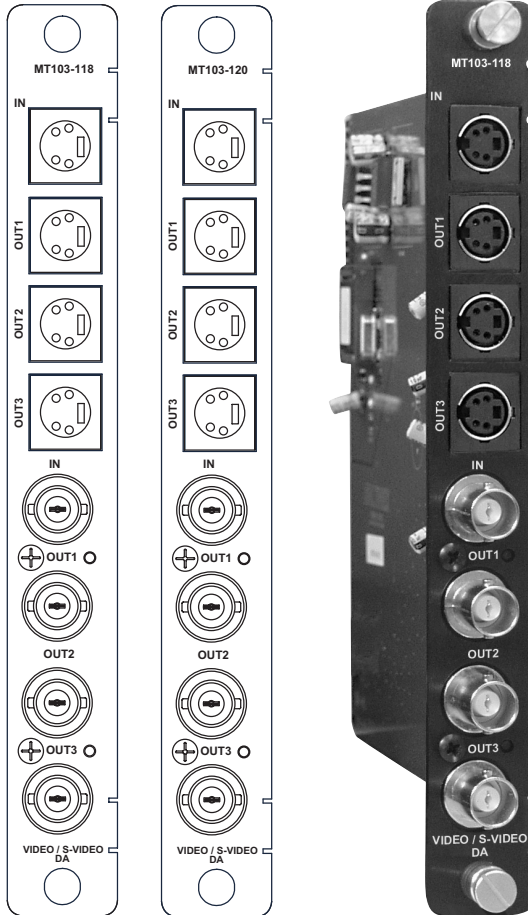


Dual Video/S-Video Distribution Amplifiers

Product Comparison

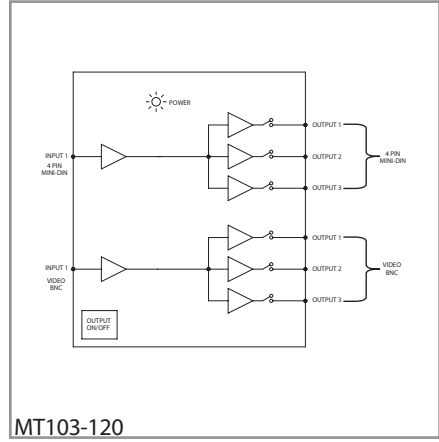
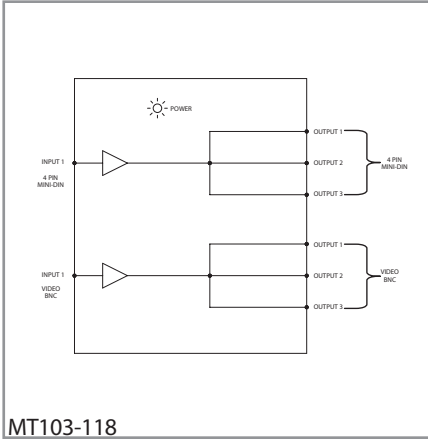
	MT103-118	MT103-120
Inputs/Outputs	Dual separate 1-in 3-out	Dual separate 1-in 3-out
Input Connectors	BNC female & 4-pin mini DIN female	BNC female & 4-pin mini DIN female
Output Connectors	BNC female & 4-pin mini DIN female	BNC female & 4-pin mini DIN female
Bandwidth	60 MHz	60 MHz
Ind. Buffered Outputs		✓
Output On/Off		✓
Slots	1	1



RS-232 Control Commands

[CnUi], [GkUi], [VERCnUi], [ONmCnUi], [OFFmCnUi], [SW], [WRCnCoCpCq...GkUi], [RDGkUi], [CLRgkUi]

Block Diagrams



Design Tips

- Use the MT103-118 for high-quality composite and S-Video distribution
- Use the MT103-120 for applications requiring output on-off control
- Adapt S-Video connectors to female BNC ends using **ALTINEX MS8135MG** (12 inch/30.5 centimeter, four-pin mini DIN male to two-BNC female)

