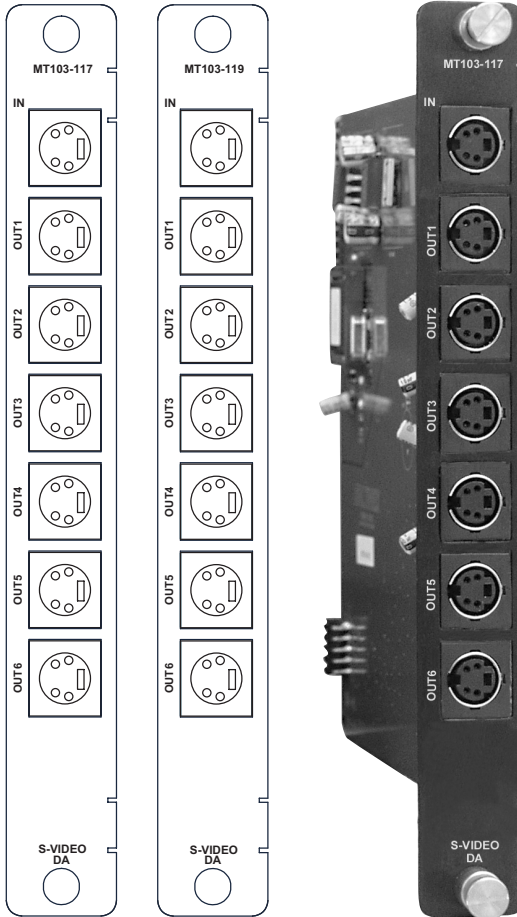


S-Video Distribution Amplifiers

Product Comparison

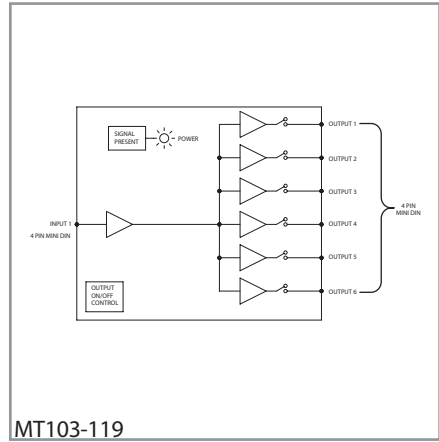
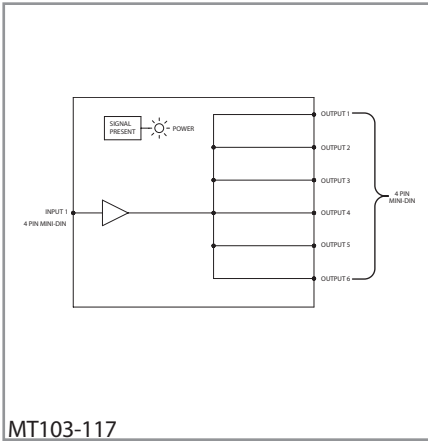
	MT103-117	MT103-119
Inputs/Outputs	1-in 6-out	1-in 6-out
Input Connectors	4-pin mini DIN female	4-pin mini DIN female
Output Connectors	4-pin mini DIN female	4-pin mini DIN female
Bandwidth	60MHz	60 MHz
Ind. Buffered Outputs		✓
Output On/Off		✓
Slots	1	1



RS-232 Control Commands

[CnUi], [GkUi], [VERCnUi], [ONmCnUi], [OFFmCnUi], [SW], [WRCnCoCpCq...GkUi], [RDGkUi], [CLRGkUi]

Block Diagrams



Design Tips

- Use the MT103-117 for high-quality S-Video distribution
- Use the MT103-119 for applications requiring output on-off control
- Can also be used as dual composite distribution amplifier with 4-pin mini-DIN to BNC adapter
- Adapt S-Video connectors to female BNC ends using **ALTINEX MS8135MG** (12 inch/30.5 centimeter, four-pin mini DIN male to two-BNC female)

