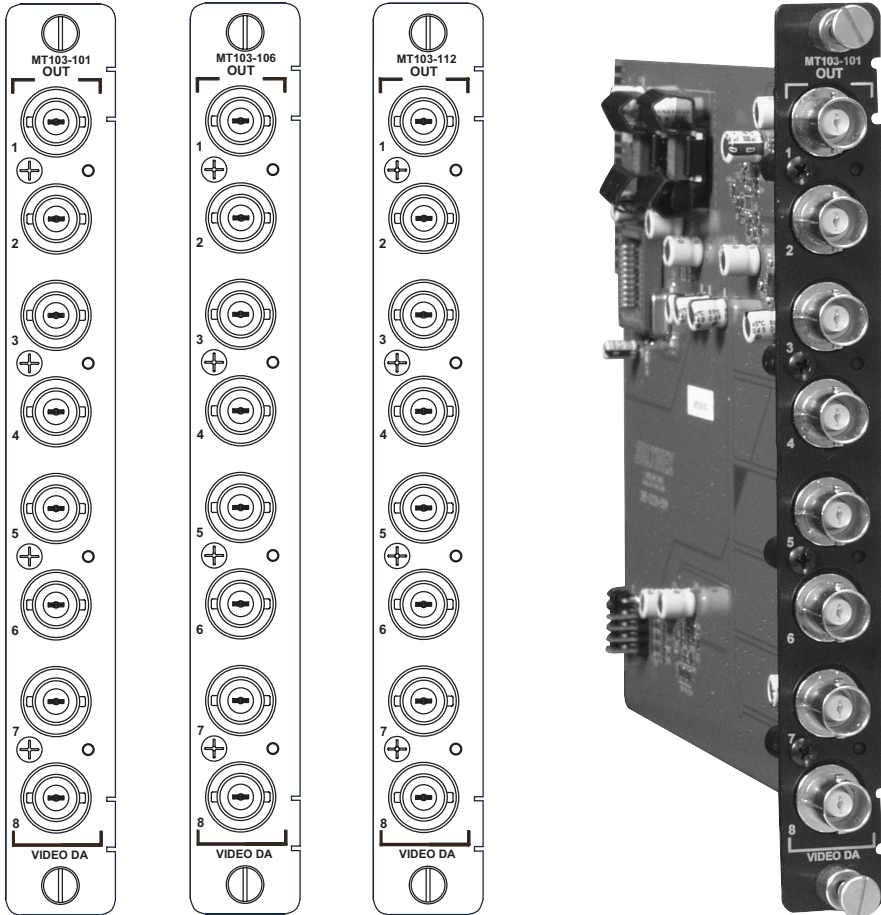


Video Distribution Amplifier Expansion

Product Comparison

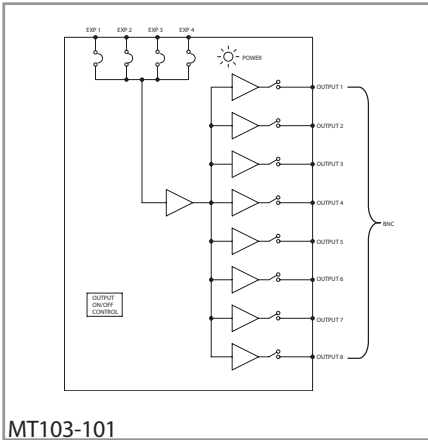
	MT103-101	MT103-106	MT103-112
Inputs/Outputs	8-out expansion	8-out expansion	8-out expansion
Input Connectors	internal	internal	internal
Output Connectors	BNC female	BNC female	BNC female
Bandwidth	350 MHz	350 MHz	250 MHz
Output On/Off	✓		
Ind. Buffered Outputs	✓	✓	
Slots	1	1	1



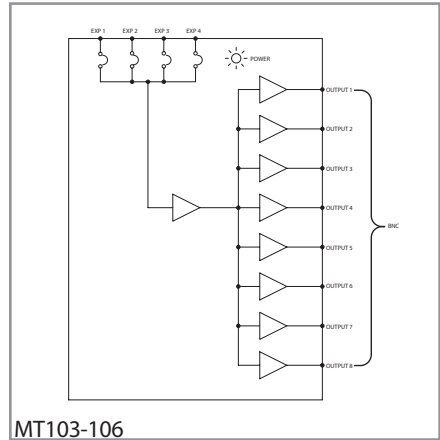
RS-232 Control Commands

[CnUi], [GkUi], [VERCnUi], [ONmCnUi], [OFFmCnUi], [SW], [WRCnCoCpCq...GkUi], [RDGkUi], [CLRGkUi]

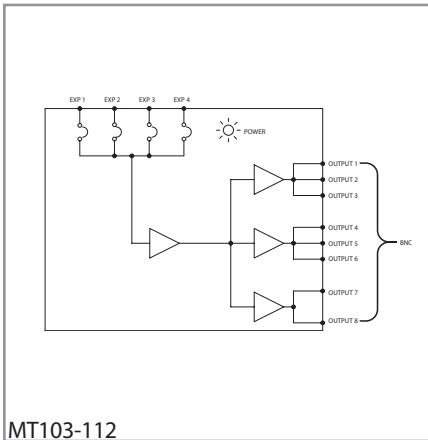
Block Diagrams



MT103-101



MT103-106



MT103-112

Design Tips

- Economical NTSC, PAL, SECAM and HDTV (Y, Pb, Pr) signal distribution with MT103-112
- Computer-grade bandwidth (up to QXGA), with MT103-101 and MT103-106
- Use multiple cards side by side to handle S-Video (two cards), component video or RGsB (three cards), RGSB (four cards), and RGBHV (five cards)
- Normally uses **MT103-100** or **MT103-111** for internal input, but may also be used with video switching expansion cards