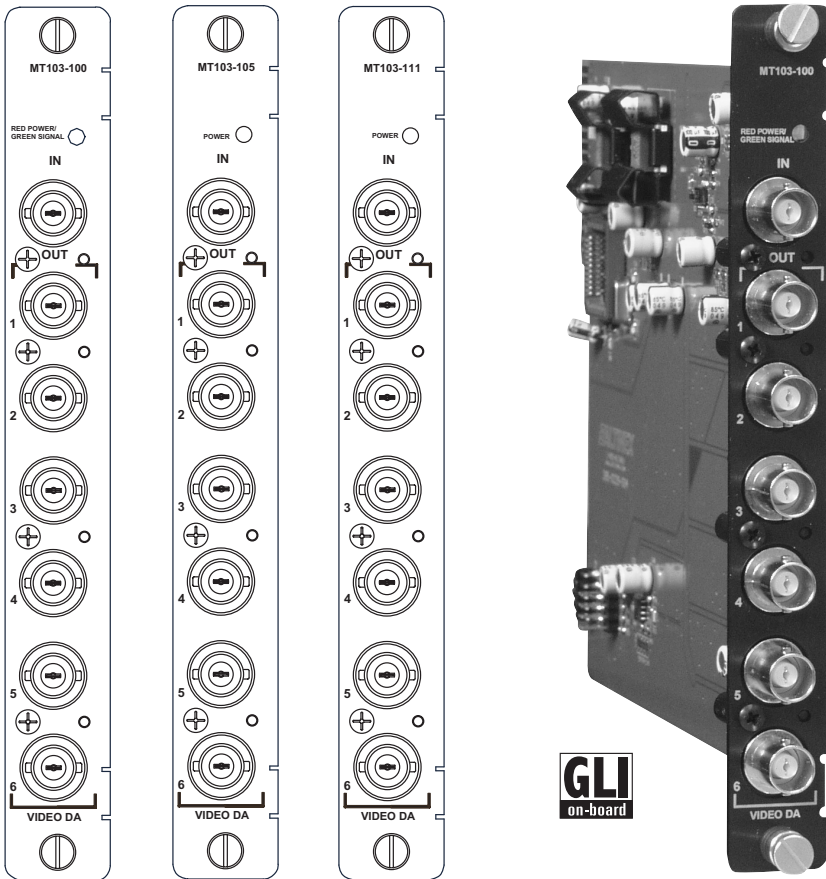


# Video Distribution Amplifiers

## Product Comparison

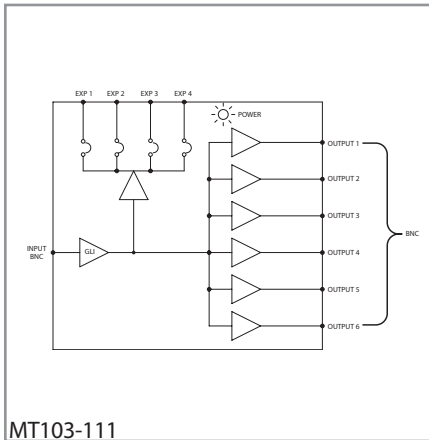
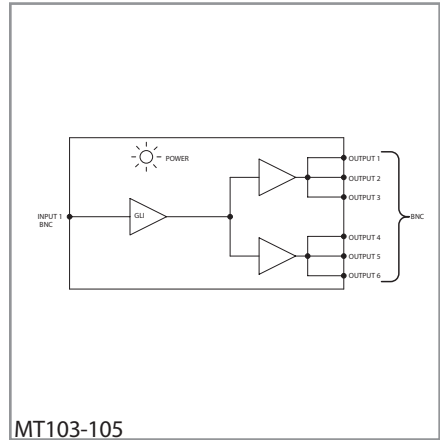
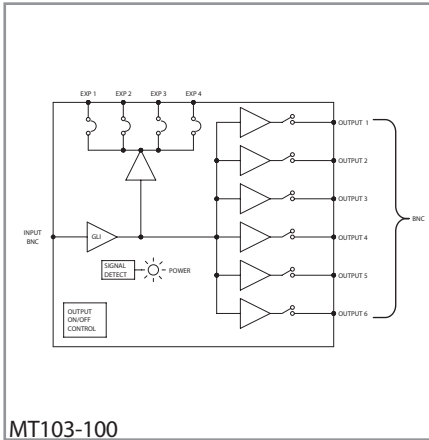
	MT103-100	MT103-105	MT103-111
Inputs/Outputs	1-in 6-out	1-in 6-out	1-in 6-out
Input Connectors	BNC female	BNC female	BNC female
Output Connectors	BNC female	BNC female	BNC female
Ind. Buffered Outputs	✓		✓
Bandwidth	350 MHz	250 MHz	350 MHz
Output On/Off	✓		
Signal Detect	✓		
GLI	✓	✓	✓
Expansion	4 cards		4 cards
Slots	1	1	1



## RS-232 Control Commands

[CnUi], [GkUi], [VERCnUi], [ONmCnUi], [OFFmCnUi], [SW], [WRCnCoCpCq...GkUi], [RDGkUi], [CLRGkUi]

## Block Diagrams



## Design Tips

- Economical NTSC, PAL, SECAM, and HDTV (Y, Pb, Pr) signal distribution with MT103-105
- Computer-grade bandwidth (up to QXGA) with MT103-100 and MT103-111
- Use multiple cards side by side to handle S-Video (two cards), component video or RGsB (three cards), RGsB (four cards), and RGBHV (five cards)
- Expand up to 38 outputs on MT103-100 and MT103-111 through internal connection of up to four expansion cards — see **MT103-101**, **MT103-106**, and **MT103-112**