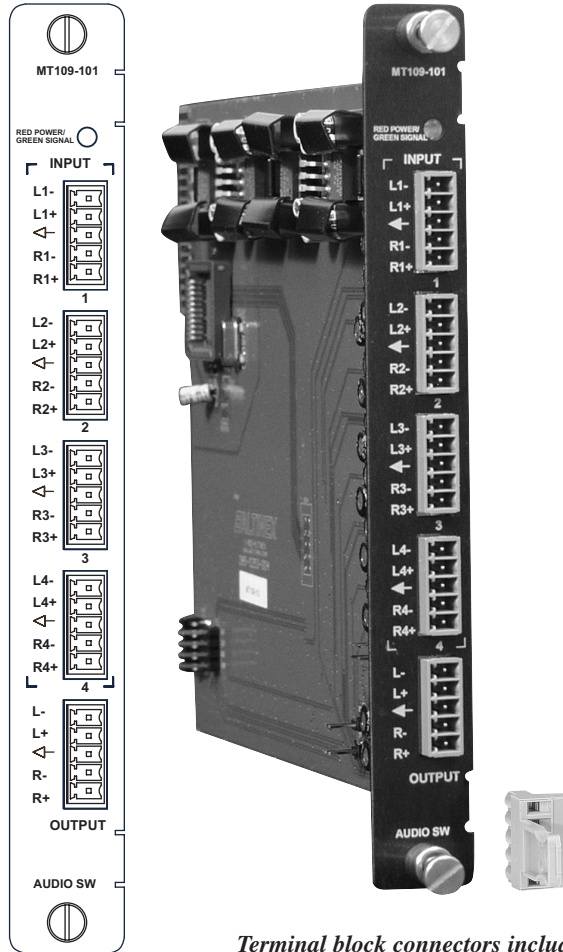


Stereo Audio Switcher Balanced In/Out

Product Comparison

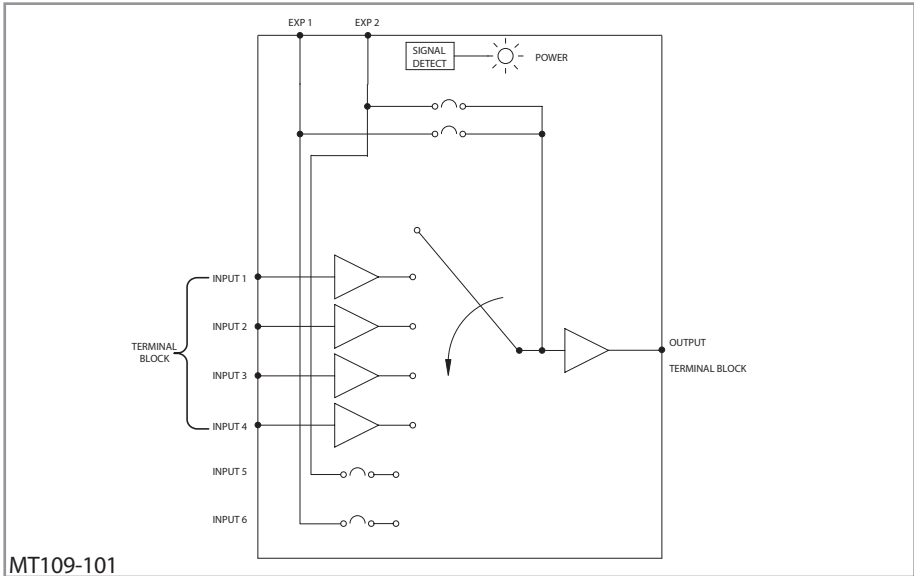
Inputs/Outputs	MT109-101 4-in 1-out balanced
Input Connectors	terminal block
Output Connectors	terminal block
Signal Detect	✓
Expansion	2-in or 2-out
Slots	1



Terminal block connectors included

RS-232 Control Commands

[CnUi], [GkUi], [VERCnUi], [ONmCnUi], [OFFmCnUi], [SW], [WRCnCoCpCq...GkUi], [RDGkUi], [CLRGkUi]



Design Tips

- Switches between four balanced stereo audio sources, and connects one to a single receiving device
- Output or additional input through internal cable bus, allows multiple cards to be “ganged”
- May also be used for mono audio switching
- Switching is controlled via RS-232 commands through the MultiTasker enclosure, or through front panel control with a push-button front panel