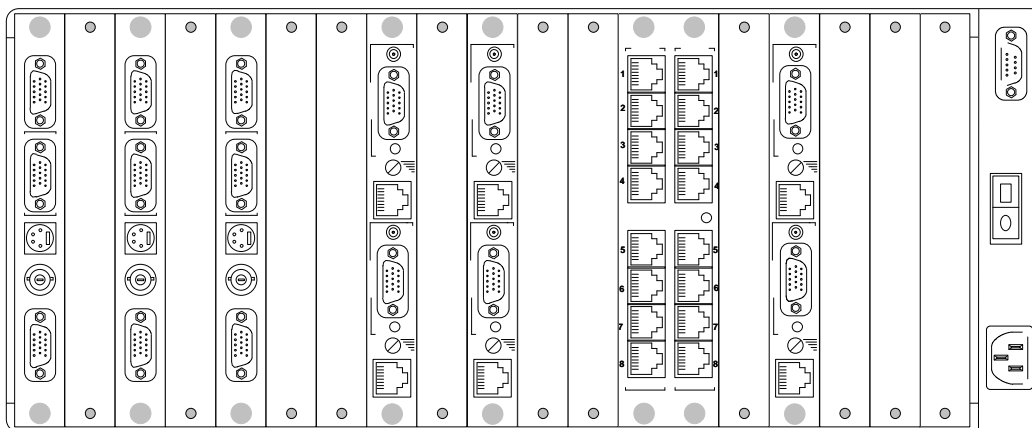


MultiTasker

Design Guide

Effective September 1, 2007



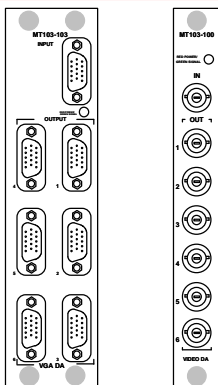
1

Step

Select cards to fit your AV system.

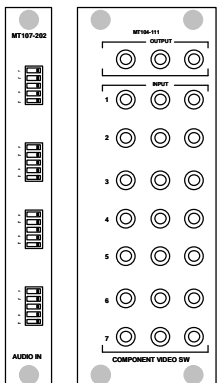
Audio

Distribution
Switching
Matrix
Mixers



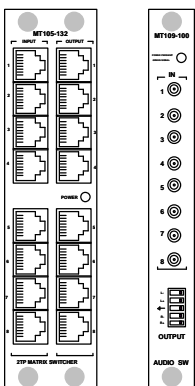
Video

Distribution
Switching
Matrix
Scaling
Scan conversion



CAT5

Distribution
Switching
Matrix



HDTV

Distribution
Switching
Matrix

Control

Relay
IR
RS-232
IP
Contact closures
I/O Ports
Wall mount
Table mount

Converters

VGA to CAT5
CAT5 to VGA
RGBHV to RGsB
Video to CAT5
HDTV to CAT5
Audio to CAT5

2

Step

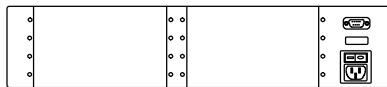
Select enclosure to fit your selected cards and to provide needed front panel functionality.

Enclosures + Front Panels

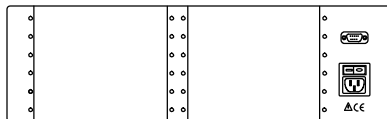
4 Slots
8 Slots
12 Slots
19 Slots
20 Slots



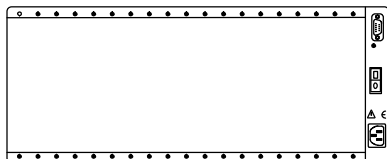
MT102-141
MT102-142



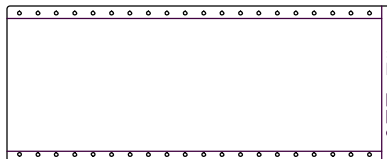
MT102-181 MT102-185
MT102-182 MT102-186
MT102-184 MT102-188



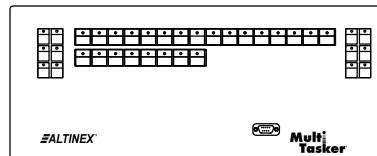
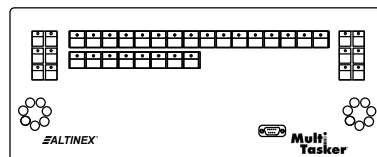
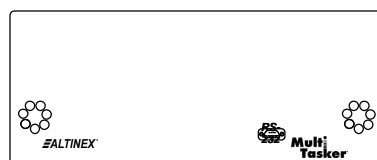
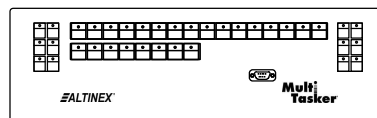
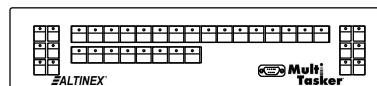
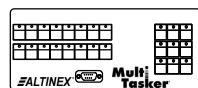
MT102-121 MT102-123
MT102-122 MT102-124



MT102-191
MT102-192
MT102-198
MT102-199



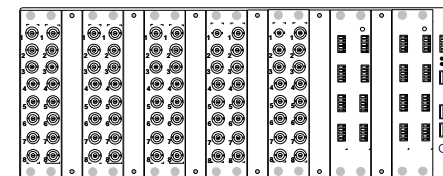
MT102-201 MT102-202
MT102-203 MT102-204



3

Step

Place order for selected components.

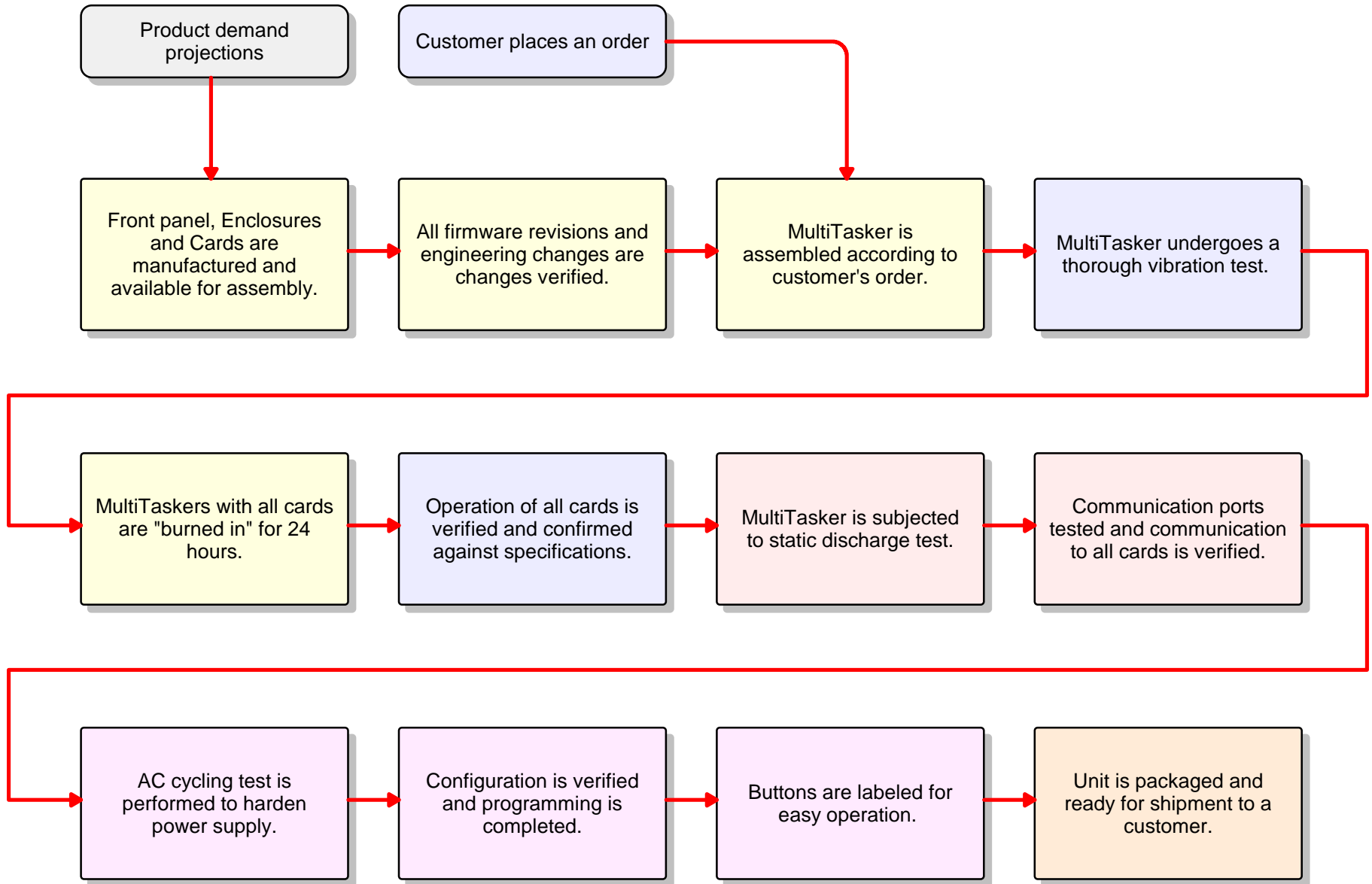


Fully assembled and tested MultiTasker shipped in 7-8 working days.

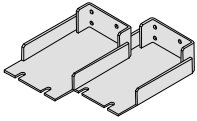
EALTINEX

Phone: 714-990-2300 Fax: 714-990-3303

MultiTasker manufacturing process

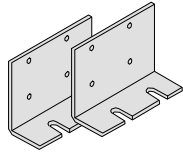


ACCESORIES



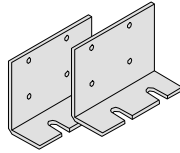
MB1004RM

4 slot enclosure rack
mount ears kit (2U)
Not included with enclosure



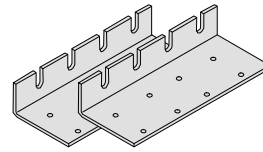
MB1003RM

8 slot enclosure rack
mount ears kit (2U)
Included with enclosure



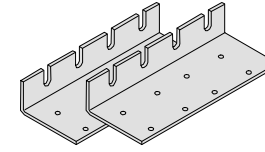
MB1007MR

12 slot enclosure rack
mount ears kit (3U)
Included with enclosure



MB1002MR

19 slot enclosure rack
mount ears kit
Included with enclosure



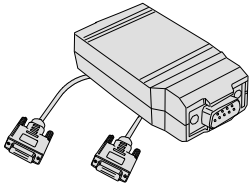
MB1008MR

20 slot enclosure rack
mount ears kit
Included with enclosure



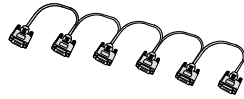
MT200-101

Empty card slot cover
(1pc)
Included with enclosure



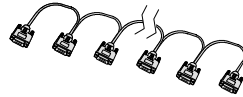
AC301-201

TCP/IP TO RS-232
adapter and web server



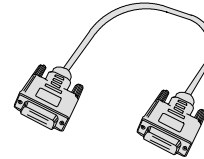
CB901-100

18", 9 pin loop cable for 5
enclosures (19slot)



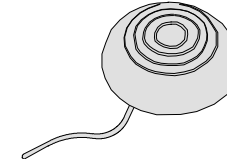
CB901-101

18", 9 pin loop cable for 7
enclosures (19slot)



RC5201CC

12 ft, 9 pin M/F RS-232
cable
Included with enclosure



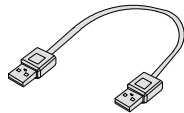
RC5205CV

Judge override button for
system shutdown
50ft cable



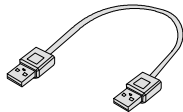
RC5211MT

6ft, 9 pin M to 5 terminal
block RS-232 cable
(20 slot)



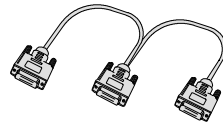
RC5212MT

6FT, USB A-A cable
(20 slot)



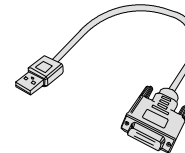
RC5213MT

18" USB A-A loop cable
(20 slot)



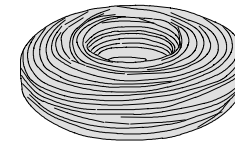
RC5215MT

2 ft, 9 pin RS-232 loop
cable (2 enclosures)



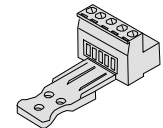
RC5217MT

15", 9 pin (M) RS-232 loop
cable (20 slot to 4,8,12,19)



CB482-000

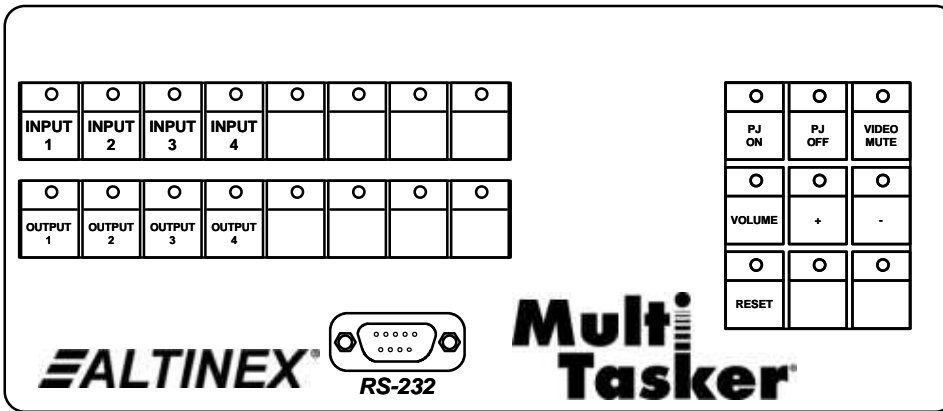
5 conductor AWG24
control cable (500ft)



AC101-302

5 pin terminal block
audio / control (1pc)
Included with enclosure

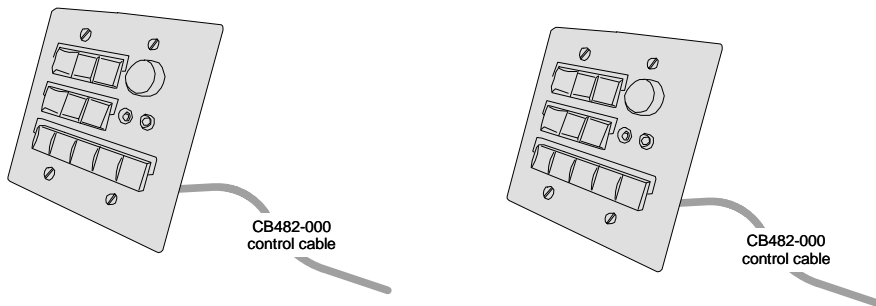
FRONT PANEL PROGRAMMING



All enclosures are shipped with standard programming for front panels. Custom programming and labeling of front panels is available.

- * Part #: MT-PROGRAMMING
- * Each button can perform multiple commands
- * Custom button labeling included
- * Ready to use out of the box
- * 100% tested on a system level

WALL MOUNT CONTROLLERS



DS801-301

Wall mount controller
with 11 buttons.
(Master)

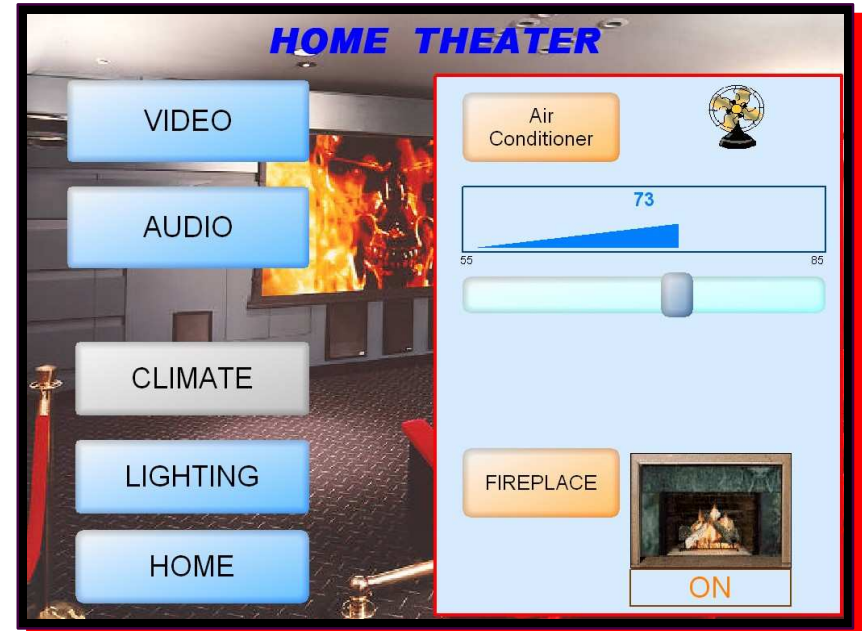
DS801-302

Wall mount controller
with 11 buttons.
(Slave)

PC USER INTERFACE

Graphical User Interface (GUI) is can be designed for all MultiTasker configurations. GUI interface is designed to operate on a PC through RS-232 or TCP/IP ports. User defines functions we do the rest. The completed source code is provided to customer and compiled software is available as a stand alone application. User interface is designed using AVSnap software.

- * Part #: AVSNAP
- * Up to 5 pages for one low price
- * Custom screens, layout and buttons
- * Source code provided for easy modifications
- * Simple field update and modifications
- * Customer logos and artwork
- * Operates as a stand alone program (win XP/2000/2003/Vista)



ALTINEX

Phone: 714-990-2300 Fax: 714-990-3303

PRODUCTS LISTING

ENCLOSURES

MT102-121 12 SLOTS MULTITASKER (36 BUTTONS)
MT102-122 12 SLOTS MULTITASKER (36 BUTTONS) 2 x PWR
MT102-123 12 SLOTS MULTITASKER (NO BUTTONS)
MT102-124 12 SLOTS MULTITASKER (NO BUTTONS) 2 x PWR
MT102-141 4 SLOTS MULTITASKER (25 BUTTONS)
MT102-142 4 SLOTS MULTITASKER (NO BUTTONS)
MT102-181 8 SLOTS MULTITASKER (36 BUTTONS)
MT102-182 8 SLOTS MULTITASKER (NO BUTTONS)
MT102-184 8 SLOTS MULTITASKER (14 BUTTONS)
MT102-185 8 SLOTS MULTITASKER (36 BUTTONS) 2 x PWR
MT102-186 8 SLOTS MULTITASKER (NO BUTTONS) 2 x PWR
MT102-188 8 SLOTS MULTITASKER (14 BUTTONS) 2 x PWR
MT102-191 19 SLOTS MULTITASKER (36 BUTTONS)
MT102-192 19 SLOTS MULTITASKER (NO BUTTONS)
MT102-198 19 SLOTS MULTITASKER (NO BUTTONS) 2 x PWR
MT102-199 19 SLOTS MULTITASKER (36 BUTTONS) 2 x PWR
MT102-201 20 SLOTS MULTITASKER (36 BUTTONS)
MT102-202 20 SLOTS MULTITASKER (NO BUTTONS)
MT102-203 20 SLOTS MULTITASKER (36 BUTTONS) 2 x PWR
MT102-204 20 SLOTS MULTITASKER (NO BUTTONS) 2 x PWR

VIDEO DAs

MT103-100 1x6 C/S-VID/COMP VIDEO DA (OUT ON/OFF) (1 SLOT)
MT103-102 1x3 VGA-UXGA DA (OUT ON/OFF) (1 SLOT)
MT103-103 1x6 VGA-UXGA DA (2 SLOTS)
MT103-105 1x6 VIDEO DA (BNC)1 SLOT
MT103-107 1x3 VGA-UXGA DA (1 SLOT)
MT103-108 1x6 VGA-TYPE DA (2 SLOTS)
MT103-113 QUAD VIDEO GLI (BNC IN/OUT) (1 SLOT)
MT103-114 DUAL VGA LINE DRIVER (1 SLOT)
MT103-117 1x6 S- VIDEO DA (1 SLOT)
MT103-118 DUAL 1x3 S-VIDEO/ 1x3 VIDEO DAs (1 SLOT)
MT103-121 1x6 CAT-5 DA, 4 CHANNELS (1 SLOT)
MT103-122 VGA + AUDIO TO CAT5 TRANSMITTER (1 SLOT)
MT103-123 CAT5 TO VGA + AUDIO RECEIVER (1 SLOT)
MT103-127 VGA TO 5 BNC COMPUTER INTERFACE (1 SLOT)
MT103-128 VGA TO 3 BNC LINE DRIVER W/ LOOP (1 SLOT)

VIDEO SWITCHERS

MT104-102 6x1 VGA-UXGA SWITCHER (2 SLOTS)
MT104-103 6x1 VIDEO SWITCHER (1 SLOT)
MT104-104 6 IN VGA-UXGA SWITCHER EXPAN (2 SLOTS)
MT104-105 3x1 VGA-UXGA SWITCHER (1 SLOT)
MT104-108 6x1 S- VIDEO SWITCHER (1 SLOT)
MT104-109 2x1 + 1x2 VGA-UXGA SWITCHER/DA (1 SLOT)
MT104-110 8x1 CAT5 SWITCHER (4TP) (1 SLOT)
MT104-111 7x1 YPbPr SWITCHER (3 SLOTS)
MT104-113 7x1 AUDIO STEREO SWITCHER (2 SLOTS)
MT104-130 2x1 VGA-UXGA TO CAT5 SWITCHER (4TP) (1 SLOT)

SMALL MATRIX SWITCHERS

MT105-100 16x8 VIDEO MATRIX SWITCHER (3 SLOTS)
MT105-102 8x8 VIDEO MATRIX SWITCHER (2 SLOTS)
MT105-106 6x2, 4x4, 2x6 VIDEO MATRIX SWITCHER (1 SLOT)
MT105-107 6x2, 4x4, 2x6 SYNC MATRIX SWITCHER (1 SLOT)
MT105-108 6x2, 4x4, 2x6 VGA-UXGA MATRIX SWITCHER (2 SLOTS)
MT105-109 6x2, 4x4, 2x6 S-VIDEO MATRIX SWITCHER (1 SLOT)
MT105-110 16x8 SYNC MATRIX SWITCHER (3 SLOTS)
MT105-111 8x8 SYNC MATRIX SWITCHER (2 SLOTS)
MT105-112 16x16 VIDEO MATRIX SWITCHER (4 SLOTS)
MT105-115 8x16 VIDEO MATRIX SWITCHER (3 SLOTS)
MT105-118 8x16 SYNC MATRIX SWITCHER (3 SLOTS)
MT105-119 16x16 SYNC MATRIX SWITCHER (4 SLOTS)
MT105-120 8x8 VGA-UXGA MATRIX SWITCHER (4 SLOTS)
MT105-121 8x4 VGA-UXGA MATRIX SWITCHER (3 SLOTS)
MT105-130 8x8 CAT5 MATRIX SWITCHER (4TP) (2 SLOTS)
MT105-131 8x8 CAT5 MATRIX SWITCHER (3TP) (2 SLOTS)
MT105-132 8x8 CAT5 MATRIX SWITCHER (2TP) (2 SLOTS)

AUDIO DAs

MT108-100 1x3 STEREO AUDIO DA (RCA) (2 SLOTS)
MT108-103 1x4 STEREO AUDIO DA (TB) (1 SLOT)

AUDIO SWITCHERS

MT109-100 8x1 STEREO AUDIO SWITCHER (3.5MM) (1 SLOT)
MT109-101 4x1 STEREO AUDIO SWITCHER (TB) (1 SLOT)
MT109-102 1x1 STEREO AUDIO MIXER (TB) (1 SLOT)

AUDIO MATRIX SWITCHERS

MT110-102 16x8 AUDIO MONO MATRIX SWITCHER (2 SLOTS)
MT110-103 8x8 AUDIO MONO MATRIX SWITCHER (2 SLOTS)
MT110-104 16x16 AUDIO STEREO MATRIX SWITCHER (4 SLOTS)

VIDEO PROCESSORS

MT106-100 VGA-XGA TO NTSC/PAL SCAN REDUCER CARD(1 SLOT)
MT106-103 VIDEO/S-VIDEO/YPbPr TO SCALED VGA-UXGA (1 SLOT)

LARGE MATRIX SWITCHERS

MT107-100 64x64 UNIVERSAL VIDEO MATRIX ENGINE (2 SLOTS)
MT107-101 16x16 VIDEO SWITCH MODULE
MT107-102 16x16 AUDIO SWITCH MODULE
MT107-103 64x64 UNIVERSAL AUDIO MATRIX ENGINE (2 SLOTS)
MT107-104 64x64 UNIVERSAL VIDEO MATRIX ENGINE (2 SLOTS)
MT107-105 16x16 CAT5 MATRIX ENGINE (2 SLOTS)
MT107-201 8 VIDEO / SYNC INPUTS (1 SLOT)
MT107-202 8 AUDIO INPUTS (TB) (1 SLOT)
MT107-203 8 CAT5 INPUTS (1TP) (1 SLOT)
MT107-212 2 CAT5 INPUTS +AUDIO OUT (4TP) (1 SLOT)
MT107-301 8 VIDEO / SYNC OUTPUTS (1 SLOT)
MT107-302 8 AUDIO OUTPUTS (TB) (1 SLOT)
MT107-303 8 CAT5 OUTPUTS (1TP) (1 SLOT)
MT107-312 2 CAT5 OUTPUTS+AUDIO OUT (4TP) (1 SLOT)

CONTROL

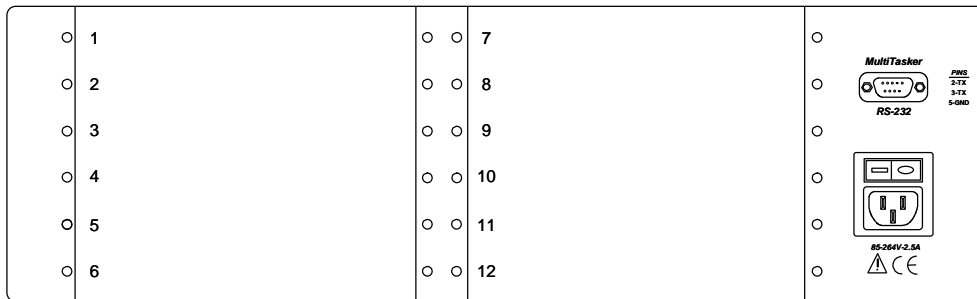
MT112-100 24 I/O PORTS + LED DRIVE (TB) (1 SLOT)
MT112-104 2 RS-232, 6 RELAYS, 4 IR, 4 I/O PORTS (TB) (1 SLOT)
MT112-105 1x3 POWER DA +CURRENT SENSOR (USA) (2 SLOTS)
MT112-106 1x6 POWER DA +CURRENT SENSOR (USA) (4 SLOTS)
MT112-107 1x3 POWER DA +CURRENT SENSOR (IEC) (2 SLOTS)
MT112-108 1x6 POWER DA +CURRENT SENSOR (IEC) (4 SLOTS)

CAT5

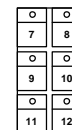
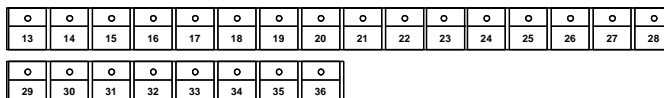
MT115-110 DUAL VGA-UXGA + AUDIO CAT5 TRANSMITTER (1 SLOT)
MT115-111 DUAL VGA-UXGA + AUDIO CAT5 RECIEVER (1 SLOT)

EALINEX

Phone: 714-990-2300 Fax: 714-990-3303

**Features:**

- RS-232 controlled
- Programmable buttons
- Systems are factory assembled
- User definable macros
- Pre-labeled buttons
- RS-232 cable included (RC5201CC)
- Rack mount ears included (MB1007MR)



MultiTasker

ALTIMEX®

12 SLOTS, 36 BUTTONS, RS-232 PORT (45W POWER)

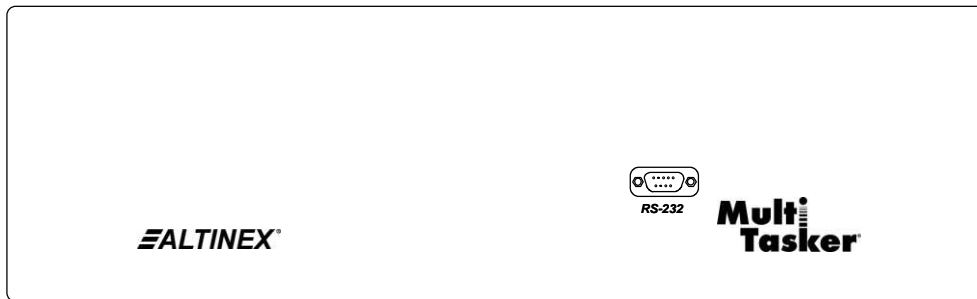
MT102-121

12 SLOTS, 36 BUTTONS, RS-232 PORT (115W POWER)

MT102-122

**Features:**

- RS-232 controlled
- Systems are factory assembled
- User definable macros
- RS-232 cable included (RC5201CC)
- Rack mount ears included (MB1007MR)



MultiTasker

ALTIMEX®

12 SLOTS, NO BUTTONS, RS-232 PORT (45W POWER)

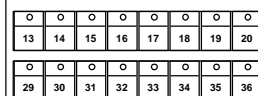
MT102-123

12 SLOTS, NO BUTTONS, RS-232 PORT (115W POWER)

MT102-124

**Features:**

- RS-232 controlled
- Easy to use
- Keyboard lockout
- Programmable keys
- Pre-labeled buttons
- RS-232 cable
- Optional rack mount ears (MB1004RM)



ALTIMEX®



MultiTasker

4 SLOTS, 25 BUTTONS, RS-232 PORT (45W POWER) **MT102-141**

**Features:**

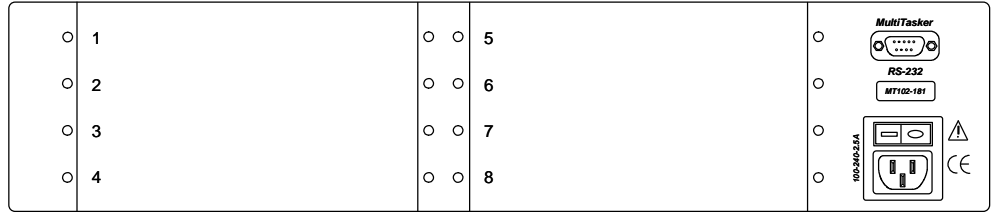
- RS-232 controlled
- Easy to use
- 100 macros
- Easy to install
- RS-232 cable
- Optional rack mount ears (MB1004RM)

ALTIMEX®



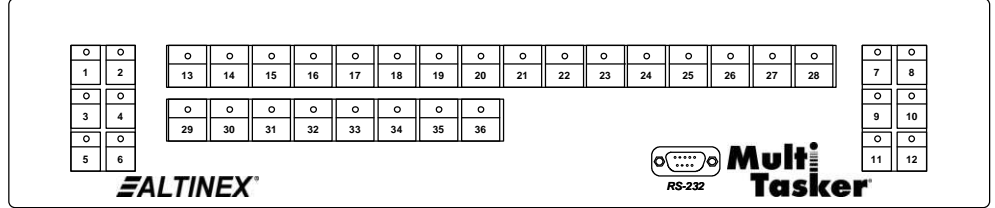
MultiTasker

4 SLOTS, NO BUTTONS, RS-232 PORT (45W POWER) **MT102-142**



Features:

- RS-232 controlled
- Programmable buttons
- Systems are factory assembled
- User definable macros
- Pre-labeled buttons
- RS-232 cable included (RC5201CC)
- Rack mount ears included (MB1003MR)

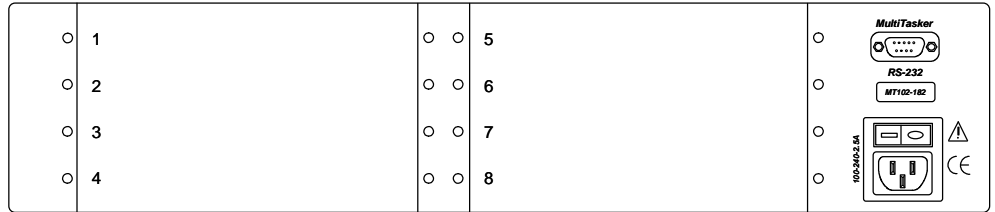


8 SLOTS, 36 BUTTONS, RS-232 PORT (45W POWER)

MT102-181

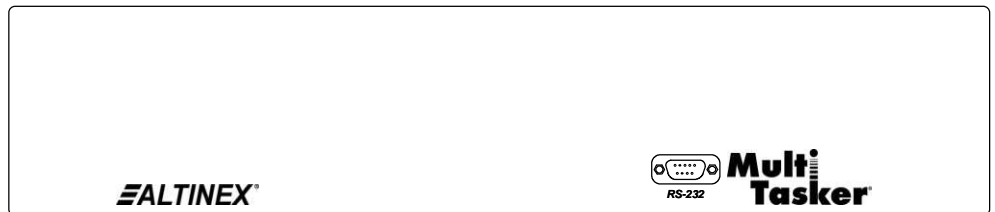
8 SLOTS, 36 BUTTONS, RS-232 PORT (90W POWER)

MT102-185



Features:

- RS-232 controlled
- Systems are factory assembled
- User definable macros
- RS-232 cable included (RC5201CC)
- Rack mount ears included (MB1003MR)

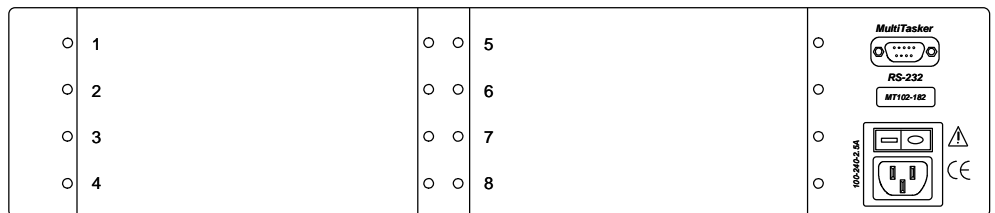


8 SLOTS, RS-232 PORT (45W POWER)

MT102-182

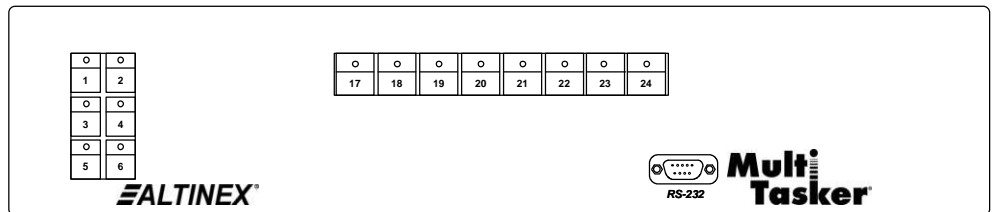
8 SLOTS, RS-232 PORT (90W POWER)

MT102-186



Features:

- RS-232 controlled
- Programmable buttons
- Systems are factory assembled
- User definable macros
- Pre-labeled buttons
- RS-232 cable included (RC5201CC)
- Rack mount ears included (MB1003MR)



8 SLOTS, 14 BUTTONS, RS-232 PORT (45W POWER)

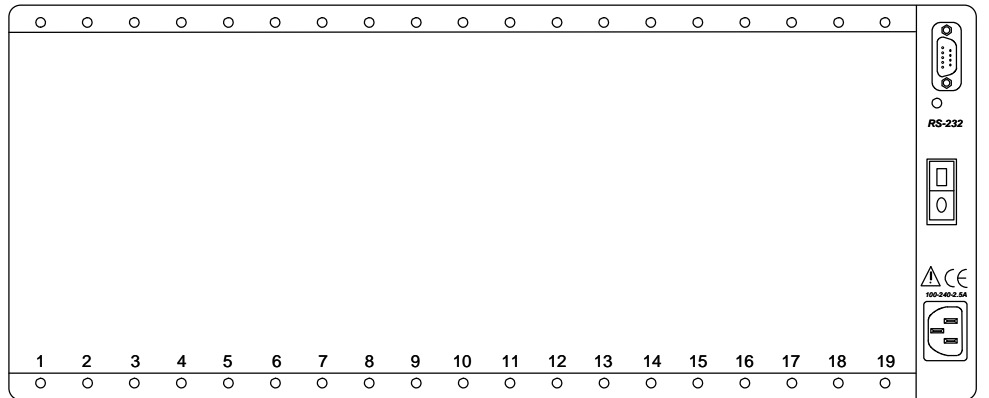
MT102-184

8 SLOTS, 14 BUTTONS, RS-232 PORT (90W POWER)

MT102-188

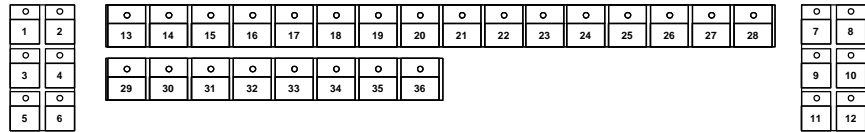


18 SLOT
 RS-232 BACK
 RS-232 FRONT
 POWER
 MT102-191



Features:

- RS-232 controlled
- Programmable buttons
- Systems are factory assembled
- User definable macros
- Pre-labeled buttons
- RS-232 cable included (RC5201CC)
- Rack mount ears included (MB1002MR)



EALTINEX®



RS-232

**Multi
Tasker**

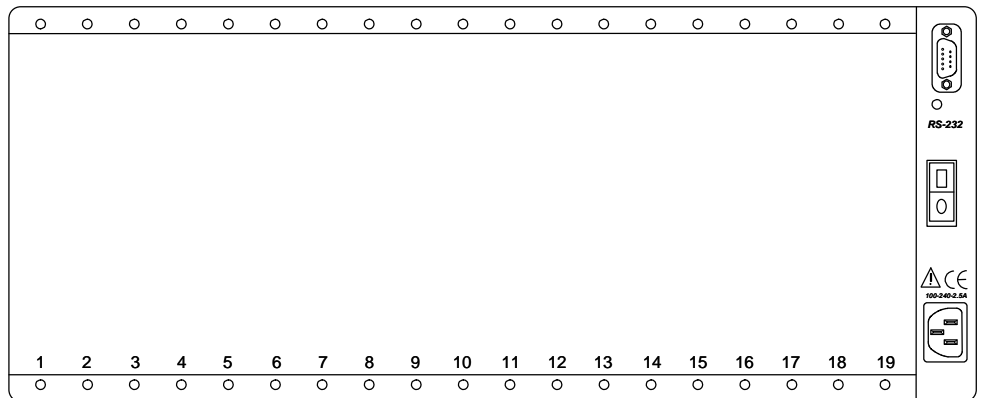
19 SLOTS, 36 BUTTONS, RS-232 PORT (115W POWER)

19 SLOTS, 36 BUTTONS, RS-232 PORT (230W POWER)

**MT102-191
MT102-199**



19 SLOT
 RS-232 BACK
 RS-232 FRONT
 POWER
 MT102-192



Features:

- RS-232 controlled
- Programmable buttons
- Systems are factory assembled
- User definable macros
- Pre-labeled buttons
- RS-232 cable included (RC5201CC)
- Rack mount ears included (MB1002MR)



EALTINEX®



RS-232

**Multi
Tasker**

19 SLOTS, NO BUTTONS, RS-232 PORT (115W POWER)

19 SLOTS, NO BUTTONS, RS-232 PORT (230W POWER)

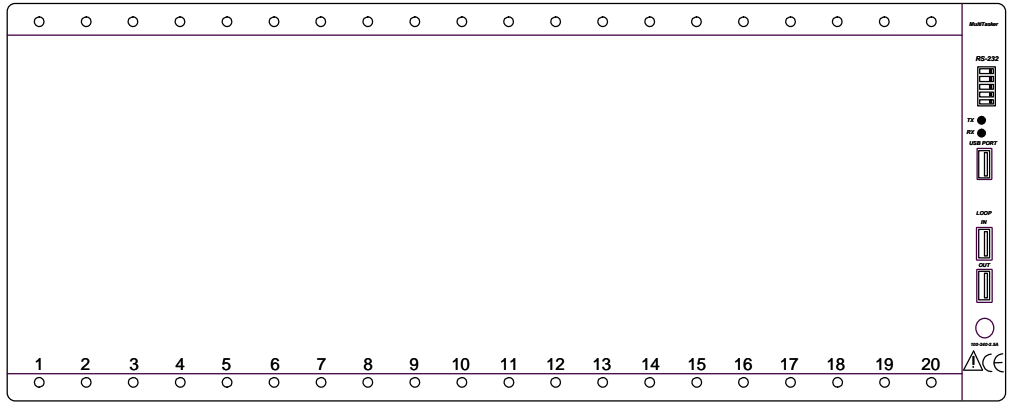
**MT102-192
MT102-198**





Features:

- RS-232 controlled
- Programmable buttons
- Systems are factory assembled
- User definable macros
- Pre-labeled buttons
- RS-232 cable included (RC5201CC)
- Rack mount ears included (MB1008MR)



EALTINEX



Multi Tasker

20 SLOTS, 36 BUTTONS, RS-232 PORT (115W POWER)

MT102-201

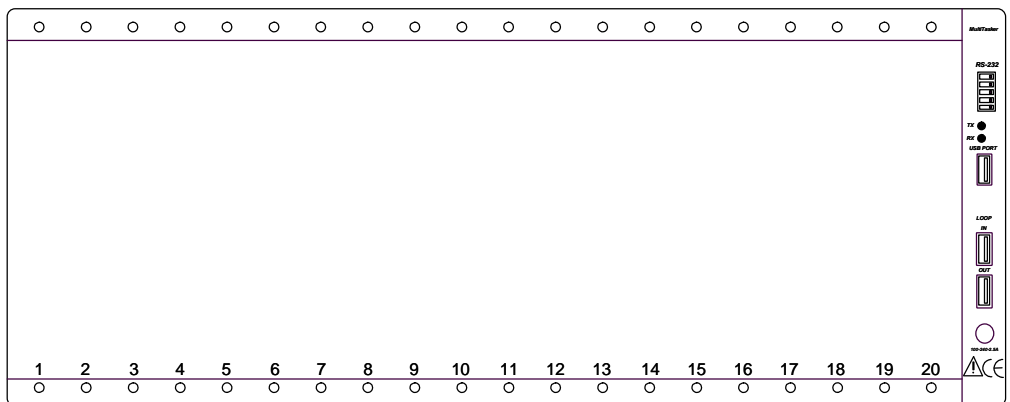


20 SLOTS, 36 BUTTONS, RS-232 PORT (230W POWER)

MT102-203

Features:

- RS-232 controlled
- Systems are factory assembled
- User definable macros
- RS-232 cable included (RC5201CC)
- Rack mount ears included (MB1008MR)



EALTINEX



Multi Tasker

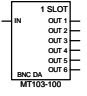
20 SLOTS, NO BUTTONS (115W POWER)

MT102-202



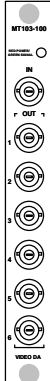
20 SLOTS, NO BUTTONS, RS-232 PORT (230W POWER)

MT102-204



1 SLOT
IN
OUT 1
OUT 2
OUT 3
OUT 4
OUT 5
OUT 6
BNC DA
MT103-100

VIDEO



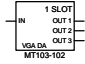
MT103-100
IN
OUT 1
OUT 2
OUT 3
OUT 4
OUT 5
OUT 6
VIDEO DA

Features:

- Component (YPbPr) compatible
- Ground loop isolated input
- Signal present LED
- Output ON/OFF control
- 75 ohm input / output
- DC coupled


1-IN 6-OUT C/ S-VID / COMPONENT VIDEO DA

MT103-100



1 SLOT
IN
OUT 1
OUT 2
OUT 3
VGA DA
MT103-102

VGA



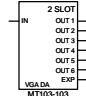
MT103-102
IN
OUT 1
OUT 2
OUT 3
VGA DA

Features:

- XGA through UXGA signal format
- HDTV compatible video channels
- Signal present LED (sync detect)
- Output ON/OFF control
- Video mute capability
- DC coupled
- Plug and Play Compatible

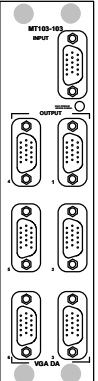
1-IN 3-OUT VGA - UXGA DA

MT103-102



2 SLOTT
IN
OUT 1
OUT 2
OUT 3
OUT 4
OUT 5
OUT 6
VGA DA
EXP
MT103-103

VGA



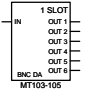
MT103-103
INPUT
OUTPUT
VGA DA

Features:

- XGA through UXGA signal format
- HDTV compatible video channels
- Signal present LED (sync detect)
- Output ON/OFF control
- Video mute capability
- DC coupled
- Plug and Play Compatible
- Use MT103-109 to expand this DA to 12 outputs

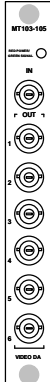
1-IN 6-OUT VGA-UXGA DA

MT103-103



1 SLOT
IN
OUT 1
OUT 2
OUT 3
OUT 4
OUT 5
OUT 6
BNC DA
MT103-105

VIDEO



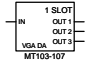
MT103-105
IN
OUT 1
OUT 2
OUT 3
OUT 4
OUT 5
OUT 6
VIDEO DA

Features:

- Component (YPbPr) compatible
- Ground loop isolated input
- Signal present LED
- 75 ohm input / output
- DC coupled


1-IN 6-OUT C / S-VID / COMPONENT VIDEO DA

MT103-105



1 SLOT
IN
OUT 1
OUT 2
OUT 3
VGA DA
MT103-107

VGA



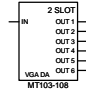
MT103-107
IN
OUT 1
OUT 2
OUT 3
VGA DA

Features:

- XGA through UXGA signal format
- HDTV compatible video channels
- Signal present LED (sync detect)
- DC coupled

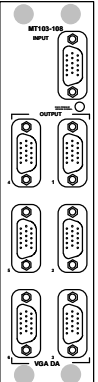
1-IN 3-OUT VGA - UXGA DA

MT103-107



2 SLOTT
IN
OUT 1
OUT 2
OUT 3
OUT 4
OUT 5
OUT 6
VGA DA
MT103-108

VGA



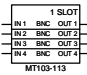
MT103-108
INPUT
OUTPUT
VGA DA

Features:

- XGA through UXGA signal format
- HDTV compatible video channels
- Signal present LED (sync detect)
- DC coupled
- Plug and Play Compatible

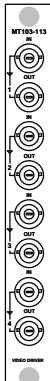
1-IN 6-OUT VGA-UXGA

MT103-108



1 SLOT
IN 1 BNC OUT 1
IN 2 BNC OUT 2
IN 3 BNC OUT 3
IN 4 BNC OUT 4
MT103-113

VIDEO



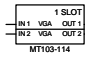
MT103-113
IN
OUT 1
OUT 2
OUT 3
OUT 4
VIDEO DRIVER

Features:

- Component (YPbPr) compatible
- Ground loop isolated inputs
- 75 ohm input / output
- DC coupled
- Long cable drive


QUAD C / S-VID / COMPONENT VIDEO GLI

MT103-113



1 SLOT
IN 1 VGA OUT 1
IN 2 VGA OUT 2
MT103-114

VGA



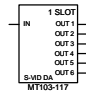
MT103-114
IN
OUT 1
OUT 2
VGA DA

Features:

- Ground loop isolated input
- XGA through UXGA signal format
- HDTV compatible video channels
- Signal present LED (sync detect)
- DC coupled

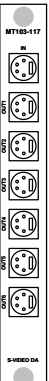
DUAL VGA-UXGA LINE DRIVER

MT103-114



1 SLOT
IN
OUT 1
OUT 2
OUT 3
OUT 4
OUT 5
OUT 6
S-VID DA
MT103-117

S-VIDEO



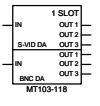
MT103-117
IN
OUT 1
OUT 2
OUT 3
OUT 4
OUT 5
OUT 6
S-VIDEO DA

Features:

- NTSC / PAL compatible
- Long cable drive
- Preserves signal integrity
- DC coupled
- Plug and Play Compatible

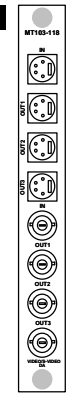
1-IN 6-OUT S- VIDEO DA

MT103-117



1 SLOT
IN
OUT 1
OUT 2
OUT 3
S-VID DA
OUT 1
OUT 2
OUT 3
BNC DA
MT103-118

VIDEO/S-VID



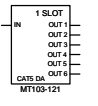
MT103-118

Features:

- NTSC / PAL compatible
- Long cable drive
- Preserves signal integrity
- DC coupled
- Plug and Play Compatible

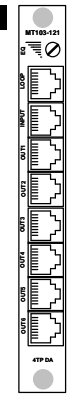
1-IN 3-OUT S-VIDEO/ 1-IN 3-OUT VIDEO DA

MT103-118



1 SLOT
IN
OUT 1
OUT 2
OUT 3
OUT 4
OUT 5
OUT 6
CAT5 DA
OUT 6
MT103-121

CAT5



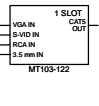
MT103-121

Features:

- NTSC / PAL compatible
- HDTV compatible
- Preserves signal integrity
- Loop output for audio signal
- Up to 400ft signal drive
- VGA through UXGA resolution
- EQ control for input

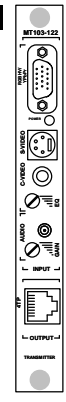
1-IN 6-OUT CAT-5 DA, 4 CHANNELS

MT103-121



1 SLOT
VGA IN
S-VID IN
RCA IN
3.5 mm IN
MT103-122

VGA-CAT5



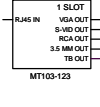
MT103-122

Features:

- NTSC / PAL compatible
- HDTV compatible
- Signal present LED
- Loop output for audio signal
- Up to 400ft signal drive
- VGA through UXGA resolution
- EQ control for output
- Audio gain control


VGA/VIDEO/S-VIDEO+ AUDIO TO CAT5 TRANSMITTER

MT103-122



1 SLOT
RJ45 IN
VGA OUT
S-VID OUT
RCA OUT
3.5 mm OUT
TB OUT
MT103-123

CAT5-VGA



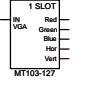
MT103-123

Features:

- NTSC / PAL compatible
- HDTV compatible
- Signal present LED
- Loop output for audio signal
- Up to 400ft signal drive
- VGA through UXGA resolution
- EQ control for output
- Balanced audio output

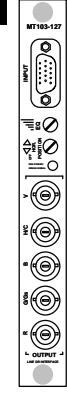
CAT5 TO VGA/VIDEO/S-VIDEO+AUDIO RECEIVER

MT103-123



1 SLOT
IN
VGA
Red
Green
Blue
Hsync
Vsync
MT103-127

INTERFACE



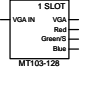
MT103-127

Features:

- VGA through UXGA resolution
- HDTV video compatible
- Signal present LED
- Horizontal position control
- EQ control for output
- RGBHV / RGsB / RGSB outputs


VGA TO 5 BNC COMPUTER INTERFACE

MT103-127



1 SLOT
VGA IN
VGA
Red
Green
Blue
MT103-128

INTERFACE



MT103-128

Features:

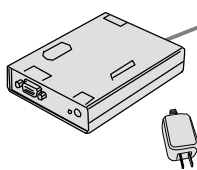
- VGA through UXGA resolution
- HDTV video compatible
- Signal present LED
- Horizontal position control
- EQ control for output
- RGSB output
- Local monitor buffered output

VGA TO 3BNC INTERFACE WITH LOCAL MONITOR OUTPUT

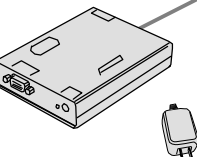
MT103-128

CAT5

MT115

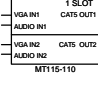


TP115-110
VGA-UXGA and HDTV + Audio CAT5 transmitter




TP115-111
VGA-UXGA and HDTV + Audio CAT5 receiver

Compatible stand alone CAT5 receiver and transmitter.



1 SLOT
VGA IN1
AUDIO IN1
VGA IN2
AUDIO IN2
CAT5 OUT1
CAT5 OUT2
MT115-110

CAT5



MT115-110

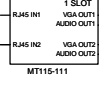
Features:

- VGA through UXGA resolutions
- Plug and Play inputs
- Signal present LED
- EQ control
- Up to 400ft cable run
- Mono audio signal

(Do not use with DA1930/31)

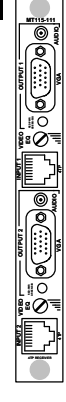
DUAL VGA-UXGA + AUDIO CAT5 TRANSMITTER

MT115-110



1 SLOT
RJ45 IN1
VGA OUT1
AUDIO OUT1
RJ45 IN2
VGA OUT2
AUDIO OUT2
MT115-111

CAT5



MT115-111

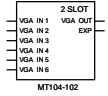
Features:

- XGA through UXGA signal format
- HDTV compatible video channels
- Signal present LED (sync detect)
- Output ON/OFF control
- Video mute capability
- DC coupled
- Plug and Play Compatible
- Mono audio signal

(Do not use with DA1930/31)

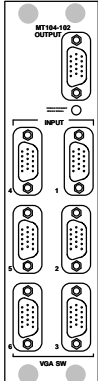
DUAL VGA-UXGA + AUDIO CAT5 RECEIVER

MT115-111



VGA

2 SLOT
VGA IN 1
VGA IN 2
VGA IN 3
VGA IN 4
VGA IN 5
VGA IN 6
VGA OUT
EXP
MT104-102



MT104-102

OUTPUT

INPUT

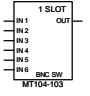
VGA SW

Features:

- XGA through UXGA signal format
- Component (YPbPr) compatible
- Signal present LED
- Plug and Play Compatible
- 75 ohm input / output
- DC coupled
- Use MT104-104 to expand this switcher to 12 outputs

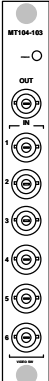
6-IN 1-OUT VGA-UXGA SWITCHER

MT104-102



VIDEO

1 SLOT
IN 1
IN 2
IN 3
IN 4
IN 5
IN 6
IN 6 RCA SW
OUT
MT104-103



MT104-103

OUT

INPUT

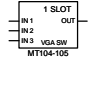
VGA SW

Features:

- NTSC / PAL compatible
- Component (YPbPr) compatible
- Output ON/OFF control
- 75 ohm input / output
- DC coupled
- High bandwidth for RGB signals

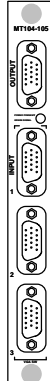
6-IN 1-OUT C / S-VID / COMPONENT VIDEO SWITCHER

MT104-103



VGA

1 SLOT
IN 1
IN 2
IN 3
VGA SW
OUT
MT104-105



MT104-105

OUTPUT

INPUT

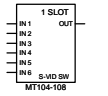
VGA SW

Features:

- XGA through UXGA signal format
- HDTV compatible video channels
- Output ON/OFF control
- Video mute capability
- DC coupled
- Plug and Play Compatible

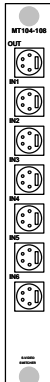
3-IN 1-OUT VGA - UXGA SWITCHER

MT104-105



S-VIDEO

1 SLOT
IN 1
IN 2
IN 3
IN 4
IN 5
IN 6
S-VID SW
OUT
MT104-108



MT104-108

OUT

INPUT

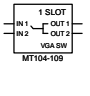
VGA SW

Features:

- NTSC / PAL compatible
- Long cable drive
- Preserves signal integrity
- DC coupled
- Plug and Play Compatible

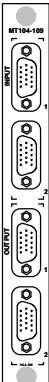
6-IN 1-OUT S-VIDEO SWITCHER

MT104-108



VGA

1 SLOT
IN 1
IN 2
OUT 1
OUT 2
VGA SW
MT104-109



MT104-109

OUTPUT

INPUT

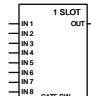
VGA SW

Features:

- XGA through UXGA signal format
- HDTV compatible video channels
- 1x2 DA on the output
- DC coupled


2-IN 1-OUT VGA-UXGA SWITCHER WITH 1X2 DA

MT104-109



CAT5

1 SLOT
IN 1
IN 2
IN 3
IN 4
IN 5
IN 6
IN 7
IN 8
CAT5 SW
OUT
MT104-110



MT104-110

OUTPUT

INPUT

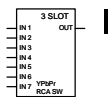
CAT5 SW

Features:

- VGA through UXGA resolution
- HDTV compatible
- Preserves signal integrity
- Up to 400ft signal drive
- NTSC / PAL compatible

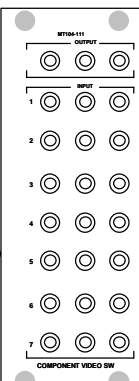
8 IN 1 OUT CAT5 SWITCHER, 4 CHANNELS

MT104-110



HDTV

3 SLOT
IN 1
IN 2
IN 3
IN 4
IN 5
IN 6
IN 7
YPbPr
RCA SW
OUT
MT104-111



MT104-111

OUTPUT

INPUT

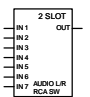
COMPONENT VIDEO SW

Features:

- Component (YPbPr) compatible
- RCA connectors for compatibility
- Long cable drive
- High video bandwidth
- AC coupled

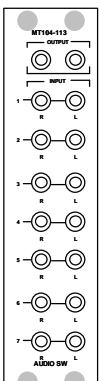
7-IN 1-OUT YPBPR SWITCHER

MT104-111



AUDIO

2 SLOT
IN 1
IN 2
IN 3
IN 4
IN 5
IN 6
IN 7
AUDIO LR
RCA SW
OUT
MT104-113



MT104-113

OUTPUT

INPUT

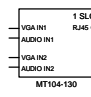
AUDIO SW

Features:

- Maintains signal integrity
- Stereo audio format
- RCA connectors for compatibility
- Signal present LED


7-IN 1-OUT STEREO AUDIO SWITCHER

MT104-113



VGA-CAT5

1 SLOT
VGA IN 1
AUDIO IN 1
VGA IN 2
AUDIO IN 2
OUT
R45 OUT
MT104-130



MT104-130

OUTPUT

INPUT

VGA SW

Features:

- VGA-UXGA
- Long cable drive
- Auto switching capability
- DC coupled
- Plug and Play Compatible

2-IN 1-OUT VGA+AUDIO TO CAT5 SWITCHER

MT104-130

SMALL MATRIX SWITCHERS MT105

VIDEO

Features:

- Ideal for RGB signals
- Ground loop isolated input
- 75 ohm input / output
- DC coupled
- Easy to control
- Component (YPbPr) compatible

16 X 8 VIDEO MATRIX SWITCHER

MT105-100

VIDEO

Features:

- Ideal for RGB signals
- Ground loop isolated input
- 75 ohm input / output
- DC coupled
- Easy to control
- Component (YPbPr) compatible

8 X 8 VIDEO MATRIX SWITCHER

MT105-102

VIDEO

Features:

- User configurable matrix size
- 2x6, 3x5, 4x4, 5x3, 6x2 matrix
- 75 ohm input / output
- Easy to control
- Component (YPbPr) compatible
- Easy to control
- DC coupled

6X2; 4X4; 2X6 VIDEO MATRIX SWITCHER

MT105-106

SYNC

Features:

- User configurable matrix size
- 2x6, 3x5, 4x4, 5x3, 6x2 matrix
- 75 ohm input / output
- Easy to control
- Designed for computer sync signals
- DC coupled

6X2; 4X4; 2X6 SYNC MATRIX SWITCHER

MT105-107

VGA

Features:

- User configurable matrix size
- XGA through UXGA signal format
- 2x6, 3x5, 4x4, 5x3, 6x2 matrix
- Power LED status
- DC coupled

6X2; 4X4; 2X6 VGA-UXGA MATRIX SWITCHER

MT105-108

S-VIDEO

Features:

- User configurable matrix size
- 2x4, 3x5, 4x4, 5x3, 6x2 matrix
- Easy to control
- Full bandwidth for signal integrity
- DC coupled

6X2; 4X4; 2X6 S-VIDEO MATRIX SWITCHER

MT105-109

SYNC

Features:

- Designed for sync signals
- Easy to control
- Compatible with all sync signals
- DC coupled
- Long cable drive

16 X 8 SYNC MATRIX SWITCHER

MT105-110

SYNC

Features:

- Designed for sync signals
- Easy to control
- Compatible with all sync signals
- DC coupled
- Long cable drive

8 X 8 SYNC MATRIX SWITCHER (BNC IN/OUT)

MT105-111

VIDEO

Features:

- Ideal for RGB signals
- Ground loop isolated input
- 75 ohm input / output
- AC/DC coupled
- Easy to control
- YPbPr compatible

16 X 16 VIDEO MATRIX SWITCHER

MT105-112

SMALL MATRIX SWITCHERS MT105

VIDEO

IN 1	OUT 1
IN 2	OUT 2
IN 3	OUT 3
IN 4	OUT 4
IN 5	OUT 5
IN 6	OUT 6
IN 7	OUT 7
IN 8	OUT 8
IN 9	OUT 9
IN 10	OUT 10
IN 11	OUT 11
IN 12	OUT 12
IN 13	OUT 13
IN 14	OUT 14
IN 15	OUT 15
IN 16	OUT 16

VIDEO SYNC MATRIX
MT105-115

Features:

- Ideal for RGB signals
- NTSC / PAL compatible
- 75 ohm input / output
- AC coupled
- Easy to control
- YPbPr compatible

8x16 VIDEO MATRIX SWITCHER CARD

MT105-115

SYNC

IN 1	OUT 1
IN 2	OUT 2
IN 3	OUT 3
IN 4	OUT 4
IN 5	OUT 5
IN 6	OUT 6
IN 7	OUT 7
IN 8	OUT 8
IN 9	OUT 9
IN 10	OUT 10
IN 11	OUT 11
IN 12	OUT 12
IN 13	OUT 13
IN 14	OUT 14
IN 15	OUT 15
IN 16	OUT 16

SYNC SYNC MATRIX
MT105-118

Features:

- Designed for sync signals
- Easy to control
- Compatible with all sync signals
- Ideal for H & V signals
- Long cable drive

8x16 SYNC MATRIX SWITCHER CARD

MT105-118

SYNC

IN 1	OUT 1
IN 2	OUT 2
IN 3	OUT 3
IN 4	OUT 4
IN 5	OUT 5
IN 6	OUT 6
IN 7	OUT 7
IN 8	OUT 8
IN 9	OUT 9
IN 10	OUT 10
IN 11	OUT 11
IN 12	OUT 12
IN 13	OUT 13
IN 14	OUT 14
IN 15	OUT 15
IN 16	OUT 16

SYNC SYNC MATRIX
MT105-119

Features:

- Designed for sync signals
- Easy to control
- Long cable drive
- Ideal for H & V signals

16x16 SYNC MATRIX SWITCHER CARD

MT105-119

VGA

IN 1	OUT 1
IN 2	OUT 2
IN 3	OUT 3
IN 4	OUT 4
IN 5	OUT 5
IN 6	OUT 6
IN 7	OUT 7
IN 8	OUT 8

VGA MATRIX
MT105-120

Features:

- Fully buffered outputs
- XGA through UXGA signals
- Easy to control matrix
- DC coupled

8X8 VGA-UXGA MATRIX SWITCHER

MT105-120

VGA

IN 1	OUT 1
IN 2	OUT 2
IN 3	OUT 3
IN 4	OUT 4
IN 5	OUT 5
IN 6	OUT 6
IN 7	OUT 7
IN 8	OUT 8

VGA MATRIX
MT105-121

Features:

- Fully buffered outputs
- XGA through UXGA signals
- Easy to control matrix
- DC coupled

8X4 VGA-UXGA MATRIX SWITCHER

MT105-121

CAT5

IN 1	OUT 1
IN 2	OUT 2
IN 3	OUT 3
IN 4	OUT 4
IN 5	OUT 5
IN 6	OUT 6
IN 7	OUT 7
IN 8	OUT 8

VIDEO/AUDIO CAT5 MATRIX
MT105-130

Features:

- VGA through UXGA resolution
- HDTV compatible
- Preserves signal integrity
- Up to 400ft signal drive
- NTSC / PAL compatible

8x8 CAT5 SWITCHER, 4 CHANNELS

MT105-130

CAT5

IN 1	OUT 1
IN 2	OUT 2
IN 3	OUT 3
IN 4	OUT 4
IN 5	OUT 5
IN 6	OUT 6
IN 7	OUT 7
IN 8	OUT 8

VIDEO/AUDIO CAT5 MATRIX
MT105-131

Features:

- Fully buffered outputs
- NTSC / PAL compatible
- Easy to control matrix
- Designed for S-Video and C-Video

8x8 CAT5 SWITCHER, 3 CHANNELS

MT105-131

CAT5

IN 1	OUT 1
IN 2	OUT 2
IN 3	OUT 3
IN 4	OUT 4
IN 5	OUT 5
IN 6	OUT 6
IN 7	OUT 7
IN 8	OUT 8

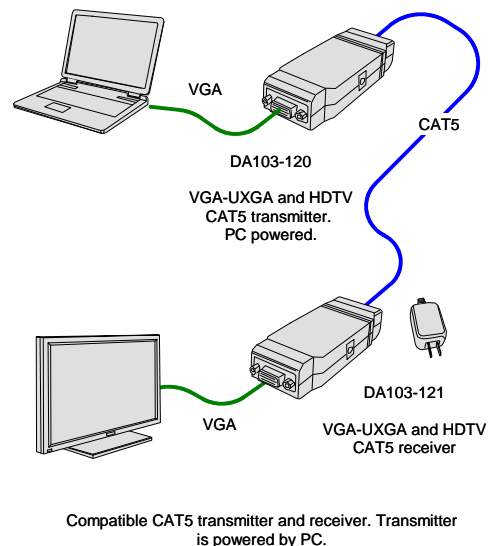
VIDEO/AUDIO CAT5 MATRIX
MT105-132

Features:

- Fully buffered outputs
- NTSC / PAL compatible
- Easy to control matrix
- Designed for C-Video

8x8 CAT5 SWITCHER, 2 CHANNELS

MT105-132



VIDEO SCALERS

MT106

VGA IN 1 SLOT
S-VIDEO OUT
C-VIDEO OUT
MT106-100

VGA-VIDEO

MT106-100

Features:

- Component (YPbPr) compatible
- Ground loop isolated input
- Signal present LED
- Output ON/OFF control
- 75 ohm input / output
- DC coupled

VGA-XGA TO NTSC / PAL CONVERTER

MT106-100

VIDEO 1 SLOT
S-VIDEO
YPbPr
VGA
OUT
MT106-103

VIDEO-VGA

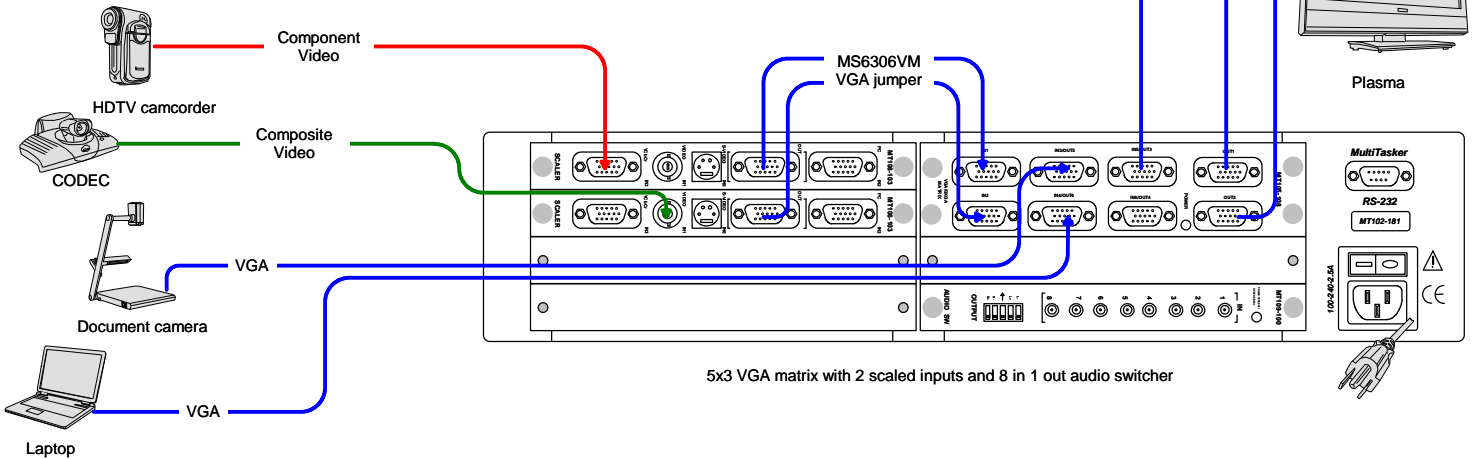
MT106-103

Features:

- XGA through SXGA signal format
- Composite, S-video inputs
- Supports PAL / NTSC
- RGB pass through
- Freeze frame control

NTSC / PAL / COMPONENT VIDEO SCALER

MT106-103



AUDIO DISTRIBUTION AMPLIFIERS

MT108

2 SLOT
IN 3.5MM
OUT 1
OUT 2
OUT 3
OUT 4
OUT 5
OUT 6
AUDIO
RCA DA
MT108-100

AUDIO

MT108-100

Features:

- 3.5mm computer input
- RCA output connectors
- Signal present LED
- 20Hz - 20KHz amplifier bandwidth
- Output ON/OFF
- Easy to use

1-IN 6-OUT STEREO AUDIO DA

MT108-100

1 SLOT
IN
OUT 1
OUT 2
AUDIO
OUT 4
OUT 5
MT108-103

AUDIO

MT108-103

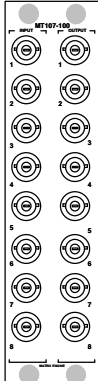
Features:

- Balanced / single ended ports
- Terminal block for ease of installation
- Signal present LED
- 20Hz - 20KHz amplifier bandwidth
- Output ON/OFF
- Easy to use

1-IN 4-OUT STEREO AUDIO DA

MT108-103

VIDEO




Features:

- 8X8 to 64X64 matrix size
- Ideal for RGB signals
- Component (YPbPr) compatible
- AC / DC coupled
- Easy to control
- 75 ohm input / output

UNIVERSAL VIDEO MATRIX ENGINE

ENGINE **MT107-100**

VIDEO



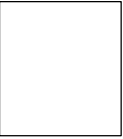
Features:

- Ideal for RGB signals
- Ground loop isolated input
- 75 ohm input / output
- Use with MT107-100 / MT107-104
- Easy to control
- Component (YPbPr) compatible

16x16 VIDEO SWITCH MODULE

MT107-101

AUDIO



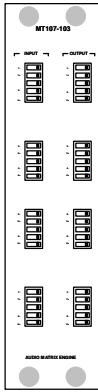
Features:

- Ideal for audio signals
- Large headroom
- Balanced in and out
- Use with MT107-103
- Easy to control
- High signal isolation

16x16 AUDIO SWITCH MODULE

MT107-102

AUDIO



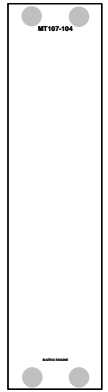
Features:

- 8X8 to 64X64 matrix size
- Balanced / Single ended ports
- Single channel per matrix
- High signal isolation
- Easy to control
- Line level IN / OUT

UNIVERSAL AUDIO MATRIX ENGINE

ENGINE **MT107-103**

AUDIO



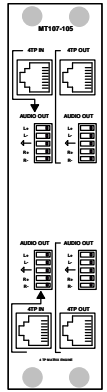
Features:

- 8X8 to 64X64 matrix size
- Ideal for RGB signals
- Component (YPbPr) compatible
- AC / DC coupled
- Easy to control
- 75 ohm input / output

UNIVERSAL VIDEO MATRIX ENGINE

ENGINE **MT107-104**

CAT5




Features:

- Up to 16x16 CAT5 matrix
- Ideal for VGA-UXGA signals
- Compatible with YPbPr
- Easy to control
- Works with all Altinex CAT5 products
- Balanced audio output

UNIVERSAL CAT5 MATRIX ENGINE

ENGINE **MT107-105**

VIDEO / SYNC



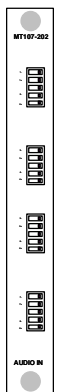
Features:

- Designed RGB signals
- NTSC / PAL / HDTV compatible
- Compatible with video and sync
- AC / DC coupled
- 75 ohm inputs

8 VIDEO / SYNC INPUTS

INPUT **MT107-201**

AUDIO



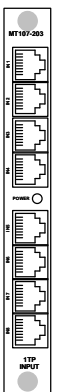
Features:

- Balanced / single ended audio
- Easy to control
- Wide dynamic range
- 20Hz to 20KHz bandwidth
- Line level audio signals

8 BALANCED MONO AUDIO INPUTS

INPUT **MT107-202**

CAT5



Features:

- Ideal for RGB signals
- YPbPr compatible
- NTSC / PAL / HDTV compatible
- Works with all Altinex CAT5 products
- Easy to control

8 CAT5 INPUTS, SINGLE CHANNEL

INPUT **MT107-203**

LARGE MATRIX SWITCHERS MT107

CAT5

Features:

- Use only with MT107-105 engine
- Ideal for VGA-UXGA signals
- Compatible with YPbPr
- Easy to control
- Works with all Altinex CAT5 products
- Balanced audio output

2 CAT5 INPUTS WITH AUDIO OUT

INPUT **MT107-212**

VIDEO / SYNC

Features:

- Designed RGB and sync signals
- NTSC / PAL / HDTV compatible
- Compatible with video and sync
- Long cable drive
- 75 ohm outputs

8 OUTPUTS VIDEO / SYNC

OUTPUT **MT107-301**

AUDIO

Features:

- Ideal for audio signals
- Large headroom
- Balanced in and out
- Use with MT107-103 engine
- Easy to control
- High signal isolation

8 BALANCED MONO AUDIO OUTPUTS

OUTPUT **MT107-302**

CAT5

Features:

- Ideal for RGB signals
- YPbPr compatible
- NTSC / PAL / HDTV compatible
- Works with all Altinex CAT5 products
- Easy to control

8 CAT5 OUTPUTS, SINGLE CHANNEL

OUTPUT **MT107-303**

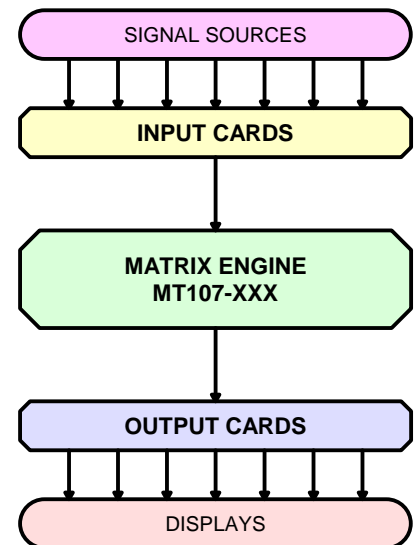
CAT5

Features:

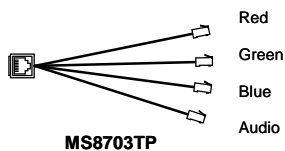
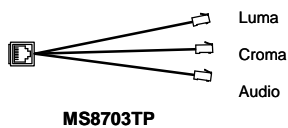
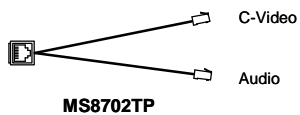
- Use only with MT107-105 engine
- Ideal for VGA-UXGA signals
- Compatible with YPbPr
- Easy to control
- Works with all Altinex CAT5 products
- Balanced audio output

2 CAT5 OUTPUTS WITH AUDIO

OUTPUT **MT107-312**



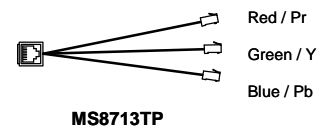
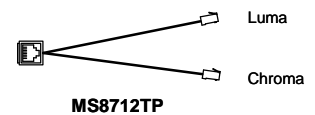
CAT5 CABLES



CB5600PL-5
CB5600PL-10
NO SKEW CAT5 VIDEO CABLE
PLENUM (500 / 1000FT)

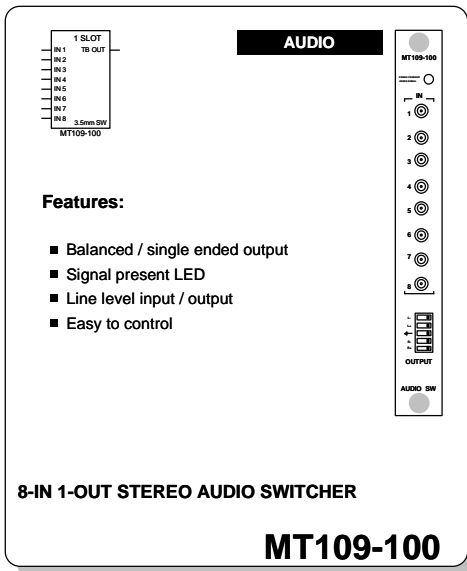


CB3150PV-5
CB3150PV-10
NO SKEW VIDEO CABLE CAT5
(500 / 1000FT)



AUDIO SWITCHERS

MT109



1 SLOT
IN1 TB OUT
IN2
IN3
IN4
IN5
IN6
IN7
IN8 3.5mm SW
MT109-100

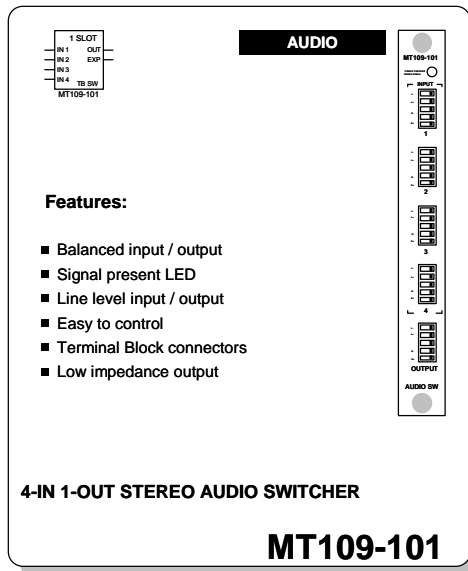
AUDIO

Features:

- Balanced / single ended output
- Signal present LED
- Line level input / output
- Easy to control

8-IN 1-OUT STEREO AUDIO SWITCHER

MT109-100



1 SLOT
IN1 OUT
IN2 EXP
IN3
IN4 TB SW
MT109-101

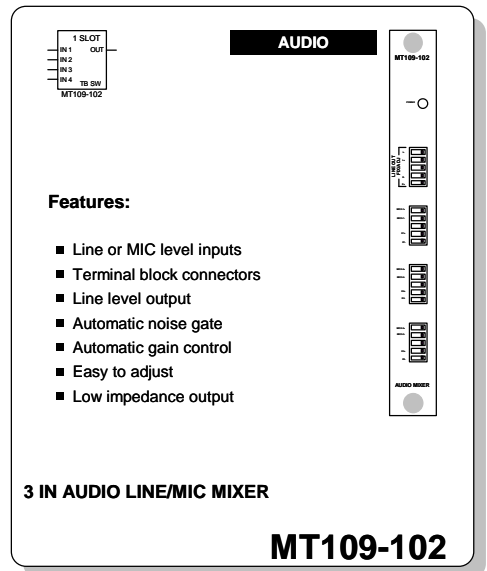
AUDIO

Features:

- Balanced input / output
- Signal present LED
- Line level input / output
- Easy to control
- Terminal Block connectors
- Low impedance output

4-IN 1-OUT STEREO AUDIO SWITCHER

MT109-101



1 SLOT
IN1 OUT
IN2
IN3
IN4 TB SW
MT109-102

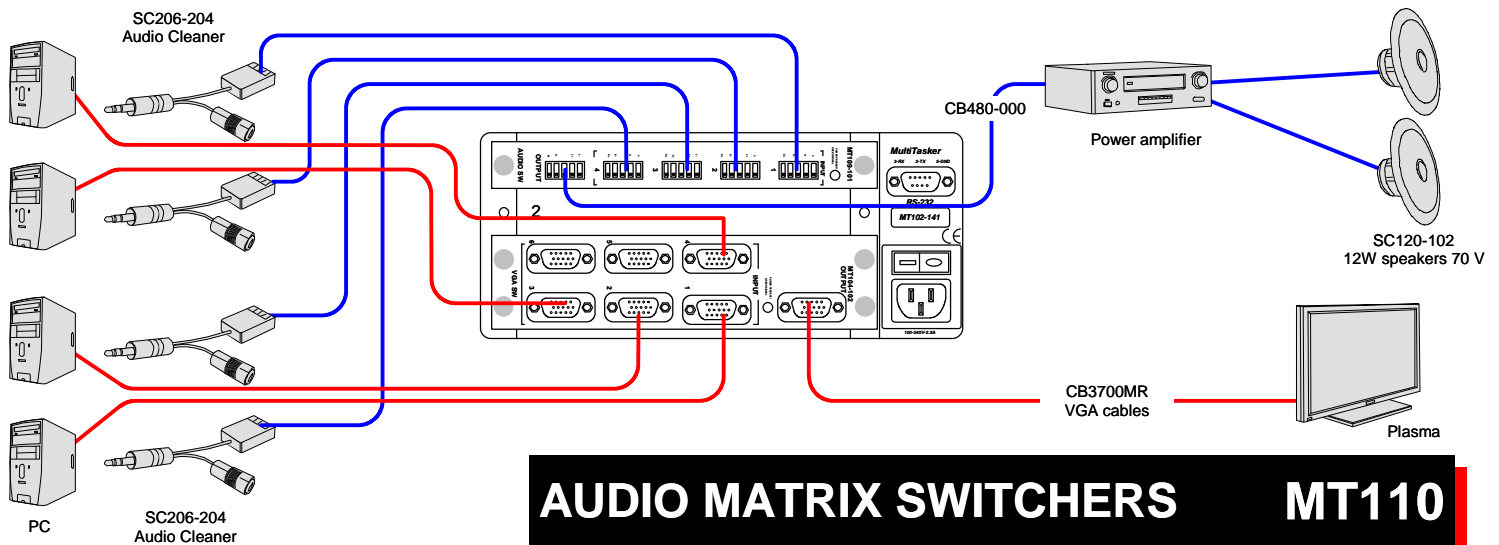
AUDIO

Features:

- Line or MIC level inputs
- Terminal block connectors
- Line level output
- Automatic noise gate
- Automatic gain control
- Easy to adjust
- Low impedance output

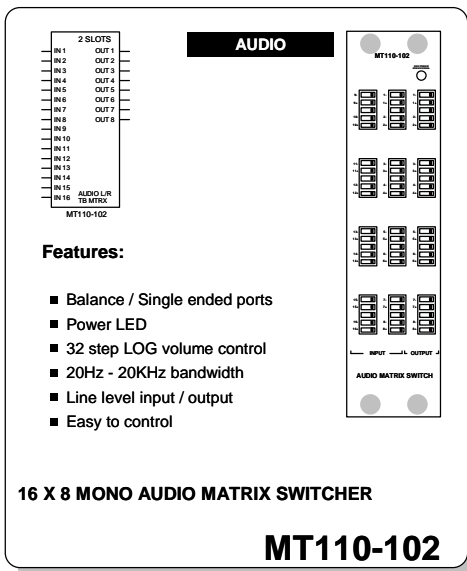
3 IN AUDIO LINE/MIC MIXER

MT109-102



AUDIO MATRIX SWITCHERS

MT110



2 SLOTS
IN1 OUT1
IN2 OUT2
IN3 OUT3
IN4 OUT4
IN5 OUT5
IN6 OUT6
IN7 OUT7
IN8 OUT8
IN9 OUT9
IN10
IN11
IN12
IN13
IN14
IN15
IN16 AUDIO L/R TB MATRIX
MT110-102

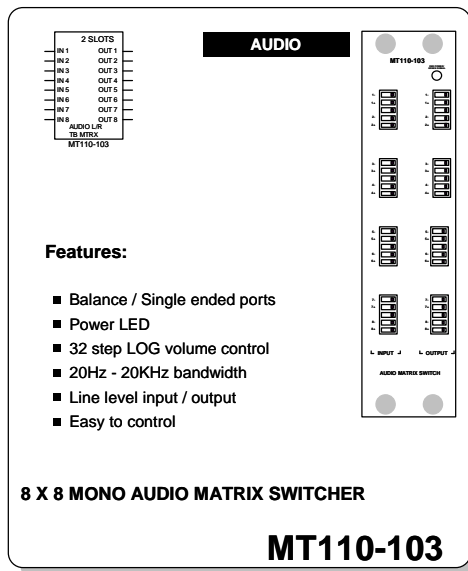
AUDIO

Features:

- Balance / Single ended ports
- Power LED
- 32 step LOG volume control
- 20Hz - 20KHz bandwidth
- Line level input / output
- Easy to control

16 X 8 MONO AUDIO MATRIX SWITCHER

MT110-102



2 SLOTS
IN1 OUT1
IN2 OUT2
IN3 OUT3
IN4 OUT4
IN5 OUT5
IN6 OUT6
IN7 OUT7
IN8 OUT8
AUDIO L/R TB MATRIX
MT110-103

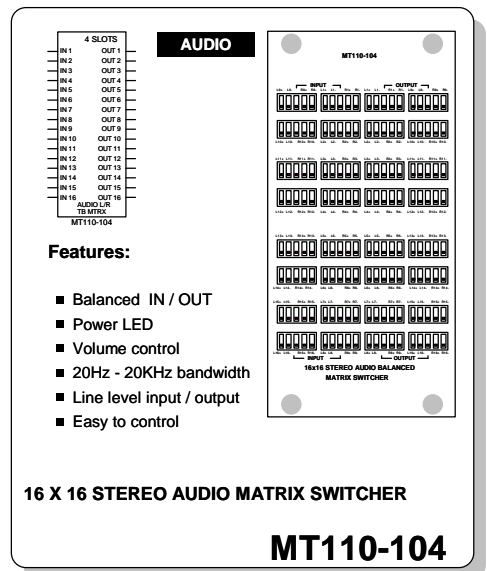
AUDIO

Features:

- Balance / Single ended ports
- Power LED
- 32 step LOG volume control
- 20Hz - 20KHz bandwidth
- Line level input / output
- Easy to control

8 X 8 MONO AUDIO MATRIX SWITCHER

MT110-103



4 SLOTS
IN1 OUT1
IN2 OUT2
IN3 OUT3
IN4 OUT4
IN5 OUT5
IN6 OUT6
IN7 OUT7
IN8 OUT8
IN9 OUT9
IN10 OUT10
IN11 OUT11
IN12 OUT12
IN13 OUT13
IN14 OUT14
IN15 OUT15
IN16 OUT16
AUDIO L/R TB MATRIX
MT110-104

AUDIO

Features:

- Balanced IN / OUT
- Power LED
- Volume control
- 20Hz - 20KHz bandwidth
- Line level input / output
- Easy to control

16 X 16 STEREO AUDIO BALANCED MATRIX SWITCHER

MT110-104

CONTROL

Features:

- Works with external switches
- Output can drive up to 25ma
- Programmable subroutines
- Expandable to 128 I/O ports
- Easy to control
- Optically isolated inputs

24 CONTACT CLOSURE INPUT OR LED DRIVE

MT112-100

CONTROL

Features:

- RS-232 ports for projector control
- Up to 48V 1amp per relay
- Programmable subroutines
- Easy to control
- Learning IR ports

2 RS-232 OUT, 6 RELAYS, 4 IR OUT, 4 I/O

MT112-104

POWER

Features:

- Programmable power sequence
- Independent control for each socket
- Status LED for each output
- 10 Amp loading
- Over-current shutdown
- Read current on each connector
- Pre-programmed shutdown

1 IN 3 OUT POWER DISTRIBUTION WITH CURRENT SENSOR

MT112-105

POWER

Features:

- Programmable power up
- Pre-programmed shutdown
- Status LED for each output
- 10 Amp loading
- Over-current shutdown

1 IN 6 OUT POWER DISTRIBUTION WITH CURRENT SENSOR

MT112-106

POWER

Features:

- Programmable power sequence
- Independent control for each socket
- Status LED for each output
- 10 Amp loading
- Over-current shutdown
- Read current on each connector
- Pre-programmed shutdown

1 IN 3 OUT POWER DISTRIBUTION WITH CURRENT SENSOR

MT112-107

POWER

Features:

- Programmable power up
- Pre-programmed shutdown
- Status LED for each output
- 10 Amp loading
- Over-current shutdown

1 IN 6 OUT POWER DISTRIBUTION WITH CURRENT SENSOR

MT112-108

EQUIPMENT POWER SEQUENCER

Features:

- 12 programmable power outputs
- VCR/DVD ON/OFF control/status
- Over current protection
- Sequence power up
- Sequence shut down
- LED power status

Power amp **CODEC** **Document Camera** **Projector** **Satellite box** **VCR/DVD combo** **Plasma**

PROGRAMMING NOTES

RS-232 COM PORT SETTINGS

1. **Default Com Port Setting** - 9600 Baud, 8 Data Bits, 1 Stop Bit, No Parity, No Flow Control
All communication with MultiTasker is half duplex.

SINGLE MULTITASKER CONNECTED TO RS-232

2. **Change Baud Rate** - Make sure that only one enclosure is connected to the RS-232 port.
 - A. Press and Hold front panel **Key 5** and **Key 6** simultaneously for 3 seconds.
 - B. The LEDs for keys 1 through 4 will turn on. The LED for the active baud rate will flash.
 - C. Press and Hold one of the following keys to change the baud rate or any key to exit:
Key 1 = 1200 baud, **Key 2** = 2400 baud, **Key 3** = 4800 baud, **Key 4** = 9600 baud
3. **Set Enclosure Unit ID** - Make sure that only one enclosure is connected to the RS-232 port. Send the [SETUn] command. Example: [SETU1] will configure MultiTasker as Unit ID 1 (U1).

MULTIPLE MULTITASKERS CONNECTED TO RS-232

4. **Read Enclosure ID** - Send the [?Un] command. The feedback will list the front panel model number/unit ID and then each card's model number/card ID. Example: [?U1].
Example: [(MT101-101U1)(MT110-102C02)]
5. **Identify An Enclosure ID** - Send the [IDUn] command. Example: [IDU5] will cause MultiTasker U5 to beep 5 times and flash its front panel LED green 5 times. The LED will remain green until the next ID command is sent.
6. **Identify All Enclosure IDs** - Send the [IDU] command. Example: [IDU] will cause each MultiTasker to beep and flash its front panel LED green to match its ID number. U1 will beep and flash one time, U2 will beep and flash twice, and so on.
7. **Change An Enclosure Unit ID** - Send the [SETUnUi] command. Example: [SETU3U4] will cause MultiTasker U4 to become U3. CAUTION: Do NOT assign duplicate unit IDs.
8. **Internal Bus Speed** – Display internal bus speed by sending command [RATE]. For all units speed must be set to 0ms. [RATE=0S] Change this setting only if factory requests.
9. **Manual Power On Sequence** – Always turn power 'ON' to the Master unit (U1) last.
10. **Power Up Initialization** - After power-up or soft reset [RES], all MultiTaskers execute the commands programmed in Subroutine 1 (SUB1). After all commands in SUB 1 of U0 or U1 are processed, these MultiTaskers send the feedback "READY". All other unit ID's will not send feedback.

To clear all commands from SUB1 of U1, send the command {CLRS1U1}. To clear all subroutines, send the command {CLRS*U1}. To display commands stored in subroutines send the command {RDS*U1}.
11. **Single Enclosure Installation** – The default unit ID from the factory is always zero (U0).
For example: [SETU0].
12. **Multiple Enclosures Installation** – The master unit from the factory is always U1. The rest of the units are set sequentially from U2 up to U20. U1 is always the master and U2 and on are always the slave units. All MultiTaskers execute commands received without a unit ID; commands with a specific unit ID are executed by that MultiTasker only. For example: the command [I1O3G1] is processed by all MultiTaskers; [VERU2] is processed only by U2.

PROGRAMMING NOTES

All commands in SUB1 of the master MultiTasker (U1) are also sent to the slave units. Cards can be grouped together during the MultiTasker “Power-Up”: program this command into SUB1:
{SUB1=WAIT5,EFBU1,WRC1C2C3C4C5G1}

13. **Feedback control in Multiple Enclosure systems** - To enable feedback for only one enclosure send the command [EFBUi]. Example: [EFBU1]. The [EFBUi] command can be programmed in SUB1 for the default settings at power-up. Example:
{SUB1=WAIT5,EFBU1,WRC1C2C3C4C5G1}
14. **Disable Feedback in Multiple Enclosure systems** - To disable all feedback from all units, use the command [DFB]. The [DFB] command will prevent all feedback from all enclosures unless the command is address to a specific unit. Example: First, send the command [DFB]. Next, send [I1O1C3] and there will not be any feedback. However, send [I1O1C3U1] and U1 will return the open and closed brackets “[]” acknowledging the command.
15. **Controlling MultiTasker** – When controlling MultiTasker do not send carriage returns or line feeds (13H, 0DH) at the end of commands. A CR initiates Menu Mode and will interfere with control functions.
16. **Help with commands** – MultiTaskers contain help for every card and enclosure. Use any terminal to display available commands. The command [HELPC1] displays all commands available for a card inserted in slot 1. The command [HELPC8U2] displays all commands available for a card inserted in slot 8 of U2. Select a different slot number to get help for different cards. Use the unit identifier (U1, U2, etc.) to address cards in other units.

The command [HELP] displays all commands available for the enclosure. The commands include subroutine programming, key assignments, LED control, etc.
17. **Reassigning Card Slot number** – MultiTasker cards have physical card IDs, but can be also assigned logical card IDs. To reassign a card ID, send the command [SID1C8] to assign the logical number 1 to the card in slot 8 (C8). Once the command is accepted, the card in slot 8 must be referred to as C1. The command [I12O32C1] would connect Input 12 to Output 32 on the card with an ID of 1. Once the card ID is set to a logical value, the card will retain that ID until changed with another ID command. If C1 (slot 8) is moved to slot 9, it will remain C1. To reset all card IDs to match their physical slot number, send the command [RSI].
18. **Menu Mode** – Menu Mode is interactive communication, which allows direct control of the units and cards individually without the need to type RS-232 commands manually. A carriage return enables feedback from all MultiTaskers and initiates Menu Mode.

After initiating Menu Mode, the system will first prompt for the unit ID (1...20) and then list the cards installed in that system. Select the card’s 2-digit identifier from the menu and then follow the user prompts provided from the card.
19. **Unsolicited feedback** – MultiTasker systems can provide feedback of any system or card status changes to a control system. The [STA1] command enables auto-feedback from all cards in the system. This command must be used in conjunction with the [EFBUi] command to prevent feedback conflicts when used in a multiple enclosure system.

Front panel control

[VERUi]	Firmware Version
[SETUi]	Set Unit ID
[RES]	Reset enclosure.
[MOD101-yyy]	Set the model number
[?]	Display cards in system
[?C]	Display card info and status
[STA0], [STA1]	Auto feedback.
[WRCiCjGk]	Group Cards [Gk=CiCj]
[RMCiCjGk]	Remove Cards From Group
[RMGk]	Remove Whole Group
[RDGk]	Display Group Member
[RATEUi]	Display Comm Rate
[RATE=n]	Set internal Comm Rate
[RATE=nS]	Set/Save Comm Rate
[BEEP]	Play default beep
[BEEPn]	Play custom beep
[PING]	Returns []
[BAUDUi]	Display Baud Rate
[BAUD=n]	Set Rate
[TXRxyzUi]	Bypass Cmd => xyz
[TXMxyzUi]	Bypass Cmd => [xyz]
<x[y]zUi>	Bypass Cmd => <x[y]z>
<@x[y]zUi>	Bypass Cmd => x[y]z
[TESTUi]	Test Memory, Retain Data Feedback is [] [] .

LED control

{CLFCn}	Clear LEDs For Matrix Card
{CLFGn}	Clear LEDs For Group
{LEDn=s}	Set LED State
{LEDm-n=s}	Set LED Range

Keys control

{RDKn}	Read Key Setup
{WRKn=}	Program Key Verify 5 Key States.
{CLRKn}	Clear Key
{LOCKn}	Lock Key
{UNLKn}	Unlock Key
{KEYn}	Press Key Simulates a key press.
{KFB=n}	Enable/Disable Key Fdbk
{RDLKn}	Display One Key Label only
{WRLKn=}	Add Key Label
{CLRLKn}	Clear Key n Label
{RDSKn}	Display Subs For Key
{SETVKn}	Set Key as Volume Ctrl
{CLRvKn}	Clear Volume Key
{UPLK}	Upload Key Program

Subroutine control

{RDSn}	Display Sub
{WRSn=}	Program Sub
{WRSn=S1...}	Program up to 10 Subs
{SUBn}	Execute Sub
{CLRSn} {CLRS*}	Clear a Sub Verify all 180 are cleared .
{TEST}	Test/Clear Memory Buffer Include the LED test.
{WAITn}	Add delay time.
{STA}	Show matrix connection. Example, from key 2: {WRS2=LED*=0,STA}

Card ID control

[RSI]	Reset Card ID
[SIDI]	Set ID of All Cards
[SIDnCi]	Set single Card ID
[SID+]	Set Card ID offset
[RSNCi]	Display Card No.

Card control

[?] - [(...)(...)(...)]	System
[?C] - [(...)(...)(...)]	Card Data
[+] / [-]	Inc./Dec.
[+OCn] / [-OCn]	Inc./Dec. V_{OUT}
[+ImCn] / [-ImCn]	Inc./Dec. V_{IN}
[AUTO=mCn]	Auto Switching
[Ci]	Show status
[CiS]	Show/save status
[CLRcn]	Reset card.
[EQCi], [EQ=mCi]	Read/set EQ
[FBD]	Feedback Delay
[HPCi], [HP=mCi]	Read/Set H-Pos
[ImOxCn]	In to Out
[ImO*Cn]	In to All Out
[INnCi], [INnRCi]	Select In/Recall
[INmmSCn]	Connections "ON"
[LOD0], [LOD1]	Loudness ON/OFF
[MATj,mm,tt,xx,yy,kk,ll,Cn]	Set Engine Matrix
[MjCn]	Select Matrix
[MATmXnCi]	Set Matrix Size
[MODEpCn]	Set Blocking Mode
[MUT1], [MUT0]	Mute On/Off
[MUTEpCn]	Mute On/Off
[OFFCn], [OFFmCn]	Output(s) OFF
[OFFmVCn]	Output(s) OFF
[ONCn], [ONmCn]	Output(s) ON
[ONmVCn]	Output(s) ON
[OSImCi], [OSOmCi]	Offset, In/Out
[OUTmmSCn]	Connections "ON"

[RAMP], [RAMP=nCi]	Read/Set Ramp
[RDNCi]	Ramp Down
[RDN=nCi]	Ramp to Val / Min
[RDNmCi]	Ramp Down Output
[RDNm=nCi]	Ramp Down Output
[RSTCi]	Stop Ramping
[RUPCi]	Ramp Up
[RUP=nCi]	Ramp Up to Val
[RUPmCi]	Ramp Up Output
[RUPm=nCi]	Ramp Up Output to
[SDImmCn]	Input Sig Detect
[SDOmmCn]	Output Sig Detect
[SDL], [SDLm=sCn]	Sync Del x250mS
[SELCi]	Select In/Out to Adj
[SELMCi]	Select In/Out to Adj
[SELMCi]	Adjust Input Vol
[SELOCi]	Adjust Output Vol
[SELBCi]	Adjust Bass
[SELTCi]	Adjust Treble
[SIGCn], [SIGmCn]	Signal Detect
[SIGImCi], [SIGONCi]	Signal Detect I/O
[SOFFCi]	Read OFF Seq/Dly
[SOFFn..nTxCi]	Set OFF Seq/Dly
[SONCi]	Read ON Seq/Dly
[SONn..nTxCi]	Set ON Seq/Dly
[STA1] (...Cn)	Enable Auto Fdbk
[STA0]	Disable Auto Fdbk
[TESTCn]	Test Memory ICs
[THRCi]	Read Threshold
[THRn=xCi]	Set Threshold
[TVCi] or [TVISCi]	VIS Test (Input 1)
[VIS=nCi]	VIS On/Off
[VERCn]	Model and Version
[VLImAnCi]	Set Abs Input Vol
[VLOAnCi]	Set Abs Output Vol
[VLOmAnCi]	Set Abs Output Vol
[VLBAnci]	Set Bass Absolute
[VLTAnCi]	Set Treble Absolute
[VOLmAvCi]	Set Input Vol for Engine
[WAITmCi]	Suspend

PATCH CABLES

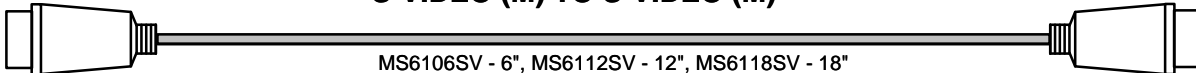


BNC (M) TO BNC (M)



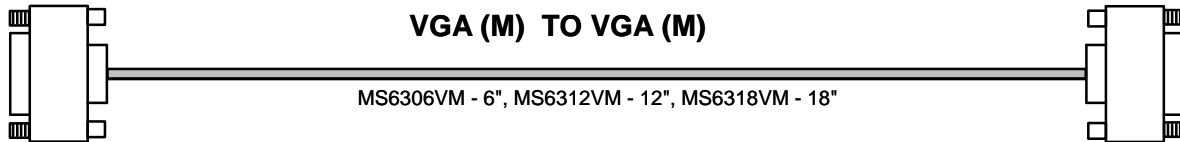
MS6006BN - 6", MS6012BN - 12", MS6018BN - 18"

S-VIDEO (M) TO S-VIDEO (M)



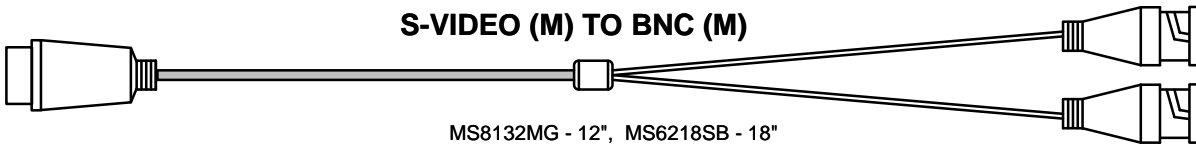
MS6106SV - 6", MS6112SV - 12", MS6118SV - 18"

VGA (M) TO VGA (M)



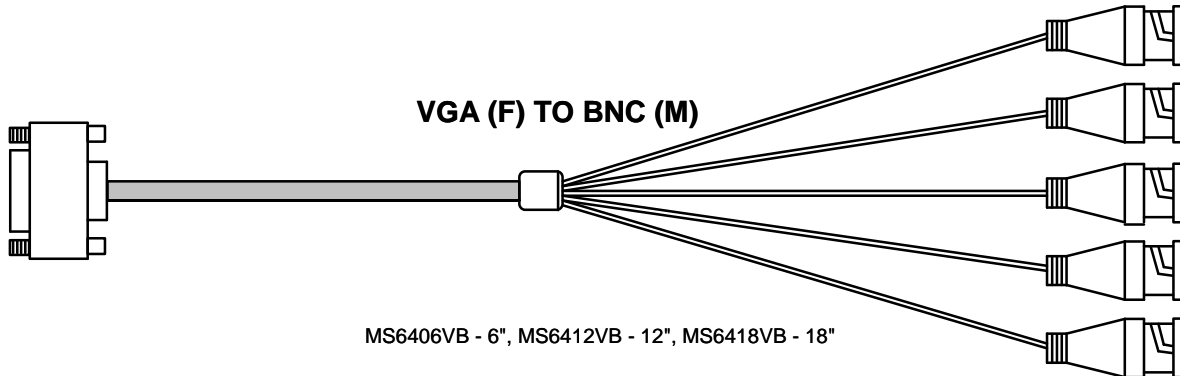
MS6306VM - 6", MS6312VM - 12", MS6318VM - 18"

S-VIDEO (M) TO BNC (M)



MS8132MG - 12", MS6218SB - 18"

VGA (F) TO BNC (M)



MS6406VB - 6", MS6412VB - 12", MS6418VB - 18"

MS6612VB - 12" (female BNC)

3.5mm (M) TO 3.5MM (M)



MS6506SM - 6", MS6512SM - 12", MS6518SM - 18"

ALTINEX