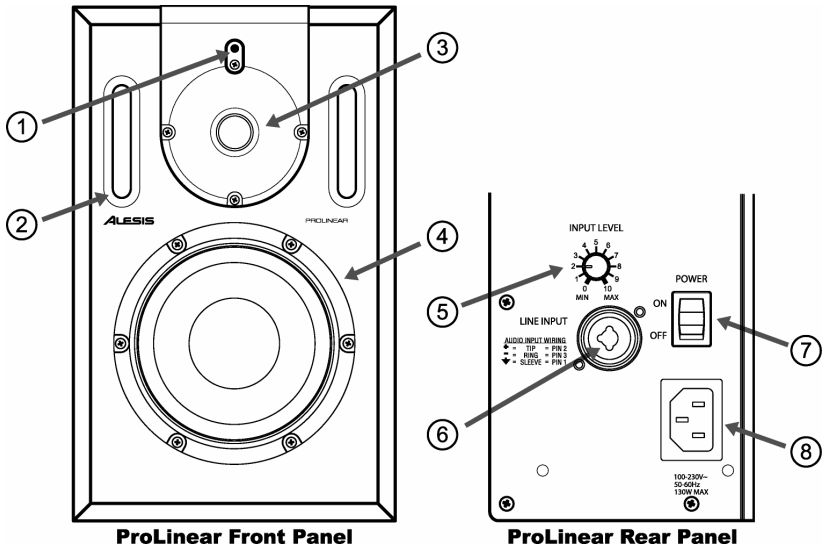


ALESIS

PROLINEAR

Professional 2-Way 120-Watt Powered Monitor

QUICK START MANUAL



ProLinear Front Panel

ProLinear Rear Panel

Front and Rear Panel Features

- 1. Power/Clip LED:** This LED will be GREEN under normal operating conditions. The LED will flash RED if your ProLinear is CLIPPING. Clipping can be resolved by decreasing the INPUT LEVEL control knob on the rear of the unit.
- 2. Precision Tuned Bass Port:** Enhances the bass response of the ProLinear.
- 3. Silk Dome Tweeter**
- 4. Kevlar Woofer**
- 5. Input Level Control Knob:** Used to adjust the strength of the signal coming into the speaker. This allows all types of audio sources to be used, from stand-alone CD players to professional mixers.
- 6. XLR/TRS Audio Input:** Female XLR and 1/4" TRS balanced combination input connector.
- 7. Power Switch:** Turns the ProLinear ON or OFF.
- 8. IEC Power Connector:** Provides power from a 100-230V, 50-60 Hz A/C power source.

Connecting and Starting the ProLinear

1. Turn the rear panel Input Level control to the Minimum position.
2. Connect the power cable to the speaker.
3. Connect the audio source's output to the speaker with a TRS or XLR connector.
4. Turn on the audio source.
5. Turn on the ProLinear.
6. With the audio source material playing, gradually turn up the Input Level control until the speaker is playing the audio material at a comfortable level.

ALESIS

PROLINEAR

SPECIFICATIONS

Inputs

| | |
|----------------------|--------------------|
| Nominal input level: | +4dBu (1.23 Vrms) |
| Maximum input level: | +20dBu (7.75 Vrms) |
| Input impedance: | 10k Ω |

Output

| | |
|----------------------------|-------------------------------|
| Low Frequency (LF) power: | 80 Watts RMS (130 Watts Peak) |
| High Frequency (HF) power: | 40 Watts RMS (130 Watts Peak) |

ProLinear 720

| | |
|------------------------|--|
| Max Peak SPL per pair: | ~109 dB SPL (1m / Max input below clipping) |
| Frequency response: | 50Hz – 20kHz \pm 1.5dB Bass level -3dB @ 43hz typical |

ProLinear 820

| | |
|------------------------|--|
| Max Peak SPL per pair: | ~111 dB SPL (1m / Max input below clipping) |
| Frequency response: | 45Hz – 20kHz \pm 1.5dB Bass level -3dB @ 40hz typical |

Power Requirements

| | |
|--------------------|--------------------------------|
| Input voltage: | 100VAC – 230VAC |
| Input frequency: | 47 – 63 Hz |
| Power consumption: | 20 Watts Idle (150 Watts Peak) |

Environmental Requirements

| | |
|-------------------------------------|----------------|
| Temperature range: | 0-40 degrees C |
| Relative humidity (non-condensing): | 30-85% |

Cabling Requirements

| | |
|--------------------|--|
| Source to Speaker: | Balanced or unbalanced, shielded; XLR or 1/4" TRS connector |
|--------------------|--|

Mechanical

ProLinear 720

| | |
|---------------|---|
| Size (HxWxD): | 15" x 9" x 12" (380mm x 230mm x 305mm) |
| Weight: | 25 lbs (11.4 kg) |

ProLinear 820

| | |
|---------------|--|
| Size (HxWxD): | 17.5" x 11" x 13.5" (445mm x 280mm x 345mm) |
| Weight: | 33 lbs (15 kg) |