



AV3

ELECTRET CONDENSER, CARDIOID BUTTON-BOUNDARY MICROPHONE

Description

The **AV ESSENTIALS AV-3** microphone is a miniature, high performance electret condenser microphone designed for low profile mounting in panels, tables, or ceilings. It is an excellent choice for teleconferencing, professional recording, court rooms, and many other critical applications. The **AV-3** is 1.1" in diameter at the largest point and mount in a 13/16" opening in panels up to 2" thick. The **AV-3** is extremely rugged and feature a solid machined brass body and **AV ESSENTIALS** Flex-Form hardened grille screens. The **AV-3** has a built in 80Hz, 12dB/oct. high pass filter and are terminated with a standard male 3 pin XLR connector. Color matched shock mount isolators are also included with each microphone.

(15/16" mounting hole required when using shock isolators.) Improved RF immunity greatly reduces susceptibility to radio interference.

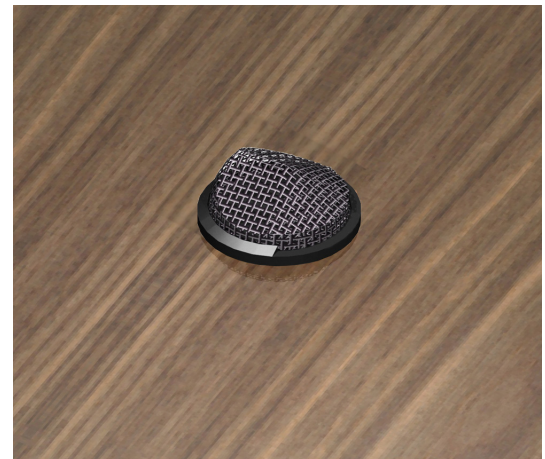
The **AV-3** features self-contained low noise electronics and operate from standard 12, 24 and 48 phantom power.

The cardioid (half cardioid above mounting surface) pickup of the **AV-3** pattern minimizes annoying feedback when used close to sound reinforcement speakers and monitors, while reducing the pickup of unwanted off axis sounds. The front of the microphone is located by the **AV ESSENTIALS** logo in the cut out section of the microphone bezel.



Installation

All mounting hardware is included with the **AV-3**. Select the mounting location and if the shock isolators are not going to be used, drill a 13/16" diameter hole. Insert the microphone into the hole and secure with the supplied hex nut and washer. If the shock isolators are going to be used, drill a 15/16" diameter hole in the mounting location. Slide one of the isolators on the microphone body so that the larger diameter is towards the microphone grille. Mount the microphone in the mounting hole and then place the second isolator on the microphone body so that the smaller diameter fits in the mounting hole. Secure the microphone with the supplied hex nut and washer. This nut only needs to be hand tightened.



AV ESSENTIALS Quality

All **AV-3** microphones are audio tested and inspected prior to shipment. Our absolute commitment to quality insures that **AV ESSENTIALS** microphones remain the **Best Value** in today's competitive industry.

AV 3 Mounted in a Conference Table

SPECIFICATIONS FOR AV ESSENTIALS AV-3 MICROPHONE

Generating Element:

Electret Condenser

Polar Pattern:

Unidirectional (Half Cardioid in the plane above boundary)

Frequency Response:

100Hz - 15kHz

Sensitivity:

-36 dBV (16mV) @ 1Pa

Impedance:

150 ohms

Self Noise:

Less than 29dB, A weighted

Maximum SPL:

129dB, 1% THD, 1kHz

Powering:

12, 24 and 48 < 3mA

Connector

3 pin male XLR type

Phasing

Positive pressure on diaphragm generates a positive relative to pin 3.

Finish:

Durable Black urethane

Dimensions:

(See drawing)

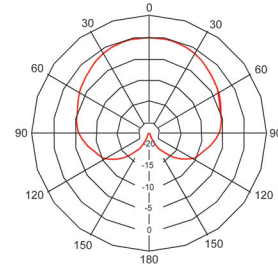
Net Weight:

2.3 oz

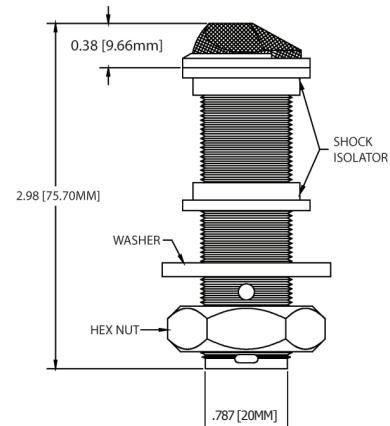
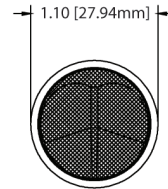
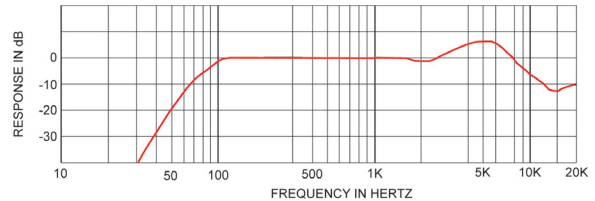
RF Immunity:

Exceeds ENT55103-2, E1, E2, E3 and E4

RoHS Compliant



@ 1 kHz



TWO-YEAR LIMITED WARRANTY

Starin Marketing, Inc. DBA the registered trademark "AV ESSENTIALS", hereby warrants that this product will be free of defects in material and workmanship for a period of two years from the date of purchase. In the unlikely event a defect occurs AV ESSENTIALS will, at its option, either repair or replace with a new unit of equal or greater value. You should retain proof of purchase to validate the purchase date and return it with any warranty claim. Return warranty claims carefully packed, insured and prepaid to the Service Department at the address listed below.

This warranty excludes exterior finish or appearance, damage from abuse, misuse of the product, use contrary to AV ESSENTIALS's instructions or unauthorized repair. All implied warranties or merchantability or fitness for a particular purpose are hereby disclaimed and AV ESSENTIALS hereby disclaims liability for incidental, special or consequential damages resulting from the use or unavailability of this product.

This warranty gives you specific legal rights and you may also have other rights which vary from state to state. Some states do not allow the exclusion or limitation of incidental or consequential damages or limitations on how long an implied warranty lasts, so the above exclusions and limitations may not apply to you.

Note: No other warranty, written or oral is authorized.

AV-3 - Part# 46873-34-00

User Techniques and Applications

The AV-3 should be used on a large flat surface located preferably in the center positioned with the front of the microphone facing the sound source. The slot on the bezel below the grille screen locates the front of the microphone.

The surface can be a part of the structure such as a wall or ceiling, or any flat object such as a table with equally good results. Best results will be obtained from larger smooth surfaces of at least 4'x4' with no obstructions. Smaller surfaces will reduce low frequency sensitivity.

Architects' and Engineers' Specification

The product will be a miniature high performance electret condenser boundary microphone designed for low profile mounting in panels, tables or ceilings. The microphone will be a cardioid pick-up pattern. The microphone will feature a threaded brass body with a standard male 3 pin XLR connector and mount in a 13/16" diameter hole in a panel up to 2" thick. The microphone will feature a 80Hz, 12dB/oct high pass filter and operate on standard phantom power between 12 and 52 Vdc. The microphone will have an output level of 16 mV/Pa. The microphone will be 1.1" (27.9mm) in diameter at the largest point and 2.98" (75.7mm) tall. The weight of the microphone will be 2.3 oz. (65 grams.) The microphone will come complete with mounting hardware which includes a washer and threaded nut. The microphone will have a black finish. The microphone will also come supplied with elastomer vibration isolation bushings which match the color of the microphone. The use of the isolation bushings will require a larger 15/16" mounting hole. The product shall be **AV ESSENTIALS** model number **AV-3** cardioid microphone with black finish.

Distributed exclusively by:



STARIN™

136 Venturi Drive
Chesterton, IN 46304

Phone: 219.929.4127

Fax: 219.929.4377

E-mail: Info@Starin.biz