

Albrecht AE 502

2 m Handheld Amateur Radio Transceiver

SPECIFICATIONS

General

Transmitter Crystal controlled PLL synthesizer, frequency modulation
 Receiver Crystal controlled double conversion, superheterodyne system
 Communicating frequencies range... 144.00-145.995MHz(5KHz, 10KHz, 15KHz, 20KHz, 12.5KHz, 25KHz step)
 Operating voltage 6~14V DC (negative ground)
 Temperature and humidity range -22°F ~ +140°F (-30°C ~ +60°C) at 10% ~ 90% humidity
 Transmitter/receiver switching Electrical

Standard Test Conditions

Power source 13.2 V DC
 ANT load impedance 50 ohms, non-inductive
 Audio output load impedance 16 ohms, non-inductive
 Modulation 3KHz DEV
 Reference audio output power 0.25 W
 Test channel 145.500 CH
 Test temperature and humidity range -22°F ~ +73°F (17°C ~ 23°C) at 40% ~ 70% humidity

Transmitter

Description	Unit	Normal	Limit
Frequency tolerance	%	±0.0005	±0.001
RF power output			
7.2V DC.....	W	2.2	2.0
10.8V DC.....	W	3.5	3.0
12V DC.....	W	4.0	3.5
13.8V DC.....	W	4.5	4.0
Maximum deviation.....	KHz	5	±1
Microphone sensitivity	mV	6	10
Audio frequency response (1 kHz 0 dB reference)			
450Hz.....	dB	+6/oct	+1/-3
2500Hz	dB	+6/oct	+6/0oct
Hum and noise.....	dB	42	40
Spurious emission	dB	70	60
CTCSS Tone deviation.....	KHz	0.7	0.5~1KHz
Current drain			
7.2V DC.....	A	0.8	0.9
10.8V DC.....	A	0.9	1
12V DC.....	A	1.0	1.1
13.8V DC.....	A	1.05	1.1
Lower power.....	A	0.46	0.6

Albrecht AE 502

Receiver

Intermediate Frequency

1st IF = 21.4MHz

2nd IF = 455 kHz

Description	Unit	Normal	Limit
Maximum sensitivity 12dB SINAD.....	dB	-14	-12
Squelch sensitivity			
Threshold	dB	-20	-14
Tight.....	dB	-10	±6
Spurious Response Attenuation.....	dB	70	60
Intermodulation Attenuation.....	dB	60	54
Adjacent Channel Rejection(25KHz).....	dB	65	60
Hum and Noise.....	dB	50	40
Distortion at 1 mV input, 3KHz modulation	%	3	10
Audio output power at 10% THD			
7.2V DC	W	0.3	0.25
10.8V DC.....	W	0.5	0.4
12V DC.....	W	1	0.7
Audio fidelity			
450 Hz.....	dB	-3	-3±6
2500 Hz.....	dB	-3	-3±6
Image rejection ratio (1st IF/2nd IF)	dB	65	60
IF rejection ratio (1st IF/2nd IF)	dB	65	60
S meter sensitivity at "9"	dB	10	±6
Current drain			
Stand-by without Power Save	mA	45	50
Stand-by Power Save.....	mA	30	35
Current drain at maximum signal	mA	200	250

Other Items

Fuse	DC 2 Amp/ 32 Volts
Dimension (HxWxD)	2 x 6 ¹ / ₁₀ x 7 ² / ₃ Inches (65 X 37 X 167 mm)
Weight	400g(W/EMPTY BATT PACK)

Note: Nominal specs represent the design specs. All units should be able to approximate these some will exceed and some may drop slightly below these specs. Limit specs represent the absolute worst condition that still might be considered acceptable: in no case should a unit fail to meet limit specs.

Albrecht AE 502 Amateur Transceiver Frequenzbereichs-Optionen

PLEASE FIND THE MODIFICATION METHODE OF CHANGE MODE
AS FOLLOW. (IF YOU CHANGE BAND, THEN MUST RESUME RESET)

1. BAND MODE

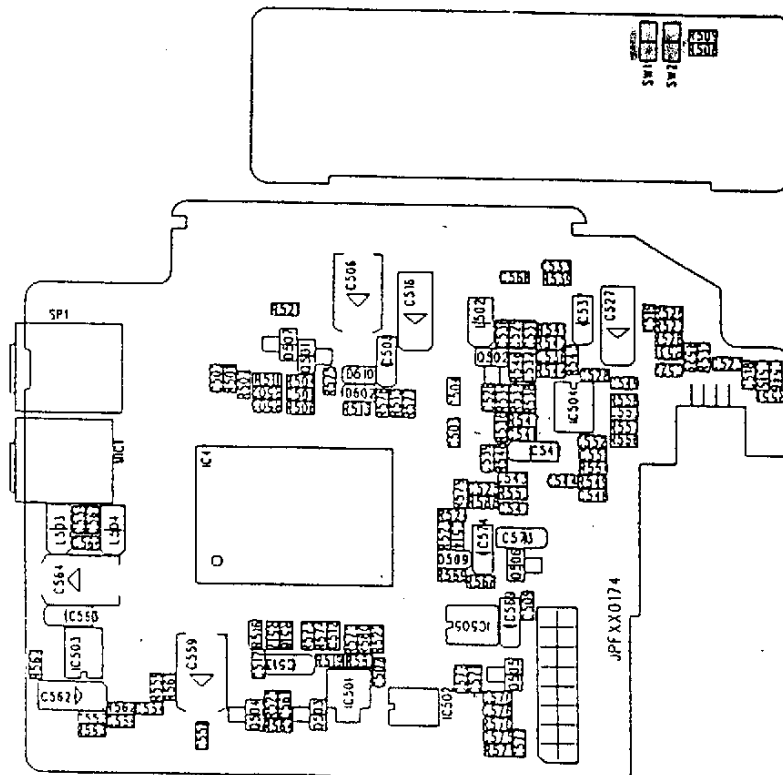
MODE	SW 1	SW 2	DISCRIPTION
1	L	L	RX / TX FULL BAND: 136.00-173.9975MHz
2	H	L	RX: 136.00-173.9975MHz, TX: 144.00-147.9975MHz
3	L	H	RX / TX: 144.00-145.9975MHz
4	H	H	RX: 136.00-173.9975MHz, TX: 144.00-145.9975MHz

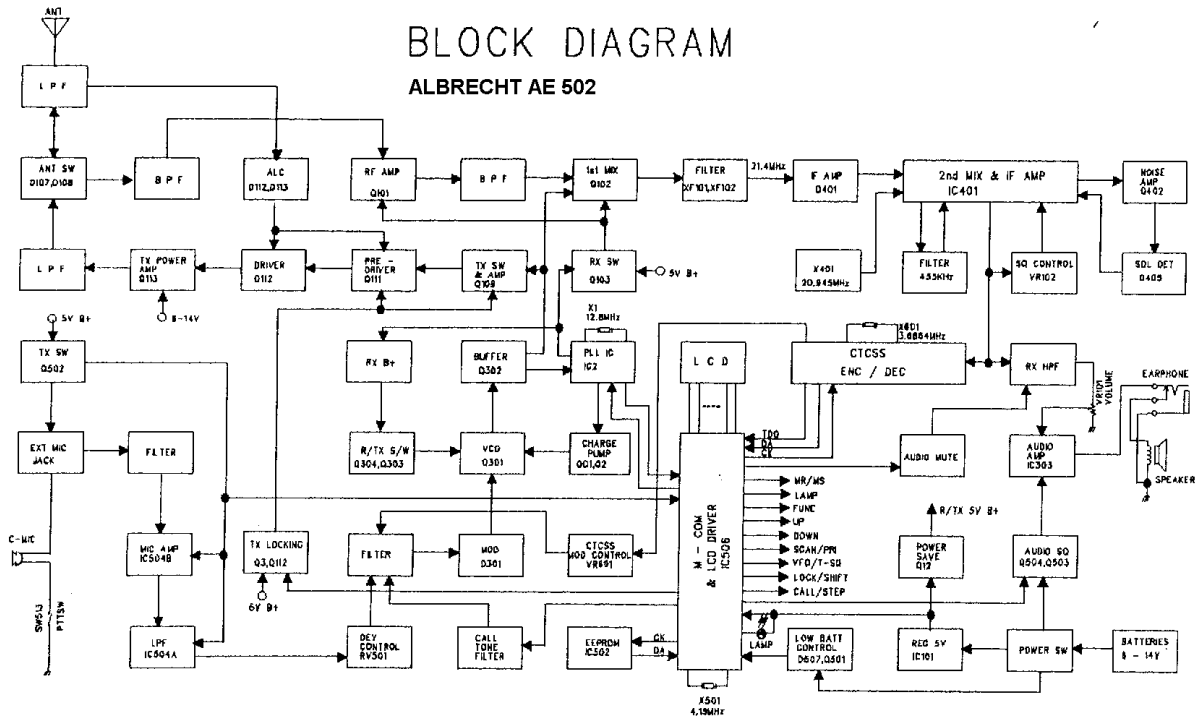
NOTE : H - SHORT
L - OPEN

2. RESET OF CPU

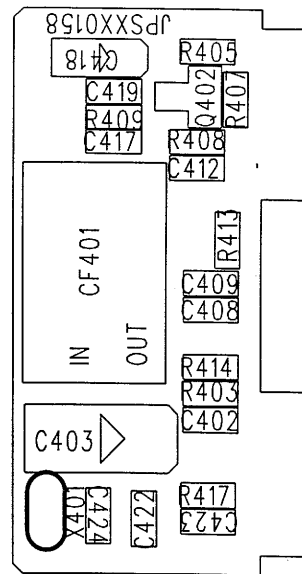
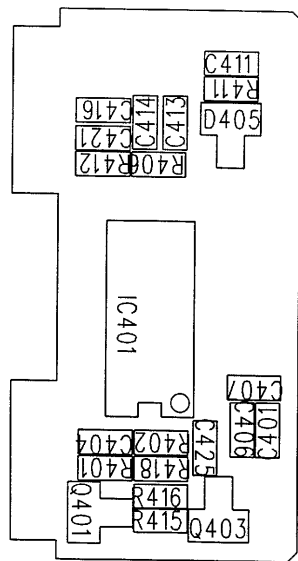
- A) TURN ON POWER SWITCH.
- B) KEEP FUNCTION SWITCH PRESSED (PRESS CONTINUOUSLY)
- C) TURN OFF POWER SWITCH AND THEN ON AGAIN.
- D) RELEASE FUNCTION SWITCH.

3. PLEASE FIND A COPY OF FRONT PCB LAYOUT AND FIG.

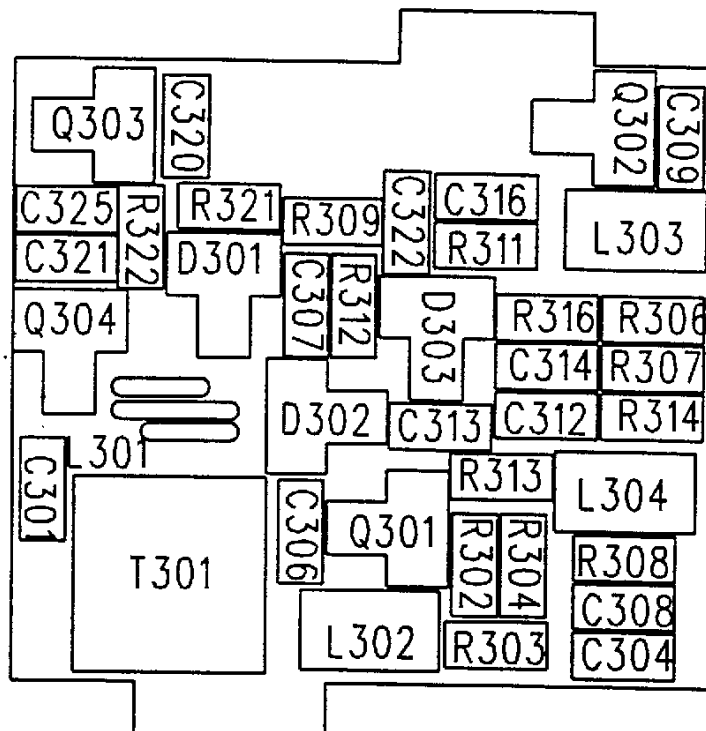
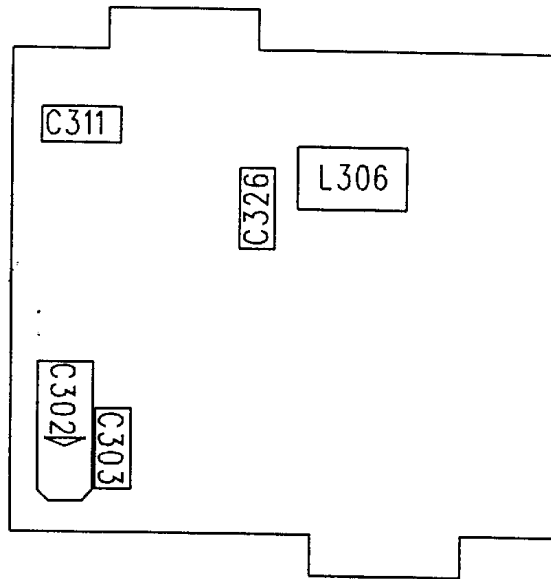




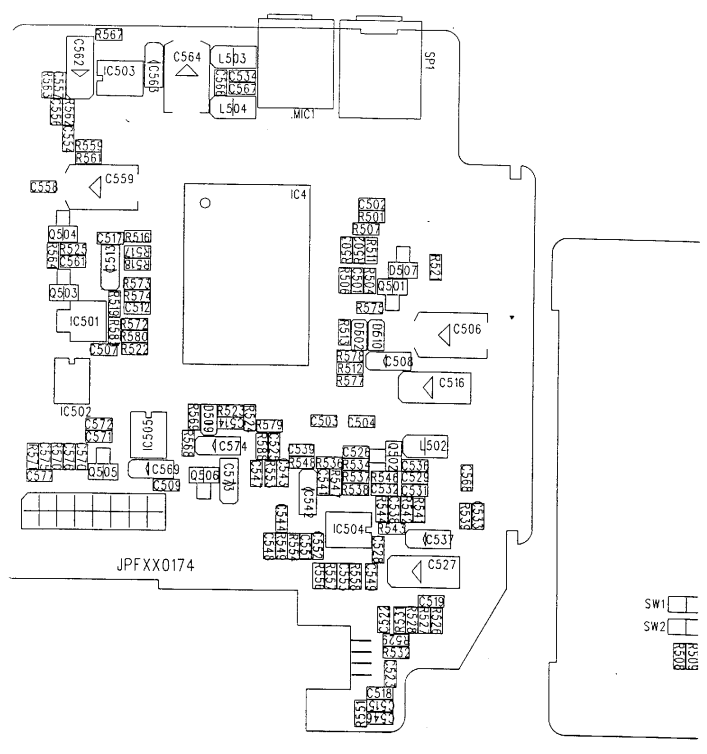
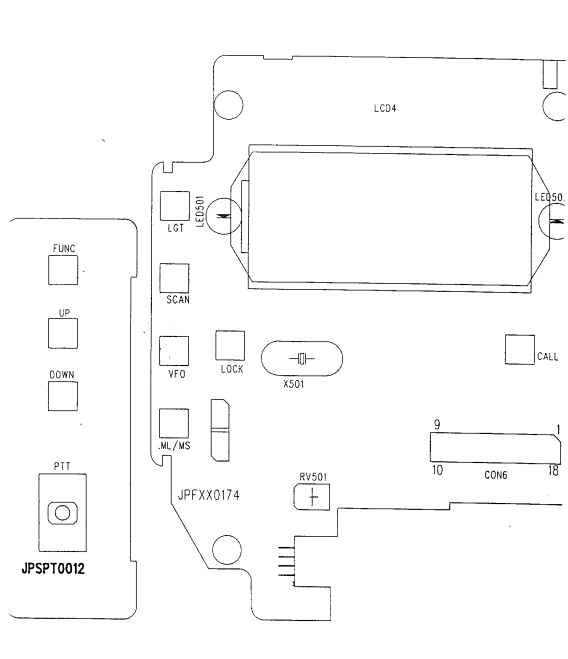
AE 502 Sub-PCB Parts Layout



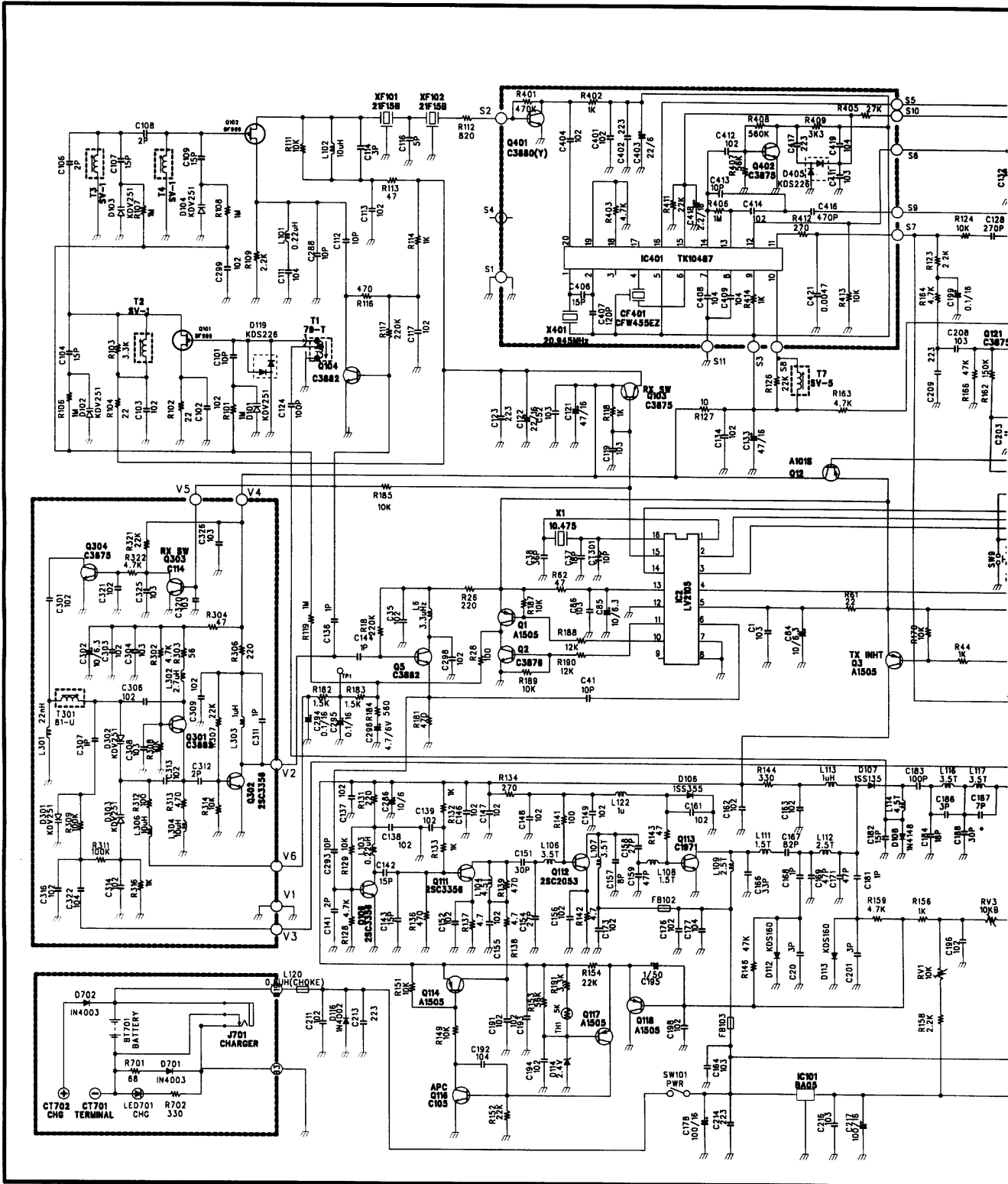
AE 502 VCO-Platine Parts Layout



AE 502 Prozessor-Board Ober- und Unterseite

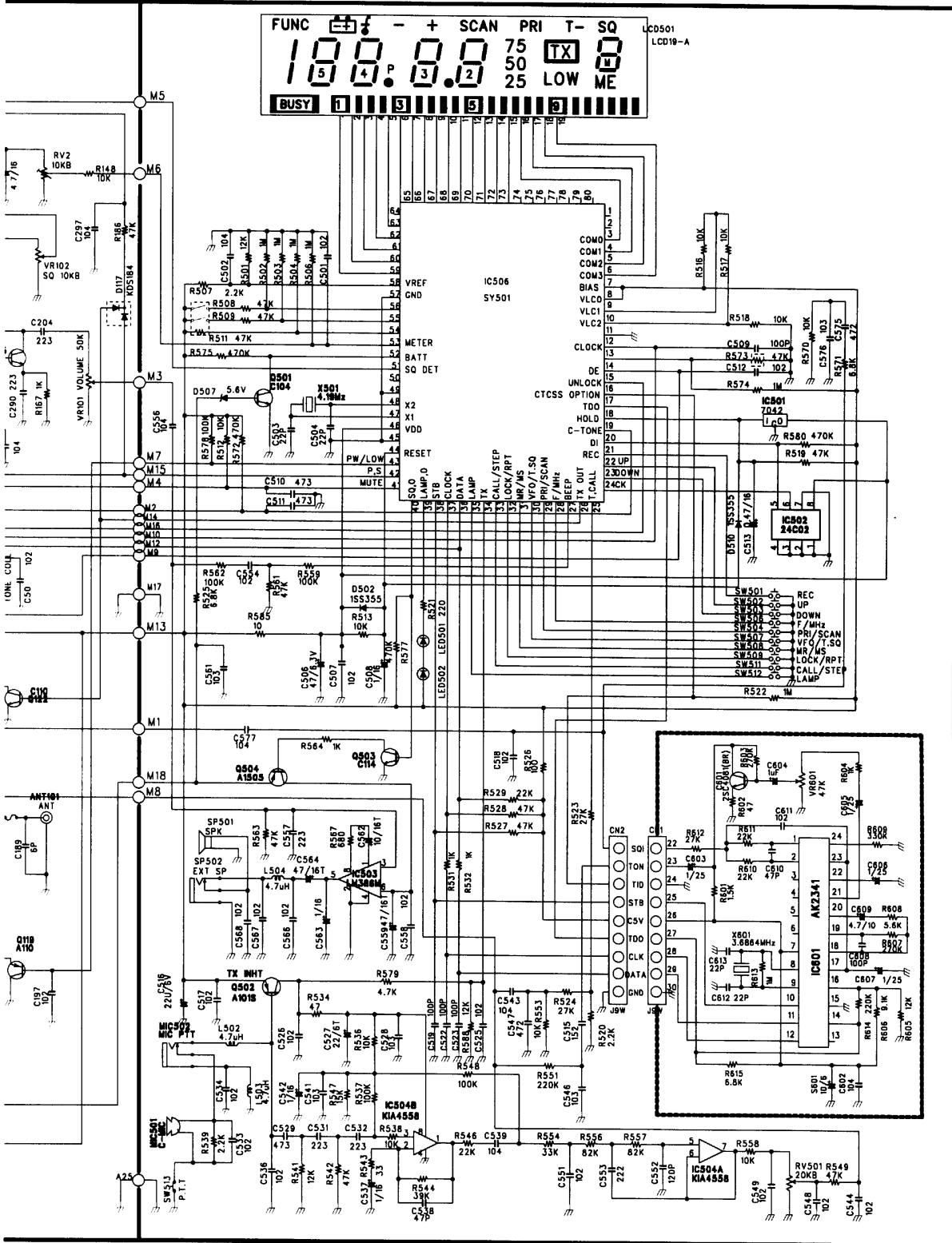


AE 502 VHF AMATEUR



AE 502 Schaltbild

HANDHELD RADIO



AE 502 Schaltbild