

<sup>®</sup>  
**TAURUS**



## **REVOLVER**

**General Safety,**

.....  
**Operating Instructions**

.....  
**and Limited Warranty**

.....  
**READ CAREFULLY BEFORE  
USING YOUR FIREARM**

**Important: Keep this manual  
with your firearm.**

The information contained in this manual is useful, both for beginners and experienced shooters. In addition to important information about functioning, cleaning and care of the gun, the manual contains instructions that may be very helpful in shooting properly.

The most important rule of safe gun handling is always keep the muzzle pointed in a safe direction!!!

## **THIS BOOKLET**

The safety warnings in this booklet are important. By understanding the dangers inherent in the use of any firearm, and by taking the precautions described herein, you can enjoy complete safety in the use of your Taurus revolver or pistol. Failure to heed any of these warnings may result in serious injury to you or others, as well as severe damage to the firearm or other property.

## **DANGEROUS WEAPONS**

REVOLVERS and PISTOLS are classified as FIREARMS or DANGEROUS WEAPONS and are sold by us with the specific understanding that we are not responsible in any manner whatsoever for their improper or negligent handling or resale under local laws and regulations.

TAURUS shall not be responsible in any manner whatsoever for malfunctioning of the firearm, or for physical injury or property damage, resulting in whole or in part from (1) criminal or negligent discharge, (2) improper or careless handling, (3) unauthorized modifications, (4) defective, improper hand-loaded, or reloaded ammunition, (5) neglect, or (6) other influences beyond our direct and immediate control. This limitation applies regardless of whether liability is asserted on the basis of contract, negligence or strict liability (including any failure to warn). Under no circumstance shall Taurus be liable for incidental or consequential damages, such as loss of use of property, commercial loss and loss of earnings or profits.

## **SAFETY WARNINGS**

### **NOT JUST FOR BEGINNERS**

Regardless of your familiarity or experience with firearms, don't assume that you have no need to study this manual.

The safe handling of firearms requires specialized training, discipline and caution. Firearms, by their nature and intended function, are deadly instruments. Accidental death or serious injury can result if they are handled improperly or carelessly.

Firearms rarely cause accidents. Firearms accidents almost always are caused by a failure to obey the basic rules of gun safety. Unfortunately, experienced shooters are found to violate these rules as frequently as beginners. Thus the basics of safe firearms handling cannot be repeated too often. Read, re-read and memorize the basic principles of firearms safety until they become second nature: habits that you don't forget.

If you have any question about your knowledge or ability to use this or any other firearm with complete safety you should seek supervised instruction. Personalized instruction is often available from gun dealers, gun clubs, state hunter safety programs or police departments in the United States. If none of these sources is accessible, write to the National Rifle Association, Washington, D.C. 20036. **THEY WILL ASSIST YOU.**

A person with a gun in his possession has a full-time responsibility. He must **KNOW** how to keep and use his firearm safely, and then must always **TAKE** the precautions necessary - all of them. He cannot guess; he cannot forget. This responsibility is his alone. It cannot be passed off to someone else.

Remember: no gun can be made accident-proof. A gun is just a machine, with no judgement of its own. It responds to your actions, whether wise or foolish. The only truly effective safety device is the mind of a cautious shooter who never forgets that a moment's carelessness can produce permanent tragedy.

## GUNS ARE NOT ALIKE

Many makes and models of firearms might LOOK nearly the same. However, they differ widely in design and operation, and in the location and function of various controls.

Study this manual thoroughly. Educate yourself on the characteristics and operation of your particular firearm before attempting to handle it. Do not permit others to handle it - unless they also have done so.

You should have an instruction manual for every firearm you own. If you do not, write the manufacturer and obtain one. Most manufacturers will gladly send you one free. If for any reason a manual is not available, visit your public library. Many books have been published which contain detailed information on obsolete or discontinued firearms.

Your knowledge can prevent injuries.

**The Taurus handgun was designed and is made to offer the maximum of safety when correctly used. However, as with any other weapon, it is not foolproof, and may become very dangerous if the following basic recommendations are not RIGIDLY observed:**

### ATTENTION

1. Never, never-ever point any gun, loaded or unloaded, at anything you do not intend to shoot.
2. Always treat every gun as if it were loaded.
3. Get instruction from a competent firearms instructor before using any gun.
4. The safety is only a mechanical device, not a substitute for common sense.
5. Keep your finger off the trigger until you are actually aiming at the target ready to shoot.
6. Be certain the gun is unloaded before cleaning.
7. Always empty guns before entering a place where there are people.
8. Never leave a loaded gun unattended.
9. Store guns and ammunition separately, beyond the reach of children.
10. Don't test the safety by pulling the trigger while the safety is on unless you are absolutely sure the gun is empty and you are pointing away from everyone.
11. Be sure of your target and backstop before you shoot.
12. Guns and alcohol or drugs don't mix.
13. Never pull a gun towards you by the muzzle. Don't climb a tree or cross a fence with a loaded gun.

14. Load and unload with the muzzle pointed in a safe direction.  
15. If a gun fails to fire when the trigger is pulled, keep it pointed at the target for at least 30 seconds. Sometimes slow primer ignition will cause a "hang" fire and the cartridge will go off after a short pause.

16. Never shoot at hard flat surfaces or water... bullet may ricochet.

17. When receiving a gun always check that it is unloaded (Pistols: Remove magazine and open slide to check if chamber is empty. Revolvers: Open cylinder to check if it is empty), even if you saw it done previously.

18. Never put your hand over the muzzle of a gun.

19. Check ammo to be sure it is the right size and caliber, and that it is not dented.

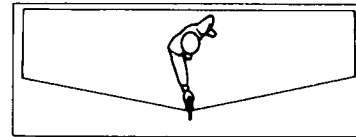
20. Use a proper holster and draw only if you intend to shoot.

21. Never cock the gun until you are ready to shoot.

22. Dry firing is bad for this gun, whether the hammer block is engaged or not.

23. WHILE HANDLING ANY FIREARM, NEVER ALLOW IT TO POINT AT ANY PART OF YOUR BODY OR AT ANOTHER PERSON. NO HARM SHOULD RESULT IF YOU OBEY THIS RULE, EVEN IF AN ACCIDENTAL DISCHARGE OCCURS.

24. Revolvers have "SIDE BLAST" or "CYLINDER BLAST", hot gases and particles escaping at high speeds to the sides of the gun from the clearance gap



between the cylinder and barrel. Keep people behind and away from you and keep your hands and body clear of the sides of the revolver when firing.

25. If there is any reason to suspect that a bullet is obstructing the barrel, immediately unload the firearm and look through the bore. It is not sufficient to merely look in the chamber.

26. Treat this gun as a precision instrument.

27. Old or reloaded ammo may be dangerous. We recommend against using it.

28. Never carry any handgun in your pocket, purse or waistband. Use a pistol case or proper holster with safety flap or strap.

29. Don't try to change your gun's trigger pull, because alteration of trigger pull usually affects sear engagement and may cause accidental discharge.

30. Write to us concerning any items or circumstances which might relate to your safety and the operation of our products.

## WARNING

Taurus revolvers were manufactured to perform properly with the original parts as designed. It is your duty to make sure any parts you buy are installed correctly and that neither replacements nor originals are altered or changed. Your gun is a complex tool with many parts that must relate correctly to other parts. Putting a gun together wrong or with modified parts can result in a damaged gun, danger and injury or death to you and others through malfunction.

Always have a qualified gunsmith work on your gun.

## PROTECT YOUR EYES AND EARS

Always wear adequate shooting glasses and ear plugs or "ear muff" type protectors whenever you are shooting.

Always make certain that persons close to you are similarly protected.

Unprotected eyes may be injured by powder, gas, carbon residue, lubricant, metallic particles or similar debris which may emanate occasionally from any firearm in normal use.

Without ear protection, repeated exposure to shooting noise may lead to cumulative, permanent hearing loss.



## AMMUNITION

1. Use only high quality, original, factory-manufactured ammunition. Do not use cartridges that are dirty, wet, corroded, bent or damaged. Do not oil cartridges. Do not spray aerosol-type lubricants, preservatives, or cleaners directly onto cartridges or where excess spray may flow into contact with cartridges. Lubricant or other foreign matter on cartridges can cause potentially dangerous ammunition malfunctions. Use only ammunition of the caliber for which your firearm is chambered. The proper caliber is permanently engraved on your firearm; never attempt to use ammunition of any other caliber.

2. The use of reloaded, "remanufactured", hand-loaded, or other non-standard ammunition voids all warranties. Improperly loaded ammunition voids all warranties. Improperly loaded ammunition can be extremely dangerous. Severe damage to the firearm and serious injury to the shooter or to others may result. Always use ammunition that complies with the industry performance standards established by the Sporting Arms and Ammunition Manufacturers Institute, Inc., of the United States, (SAAMI) or the equivalent from other countries.

3. Firearms may be severely damaged and serious injury to the shooter or to others may result from any condition causing excessive pressure inside the chamber or barrel during firing. Excessive pressure can be caused by obstructions in the barrel, propellant powder overloads, or by the use of incorrect cartridges or defectively assembled cartridges. In addition, the use of a dirty, corroded, or damaged cartridge can lead to a burst cartridge case and consequent damage to the firearm and personal injury from the sudden escape of high-pressure propellant gas within the firearm's mechanism.

4. Immediately stop shooting and check the barrel for a possible obstruction whenever:

- . You have difficulty in, or feel unusual resistance in, chambering a cartridge, or
- . A cartridge misfires (does not go off), or
- . The mechanism fails to extract a fired cartridge case, or
- . Unburned grains of propellant powder are discovered spilled in mechanism, or
- . A shot sounds weak or abnormal.

In such cases it is possible that a bullet is lodged part way down the barrel. Firing a subsequent bullet into the obstructed barrel can wreck the firearm and cause serious injury to the shooter or to bystanders.

5. Bullets can become lodged in the barrel.

. If the cartridge has been improperly loaded without propellant powder, or if the powder fails to ignite (Ignition of the cartridge primer alone will push the bullet out the cartridge case, but usually does not generate sufficient energy to expel the bullet completely from the barrel).

. If the bullet is not properly seated tightly in the cartridge case. When such a cartridge is extracted from the chamber without being fired, the bullet may be left behind in the bore at the point where the rifling begins. Subsequent chambering of another cartridge may push the first bullet further into the bore.

6. If there is any reason to suspect that a bullet is obstructing the barrel, immediately unload the firearm and look through the bore. It is not sufficient to merely look in the chamber. A bullet may be lodged some distance down the barrel where it can not easily be seen.

**IF A BULLET IS IN THE BORE, DO NOT ATTEMPT TO SHOOT IT OUT BY USING ANOTHER CARTRIDGE, OR BY BLOWING IT OUT WITH A BLANK OR ONE FROM WHICH THE BULLET HAS BEEN REMOVED. SUCH TECHNIQUES CAN GENERATE EXCESSIVE PRESSURE, WRECK THE FIREARM AND CAUSE SERIOUS PERSONAL INJURY.**

If the bullet can be removed with a cleaning rod, clean any unburned powder grains from the bore, chamber, and mechanism before resuming shooting. If the bullet cannot be dislodged by tapping it with a cleaning rod, take the firearm to a gunsmith.

7. Dirt, corrosion, or other foreign matter on a cartridge can impede complete chambering and may cause the cartridge case to burst upon firing. The same is true of cartridges which are damaged or deformed.

8. Do not oil cartridges, and be sure to wipe the chamber clean of any oil or preservative before commencing to shoot. Oil interferes with the friction between cartridge case and chamber wall that is necessary for safe functioning, and subjects the firearm to stress similar to that imposed by excessive pressure.

9. Use lubricants sparingly on the moving parts of your firearm. Avoid excessive spraying of any aerosol gun care product, especially where it may get on ammunition. All lubricants and aerosol spray lubricants in particular, can penetrate cartridge primers and cause misfires. Some highly penetrative lubricants can also migrate inside cartridge cases and cause deterioration of the propellant powder; on firing, the powder may not ignite. If only the primer ignites, there is danger that the bullet may become lodged in the barrel.

Taurus revolvers were designed to use cartridges loaded to the limits shown below. Other cartridges of various types or bullet weights may or may not function acceptably; such ammunition should be thoroughly tested by the user before relying on it. Because of the widely differing specifications of such other ammunition, Taurus cannot be responsible for malfunctions resulting from its use.

CALIBER	BULLET WEIGHT	MUZZLE VELOCITY
22 LR	40 GR	1280 FPS
22 WRF MAGNUM	40 GR	1480 FPS
22 HORNET	45 GR	2690 FPS
32 S&W LONG	98 GR	789 FPS
32 H&R MAGNUM	95 GR	1100 FPS
38 SPL	158 GR	755 FPS
357 MAGNUM	158 GR	1450 FPS
40	180 GR FMJ	985 FPS
41 MAGNUM	210 GR	1300 FPS
44 S&W SPL	200 GR	900 FPS
44 MAGNUM	240 GR	1350 FPS
45 ACP	225 GR FMJ	900 FPS
45 COLT	255 GR	900 FPS
454 Casull	300 GR	1625 FPS

GR = grains  
FPS = Feet per second

“ Plus-P”, “Plus-P-Plus” or other ultra or high velocity ammunition generates pressures significantly in excess of the pressures associated with standard ammunition. Such pressures may affect the useful life of the firearm or exceed the margin of safety built into many revolvers and could therefore be DANGEROUS.

### **WARNING**

Discharging firearms in poorly ventilated areas, cleaning firearms, or handling ammunition may result in exposure to lead and other substances known to cause birth defects, reproductive harm, and other serious physical injury. Have adequate ventilation at all times. Wash hands thoroughly after exposure.

## POSITION FOR TARGET SHOOTING

Take such stance that your body faces the target at a 90 degree angle. Keep your feet 1 ft. to 1 1/2 ft. apart. Raise your arm so that it lines up naturally with the target. Your head should be turned as needed, so as to have a good sight picture. When you are in a correct position, aim the gun and squeeze the trigger.

## AIMING

Align the front and rear sights carefully. The top of the front sight must be leveled with the top of the rear sight and set in the middle of the rear sight notch. The bullseye should rest on the top of the sights.

## SQUEEZE OF THE TRIGGER

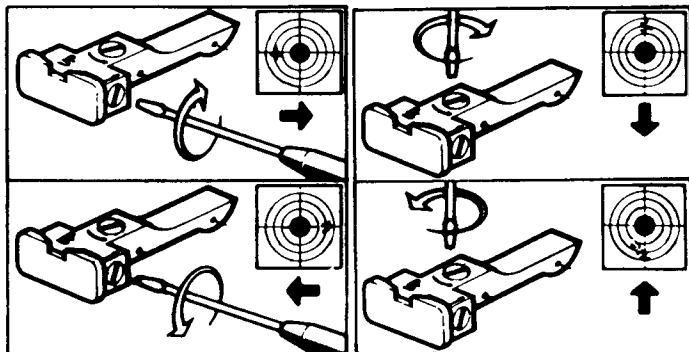
Squeeze the trigger carefully with index-finger, keeping sight aligned with the target. If the trigger is jerked, the target will possibly be missed due to the movement of the gun. The pressure should be applied between the tip and the first joint of the finger. Press slowly and carefully. More speed will be gained with practice.

## ADJUSTING THE SIGHTS

Adjustable Sight Models Only

To raise the rear sight, turn the elevation adjusting screw counterclockwise. To lower the rear sight turn the screw clockwise. When raising the sight the point of impact rises. Lowering the sight, the point is lowered. The rear sight can also be adjusted for windage. Turn the windage adjusting screw clockwise to move the notch to right side, and counter-clockwise to move the notch to left side.

**ATTENTION** - For vertical adjustment on models 741, 94 and 941, use the reverse of the above. For windage adjustment use the two opposed screws that affix the sight blade.



## CARE AND MAINTENANCE

- A. The gun may be cleaned and lubricated under normal conditions without the need of any disassembly.
- B. In special conditions, such as repairs, when disassembling is necessary, it is recommended the gun be returned to the factory or sent to a competent gunsmith or to the importer.
- C. In order to keep a gun in perfect condition it must be kept clean and covered with a slight film of good quality oil to prevent corrosion. This is specially necessary after use.
- D. For normal cleaning of handgun not used or kept in storage for some time, it is necessary to rub it with a lightly oiled cloth. In the same way proceed with the bore of the barrel. The excess oil must be removed, but a thin protecting film should remain. Also the dust should be removed from all crevices with a small, clean brush.
- E. For cleaning after shooting, it is of special importance that all residues of powder be removed from barrel and other adjacent areas subject to such deposits, using an appropriate brush. If particles of lead are detected in barrel they must be scrubbed with a brass brush, drenched with oil. Once cleaned, lubrication should be done as above described.
- F. Do not keep handguns in contact with materials that attract moisture or possess a certain degree of acidity, or in environments with great variation of temperature or of humidity. Avoid the use of holsters of cloth or of any other material except natural leather appropriately cured.
- G. If the weapon is to be stored for a long period of time, extreme care should be taken with metal surfaces, in order to protect them against corrosion.

## **TAURUS LIMITED WARRANTY**

### ***What Does This Warranty Cover?***

This warranty covers any service and repair needed by any product manufactured by Forjas Taurus S.A. and imported by Taurus International Manufacturing, Inc. or manufactured in the United States by Taurus International Manufacturing, Inc.

### ***How Long Does Coverage Last?***

This warranty is of unlimited duration.

### ***What Will We Do?***

Taurus will service and/or repair all covered products free of charge.

### ***What Does This Warranty Not Cover?***

This warranty does not cover grips, sights, accessories, cosmetic defects after one year, or damage caused by customer abuse at any time.

This express limited warranty is the only warranty on this product. This product is sold "as is" and has no implied warranties of merchantability or fitness for a particular purpose. There are no warranties which extend beyond the description on the face hereof.

### ***How Do I Get Service?***

To simplify repair and service Forjas Taurus and Taurus International products are serviced and repaired by Taurus International. Questions regarding the products of either company can be directed to Taurus International in Miami, Florida at 1-305-624-1115 or in writing to:

16175 N.W. 49th Avenue  
Miami, Florida 33014

in care of the Consumer Affairs Department.

In order to obtain warranty service or repair you must first complete and return the enclosed warranty registration card within 10 days of the date of purchase. Then, if a problem should arise, describe the problem in writing and send the gun to Taurus International at the above address, insured and pre-paid with the written description of the problem enclosed.

Within 4 business days of when we receive your gun, we will inspect it to determine the source of your problem and our Customer Service Department will contact you regarding correction of the problem and when to expect your gun back. We will ship guns serviced because of defect in materials or workmanship insured and pre-paid. We will ship guns repaired out of warranty C.O.D. There will, of course, be no charge for parts or labor if the repair work performed is covered by this express warranty.

### ***How Does State Law Apply?***

This warranty gives you specific legal rights and you may also have other rights which vary from state to state.

## **LOADING**

1. Always make sure the muzzle is pointed in a safe direction.
2. Never attempt to load or unload any firearm inside a vehicle, building or other confined space (except a properly constructed shooting range). Enclosed areas frequently do not offer a completely safe direction to point the firearm; if an accidental discharge occurs, there is a great risk of injury or property damage.
3. Before loading, always clean all grease and oil from the bore and chamber, and check to be certain that no obstruction is in the barrel. Any foreign matter in the barrel could result in a bulged or burst barrel or other damage to the firearm, and could cause serious injury to the shooter or to others.

## **FIRING**

1. Keep the muzzle pointed in a safe direction and your finger away from the trigger when cocking any firearm.
2. Never carry, handle or leave unattended any firearm which is cocked and ready to fire. When cocked, it will fire from slight pressure on the trigger. An accidental discharge could easily result if you fall or drop the firearm, or if the firearm is struck or disturbed by someone or something.
3. If while shooting, your firearm develops ANY mechanical malfunction or binding, or "spits" powder, gas, or if a cartridge primer is punctured or a cartridge case is bulged or ruptured, or if the report on firing does not sound quite right, STOP SHOOTING IMMEDIATELY. It may be dangerous to continue. UNLOAD THE FIREARM. DO NOT try "one more shot". Take the firearm and ammunition to a gunsmith for examination.

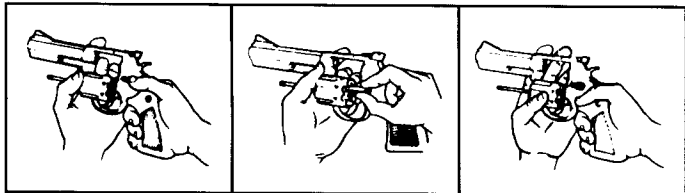
## REVOLVER OPERATION

The Taurus revolver has a swing out type cylinder with various numbers of chambers, turning around a central axis which allows you to fire (five, six, seven, eight or nine) shots. When the cylinder is locked in position, the revolver is ready for firing. The shots may be fired by single action (by cocking the hammer and thereafter, pulling the trigger) or by double action (by merely pulling the trigger). Concealed hammer models are double action only. Cocking the revolver in both single and double action causes the cylinder to advance, aligning in succession, each of the chambers with the barrel. The cadence of shooting is limited by the shooter's skill in loading the cylinder and his ability in operating the gun.

## LOADING THE CYLINDER

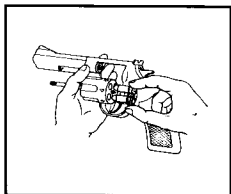
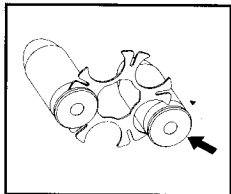
With the thumb of the right hand, push the thumb piece forward and at the same time press the cylinder, swinging it out to the left. ATTENTION: On Model 454, 455, 22H and 480 using the left thumb, press down the front latch simultaneously. Holding the gun with the muzzle pointing downward and the cylinder in its outermost position insert the cartridges.

Once loaded, the cylinder must be closed again to its original position in the frame. After this the locking must be checked. To unload the revolver, the process is the same as to load it, but after opening, the barrel is pointed upward. Cartridges are then ejected by pressing sharply on the extractor rod. Be sure that all fired cartridges are ejected. The cylinder is now ready to be reloaded.



## ATTENTION:

For models 405 (Cal. 40) and 455 (Cal. 45 ACP) the cartridges should be loaded in the "clip" which come with the gun. This will allow you to extract the rimless cases from the cylinder. (see figure)



## PARTS

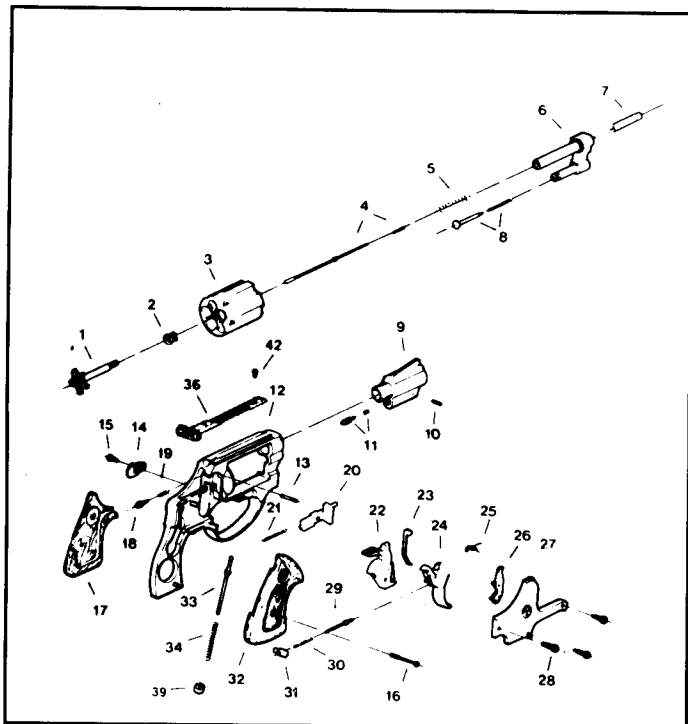
All firearms require periodic maintenance and inspection which may reveal a need for adjustment or repair. Have your firearm checked by a competent gunsmith annually, even if it seems to be working well, since breakage, improper functioning, undue wear, or corrosion of some components may not be apparent from external examination. If you notice ANY mechanical malfunction, do NOT continue to use the firearm. UNLOAD the firearm and take it to a competent gunsmith immediately.

Our Service Department maintains a full complement of replacement parts for our firearms of current manufacture. Even though most gunsmiths have the knowledge, training and ability to make the necessary repairs to your firearm, the skill and workmanship of any particular gunsmith is totally beyond our control. Should your firearm ever require service, we strongly recommend that you return it to Taurus. Follow the instructions outlined below. Remember, unauthorized adjustments or parts replacement can void your warranty. It is the responsibility of the purchaser to be absolutely certain that any parts ordered from Taurus are of the correct type and are properly fitted and installed by a competent person. THIS FIREARM IS A PRECISION MECHANISM AND THE IMPROPER FITTING OF PARTS OR IMPROPER MECHANICAL ADJUSTMENT MAY RESULT IN A DANGEROUS MALFUNCTION, DAMAGE TO THE FIREARM, AND POSSIBLE SERIOUS INJURY TO THE SHOOTER OR TO OTHERS.

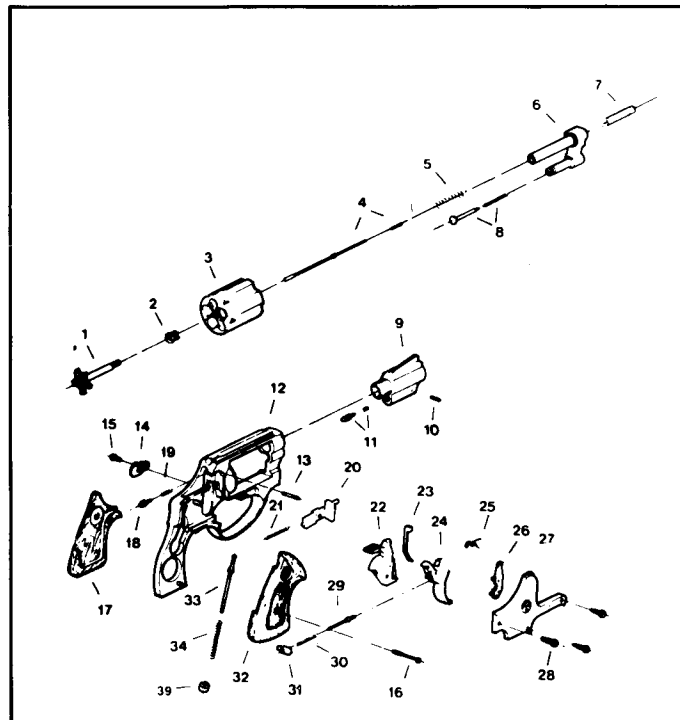
Therefore, the purchaser and/or installer of parts must accept full responsibility for the correct adjustment of and function of the firearm after such installation has been made or attempted.



## EXPLODED VIEWS OF TAURUS REVOLVERS



## EXPLODED VIEWS OF TAURUS REVOLVERS



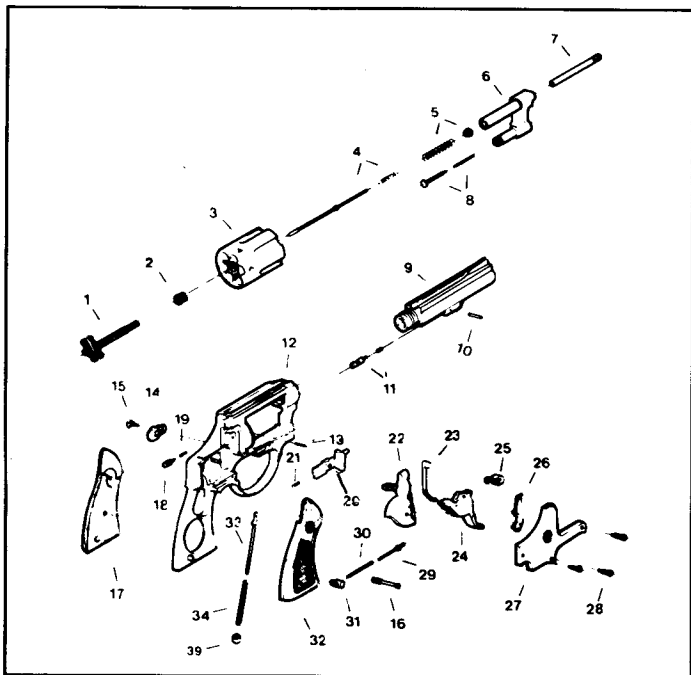
### SMALL FRAME ADJUSTABLE SIGHTS REVOLVERS

	MOD. 94	MOD. 741	MOD. 941	MOD. 94 UL	MOD. 941 UL
Caliber	.22 Long Rifle	.32 H&R Magnum	.22 WMRF	.22 LR	.22 WMRF
Number of shots	9	6	8	9	8
Barrel	3" 4"	3"	3" 4"	2"	2"
Total length	7 3/4" 8 3/4"	7 3/4"	7 3/4" 8 3/4"	6 3/4"	6 3/4"
Weight	24 3/4 oz. 26 oz.	23 1/2 oz.	25 1/2 oz. 27 1/2 oz.	17 oz.	17 oz.
Front sight	Serrated ramp	Serrated ramp	Serrated ramp	Serrated ramp	Serrated ramp
Rear Sight	Adjustable for windage & elevation				
Grips	Rubber				
Finish	Blue or Stainless				

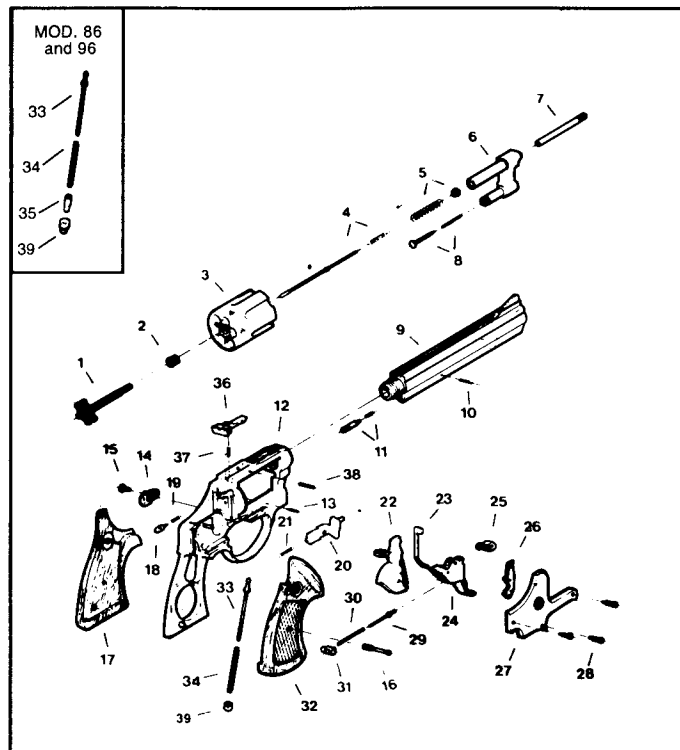
### SMALL FRAME FIXED SIGHTS REVOLVERS

	MOD. 731 MOD. 731 TI	MOD. 85 MOD. 85 TI	MOD. 85 UL MOD. 85 UL/TI	MOD. 850 MOD. 850 TI	MOD. 605	MOD. 650
Caliber	.32 H&R Magnum	.38 Special	.38 Special	.38 Special	.357 Magnum	.357 Magnum
Number of shots	6	5	5	5	5	5
Barrel	2"	2" 3"	2"	2"	2"	2"
Total length	6 1/4"	6 1/4" 7 1/4"	6 1/4"	6 1/2"	6 3/4"	6 1/2"
Weight	21 oz. 15 oz. (TI)	21 oz. 16 oz. (TI)	17 oz. (UL) 14 1/4 oz. (UL/TI)	23 oz. 18 oz. (850 TI)	24 1/2 oz.	23 oz.
Front sight	Serrated ramp					
Rear Sight	Fixed					
Grips	Rubber					
Finish	Blue or Stainless					

## EXPLODED VIEWS OF TAURUS REVOLVERS



## EXPLODED VIEWS OF TAURUS REVOLVERS

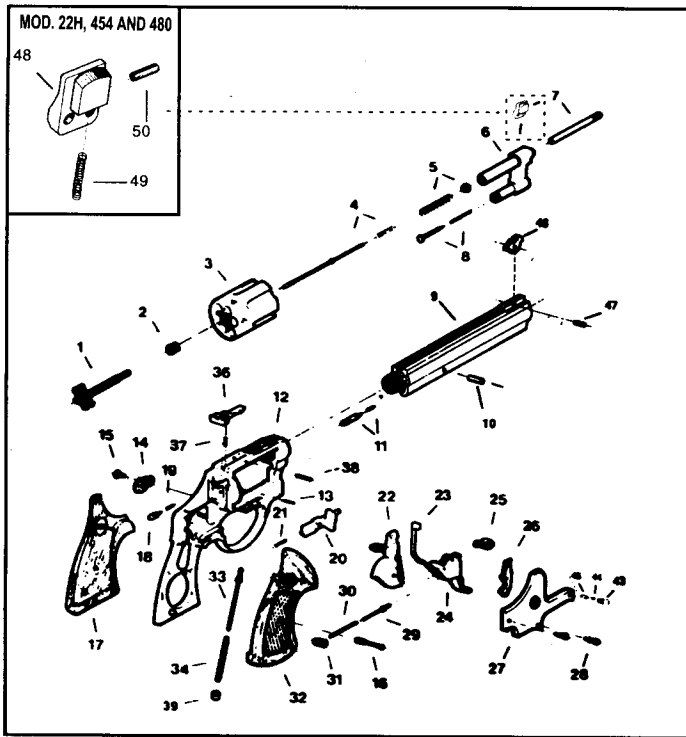


	MOD. 415 MOD. 415 TI	MOD. 445 MOD. 445 TI MOD. 445 UL	MOD. 450 MOD. 450 TI MOD. 450 UL	MOD. 617 MOD. 617 TI	MOD. 817 UL	MOD. 405	MOD. 455
Caliber	.41 Magnum	.44 Special	.45 Colt	.357 Colt	.38 Colt	.40	.45 ACP
Number of shots	5	5	5	7	7	5	5
Barrel	2 1/2"	2"	2"	2"	2"	2"	2" 4" AND 6 1/2"
Total length	7 1/2"	7"	7"	7"	7"	7"	11 1/2" (6 1/2" Barrel)
Weight	29 oz. 21 oz. (TI)	28 1/2 oz. 20 1/2 oz. (TI) 20 oz. (UL)	28 oz. 20 oz. (TI) 19 3/4 oz. (UL)	29 oz. 20 1/2 oz. (TI)	20 oz.	20 1/2 oz.	38 oz. (6 1/2" Barrel)
Front sight	Serrated ramp						
Rear Sight	Fixed					Micrometer	
Grips	Rubber						
Finish	Blue or Stainless				Shadow Gray	Stainless	

## MEDIUM FRAME REVOLVERS

	MOD. 65	MOD. 80 MOD. 82	MOD. 66 MOD. 669	MOD. 689	MOD. 980	MOD. 981
Caliber	.357 Magnum	.38 Special	.357 Magnum	.357 Magnum	.22 LR	.22 WMRF
Number of shots	6	6	6	6	7	7
Barrel	3" 4"	3" 4"	3" 4" 6"	4" 6"	12"	12"
Total length	8 3/4" 9 1/4"	8 1/4" 9 1/4"	8 1/4" 9 1/4" 11 3/4"	9 3/4" 11 1/4"	17 3/8"	17 3/8"
Weight	35 oz. 36 3/4 oz.	32 oz. 33 oz.	35 oz. 37 oz. 40 1/4 oz.	36 1/2 oz. 40 1/4 oz.	56 1/2 oz.	56 1/2 oz.
Front sight	Serrated ramp				Patridge Style	
Rear Sight	Fixed		Micrometer click, adjustable for windage and elevation			
Grips	Rubber					
Finish	Blue or Stainless					

## EXPLODED VIEWS OF TAURUS REVOLVERS



### LARGE FRAME REVOLVERS

	MOD. 22H	MOD. 608	MOD. 44	MOD. 454	MOD. 480
Caliber	.22 Hornet	38 / 357	44 Magnum	454 Casull	480 Ruger
Number of shots	8	8	6	5	5
Barrel	10"	4" 6 1/2"	4" 6 1/2" 8 3/8"	6 1/2" 8 3/8"	8 3/8"
Total length	15 3/8"	9 3/8" 11 7/8"	9 3/8" 11 7/8" 13 3/4"	12" 13 3/4"	13 3/4"
Weight	76 oz.	44 oz. 51 oz.	44 3/4 oz. 52 1/2 oz. 57 1/4oz.	53 oz. 57 1/4 oz.	57 oz.
Front sight	Partridge Style	Serrated ramp		Partridge Style	
Rear Sight	Micrometer click, adjustable for windage and elevation				
Grips	Rubber				
Finish	Blue or Stainless			Stainless	

## REVOLVERS PARTS LIST

ITEM	NAME
1	Extractor
2	Cylinder retaining bushing
3	Cylinder
4	Center pin with spring
5	Extractor spring with rod collar
6	Yoke
7	Extractor rod
8	Cylinder stop plunger with spring
9	Barrel
10	Locking bolt pin
11	Locking bolt with spring
12	Frame
13	Firing pin retaining pin
14	Thumb piece
15	Thumb piece screw
16	Stock screw
17	Left stock
18	Firing pin
19	Firing pin spring
20	Bolt
21	Bolt spring
22	Hammer
23	Transfer bar
24	Trigger
25	Cylinder stop
26	Hand
27	Side plate
28	Side plate screw
29	Trigger spring center pin
30	Trigger spring
31	Trigger spring swivel
32	Right stock
33	Main spring center pin
34	Main spring
35	Main spring adjustable bushing
36	Rear sight
37	Rear sight spring
38	Rear sight pin
39	Main spring fixed bushing
40	Trigger stop screw
41	Trigger stop
42	Rear sight screw
43	Yoke screw
44	Yoke locking spring
45	Yoke locking pin
46	Front sight
47	Front sight pin
48	Front Latch
49	Front Latch Spring
50	Front Latch Pin

## TAURUS SERVICE POLICY

Before shipment, your firearm was carefully inspected and test fired in order to ensure that it conformed to our specifications and standards. Should your firearm require adjustment or repair, we strongly recommend that you return it to Taurus for factory service.

if there is any question regarding the performance of your firearm, please write to our Service Department fully describing all circumstances and conditions involved. If our Service Department makes the determination that your firearm requires factory service, you will be so advised and will be given instructions for the most expeditious handling of your shipment.

Our Service Department will give your firearm a complete inspection, and evaluate the problem (s) specified in your letter. If the work required is not covered under the terms of our "Warranty" (when applicable) you will receive an actual cost quotation, not an estimate. Any repair work must be authorized by you, and no work will be done without your expressed approval.

Please follow these suggestions to expedite service in the United States of America to return any firearm to us for adjustment or repair.

1. Federal law permits you to return your firearm to the manufacturer for service via common carriers such as United Parcel Service (UPS). However, state and local firearms laws vary greatly; you should consult your local prosecuting attorney regarding any restrictive laws in your jurisdiction regarding your shipment or receipt of firearms. With the above in mind, it is strongly recommended that any firearm sent to us for repair be sent through a Federally licensed dealer.
2. All firearms must be shipped to us prepaid. **WE WILL NOT ACCEPT COLLECT SHIPMENTS.**
3. Be sure to enclose a letter stating your name, address and telephone number, serial number, caliber and barrel length of your firearm. Also state nature of trouble experienced or work required. Merely stating "defective" or "repair as necessary" is inadequate information. Be specific and enclose copies of any previous correspondence. Work (other than warranty repair) will bear minimum labor charge of \$ 10.00.
4. **FIREARMS MUST BE SHIPPED UNLOADED.** Double check the chamber of your firearm before shipping. If firearms are sent to Taurus in a loaded condition, we are required by law to notify the Federal authorities.
5. **DO NOT** include telescopic sights; custom grips, holsters, or other accessories with any firearm shipped to us.



# TAURUS

This trademark, forged for over 50 years of hard and dedicated work, became a symbol of quality in handguns for civilian, police and military use. This outstanding quality is the result of constant technological evolution and from the devoted work of expert gunsmiths and highly specialized professionals, which makes TAURUS a respected name in more than 75 countries all over the world.

## **A WORD TO THE WISE**

**MOST GUN ACCIDENTS HAPPEN  
BECAUSE THE SHOOTER CARELESSLY  
VIOLATES THE SINGLE MOST  
IMPORTANT  
RULE OF SAFE GUN HANDLING:  
ALWAYS KEEP THE MUZZLE POINTED  
IN A SAFE DIRECTION!**

**IMPORTANT:**

### **DO NOT DISCARD**

**KEEP THIS MANUAL WITH YOUR  
FIREARM. UPON CHANGE OF  
OWNERSHIP  
TRANSFER THIS MANUAL WITH  
THE FIREARM.**



# **TAURUS<sup>®</sup>**

**Forjas Taurus S.A.**

Av. do Forte, 511 - Cx. Postal 44

Fone: (51) 3347.4000 - Fax: (51) 3347.3075

91360-000 - Porto Alegre - RS - Brasil



# **TAURUS<sup>®</sup>**

**Taurus International Manufacturing, Inc.**

16175 N. W. 49th Avenue

Miami, Florida 33014

Telephone (305) 624.1115 - Fax (305) 624.1126