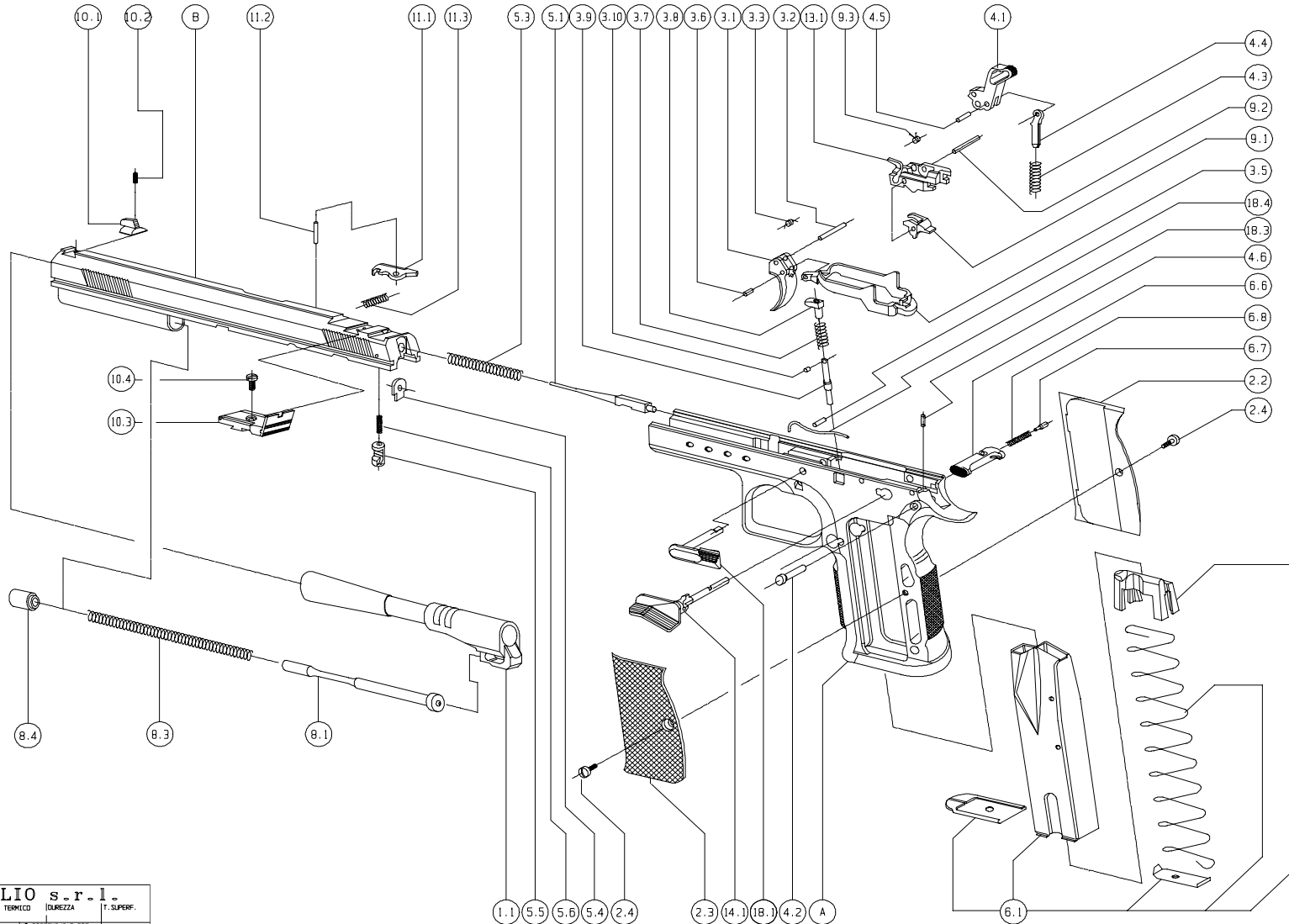


PARTS LIST

1.1 - BARREL
2.2 - RIGHT GRIP
2.3 - LEFT GRIP
2.4 - GRIP SCREWS
3.1 - TRIGGER
3.2 - TRIGGER PIN
3.3 - TRIGGER SPRING
3.5 - TRIGGER BAR
3.6 - TRIGGER BAR PIN
3.7 - TRIGGER BAR SPRING
3.8 - TRIGGER BAR GUIDE
3.9 - TRIGGER BAR PLUNGER
3.10 - TRIGGER BAR PLUNGER PIN
4.1 - HAMMER
4.2 - HAMMER PIN
4.3 - HAMMER SPRING
4.4 - HAMMER STRUT
4.5 - HAMMER STRUT PIN
4.6 - HAMMER PIN PIN
5.1 - FIRING PIN
5.3 - FIRING PIN SPRING
5.4 - FIRING PIN RETAINER
5.5 - FIRING PIN SAFETY
5.6 - FIRING PIN SAFETY SPRING
6.1 - MAGAZINE
6.6 - MAGAZINE CATCH
6.7 - MAGAZINE CATCH PLUNGER
6.8 - MAGAZINE CATCH SPRING
8.1 - RECOIL SPRING GUIDE
8.3 - RECOIL SPRING
8.4 - BUSHING
9.1 - SEAR
9.2 - SEAR PIN
9.3 - SEAR SPRING
10.1 - FRONT SIGHT
10.2 - FRONT SIGHT SCREW
10.3 - ADJUSTABLE REAR SIGHT
10.4 - ADJUSTABLE REAR SIGHT SCREW
11.1 - EXTRACTOR
11.2 - EXTRACTOR PIN
11.3 - EXTRACTOR SPRING
13.1 - SEAR HOUSING
14.1 - SAFETY
18.1 - SLIDE STOP PIN
18.3 - SLIDE STOP PIN SPRING
18.4 - SLIDE STOP PIN SPRING PIN
A - FRAME
B - SLIDE



FRATELLI TANFOGLIO s.r.l.					
DISSEGNO	RAMPINTI	MATERIALE	T. TECNICO	DUREZZA	T. SUPERF.
SCALA	DATA	30/06/97	MODELLO	IN° DISSEGNO/AD. REF.	ALTRE LAV.
PAG. N°	APPROVATO	DATA	PARTICOLARE	EXPLODED VIEW	
La diffusione e riproduzione del presente disegno è vietata ai termini di legge					