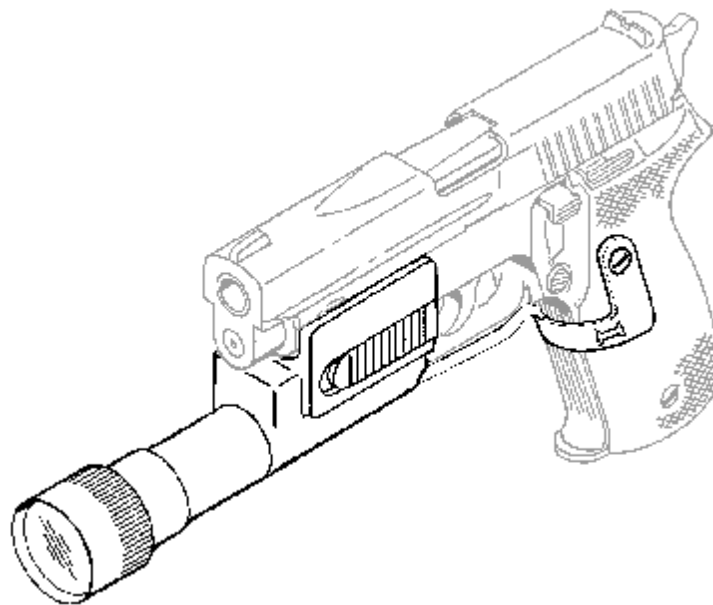




**Model H14
Housing
with SlimLine® Switch**

Users Manual



Customer Retrofit
Revision N/C 6-1_97

Model H14 SlimLine® Retrofit Switch

Introduction

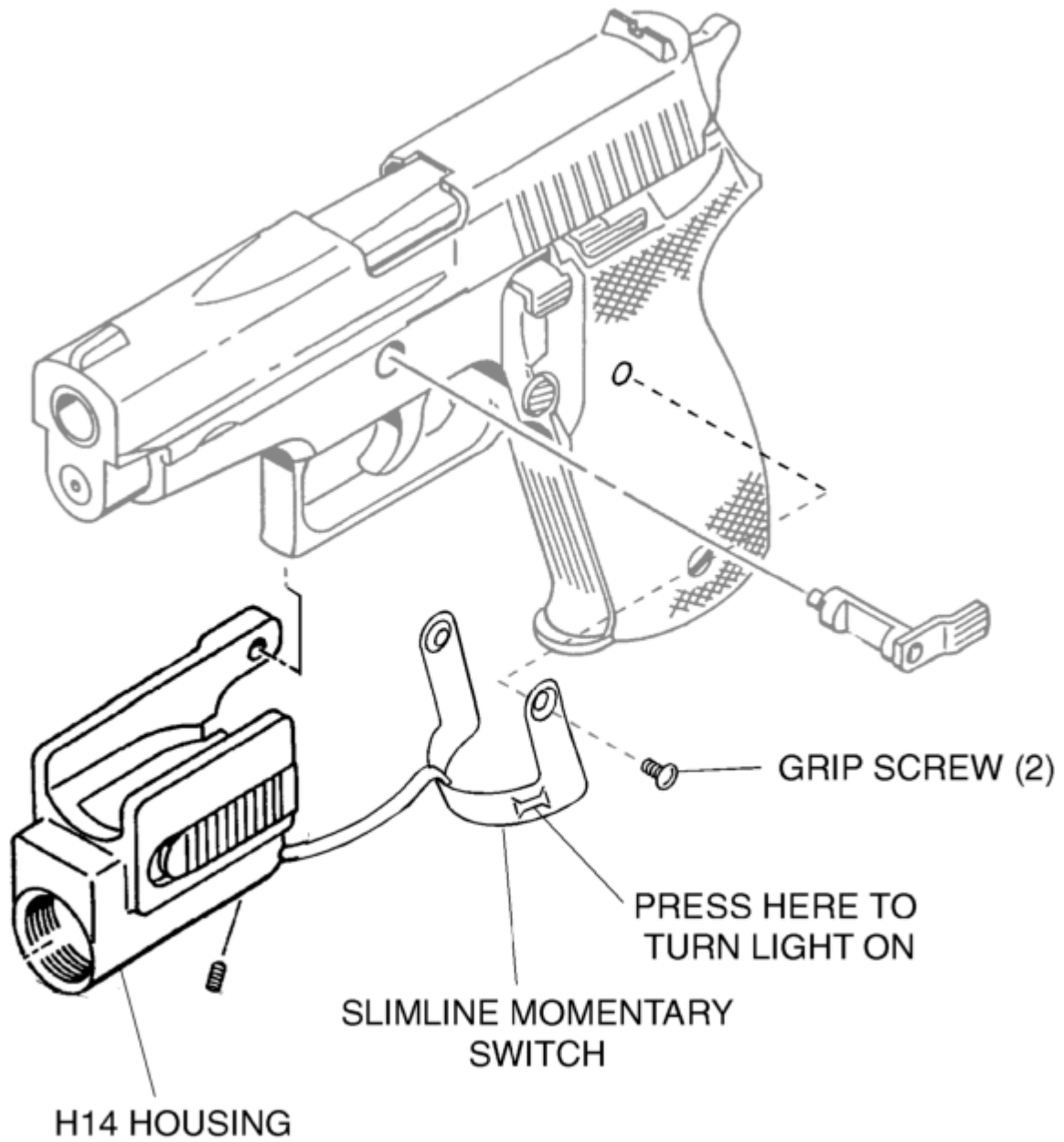
The Model H14 SlimLine® Retrofit Switch replaces the pressure switch which attached to the hand grip of the weapon with Velcro. The SlimLine Momentary Switch attaches to the hand grip with screws. Pressing on the raised area on either side of the switch will turn the light ON. Releasing pressure will turn the light OFF.

Kit Contents

- Customer Retrofitted H14 Housing
- Grip Screws (2)
- Users Manual

Installation

1. Remove the magazine from the weapon and inspect the weapon to be certain it is not loaded.
2. Remove the slide and latch.
3. Remove the upper grip screws and any washers from the hand grip.
4. With the left hand position the H14 Housing below the frame, and with the right hand squeeze the SlimLine Switch around the hand grip.
5. Install the H14 Housing onto the weapon being careful not to bend the switch wire at the attaching points.
6. Using the appropriate screwdriver install a Screw from the Kit into the left side of the SlimLine Switch part way. (Caution, do not cross thread the screw). Then install a screw into the right side part way.
7. Reinstall the slide and latch.
8. Tighten the screws until snug. **DO NOT OVER TIGHTEN.**



Model H14 SlimLine® Retrofit Switch

Repairs & Replacements

To obtain repair or replacement call Customer Service at 800-828-8809 (toll free) or 714-545-9444 and obtain a Return Authorization number (RA). Then pack the unit carefully and return (no COD's please) to:

SureFire LLC
Repairs Department, RA# ____
18300 Mt. Baldy Circle
Fountain Valley, CA 92708

Surefire will pay any reasonable shipping costs to return the unit to you.

Warranty

SureFire LLC warrants that its products will be free from defects in materials and workmanship. SureFire LLC will repair or replace (at its option), without charge, any product or part which is found to be defective under normal use and service. Such repair or replacement shall be the purchaser's sole and exclusive remedy under this warranty. This warranty does not include normal maintenance and services and does not apply to any products or parts which have been subject to modification, misuse, negligence, accident, improper maintenance or repair by anyone other than SureFire.

"Fine Print" Warranty Limitation

There is no other express warranty. SureFire LLC hereby disclaims any and all implied warranties, including, but not limited to fitness for a particular purpose. SureFire LLC shall not be liable for incidental, consequential, or special damages arising out of, or in connection with product use or performance.

um_H14R_7.601