

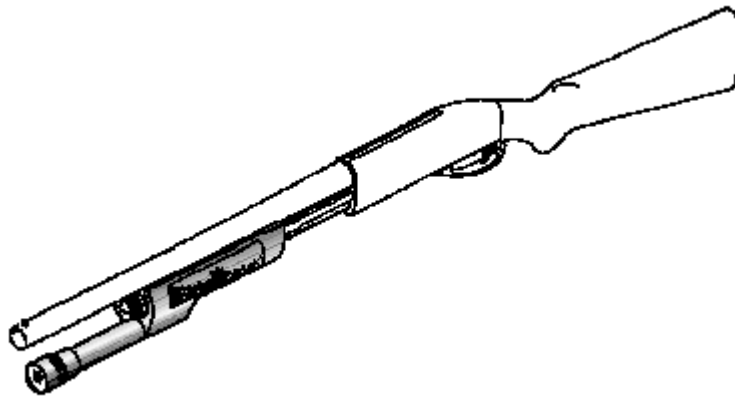


We Put the Power of Light in Your Hand

Model 918

Tactical Light

Users Manual



**Remington 870 Shotgun
12 Gauge**

Protected by US. Patent 4,856,218

Model 918 Tactical Light

Introduction

The Model 918 Tactical light provides a rugged and reliable source of high intensity light that is integrated into the fore-arm of the shotgun. The lamp is shock isolated & can be activated by pressing the Pressure Switch along the right side of the fore-arm. A switch blocker is provided for users that want to reduce the functional size of the Pressure Switch.

Kit Contents

- H18 Housing
- L90 Lamp Module
- DL323AC Battery
- Installation Tool
- Model Z10 Switch Blocker
- Alcohol Wipe
- Users Manual

Installation

1. Put safety on safe. Open action and make certain no shells remain in chamber or magazine. Close action and remove Magazine Cap and Barrel. Reach into bottom of receiver and press left shell latch inward. Slide Fore-End Tube off Magazine Tube. NOTE: Top right edge of slide may bind on bottom front of ejection port in receiver. To free slide, push front end of bolt downward.
2. Unscrew and remove Fore-End Tube Nut using Installation Tool supplied in kit and remove wooden Fore-End by pulling it straight off the Fore-End Tube.
3. Place H18 Housing onto the Fore-End Tube and reinstall Fore-End Tube Nut using Installation Tool.
4. Install Fore-End Tube on receiver by placing slide and breech bolt on the end of the Fore-End Action Bars. Insert the end of Action Bars into matching grooves in the Receiver. Move Fore-End gently rearward into receiver until contact is made with front end of right shell latch. Press front of right shell latch into side of receiver. Move Fore-End past right shell latch until contact is made with left shell latch. Press front of left shell latch inward to allow Fore-End Tube to pass and reassemble freely into receiver. Reassemble Barrel and tighten firmly with magazine cap.
5. Install Battery into the H18 Housing with the + contact facing out.
6. Screw Lamp Housing into H18 Housing.
7. Apply finger pressure to the Pressure Switch on the right side of the H18 Housing. The light should come on. Installation is now complete.

Model 918 Tactical Light

Lamp Replacement

1. Unscrew Bezel from Lamp Housing. Lift Lamp assembly out of Bezel.
2. Install replacement Lamp Assembly in Bezel and reassemble by screwing onto Lamp Housing until it is fully seated

Battery Replacement

1. Unscrew Lamp Housing from H18 Housing and shake out old battery.
2. Install new battery with the + terminal facing out.
3. Reinstall Lamp Module.

Specifications

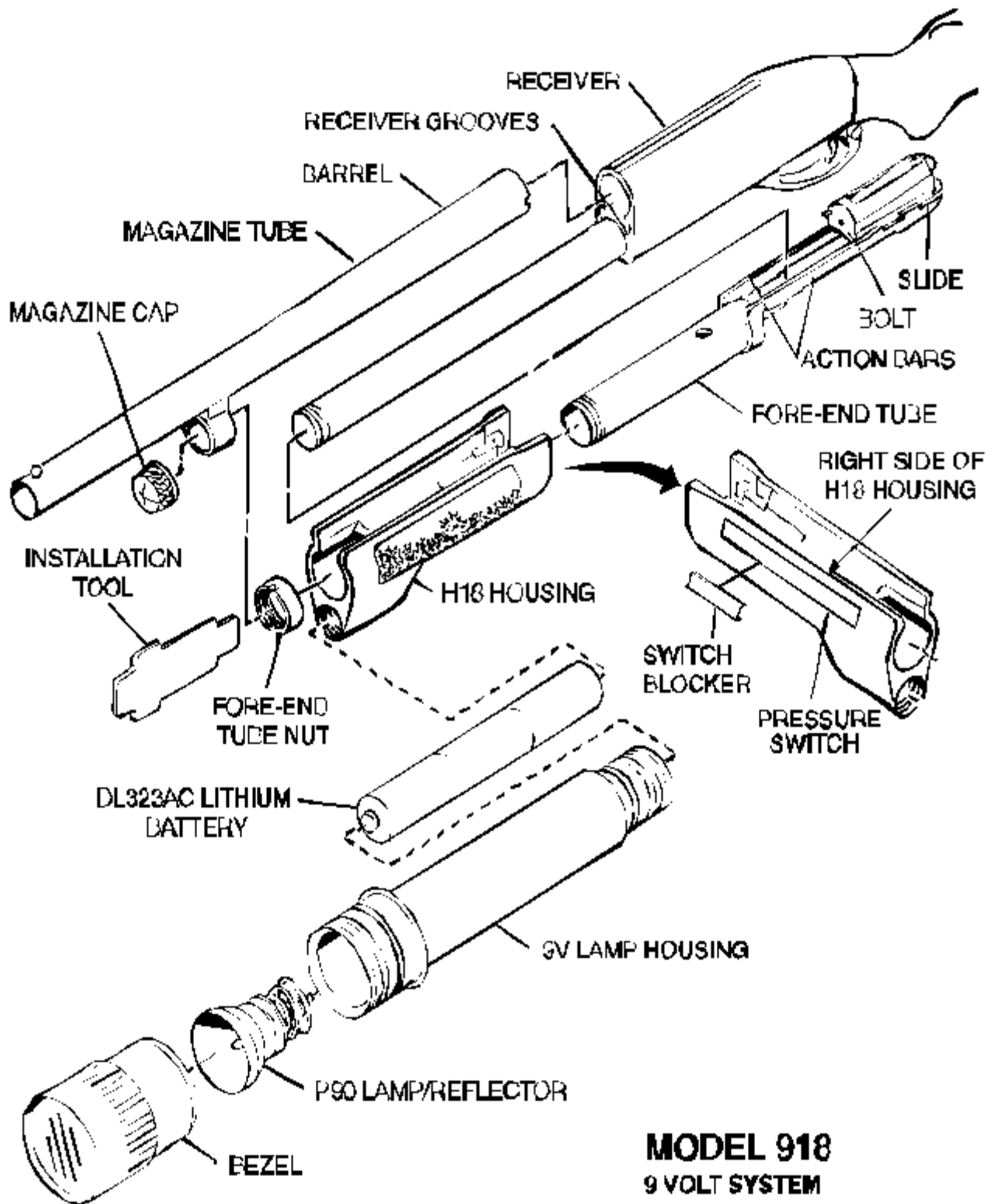
Light Output	105 Lumens
Lamp Type	High Press. Xenon
Lamp/Reflector Assy	Prefocused
Battery Type	Lithium
Run Time	Approx. 1 hour
Battery Shelf Life	5 to 10 years

Switch Blocker Installation

If you want to disable the part of the pressure switch where you rest your hand, (and don't want the light to come on) you can cover it with the Model Z10 Switch Blocker. First clean the portion of the Pressure Switch to be disabled using the Alcohol Wipe from the Kit. Then remove the paper backing from the underside of the Switch Blocker and press the Switch Blocker in place on the Pressure Switch.

WARNING

Lithium batteries can explode or cause burns if disassembled, shorted, recharged or exposed to fire or high temperatures. Please handle with care.



Model 918 Tactical Light

Caution

The battery used in the light is very powerful. Be sure that the switch is not touching anything when the light is stored. If the lamp is turned on while in a case or other container, the lamp can overheat and damage the light or surrounding materials. Remove the battery or unscrew the bezel far enough to prevent the lamp from turning on when stored.

Do not use a 3 Volt Lamp in a 6 Volt system. The lamp will BURN OUT immediately!!! To identify a lamp assembly: the 3 volt lamp has a Red label and is marked R30, the 6 volt has a Blue or Green label and is marked R60 or P60.

If it is necessary to dispose of any batteries, do not do so by fire, mutilation or by disassembly, as this may cause toxic chemicals to be released.

Repairs & Replacements

To obtain repair or replacement call Customer Service at 800-828-8809 (toll free) or 714-545-9444 and obtain a Return Authorization number (RA). Then pack the unit carefully and return (no COD's please) to:

Sure-Fire LLC
Repairs Department, RA _____
18300 Mt. Baldy Circle
Fountain Valley, CA 92708

Sure-Fire LLC will pay any reasonable shipping costs to return the unit to you.

Warranty

Sure-Fire LLC warrants that its products will be free from defects in materials and workmanship. Sure-Fire LLC will repair or replace (at its option), without charge, any product or part which is found to be defective under normal use and service. Such repair or replacement shall be the purchaser's sole and exclusive remedy under this warranty. This warranty does not include normal maintenance and services and does not apply to any products or parts which have been subject to modification, misuse, negligence, accident, improper maintenance or repair by anyone other than Sure-Fire LLC.

"Fine Print" Warranty Limitation

There is no other express warranty. Sure-Fire LLC hereby disclaims any and all implied warranties, including, but not limited to fitness for a particular purpose. Sure-Fire LLC shall not be liable for incidental, consequential, or special damages arising out of, or in connection with product use or performance.

um_H18B_8.801