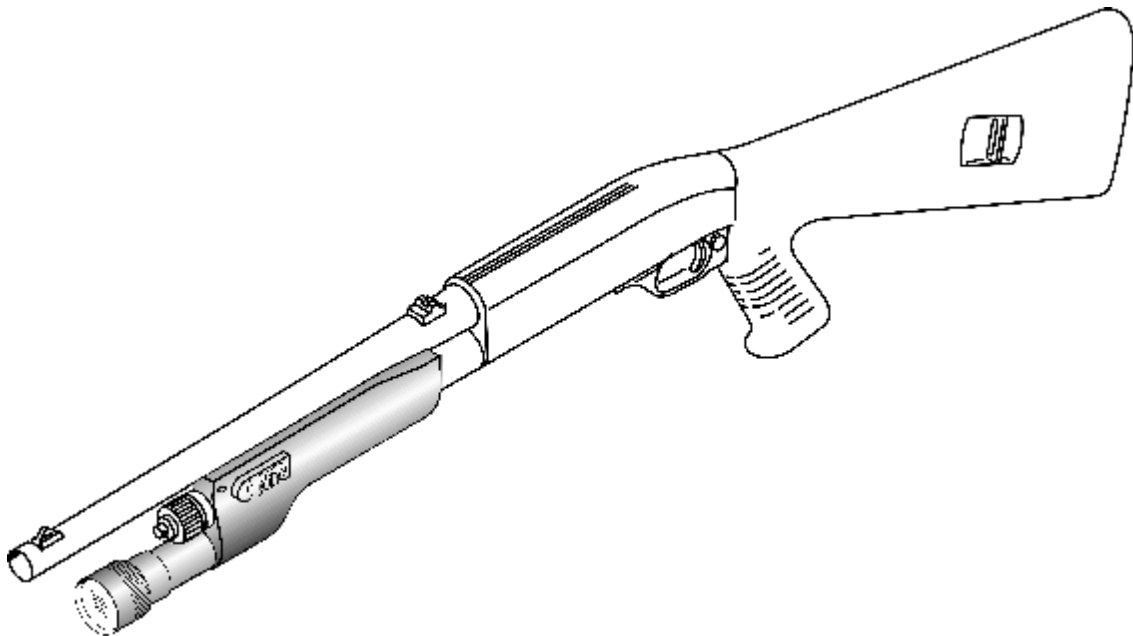




**Model 617FG**  
**Benelli**  
**Tactical Light**

---

***Users Manual***



**Benelli Shotgun**

M1 Super 90 12 Gauge  
Serial No. M104801 and later

---

Protected by US. Patent 4,856,218

Revision A 7\_1\_99

# Model 617FG Tactical Light

---

## Introduction

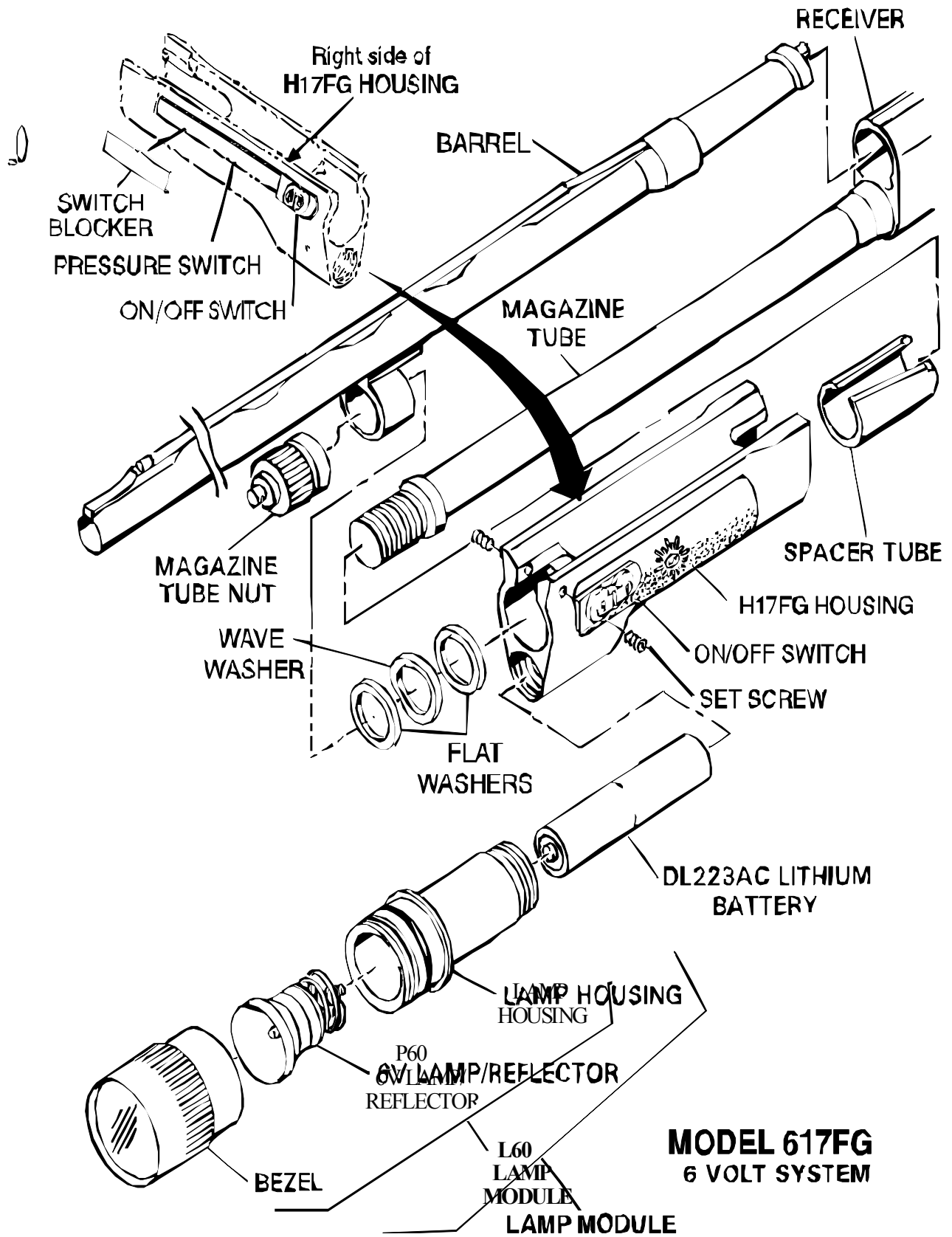
The Model 617FG Tactical Lights provide a rugged and reliable source of high intensity light that is integrated into the fore-arm of the shotgun. The lamp is shock isolated. There are three switches built into the H17FG Housing. A two button ON/OFF switch on the left side, wired in parallel, provides the means to turn the light ON and have it stay ON until it is turned OFF. A two button ON/OFF switch and a Pressure Switch are located on the right side and wired in series. When the ON/OFF switch is ON the Pressure Switch will turn the light ON when pressure is applied to the switch and OFF when pressure is released. When the ON/Off switch is OFF, the Pressure Switch is deactivated. A switch blocker is provided for users that want to reduce the functional size of the pressure switch.

## Kit Contents

- H17FG Housing
- L60 Lamp Module
- DL223AC Battery
- Spacer Tube
- Hex Wrench
- Model Z10 Switch Blocker
- Alcohol Wipe
- Users Manual

## Installation

1. Put Safety on safe. Open action and make certain no shells remain in chamber or magazine. Close action and remove Magazine Nut and Barrel.
2. Remove fore-end from Magazine Tube and remove snap ring from front cavity of fore-end (use eye protection to prevent injury) and remove the three Washers.
3. Install these Washers into the front cavity of the H17FG Housing, one Flat Washer then the Wave Washer and then the second Flat Washer.
4. Take the Spacer Tube from the Kit and install it into the rear of the H17FG Housing. Install it with the open groove up and the wide end of the groove to the back, as shown in the illustration.
5. Install Housing onto Magazine Tube part way. Lay the Barrel on the Housing and slide Barrel and Housing toward the receiver until they are seated.
6. Install Magazine Nut and tighten.
7. Adjust Set Screws in H17FG Housing to limit rotation of the Housing.
8. Install Battery into Housing with the + terminal facing out.
9. Install Lamp Module into Housing.
10. Apply finger pressure to the Pressure Switch on the right side of the Housing. The light should come on. Installation is now complete.
11. Test fire the weapon to insure that the boresight has not changed. A shift in pointing may occur after installing the Tactical Light on the weapon.



# Model 617FG Tactical Light

---

## **Switch Blocker Installation**

If you want to disable the part of the pressure switch where you rest your hand, (and don't want the light to come on) you can cover it with the Model Z10 Switch Blocker. First clean the portion of the Pressure Switch to be disabled using the Alcohol Wipe from the Kit. Then remove the paper backing from the underside of the Switch Blocker and press the Switch Blocker in place on the Pressure Switch.

## **Battery Replacement**

1. Unscrew Lamp Module from Housing and shake out old battery.
2. Install new battery with the + terminal facing out.
3. Reinstall Lamp Module.

## **Lamp Replacement**

1. Unscrew Bezel from Lamp Module. Lift Lamp assembly out of Bezel.
2. Install replacement Lamp Assembly in Bezel and reassemble by screwing onto Lamp Housing until it is fully seated.

# Model 617FG Tactical Light

---

## **Caution**

The battery used in the light is very powerful. Be sure that the switch is not touching anything when the light is stored. If the lamp is turned on while in a case or other container, the lamp can overheat and damage the light or surrounding materials. Remove the battery or unscrew the bezel far enough to prevent the lamp from turning on when stored.

If it is necessary to dispose of any batteries, do not do so by fire, mutilation or by disassembly, as this may cause toxic chemicals to be released.

## **Repairs & Replacements**

To obtain repair or replacement call Customer Service at 800-828-8809 (toll free) or 714-545-9444 and obtain a Return Authorization number (RA). Then pack the unit carefully and return (no COD's please) to:

SureFire LLC  
Repairs Department, RA# \_\_\_\_  
18300 Mt. Baldy Circle  
Fountain Valley, CA 92708

Surefire will pay any reasonable shipping costs to return the unit to you.

## **Warranty**

**SureFire LLC warrants that its products will be free from defects in materials and workmanship. SureFire LLC will repair or replace (at its option), without charge, any product or part which is found to be defective under normal use and service. Such repair or replacement shall be the purchaser's sole and exclusive remedy under this warranty. This warranty does not include normal maintenance and services and does not apply to any products or parts which have been subject to modification, misuse, negligence, accident, improper maintenance or repair by anyone other than SureFire.**

### ***"Fine Print" Warranty Limitation***

***There is no other express warranty. SureFire LLC hereby disclaims any and all implied warranties, including, but not limited to fitness for a particular purpose. SureFire LLC shall not be liable for incidental, consequential, or special damages arising out of, or in connection with product use or performance.***

Um\_H17FG\_9.701  
71-01-437