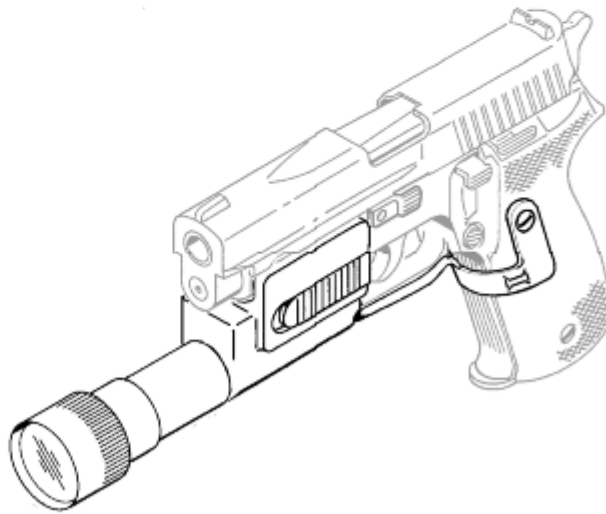




We Put the Power of Light in Your Hand

**Model 340R
640R
Sig Sauer Tactical Light**



**Sig Sauer Pistol
P228 & 229 9mm**

Protected by US. Patents 4,777,754, 4,856,218, 5,654,594 & 5,654,594

Revision N/C 1-1-98

Model 340R & 340R Tactical Light

Introduction

The Model 340R & 640R Tactical Lights provide a rugged and reliable source of high intensity light mounted below the barrel of the weapon. The light can be activated by pressing on the SlimLine® Momentary Switch positioned on the handgrip or by pushing forward on the Switch Actuator Plates on the sides of the Housing.

Kit Contents

- H40R Housing & Take down Latch
- L30 or L60 Lamp Module
- DL123A or DL223AC Battery
- Grip Screws (2)
- Set Screw
- Hex Wrench
- Extra Set Screw
- Users Manual

*Additional set screws are available in a Ten Pack, order P/N 12010-1

Installation

1. Remove the magazine from the weapon and inspect the weapon to be certain it is not loaded.
2. Retract the Slide and latch it back using the Slide Catch Lever.
3. Rotate the Take Down Latch 90 degrees clockwise.
4. Depress the Slide Catch Lever and remove the Slide Assembly from the weapon frame.
5. Remove the Take Down Latch from the frame.
6. With the left hand, position the H40R Housing on the frame so that the attachment pin hole is aligned with the Take Down Latch hole. With the right hand squeeze the SlimLine Switch around the hand grip being careful not to bend the switch wire at the attaching points.
7. Install the Take Down Latch provided in the Kit so that the pin on the end of the lever seats fully into the H40R Housing.
8. Position the Take Down Latch so that the arm faces downward. Install the slide assembly and latch it back.
9. Rotate the Take Down Latch 90 degrees counter clockwise to its normal position and close Slide.
10. Using the Hex Wrench provided in the Kit, tighten the Set Screw in the base of the Housing until it contacts the trigger guard then turn the set screw out 1/8 turn so as not to put tension on the Slide Stop. After firing 500 rounds the Set Screw may loosen, remove it and install the extra Set Screw provided in the Kit.*
11. Move SlimLine Switch enough to expose grip screws. Using the appropriate screwdriver remove the grip screws from the left and right side of the handgrips.
12. Install a screw from the Kit into the left side of the SlimLine Switch part way. (Caution, do not cross thread the screw). Then install a screw into the right side part way.
13. Tighten the screws until snug. DO NOT OVER TIGHTEN.

Model 340R & 340R Tactical Light

Lamp Replacement

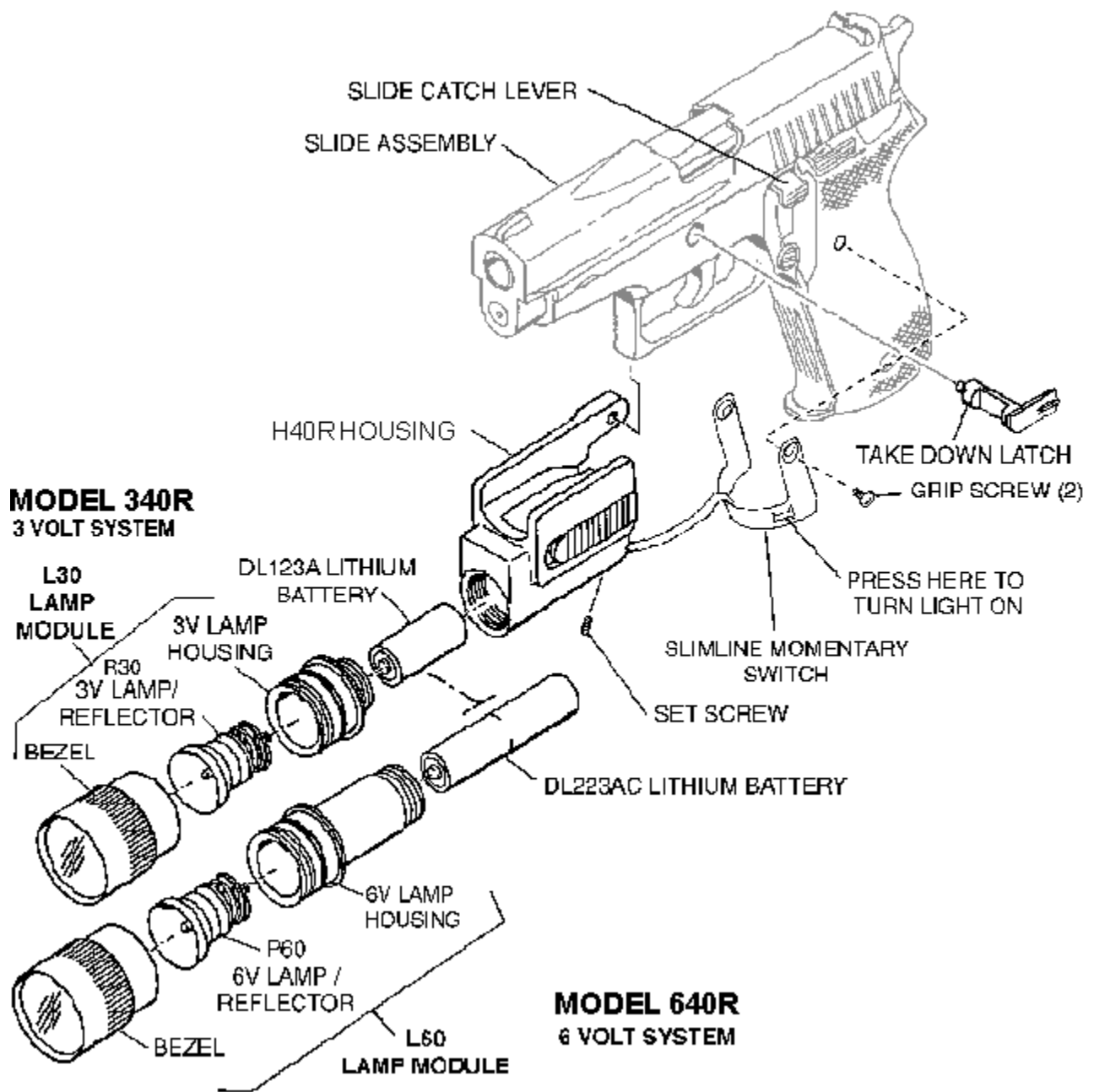
1. Unscrew Bezel from Lamp Module. Lift Lamp assembly out of Bezel.
2. Install replacement Lamp Assembly in Bezel and reassemble by screwing onto Lamp Housing until it is fully seated.

Battery Replacement

1. Unscrew Lamp Module from Housing and shake out old battery.
2. Install new battery with the + terminal facing out.
3. Reinstall Lamp Module

WARNING

Lithium batteries can explode or cause burns if disassembled, shorted, recharged or exposed to fire or high temperatures. Please handle with care.



Model 340R & 640R Tactical Light

Caution

The battery used in the light is very powerful. Be sure that the switch is not touching anything when the light is stored. If the lamp is turned on while in a case or other container, the lamp can overheat and damage the light or surrounding materials. Remove the battery or unscrew the bezel far enough to prevent the lamp from turning on when stored.

Do not use a 3 Volt Lamp Assembly in a 6 Volt system. The lamp will burn out Immediately!!! To identify a lamp assembly: the 3 volt lamp has a Red label and is marked R30, the 6 volt has a Blue or Green label and is marked R60 or P60.

If it is necessary to dispose of any batteries, do not do so by fire, mutilation or by disassembly, as this may cause toxic chemicals to be released.

Repairs & Replacements

To obtain repair or replacement call Customer Service at 800-828-8809 (toll free) or 714-545-9444 and obtain a Return Authorization number (RA). Then pack the unit carefully and return (no COD's please) to:

SureFire LLC

Repairs Department, RA# ____

18300 Mt. Baldy Circle

Fountain Valley, CA 92708

Surefire will pay any reasonable shipping costs to return the unit to you.

Warranty

SureFire LLC warrants that its products will be free from defects in materials and workmanship. SureFire LLC will repair or replace (at its option), without charge, any product or part which is found to be defective under normal use and service. Such repair or replacement shall be the purchaser's sole and exclusive remedy under this warranty. This warranty does not include normal maintenance and services and does not apply to any products or parts which have been subject to modification, misuse, negligence, accident, improper maintenance or repair by anyone other than SureFire.

"Fine Print" Warranty Limitation

There is no other express warranty. SureFire LLC hereby disclaims any and all implied warranties, including, but not limited to fitness for a particular purpose. SureFire LLC shall not be liable for incidental, consequential, or special damages arising out of, or in connection with product use or performance.

um_H40R_8.101

71-01-291

WARNING

Lithium batteries can explode or cause burns if disassembled, shorted, recharged or exposed to fire or high temperatures. Please handle with care.