

# SYCLONE®

---

## *Operating Instructions*

# STREAMLIGHT®

### OPERATING INSTRUCTIONS FOR RECHARGEABLE STREAMLIGHT SYCLONE®

#### **Safety**

- A. Use only **Streamlight battery #13057**. Dispose of worn out or damaged batteries properly. Do not attempt to incinerate the battery as it may explode in a fire and never allow it to short circuit.
- B. A small leakage of liquid from the battery cells may occur under extreme usage or temperature. This does not necessarily indicate a failure. However, if the outer case seal is broken and liquid gets on your skin: Wash the affected area promptly with soap and water. Neutralize with a mild acid, such as lemon juice or vinegar. If battery liquid gets into your eyes flush them with clear water for a minimum of ten (10) minutes and seek immediate medical attention. (Medical note: The liquid is 25%-35% solution of potassium hydroxide.)
- C. It is important to keep the two (2) holes on either side of the flashlight head/body and pivot area/body clean and clear of debris.

#### **OPERATION**

The Syclone is designed for multiple applications, waterproof to 100 feet and quickly becomes a hands-free light with its snap-on helmet attachment or optional elastic head strap. The 360 degrees rotating clip fastens to belt, harness or pocket. Attachment points on the tilting head and clip accept hooks or lanyards. It features two (2) separate bulbs selectable by swinging the switch to the right or left and adjustable focus. The light accepts either the rechargeable nickel-metal hydride battery pack or, if needed, the 4 "AA" alkaline battery clip, P/N 13056.

#### **GENERAL**

The on-off switch is located on the back of the tilting head. The center position is "OFF". Flip the switch to the left for the LED backup light; to the right for the high intensity Krypton beam.

#### **CHARGING**

The charge is designed to hold the Syclone in virtually any position and charge without disassembly. Two (2) self-tapping #8 x 2" screws are included to mount the charger: use 1/8" holes. The charger can use four (4) interchangeable power cords: P/N: 22051 12V DC cord with cigarette lighter plug (DC 1); P/N: 22050 12V DC Direct Wire cord (DC 2); P/N 22311 120V AC cord; P/N: 21725 230V AC cord.

Fully charge your Syclone before the first use. Several charge/discharge cycles may be necessary to achieve full battery capacity. To charge the Syclone, turn it off and insert it into the charger tailcap down until it snaps into place. The LED should light, indicating that the charge current is flowing. A full charge is achieved in ten (10) hours. Normally, the Syclone can be left on charge continuously. However, if the surrounding temperature is below 10 degrees F, continuous charging is not recommended. Remove the Syclone from the charger by depressing the pushbutton on the side of the charger holder. A fully charged Syclone should operate a Krypton lamp for two (2) hours and an LED for over twenty four (24) hours.

#### **VEHICLE INSTALLATION**

**WARNING:** A shorted auto battery can easily start a fire. Use the proper insulated connectors and be sure that your installation is fused with a 1 amp slow blow fuse. If you are not skilled in this type of work have a skilled professional install the Syclone charger.

A Syclone, when charging, draws 100 milliamperes from the vehicle battery. We recommend that the charger be connected directly to the battery or an unswitched terminal on the vehicle fuse block. A permanent installation is made by using the DC 2 direct wire cord. Route the wires from the mounted charger base to the 12 volt power source. The positive lead is striped and should be connected to the side of a fuseholder which is dead when the fuse is removed. The unstriped lead is negative and may be connected to any convenient chassis ground.

### **CARE AND USE OF NICKEL-METAL HYDRIDE BATTERIES**

**NOTE:** Leaving the light running once the lamp becomes dim can reduce the useful life of the rechargeable battery system.

Do not periodically "condition" or "exercise" your flashlight battery, despite what you may have been told about nickel-metal hydride "memory". Streamlight specifically discourages a regular ritual of deep discharging, which is not only unnecessary, but will greatly shorten lamp and battery life. If a nickel-metal hydride battery is subjected to repeated and extensive overdeep discharges, such as an aggressive conditioning procedure to eliminate "memory" which runs the battery down completely on a regular basis, it can experience a voltage reversal of one (1) of the individual cells. This may cause a build up of pressure within the cell, which can lead to venting the electrolyte, cell damage and early battery failure. In addition, should the pressure relief vent on top of the battery become damaged, this pressure increase could cause the cell to burst, causing damage to the Syclone and possible personal injury.

### **BULB REPLACEMENT**

The Syclone utilizes a high pressure Krypton bulb with a life expectancy of 25 hours in a primary center position. An off center back-up reflector features either an amber super-bright LED or a second Krypton bulb. The flashlight must be in the "Off" position to change either bulb. Never touch a hot bulb and wear eye protection.

To access the bulbs unscrew the facecap/lens assembly and remove the reflector and focus spring. Pull the old bulb straight out from the head. Fit the primary (central) bulb socket with a Krypton bulb (P/N 13048). Do not handle bulbs with bare fingers. Align the pins at the base of the new bulb with the holes in the bulb socket. Carefully slide the bulb into the socket until it seats. Do not force. The secondary (off-center) bulb socket fits either a Krypton bulb or an LED (P/N 13043). Both bulbs are keyed to fit only one (1) way or " in this position".

To reassemble place the focus spring around the primary bulb socket and make sure that it is fully seated on the ledge. Grasp the reflector by the edges only and align the holes with the two (2) bulbs. The keys on the outside of the reflector must align with the slots on the interior of the head of the flashlight. Check and make sure that the "O" Ring on the outside of the head of the flashlight is in place and lubricated with silicone grease. Replace the facecap over the head of the flashlight, being careful not to crossthread. Rotate the facecap to adjust the focus pattern.

### **WATERPROOFNESS**

"O" Rings in the facecap and tailcap ensure that Syclone is waterproof to 100 feet. To maintain waterproofness lubricate both "O" Rings with silicone grease and keep tailcap tight.

### **SYCLONE HANDS-FREE MOUNTING SYSTEM**

Every Syclone comes complete with a unique mounting clip that can be permanently attached to helmets, as well as bulkheads, dashboards and other structures for hands-free use or convenient access. You can use either a pair of #8 threaded fasteners or the special VHB adhesive pad included with the mounting clip (P/N 13050 or P/N 13150 or P/N 13650).

**Additionally, an optical elastic head strap assembly (P/N 13070) is available as an accessory to convert the Syclone to a headlight.**

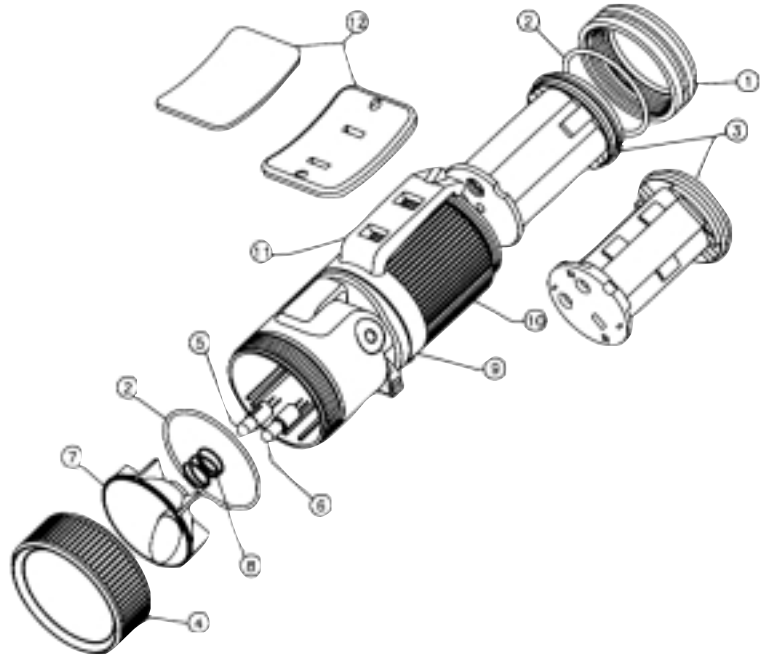
### **ATTACHING THE MOUNTING CLIP WITH THE ADHESIVE PAD**

The enclosed adhesive pad uses a super durable, very high bond acrylic glue. If you follow these directions carefully the mounting clip will not come off. It is important to get the best fit between the mounting clip and helmet to maximize the adhesive area.

1. Determine location for the mounting clip and the desired orientation of the flashlight on the helmet.
2. Wearing gloves, carefully heat the mounting clip by using a heat gun or placing it in boiling water for thirty (30) seconds until it is pliable.
3. Press the mounting clip against the mounting location on the helmet and hold until it conforms to the shape of the surface and cools.
4. Lightly wipe the mounting surfaces with alcohol. After the surfaces have dried, remove the backing from one (1) side of the adhesive and affix the adhesive pad to the mounting clip.
5. Remove the remaining protective backing, align the mounting clip with the surface and press firmly into place with the hooks facing up. Allow the mounting to cure for 24 hours before using.

## Replacement Parts

Item	Quantity	Part No.	Description
1	1	130006-1	Tail Cap, Orange
		130006-2	Tail Cap, Yellow
		130006-6	Tail Cap, Green
2	2	130015	O-Ring; Battery Pack, Head
3	1	13057	Rechargeable Battery Pack Assy.
		13056	Battery Clip Assy., Alkaline (Batteries not included)
4	1	13053	Face Cap/Lens w/Sleeve
5	1	13048	Bulb, Main Krypton
6	1	13048	Bulb, Backup Krypton
		13043	LED, Backup
7	1	130004	Reflector
8	1	130028	Spring, Focus
9	1	130071	Body Assy., Replacement Yellow
		130071-1	Body Assy., Replacement Orange
		130071-6	Body Assy., Replacement Green
10	1	130099	Sleeve, Body
11	1	130005-1	Belt Clip, Orange
		130005-2	Belt Clip, Yellow
		130005-6	Belt Clip, Green
12	1	13050	Mounting Clip w/ Adh. Pad Yell.
		13150	Mounting Clip w/ Adh. Pad Org.
		13650	Mounting Clip w/ Adh. Pad Grn.
Not Shown		22311	120V AC Charge Cord
		21725	230V AC Charge Cord
		22050	12V DC Direct Wire Charge Cord
		22051	12V DC Charge Cord w/ Lighter Adapter
		13100	Charger/ Holder





**MANUFACTURER**  
**Streamlight, Inc.**

30 Eagleville Road / Eagleville, PA USA 19403-3996  
(610) 631-0600 / (800) 523-7488 / Fax (610) 631-0712 / Fax (800) 220-7007 / [www.streamlight.com](http://www.streamlight.com)

**IMPORTANT** – Be sure to use genuine **Streamlight** replacement parts.

**WARRANTY REGISTRATION:** To register the warranty on your Streamlight, complete the card enclosed and mail to Streamlight, Inc., within ten (10) days of purchase. When returning product for warranty repairs, please provide receipt or other proof of purchase.

**PRODUCT USE:** The Streamlights are intended for use as high intensity, heavy duty, rechargeable, portable light sources. Use of the Streamlights for any purpose other than light sources is specifically discouraged by the manufacturer.



The rechargeable battery contained in this product is recyclable. At the end of its useful life, under various country and state laws, it may be illegal to dispose of this battery in the municipal solid waste stream. Check with your local solid waste officials for details in your area for recycling options or proper disposal.

**WARRANTY STREAMLIGHT SYCLONE®**

Streamlight makes no express warranties other than those expressly provided herein. Streamlight does not make, and hereby expressly disclaims, any implied warranties, including warranties of merchantability or fitness for a particular purpose, except to the extent that implied warranties may not be disclaimed under applicable law. To the extent any such implied warranties may not be disclaimed under applicable law, the duration of such implied warranties shall be limited to the minimum period required by applicable law. Streamlight's responsibility under all warranties, both expressed and implied, shall be limited to the repair, replacement or refund of the purchase price of any products covered by such warranty. Streamlight shall, in no event, be liable for any other damages, including consequential or incidental damages. Some jurisdictions may not allow the waiver of or limitations on the scope or duration of implied or expressed warranties or on the exclusion of consequential or incidental damages, in which case the above waivers, limitations or exclusion may not apply to you.

**Money Back Guarantee**

Your Streamlight is unconditionally guaranteed to perform to your satisfaction or your money will be refunded, provided you return your Streamlight to the seller (shipping charges prepaid) within ten (10) days of purchase, along with receipt or any proof of purchase for full refund.

**Warranty Registration Card**

Complete and return Warranty Registration Card within ten (10) days of purchase to register your warranty. Retain your receipt or any proof of purchase. Failure to return the Warranty Card as required will invalidate the warranty and service coverages described herein.

**Warranty**

Your Streamlight, including case and all internal components, but excluding lamp, battery, and charger holder, has a Limited Lifetime Warranty from date of purchase. In any country or jurisdiction where specific limitations are placed on limited lifetime warranties, Streamlight will honor a 10-Year Limited Warranty. Should your Streamlight fail to operate, return it (shipping charges prepaid) to the factory or Authorized Service Center at the address listed with these instructions, along with your proof of purchase and, if you have owned your Streamlight for more than (1) year, \$5.00 for handling. Streamlight will repair or replace the warranted defective parts without cost and return the unit to you (shipping charges prepaid within the Continental USA) or, at Streamlight's option, if permitted by law, Streamlight will refund your purchase price.

**Limitations on Warranty and Service Coverage**

1. Warranty is invalid if, in Streamlight's sole opinion, there has been tampering, alteration, abuse, misuse, or failure to follow proper care and maintenance procedures.
2. This warranty shall not extend to repairs by anyone other than Streamlight or other than service facilities designated by Streamlight.
3. This warranty is limited to the original user-purchaser as such appears on the Warranty Registration Card.

**Battery Stick and Charger Holder Warranty**

The Battery Stick and Charger Holder are warranted for a period of one (1) year in accordance with the above terms.

Date of Purchase \_\_\_\_\_

This warranty gives you specific legal rights and you may also have other rights.