

INSTRUCTION MANUAL FOR

BLUED &
STAINLESS
STEEL

12, 20 & 28
GAUGE



RUGER® OVER & UNDER SHOTGUNS



Red Label Model



Woodside Model



**READ THE INSTRUCTIONS AND
WARNINGS IN THIS MANUAL CAREFULLY
BEFORE USING THIS FIREARM**

**For Product Service on This Model Please Call:
(603) 865-2442 (See p. 21)**

**STURM, RUGER & Company, Inc.
Southport, Connecticut 06490 U.S.A.**

THIS INSTRUCTION MANUAL SHOULD ALWAYS ACCOMPANY THIS FIREARM AND BE
TRANSFERRED WITH IT UPON CHANGE OF OWNERSHIP, OR WHEN THE FIREARM IS LOANED OR
PRESENTED TO ANOTHER PERSON.

OU1 & OU3/5-00
R3

FIREARMS SAFETY-YOUR RESPONSIBILITY **SAFETY MUST BE THE FIRST AND CONSTANT** **CONSIDERATION OF EVERY PERSON WHO** **HANDLES FIREARMS AND AMMUNITION.**

This Instruction Manual is designed to assist you in learning how to use and care for your **RUGER® OVER AND UNDER SHOTGUN** properly. Please contact us if you have any questions about it.

Only when you are certain you fully understand the Manual and can properly carry out its instructions should you practice loading, etc. with live ammunition. If you have any doubts about your ability to handle or use a particular type of gun safely, then you should seek supervised instruction. Such personalized instruction is often available from gun dealers, gun clubs or police departments. If none of these sources can help you, write to the National Rifle Association, 11250 Waples Mill Rd., Fairfax, VA 22030-7400. They will assist you.

The person possessing a gun has a full-time job. You cannot guess; you cannot forget. You must know how to use your firearm safely. **Do not use any firearm without having a complete understanding of its particular characteristics and safe use.** Remember: There is no such thing as a foolproof gun.

TABLE OF CONTENTS

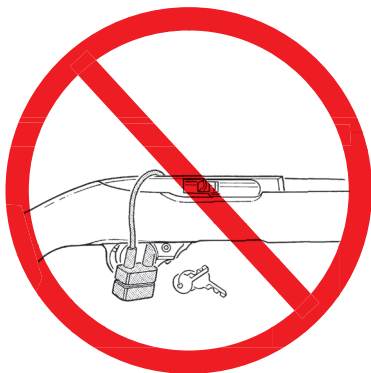
	Page
Mechanical Characteristics	5
Nomenclature	7
Operation of Safety	8
Safety/Barrel Selector Positions	9
Ammunition	10
Steel Shot	11
Assembling the Shotgun	12
Installation of Screw-In Choke Inserts	14
Operation of the Shotgun	15
To Load and Fire	16
To Unload	17
Disassembly Procedure	19
Care and Cleaning	20
Maintenance of Stainless Steel Components	21
Service and Parts Policy	21
Parts Drawing	32
The Basic Rules of Safe Firearms Handling	33
Warranty Information	40

“RUGER®” and the Ruger Logo are registered U.S. trademarks.

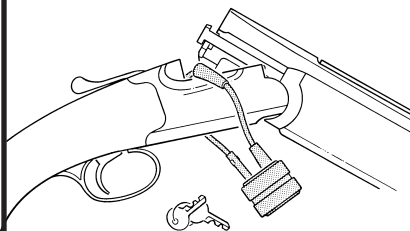
NOTE: The following warning applies to
RUGER® OVER & UNDER SHOTGUNS *only*:



WARNING – LOCKING DEVICES



**DO NOT INSTALL
INSIDE TRIGGER GUARD**



**INSTALL LOCK
AS SHOWN HERE**

This firearm was originally sold with a key-operated locking device. While it can help provide secure storage for your **unloaded** firearm, any locking device can fail. All guns are designed to fire if they are loaded and the trigger is pulled. Therefore, **never install the locking device inside the trigger guard or in any way that it can possibly pull the trigger!** Do not leave the keys in the lock.

The ultimate responsibility for secure storage of any firearm must depend upon its owner and his or her individual circumstances. Guns should be securely stored unloaded, in a secure location, separate from their ammunition.

See “Storage Warning”, page 21.

**NEVER INSTALL
LOCKING DEVICE
INSIDE TRIGGER GUARD**



WARNINGS OF GREAT IMPORTANCE ARE FOUND ON THE FOLLOWING PAGES:

Locking Devices	4	Unloading	17
Alterations	5	Handling	18
Safety Selector	10	Disassembly	19
Ammunition	11	Lubrication	20
Lead Exposure	12	Storage	21
Screw-In Chokes	15	Parts Purchasers	23
Firing	17		

OTHER CAUTIONS AND WARNINGS APPEAR THROUGHOUT THE MANUAL.

**FIREARMS ARE DANGEROUS WEAPONS—
READ THE INSTRUCTIONS AND WARNINGS
IN THIS MANUAL THOROUGHLY AND
CAREFULLY BEFORE USING.**



WARNING—ALTERATIONS



This product was designed to function properly in its original condition. Alterations can make it unsafe. Do not alter any part or add or substitute parts or accessories not made by Sturm, Ruger & Co. Inc.

DO NOT ALTER ANY GUN

GENERAL INFORMATION AND MECHANICAL CHARACTERISTICS

The **RUGER® RED LABEL OVER & UNDER SHOTGUN** is a two-shot, double barreled shotgun that comes in a variety of gauges, stock configurations and barrel lengths. All current models come with “screw-in” choke tubes of various degrees of choke.

The **SPORTING CLAYS** model has 30” barrels, no barrel spacer and a two-bead sighting system.

The **WOODSIDE** model comes in a variety of barrel lengths and features graceful wooden side panels precision inlet into specially designed cutouts in the side of the receiver.

The **ALL-WEATHER** model comes in three barrel lengths. It features a stainless-steel mechanism, action, and barrels. The stock and forend are a synthetic polymer.

THE SAFETY MECHANISMS

The trigger mechanism includes a *hammer interrupter* which directly blocks the hammers if either or both are cocked and the safety is engaged. With the safety off, the hammer interrupter can be lifted clear of the hammers only by a

deliberate pull of the trigger. A complete release of the trigger is necessary to set the gun for firing the second shot. The automatic safety mounted on top of the receiver also serves as the barrel selector that determines which of the two barrels is to be fired first. The conical pointed firing pins are strongly proportioned and will not be damaged by dry-firing.

The *sliding safety thumbpiece*, in addition to its fore and aft motion, pivots to swing from side to side and thus incorporates the function of *barrel selector* in association with the single trigger mechanism. In its rear, or “safe” position, the safety mechanism locks the *hammer interrupter* – a unique characteristic of this gun. In this position, it is impossible for the hammers to reach the firing pins. The hammer interrupter, in turn, locks the trigger against being pulled. The sequence of firing is set with the safety in its rearmost “safe” position. If the thumbpiece is swung to its left side position and pushed forward, the selector allows the top barrel to be fired first. If the thumbpiece is swung to the right side and pushed forward, the selector allows the bottom barrel to be fired first.

Under recoil, an inertia weight swings to the rear and pulls the sear selector out of engagement with the sears. The sear selector is inoperative until the inertia weight returns to its forward position, so the gun is thus made safe from “doubling” (firing both barrels with a single pull of the trigger). This mechanism has the desirable feature of permitting the second barrel to be discharged even if the first pull of the trigger results in a misfire. The second shot can be fired whether the gun has recoiled or not.

The *hammers* are of the rebounding type. After firing, they move back from the firing pins enough to clear them and are held in this position by the mainspring. The rebound position of the hammers means that their cocking motion is not started until after the barrels are partially opened, and this contributes materially to the easy opening of the gun. The hammers cannot fall completely forward to reach the firing pins unless the locking bolt, which lies directly ahead of them, is in its forward position when the barrels are locked shut in the frame.

THE BARREL ASSEMBLY

The *barrels* are silver brazed to the monobloc at the chamber portion of the barrel. The ventilated rib is securely silver brazed to the top barrel and machine-cut cross serrations in the top surface of the rib provide a matte, glare-free sighting plane. The front sight is a standard gold bead. Patented barrel side fillers can be removed if desired. (Sporting clays models do not have these fillers and also feature a two gold bead sighting system).

The *trunnions* (on which the barrels pivot) are mounted high, close to the centerline of the lower barrel, and are integral with the receiver. This is the only gun in the world of which this is true.

In addition to trunnions, a massive *square lug* at the bottom rear of the monobloc locks into the thick bottom wall of the receiver to provide extra security for the barrel-to-frame lock-up.

Projecting from the rear end of the barrel assembly, one on either side, are two heavy, integral heat-treated *lugs* which are engaged by the locking bolt as it slides forward when the gun is closed. The locking bolt is, in effect, a wedge, due to the angle of the locking faces. These faces have more than adequate area and are hardened and precision-ground.

NOMENCLATURE

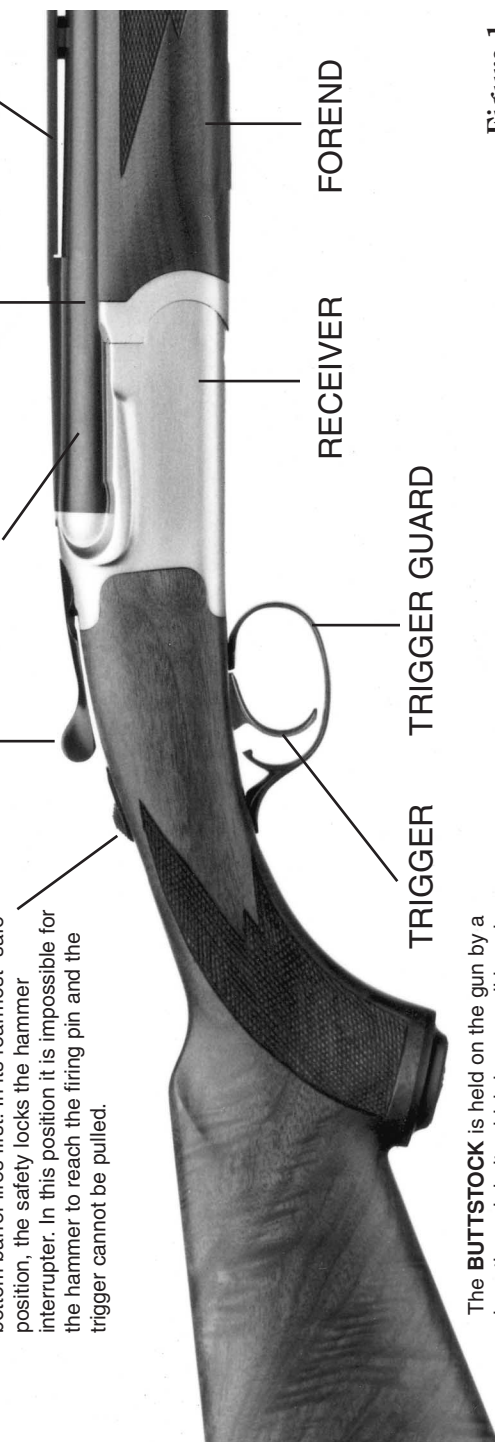
The **SAFETY**, in addition to its fore and aft motion, pivots to swing from side to side when on "safe" (S) and incorporates the function of barrel selector. If the selector is swung to its left side position the top barrel fires first. If the selector is to the right, the bottom barrel fires first. In its rearmost "safe" position, the safety locks the hammer interrupter. In this position it is impossible for the hammer to reach the firing pin and the trigger cannot be pulled.

The **TOP LEVER** and its massive pivot are one integral component directly engaged with the locking bolt on both opening and closing motions.

MONOBLOC

TOP BARREL

VENT RIB



FOREND

RECEIVER

TRIGGER GUARD

TRIGGER

The **BUTTSTOCK** is held on the gun by a long through-bolt, which is accessible only after the recoil pad on the end of the buttstock is removed.

Figure 1.

The *automatic ejectors* assemble to the monobloc simply, without retaining pins or screws. The *ejector sears* are pivoted on integral studs in the forend iron.

THE WOOD

The stock and forearm are made from first quality straight grain American walnut, fully seasoned, with deep-cut checkering of 20 lines to the inch. A pistol grip and rubber recoil pad are standard on the 12 and 20 ga. models (the 28 ga. has a plastic butt plate). All wood surfaces are sealed with a satin weather resistant finish. Woodside models feature select Circassian walnut stocks.

Provision is made in the stock for the *through-bolt* system of attachment which is strong and simple. The rear ends of the tangs interlock with the wood and the forward end of the stock is tenoned into recesses in the receiver to provide maximum strength and resistance to splitting or loosening.

SPECIAL FEATURES

The **RUGER® 12, 20, & 28 GAUGE RED LABEL** over and under shotguns are offered with stainless steel receivers correctly proportioned for each gauge. The trigger and forend iron are made of stainless steel with an attractive brushed finish. The trigger guard, top lever, and safety thumbpiece, as well as barrels, are of heat-treated chrome-molybdenum steel, polished overall and blued.

The top lever and its massive pivot are one integral component directly engaged with the locking bolt both on opening and closing motions. The lever and the locking bolt are driven to the closed position by the top lever spring which, through its strut, retains the top lever in the gun. The Ruger shotgun has been engineered to minimize the force required for cocking through a patented “easy opening” system.

OPERATION OF SAFETY

The **RUGER® OVER AND UNDER SHOTGUN** has a safety selector combined with a barrel selector for convenient use. The safety selector is located at the top rear of the receiver.

The safety selector can be moved from the “Fire” position to its “Safe” position whether or not the mechanism is cocked. Fully opening the shotgun cocks the mechanism. The action can be opened with the safety “on.”

Whenever the action is opened, the safety automatically moves rearward to its “on,” or “Safe” position (the letter ‘S’ visible forward of the safety thumbpiece on the top surface of the receiver). If the safety thumbpiece is moved forward to cover the letter ‘S’, the safety is in its “off” or “Fire” position and remains in that position until moved back to the “Safe” position manually, or until the action is opened again. **Keep the safety “on” unless actually firing!**

NON-AUTOMATIC SAFETY AVAILABLE – The automatic safety in the Ruger shotgun is generally desired for field guns. However, the automatic safety can be replaced by a non-automatic safety upon request if the shotgun is returned to our factory as outlined in the “Service and Parts Policy” section of this manual, page 21.

BARREL SELECTION

The letters ‘T’ and ‘B’ appear to the right and left of the safety thumbpiece, and indicate which barrel is to fire first. **NOTE:** The safety must be “on” (letter ‘S’ visible, safety moved to rearmost position) before the barrel selector feature can be used. You cannot change the barrel firing sequence while the safety is “off.” If the thumbpiece is then moved to the right so that the letter ‘B’ appears, the bottom barrel will fire first when the safety is pushed forward and the trigger is pulled. If the thumbpiece is moved to the left when the safety is on so that the letter ‘T’ appears, the top barrel will fire first when the safety is pushed forward and the trigger is pulled.

Practice (with an unloaded shotgun) moving the safety/barrel selector to the three positions until you know the position of the safety selector for the three modes – Safe (S), Fire top barrel first (T), and Fire bottom barrel first (B).

WARNING: When manipulating the safety selector, **DO NOT HAVE ANY FINGER INSIDE THE TRIGGER GUARD!** Whenever the safety selector is in the “Fire” position and the trigger is pulled, the shotgun will fire.

The safety selector should always be in the “Safe” (S) position except when the gun user is actually firing or unloading the shotgun. The safety selector should unfaillingly by moved to the “Safe” (S) position when the gun user ceases firing, even for a moment.

SAFETY/BARREL SELECTOR POSITIONS

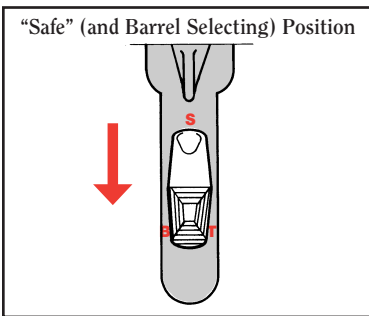
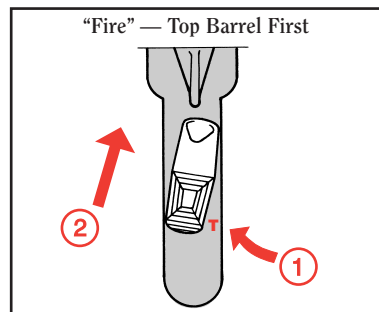


Figure 2. Safety selector in “Safe” (S) full rearward position. The safety selector must be in this position to select position ‘T’ or ‘B’ described below. In this position, the trigger cannot be pulled to fire the gun. Either ‘T’ or ‘B’ may be partially visible, but the shotgun is only on “Safe” when the ‘S’ is fully exposed. **If the ‘S’ is not visible, the shotgun is ready to fire!**

Figure 3. Safety selector is forward “Fire Top Barrel (T) First” position. Pulling the trigger will cause the top barrel to fire – a second pull of the trigger fires the bottom barrel. The safety selector should be moved to this position only when the gun user is actually firing. When the safety is in either fire position, it is referred to as being “off.” (When the safety is in the “Safe” (S) position, it is referred to as being “on”).



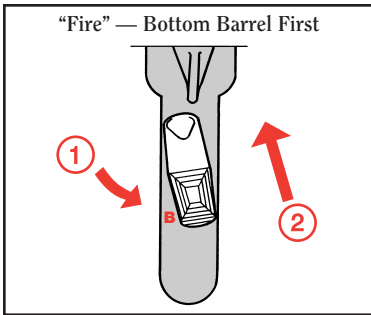

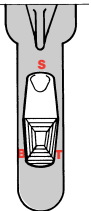
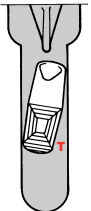
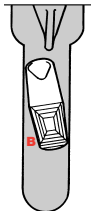


Figure 4. Safety selector in forward “Fire Bottom Barrel (B) First” position. Pulling the trigger will fire the bottom barrel – a second pull will then fire the top barrel. The safety selector should be in this position only when the gun is being fired. The safety selector should be moved to the “Safe” (S) position and kept there unless the gun is to be fired immediately.

 <h2 style="margin: 0;">WARNING – SAFETY SELECTOR</h2>		
 <p>“SAFE”</p>	 <p>“FIRE” TOP BBL. FIRST</p>	 <p>“FIRE” BOTTOM BBL. FIRST</p>
<p>Keep the safety on unless actually firing. Always move the safety fully to its intended position and <u>check</u> it. The safety has three positions – “SAFE” (S), “FIRE (T) TOP Barrel - FIRST” and “FIRE (B) BOTTOM Barrel - FIRST”. Never depend on a safety mechanism or any other mechanical device to justify careless handling or permitting the shotgun to point in an unsafe direction. The only “safe” gun is one in which the action is open and the chambers are empty.</p>		
<h3>KNOW HOW TO USE THE SAFETY</h3>		

This safety selector is held in each of its three positions by a plunger that is under spring tension. Therefore, the gun user should frequently check the position of the safety selector to be certain it has not been inadvertently moved. If the safety selector seems to move too easily, or if the safety selector does not seem firmly positioned in any of its three positions, the shotgun should be discontinued from use and returned to our Newport, New Hampshire Service Department for repair.

AMMUNITION




The Ruger 12 and 20 gauge Over and Under Shotguns of current manufacture have 3” chambers and may be used with all standard commercially manufactured 2 3/4” and 3” shot shells. The 28 gauge shotguns have 2 3/4” chambers and should be used with all standard commercially manufactured 2 3/4” shot shells. This gun has been tested with special proof test ammunition which conforms to U.S. industry practice. It is intended for use only with standard ammunition of the proper gauge and loading. Use of incorrect ammunition can destroy any gun and result in serious injury to the shooter or bystanders. (See “Ammunition Warning,” p. 11)

STEEL SHOT

All steel shot loads loaded to current U.S. industry specifications can be used in currently manufactured Ruger shotguns equipped with screw-in chokes. Some older Ruger “Red Label” shotguns were manufactured with conventional fixed chokes. In conventionally choked full choke barrels without screw-in choke tubes, the use of large size (F, T, BB and larger) steel shot can result in a very slight ring near the muzzle. It must be emphasized that this ring should have no adverse effect on pattern or shot velocity. As we have no control over the manufacture of ammunition which may be introduced in the future, we cannot be responsible for damage caused by steel shot loads.

Since steel shot generally patterns tighter than conventional lead shot loads, it would be wise to avoid the use of steel shot altogether in conventionally choked “full choke” barrels. Modified choke barrels generally deliver “full choke” patterns when used with steel shot.

We do not recommend *any* of our shotguns for use with *reloads*, steel shot or otherwise.

		WARNING – AMMUNITION
	Death, serious injury, and damage can result from the use of wrong ammunition, bore obstructions, powder overloads, or incorrect cartridge components. <u>Always</u> wear shooting glasses and hearing protectors.	
		IMPROPER AMMUNITION DESTROYS GUNS

AMMUNITION (CARTRIDGES) NOTICE

WE SPECIFICALLY DISCLAIM RESPONSIBILITY FOR ANY DAMAGE OR INJURY WHATSOEVER OCCURRING IN CONNECTION WITH, OR AS A RESULT OF, THE USE IN ANY RUGER FIREARMS OF FAULTY, OR NON-STANDARD, OR “REMANUFACTURED” OR HAND-LOADED (RELOADED) AMMUNITION, OR OF CARTRIDGES OTHER THAN THOSE FOR WHICH THE FIREARM WAS ORIGINALLY CHAMBERED.



WARNING – LEAD EXPOSURE



Discharging firearms in poorly ventilated areas, cleaning firearms, or handling ammunition may result in exposure to lead and other substances known to the state of California to cause birth defects, reproductive harm, and other serious physical injury. Have adequate ventilation at all times. Wash hands thoroughly after exposure.

**SHOOTING OR CLEANING GUNS
MAY EXPOSE YOU TO LEAD**

ASSEMBLING THE SHOTGUN

The Ruger Over and Under Shotgun is shipped partially disassembled. To assemble, proceed as follows:

1. After unwrapping the barrel/forearm assembly and receiver/stock assembly, wipe excess rust preventative oil from the monobloc and inside surfaces of the receiver. Swab the bores with a clean cloth patch on a cleaning rod to remove any excess oil.
2. To Correctly Remove Forearm (See Figure 5):
 - a. Unlatch forearm by pulling down on latch lever.
 - b. Carefully pull down on tip of forearm until slight resistance is felt - **APPLICATION OF EXCESSIVE FORCE AT THIS POINT CAN RESULT IN BREAKAGE.**
 - c. While holding forearm tip away from barrels, carefully pull forearm toward the muzzle and remove forearm from barrels.

Do not attempt to attach barrel assembly to receiver with the forearm attached!

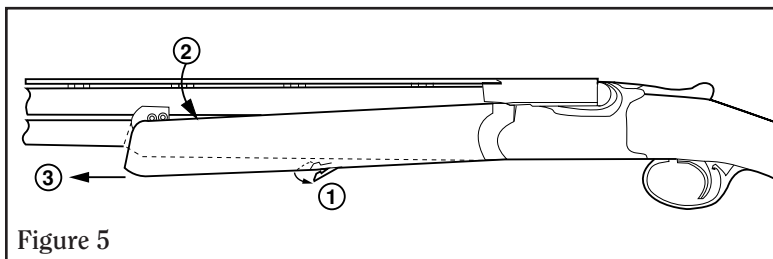
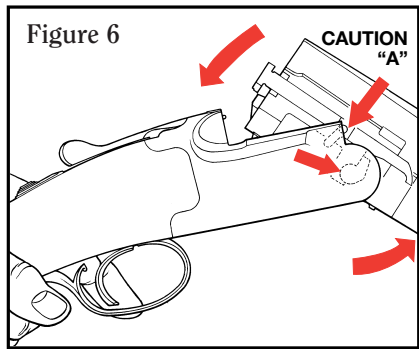
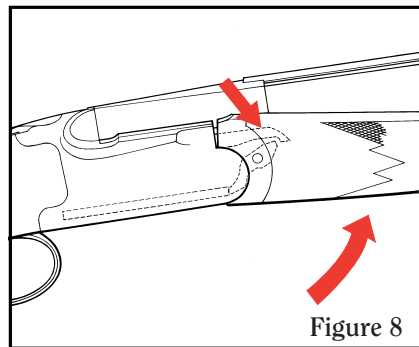
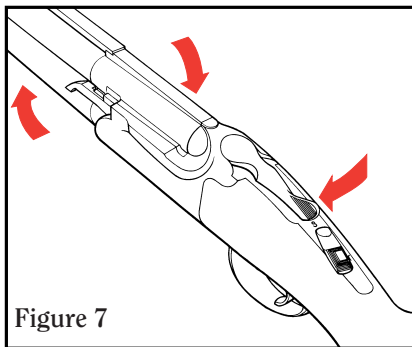


Figure 5

3. To attach the barrel assembly to the receiver, hold the stock by the pistol grip in one hand as shown in Figure 6. Make sure the top lever is opened to the right in order to accept the barrel assembly. Hold the barrel assembly in the other hand and engage the integral trunnions in the receiver with the corresponding recesses at the front end of the monobloc. Be sure the small lugs (indicated by the arrow in "A" in Figure 6.) on the outer surfaces of the ejectors engage their corresponding slots inside the front end of the receiver **BEFORE CLOSING THE GUN!** *The foregoing caution must be followed otherwise the receiver will be damaged by the ejectors as the gun is closed.*



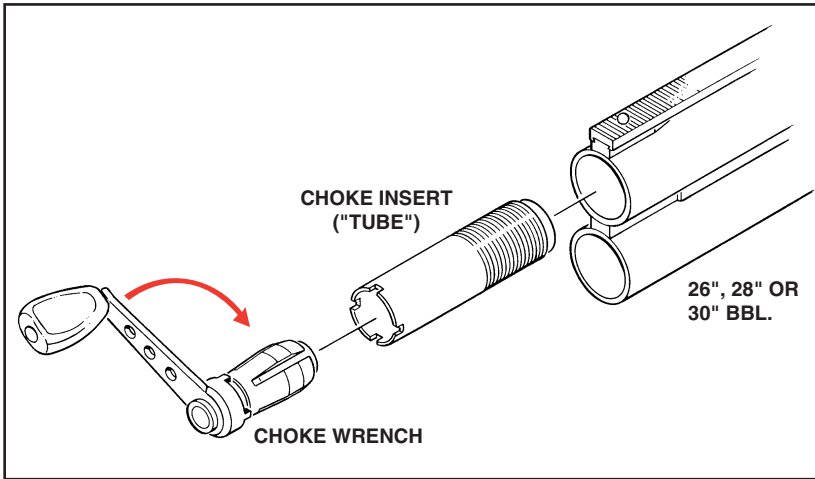
4. Swing the muzzle end of the barrels upward, pivoting the rear end of the monobloc downward to seat in the receiver as shown in Figure 7. The barrel assembly is seated and locked into the receiver when the top lever snaps to its centered position.



5. Place the rear end of the forend iron over the ends of the ejectors as shown in Figure 8, and swing the front end of the forearm upward until the forend latch lever catches the forend latch hook on the underside of the lower barrel, and the forend assembly snaps into its locked position.

INSTALLATION OF SCREW-IN CHOKES

Make sure the shotgun is unloaded! Either open the action or dismount the barrels completely from the action assembly. Lightly coat the threads of both the barrel and the desired choke insert with good quality gun oil. Carefully start the choke insert into the barrel threads by hand, taking care that the choke insert is not cross-threaded. Using the choke wrench (supplied), carefully hand tighten the choke insert into the barrel until it is tightly secured in the barrel, and so that the choke insert is fully bottomed into its recess in the barrel. Take note which choke you are inserting into each barrel. The choke inserts are stamped either “FULL”, “MODIFIED”, “IMPROVED CYLINDER”, or “SKEET”. Remove the choke wrench from the barrel after tightening.



NOTE: **Stainless Steel** choke inserts may protrude slightly from muzzle when fully seated. This is normal and helps protect the muzzle of the barrel from damage.



To minimize the possibility of damage to the screw-in choke inserts and the barrel threads, it is recommended that a set of choke inserts be kept correctly tightened into the barrel at all times, including storage and cleaning. Cleaning the barrels without the choke inserts in place can push dirt and other fouling into the barrel threads, which will interfere with proper installation of the choke inserts.

Rifled Slugs — Do not fire slugs unless a choke insert is installed (see “Screw-In choke Warnings”, p. 15).

Steel Shot — Steel shot loads manufactured to U.S. Industry Standards can be used with Ruger Screw-in choke inserts with no special precautions other than those listed above.

Be sure you only use the correct choke inserts (tubes). The screw-in choke inserts for the newer “easy open” shotguns are stainless steel and stamped on the side either “FULL”, “MODIFIED”, “IMPROVED CYLINDER”, or “SKEET”. They are not interchangeable with the shorter, blued steel choke tubes of older Ruger shotguns which have the identification slots. A general rule of thumb is that if the choke tubes screw in significantly below flush with the muzzle, or if the chokes stick more than slightly out of the muzzle when completely tightened, you are using the wrong choke tubes!

Never fire the shotgun without the screw-in choke inserts in place. Doing so will cause an erratic shot pattern and may irreversibly damage the choke insert threads in the barrel, making correct installation of the screw-in choke inserts impossible without expensive re-barreling. Do not attempt to use screw-in choke tubes of any other make or manufacture in Ruger shotguns. They will not function properly.

 WARNING – SCREW-IN CHOKES	
	<p>Do not peer directly into the shotgun muzzles! This is dangerous and unnecessary. Do not change choke inserts in a loaded shotgun, regardless of the position of the safety. Never fire the shotgun if the screw-in choke inserts are not fully and tightly bottomed into the barrel threads, or if the inserts are improperly installed or “cross-threaded”, or if the threads of either the barrel or the choke insert are damaged. Under these conditions, the barrel will be damaged and the screw-in choke inserts can be propelled out of the muzzle with great velocity when the gun is fired, with resultant risks of property damage or injury to the shooter or bystanders. Do not attempt to alter or modify existing fixed choke Ruger shotgun barrels for screw-in choke inserts. This can seriously weaken the barrel and may be dangerous. See “Alteration Warning” elsewhere in instruction manual.</p>
	DO NOT PEER INTO MUZZLES OR CHANGE TUBES ON A LOADED SHOTGUN

OPERATION OF THE SHOTGUN

Always check to be sure the gun is unloaded before handling, “dry-firing”, take-down, cleaning or storage.

Every Ruger Over and Under Shotgun is inspected before shipment to ensure that it conforms to our standards of finish and performance. WE ASSUME NO RESPONSIBILITY FOR ANY INJURY OR DAMAGES RESULTING FROM ITS INTENTIONAL OR ACCIDENTAL DISCHARGE. No mechanism can prevent injury caused by careless or thoughtless handling of a loaded firearm.

TO LOAD AND FIRE

Practice the important aspects of gun handling described below (with an unloaded gun) until you can perform each of the steps with skill and confidence. But before loading the shotgun, please read completely through this manual, and be certain the muzzle is pointing in a safe direction. **Do not load the shotgun until you are ready to use it!**

1. With the gun assembled, move the top lever completely to the right and open the action completely. The ejectors will snap rearward with a “click” to their extended position. **Make sure that the safety is moved rearward to the safe (S) position.**
2. Look through the barrels from the rear to be sure that both barrels are completely free from any obstruction (See Rule 4, p. 34).
3. With the gun opened, insert a shot shell of the proper gauge in each chamber.
4. Close the action and check to be sure it is securely locked and that the top lever has moved fully to its centered position. **Keep the gun pointed in a safe direction and the safety on ‘S’.** You may now select which barrel you prefer to fire first by moving the barrel selector either to the right (bottom) or the left (top). Most shooters fire the more open-choked barrel first, followed by a tighter choke, if a second shot is necessary at a target that is moving away from the shooter.
5. Only when you are ready to fire immediately, move the top safety thumbpiece forward to its “off”, or “fire” position. The gun is now ready to fire.





WARNING: DO NOT TOUCH THE TRIGGER UNTIL YOU ARE READY TO FIRE.

6. Pulling the trigger will fire the barrel you have selected to fire first — ‘T’ (top) or ‘B’ (bottom).
7. After firing the first barrel, the trigger must be allowed to return to its fully forward position to permit firing the second barrel. Pull the trigger again to fire the second barrel. It will fire regardless of a failure to fire in the first barrel or if you have failed to load a cartridge into the chamber of the first barrel, since the Ruger shotgun trigger mechanism does not depend upon the recoil of the first shot to “set” the second barrel for firing (as on some competing shotguns).
8. If a second shot is not to be fired immediately, return the safety to its rearmost “S” position. The shotgun may be opened by pushing the top lever fully to the right and swinging the barrels downward. Any remaining live shells can be manually extracted, and fired shell cases will be automatically ejected when the barrels are fully opened. This is the preferred safe carrying position for break-open shotguns. Always be certain that the shotgun is pointed in a safe direction!

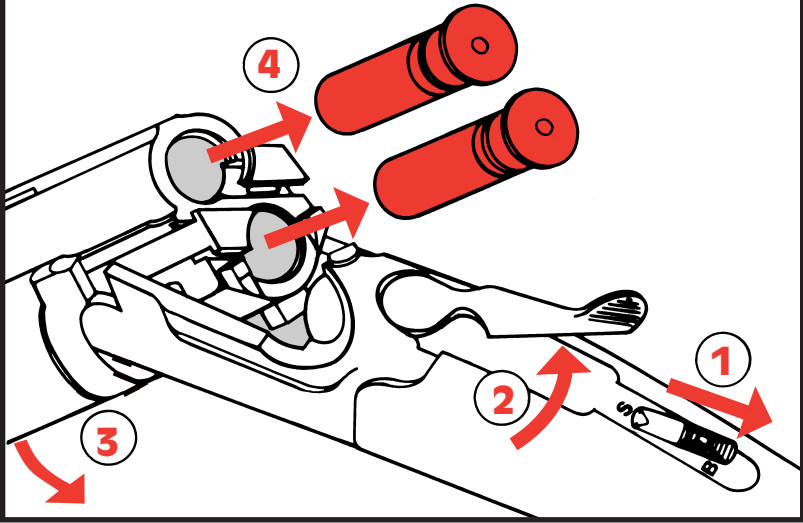
 <h2 style="margin: 0;">WARNING – FIRING</h2>	
	<p>All persons must be a safe distance to the rear of the shooter when a shotgun is being fired. Particles of shot, lead, powder, lubricant, accumulated bore deposits and particles of clay targets can be blown in a wide area – particularly if the wind is blowing – into the eyes and face of the shooter and those nearby. For that reason shooters and bystanders must wear shooting glasses or similar eye protection. Hearing protection must also be worn because exposure to shooting noise can damage hearing.</p>
<h3 style="margin: 0;">ALWAYS WEAR EYE AND HEARING PROTECTION</h3>	

TO UNLOAD

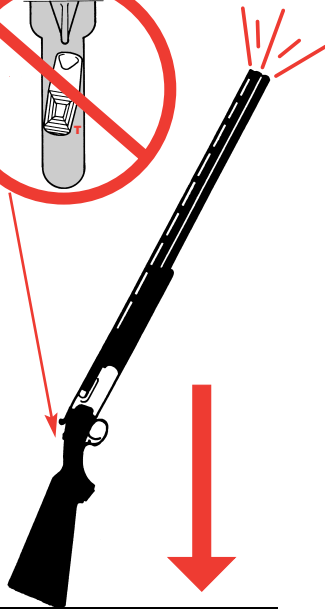
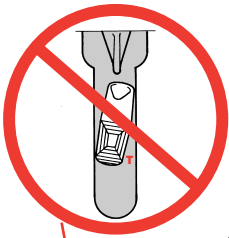
 <h2 style="margin: 0;">WARNING – UNLOADING</h2>	
	<p>The selective ejector mechanism only ejects fired shells. It does <u>not</u> eject live ammunition. Do not rely upon the ejector mechanism to unload the gun. Simply opening the gun does not unload it. To unload, open gun smartly, manually remove all cartridges, and visually check both chambers to be sure <u>both</u> chambers are unloaded.</p>
<h3 style="margin: 0;">MAKE SURE GUN IS UNLOADED</h3>	

After firing, move the safety to the 'S' position, move the top lever completely to the right, and pivot the barrels downward to open the action and eject the empty shot shells. Vigorously opening the barrels downward will assist in ejecting empty shells. If the action is opened with unfired shot shells in the chambers, they will be elevated (but not ejected) sufficiently to be easily extracted with the fingers. **You must remove live (unfired) cartridges manually! Visually inspect both chambers to be sure the shotgun is completely unloaded prior to closing the action when you are finished shooting.**

CORRECT UNLOADING SEQUENCE



WARNING – HANDLING



Never carry the shotgun loaded with the safety “off”. Never place a loaded gun against any object (wall, fence, vehicle, tree, etc.) because there is always the possibility that the gun will be knocked or jarred from its standing position and fall with sufficient force to be discharged. **Keep the safety on (S) unless actually firing.** Never point the gun at another person, or allow the muzzle to point at any part of your body, whether the safety is on or not. **The only safe gun is one in which the action is open and unloaded.**

ANY GUN MAY FIRE IF DROPPED

DISASSEMBLY PROCEDURE

 WARNING – DISASSEMBLY	
	<p>Never clean, lubricate, disassemble or work on a firearm while it is loaded.</p> <p>UNLOAD BEFORE DISASSEMBLY</p>

To take down the Ruger Over and Under Shotgun, proceed as follows:

1. Check both chambers to be sure that the gun is *unloaded*.
2. Pull out the forend latch lever and separate the forend assembly from the barrels as in Step 2, page 12 (See Figure 5, p. 12).
3. Push the top lever all the way to the right and open the gun, pivoting the muzzle end of the barrels downward and lifting the barrel assembly out of the receiver as the integral trunnions are disengaged from their corresponding recesses at the front end of the monobloc.
4. Replace the forend assembly onto the barrel assembly by aligning the forend latch hook with the forend latch lever and snapping together.

This completes the takedown required for all normal cleaning and maintenance purposes. *Further disassembly of component parts should only be undertaken by persons qualified in shotgun repair and is not recommended.*

GUNS SHOULD NOT BE STORED LOADED!

**USE THE LOCKING DEVICE SUPPLIED WITH THE SHOTGUN FOR STORAGE.
(SEE PAGE 4)**



CAUTION: THE RUGER OVER AND UNDER SHOTGUN SHOULD NOT BE FURTHER DISASSEMBLED BY PERSONS UNQUALIFIED IN SHOTGUN REPAIR. IMPROPER FUNCTIONING AND DAMAGE TO THE GUN MAY RESULT.

IF THE BUTT STOCK IS REMOVED FROM THE FIREARM, UPON REASSEMBLY, IT MUST BE RETORQUED TO A MAXIMUM OF 4 FT/LBS. EXCESSIVE TIGHTENING OF THE STOCK BOLT (PART S-37), MAY RESULT IN THE STOCK CRACKING.

CARE AND CLEANING



WARNING: BEFORE CLEANING, BE CERTAIN THAT BOTH CHAMBERS OF THE SHOTGUN CONTAIN NO CARTRIDGES

Always check to be sure the gun is completely *unloaded* before cleaning.

1. Take down the gun. (See Disassembly Procedure, p. 19)
2. Using a proper cleaning rod, run a solvent-wetted patch through each bore several times. Then run dry patches through the bore to remove all traces of residue. The bore, as referred to here, includes the chamber.
3. If the bore is leaded to the extent that the above patch-cleaning procedure will not remove the lead or plastic residue, then scrub the bore, full length, with a solvent-wetted brass-bristle brush. When the leading has been scrubbed loose, clean as described in Step 2 above.
4. The polished surfaces of the monobloc, ejectors, and inside surfaces of the receiver where the monobloc rests should be coated with a very light film of lubricating oil.
5. Reassemble the gun, and wipe exterior metal surfaces with a sparingly oiled cloth. Accumulation of oil tends to attract dirt which can interfere with the safe and reliable function of the gun. Swab the bores with an oily patch before storing the gun. *Do not apply excess oil.*

Do not store a shotgun in a leather scabbard. Leather attracts moisture even though it may appear to be perfectly dry.



WARNING – LUBRICATION



Firing a shotgun with oil, grease, or any other material even partially obstructing the bore may result in damage to the shotgun and serious injury to the shooter and those nearby. Do not spray or apply lubricants directly on shot shells. If the shot shell charge is affected by the lubricant, it may not be ignited, but the primer firing may push shot or wads into the bore where they may be lodged. Firing a subsequent shot into the obstructed bore may damage the gun and cause serious injury or death to the shooter and those nearby. Use lubricants properly. You are responsible for the proper care and maintenance of your firearms.

**IMPROPER LUBRICATION
DESTROYS GUNS**

PERIODIC MAINTENANCE – At regular intervals, or whenever the gun has been exposed to sand, dust, extreme humidity, condensation, immersion in water, or other adverse conditions, take down and clean and oil as outlined above.

Lubricate contact area of forend iron and receiver with Stainless steel lubricant. Proper periodic maintenance is essential to the reliable functioning of any firearm.



WARNING – STORAGE



Never place or store any firearm in such a manner that it may be dislodged. Firearms should always be stored securely and unloaded, away from children and careless adults. Use the locking device supplied with the shotgun for storage.

STORE SECURELY & UNLOADED

MAINTENANCE OF STAINLESS STEEL COMPONENTS

Firearms and components made of stainless steel are relatively more resistant to corrosion than those of blued steel. However, in the interest of proper operation and long life of a stainless steel firearm, inspect it frequently and clean, lubricate and apply an appropriate rust preventative.

Sometimes discoloration occurs from perspiration or from contact with some types of gun cases. Rusting may occur as a result of the firearm being exposed to moisture, salt air or chemicals.

Minor discoloration can usually be removed by rubbing the stainless steel area with an abrasive ink eraser, crocus cloth, or a “metal polishing” compound. When using any of these abrasives, proceed with care and use light pressure to achieve a blending of “color” with those areas that are not discolored.

External surfaces most subject to rusting from handling, or from exposure to the elements should be cleaned and wiped dry after use or after exposure to adverse conditions. If the shotgun is to be stored, coat it with a light film of oil or preservative. Where the shotgun is in continuing use, and the presence of oil or grease would be objectionable, then the external surfaces can be coated (after cleaning and drying) with a paste wax formulated for use on metals. Apply the wax sparingly, allow time for it to dry hard, then buff lightly with a soft cloth. When applying the wax, take care that it does not get into the mechanism or on the functioning parts or in the bore.

SERVICE AND PARTS POLICY

If you have any question with regard to the performance of your **RUGER® OVER AND UNDER SHOTGUN** please write or call (603-865-2442) our Product Service Department, 411 Sunapee Street, Newport, New Hampshire 03773, fully describing all circumstances and conditions involved. If you should return your shotgun to the factory for repair, or order parts for it, please comply with the following suggestions for prompt service.



WARNING: BEFORE SHIPPING ANY FIREARM, BE ABSOLUTELY CERTAIN THAT IT IS UNLOADED. DO NOT SHIP CARTRIDGES WITH A FIREARM.

SHIPPING FIREARMS FOR REPAIR

RUGER® OVER AND UNDER SHOTGUNS returned to the factory for repair should be sent to: Sturm, Ruger & Company, Inc., Product Service Department, 411 Sunapee Street, Newport, New Hampshire 03773. Telephone (603) 865-2442. Guns should be sent prepaid. We will not accept collect shipments.

The Federal Gun Control Act, as well as the law of most States and localities, does not prohibit an individual (who is not otherwise barred from purchasing or possessing a firearm) from shipping a firearm directly to the manufacturer for repair. However, before you ship your shotgun to us, be certain that your State or locality does not have a law or regulation which will prohibit you from receiving the shotgun from us after it has been repaired. If such receiving is prohibited, then please have a Federally Licensed firearms dealer ship the gun to us. If your shotgun is sent to us by a dealer, it will be returned to him after being repaired. If a handgun (pistol or revolver) is shipped by an individual who does not hold a Federal Firearms License, it must be shipped via U.P.S. (Next Day Air) Persons who do not hold a Federal Firearms License are prohibited by Federal law from shipping a handgun by Mail. Handguns mailed in violation of the law are impounded by the Post Office.

Please do not include your carrying case, scabbard, or custom accessories with a firearm being shipped to the factory for service. **DO NOT SEND GUN BOXES OR LITERATURE THAT YOU CONSIDER TO BE COLLECTOR'S ITEMS – THESE ARE INVARIABLY DAMAGED OR DESTROYED IN SHIPMENT.** Rifles and shotguns may be shipped via Parcel Post. Always insure your shipment.

Enclose a letter which includes your name, address, telephone number, serial number and model of the firearm. Describe in detail the trouble you have experienced with your firearm, or the work you wish to have done. Merely stating that the firearm "needs repair" is inadequate information.

Work performed will bear a net minimum labor charge of \$20.00 plus a \$12.00 shipping and handling charge. The charge for rebluing the **RUGER® OVER AND UNDER SHOTGUN** is \$75.00 plus a \$12.00 shipping and handling charge. Custom gunsmithing service or nonstandard alterations are NOT AVAILABLE from Ruger Product Service Departments.

The charge for converting the automatic safety of the Ruger Over and Under Shotgun to a non-automatic safety which must be engaged manually is \$20.00 which includes labor plus \$12.00 shipping and handling. Please ship your gun to the factory for this safety change along with a specific request that we change your safety to non-automatic operation.



WARNING – PARTS PURCHASERS



It is the purchaser's responsibility to be absolutely certain that any parts ordered from the factory are correctly fitted and installed. Firearms are complicated mechanisms and **IMPROPER FITTING OF PARTS MAY RESULT IN A DANGEROUS MALFUNCTION, DAMAGE TO THE FIREARM, AND SERIOUS INJURY TO THE SHOOTER AND OTHER PERSONS.** The purchaser and installer of parts must accept full responsibility for the correct adjustment and functioning of the shotgun after such installation.

PARTS MUST FIT CORRECTLY

ORDERING PARTS

Please contact the New Hampshire Product Service Department for parts availability and current prices. All parts orders for the **RUGER® OVER AND UNDER SHOTGUN** should be sent to: Sturm, Ruger & Company, Inc., Product Service Department, 411 Sunapee Street, Newport, New Hampshire 03773, (603) 865-2442. We cannot comply with open account or C.O.D. requests. Payment in the form of a check, money order, Visa or Mastercard must accompany your order. Credit Card orders must include the account number, expiration date and whether it is a Visa or Mastercard account. Minimum parts order is \$1.00 plus a \$3.50 shipping and handling charge. Order parts by Part Number and Part Name and include the entire serial number of the firearm for which the parts are being ordered. There is a minimum net labor charge of \$20.00 if the parts are factory fitted. All factory-fitted parts are fitted on an exchange basis only. We will not return the replaced parts.

Barrels and a number of other component parts must be fitted at the factory. Company policy is to proof-test and/or function fire all barrels after fitting to the receivers in which they are to be used. This procedure ensures maximum protection to our customers. The special proof-test ammunition used in this testing is sold only to bonafide firearms manufacturers and is not available to gun shops, gunsmiths, or individuals.

Because the receiver of the **RUGER® OVER AND UNDER SHOTGUN** is defined as a "firearm" by Federal Law, it is not offered for sale as a separate component part.

*Parts designated by an asterisk must be factory fitted. These parts are fitted on an exchange basis only. We will not return the replaced parts. We will not return any part that is broken, malfunctioning, badly worn or has been modified. See "Warning – Parts Purchasers" above.



CAUTION: A GUN CONTAINING MODIFIED, BROKEN, MALFUNCTIONING, OR BADLY WORN PARTS SHOULD NOT BE FIRED.

RUGER® OVER AND UNDER SHOTGUNS

PARTS LIST

Design, prices and specifications subject to change without notice.

SPECIFY MODEL AND GAUGE WHEN ORDERING

(See Exploded View on Page 32.)

Part Name	Part No.	Model
* Barrel Assembly, 26"	OU8009A	12 ga. Pistol Grip & English Straight Stock Models
* Barrel Assembly, 28"	OU8010A	12 ga. Pistol Grip & English Straight Stock Models
* Barrel Assembly, 30"	OU8005A	12 ga. Sporting Clays Models
* Barrel Assembly, 26"	KOU8009	12 ga. Synthetic Stock Model
* Barrel Assembly, 28"	KOU8010	12 ga. Synthetic Stock Model
* Barrel Assembly, 30"	KOU8005	12 ga. Synthetic Stock Model
* Barrel Assembly, 26"	OU8007A	20 ga. Pistol Grip & English Straight Stock Models
* Barrel Assembly, 28"	OU8008A	20 ga. Pistol Grip & English Straight Stock Models
* Barrel Assembly, 30"	OU8011A	20 ga. Sporting Clays Model
* Barrel Assembly, 26"	OU8012A	28 ga. Pistol Grip & English Straight Stock Models
* Barrel Assembly, 28"	OU8013A	28 ga. Pistol Grip & English Straight Stock Models
Barrel Filler Strip, 26" Barrel Only, 2 Req'd	OU02201	12 & 20 ga. <i>only</i>
Barrel Filler Strip, 28" Barrel Only, 2 Req'd	OU02202	12 & 20 ga. <i>only</i>
Barrel Filler Strip, 26" Barrel Only, 2 Req'd	KOU02201	12 ga. Synthetic Stock Model
Barrel Filler Strip, 28" Barrel Only, 2 Req'd	KOU02202	12 ga. Synthetic Stock Model
* Blocking Bar	KOU-49	All Models
Blocking Bar Retaining Pin	OU-36	All Models
Butt Plate, Plastic	C-90-SM	28 ga.
Butt Plate Screw, 2 Req'd	OU09105	28 ga.
Cable Lock, 10" (Not Illustrated)	PM091A	All Models
Center Sight, 30" Barrel Only	OU06701	12 & 20 ga.

Part Name	Part No.	Model
Choke Insert Key	OU09002A-A	12 & 20 ga.
Choke Wrench	OU09017A	12 ga.
Choke Insert, X Full, 2 1/2"	KOU08909A-A	12 ga.
Choke Insert, Full, 2 1/2"	KOU08910A-A	12 ga.
Choke Insert, Modified, 2 1/2"	KOU08911A-A	12 ga.
Choke Insert, Improved Cylinder, 2 1/2"	KOU08912A-A	12 ga.
Choke Insert, Skeet, 2 1/2"	KOU08913A-A	12 ga.
Choke Wrench	OU09018A	20 ga.
Choke Insert, Full, 2"	KOU08914A-A	20 ga.
Choke Insert, Modified, 2"	KOU08915A-A	20 ga.
Choke Insert, Improved Cylinder, 2"	KOU08916A-A	20 ga.
Choke Insert, Skeet, 2"	KOU08917A-A	20 ga.
Choke Insert Key	OU09015A-A	28 ga.
Choke Wrench	OU09019A	28 ga.
Choke Insert, Full, 1 1/2"	KOU08920A-A	28 ga.
Choke Insert, Modified, 1 1/2"	KOU08921A-A	28 ga.
Choke Insert, Improved Cylinder, 1 1/2"	KOU08922A-A	28 ga.
Choke Insert, Skeet, 1 1/2"	KOU08923A-A	28 ga.
Cocking Rod, 2 Req'd.	OU01420	12 & 20 ga.
Cocking Rod, Right	OU01411	28 ga.
Cocking Rod, Left	OU01412	28 ga.
Cocking Rod Spring	OU04401	12 & 20 ga.
Cocking Rod Spring	OU04402	28 ga.
* Ejector, Left	OU-8L-12	12 ga.

	Part Name	Part No.	Model
*	Ejector, Right	OU-8R-12	12 ga.
*	Ejector, Left	OU00814	12 ga.
*	Ejector, Right	OU00816	12 ga.
*	Ejector, Left	OU-8L-20	20 ga.
*	Ejector, Right	OU-8R-20	20 ga.
*	Ejector, Left	OU00818	20 ga.
*	Ejector, Right	OU00820	20 ga.
*	Ejector, Left	OU00810	28 ga.
*	Ejector, Right	OU00812	28 ga.
	Ejector Plunger, 2 Req'd.	OU02900	12 & 20 ga.
	Ejector Plunger, 2 Req'd.	OU02902	28 ga.
	Ejector Sear Plunger, 2 Req'd.	OU-46	All Models
	Ejector Sear Plunger Spring, 2 Req'd.	OU-47	All Models
*	Ejector Sear, Left	OU-13L-12	12 ga.
*	Ejector Sear, Right	OU-13R-12	12 ga.
*	Ejector Sear, Left	OU01312	12 ga.
*	Ejector Sear, Right	OU01313	12 ga.
*	Ejector Sear, Left	OU-13L-20	20 ga.
*	Ejector Sear, Right	OU-13R-20	20 ga.
*	Ejector Sear, Left	OU01314	20 ga.
*	Ejector Sear, Right	OU01315	20 ga.
*	Ejector Sear, Left	OU01309	28 ga.
*	Ejector Sear, Right	OU01311	28 ga.
	Ejector Spring, 2 Req'd.	OU-30	All Models

Part Name	Part No.	Model
Ejector Spring Guide, 2 Req'd.	OU-30A	All Models
* Firing Pin, Top	OU-11-12	12 & 28 ga.
* Firing Pin, Bottom, Not Illustrated	OU-11-20	12 & 20 ga.
	2 Req'd for 20 Gauge	
* Firing Pin, Bottom, Not Illustrated	OU01104	28 ga.
Firing Pin Retaining Pin	OU-51	12 & 20 ga.
Firing Pin Retaining Pin, 2 Req'd.	KOU09103	28 ga.
Firing Pin Spring, 2 Req'd.	OU-12	All Models
* Forearm, American Walnut	OU00502	12 ga.
* Forearm, Circassian	OU00506	12 ga. Woodside Models
* Forearm, Synthetic	OU00511	12 ga. Synthetic Stock Models
* Forearm, American Walnut	OU00503	20 ga.
* Forearm, American Walnut	OU00504	28 ga.
Forend Escutcheon Medallion, Brass	S-61	All Models
Forend Filler Block, Left	OU-78L-12	12 ga.
Forend Filler Block, Right	OU-78R-12	12 ga.
Forend Filler Block, Left	OU-78L-20	20 ga.
Forend Filler Block, Right	OU-78R-20	20 ga.
Forend Filler Block, Left	OU07807	28 ga.
Forend Filler Block, Right	OU07808	28 ga.
Forend Filler Screw, 4 Req'd.	OU-81-20	All Models
Forend Iron Escutcheon	OU-27	All Models
Forend Iron Escutcheon Screw	KOU-48	All Models
* Forend Iron Sub-Assembly	KOU-79-12	12 ga.

	Part Name	Part No.	Model
*	Forend Iron Sub-Assembly	KOU-79-20	20 ga.
*	Forend Iron Sub-Assembly	KOU07902	28 ga.
	Forend Latch Lever	KOU-28	12 & 20 ga.
	Forend Latch Lever	KOU02803	28 ga.
	Forend Latch Lever Pin	OU-40	All Models
	Forend Latch Plunger	OU-74	All Models
	Forend Latch Spring	OU-41	All Models
	Front Sight	OU-67	All Models
*	Hammer Interrupter	KOU-75	12 & 20 ga.
*	Hammer Interrupter	KOU07503	28 ga.
	Hammer Pivot Pin	OU-43	All Models
*	Hammer Strut Assembly, Left	KOU90009A	12 & 20 ga.
	(Includes KOU90009 & OU-18) Specify Model, Gauge & Serial Number		
*	Hammer Strut Assembly, Right	KOU90010A	12 & 20 ga.
	(Includes KOU90010 & OU-18) Specify Model, Gauge & Serial Number		
*	Hammer Strut Assembly, Left	KOU90012A	28 ga.
	(Includes KOU90012 & OU-18) Specify Model, Gauge & Serial Number		
*	Hammer Strut Assembly, Right	KOU90011A	28 ga.
	(Includes KOU90011 & OU-18) Specify Model, Gauge & Serial Number		
*	Hammer, Left	KOU01716	12 & 20 ga.
*	Hammer, Right	KOU01717	12 & 20 ga.
*	Hammer, Left	KOU01709	28 ga.
*	Hammer, Right	KOU01711	28 ga.
	Inertia Weight Pivot Pin	OU-51	All Models

Part Name	Part No.	Model
Inertia Weight Spring	OU-58	All Models
* Interrupter Plunger	OU-85	All Models
* Interrupter Plunger Spring	OU-83	All Models
* Locking Bolt	KOU-9	12 & 20 ga.
* Locking Bolt, Open-Sided	KOU-9E-12	12 & 20 ga.
* Locking Bolt	KOU00903	28 ga.
Mainspring Lever Pivot Pin	KH06300	20 ga.
Pistol Grip Cap, Steel	S-97	12, 20 & 28 ga. Pistol Grip Stock Models
Pistol Grip Cap	KOU09700	12 ga. Synthetic Stock Models
Pistol Grip Cap Medallion, Brass	S-61	12, 20 & 28 ga. Pistol Grip & 12 ga. Synthetic Stock
Pistol Grip Cap Screw	S-36	12, 20 & 28 ga. Pistol Grip & 12 ga. Synthetic Stock
Recoil Pad, Rubber	D06304	12 & 20 ga.
Recoil Pad	OU6308	12 ga. Synthetic Stock Models
Recoil Pad Screw, 2 Req'd.	D-84	12 & 20 ga.
Safety Block	KOU-52	All Models
Safety Detent Plunger, 2 Req'd.	OU-39	All Models
Safety Detent Spring, 2 Req'd.	OU-54	All Models
Safety Thumbpiece	OU-32	12 & 20 ga.
Safety Thumbpiece	KOU-32	12 ga. Synthetic Stock Models
Safety Thumbpiece	OU03202	28 ga.
Safety Thumbpiece Detent	OU-68	All Models
Safety Thumbpiece Detent Spring	OU-69	All Models
* Sear Selector/Inertia Weight Assembly	OU-77	All Models
(Includes KE-55, KOU-16, OU-64, S-31 & KOU-53)		

	Part Name	Part No.	Model
	Sear Selector Pivot Pin	OU-66	All Models
*	Sear Spring	OU-42	All Models
*	Sear, Left	KOU02302	All Models
*	Sear, Right	KOU02304	All Models
	Stock Bolt	S-37	All Models
	Stock Bolt Lock Washer	OU09101	All Models
	Stock Bolt Washer	S-38	All Models
*	Stock, American Walnut, Pistol Grip	OU00408	12 ga.
*	Stock, American Walnut, Pistol Grip	OU00422	12 ga.
*	Stock, American Walnut, Pistol Grip	OU00409	20 ga.
*	Stock, American Walnut, Pistol Grip	OU00424	20 ga.
*	Stock, American Walnut, Pistol Grip	OU00411	28 ga.
*	Stock, American Walnut, Straight	OU00416	12 ga.
*	Stock, American Walnut, Straight	OU00426	12 ga.
*	Stock, American Walnut, Straight	OU00428	20 ga.
*	Stock, American Walnut, Straight	OU00413	28 ga.
*	Stock, Circassian, Pistol Grip	OU00415	12 ga. Woodside Models
*	Stock, Circassian, Straight	OU00420	12 ga. Woodside Models
*	Stock, Synthetic	OU00430	12 ga. Synthetic Stock Models
*	Top Lever	OU-6A-12	12 ga. except Synthetic Stock Models
*	Top Lever	KOU-6A-12	12 ga. Synthetic Stock Models
*	Top Lever	OU-6A-20	20 ga.
*	Top Lever	OU00607	20 ga.
*	Top Lever	OU00605	28 ga.

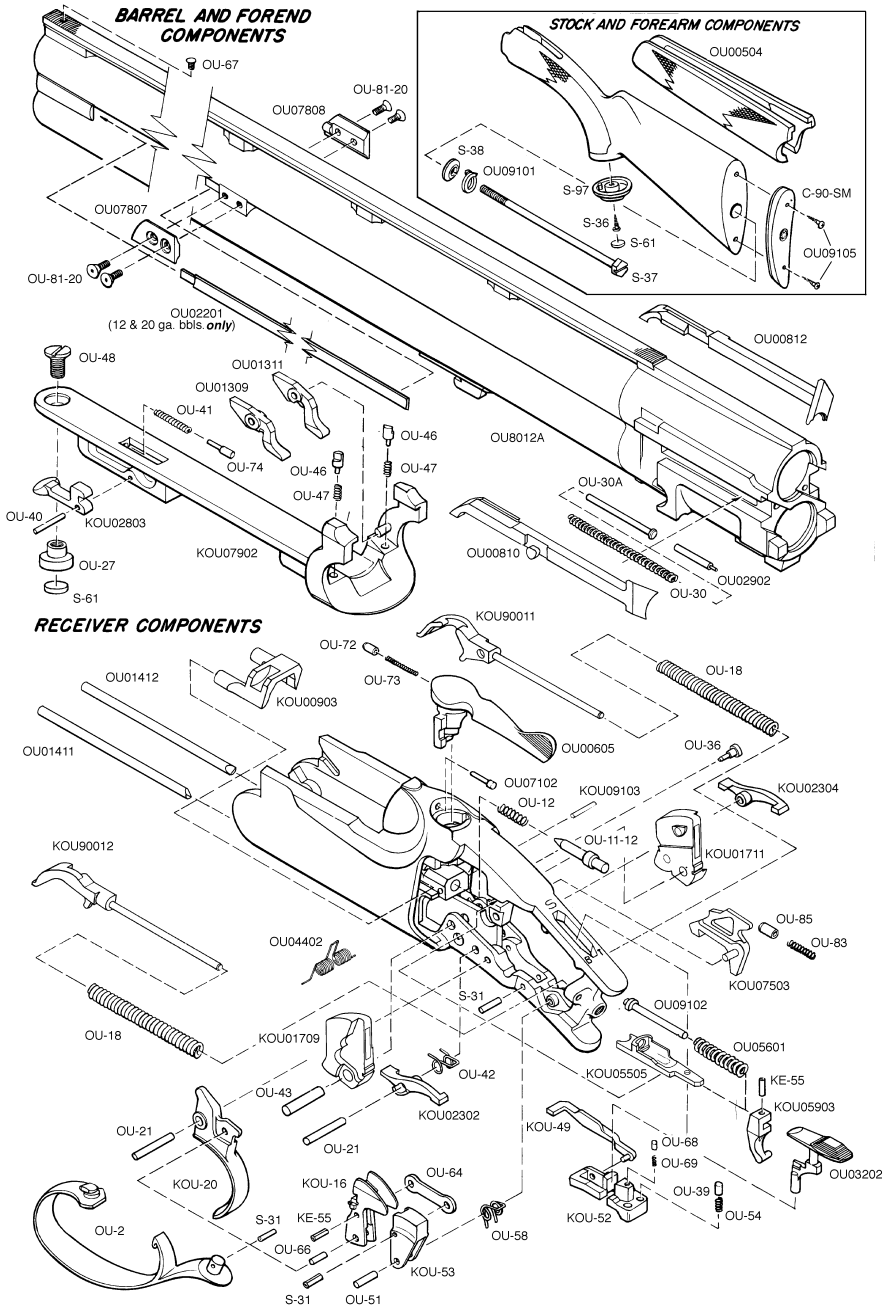
Part Name	Part No.	Model
Top Lever Pin & Spring Assembly (Includes OU09102 & OU05601)	OU09102A	All Models
Top Lever/Strut Assembly (Includes OU-55, OU-56, KOU-59 & KE-55)	OU-60	12 & 20 ga.
Top Lever/Strut Assembly (Includes KOU05505, KOU-59 & KE-55)	KOU60001	12 & 20 ga.
Top Lever/Strut Assembly (Includes KOU05505, KOU05903 & KE-55)	KOU60000	28 ga.
Top Lever Spring	OU05601	All Models
Top Lever Spring Pin	OU09102	All Models
Top Lever Trip Pin	OU-71-12	12 ga.
Top Lever Trip Pin	OU-71E-12	12 ga.
Top Lever Trip Pin	OU-71-20	20 ga.
Top Lever Trip Pin	OU-71E-20	20 ga.
Top Lever Trip Pin	OU07102	28 ga.
Top Lever Trip Plunger	OU-72	All Models
Top Lever Trip Plunger Spring	OU-73	All Models
* Trigger	KOU-20	All Models
Trigger & Sear Pivot Pin, 2 Req'd.	OU-21	All Models
* Trigger Guard	OU-2	12, 20 & 28 ga.
* Trigger Guard - Stainless	KOU-2	12 ga. Synthetic Stock Models
Trigger Guard Retaining Pin & Trigger Stop Pin	S-31	All Models

* PARTS SO MARKED MUST BE FACTORY FITTED

RUGER® OVER AND UNDER SHOTGUN

EXPLODED VIEW

28 GA. MODEL SHOWN



THE BASIC RULES OF SAFE FIREARMS HANDLING

We believe that Americans have a right to purchase and use firearms for lawful purposes. The private ownership of firearms in America is traditional, but that ownership imposes the responsibility on the gun owner to use his firearms in a way which will ensure his own safety and that of others. When firearms are used in a safe and responsible manner, they are a great source of pleasure and satisfaction, and represent a fundamental part of our personal liberty.

Firearms do not cause accidents! Firearms accidents are almost always found to have been the result of carelessness, or ignorance on the part of the shooter of the basic rules of safe gun handling.

The following rules must be observed by gun users at all times. Safe gun handling is not just desirable, it is absolutely essential to your safety, the safety of others, and the continuation of gun ownership and sport shooting as we know it today.

1. LEARN THE MECHANICAL AND HANDLING CHARACTERISTICS OF THE FIREARM YOU ARE USING.



Not all firearms are the same. The method of carrying and handling firearms varies in accordance with the mechanical provisions for avoiding accidental discharge and the various proper procedures for loading and unloading. No person should handle any firearm without first having thoroughly familiarized himself with the particular type of firearm he is using, and with safe gun handling in general.

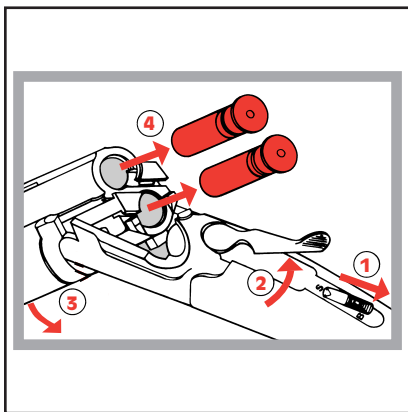
2. ALWAYS KEEP THE MUZZLE POINTED IN A SAFE DIRECTION.



Be sure of the bullet stop behind your target, even when dry-firing. Never let the muzzle of a firearm point at any part of your body or at another person. This is particularly important when loading or unloading a firearm. In the event of an accidental discharge, no injury can occur as long as the muzzle is pointing in a safe direction. A safe direction means a direction which will not permit a discharged bullet to strike a person, or to strike an object from which the bullet may ricochet.

A safe direction must take into account the fact that a bullet may penetrate a wall, ceiling, floor, window, etc., and strike a person or damage property. Make it a habit to know exactly where the muzzle of your gun is pointing whenever you handle it, and be sure that you are always in control of the direction in which the muzzle is pointing, even if you fall or stumble. Keep your finger off the trigger until you are ready to shoot.

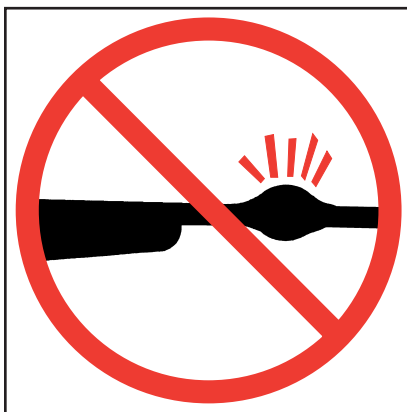
3. FIREARMS SHOULD BE UNLOADED WHEN NOT IN USE.



Firearms should be loaded only when you are in the field or on the target range or shooting area, ready to shoot. Firearms and ammunition should be securely locked in racks or cabinets when not in use. Ammunition should safely be stored separate from firearms. Store your firearms out of sight of visitors and children. It is the gun owner's responsibility to be certain that children and persons unfamiliar with firearms cannot gain access to firearms, ammunition, or components.

4. BE SURE THE BARREL IS CLEAR OF OBSTRUCTIONS BEFORE SHOOTING.

Even a bit of mud, snow or excess lubricating oil or grease in the bore may cause the barrel to bulge, or even burst on firing, and can cause serious injury to the shooter and bystanders. Be sure that you are using ammunition of the proper caliber and loading for the gun you are using. If the report or recoil on firing seems weak, or doesn't seem quite right, **CEASE FIRING IMMEDIATELY**, unload your firearm, and check to be sure that no obstruction has become lodged in the barrel. Never try to shoot out an obstruction!





5. BE SURE OF YOUR TARGET BEFORE YOU SHOOT.

Don't shoot unless you know exactly where your bullet is going to strike. Be sure of the bullet stop behind your target, even when dry-firing with an unloaded gun. If you are in the field hunting, do not fire at a movement or noise. Take the time to be absolutely certain of your target before you pull the trigger.

6. WEAR SHOOTING GLASSES AND HEARING PROTECTORS WHEN YOU SHOOT.

All shooters should wear protective shooting glasses and adequate hearing protectors when shooting. Exposure to shooting noise can damage hearing, and adequate eye protection when shooting is essential.

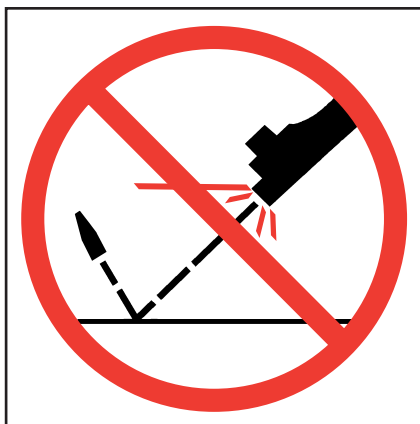


7. NEVER CLIMB A TREE OR FENCE WITH A LOADED FIREARM.

Put the firearm down carefully before climbing a fence, and unload it before climbing or descending a tree or jumping over a ditch or other obstruction. Never pull or push a loaded firearm toward yourself or another person. When in doubt, or whenever you are about to do anything awkward, unload your gun!

8. DON'T SHOOT AT A HARD SURFACE, OR AT WATER.

Bullets can glance off many surfaces like rocks or the surface of water and travel in unpredictable directions with considerable velocity.



9. NEVER TRANSPORT A LOADED FIREARM.

Firearms should always be unloaded before being placed in a vehicle. A suitable carrying case or scabbard should be used to carry an unloaded firearm to and from the shooting area.

10. AVOID ALCOHOLIC BEVERAGES WHEN SHOOTING.

Don't drink until the day's shooting is over. Handling firearms while under the influence of alcohol in any form, or medications that could affect your judgment or co-ordination, constitutes a criminal disregard for the safety of others.



A BRIEF ACCOUNT OF AN EXTRAORDINARY ACHIEVEMENT: RUGER FIREARMS

One of the few American firearms manufacturers whose management has remained unchanged since starting in business, Sturm, Ruger & Company, Inc., had its beginning in a small machine shop occupying a rented frame building in Southport, Connecticut. In January, 1949, with an initial investment of only \$50,000 and an idea, William B. Ruger and Alexander M. Sturm started production of a .22 caliber autoloading pistol—a design which was so successful that it became the cornerstone upon which one of the most comprehensive lines of sporting firearms ever made in America was established. After Alex Sturm's death in 1951, William B. Ruger continued to direct the company alone and today, as Chairman of the Board, he is actively involved in the creative engineering of new products and continues to provide the leadership which has made this 51-year-old company a sound and successful enterprise.

Sturm, Ruger & Company, in this relatively short time, has established itself as a leading small arms design organization, developing a unique and broad line of fine quality sporting, military and police firearms to become one of the world's most famous producers of revolvers, pistols, rifles and shotguns. From 1949 thru 2000 Ruger craftsmen have built many millions of firearms.

During its five decades of growth and progress under the leadership of William B. Ruger, the company has developed a business philosophy and implemented policies which represent a constructive influence in the life of modern America. From the beginning, Sturm, Ruger & Company played a positive role in conservation efforts and has supported the interests of shooters through such groups as the National Rifle Association, National Shooting Sports Foundation, and many regional sportsmen's organizations. The company has always endeavored to market its firearms for constructive and recreational purposes, to emphasize the traditional aspects of shooting, to render meaningful public services and to encourage shooters in constructive, responsible, and safe participation in the shooting sports.

Today, Sturm, Ruger & Company is particularly mindful of those elements which have contributed to the creation of its success, and extends heartfelt thanks to its many loyal employees and customers.

A current catalog of Ruger firearms is available free upon request to
Sturm, Ruger & Co., Inc., Southport, CT 06490

WHY NO WARRANTY CARD HAS BEEN PACKED WITH THIS NEW RUGER FIREARM

The Magnuson-Moss Act (Public Law 93-637) does not require any seller or manufacturer of a consumer product to give a written warranty. It does provide that if a written warranty is given, it must be designated as "limited" or as "full" and sets minimum standards for a "full" warranty. Sturm, Ruger & Company, Inc. has elected not to provide any written warranty, either "limited" or "full", rather than to attempt to comply with the provisions of the Magnuson-Moss Act and the regulations issued thereunder. There are certain implied warranties under state law with respect to sales of consumer goods. As the extent and interpretation of these implied warranties varies from state to state, you should refer to your state statutes. Sturm, Ruger & Company wishes to assure its customers of its continued interest in providing service to owners of Ruger firearms.



STURM, RUGER & Company, Inc.
Southport, Connecticut 06490 U.S.A.
<http://www.ruger-firearms.com>

“Arms Makers For Responsible Citizens”

**A COPY OF THE INSTRUCTION MANUAL FOR ANY RUGER
FIREARM IS AVAILABLE FROM THE FACTORY FREE ON REQUEST.
THESE INSTRUCTION MANUALS CONTAIN IMPORTANT
WARNINGS WHICH MUST BE UNDERSTOOD
BEFORE USING THESE FIREARMS.**

“RUGER”, the Sturm, Ruger logo, “SINGLE-SIX”, “BLACKHAWK”, “REDHAWK”, “SECURITY-SIX”,
“SPEED-SIX”, “SERVICE-SIX”, “BEARCAT”, “OLD ARMY”, “10/22”, “MINI-14”, “MINI THIRTY”,
“RANCH RIFLE”, “M77”, “77/22”, “GP-100”, “SP101”, “P-85” and “VAQUERO”
are registered U.S. trademarks.
“77/50” is a Ruger trademark.