

J. Higgins

MODEL 88



**9-SHOT .22-CALIBER
DOUBLE-ACTION REVOLVER**

MODEL 88



The J. C. Higgins Model 88 .22-Caliber Revolver is the newest member of a famous firearms family. Here is a fine 9-shot handgun at an amazingly low price — a double- and single-action revolver of truly modern design, with features usually found only on guns costing twice as much.

Your Model 88 uses regular or high-speed ammunition in .22-caliber Short, Long and

Long Rifle. It's loaded with advantages you'll be proud and happy to have in your gun—swing-out counterbored cylinder, crisp short trigger pull, single-stroke multiple ejection, quick take-down, adjustable rear sight, comfortable thumb rest.

And — you get your choice of a four- or six-inch barrel in this versatile handgun that is unexcelled for plinking, target work, pest or varmint shooting.

IMPORTANT: Before firing this revolver, be sure to clean barrel and cylinder thoroughly of grease or other obstructions. This is a safe gun. Handle it safely. Never point it at anything you do not intend to shoot. Treat *every* gun as a loaded gun.

CLEANING AND LUBRICATING

If you use J. C. Higgins ammunition this will practically eliminate any cleaning of barrel or cylinder. However, should any powder residue or dirt accumulate at these points, it can easily be removed.

To clean barrel, pull ejector rod forward and swing out cylinder to left (see Figure 1). Push a patch, moistened with a good solvent, through the barrel from the muzzle end. Soak a brass brush made for .22-caliber firearms in solvent and push it through the length of the bore several times. Push clean patches through the bore in the same manner until the last patch comes out clean. Then push through a lightly oiled patch.

Use a tooth brush soaked in solvent to remove any dirt or fouling from other operating parts. Wipe parts dry and oil lightly.

OPERATING INSTRUCTIONS

TO LOAD CYLINDER: Make certain hammer is down. Then pull ejector rod forward and swing out cylinder to left (see Figure 1). Insert one .22-caliber cartridge in each of the nine chambers of the cylinder and the gun is fully loaded. Swing cylinder shut and gun is ready to fire.

TO FIRE REVOLVER DOUBLE ACTION: When the trigger is pulled with the hammer in down position, the hammer rises with the backward motion of the trigger, the cylinder turns, and the hammer falls forward as the trigger comes all the way back. The fall of the hammer fires the cartridge that has been brought into position by the turning of the cylinder. Pull the trigger once to fire each of the cartridges remaining in the cylinder. It is possible to fire all nine shots very rapidly by double action.

A J. C. Higgins Pistol-Cleaning Kit, especially made for .22-caliber handguns, is available at your Sears store or from the catalog. This low-cost kit is a fine investment and contains everything you need to keep your revolver properly cleaned and lubricated. Another valuable item of equipment is a J. C. Higgins Silicone Cloth which will help to protect your gun from rust.

Your Model 88 is treated with new siliconized and polarized oil. This exclusive, patented process oil gets down into the pores of the steel and protects against perspiration and other corrosive elements which cause rust. This oil makes J. C. Higgins guns the most rust resistant of any guns you can buy and gives the best lubrication of any oil tested. It puts an attractive and protective sheen on the grips, too.

However, much more accurate shooting may be done by most shooters when the gun is fired single action (see below).

TO FIRE REVOLVER SINGLE ACTION: Point the revolver in the direction of your target and, using your thumb, pull back the hammer until it is in cocked position. The revolver is now ready for use and a gentle squeeze of the trigger will fire it. When firing single action, the revolver is cocked in this manner before each shot. Single-action shooting is, therefore, considerably slower than double-action shooting, but more accurate, because it makes it easier for you to hold the sights in proper alignment while firing.

TO UNLOAD GUN OR REMOVE FIRED CARTRIDGE CASINGS: Pull ejector rod forward and swing out cylinder to

left (see Figure 1). Then push ejector rod toward rear of gun and all unfired cartridges or empty casings will be ejected from the cylinder (see Figure 2). Pull ejector rod forward before attempting to reload or to close cylinder.

SIGHTING: This revolver has been targeted at the factory and the sights adjusted for a 50-foot range. It will probably be found to be sighted in satisfactorily for all targets within normal revolver range.

Correct sight alignment at the instant of firing is very important in handgun shooting. Because of the short distance between the front and rear sights, even small errors in lining up the sights when the trigger is squeezed can put the bullet inches — even feet! — away from the target.

If your Model 88 does not seem to hit where you point, do not adjust the sights

until you have thoroughly checked your holding and sighting procedure.

It is quite possible to do accurate revolver shooting with one eye closed or with both eyes open. However, most top revolver shots shoot with both eyes open and feel that this makes accurate shooting easier and faster.

If you shoot with both eyes open, make certain that you are looking down the barrel with your “master” eye or “sighting” eye. This is the right eye in the case of most people. (If you do not know which is your sighting eye, make a circle of your index finger and thumb, with your arm extended, and look through this at a distant object with both eyes open. Then close one eye. If you still see the same object through the loop of your finger and thumb, the eye remaining open is your sighting eye. If your thumb and finger appear to have moved to one side



Fig. 1

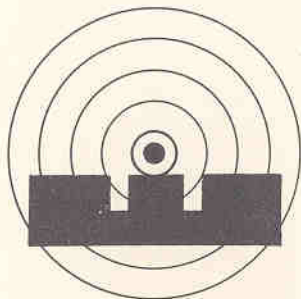


Fig. 3
Correct Sighting

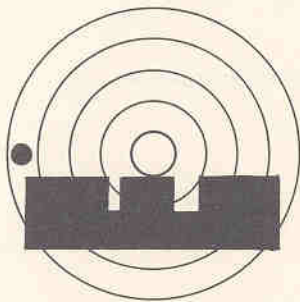


Fig. 4
Shot Left

with respect to the distant object, your sighting eye is the eye you closed.)

Figure 3 shows the way the sights should be aligned at the instant the revolver goes off, if a perfect shot is to be scored.

Figures 4, 5 and 6 show typical sighting errors. Notice how the point of impact is affected by incorrect sight alignment.

The following hints will help you to align your sights correctly and shoot accurately:

Stand in a comfortable, relaxed position.

Hold your revolver firmly, but not tensely, and try to hold it the same for each shot.

Don't worry if your arm wavers—everybody's does. But keep your sights properly aligned and keep the sights as close to the proper aiming spot as you can, especially when squeezing the trigger.

Rest the ball of your first finger on the trigger.

Squeeze the trigger straight back slowly—don't jerk it, and don't encircle it with your finger. Squeeze only when your sight picture is dead center.

Practice.

The front sight is staked in position and should not be moved. If the gun is found to shoot consistently left or right, use a soft wooden wedge and a hammer to move the rear sight very slightly in the same direction in which you wish to move the bullet impact point. Move the rear sight only very slightly and observe the results by firing several carefully aimed sighting shots as a group.

Do not attempt any sight adjustment until you have become entirely familiar with your Model 88 and have fired it a reasonable number of times with sights correctly aligned.

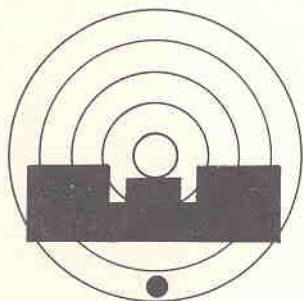
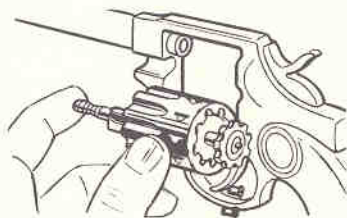


Fig. 5
Shot Low

Fig. 2

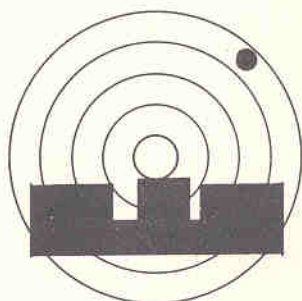


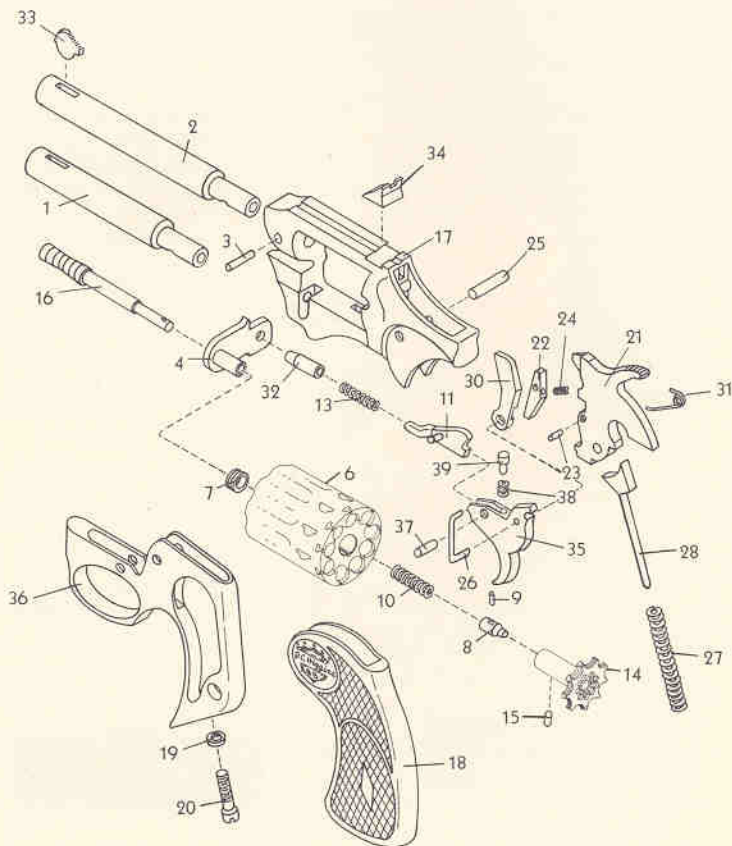
Fig. 6
Shot High and Right

List of Parts and Assemblies

J. C. Higgins Model 88 Revolver, Model Number 583.880. Be sure to mention Model Number 583.880 when ordering parts.

WHERE TO ORDER REPAIR PARTS: Any Sears retail or mail-order store will be happy to handle your order.

HOW TO ORDER: Specify Model 583.880. Also specify Reference Number, Part Number and Part Name. Hammer fall and trigger pull must be adjusted by skilled gunsmiths in Sears mail-order houses or by other competent gunsmiths.



REF. NO.	PART NO.	PART NAME	REF. NO.	PART NO.	PART NAME
* 1	7100	Barrel, Short	21	7127	Hammer
* 2	7101	Barrel, Long	22	7129	Hammer Pawl
3	7104	Barrel Pin	23	7130	Hammer Pawl Pin
* 4	7157	Crane Assembly (Composed of: 7105 Crane Link 7107 Crane Link Bearing)	24	7131	Hammer Pawl Spring
* 6	7109	Cylinder	25	7132	Hammer Pivot Pin
7	7110	Cylinder Bushing	26	7134	Hammer Safety Stop
8	7111	Cylinder Lock Plunger	27	7135	Hammer Spring
9	7112	Cylinder Lock Plunger Pin	*28	7154	Hammer Spring Guide Assembly (Composed of: 7136 Hammer Spring Guide Head 7137 Hammer Spring Guide Pin)
10	7113	Cylinder Lock Plunger Spring	30	7138	Hand
*11	7162	Cylinder Stop Assembly (Composed of: 7114 Cylinder Stop 7115 Cylinder Stop Cross Pin)	31	7139	Hand Spring
13	7158	Cylinder Stop Spring	32	7140	Link Pivot Pin
*14	7116	Ejector	33	7141	Sight, Front
15	7117	Ejector Alignment Dowel	34	7143	Sight, Rear
16	7118	Ejector Rod	35	7145	Trigger
17	7120	Frame (Not sold separately)	*36	7147	Trigger Guard
18	7122	Grip	37	7149	Trigger Pivot Pin
19	7125	Grip Lockwasher	38	7150	Trigger Spring
20	7126	Grip Screw	39	7151	Trigger Spring Plunger
				990.50	Parts List

* Must be fitted by skilled gunsmiths

OTHER FAMOUS *J. C. Higgins* GUNS

See these other J. C. Higgins models at your nearest Sears Store, or send a postcard for descriptive literature on all J. C. Higgins Guns to: Sears Roebuck and Company, Dept. 139, Chicago, Illinois. Ask for J. C. Higgins Circular No. 6495. Remember, these guns give you more quality and shooting pleasure for every dollar you invest!

Model 33 PUMP-ACTION .22



The Model 33 is the slickest .22-caliber pump-action rifle ever made! It's accurate, rugged and dependable, in the field and on the range. Uses regular or high-speed ammunition in .22-caliber rimfire interchangeably and without adjustment. Magazine holds 17 Long Rifle, 20 Long, or 25 Short cartridges. Features beautiful American Walnut butt stock and forearm, built-in base for telescopic sight, quick, crisp, easy action, and ramp-style front sight. A 4-power telescopic sight specifically adapted to this gun is available at low cost.

Model 31 .22 RIFLE



The versatile Model 31 is tops for field shooting and target practice. It operates with regular or high speed ammunition in .22 cal. rimfire which can be used interchangeably, without adjustment, in the magazine which holds 17 Long Rifle, 20 Long, or 25 Short shells. Outstanding with this rifle are a built-in mount base, a roll-away Nylon carrying sling, and a ramp-style front sight. A 4 power telescopic sight is available which is specifically adapted to Model 31.

Printed in U.S.A.

Parts List No. 990.50

J. C. Higgins Guns are sold **ONLY** by Sears, Roebuck and Co.
and Simpsons-Sears Limited