

FORSTER PRODUCTS

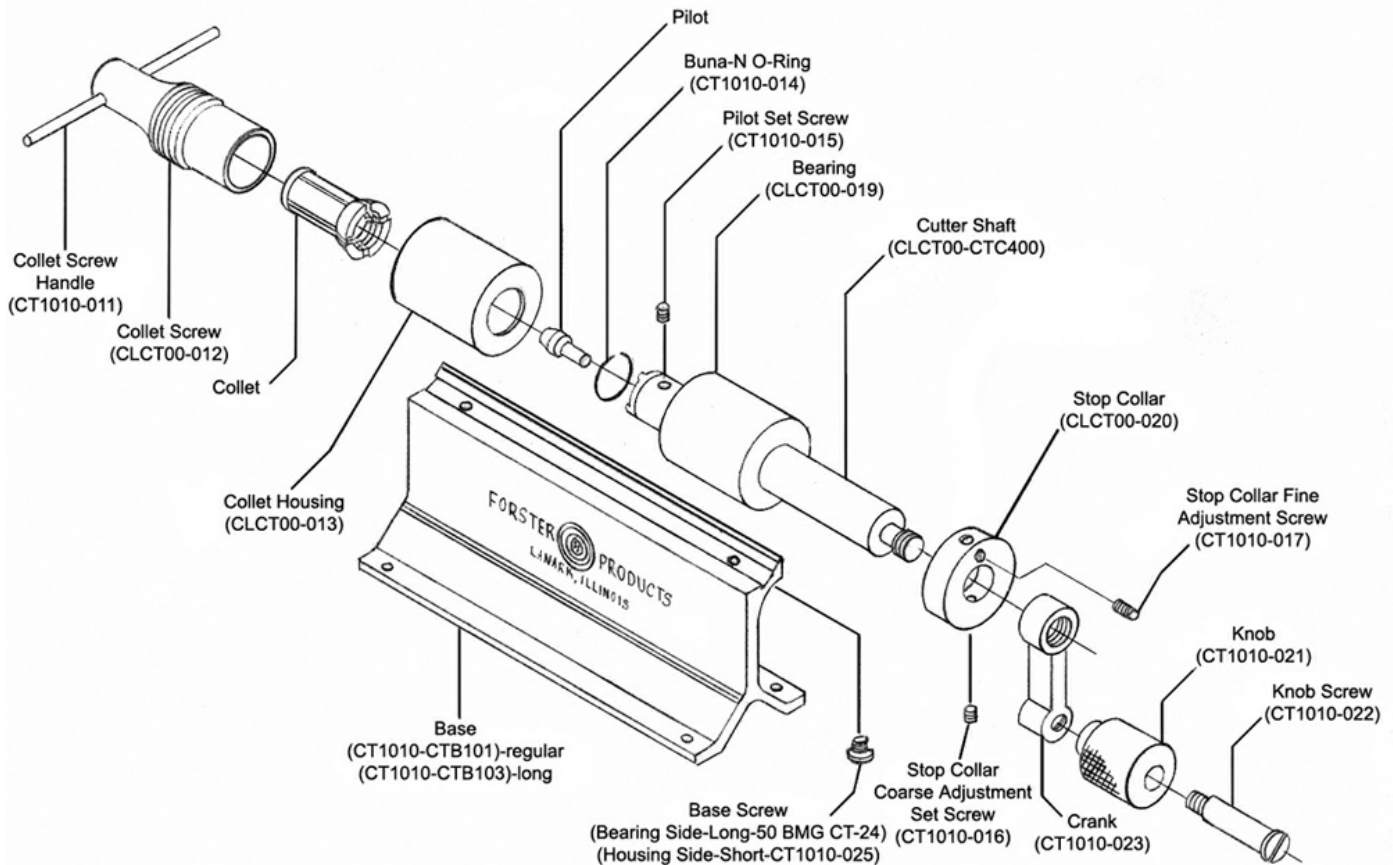
310 E. LANARK AVENUE, LANARK, ILLINOIS 61046

PHONE 815-493-6360

(FAX 815-493-2371)

www.forsterproducts.com

FORSTER CLASSIC CASE TRIMMER INSTRUCTIONS



INSTRUCTIONS

- 1) Fasten your Forster Case Trimmer securely to a bench or board to allow the free use of both hands. (If the Case Trimmer is mounted on a board, it can be held in a vise so that the Case Trimmer can easily be set up or put away).
- 2) Select the proper Pilot and Collet for the case you will trim. This information is available on our Web site.
- 3) Insert the Pilot into the Cutter Shaft (-CTC400). Press the Pilot firmly against the cutter teeth and lock it in place by tightening the Pilot Set Screw (-015) with the 5/64" allen wrench provided.
- 4) Remove the Collet Screw (-012) from the Collet Housing (-013). Apply a small amount of grease to the front face, tapered portion and base of the Collet. Insert the proper Collet into the Collet Screw (-012). Replace the Collet Screw (-012) and Collet into the Collet Housing (-013).
- 5) With tension on the Collet released, insert the base of the case to be trimmed into the Collet. Move the Pilot into the neck of the case. With one hand on the Crank (-023), push the base of the case against the shoulder of the Collet, then tighten the Collet Screw (-012) with the other hand. (To obtain accurate results, the base of the case must consistently be held against the shoulder of the Collet).
- 6) To adjust for case length, set the Stop Collar Fine Adjustment Screw (-017) to protrude about 1/32". Slide the Stop Collar (-020) toward the Bearing (-019) until the Fine Adjustment Screw (-017) is in contact with the Bearing (-019). Be sure the cutter teeth are in contact with the case neck, then tighten the Stop Collar Coarse Adjustment Set Screw (-016). Take a trial cut and remove the case to measure its length. **Refer to a reliable manual for correct case lengths.**
- 7) Fine adjustments can be made by turning the Stop Collar Fine Adjustment Screw (-017). Turn the screw clockwise to increase case length or counterclockwise to decrease case length. One complete turn of the Fine Adjustment Screw (-017) equals .032" in case length. Once the Case Trimmer is fine-adjusted for case length, lock the Stop Collar Fine Adjustment Screw (-017) in place with the Stop Collar Fine Adjustment Lock Screw (-015).
- 8) Occasionally lubricate the Cutter Shaft (-CTC400) with a drop of light oil.

Now that you are set up, you are ready to trim your entire lot of cases to a precise case length. While trimming, keep inward pressure on the crank assembly, but do not force the cutting action.

Your Forster Trimmer is a versatile tool which can be adapted to perform a variety of case conditioning operations.

- Sharp corners remaining on case necks after trimming can be easily removed by using the **Forster Inside-Outside Deburring Tool** (DB1000). Large batches of cases can be deburred easily with the **Forster DBT Base** (individual stand) (DB2000).
- Primer pockets in brass cases should be cleaned of powder residue after each firing to ensure proper primer seating. Use the **Forster Primer Pocket Cleaner** (PPC175, PPC210) to remove primer residue. The Primer Pocket Cleaner is mounted in the Cutter Shaft in place of the Pilot.
- Military primer pockets can be chamfered with the **Forster Primer Pocket Chamfering Tool** (PPCT01). This will remove most, if not all, of the crimp from the military cases.
- The **Forster Neck Reamer** (NR1####) is designed to remove excess brass from the inside neck walls of cases used in high-powered rifles. The Neck Reamer is mounted in the Cutter Shaft in place of the Pilot.
- Since neck reaming does not necessarily produce uniform neck thickness, the **Forster Outside Neck Turner** (OT1010) was developed to remove excess brass from the outside of the neck wall and, at the same time, produce neck walls of even thickness.
- All calibers can be hollowpointed with the **Forster Universal Hollowpointer** (HP1016, HP1018), which is available for all rifle and pistol cartridges in 1/16" and 1/8" size drills. Long and short case trimmer bases are available for hollowpointing long and short cartridges.

COLLETS, PILOTS, AND REAMERS FOR THE FORSTER CASE TRIMMER

CASE TRIMMER COLLET STEP DIMENSIONS

Collet No.	"A" Dimension	"B" Dimension
Collet #5	.584	.675
Collet #6	.545	.660
Collet #7	—	.640
Collet #8	—	.610

Cutter resharpening service is available for \$8 prepaid. **Return the cutter shaft only.**

To find which case trimmer parts, including Collets and Pilots, are right for you, visit our online search database at www.forsterproducts.com
(Click on the "Parts Search" button in the top right navigation tabs.)

Ordering Collets and Pilots for cartridges is easy. To order the proper Collet, determine the case's diameter at the rim of the case. Refer to the collet step dimension chart (above) and choose the Collet that will accept your cartridge rim. To order the proper Pilot, determine the bullet diameter and order the Pilot which is most appropriate. For example, Pilot #30 (CT1030) will handle all rounds that utilize a .308" diameter bullet. In other words, one Pilot will work for the 30-06, 308, 30 Carbine, 7.62 NATO, 300 Weatherby Mag., etc. If you have any problems or questions about ordering, please call us at (815) 493-6360, and someone will assist you.

**Thank you for purchasing a Forster Precision Product. Please wear safety glasses.
Forster Catalogs are available upon request.**