

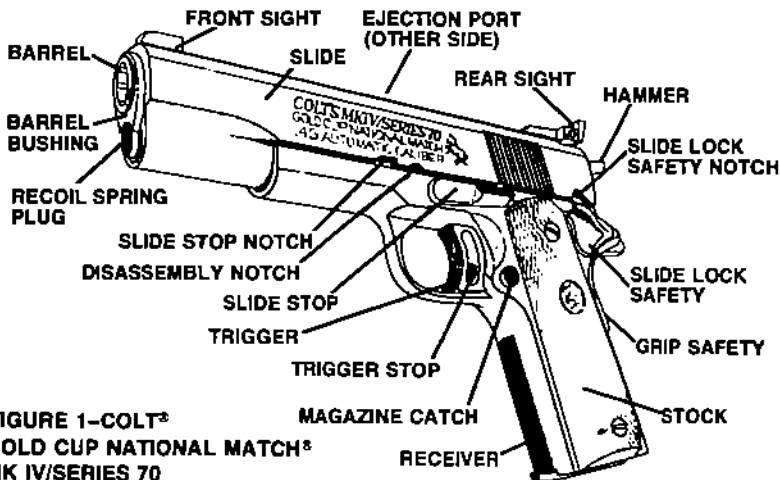
**WARNING: BEFORE USING THIS FIREARM,
READ AND FOLLOW THESE INSTRUCTIONS!**



COLT® GOLD CUP NATIONAL MATCH® MK IV/SERIES 70

© 1981 Colt Industries Operating Corp

This instruction manual should always accompany this firearm
and be transferred with it upon change of ownership.



**FIGURE 1—COLT®
GOLD CUP NATIONAL MATCH®
MK IV/SERIES 70**

CAUTION: USE ONLY ORIGINAL HIGH QUALITY COMMERCIALLY MANUFACTURED AMMUNITION IN GOOD CONDITION WHICH IS APPROPRIATE TO THE CALIBER OF YOUR PISTOL—(SEE TABLE BELOW.) AND NEVER CARRY THE PISTOL WITH A ROUND IN THE CHAMBER UNTIL READY TO SHOOT.

PISTOL TYPE	SUITABLE AMMUNITION	MAG. CAPACITY
Gold Cup National Match® MK IV/ Series 70	45 ACP	7 Rounds

SECTION 1

PRECAUTIONS

READ AND UNDERSTAND ALL THE FOLLOWING PRECAUTIONS BEFORE REMOVING THIS FIREARM FROM ITS PACKAGE.

THIS COLT PRODUCT IS CLASSIFIED BY THE ALCOHOL, TOBACCO AND FIREARMS DIVISION OF THE INTERNAL REVENUE SERVICE, U.S. TREASURY DEPARTMENT, AS A FIREARM OR DANGEROUS WEAPON; IT IS, THEREFORE, POTENTIALLY LETHAL!

WARNING: IF THIS FIREARM IS CARELESSLY OR IMPROPERLY HANDLED, UNINTENTIONAL DISCHARGE COULD RESULT AND COULD CAUSE INJURY, DEATH, OR DAMAGE TO PROPERTY.

CAUTION: CAREFULLY READ THIS INSTRUCTION MANUAL WHICH GIVES BASIC ADVICE ON THE PROPER HANDLING AND FUNCTIONING OF THIS COLT FIREARM PRIOR TO LOADING AND FIRING. HOWEVER, YOUR SAFETY AND THE SAFETY OF OTHERS (INCLUDING YOUR FAMILY) DEPENDS ON YOUR MATURE COMPLIANCE WITH THAT ADVICE, AND YOUR ADOPTION, DEVELOPMENT AND CONSTANT EMPLOYMENT OF SAFE PRACTICES. IF UNFAMILIAR WITH FIREARMS, SEEK FURTHER ADVICE THROUGH SAFE HANDLING COURSES RUN BY YOUR LOCAL GUN CLUBS, NRA APPROVED INSTRUCTOR, OR SIMILAR QUALIFIED ORGANIZATIONS.

NOTICE – DISCLAIMER OF LIABILITY

Colt shall not be responsible for injury, death, or damage to property resulting from either intentional or accidental discharge of this firearm, or from its function when used for purposes or subjected to treatment for which it was not designed. Colt will not honor claims involving this firearm which result from careless or improper handling, unauthorized adjustment or parts replacement, corrosion, neglect, or the use of wrong caliber ammunition, or the use of ammunition other than original high quality commercially manufactured ammunition in good condition, or any combination thereof. Colt will not honor claims involving this firearm for any reason or cause when such claims are made by the second or subsequent owner.

IMPORTANT

Before it left the factory this firearm was tested, carefully inspected, and packaged. Colt cannot control product handling after it leaves the factory; therefore, please examine this firearm carefully at the time of purchase to insure that it is unloaded and undamaged. The dealer will be pleased to assist you in making this examination and endeavor to answer your further questions.

This instruction manual should always accompany this firearm and be transferred with it upon change of ownership.

LIST OF SECTIONS

SECTION	TITLE	PAGE
1	PRECAUTIONS	1
2	Main Features	4
3	Safety Instructions	5
	Features:	
	Slide Lock Safety	12
	Grip Safety	13
	Half-Cock Notch in Hammer	13
	Disconnecter	14
	Inertia Firing Pin	14
4	Function:	15
	Loading	16
	Unloading	19
	Firing	20
5	Maintenance:	24
	Stripping for Cleaning	26
	When to Clean	28
	How to Clean	29
	Cleaning the Magazine	30
	Storage	32
	Service and Repair	32
6	Parts Illustration and List	34
7	The Customized Gun	36

SECTION 2**MAIN FEATURES**

The Colt Gold Cup National Match MK IV/Series 70 represents the ultimate in 45 caliber target pistols. Its development is the result of Colt's long and close association with serious target shooters who demand the satisfaction of extremely accurate range firing. The basic design is that of the Government Model 45 which has seen such valiant service with our armed forces for many years. In adapting this truly superior service firearm for competitive shooting, every effort has been made to incorporate those features which should make the difference at the firing line. Here are some of those features:

- The 5" barrel is held secure relative to the line of sight during bullet exit.
- A patented barrel and bushing provide an extremely close fit between muzzle and slide.
- An adjustable trigger stop limits finger movement after sear release so that aim is not disturbed.
- Grooves on the wide trigger and front of receiver give greater firing control.
- The adjustable square notch Colt Elliason rear sight features positive windage and elevation adjustment.
- The magazine has seven rounds capacity.
- The slide has a flat grooved top rib, angled serrations for a positive grip and an improved ejection port for controlled ejection.
- Like Colt's other current semi-automatic pistols, a number of manual and automatic safety devices are included.

SECTION 3**SAFETY INSTRUCTIONS**

We want you to enjoy shooting your Colt pistol, but we want you to enjoy it safely. You may be an experienced safe shooter already familiar with the procedures in this instruction manual, or you may never have handled a gun before. Either way we urge you to READ THIS ENTIRE INSTRUCTION MANUAL CAREFULLY. YOU MUST FOLLOW THE SAFETY INSTRUCTIONS FOR YOUR SAFETY AND THE SAFETY OF OTHERS.

WARNING: WHEN A ROUND IS IN THE CHAMBER, THIS PISTOL MAY DISCHARGE ACCIDENTALLY IF IT IS DROPPED OR RECEIVES A BLOW. (THIS CAN OCCUR REGARDLESS OF THE POSITION OF THE HAMMER OR ANY OF THEIR VARIOUS SAFETY DEVICES). DO NOT PUT A ROUND IN THE CHAMBER UNTIL THE PISTOL IS IN YOUR HAND AND YOU ARE READY TO SHOOT, AND CLEAR THE PISTOL IMMEDIATELY AFTER SHOOTING.

CAUTIONS:

1. ALWAYS HANDLE YOUR PISTOL AS IF IT WERE LOADED SO THAT YOU NEVER FIRE IT ACCIDENTALLY WHEN YOU THINK IT IS UNLOADED.
2. NEVER POINT YOUR PISTOL AT ANYTHING YOU DO NOT INTEND TO SHOOT SO THAT IF IT FIRES ACCIDENTALLY, INJURY, DEATH, OR DAMAGE TO PROPERTY WILL BE PREVENTED.

3. NEVER TAKE ANYONE'S WORD THAT A GUN IS UNLOADED; CHECK FOR YOURSELF WITH FINGERS OFF THE TRIGGER AND GUN POINTED IN A SAFE DIRECTION, SO THAT YOU NEVER FIRE THE GUN ACCIDENTALLY WHEN YOU THINK IT IS UNLOADED.

4. ALWAYS KEEP AND CARRY YOUR PISTOL EMPTY, WITH THE HAMMER FORWARD EXCEPT WHEN YOU INTEND TO SHOOT, SO THAT YOUR PISTOL CANNOT BE FIRED WHEN YOU DO NOT MEAN TO FIRE IT.

5. NEVER PLACE OR ALLOW THE HAMMER TO REMAIN IN THE HALF-COCK NOTCH. THIS IS NOT A SAFE CARRYING POSITION. ANY EFFORT TO ENGAGE THE HAMMER IN THE HALF-COCK NOTCH MAY RESULT IN THE HAMMER PERCHING ON THE LIP OF THE HALF-COCK NOTCH. THIS IS EXTREMELY HAZARDOUS. IF THE HAMMER IS IN THIS CONDITION IT COULD FALL FORWARD AND DISCHARGE THE PISTOL, THEREBY RISKING INJURY, DEATH, OR DAMAGE TO PROPERTY.

6. NEVER DRINK ALCOHOLIC BEVERAGES OR TAKE DRUGS BEFORE OR DURING SHOOTING, AS YOUR VISION AND JUDGMENT COULD BE SERIOUSLY IMPAIRED MAKING YOUR GUN HANDLING UNSAFE.

7. ALWAYS SEEK A DOCTOR'S ADVICE IF YOU ARE TAKING MEDICATION, TO BE SURE YOU ARE FIT TO SHOOT AND HANDLE YOUR PISTOL SAFELY.

8. ALWAYS BE SURE YOUR BACKSTOP IS ADEQUATE TO STOP AND CONTAIN BULLETS BEFORE BEGINNING TARGET PRACTICE SO THAT YOU DO NOT HIT ANYTHING OUTSIDE THE RANGE SHOOTING AREA.

9. ALWAYS PUT A KNOWLEDGEABLE AND RESPONSIBLE PERSON IN CHARGE TO MAINTAIN SAFETY CONTROL WHEN A GROUP IS FIRING ON A RANGE. OBEY HIS COMMANDS SO THAT DISCIPLINE IS MAINTAINED TO REDUCE THE LIKELIHOOD OF ACCIDENTS.

10. ALWAYS WEAR AND ENCOURAGE OTHERS NEAR YOU TO WEAR EAR PROTECTION WHEN SHOOTING, ESPECIALLY ON A RANGE. WITHOUT EAR PROTECTION, THE NOISE FROM YOUR PISTOL, AND OTHER GUNS CLOSE TO YOU, COULD LEAVE A "RINGING" IN THE EARS FOR SOME TIME AFTER FIRING, WHILE THE CUMULATIVE LONG TERM EFFECT COULD BE PERMANENT HEARING LOSS.

11. ALWAYS WEAR PROTECTIVE SHOOTING GLASSES FOR EYE PROTECTION.

12. ALWAYS BE SURE BARREL BORE, CHAMBER AND ACTION ARE CLEAN AND CLEAR OF OBSTRUCTIONS. CLEAN A FOULED PISTOL IMMEDIATELY SO THAT IT WILL FUNCTION CORRECTLY AND SAFELY.

13. ALWAYS USE ONLY CLEAN, DRY, ORIGINAL HIGH QUALITY COMMERCIALLY MANUFACTURED AMMUNITION IN GOOD CONDITION WHICH IS APPROPRIATE TO THE CALIBER OF YOUR PISTOL. (SEE INSIDE FRONT COVER). GUN AND AMMUNITION MANUFACTURERS DESIGN THEIR PRODUCTS WITHIN EXACTING ENGINEERING SAFETY LIMITS. HANDLOADS ARE SOMETIMES OUTSIDE THOSE LIMITS AND CAN BE UNSAFE.

14. ALWAYS CARRY YOUR PISTOL EMPTY AND OPEN WHILE ON A RANGE UNTIL PREPARING TO FIRE. KEEP IT POINTING TOWARDS THE BACKSTOP WHEN LOADING, FIRING AND UNLOADING, TO ELIMINATE THE RISK OF INJURY, DEATH, OR DAMAGE TO PROPERTY.

15. ALWAYS KEEP CLEAR AND KEEP OTHERS CLEAR OF THE EJECTION PORT. SPENT CARTRIDGES ARE EJECTED WITH ENOUGH FORCE TO CAUSE INJURY AND THE EJECTION PORT MUST BE UNOBSTRUCTED BY YOUR HAND TO INSURE SAFE EJECTION OF LIVE ROUNDS. NEVER PLACE FINGERS IN EJECTION PORT; THEY COULD BE BURNED BY HOT METAL OR INJURED BY THE SLIDE MOVING FORWARD.

16. NEVER SQUEEZE THE TRIGGER OR PUT YOUR FINGER IN THE TRIGGER GUARD UNTIL YOU ARE AIMING AT A TARGET AND READY TO SHOOT. THIS WILL PREVENT YOU FIRING THE PISTOL WHEN IT IS POINTING IN AN UNSAFE DIRECTION.

17. ALWAYS BE ABSOLUTELY SURE OF YOUR TARGET AND THE AREA BEHIND IT BEFORE YOU SQUEEZE THE TRIGGER. A BULLET COULD TRAVEL THROUGH OR PAST YOUR TARGET UP TO 1½ MILES . . . IF IN DOUBT, DON'T SHOOT.

18. FAILURE TO FIRE: ALWAYS HOLD PISTOL, KEEPING IT POINTED TOWARDS THE TARGET OR A SAFE OPEN AREA AND WAIT 30 SECONDS WHEN PISTOL FAILS TO FIRE. IF A HANG-FIRE (slow ignition) HAS OCCURRED, ROUND WILL FIRE WITHIN 30 SECONDS. IF ROUND DOES NOT FIRE, REMOVE MAGAZINE, EJECT ROUND AND EXAMINE PRIMER; IF FIRING PIN INDENT ON PRIMER IS LIGHT, OFF CENTER, OR NON-EXISTENT, HAVE PISTOL EXAMINED BY A COMPETENT GUNSMITH. IF FIRING PIN INDENT ON PRIMER APPEARS NORMAL (In comparison with similar previously fired rounds) ASSUME FAULTY AMMUNITION; SEGREGATE MISFIRED ROUND FROM OTHER LIVE AMMUNITION AND EMPTY CASES, RELOAD AND CARRY ON FIRING.

Note: Dispose of misfired rounds in accordance with ammunition manufacturer's instructions.

19. IF AT ANY TIME THE TRIGGER STOP PREVENTS PISTOL FIRING, THE SEAR COULD BE LEFT IN POSITION TO FIRE IF PISTOL SHOULD BE JARRED OR DROPPED. KEEP PISTOL POINTING TOWARDS TARGET. RELEASE TRIGGER AND UNLOAD IMMEDIATELY. ADJUST TRIGGER STOP AS DESCRIBED IN SECTION 5.

20. NEVER USE YOUR PISTOL IF IT FAILS TO FUNCTION PROPERLY, AND NEVER FORCE A JAMMED ACTION, AS A ROUND MAY EXPLODE CAUSING SERIOUS INJURY, POSSIBLE DEATH, OR SEVERE DAMAGE TO YOUR PISTOL.

21. NEVER LEAVE PISTOL COCKED READY TO FIRE AS THIS CONDITION IS EXTREMELY DANGEROUS, AND PISTOL COULD EASILY BE ACCIDENTALLY DISCHARGED, CAUSING INJURY, DEATH, OR DAMAGE TO PROPERTY.

22. NEVER SHOOT AT A HARD SURFACE SUCH AS ROCK, OR A LIQUID SURFACE SUCH AS WATER. A BULLET MAY RICOCHET AND TRAVEL IN ANY DIRECTION TO STRIKE YOU, OR AN OBJECT YOU CANNOT SEE, CAUSING INJURY, DEATH, OR DAMAGE TO PROPERTY.

23. NEVER FIRE YOUR PISTOL NEAR AN ANIMAL UNLESS IT IS TRAINED TO ACCEPT THE NOISE; AN ANIMAL'S STARTLED REACTION COULD INJURE IT OR CAUSE AN ACCIDENT.

24. NEVER INDULGE IN "HORSEPLAY" WHILE HOLDING YOUR PISTOL AS IT MAY BE ACCIDENTALLY DISCHARGED.

25. NEVER WALK, CLIMB OR FOLLOW A COMPANION WITH YOUR PISTOL COCKED READY TO FIRE, OUT OF ITS HOLSTER, OR WITH THE HAMMER IN ANY POSITION OTHER THAN FORWARD ON AN EMPTY CHAMBER, TO ELIMINATE RISK OF ACCIDENTAL DISCHARGE. WHEN HUNTING, HOLD YOUR PISTOL SO THAT YOU CAN ALWAYS CONTROL THE DIRECTION OF THE MUZZLE.

26. NEVER LEAVE A LOADED PISTOL UNATTENDED. SOMEONE, ESPECIALLY A CHILD, MAY FIRE IT AND CAUSE INJURY, DEATH, OR DAMAGE TO PROPERTY.

27. ALWAYS MAKE SURE YOUR PISTOL IS NOT LOADED BEFORE CLEANING, STORING, TRAVELING, AND THE MAGAZINE IS REMOVED WITH SLIDE LATCHED OPEN BEFORE LAYING IT DOWN, OR HANDING IT TO ANOTHER PERSON, SO THAT IT CANNOT BE FIRED WHEN IT IS UNSAFE TO DO SO.

28. ALWAYS STORE YOUR PISTOL AND AMMUNITION IN SEPARATE LOCKED RECEPTACLES OUT OF REACH AND SIGHT OF CHILDREN, TO MINIMIZE THE RISK OF PISTOL AND AMMUNITION BEING EASILY AVAILABLE FOR LOADING AND FIRING.

29. ALWAYS INSTRUCT CHILDREN TO RESPECT FIREARMS. IF YOU TEACH YOUR CHILDREN TO SHOOT, TEACH THEM TO TREAT AND USE THE PISTOL PROPERLY, AND ALWAYS SUPERVISE THEM CLOSELY. ALWAYS STRESS SAFETY SO THAT YOUR CHILDREN WILL NOT FIRE THE PISTOL WHEN IT IS UNSAFE TO DO SO.

Note: Please note that we have chosen to use the word "SQUEEZE" in this instruction manual instead of "PULL" or "PRESS" when trigger movement is described; this is simply to remind you of the need for a gentle squeezing action to achieve accuracy.

SAFETY FEATURES

The Colt Gold Cup National Match MK IV/Series 70 incorporates several positive safety devices which, if properly employed, can minimize the danger of accidental firing. These safety devices are described below.

Slide Lock Safety

The Slide Lock Safety is located on the left of the pistol just below back of slide. With hammer fully cocked and Slide Lock Safety applied, upper part of Slide Lock Safety engages slide lock notch to prevent rearward movement of slide, while an internal cam surface engages the sear to prevent forward hammer movement when trigger is squeezed. This safety device can be applied only when slide is fully forward and hammer is in fully cocked position.

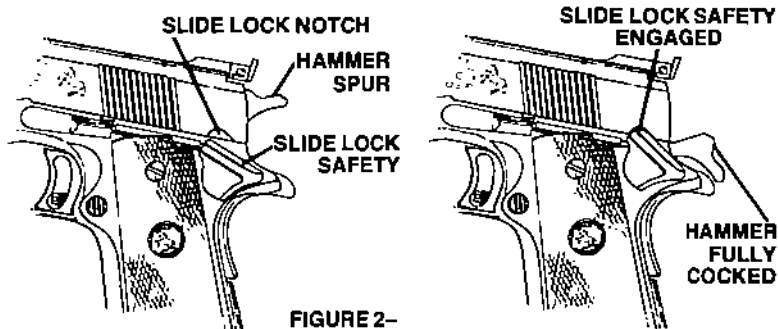


FIGURE 2—
SLIDE LOCK SAFETY

To apply Slide Lock Safety, point pistol in safe direction, do not touch trigger, pull slide fully to rear and allow it to return sharply forward, leaving hammer in fully cocked position. Press up on Slide Lock Safety until it fully engages slide lock notch (See Figure 2).

Grip Safety

The Grip Safety is located on the upper rear part of the receiver (See Figure 1). The Grip Safety is automatically applied by spring action to prevent rearward travel of trigger unless pistol grip is firmly and properly grasped. The front of the Grip Safety (inside the pistol frame) contacts rear of trigger to prevent its rearward movement. When the pistol grip is positively grasped, the Grip Safety is rotated out of contact with rear of trigger to allow trigger movement.

Half Cock Notch in Hammer

The Half Cock Notch is an automatically operating fail-safe device which will engage the sear in the unlikely event of primary sear notch failure. This will prevent the hammer from falling fully forward unintentionally and insure against uncontrolled automatic fire. It also prevents the hammer from striking the firing pin should your hand slip from the slide while cocking the pistol, provided the hammer is rotated past the Half Cock Notch. The Half Cock Notch is not meant to be engaged by hand.

CAUTION: NEVER PLACE OR ALLOW THE HAMMER TO REMAIN IN THE HALF COCK NOTCH. THIS IS NOT A SAFE CARRYING POSITION. ANY EFFORT TO ENGAGE THE HAMMER IN THE HALF COCK NOTCH MAY RESULT IN THE HAMMER PERCHING ON THE LIP OF THE HALF COCK NOTCH; THIS IS

EXTREMELY HAZARDOUS. IF THE HAMMER IS IN THIS CONDITION IT COULD FALL FORWARD AND DISCHARGE THE PISTOL, THEREBY RISKING INJURY, DEATH, OR DAMAGE TO PROPERTY.

Disconnecter

This safety device prevents a round being fired before it is in the chamber with slide and barrel locked. When slide is not fully forward the Disconnecter is depressed; its lower part disengages the sear, so that hammer cannot be released if the trigger is squeezed. However, when slide and barrel are locked, a spring pushes the Disconnecter up into a recess in the slide; this links trigger and sear so that the pistol can be fired by squeezing the trigger.

CAUTION: NEVER ATTEMPT TO CHECK OR DEMONSTRATE THE DISCONNECTOR FUNCTION WITH A LOADED PISTOL. PUSHING ON THE MUZZLE WITH YOUR HAND OR ANY OTHER PORTION OF THE BODY IS EXTREMELY DANGEROUS AND COULD RESULT IN ACCIDENTAL DISCHARGE CAUSING INJURY, DEATH, OR DAMAGE TO PROPERTY.

Inertia Firing Pin

The firing pin, which is shorter than its housing, is held to the rear by a spring and cannot protrude through face of slide unless the force of a blow overcomes the spring pressure and the inertia of the pin. This will occur when the hammer falls normally or could occur by a blow on the muzzle or front of the gun. See the **WARNING** at the beginning of this Section.

SECTION 4**FUNCTION**

The Colt Gold Cup National Match MK IV/Series 70 is ready to fire when a loaded magazine is inserted into the pistol, the slide pulled back to cock hammer, and released to travel forward and feed a round from the magazine into the chamber. Final forward slide movement locks barrel and slide together and deactivates the disconnecter. When pistol stock is grasped, the grip safety is released so that trigger may now be squeezed. When the trigger is squeezed, the sear disengages from the hammer which pivots forward under the force of the mainspring to strike the rear of the firing pin. The firing pin is driven forward to strike primer in base of cartridge. The energy imparted to the primer ignites it; the primer in turn ignites the main powder charge which, in burning, rapidly generates extremely high gas pressure to drive the bullet down the barrel. Rifling grooves in the barrel impart stabilizing spin to the bullet so that it will follow a more accurate path to the target.

Force rearward on the slide breech face starts slide and barrel on their rearward travel; however, the slide unlocks from the barrel only after gas pressure is reduced to a safe level. Rearward slide travel depresses the disconnecter, carries spent cartridge rearward on extractor until base of cartridge is struck by ejector to propel it through ejection port. Slide movement continues under momentum to fully cock the hammer. If last round has been fired, the magazine follower will activate the slide stop to hold slide to rear, but if a round remains in magazine, the slide will move forward to feed and lock the next round in the chamber. To fire the next round, trigger must be released and squeezed again.

LOADING

To Load a Magazine:

- CAUTION: READ SAFETY INSTRUCTIONS** (Section 3).
- Use only ammunition recommended inside front cover of this instruction manual as suitable for your pistol.
- With open end uppermost, grasp magazine (appropriate to caliber) in one hand as illustrated in Figure 3. Place a round on magazine follower with base just forward of retaining lips. Press round down and back until base of round touches rear flat edge of magazine. Place next round on top of previous round and press down and back. Repeat until magazine is fully loaded.

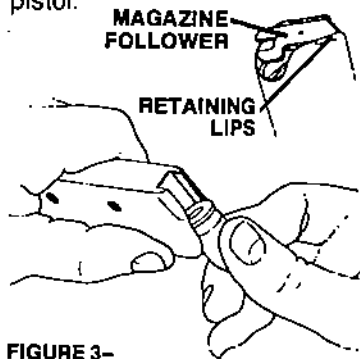


FIGURE 3—
LOADING A MAGAZINE

CAUTION: TO MINIMIZE RISK OF UNINTENTIONAL DISCHARGE, LOAD LIVE AMMUNITION INTO PISTOL ONLY WHEN YOU ARE ABOUT TO SHOOT.

To Load the Pistol:

- CAUTION: READ SAFETY INSTRUCTIONS** (Section 3)—**KEEP PISTOL POINTING IN SAFE DIRECTION AND DO NOT TOUCH THE TRIGGER.**

2. Remove empty magazine from pistol (after placing your hand under magazine to prevent it from falling) by pressing magazine catch (located on left of pistol behind trigger guard) to release and eject magazine from magazine well. (See Figure 4).

3. Hold pistol by stock with one hand and, keeping other hand clear of ejection port, grasp serrated finger grips on both sides of slide. Pull slide back slightly and LOOK IN CHAMBER TO ENSURE IT IS EMPTY; allow slide to return forward. (If slide was fully to rear, release cocked hammer by squeezing trigger after ensuring chamber is empty.)

4. Insert loaded magazine into magazine well with bullets pointing forward. Push magazine fully, "home" until magazine catch is heard to "click" locking it in place.

IMPORTANT: Do not strike base of magazine to drive it home—just push it firmly into pistol. Otherwise, you could damage magazine and injure your hand.

Note: The safest way to carry your pistol is with an empty chamber and empty magazine. However, if you wish to carry the pistol with a loaded magazine installed, (i.e., its present condition in the loading

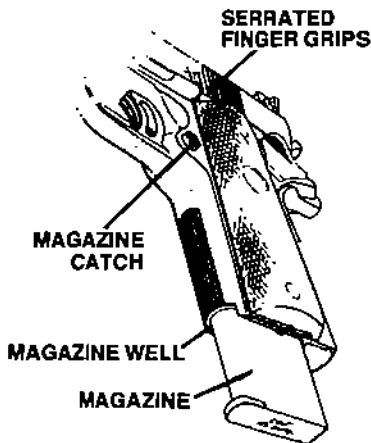


FIGURE 4—MAGAZINE PARTIALLY INSERTED

sequence) keep the chamber empty, slide forward, and hammer down.

WARNING: WHEN A ROUND IS IN THE CHAMBER, THIS PISTOL MAY DISCHARGE ACCIDENTALLY IF IT IS DROPPED OR RECEIVES A BLOW. (THIS CAN OCCUR REGARDLESS OF THE POSITION OF THE HAMMER OR ANY OF THE VARIOUS SAFETY DEVICES). DO NOT PUT A ROUND IN THE CHAMBER UNTIL THE PISTOL IS IN YOUR HAND AND YOU ARE READY TO SHOOT, AND CLEAR THE PISTOL IMMEDIATELY AFTER SHOOTING.

5. When you are ready to shoot, grip the slide as described in step 3 and pull it fully to rear to cock hammer. Release slide to feed round from magazine into chamber. THE PISTOL IS NOW LOADED AND READY TO FIRE.

6. Apply Slide Lock Safety to hold slide forward and prevent hammer falling forward if trigger is moved.

CAUTION: NEVER LEAVE PISTOL COCKED READY TO FIRE WITHOUT SLIDE LOCK SAFETY APPLIED, AS THIS IS THE FIRE CONDITION AND IS EXTREMELY DANGEROUS; PISTOL COULD EASILY BE ACCIDENTALLY DISCHARGED, CAUSING INJURY, DEATH, OR DAMAGE TO PROPERTY.

UNLOADING

CAUTION: ALWAYS UNLOAD YOUR PISTOL IMMEDIATELY AFTER USE AND PRIOR TO CLEANING

AND STORAGE TO MINIMIZE THE RISK OF ACCIDENTAL DISCHARGE.

To Unload:

1. Be sure you are familiar with Safety Instructions in Section 3. **KEEP PISTOL POINTING IN A SAFE DIRECTION, DO NOT TOUCH TRIGGER AND ALWAYS KEEP HANDS AWAY FROM MUZZLE AND EJECTION PORT.**

2. Place hand under magazine to prevent it falling and press magazine catch to release and eject magazine.

Note: If slide is fully rearward, steps 3 and 4 do not apply.

3. With thumb of right hand, press Slide Lock Safety down out of engagement with slide.

4. Using serrated finger grips pull slide sharply rearward to extract and eject a round from the chamber. (If magazine is empty after firing, the slide would already be held to the rear.)

5. **CAUTION: LOOK IN THE CHAMBER TO ENSURE IT IS EMPTY AND SEE THAT MAGAZINE HAS BEEN REMOVED.**

6. Allow slide to return forward on empty chamber and squeeze trigger to allow hammer to fall forward. (If slide is held to rear by the slide stop, pull slide back slightly, then release it.)

7. Remove remaining live rounds by sliding them forward out of the magazine.

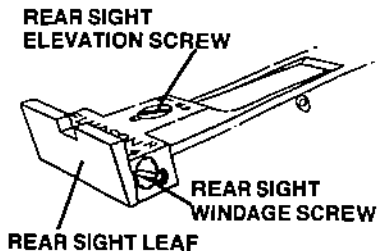
8. Collect live ammunition for safe storage and spent cartridge cases for disposal.

FIRING

Before firing your Colt Gold Cup National Match pistol, practice your stance, aim, rhythm and breathing for steady aim, with your pistol UNLOADED.

Practice firing on a range before going hunting or using your pistol for any other type of shooting.

This pistol is equipped with the Colt-Elliason rear sight (See Figure 5). Each part of the sight is machined to extremely close tolerances to assure maximum accuracy and to eliminate adjustment error. Directional arrows are stamped into the sight beside the adjustment screws. One click of the windage screw to the right (clockwise) moves the point of impact $\frac{1}{2}$ inch to the right at 50 yards. One click of the elevation screw to the left (counter-clockwise) moves the point of impact $\frac{3}{8}$ inch up at 50 yards. Adjustments for other than windage and elevation should not be made by inexperienced shooters.



**FIGURE 5—
COLT-ELLIASON REAR SIGHT**

Another unique feature of this pistol is the trigger stop (see Figure 6), which slows and stops your finger travel smoothly without disturbing your aim when squeezing the trigger. It is correctly adjusted before it leaves the factory and should rarely need further adjustment; nevertheless, instructions are included in Section 5.

CAUTIONS:

1. ALWAYS WEAR AND ENCOURAGE OTHERS NEAR YOU TO WEAR EAR PROTECTION WHEN SHOOTING, ESPECIALLY ON A RANGE. WITHOUT EAR PROTECTION, THE NOISE FROM YOUR PISTOL, AND OTHER GUNS CLOSE TO YOU, COULD LEAVE A "RINGING" IN THE EARS FOR SOME TIME AFTER FIRING, WHILE THE CUMULATIVE LONG TERM EFFECT COULD BE PERMANENT HEARING LOSS.

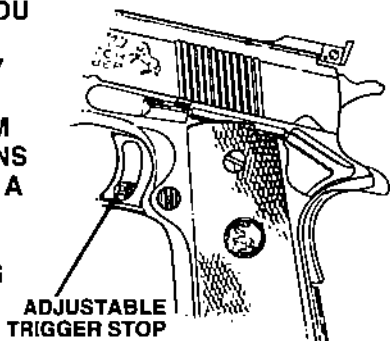


FIGURE 6-TRIGGER STOP

2. ALWAYS WEAR PROTECTIVE SHOOTING GLASSES FOR EYE PROTECTION.

3. IF AT ANY TIME THE TRIGGER STOP PREVENTS PISTOL FIRING, THE SEAR COULD BE LEFT IN POSITION TO FIRE IF PISTOL SHOULD BE JARRED OR DROPPED. KEEP PISTOL POINTING TOWARDS TARGET. RELEASE TRIGGER AND UNLOAD IMMEDIATELY AS PREVIOUSLY DESCRIBED. ADJUST TRIGGER STOP AS DESCRIBED IN SECTION 5.

To Fire:

1. Be sure you are familiar with "Safety Instructions" in Section 3. **KEEP PISTOL POINTING IN SAFE DIRECTION.**

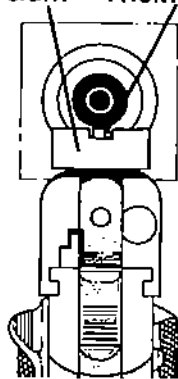
2. Load pistol as previously described.

3. Grasp pistol by stock and, with index finger resting along the outside of trigger guard, take aim. Aim by aligning target with front and rear sights. (See Figure 7).

4. Release Slide Lock Safety by pressing it down out of engagement with slide lock notch.

5. Keeping steady aim, place index finger on trigger and squeeze gently until hammer falls. Don't jerk the trigger as you will disturb your aim and spoil your accuracy. To fire the second and subsequent rounds, all that is necessary is to release the trigger and squeeze it again after every shot until you have completed firing.

6. **THIS IS A SEMI-AUTOMATIC PISTOL AND IS IMMEDIATELY LOADED AND READY TO FIRE AGAIN AFTER EACH SHOT UNTIL MAGAZINE IS EMPTY.**

REAR SIGHT FRONT SIGHT**FIGURE 7-AIMING**

7. Release trigger, remove index finger from trigger, and apply Slide Lock Safety by pushing it up into the slide lock notch. However, if you have fired the last round from magazine the slide will stay to the rear so that Slide Lock Safety cannot be applied.

CAUTION: IF PISTOL FAILS TO FIRE, HOLD IT, KEEPING IT POINTED TOWARDS THE TARGET OR SAFE OPEN AREA AND WAIT 30 SECONDS. IF A HANGFIRE (slow ignition) HAS OCCURRED, ROUND WILL FIRE WITHIN 30 SECONDS. IF ROUND DOES NOT FIRE, REMOVE MAGAZINE, EJECT ROUND AND EXAMINE PRIMER. IF FIRING PIN INDENT ON PRIMER IS LIGHT, OFF CENTER, OR NON-EXISTENT, HAVE PISTOL EXAMINED BY A COMPETENT GUNSMITH. IF FIRING PIN INDENT ON PRIMER APPEARS NORMAL (in comparison with similar previously fired rounds) ASSUME FAULTY AMMUNITION; SEGREGATE MISFIRED ROUND FROM OTHER LIVE AMMUNITION AND EMPTY CASES; RELOAD AND CARRY ON FIRING.

Note: Dispose of misfired rounds in accordance with the ammunition manufacturer's instructions.

8. **CAUTION:** KEEP PISTOL POINTING IN A SAFE DIRECTION. Unload as previously described.

IMPORTANT: If you cock your pistol but do not fire it, apply Slide Lock Safety until ready to fire. If you lose the opportunity to fire, unload your pistol as previously described. Remember, if a round is in the chamber there is a risk of accidental discharge.

CAUTION: NEVER LEAVE PISTOL COCKED READY TO FIRE AS THE FIRE CONDITION IS EXTREMELY DANGEROUS, AND PISTOL COULD EASILY BE ACCIDENTALLY DISCHARGED CAUSING INJURY, DEATH, OR DAMAGE TO PROPERTY.

SECTION 5

MAINTENANCE

Like any other precision mechanism, your pistol will function better, last longer, and remain safer when it is properly maintained. Follow the advice in this Section to keep your pistol in peak competitive condition.

CAUTIONS:

- 1. ENSURE THAT MAGAZINE IS REMOVED AND THE PISTOL IS NOT LOADED BEFORE ADJUSTING THE TRIGGER STOP OR STRIPPING AND CLEANING, SO THAT THE PISTOL WILL NOT FIRE.**
- 2. WEAR SAFETY GLASSES IN CASE YOU LOSE CONTROL OF SOME SPRING LOADED COMPONENT WHICH COULD INJURE YOUR EYES.**

ADJUSTING THE TRIGGER STOP

Note: The trigger stop was correctly adjusted when it left the factory. Adjustment should rarely be necessary.

- 1. When adjustment is necessary, ENSURE PISTOL IS**

NOT LOADED and be sure you are familiar with the Safety Instructions in Section 3.

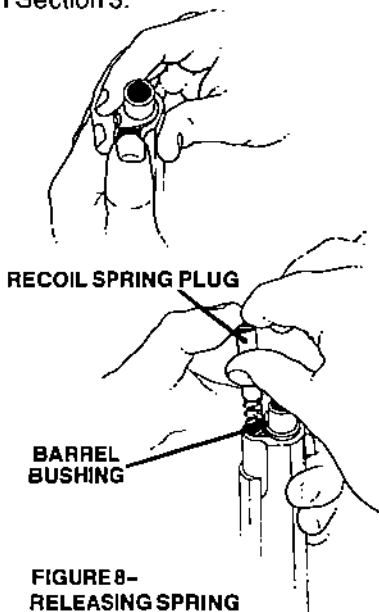
2. Remove magazine, fully cock the pistol and allow slide to return forward. Squeeze trigger—if hammer falls proceed with step 3; if hammer fails to fall proceed with step 4.
3. Using the trigger stop adjustment wrench (provided), rotate the trigger stop $\frac{1}{8}$ turn counterclockwise when viewed from the rear of the pistol, and repeat step 2 above until hammer fails to fall.
4. With hammer fully cocked and normal finger pressure on trigger, very slowly rotate trigger stop clockwise until hammer falls.
5. Cock pistol and squeeze trigger to check that hammer falls again, then rotate trigger stop a further $\frac{1}{2}$ turn clockwise and remove trigger stop adjustment wrench.
6. Dry fire pistol about 25 times to ensure hammer falls every time the trigger is squeezed. (Dry firing is cocking and snapping hammer by squeezing the trigger when pistol is NOT LOADED.)

CAUTION: IF STOP IS ADJUSTED TOO CLOSELY, TRIGGER PULL WILL BE GREATLY INCREASED, AND THE PISTOL MAY FAIL TO FIRE WHEN NORMAL TRIGGER PULL IS APPLIED. IN THIS CONDITION THE SEAR COULD BE PERCHED IN POSITION TO FIRE IF PISTOL IS JARRED OR DROPPED. THIS MUST BE CORRECTED BY A FURTHER $\frac{1}{2}$ TURN CLOCKWISE ADJUSTMENT OF THE TRIGGER STOP.

Note: Force is unnecessary and should never be used to strip or assemble your pistol.

STRIPPING FOR CLEANING

1. ENSURE PISTOL IS NOT LOADED and be sure you are familiar with the Safety Instructions in Section 3.
2. With muzzle pointing upward, rest pistol on heel of butt and "grip safety" on a table or bench.
3. Push slide back about one quarter inch, press down on recoil spring plug (located just below muzzle) and at same time rotate barrel bushing clockwise about $\frac{1}{4}$ turn, using barrel bushing wrench if necessary; this will free plug and recoil spring. Keep pressure on plug to prevent it being ejected by the spring, then allow plug and spring to gradually extend out of the slide. (See Figure 8)
4. Rotate plug counterclockwise and remove from spring.
5. Cock hammer by pulling back on hammer spur.

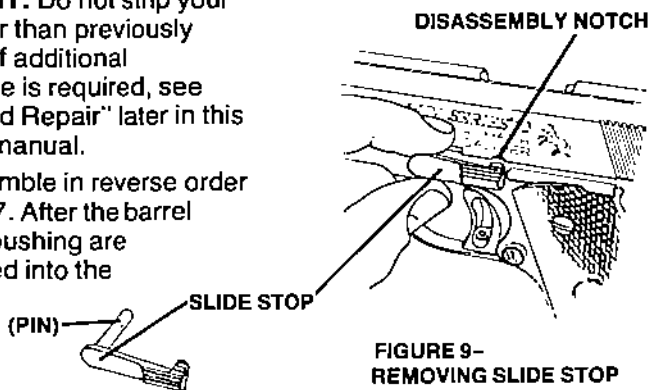


**FIGURE 8—
RELEASING SPRING
TENSION**

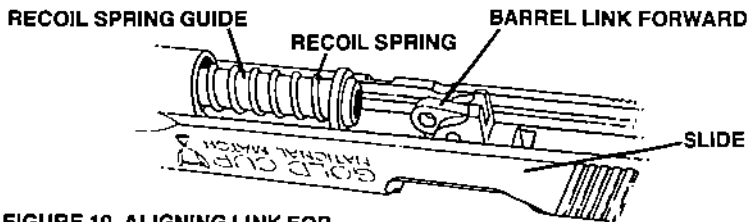
6. Pull slide to rear until lug on slide stop is opposite disassembly notch (See Figure 9) and push rounded end of pin of slide stop (on right of receiver) inward and through receiver to disengage slide stop from slide.
7. Lift out slide stop (See Figure 9).
8. Pull receiver to rear and off the slide.
9. Lift recoil spring and guide and pull them rearward out of slide. (See Figure 10).
10. Turn barrel bushing counterclockwise, push barrel and barrel bushing forward until bushing is clear of slide, then remove bushing from barrel.
11. Push link forward and remove barrel from front of slide.

IMPORTANT: Do not strip your pistol further than previously described. If additional maintenance is required, see "Service and Repair" later in this instruction manual.

Note: Assemble in reverse order 11 through 7. After the barrel and barrel bushing are reassembled into the

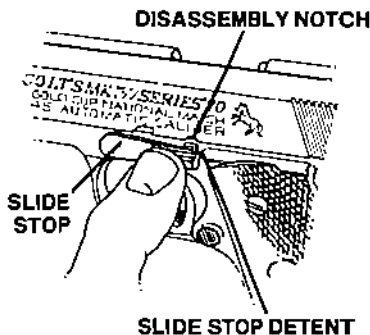


**FIGURE 9—
REMOVING SLIDE STOP**



**FIGURE 10—ALIGNING LINK FOR
REMOVAL OF BARREL**

slide, run the slide onto the receiver until the link is exposed through the slide stop hole. Insert the slide stop into the receiver and through the barrel link, taking care not to scratch the pistol. Snap the slide stop into place by pressing up and in against the slide stop detent when the disassembly notch is properly aligned (See Figure 11). Then continue assembling in reverse order 5 through 1.



WHEN TO CLEAN

You should clean your pistol as soon after firing as possible so that the job will be easier and there will be less opportunity for corrosion to start. When your pistol has not been fired, clean it periodically; we suggest once or twice a year in a temperate climate, or as often as once a month in a tropical climate. If you carry a loaded pistol,

UNLOAD it and clean it at least once a month. If you get your pistol wet, clean it as soon as possible.

HOW TO CLEAN

The following cleaning procedure may be used both periodically and after firing; however, those items marked "*" are unnecessary for periodic cleaning.

Materials: Cleaning rod, cotton flannel patches (cut to fit snugly into the bore), a small toothbrush, good quality light gun oil, *gun cleaning solution, and *a brass wire bristle bore cleaning brush.

Note: In freezing conditions (below 32°F or 0°C) avoid the use of oil for lubrication; instead, apply a dry lubricant sparingly.

Procedure:

1. **CAUTION: ENSURE THAT THE PISTOL IS NOT LOADED.**

2. Strip for cleaning as previously described.

Note: Avoid contact between cleaning rod and muzzle as resultant wear will reduce accuracy.

3. Attach cotton flannel patch to end of cleaning rod, insert it in breech and pass rod and patch down through barrel. Repeat, changing patches until last patch comes out clean.

4. Visually inspect barrel; if it is clean, proceed directly to step 7, but if it remains dirty, continue with step 5.

5. *(**Note:** This item should be applicable only after firing.) Attach brass wire bristle brush to cleaning rod and dip brush in gun cleaning

solution. Thoroughly scrub out barrel, passing the brush all the way through before reversing the movement. If you try to change direction with brush in barrel, the brush will stick.

6. Repeat steps 3 and 4 above.

7. Clean rear face of barrel and face of slide, using a small toothbrush.

8. Lightly moisten a flannel patch with gun oil and pass it once through barrel, leaving a thin film of oil on the inside surface. Leave this film of oil on the inside surface if pistol is to be stored. If it is not to be stored, or if it is being removed from storage for use, pass a dry patch through barrel to remove as much oil as possible.

9. Check that flannel or brush bristles have not become lodged in any part of pistol, then wipe all external surfaces with a flannel patch moistened with gun oil. (See note on cold weather lubrication.)

10. Reassemble pistol as previously described.

11. Again wipe external surfaces with oil moistened patch to remove any finger prints. (Finger moisture, if left, could start a corrosion process.) (See note on cold weather lubrication.)

12. Remove any gun cleaning solution and oil from the stock.

CLEANING THE MAGAZINE

It is advisable to clean the magazine(s) whenever the pistol is cleaned. To do so, remove the magazine follower and spring by depressing them with a piece of wood (pen or pencil) about two inches into the magazine and inserting a thin rod (small screwdriver) through lower of the front two holes in the magazine body. This will hold the spring under tension. Invert the magazine and lightly tap it so that the follower

falls away from the spring; lift out the follower from the magazine body. Push down on spring to take up the spring tension, remove the thin rod and allow the spring to extend, then remove it completely. Clean all three components, taking care to remove carbon deposits from the lips of the magazine and the magazine follower. Wipe components with lightly oiled cloth and reassemble. Place spring correctly oriented, i.e., with loop uppermost pointing forward, into the magazine body, compress spring and insert thin rod as for dismantling. Place follower in magazine as illustrated, (See Figure 10) take up spring tension, remove thin rod and allow to reassert its influence on the follower.

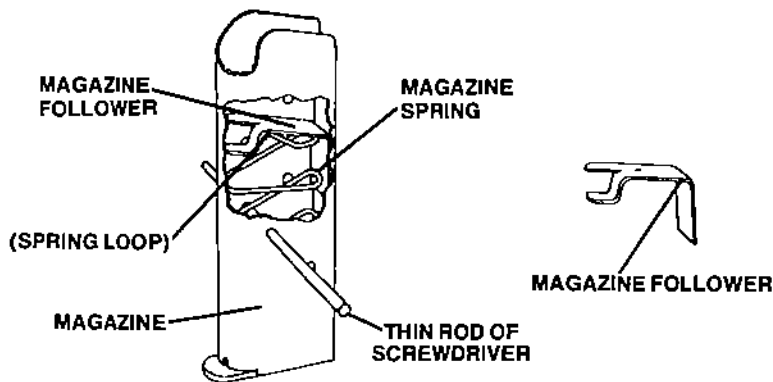


FIGURE 12-MAGAZINE ASSEMBLY

STORAGE

CAUTION: ALWAYS UNLOAD YOUR PISTOL FOR STORAGE AND STORE AMMUNITION SEPARATELY.

Store your pistol and ammunition securely locked and in separate locations out of reach and sight of children. (Children are naturally curious and do not always believe the real danger of guns.)

Note: Do not store your pistol in an air-tight container, and do not seal or attempt to seal the barrel to exclude dust, as the internal steel surface is more likely to corrode.

SERVICING AND REPAIR

Should your pistol require adjustment, or repair, make sure it is NOT LOADED and take it, or send it to the nearest COLT AUTHORIZED REPAIR SERVICE STATION (a list of addresses is provided separately). For spare parts, seek advice from the Dealer who should have up to date information on how best to obtain genuine Colt parts. An illustration and list of part names are included in the next section of this instruction manual to help you identify the part you need, but it is important to note that all parts are not available for sale. Those parts which are available should be installed at a Colt Authorized Repair Service Station. When ordering parts, please give part name as given on the Parts List. Also give the caliber, model name, serial number and metal finish of your pistol, i.e., whether blue or nickel.

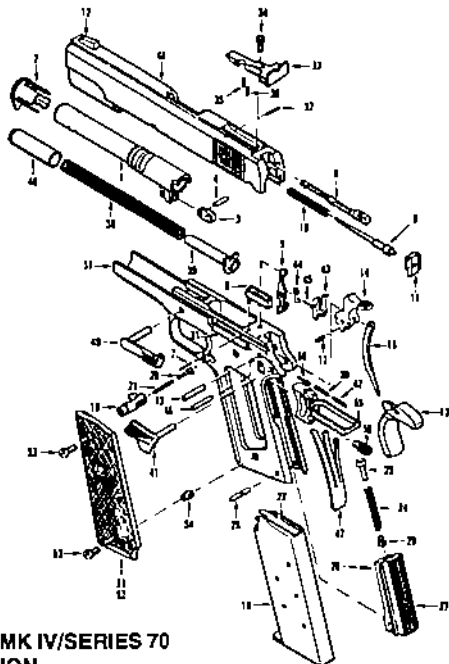
IMPORTANT: If you make unauthorized adjustments or use unauthorized parts, Colt will not assume responsibility for correct functioning of this pistol.

Note: Various Federal and State laws and local ordinances govern the transfer and transportation of firearms, so take the advice of the Dealer in your state on how to send or transport your firearm to a Colt Authorized Repair Service Station. Before shipping your pistol, here are some important points to remember.

- 1. CAUTION: MAKE SURE THAT THE MAGAZINE AND PISTOL ARE NOT LOADED.**
2. Write a letter explaining the problem and your requirements in as much detail as possible. Include the model name and serial number of your pistol together with your return address, then enclose it with the pistol in a well padded package.
3. Do not send presentation boxes, accessories or ammunition.
4. A list of Colt Authorized Repair Service Stations is provided with your pistol.
5. Do not indicate the contents, or include "COLT" in the address on the package so that an inquisitive thief is not attracted to it by such information.
6. Insure the package contents against loss or theft.

SECTION 6**PARTS ILLUSTRATION AND LIST**

This section is provided so that you may identify names of parts for your own interest. However, for adjustment, repair, or spare parts information, see Section 5, "Servicing and Repair".



**FIGURE 13—
COLT GOLD CUP
NATIONAL MATCH MK IV/SERIES 70
PARTS ILLUSTRATION**

DESCRIPTION

1. Barrel
2. Barrel Bushing
3. Barrel Link
4. Barrel Link Pin
5. Disconnecter
6. Ejector
7. Ejector Pin
8. Extractor
9. Firing Pin
10. Firing Pin Spring
11. Firing Pin Stop
12. Front Sight
13. Grip Safety
14. Hammer
15. Hammer Pin
16. Hammer Strut
17. Hammer Strut Pin
18. Magazine Assembly
19. Magazine Catch
20. Magazine Catch Lock
21. Magazine Catch Spring
22. Magazine Follower
23. Magazine Spring
(not shown)
24. Main Spring
25. Main Spring Cap
26. Main Spring Cap Pin
27. Main Spring Housing (flat)
28. Main Spring Housing Pin
29. Main Spring Housing Pin Retainer
30. Plunger Spring
31. Plunger Tube
32. Rear Sight Leaf Pin
33. Rear Sight Leaf
34. Rear Sight Elevation Screw
- 35-36. Rear Sight Elevation Spring (2)
37. Receiver
38. Recoil Spring
39. Recoil Spring Guide
40. Recoil Spring Plug
41. Safety Lock
42. Safety Lock Plunger
43. Sear
44. Depressor
45. Depressor Spring
46. Sear Pin
47. Sear Spring
48. Slide

- | | |
|---------------------------|-----------------------------|
| 49. Slide Stop | 54. Stock Screw Bushing (4) |
| 50. Slide Stop Plunger | 55. Trigger Assembly |
| 51-52. Stock Set (Walnut) | 56. Trigger Stop |
| 53. Stock Screw (4) | |

SECTION 7

THE CUSTOMIZED GUN

Our Colt Custom Shop offers a wide range of special services such as engraving, inlaying and special serializing to the same high standard of quality long synonymous with the name "COLT". Sometimes modifications, which meet our customer's special requirements, necessitate deviations from standard design and manufacturing tolerances which result in functional differences from a standard gun. Consequently, this instruction manual does not apply to a customized gun unless its applicability has been confirmed by the Colt Custom Shop. For further information, write to Colt Firearms, Custom Gun Shop, P.O. Box 1868, Hartford, Connecticut 06102.

WARRANTY STATEMENT

Based on Magnuson-Moss Warranty Act, Colt offers no express warranty on its product line. However, Colt recognizes its obligations concerning implied warranty. Colt also stands behind its product as it has historically, and will continue to provide service to its product line as it has over the years. Colt products will be serviced for a period of one year from date of retail purchase, for defects in materials or workmanship, at no charge to the purchaser. Be sure to retain your sales slip as proof of purchase date when making a claim.

FIREARM RECORD

Colt Model _____

Serial No. _____

Caliber _____

Purchased
from _____Date
Purchased _____Purchase
Price _____

This instruction manual should always accompany this firearm and be transferred with it upon change of ownership.

If your instruction manual becomes lost or is destroyed, obtain a replacement by writing to COLT FIREARMS, P.O. BOX 1868, HARTFORD, CONNECTICUT 06102. Make a note of the address. When requesting a manual, include the information which is on the left side of your firearm together with its serial number, or quote the Part No. as shown on the back cover of this manual.

SIX BASIC SAFETY RULES

- 1. NEVER PLACE A ROUND IN THE CHAMBER OF THIS PISTOL UNTIL YOU ARE READY TO SHOOT.**
- 2. ALWAYS POINT A GUN IN A SAFE DIRECTION.**
- 3. KEEP SAFETY ENGAGED UNTIL READY TO FIRE.**
- 4. UNLOAD IMMEDIATELY AFTER USE.**
- 5. ALWAYS ENSURE A GUN IS NOT LOADED BEFORE CLEANING OR DISMANTLING.**
- 6. PRACTICE HANDLING AN EMPTY GUN BEFORE ATTEMPTING TO FIRE.**

Note

If there is anything you do not understand in this manual, seek advice from someone qualified in the safe handling of firearms.

Nota

Para cualquier aclaración de este manual, consulte con alguna persona perita en el manejo de armas de fuego.