

Shooters Arms Mfg. (SAM), Inc.

Safety & Instructional Manual



Distributed by:



**CENTURY
INTERNATIONAL
ARMS**

236 Bryce Blvd.
Georgia, VT 05454
Toll Free: 1-800-527-1252
Email: Support@Centuryarms.com

SAFETY INSTRUCTIONS AND WARNINGS

Shooters Arms Manufacturing (SAM), Inc. has designed the most reliable firearms in Asia-Pacific. SAM firearms incorporate many safety features; however, safe gun handling is your personal responsibility.

Firearms are dangerous. Firearms can cause serious injury and death. Safety must be the prime consideration of anyone who handles firearms. Always treat a firearm as though it were loaded. Always keep the muzzle pointed in a safe direction.

In owning a firearm, you must undertake full-time responsibility for your firearms safety and security. You must protect yourself and all others against injury from the firearm. In particular, you must secure firearms from children.

Do not allow any alteration or replacement of parts in your SAM firearm unless performed by a qualified gunsmith using genuine SAM parts. If you do otherwise, improper functioning of your firearm and serious injury may result.

Any SAM firearm is a precision instrument designed to function reliably with proper care and knowledgeable use. You must understand the safe operation and use of your Sam firearm. Read and follow these instructions for the safe operation of your firearm.

Many safety features are incorporated in your firearm. For your safety and the safety of others, do not rely on mechanical features alone. Only your safe gun handling habits will ensure the safe use of your firearm. This is your responsibility. Accidents do not just happen. Accidents are the result of violating the rules of safe gun handling and common sense.

Insure the safe use of firearms. Follow these essential safety instructions and warnings.

BASIC RULES

- NEVER point a firearm at anyone or anything you do not intend to shoot.
- Before handling any firearm, understand its operation.
- ALWAYS have your firearm unloaded when not in use.
- Treat every firearm as if it were loaded.
- Never pass your firearm to another person until the cylinder or action is open and you visually check that it is unloaded.
- Place your finger inside the trigger guard only when you are ready to fire.
- If you must carry a loaded firearm, ALWAYS carry it with the muzzle pointing in a safe direction. Never carry or store firearms with the hammer in the cocked position.
- DO NOT allow a firearm to be used by individuals who do not understand its safe operation and the rules of safe gun handling.
- BE SURE all accessories, such as holsters and grips are compatible with the firearm and that the accessories do not interfere with safe operation.
- When transporting your firearm, be sure your firearm is unloaded and that the cylinder or action is open.
- Store your firearm unloaded. Safe and secure storage is one of your most important responsibilities.
- Store your unloaded firearm and ammunition separately and in places inaccessible to children and unauthorized persons.
- Be sure of your target and what is beyond your target.

PREPARATION FOR FIR- ING

- Wear safety glasses and ear protection whether indoors or out.
- Select a place to shoot, which has a safe backstop, is free from obstructions and water surfaces, which may cause ricochets.
- Always be aware of other people so that persons cannot accidentally walk into the line of fire.
- Position the shooter and all others so that they are not within an area where they may be struck by particle-splitting from a revolver or by ejected cases from semi-automatic firearms.
- Keep your fingers and other parts of your body away from the muzzle and away from the gap between the revolver and cylinder.
- When firing on a target range, be alert and follow the range officer's commands.
- Be alert at all times. Never shoot if you are tired, cold or impaired in any way.
- Never cross obstacles such as fences or streams with a loaded firearm. Think before shooting.
- Before anyone is allowed forward of the firing position, be sure that all cylinders and actions of the firearms are open, that chambers are clear of cartridges, magazines are removed and that firearms are pointing in a safe direction.
- Never use alcoholic beverages or other drugs before or during shooting.
- If you are carrying a loaded firearm in the field, keep the muzzle pointed in a safe direction.

If a bullet is in the bore, do not attempt to shoot it out by using another cartridge or by blowing it out with a blank or a cartridge from which the bullet has been removed. This can generate excessive pressure, damage the firearm and cause serious personal injury.

FIREARMS HANDLING

REMOVING THE MAGAZINE

Remove the magazine by pressing the magazine catch.

RETRACTING THE SLIDE

Draw the slide back and engage it by pushing up the slide catch lever.

LOADING THE MAGAZINE

Press down on the magazine follower with the cartridge case rim. Push the cartridge to the rear and under the magazine lips. Continue until the magazine holds the desired numbers of cartridges.

LOADING THE PISTOL

Insert a loaded magazine and make sure it has engaged the magazine catch. Push down the slide catch lever with your thumb, or draw back the slide as far as it will go and allow it to snap forward into battery. This cocks the hammer and chambers a round. Apply safety. The pistol is now loaded and ready to fire. (Keep your finger off the trigger while you do this).

RELOADING DURING SHOOTING

When the magazine is empty, the slide catch lever, hold the slide open. Press the magazine catch to remove the empty magazine and insert a loaded one. Push down the slide catch lever with the thumb of the shooting hand or draw back the slide and allow it to snap forward. The pistol is again loaded and ready to fire.

UNLOADING THE PISTOL

Pointing the pistol in a safe direction, keep your finger off the trigger and remove the magazine. Pull back the slide and lock with the slide catch lever. Make sure the last round in the chamber has been extracted and ejected. Visually and physically check the chamber and the magazine well to make sure the pistol has been unloaded. Now let the slide go forward on an empty chamber. The pistol is now unloaded.

TROUBLESHOOTING

Firearms work reliably if properly maintained. If there is a malfunction during firing, here's what to do:

1. Keep the pistol pointed in a safe direction with your finger off the trigger.
2. Remove and secure the magazine.
3. Move the slide rearward and forward to clear any cartridge case in or near the chamber.
4. If you suspect that a bullet is lodged in the bore, field strip your pistol and check to see if the barrel is blocked. If there is a bullet lodged in the bore, take the pistol to a qualified gunsmith.

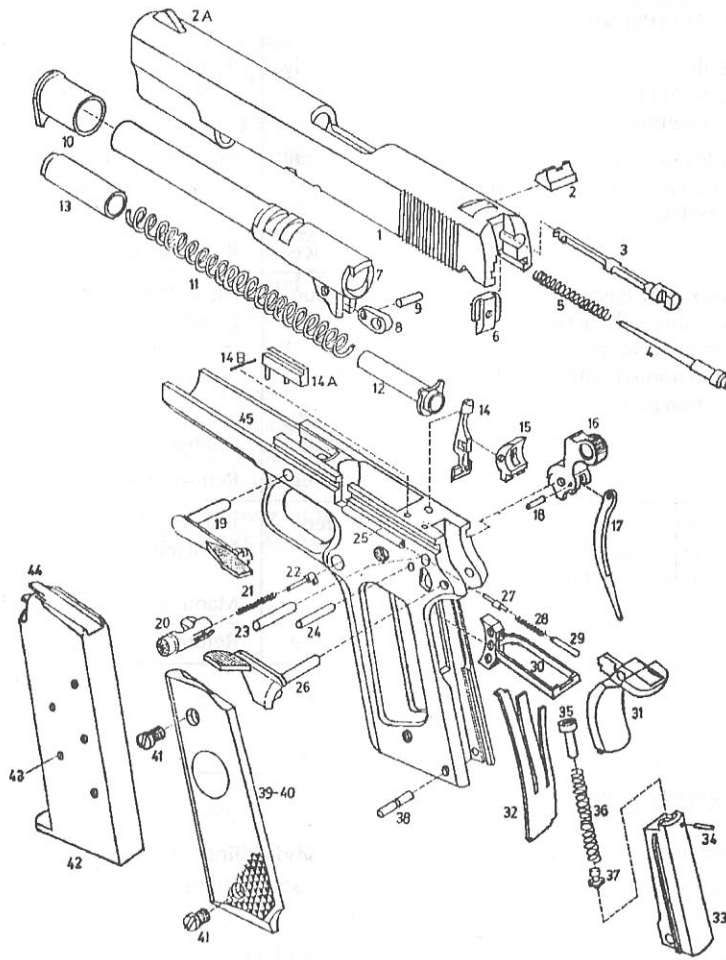
Follow these procedures if:

- You notice that a cartridge is difficult to chamber.
- A cartridge does not go off.
- The mechanism fails to extract a fired cartridge case.
- You discover unburned grains of propellant powder spilled in the mechanism.
- A shot sounds or feels weak or abnormal.

TROUBLESHOOTING GUIDE

Malfunction	Cause	Correction
Feed: No round fed into the chamber	Magazine not properly inserted or magazine is deformed or dirty	Insert magazine properly or change magazine
	Slide does not close easily or completely	Clean & lubricate pistol and/or replace the ammunition
	Pistol requires service	Take the pistol to a qualified gunsmith
Extraction/Ejection: After firing the case is in the chamber or is jammed in the ejection port	Insufficient recoil due to dirt	Clean & lubricate the pistol
	Light hold or limp wrist	Solid grip, rigid hold
	Low powered ammunition	Change ammunition
	Pistol requires service	Take the pistol to a qualified gunsmith
Ignition: Hammer drops but round does not fire	Firing pin obstructed	Inspect, clean and lubricate the pistol
	Faulty ammunition	Manually cycle in round
	Pistol requires service	Take the pistol to a qualified gunsmith

All warranty repairs will be completed by Century International Arms, Inc. 236 Bryce Boulevard, Georgia, VT 05454. The company is not responsible for any misuse of the product. A request for a Return Authorization number is required by calling 1-800-527-1252.



VIEW #	PARTS DESCRIPTION	VIEW #	PARTS DESCRIPTION
1.	Slide	22.	Magazine Catch Lock
2.	Front Sight	23.	Hammer Pin
2B.	Rear Sight	24.	Sear Pin
3.	Extractor	25.	Plunger Tube
4.	Firing Pin	26.	Safety Lock
5.	Firing Pin Spring	27.	Slide Stop Plunger
6.	Firing Pin Stop	28.	Plunger Spring
7.	Barrel	29.	Safety Lock Plunger
8.	Barrel Link	30.	Trigger
9.	Barrel Link Pin	31.	Grip Safety
10.	Barrel Bushing	32.	Sear Spring
11.	Recoil Spring	33.	Main Spring Housing
12.	Recoil Spring Guide	34.	M.S.H. Cap Pin
13.	Plug	35.	Main Spring Cap
14.	Disconnecter	36.	Main Spring
14A.	Ejector	37.	M.S.H. Pin Retainer
14B.	Ejector Pin	38.	M.S.H. Pin
15.	Sear	39.	Stock - Right Hand
16.	Hammer	40.	Stock - Left Hand
17.	Hammer Strut	41.	Stock Screws (4)
18.	Hammer Strut Pin	42.	Magazine Assembly
19.	Slide Stop	43.	Magazine Spring
20.	Magazine Catch	44.	Magazine Follower
21.	Magazine Catch Spring	45.	Receiver

This schematic diagram and part description, conforms to current specifications. From time to time changes may be made, and the gun which you own may not correspond exactly with the information provided on this sheet.