

SECTION **AV**

AUDIO, VISUAL, NAVIGATION & TELEPHONE SYSTEM

CONTENTS

PRECAUTIONS	2	Noise Inspection	28	A
Precautions for Supplemental Restraint System (SRS) "AIR BAG" and "SEAT BELT PRE-TENSIONER"	2	TYPE OF NOISE AND POSSIBLE CAUSE	28	B
PREPARATION	3	Power Supply Circuit Inspection	28	C
Commercial Service Tool	3	Satellite Radio Tuner (Factory Installed) Power and Ground Supply Circuit Inspection	29	D
AUDIO	4	Satellite Radio Tuner (Factory Installed) Communication Circuit Inspection	31	E
Component Parts and Harness Connector Location	4	Satellite Radio Tuner (Factory Installed) Left Channel Audio Signal Circuit Inspection	33	F
System Description	5	Satellite Radio Tuner (Factory Installed) Right Channel Audio Signal Circuit Inspection	34	G
BASE SYSTEM	5	Steering Switch Check (Premium System)	34	H
PREMIUM SYSTEM	5	Sound Is Not Heard From Front Door Speaker or Front Tweeter (Base System)	37	I
Schematic	7	Sound Is Not Heard From Rear Door Speaker (Base System)	39	J
PREMIUM SYSTEM	7	Sound Is Not Heard From Front Door Speaker or Front Tweeter (Premium System)	41	AV
Wiring Diagram — AUDIO —	8	Sound Is Not Heard From Rear Door Speaker or Rear Door Tweeter (Premium System)	44	L
BASE SYSTEM	8	Sound Is Not Heard From Subwoofer (Premium System)	48	M
PREMIUM SYSTEM	10	Removal and Installation	49	
Terminals and Reference Value for Audio Unit (Base System)	18	AUDIO AMPLIFIER	49	
Terminals and Reference Value for Audio Unit (Premium System)	19	AUDIO UNIT	49	
Terminals and Reference Value for Audio Amplifier (Premium System)	21	FRONT DOOR SPEAKER	49	
Terminals and Reference Value for Satellite Radio Tuner	23	FRONT TWEETER	50	
Audio Unit Self-Diagnosis Function (Premium System)	25	REAR DOOR SPEAKER	50	
STARTING THE SELF-DIAGNOSIS MODE	25	REAR DOOR TWEETER (PREMIUM SYSTEM)	50	
EXITING THE SELF-DIAGNOSIS MODE	25	SATELLITE RADIO ANTENNA	51	
DIAGNOSIS FUNCTION	25	SATELLITE RADIO TUNER	51	
Trouble Diagnosis	26	STEERING WHEEL SWITCHES	51	
MALFUNCTION WITH RADIO AND CD (BASE SYSTEM)	26	SUBWOOFER (PREMIUM SYSTEM)	52	
MALFUNCTION WITH RADIO AND CD (PREMIUM SYSTEM)	26	AUDIO ANTENNA	53	
FOR RADIO ONLY	27	Location of Audio Antenna System Components	53	
FOR CD ONLY	27	Removal and Installation	53	
FOR SATELLITE RADIO TUNER (FACTORY INSTALLED) ONLY	27	AUDIO ANTENNA	53	

PRECAUTIONS

PRECAUTIONS

PF0:00001

Precautions for Supplemental Restraint System (SRS) “AIR BAG” and “SEAT BELT PRE-TENSIONER”

EKS00DKD

The Supplemental Restraint System such as “AIR BAG” and “SEAT BELT PRE-TENSIONER”, used along with a front seat belt, helps to reduce the risk or severity of injury to the driver and front passenger for certain types of collision. This system includes seat belt switch inputs and dual stage front air bag modules. The SRS system uses the seat belt switches to determine the front air bag deployment, and may only deploy one front air bag, depending on the severity of a collision and whether the front occupants are belted or unbelted. Information necessary to service the system safely is included in the SRS and SB section of this Service Manual.

WARNING:

- **To avoid rendering the SRS inoperative, which could increase the risk of personal injury or death in the event of a collision which would result in air bag inflation, all maintenance must be performed by an authorized NISSAN/INFINITI dealer.**
- **Improper maintenance, including incorrect removal and installation of the SRS, can lead to personal injury caused by unintentional activation of the system. For removal of Spiral Cable and Air Bag Module, see the SRS section.**
- **Do not use electrical test equipment on any circuit related to the SRS unless instructed to in this Service Manual. SRS wiring harnesses can be identified by yellow and/or orange harnesses or harness connectors.**

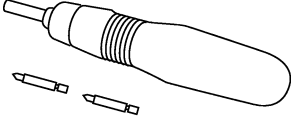
PREPARATION

PREPARATION

PPF:00002

Commercial Service Tool

EKS00DKF

Tool name	Description
<p data-bbox="162 298 272 323">Power tool</p>  <p data-bbox="852 499 922 514">PBIC0191E</p>	<p data-bbox="1015 298 1266 323">Loosening bolts and nuts</p>

A
B
C
D
E
F
G
H
I
J
L
M

AV

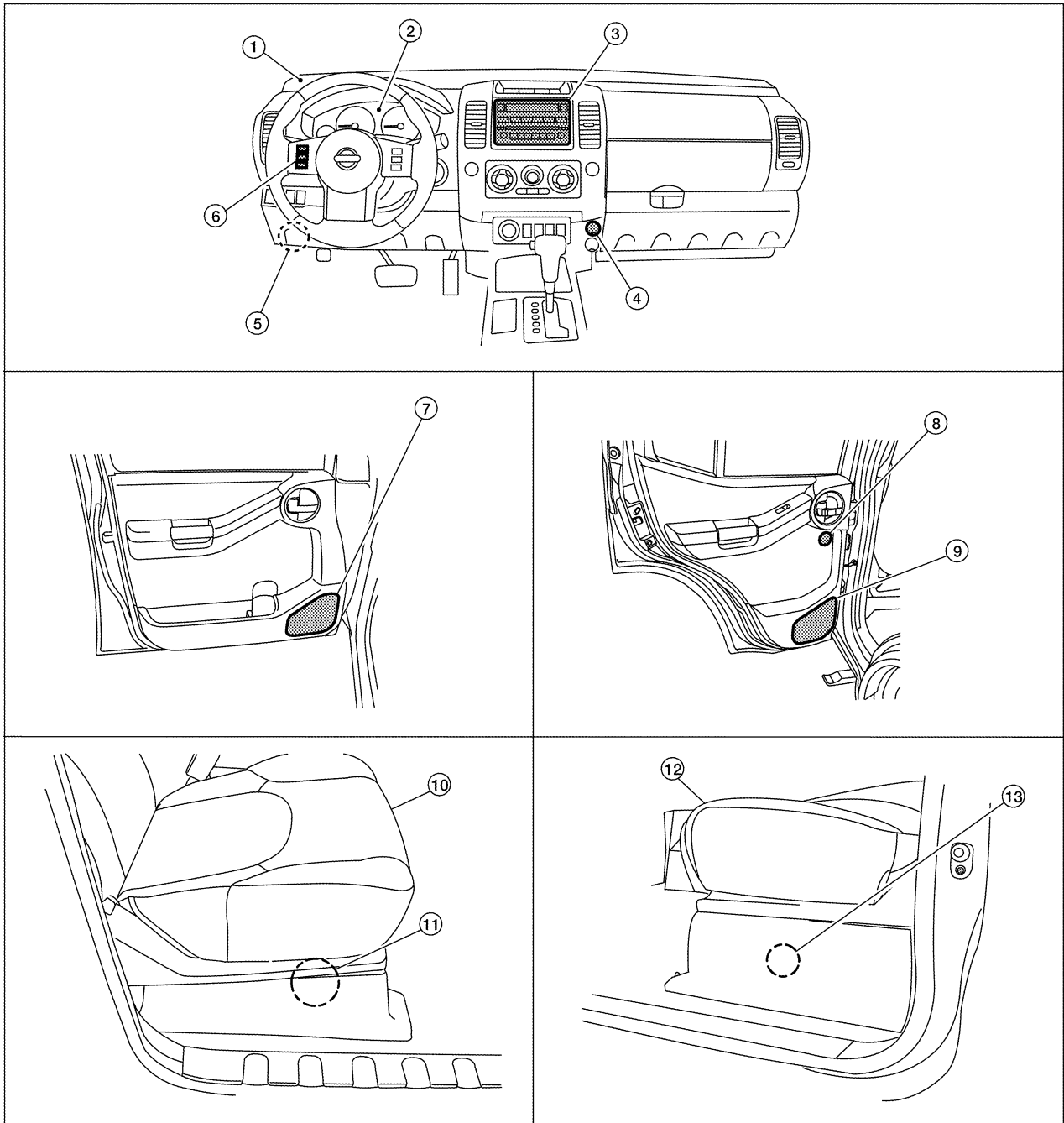
AUDIO

AUDIO

PFP:28111

Component Parts and Harness Connector Location

EKS00H07



WKIA5850E

- | | | |
|--|---|--|
| 1. Front tweeter
LH M109
RH M111 | 2. Combination meter
M24 | 3. Audio unit
M42, M43, M44, M45 |
| 4. AUX in jack (premium system)
M85 | 5. Satellite radio tuner (factory installed) or
Satellite radio tuner (pre-wiring) M41 | 6. Steering wheel audio control switches |
| 7. Front door speaker
LH D12
RH D112 | 8. Rear door tweeter (premium system)
LH D208
RH D308 | 9. Rear door speaker
LH D207
RH D307 |
| 10. Passenger seat | 11. Audio amplifier (premium system)
B158, B159 | 12. Driver seat |
| 13. Subwoofer (premium system)
B72 | | |

AUDIO

EKS00DKH

System Description BASE SYSTEM

Refer to Owner's Manual for audio system operating instructions.
Power is supplied at all times

- through 20A fuse (No. 29, located in the fuse and fusible link box)
- to audio unit terminal 6.

With the ignition switch in the ACC or ON position, power is supplied

- through 10A fuse [No. 4, located in the fuse block (J/B)]
- to audio unit terminal 10.

Ground is supplied through the case of the audio unit.
Then audio signals are supplied

- through audio unit terminals 1, 2, 3, 4, 13, 14, 15 and 16
- to terminals + and - of front door speaker LH and RH
- to terminals + and - of front tweeter LH and RH
- to terminals + and - of rear door speaker LH and RH.

PREMIUM SYSTEM

Refer to Owner's Manual for audio system operating instructions.
Power is supplied at all times

- through 15A fuse [No. 17, located in the fuse block (J/B)]
- to audio amplifier terminals 1 and 17
- through 20A fuse (No. 29, located in the fuse and fusible link box)
- to audio unit terminal 6.

With the ignition switch in the ACC or ON position, power is supplied

- through 10A fuse [No. 4, located in the fuse block (J/B)]
- to audio unit terminal 10.

Ground is supplied through the case of the audio unit.
Ground is also supplied

- to audio amplifier terminals 4 and 20
- through body grounds B117 and B132.

Then audio signals are supplied

- through audio unit terminals 1, 2, 3, 4, 13, 14, 15 and 16
- to audio amplifier terminals 5, 6, 7, 8, 21, 22, 23 and 24.

Audio signals are amplified by the audio amplifier.

The amplified audio signals are supplied

- through audio amplifier terminals 2, 3, 11, 12, 13, 14, 15, 16, 18, 19, 27, 28, 29, 30, 31 and 32
- to terminals + and - of front door speaker LH and RH
- to terminals + and - of front tweeter LH and RH
- to terminals + and - of rear door speaker LH and RH
- to terminals + and - of rear door tweeter LH and RH
- to terminals 1, 2, 3 and 4 of subwoofer.

When one of steering wheel audio control switches is pushed, the resistance in steering switch circuit changes depending on which button is pushed.

Satellite Radio Tuner (Pre-wiring)

The satellite radio tuner pre-wiring allows connection of a satellite radio tuner.
Power is supplied at all times

- through 15A fuse [No. 17, located in the fuse block (J/B)]
- to satellite radio tuner pre-wiring terminal 32.

With the ignition switch in the ACC or ON position, power is supplied

- through 10A fuse [No. 4, located in the fuse block (J/B)]
- to satellite radio tuner pre-wiring terminal 36.

A

B

C

D

E

F

G

H

I

J

AV

L

M

AUDIO

Ground is supplied through the case of the satellite radio tuner.

Then audio signals are supplied

- through satellite radio tuner pre-wiring terminals 21, 22, 23 and 24
- to audio unit terminals 41, 42, 43 and 44.

Speed Sensitive Volume System

Volume level of this system goes up and down automatically in proportion to the vehicle speed. The control level can be selected by the customer. Refer to Owner's Manual for operating instructions.

AUX In Jack

The AUX in jack allows input of audio signals to the audio unit from an auxiliary audio device. Audio signals are supplied

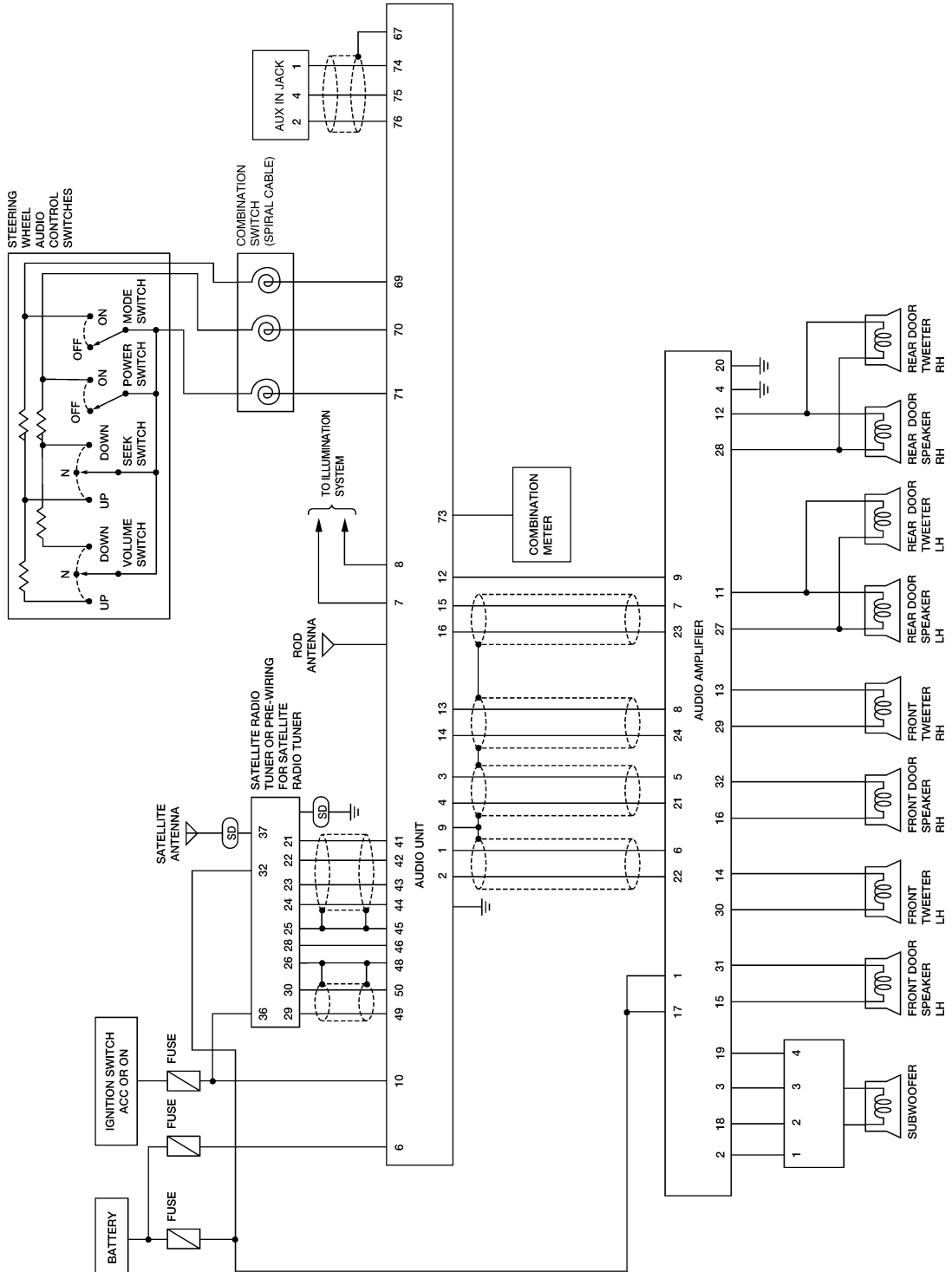
- from AUX in jack terminals 1, 2 and 4
- to audio unit terminals 74, 75 and 76.

AUDIO

EKS00DKI

Schematic PREMIUM SYSTEM

(SD) : WITH SATELLITE RADIO TUNER



A
B
C
D
E
F
G
H
I
J
L
M

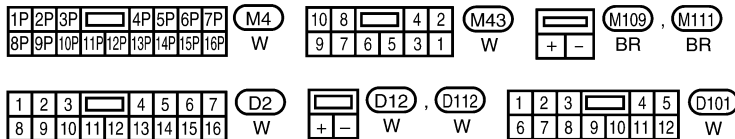
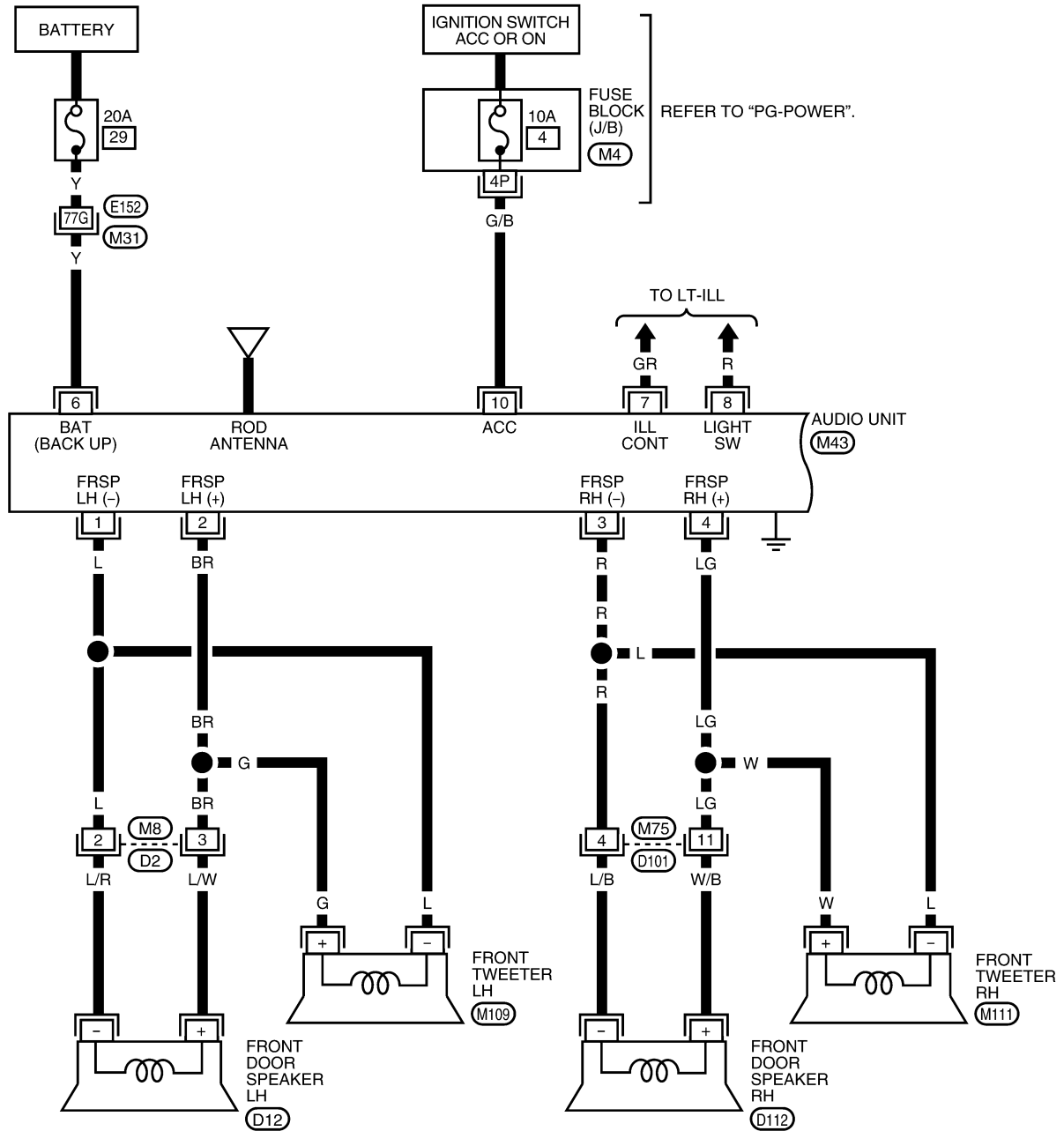
AV

AUDIO

Wiring Diagram — AUDIO — BASE SYSTEM

EKS00DKJ

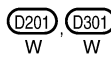
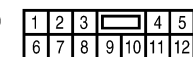
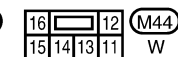
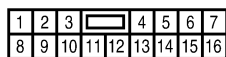
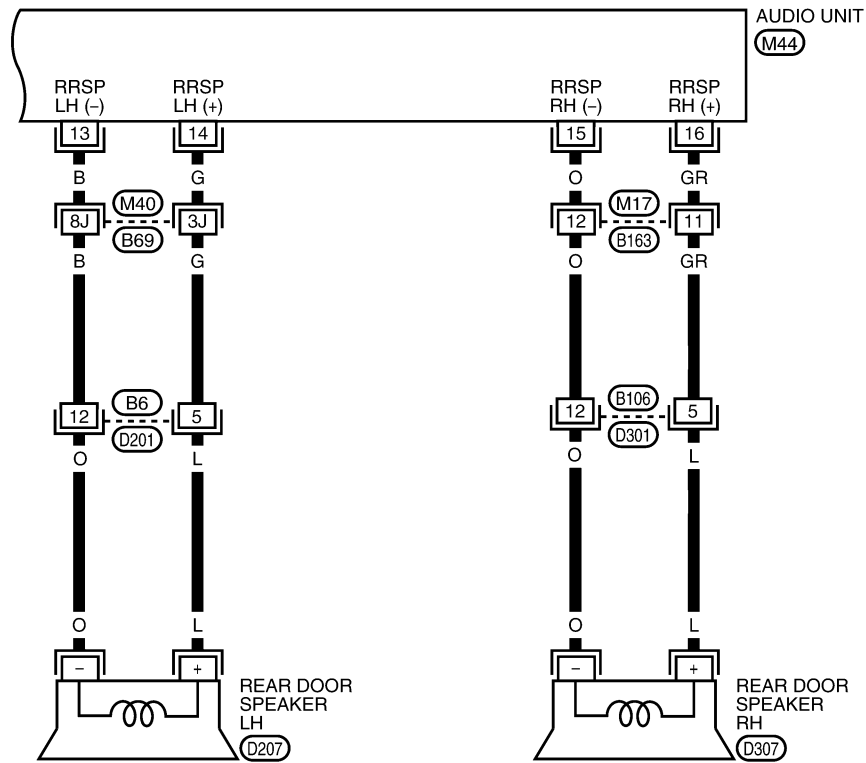
AV-AUDIO-01



REFER TO THE FOLLOWING.
 (M31) - SUPER MULTIPLE
 JUNCTION (SMJ)

AUDIO

AV-AUDIO-02



REFER TO THE FOLLOWING.
 (M40) - SUPER MULTIPLE JUNCTION (SMJ)

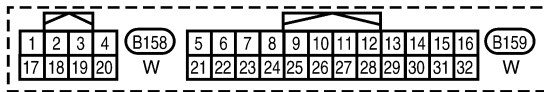
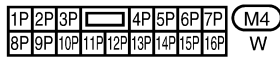
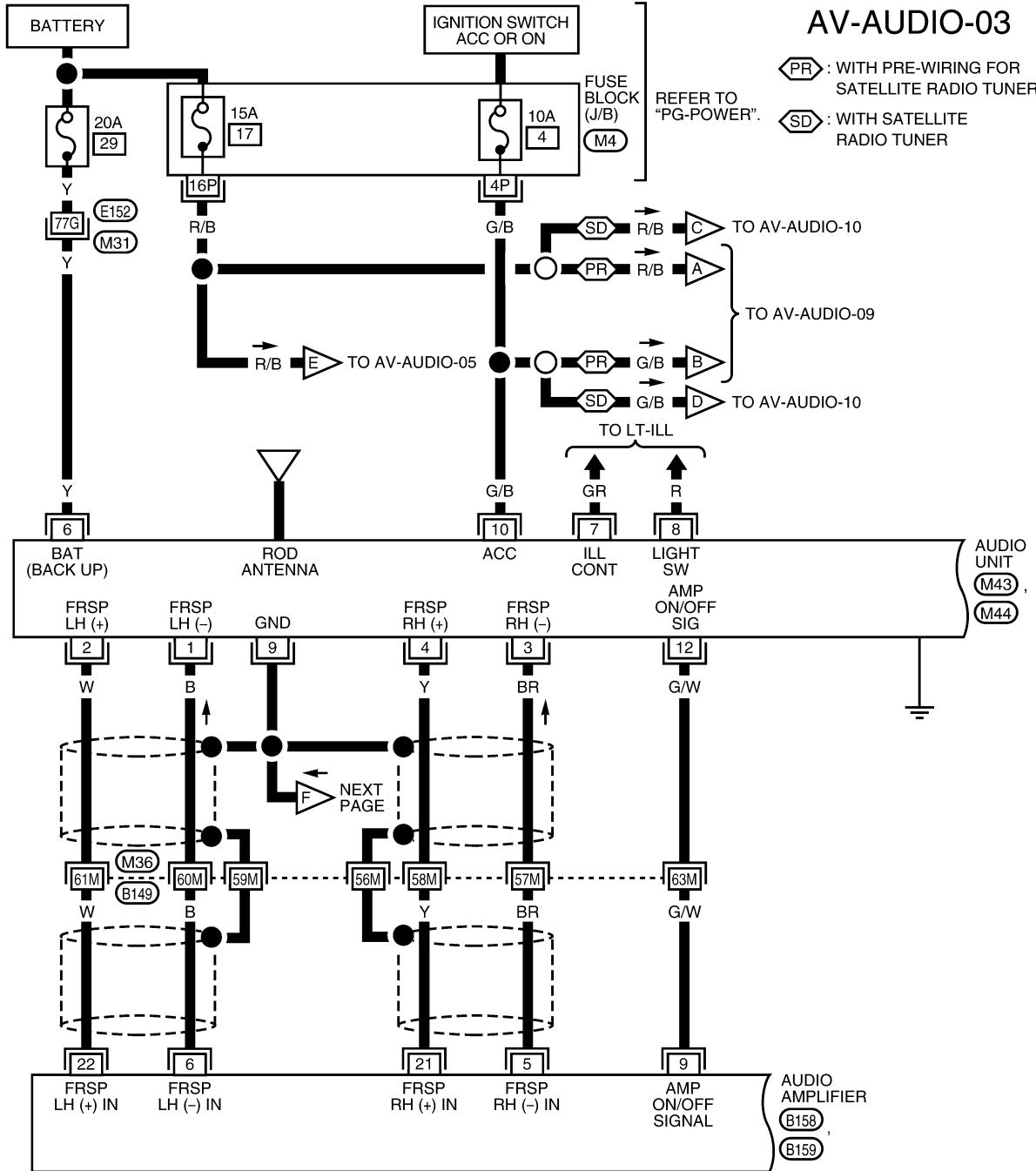
WKWA2578E

AUDIO

PREMIUM SYSTEM

AV-AUDIO-03

PR : WITH PRE-WIRING FOR SATELLITE RADIO TUNER
SD : WITH SATELLITE RADIO TUNER

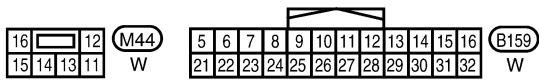
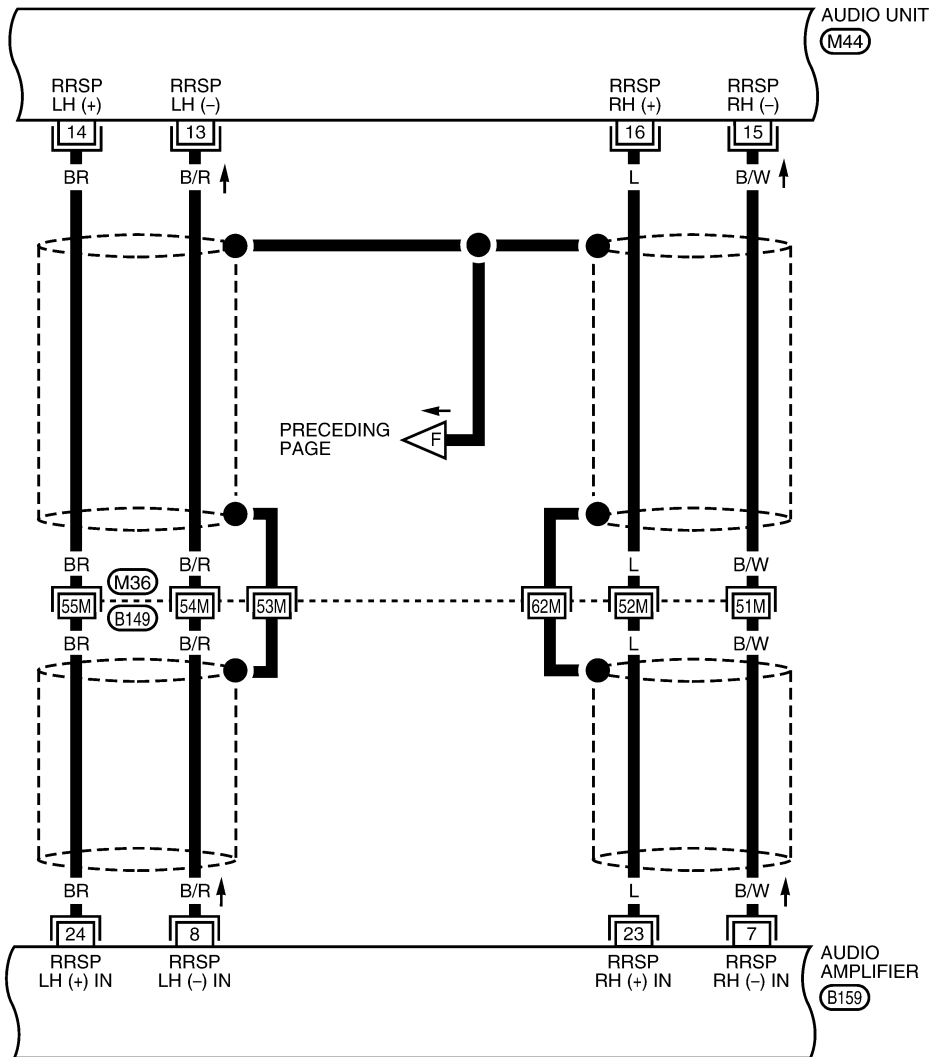


REFER TO THE FOLLOWING.
M31 M36 - SUPER MULTIPLE JUNCTION (SMJ)

WKWA5400E

AUDIO

AV-AUDIO-04

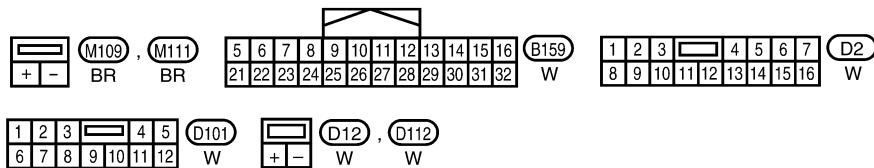
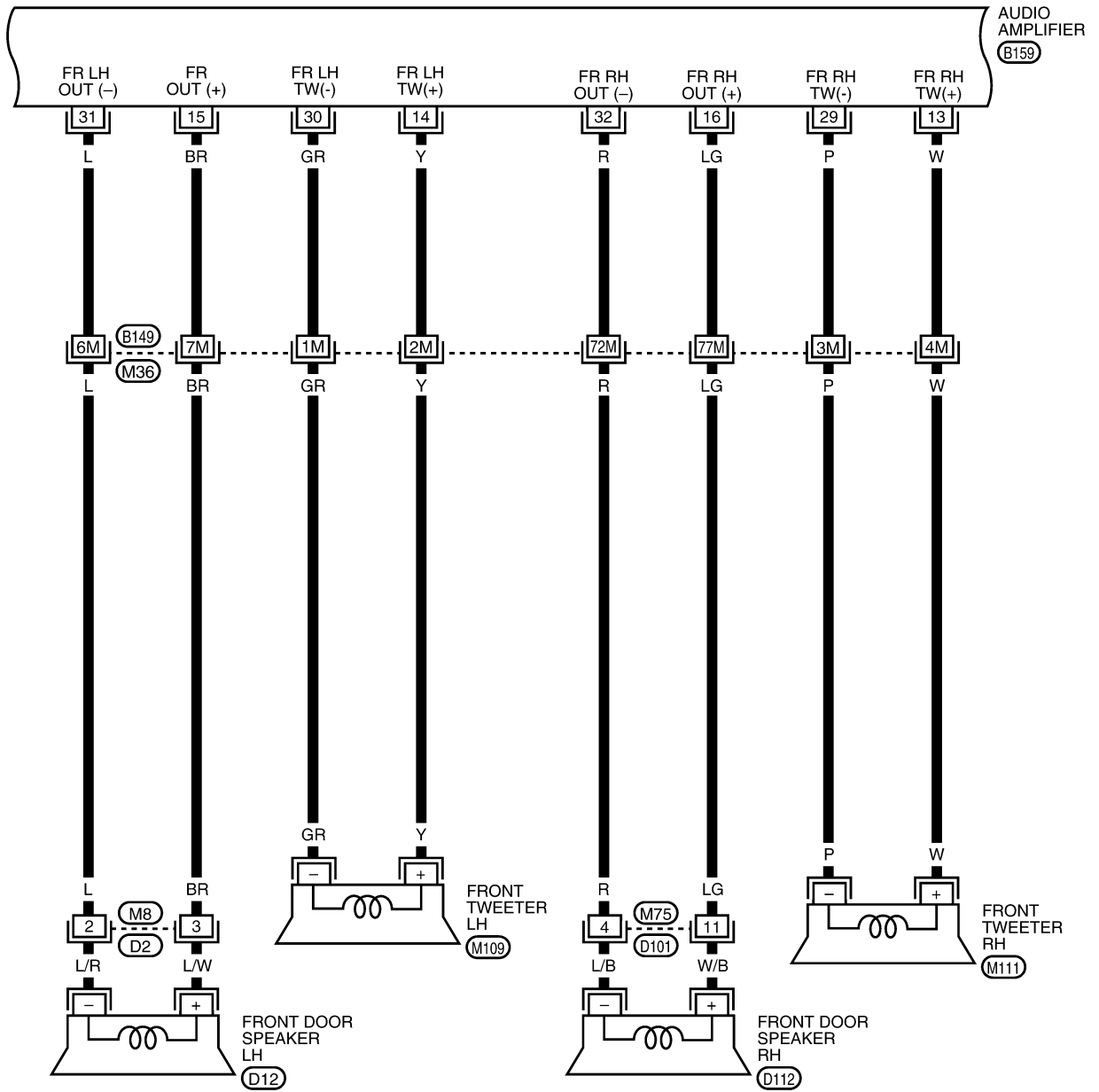


REFER TO THE FOLLOWING.
 (M36) - SUPER MULTIPLE JUNCTION (SMJ)

WKWA4299E

AUDIO

AV-AUDIO-06

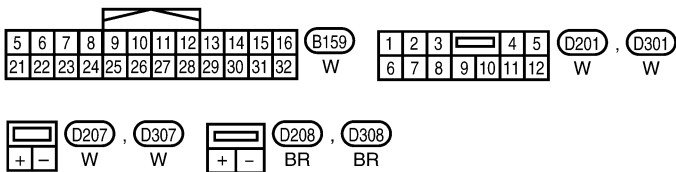
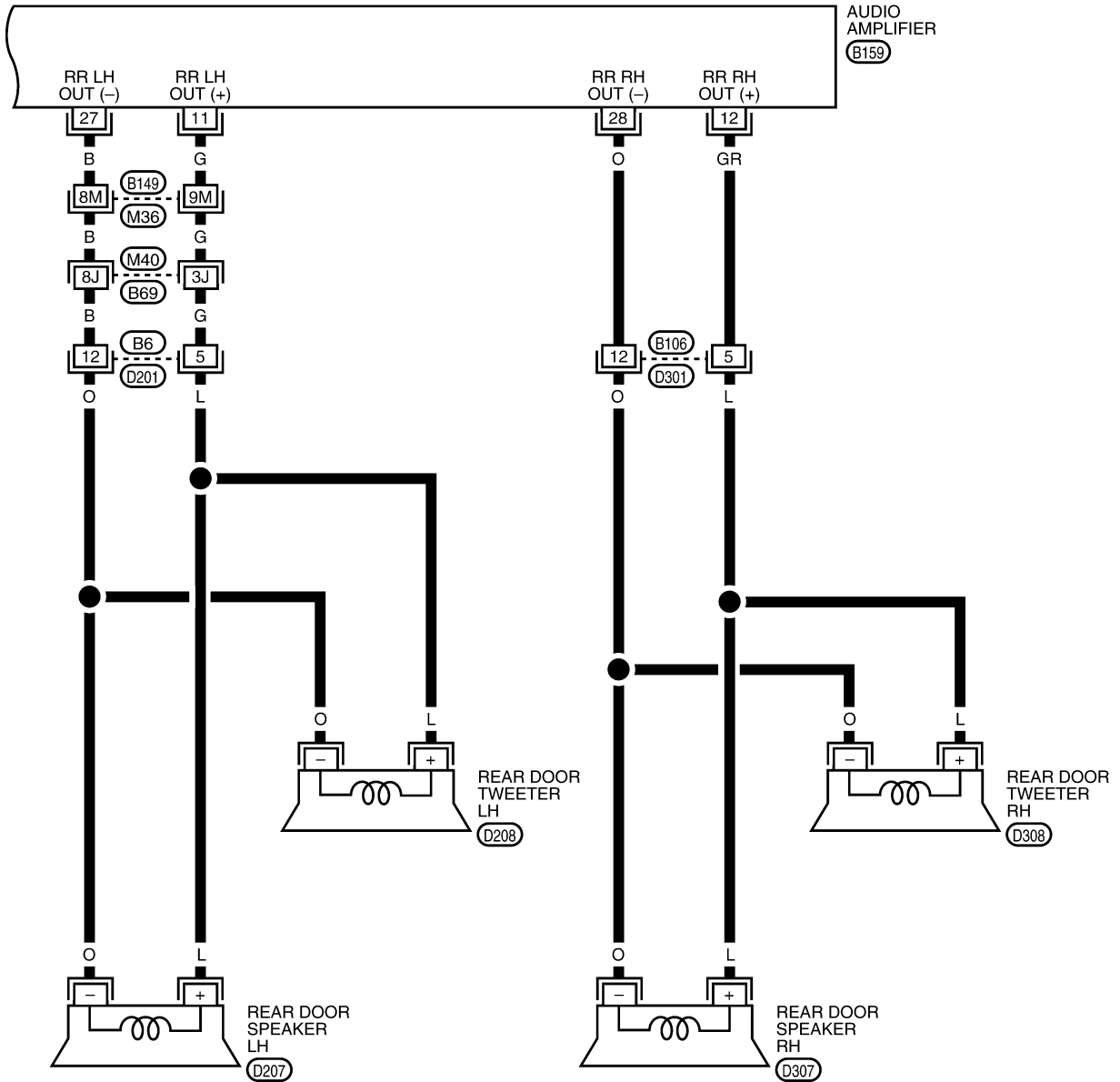


REFER TO THE FOLLOWING.
M36 - SUPER MULTIPLE JUNCTION (SMJ)

WKWA2583E

AUDIO

AV-AUDIO-07

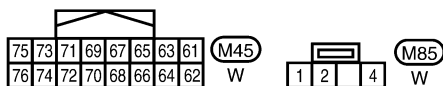
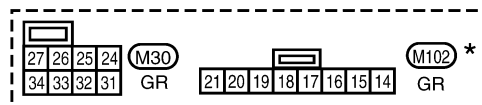
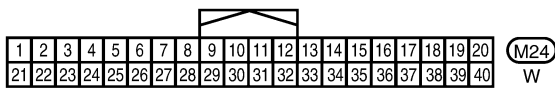
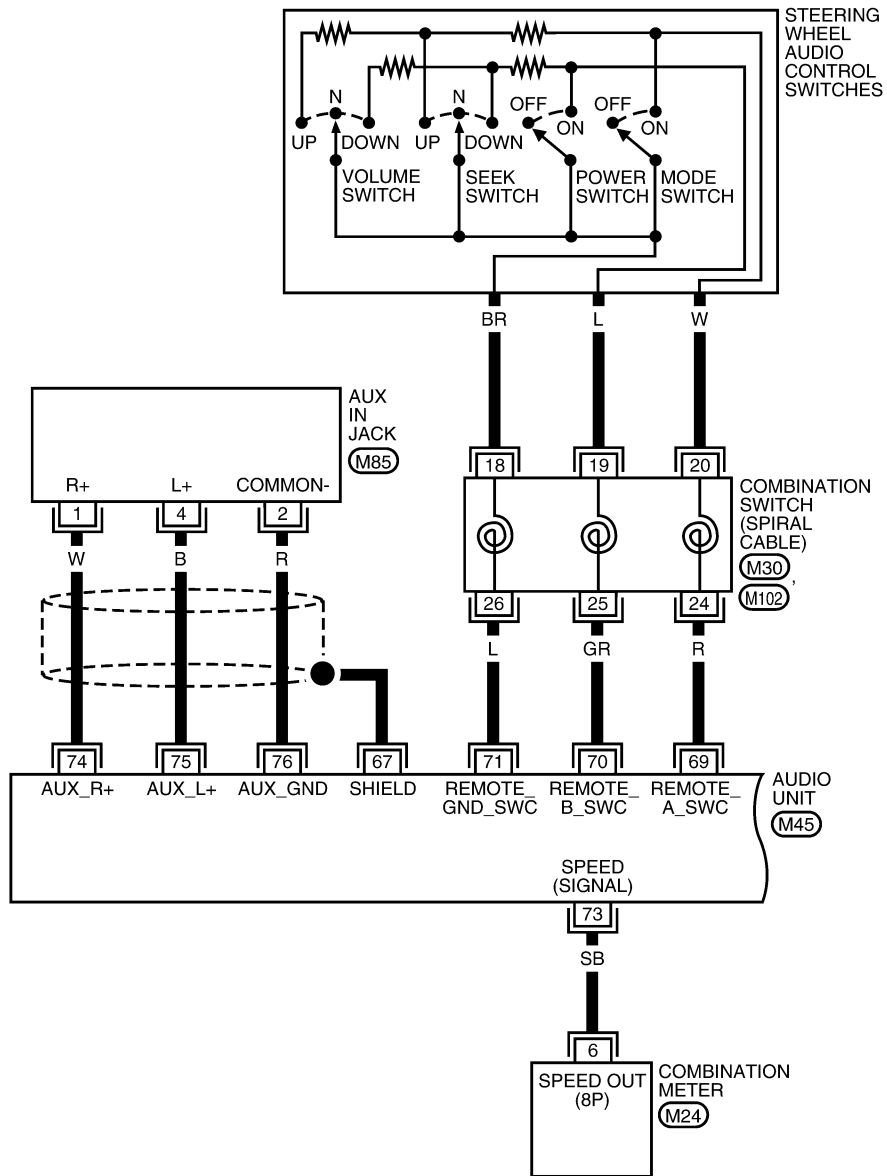


REFER TO THE FOLLOWING.
 (M36), (M40) - SUPER
 MULTIPLE JUNCTION (SMJ)

WKWA2584E

AUDIO

AV-AUDIO-08

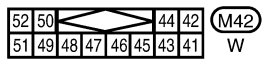
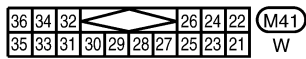
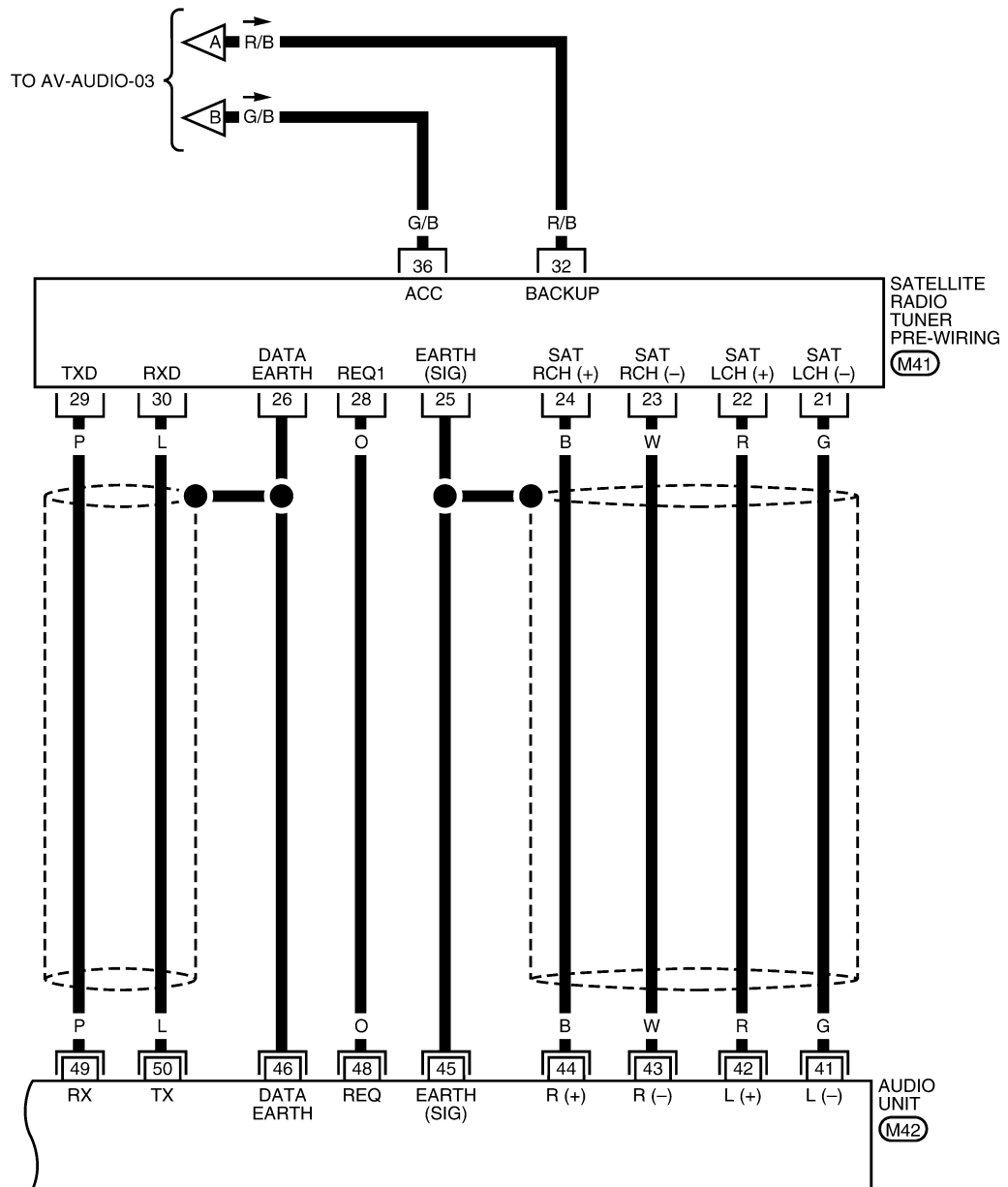


*: THIS CONNECTOR IS NOT SHOWN IN "HARNESS LAYOUT" OF PG SECTION.

WKWA5401E

AUDIO

AV-AUDIO-09

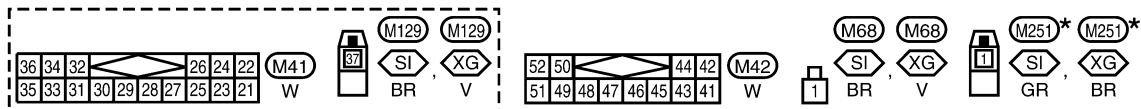
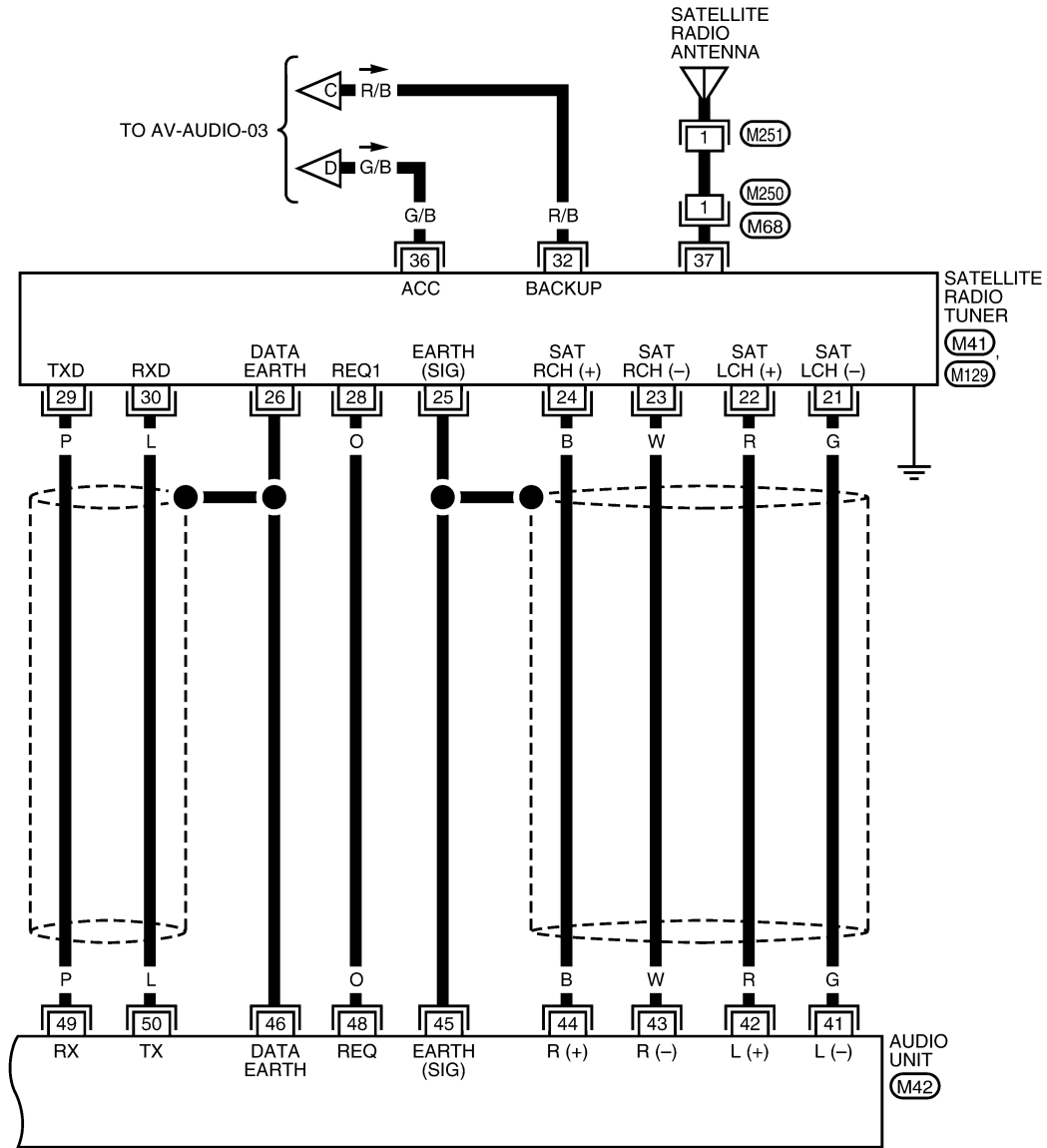


WKWA4301E

AUDIO

AV-AUDIO-10

SI : WITH SIRIUS SATELLITE RADIO TUNER
 XG : WITH XM SATELLITE RADIO TUNER



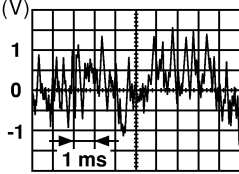
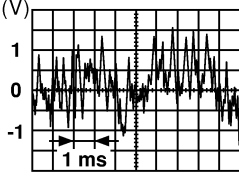
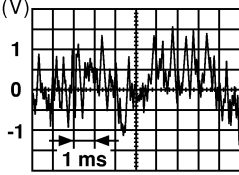
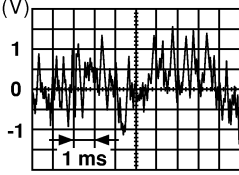
*: THIS CONNECTOR IS NOT SHOWN IN "HARNESS LAYOUT" OF PG SECTION.

WKWA4302E

AUDIO

Terminals and Reference Value for Audio Unit (Base System)

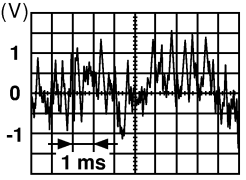
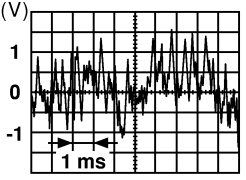
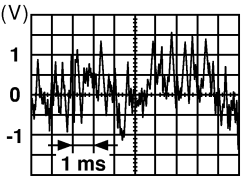
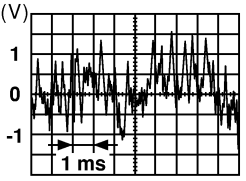
EKS00DKK

Terminal (Wire color)		Item	Signal input/ output	Condition		Reference value (Approx.)	Example of symptom
+	-			Ignition switch	Operation		
2 (BR)	1 (L)	Audio sound signal front LH	Output	ON	Receive audio signal	 SKIA0177E	No sound from front door speaker LH or front tweeter LH.
4 (LG)	3 (R)	Audio sound signal front RH	Output	ON	Receive audio signal	 SKIA0177E	No sound from front door speaker RH or front tweeter RH.
6 (Y)	Ground	Battery power	Input	-	-	Battery voltage	System does not work properly.
7 (GR)	Ground	Illumination control sig- nal	Input	ON	Illumination control switch is operated by lighting switch in 1st position.	Changes between 0 and 12V	Audio unit illumina- tion cannot be con- trolled.
8 (R)	Ground	Illumination signal	Input	OFF	Lighting switch is in 1st posi- tion.	Battery voltage	Audio unit illumina- tion does not come on when lighting switch is in 1st posi- tion.
					Lighting switch is OFF.	3V or less	
10 (G/B)	Ground	ACC power	Input	ACC	Ignition switch ACC or ON	Battery voltage	System does not work properly.
14 (G)	13 (B)	Audio sound signal rear LH	Output	ON	Receive audio signal	 SKIA0177E	No sound from rear door speaker LH.
16 (GR)	15 (O)	Audio sound signal rear RH	Output	ON	Receive audio signal	 SKIA0177E	No sound from rear door speaker RH.

AUDIO

Terminals and Reference Value for Audio Unit (Premium System)

EKS00DKL

Terminal (Wire color)		Item	Signal input/ output	Condition		Reference value (Approx.)	Example of symptom
+	-			Ignition switch	Operation		
2 (W)	1 (B)	Audio sound signal front LH	Output	ON	Receive audio signal	 SKIA0177E	No sound from front door speaker LH or front tweeter LH.
4 (Y)	3 (BR)	Audio sound signal front RH	Output	ON	Receive audio signal	 SKIA0177E	No sound from front door speaker RH or front tweeter RH.
6 (Y)	Ground	Battery power	Input	-	-	Battery voltage	System does not work properly.
7 (GR)	Ground	Illumination control sig- nal	Input	ON	Illumination con- trol switch is operated by light- ing switch in 1st position.	Changes between 0 and 12V	Audio unit illumina- tion cannot be con- trolled.
8 (R)	Ground	Illumination signal	Input	OFF	Lighting switch is in 1st position. Lighting switch is OFF.	Battery voltage 3V or less	Audio unit illumina- tion does not come on when lighting switch is in 1st posi- tion.
9	-	Shield ground	-	-	-	-	-
10 (G/B)	Ground	ACC power	Input	ACC	-	Battery voltage	System does not work properly.
12 (G/W)	Ground	Amp. ON/ OFF signal	Output	ON	-	More than 6.5V	Audio amplifier does not work properly.
14 (BR)	13 (B/R)	Audio sound signal rear LH	Output	ON	Receive audio signal	 SKIA0177E	No sound from rear door speaker LH or rear door tweeter LH.
16 (L)	15 (B/W)	Audio sound signal rear RH	Output	ON	Receive audio signal	 SKIA0177E	No sound from rear door speaker RH or rear door tweeter RH.

A

B

C

D

E

F

G

H

I

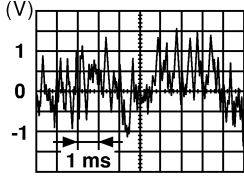
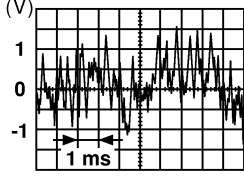
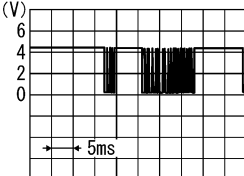
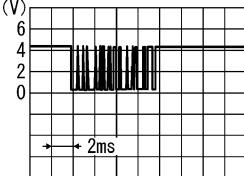
J

AV

L

M

AUDIO

Terminal (Wire color)		Item	Signal input/ output	Condition		Reference value (Approx.)	Example of symptom
+	-			Ignition switch	Operation		
42 (R)	41 (G)	Audio left channel sound sig- nal from sat- ellite radio tuner	Input	ON	Receive audio signal	 SKIA0177E	No sound from satel- lite radio tuner left channel.
44 (B)	43 (W)	Audio right channel sound sig- nal from sat- ellite radio tuner	Input	ON	Receive audio signal	 SKIA0177E	No sound from satel- lite radio tuner right channel.
45	-	Shield ground (audio sig- nal)	-	-	-	-	-
46	-	Shield ground (data)	-	-	-	-	-
48 (O)	Ground	Satellite radio tuner request to audio unit	Input	ON	Turn audio unit ON	5V	Satellite radio tuner does not operate properly.
49 (P)	Ground	Audio RX	Input	ON	Operate audio volume	 SKIA4403E	Satellite radio tuner audio information does not display properly.
50 (L)	Ground	Audio TX	Output	ON	Operate audio volume	 SKIA4402E	Satellite radio tuner audio information does not display properly.
67	-	Shield ground	-	-	-	-	-
69 (R)	Ground	Remote control A	Input	ON	Press MODE switch	0V	Steering wheel audio controls do not func- tion.
					Press SEEK UP switch	0.75V	
					Press VOL UP switch	2V	
					Except for above	5V	

AUDIO

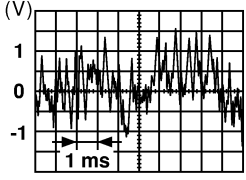
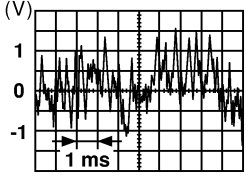
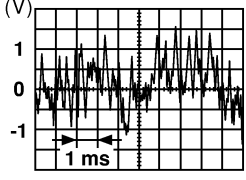
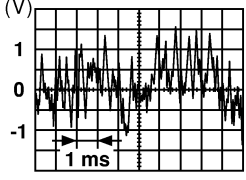
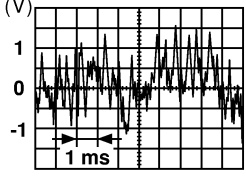
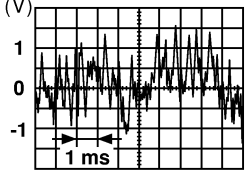
Terminal (Wire color)		Item	Signal input/ output	Condition		Reference value (Approx.)	Example of symptom
+	-			Ignition switch	Operation		
70 (GR)	Ground	Remote control B	Input	ON	Press POWER switch	0V	Steering wheel audio controls do not func- tion.
					Press SEEK DOWN switch	0.75V	
					Press VOL DOWN switch	2V	
					Except for above	5V	
71 (L)	-	Remote control ground	-	-	-	-	Steering wheel audio controls do not func- tion.
73 (SB)	Ground	Vehicle speed sig- nal	Input	ON	When vehicle speed is approx. 40 km/h (25 MPH)		Speed sensitive vol- ume inoperative.
74 (W)	Ground	AUX R+	Input	ON	-	0V	No sound from auxil- iary audio device right channel.
75 (B)	Ground	AUX L+	Input	ON	-	0V	No sound from auxil- iary audio device left channel.
76 (R)	-	AUX Ground	-	-	-	-	No sound from auxil- iary audio device.

Terminals and Reference Value for Audio Amplifier (Premium System)

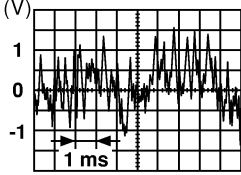
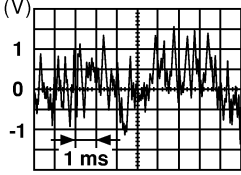
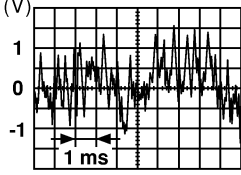
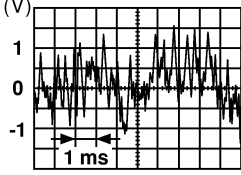
EKS00E17

Terminal (wire color)		Item	Signal input/ output	Condition		Reference value (Approx.)	Example of symptom
+	-			Ignition switch	Operation		
1 (Y)	Ground	Battery	Input	-	-	Battery voltage	System does not work properly.
2 (W)	18 (G)	Subwoofer	Output	ON	Receive audio signal		No sound from subwoofer.
3 (O)	19 (BR)	Subwoofer	Output	ON	Receive audio signal		No sound from subwoofer.
4 (B)	Ground	Ground	-	ON	-	-	-

AUDIO

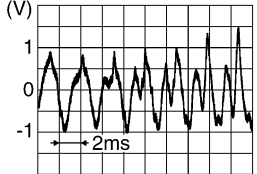
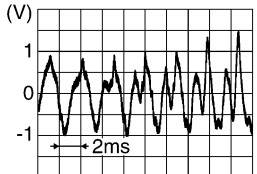
Terminal (wire color)		Item	Signal input/ output	Condition		Reference value (Approx.)	Example of symptom
+	-			Ignition switch	Operation		
9 (G/W)	Ground	Amp. ON signal	Input	ON	-	More than 6.5V	System does not work properly.
11 (G)	27 (B)	Rear door speaker LH and rear door tweeter LH	Output	ON	Receive audio signal	 <small>SKIA0177E</small>	No sound from rear door speaker LH or rear door tweeter LH.
12 (GR)	28 (O)	Rear door speaker RH and rear door tweeter RH	Output	ON	Receive audio signal	 <small>SKIA0177E</small>	No sound from rear door speaker RH or rear door tweeter RH.
13 (W)	29 (P)	Front tweeter RH	Output	ON	Receive audio signal	 <small>SKIA0177E</small>	No sound from front tweeter RH.
14 (Y)	30 (GR)	Front tweeter LH	Output	ON	Receive audio signal	 <small>SKIA0177E</small>	No sound from front tweeter LH.
15 (BR)	31 (L)	Front door speaker LH	Output	ON	Receive audio signal	 <small>SKIA0177E</small>	No sound from front door speaker LH.
16 (LG)	32 (R)	Front door speaker RH	Output	ON	Receive audio signal	 <small>SKIA0177E</small>	No sound from front door speaker RH.
17 (R/B)	Ground	Battery	Input	-	-	Battery voltage	System does not work properly.
20 (B)	Ground	Ground	-	ON	-	-	-

AUDIO

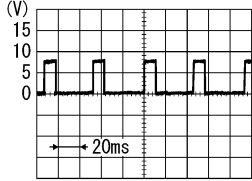
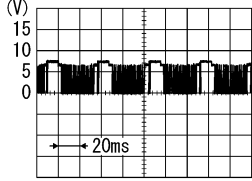
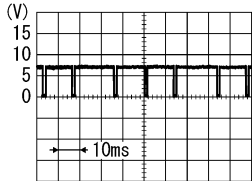
Terminal (wire color)		Item	Signal input/ output	Condition		Reference value (Approx.)	Example of symptom
+	-			Ignition switch	Operation		
21 (Y)	5 (BR)	Audio sound signal front RH	Input	ON	Receive audio signal	 SKIA0177E	No sound from front door speaker RH or front tweeter RH.
22 (W)	6 (B)	Audio sound signal front LH	Input	ON	Receive audio signal	 SKIA0177E	No sound from front door speaker LH or front tweeter LH.
23 (L)	7 (B/W)	Audio sound signal rear RH	Input	ON	Receive audio signal	 SKIA0177E	No sound from rear door speaker RH or rear door tweeter RH.
24 (BR)	8 (B/R)	Audio sound signal rear LH	Input	ON	Receive audio signal	 SKIA0177E	No sound from rear door speaker LH or rear door tweeter LH.

Terminals and Reference Value for Satellite Radio Tuner

EKS00H08

Terminal (Wire color)		Item	Signal input/ output	Condition		Voltage (approx.)
+	-			Ignition switch	Operation	
22 (R)	21 (G)	Audio signal LH	Output	ON	Receive audio signal.	 SKIB3609E
24 (B)	23 (W)	Audio signal RH	Output	ON	Receive audio signal.	 SKIB3609E

AUDIO

Terminal (Wire color)		Item	Signal input/ output	Condition		Voltage (approx.)
+	-			Ignition switch	Operation	
25	-	Shield	-	-	-	-
26				ON		Approx. 0 V
28 (O)	Ground	REQ1 (SAT-AUDIO)	Output	ON	Set to the satellite radio mode	 <p style="text-align: right; font-size: small;">SKIB3825E</p>
29 (P)	Ground	Communication signal (SAT-AUDIO)	Output	ON	Set to the satellite radio mode	 <p style="text-align: right; font-size: small;">SKIB3824E</p>
30 (L)	Ground	Communication signal (AUDIO-SAT)	Input	ON	Set to the satellite radio mode	 <p style="text-align: right; font-size: small;">SKIB3826E</p>
32 (R/B)	Ground	Battery power supply	Input	OFF	-	Battery voltage
36 (G/B)		ACC power supply		ACC		
37		Antenna signal		-		

AUDIO

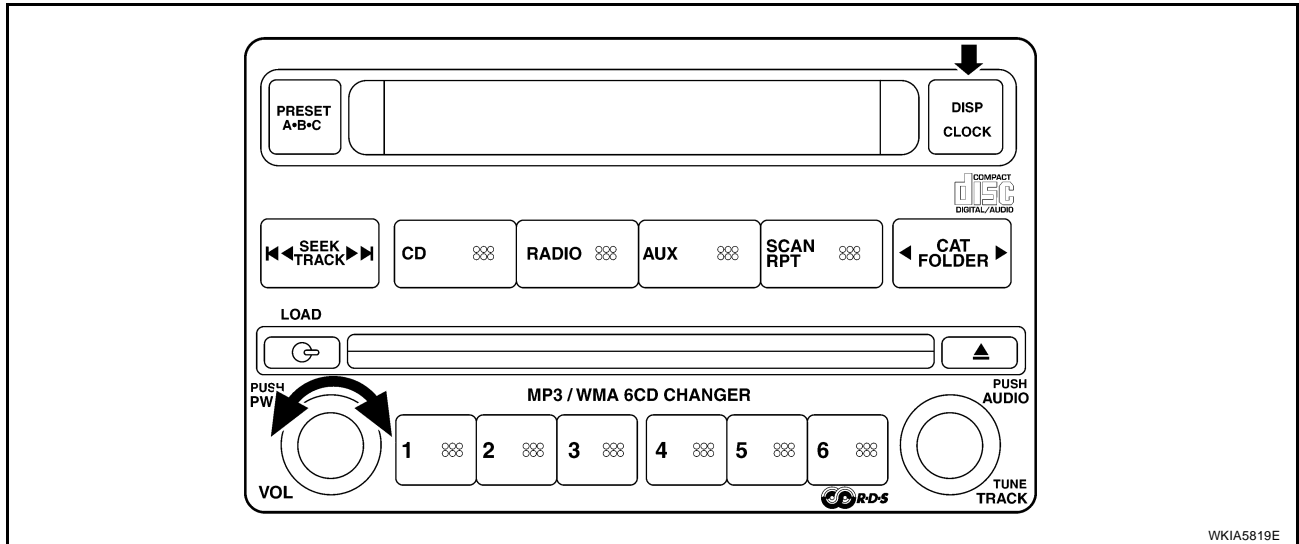
EKS00E18

Audio Unit Self-Diagnosis Function (Premium System)

It can check ON/OFF operation of each switch in the audio unit and diagnose the input signals from the steering switch.

STARTING THE SELF-DIAGNOSIS MODE

1. Turn ignition switch from OFF to ACC.
2. Press and hold the "DISP/CLOCK" switch and turn the volume control dial clockwise or counterclockwise for 30 clicks or more.



Then the self-diagnosis operates. A single beep indicates self-diagnosis mode is active.

3. Initially, all display segments will be illuminated.
4. Press each switch. When each switch is pressed, its name and communication code will be displayed.

NOTE:

CD player LOAD and EJECT buttons are not included in this test and will not change the display when pressed.

EXITING THE SELF-DIAGNOSIS MODE

Turn ignition switch OFF. Then the self-diagnosis ends.

DIAGNOSIS FUNCTION

- It can check for continuity of the switches by sounding a beep when each audio unit switch and steering switch is pressed.
- It can check for continuity of harness between audio unit and steering switch.

A
B
C
D
E
F
G
H
I
J
AV
L
M

AUDIO

EKS00E19

Trouble Diagnosis

The majority of the audio troubles are the result of outside causes (bad CD, electromagnetic interference, etc.). Check the inspection items below to diagnose the malfunction.

MALFUNCTION WITH RADIO AND CD (BASE SYSTEM)

Symptom	Possible cause
Inoperative	<ul style="list-style-type: none"> ● Audio unit power circuit check. Refer to AV-28, "Power Supply Circuit Inspection" . <p>If above check is OK, replace audio unit.</p>
All speakers do not sound	<ul style="list-style-type: none"> ● Audio unit
One or several speakers do not sound	<ul style="list-style-type: none"> ● Front door speaker check. Refer to AV-37, "Sound Is Not Heard From Front Door Speaker or Front Tweeter (Base System)" . ● Rear door speaker check. Refer to AV-39, "Sound Is Not Heard From Rear Door Speaker (Base System)" .
Poor sound	<ul style="list-style-type: none"> ● Audio unit ● Speaker
Noisy	<ul style="list-style-type: none"> ● Audio unit ● Electrical equipment (generator, bonding wire, etc.)

MALFUNCTION WITH RADIO AND CD (PREMIUM SYSTEM)

Symptom	Possible cause
Inoperative	<ul style="list-style-type: none"> ● Audio unit power circuit check. Refer to AV-28, "Power Supply Circuit Inspection" . <p>If above check is OK, replace audio unit.</p>
Steering switch does not operate	<ul style="list-style-type: none"> ● Steering switch check. Refer to AV-34, "Steering Switch Check (Premium System)" . <p>If above check is OK, replace audio unit.</p>
All speakers do not sound	<ul style="list-style-type: none"> ● Audio unit ● Audio amplifier power supply and ground circuit check. Refer to AV-28, "Power Supply Circuit Inspection" . ● Audio amplifier ON signal ● Audio amplifier
One or several speakers do not sound	<ul style="list-style-type: none"> ● Front door speaker check. Refer to AV-41, "Sound Is Not Heard From Front Door Speaker or Front Tweeter (Premium System)" . ● Rear door speaker check. Refer to AV-44, "Sound Is Not Heard From Rear Door Speaker or Rear Door Tweeter (Premium System)" . ● Subwoofer check. Refer to AV-48, "Sound Is Not Heard From Subwoofer (Premium System)" .
Poor sound	<ul style="list-style-type: none"> ● Audio unit ● Audio amplifier ● Speaker
Noisy	<ul style="list-style-type: none"> ● Audio unit ● Audio amplifier ● Electrical equipment (generator, bonding wire, etc.)

AUDIO

FOR RADIO ONLY

Symptom	Possible cause
No sound	<ul style="list-style-type: none"> ● Audio unit ● Antenna feeder, wiring or connections
Noisy	<ul style="list-style-type: none"> ● Audio unit ● Audio unit case ground ● Antenna feeder, wiring or connections ● Noise prevention parts ● Electrical equipment ● Wire harness of each piece of electrical equipment
All radio stations stored in memory are deleted	<ul style="list-style-type: none"> ● Audio unit power circuit. Refer to AV-28, "Power Supply Circuit Inspection". ● Audio unit

NOTE:

The following noise results from variations in field strength, such as fading noise and multi-path noise, or external noise from trains and other sources. It is not a malfunction.

- **Fading noise:** This noise occurs because of variations in the field strength in a narrow range due to mountains or buildings blocking the signal.
- **Multi-path noise:** This noise results from the waves sent directly from the broadcast station arriving at the antenna at a different time from the waves which reflect off mountains or buildings.

FOR CD ONLY

Symptom	Possible cause
CD cannot be inserted.	<ul style="list-style-type: none"> ● CD ● Audio unit
CD cannot be ejected.	
The CD cannot be played.	
The sound skips, stops suddenly, or is distorted.	

FOR SATELLITE RADIO TUNER (FACTORY INSTALLED) ONLY

Symptom	Possible cause
Inoperative	<ul style="list-style-type: none"> ● Satellite radio tuner (factory installed) power and ground circuit inspection. Refer to AV-29, "Satellite Radio Tuner (Factory Installed) Power and Ground Supply Circuit Inspection". ● Satellite radio tuner (factory installed) communication circuit inspection. Refer to AV-31, "Satellite Radio Tuner (Factory Installed) Communication Circuit Inspection". <p>If above check is OK, replace satellite radio tuner. Refer to AV-51, "SATELLITE RADIO TUNER".</p>
Right or left channel does not sound	<ul style="list-style-type: none"> ● Satellite radio tuner (factory installed) right channel audio signal circuit inspection. Refer to AV-34, "Satellite Radio Tuner (Factory Installed) Right Channel Audio Signal Circuit Inspection". ● Satellite radio tuner (factory installed) left channel audio signal circuit inspection. Refer to AV-33, "Satellite Radio Tuner (Factory Installed) Left Channel Audio Signal Circuit Inspection". <p>If above check is OK, replace satellite radio tuner. Refer to AV-51, "SATELLITE RADIO TUNER".</p>
Poor reception	<ul style="list-style-type: none"> ● Location of vehicle. Make certain vehicle is in an open area. ● Satellite radio antenna or antenna feeder. Refer to AV-53, "Location of Audio Antenna System Components".
Noisy	<ul style="list-style-type: none"> ● Satellite radio tuner (factory installed) ground. ● Satellite radio tuner (factory installed) harness shield wires. ● Electrical equipment (generator, bonding wire, etc.). Refer to AV-28, "Noise Inspection".

AUDIO

Noise Inspection

EKS00E1A

The vehicle itself can be a source of noise if noise prevention parts or electrical equipment is malfunctioning. Check if noise is caused and/or changed by engine speed, ignition switch turned to each position, and operation of each piece of electrical equipment, and determine the cause.

NOTE:

The source of the noise can be found easily by listening to the noise while removing the fuses of electrical components, one by one.

TYPE OF NOISE AND POSSIBLE CAUSE

Occurrence condition		Possible cause
Occurs only when engine is ON.	A continuous growling noise occurs. The speed of the noise varies with changes in the engine speed.	<ul style="list-style-type: none"> ● Ignition components
	A whistling noise occurs while the engine speed is high. A booming noise occurs while the engine is running and the lighting switch is ON.	<ul style="list-style-type: none"> ● Generator
The occurrence of the noise is linked with the operation of the fuel pump.		<ul style="list-style-type: none"> ● Fuel pump condenser
Noise only occurs when various electrical components are operating.	A cracking or snapping sound occurs with the operation of various switches.	<ul style="list-style-type: none"> ● Relay malfunction, audio unit malfunction
	The noise occurs when various motors are operating.	<ul style="list-style-type: none"> ● Motor case ground ● Motor
The noise occurs constantly, not just under certain conditions.		<ul style="list-style-type: none"> ● Rear defogger coil malfunction ● Open circuit in printed heater ● Poor ground of antenna feeder line
A cracking or snapping sound occurs while the vehicle is being driven, especially when it is vibrating excessively.		<ul style="list-style-type: none"> ● Ground wire of body parts ● Ground due to improper part installation ● Wiring connections or a short circuit

Power Supply Circuit Inspection

EKS00E1B

1. CHECK FUSES

Check that the following fuses are not blown.

Unit	Terminals	Signal name	Fuse No.
Audio unit	6	Battery power	29
	10	Ignition switch ACC or ON	4
Audio amplifier (premium system)	1	Battery power	17
	17		

OK or NG

OK >> GO TO 2.

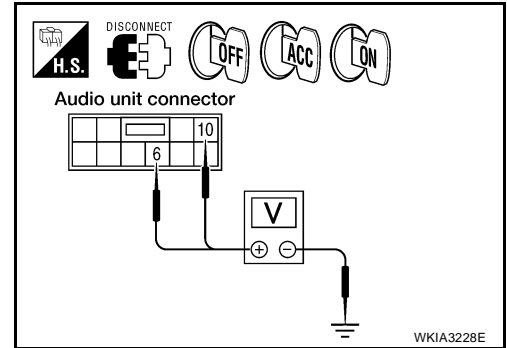
NG >> If fuse is blown, be sure to eliminate cause of problem before installing new fuse. Refer to [PG-4, "POWER SUPPLY ROUTING CIRCUIT"](#).

AUDIO

2. POWER SUPPLY CIRCUIT CHECK

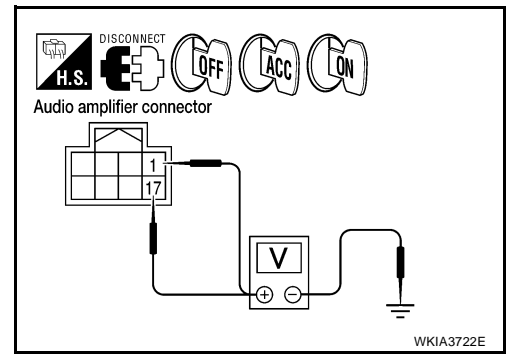
1. Disconnect audio unit connector M43 and audio amplifier connector B158 (premium system).
2. Check voltage between the audio unit and ground.

Unit	Terminal No.		OFF	ACC	ON
	(+)				
	Connector	Terminal			
Audio unit	M43	6	Battery voltage	Battery voltage	Battery voltage
		10	Ground	0V	Battery voltage



3. Check voltage between audio amplifier (premium system) and ground.

Unit	Terminal No.		OFF	ACC	ON
	(+)				
	Connector	Terminal			
Audio amplifier	B158	1	Battery voltage	Battery voltage	Battery voltage
		17	Ground	Battery voltage	Battery voltage



OK or NG

- OK >> GO TO 3.
 NG >> ● Check connector housings for disconnected or loose terminals.
 ● Repair harness or connector.

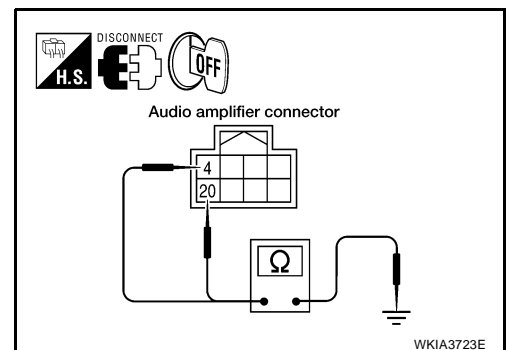
3. GROUND CIRCUIT CHECK

1. Turn ignition switch OFF.
2. Check continuity between audio amplifier (premium system) harness connector B158 terminal 4 and terminal 20 and ground.

Continuity should exist.

OK or NG

- OK >> Inspection End.
 NG >> ● Check connector housings for disconnected or loose terminals.
 ● Repair harness or connector.



Satellite Radio Tuner (Factory Installed) Power and Ground Supply Circuit Inspection

EKS00H09

1. CHECK FUSES

Check that the following fuses are not blown.

Unit	Terminals	Signal name	Fuse No.
Satellite radio tuner (factory installed)	32	Battery power	17
	36	Ignition switch ACC or ON	4

AUDIO

OK or NG

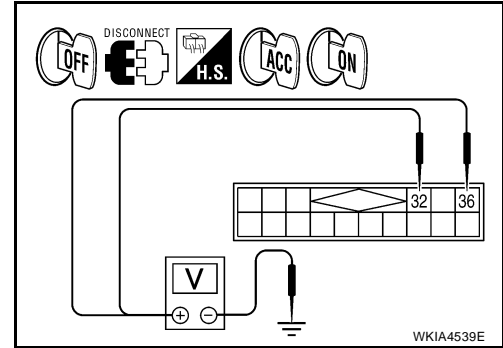
OK >> GO TO 2.

NG >> If fuse is blown, be sure to eliminate cause of problem before installing new fuse. Refer to [PG-4](#), "[POWER SUPPLY ROUTING CIRCUIT](#)".

2. POWER SUPPLY CIRCUIT CHECK

1. Turn ignition switch OFF.
2. Disconnect satellite radio tuner (factory installed) connector M41.
3. Check voltage between the satellite radio tuner (factory installed) and ground.

Unit	Terminal No.			OFF	ACC	ON
	(+)		(-)			
	Connector	Terminal				
Satellite radio tuner (factory installed)	M41	32	Ground	Battery voltage	Battery voltage	Battery voltage
		36	Ground	0V	Battery voltage	Battery voltage



OK or NG

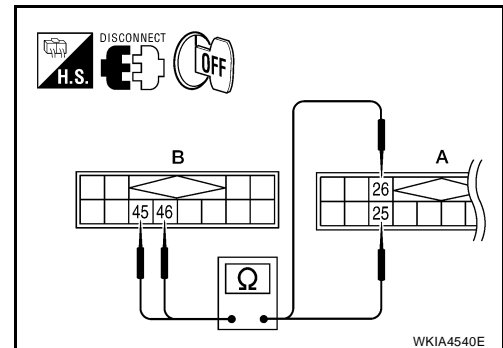
OK >> GO TO 3.

- NG >>
- Check connector housings for disconnected or loose terminals.
 - Repair harness or connector.

3. GROUND CIRCUIT CHECK

1. Turn ignition switch OFF.
2. Inspect satellite radio tuner (factory installed) case ground.
3. Disconnect satellite radio tuner (factory installed) connector M41 (A) and audio unit connector M42 (B).
4. Check continuity between satellite radio tuner (factory installed) and audio unit.

Terminals				Continuity
Satellite radio tuner		Audio unit		
Connector	Terminal	Connector	Terminal	
A: M41	25	B: M42	45	Yes
	26		46	



OK or NG

OK >> Inspection End.

- NG >>
- Check connector housings for disconnected or loose terminals.
 - Repair harness, connector or satellite radio tuner (factory installed) case ground.

AUDIO

Satellite Radio Tuner (Factory Installed) Communication Circuit Inspection EKS00HOA

1. CHECK HARNESS - 1

1. Turn ignition switch OFF.
2. Disconnect satellite radio tuner (factory installed) connector M41 and audio unit connector M42.
3. Check continuity between satellite radio tuner (factory installed) harness connector M41 (A) terminal 28 and audio unit harness connector M42 (B) terminal 48

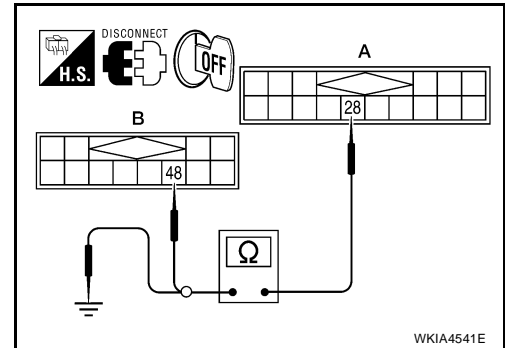
Continuity should exist.

4. Check continuity between satellite radio tuner (factory installed) harness connector M41 (A) terminal 28 and ground.

Continuity should not exist.

OK or NG

- OK >> GO TO 2.
NG >> Repair harness or connector.



2. CHECK HARNESS - 2

1. Check continuity between satellite radio tuner (factory installed) harness connector M41 (A) terminal 29 and audio unit harness connector M42 (B) terminal 49

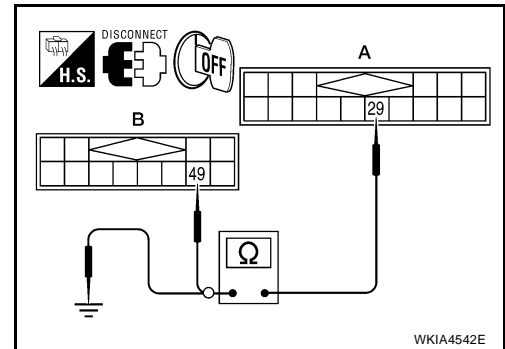
Continuity should exist.

2. Check continuity between satellite radio tuner (factory installed) harness connector M41 (A) terminal 29 and ground.

Continuity should not exist.

OK or NG

- OK >> GO TO 3.
NG >> Repair harness or connector.



3. CHECK HARNESS - 3

1. Check continuity between satellite radio tuner (factory installed) harness connector M41 (A) terminal 30 and audio unit harness connector M42 (B) terminal 50

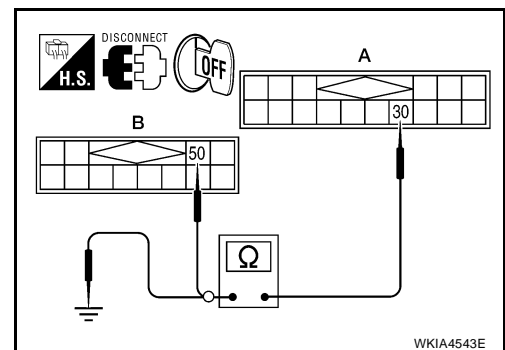
Continuity should exist.

2. Check continuity between satellite radio tuner (factory installed) harness connector M41 (A) terminal 30 and ground.

Continuity should not exist.

OK or NG

- OK >> GO TO 4.
NG >> Repair harness or connector.



A
B
C
D
E
F
G
H
I
J
AV
L
M

AUDIO

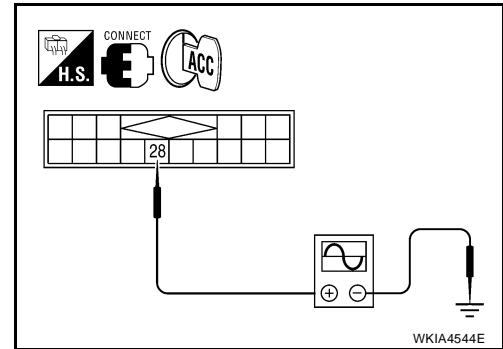
4. CHECK REQ1 SIGNAL

1. Connect satellite radio tuner (factory installed) connector and audio unit connector.
2. Turn ignition switch to ACC
3. Check signal between satellite radio tuner (factory installed) harness connector M41 terminal 28 and ground with CONSULT-II or oscilloscope.

28 - Ground : Refer to [AV-23, "Terminals and Reference Value for Satellite Radio Tuner"](#) .

OK or NG

- OK >> GO TO 5.
NG >> Replace audio unit. Refer to [AV-49, "AUDIO UNIT"](#) .



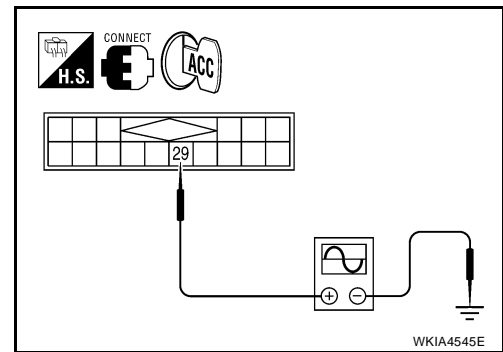
5. CHECK TXD SIGNAL

Check signal between satellite radio tuner (factory installed) harness connector M41 terminal 29 and ground with CONSULT-II or oscilloscope.

29 - Ground : Refer to [AV-23, "Terminals and Reference Value for Satellite Radio Tuner"](#) .

OK or NG

- OK >> GO TO 6.
NG >> Replace audio unit. Refer to [AV-49, "AUDIO UNIT"](#) .



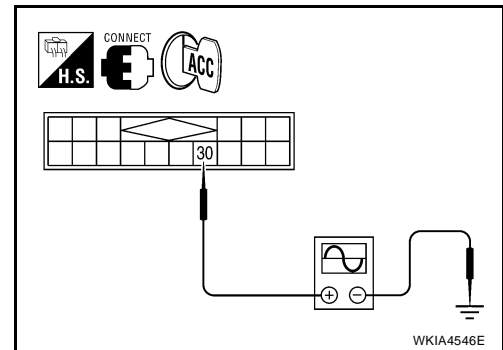
6. CHECK RXD SIGNAL

Check signal between satellite radio tuner (factory installed) harness connector M41 terminal 30 and ground with CONSULT-II or oscilloscope.

30 - Ground : Refer to [AV-23, "Terminals and Reference Value for Satellite Radio Tuner"](#) .

OK or NG

- OK >> Replace satellite radio tuner (factory installed). Refer to [AV-51, "SATELLITE RADIO TUNER"](#) .
NG >> Replace audio unit. Refer to [AV-49, "AUDIO UNIT"](#) .



AUDIO

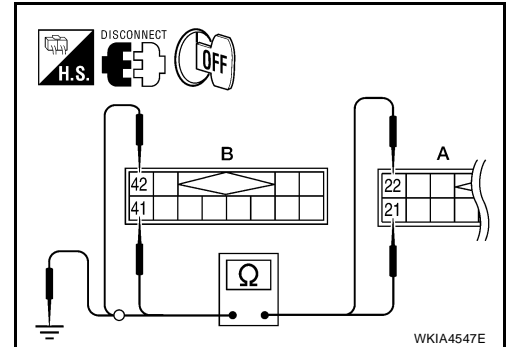
Satellite Radio Tuner (Factory Installed) Left Channel Audio Signal Circuit Inspection

EKS00HOB

1. CHECK HARNESS

1. Turn ignition switch OFF.
2. Disconnect satellite radio tuner (factory installed) connector M41 (A) and audio unit connector M42 (B).
3. Check continuity between satellite radio tuner (factory installed) and audio unit.

Terminals				Continuity
Satellite radio tuner (factory installed)		Audio unit		
Connector	Terminal	Connector	Terminal	
A: M41	21	B: M42	41	Yes
	22		42	



4. Check continuity between satellite radio tuner (factory installed) and ground.

Terminals			Continuity
Satellite radio tuner (factory installed)			
Connector	Terminal	—	
A: M41	21	Ground	No
	22		

OK or NG

- OK >> GO TO 2.
 NG >> Repair harness or connector.

2. CHECK LEFT CHANNEL AUDIO SIGNAL

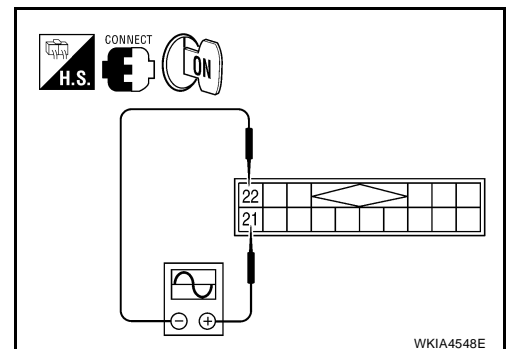
1. Connect satellite radio tuner (factory installed) and audio unit.
2. Turn ignition switch ON.
3. Check signal between satellite radio tuner (factory installed) connector M41 terminals 21 and 22 with CONSULT-II or oscilloscope.

21 - 22

: Refer to [AV-23, "Terminals and Reference Value for Satellite Radio Tuner"](#) .

OK or NG

- OK >> Replace satellite radio tuner (factory installed). Refer to [AV-51, "SATELLITE RADIO TUNER"](#) .
 NG >> Replace audio unit. Refer to [AV-49, "AUDIO UNIT"](#) .



AUDIO

Satellite Radio Tuner (Factory Installed) Right Channel Audio Signal Circuit Inspection

EKS00H0C

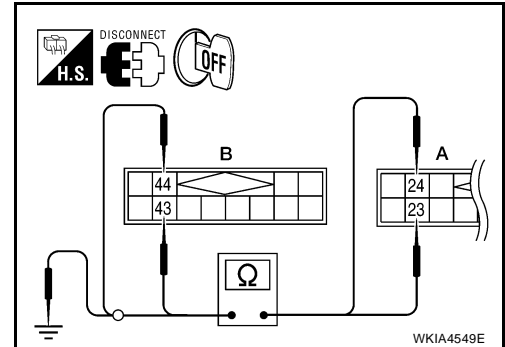
1. CHECK HARNESS

1. Turn ignition switch OFF.
2. Disconnect satellite radio tuner (factory installed) connector M41 (A) and audio unit connector M42 (B).
3. Check continuity between satellite radio tuner (factory installed) and audio unit.

Terminals				Continuity
Satellite radio tuner (factory installed)		Audio unit		
Connector	Terminal	Connector	Terminal	
A: M41	23	B: M42	43	Yes
	24		44	

4. Check continuity between satellite radio tuner (factory installed) and ground.

Terminals				Continuity
Satellite radio tuner (factory installed)		—		
Connector	Terminal			
A: M41	23	Ground		No
	24			



OK or NG

- OK >> GO TO 2.
 NG >> Repair harness or connector.

2. CHECK RIGHT CHANNEL AUDIO SIGNAL

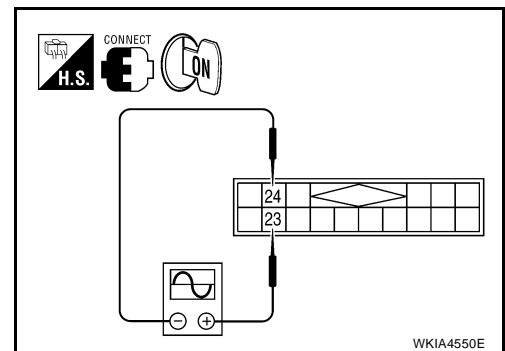
1. Connect satellite radio tuner (factory installed) and audio unit.
2. Turn ignition switch ON.
3. Check signal between satellite radio tuner (factory installed) connector M41 terminals 23 and 24 with CONSULT-II or oscilloscope.

23 - 24

: Refer to [AV-23, "Terminals and Reference Value for Satellite Radio Tuner"](#) .

OK or NG

- OK >> Replace satellite radio tuner (factory installed). Refer to [AV-51, "SATELLITE RADIO TUNER"](#) .
 NG >> Replace audio unit. Refer to [AV-49, "AUDIO UNIT"](#) .



Steering Switch Check (Premium System)

EKS00H0D

1. SELF-DIAGNOSIS FUNCTION CHECK

1. Start audio unit self-diagnosis function. Refer to [AV-25, "Audio Unit Self-Diagnosis Function \(Premium System\)"](#) .
2. Operate steering switch.

Does steering switch operate normally?

- YES >> Inspection End.
 NO >> GO TO 2.

AUDIO

2. CHECK HARNESS

1. Turn ignition switch OFF.
2. Disconnect audio unit connector M45 (B) and spiral cable connector M30.
3. Check continuity between spiral cable harness connector terminal and audio unit harness connector terminal.

Terminals				Continuity
Spiral cable		Audio unit		
Connector	Terminal	Connector	Terminal	
B: M30	24	A: M45	69	Yes
	25		70	
	26		71	

4. Check continuity between audio unit and ground.

Terminals			Continuity
Audio unit		—	
Connector	Terminal		
B: M45	69	Ground	No
	70		
	71		

OK or NG

- OK >> GO TO 3.
 NG >> Repair harness.

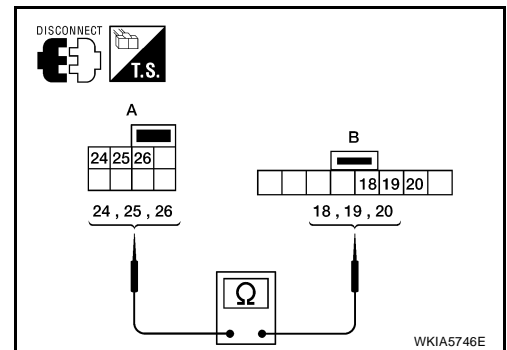
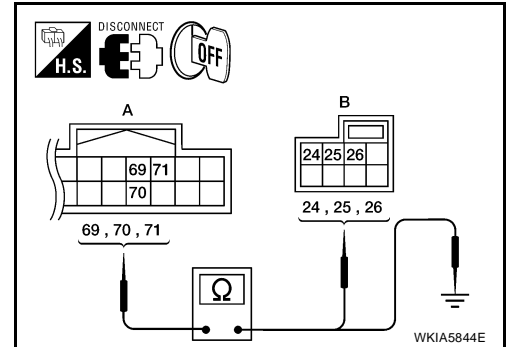
3. SPIRAL CABLE CHECK

1. Disconnect spiral cable connectors M30 (A) and M102 (B).
2. Check continuity between spiral cable terminals.

Terminals		Continuity
Spiral cable		
Terminal	Terminal	
24	20	Yes
25	19	
26	18	

OK or NG

- OK >> GO TO 4.
 NG >> Replace spiral cable. Refer to [SRS-39, "Removal and Installation"](#) .

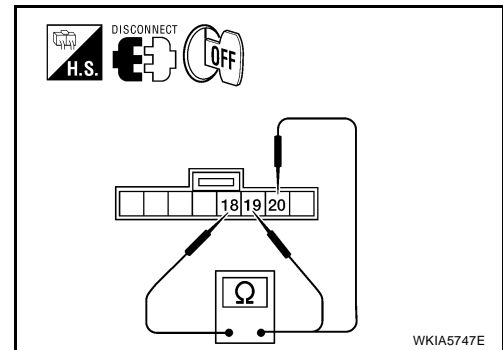


AUDIO

4. CHECK STEERING SWITCH RESISTANCE

Check resistance between steering switch terminals.

Terminal	Signal name	Condition	Resistance (Ω) (Approx.)	
19	18	Seek (down)	Depress (station) down switch.	165
		Power	Depress power switch.	0
		Volume (down)	Depress volume down switch.	652
20	18	Seek (up)	Depress (station) up switch.	165
		Mode	Depress mode switch.	0
		Volume (up)	Depress volume up switch.	652



OK or NG

OK >> Inspection End.

NG >> Replace steering switch. Refer to [AV-51, "STEERING WHEEL SWITCHES"](#).

AUDIO

Sound Is Not Heard From Front Door Speaker or Front Tweeter (Base System)

EKS00E1R

1. HARNESS CHECK

1. Turn ignition switch OFF.
2. Disconnect audio unit connector M43 and suspect speaker or tweeter connector.
3. Check continuity between audio unit harness connector M43 terminal and suspect speaker or tweeter harness connector terminal.

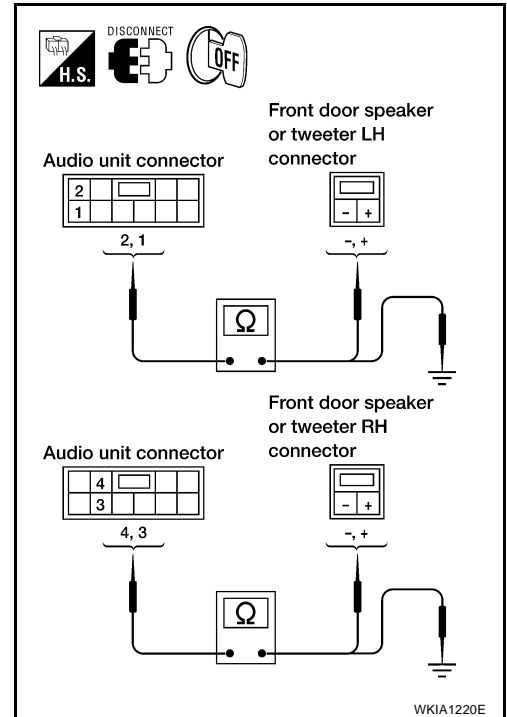
Terminals				Continuity
Audio unit		Speaker or tweeter		
Connector	Terminal	Connector	Terminal	
M43	2	D12	+	Yes
	1		-	
	4	D112	+	
	3		-	
	2	M109	+	
	1		-	
	4	M111	+	
	3		-	

4. Check continuity between audio unit harness connector M43 terminal and ground.

Terminals			Continuity
Connector	Terminal	—	
M43	2	Ground	No
	1		
	4		
	3		

OK or NG

- OK >> GO TO 2.
 NG >> ● Check connector housings for disconnected or loose terminals.
 ● Repair harness or connector.



WKIA1220E

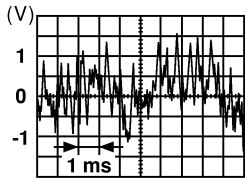
A
B
C
D
E
F
G
H
I
J
L
M

AV

AUDIO

2. FRONT SPEAKER SIGNAL CHECK

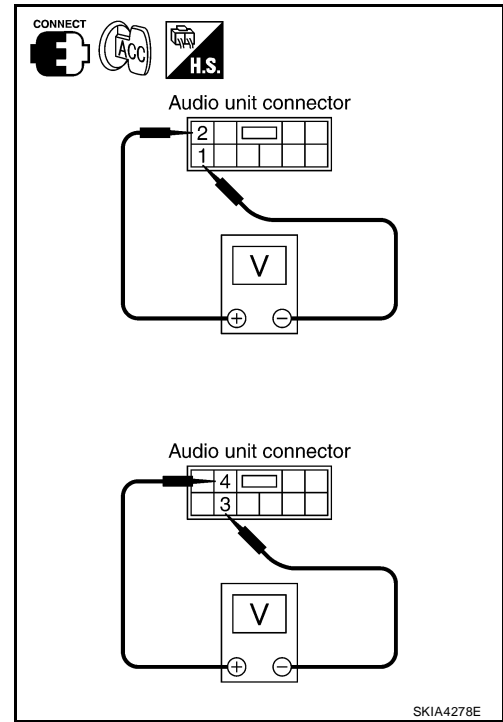
1. Connect audio unit connector and front speaker or tweeter connector.
2. Turn ignition switch to ACC.
3. Push "POWER" switch.
4. Check the signal between audio unit harness connector terminal and ground with CONSULT-II or oscilloscope.

Terminals				Condi- tion	Reference signal
(+)		(-)			
Con- nec- tor	Termi- nal	Con- nec- tor	Termi- nal		
M43	2	M43	1	Receive audio signal	
	4		3		

SKIA0177E

OK or NG

- OK >> Replace speaker. Refer to [AV-49, "FRONT DOOR SPEAKER"](#) or [AV-50, "FRONT TWEETER"](#).
- NG >> Replace audio unit. Refer to [AV-49, "Removal and Installation"](#).



AUDIO

Sound Is Not Heard From Rear Door Speaker (Base System)

EKS00E1S

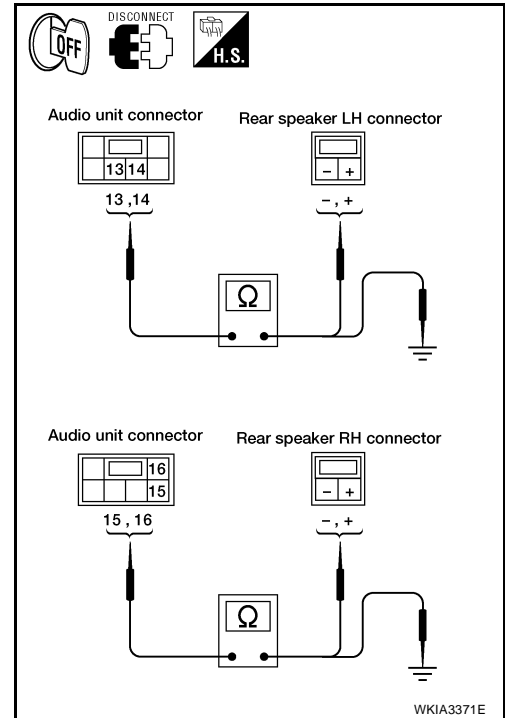
1. HARNESS CHECK

1. Turn ignition switch OFF.
2. Disconnect audio unit connector M44 and suspect speaker connector.
3. Check continuity between audio unit harness connector M44 terminal and suspect speaker harness connector terminal.

Terminals				Continuity
Audio unit		Speaker or tweeter		
Connector	Terminal	Connector	Terminal	
M44	13	D207	-	Yes
	14		+	
	15	D307	-	
	16		+	

4. Check continuity between audio unit harness connector M44 terminal and ground.

Terminals			Continuity
Audio unit		—	
Connector	Terminal		
M44	13	Ground	No
	14		
	15		
	16		



WKIA3371E

OK or NG

OK >> GO TO 2.

- NG >> ● Check connector housings for disconnected or loose terminals.
 ● Repair harness or connector.

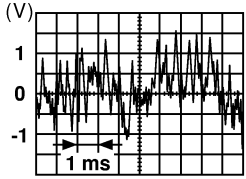
A
B
C
D
E
F
G
H
I
J
L
M

AV

AUDIO

2. REAR SPEAKER SIGNAL CHECK

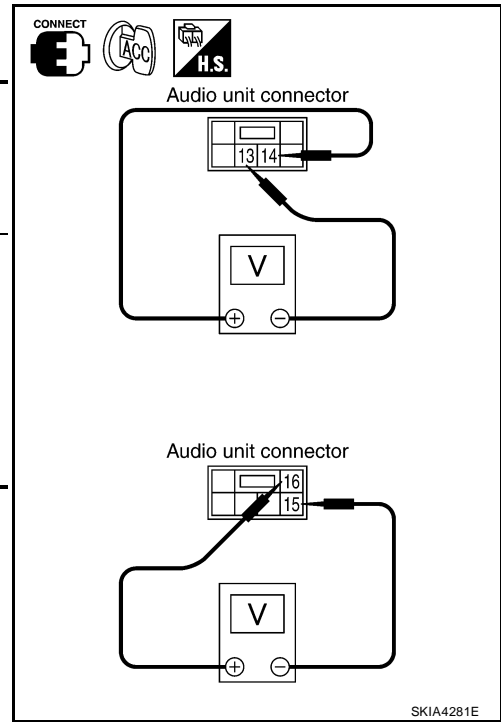
1. Connect audio unit connector and rear speaker connector.
2. Turn ignition switch to ACC.
3. Push "POWER" switch.
4. Check the signal between audio unit harness connector terminals with CONSULT-II or oscilloscope.

Terminals				Condi- tion	Reference signal
(+)		(-)			
Con- nector	Termi- nal	Con- nector	Terminal		
M44	14	M44	13	Receive audio signal	
	16		15		

SKIA0177E

OK or NG

- OK >> Replace rear door speaker. Refer to [AV-50, "REAR DOOR SPEAKER"](#).
- NG >> Replace audio unit. Refer to [AV-49, "Removal and Installation"](#).



AUDIO

Sound Is Not Heard From Front Door Speaker or Front Tweeter (Premium System)

EKS00E1T

1. HARNESS CHECK

1. Turn ignition switch OFF.
2. Disconnect audio amplifier connector B159 and suspect speaker connector.
3. Check continuity between audio amplifier harness connector terminal B159 and suspect speaker harness connector terminal.

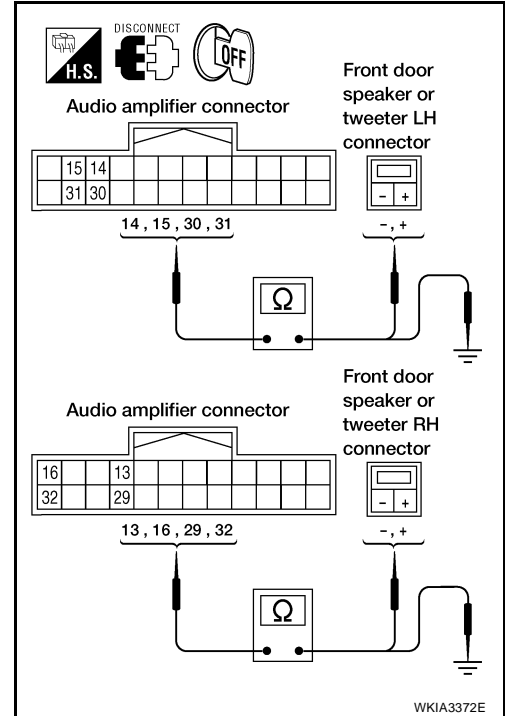
Terminals				Continuity
Audio amplifier		Speaker or tweeter		
Connector	Terminal	Connector	Terminal	
B159	15	D12	+	Yes
	31		-	
	16	D112	+	
	32		-	
	14	M109	+	
	30		-	
	13	M111	+	
	29		-	

4. Check continuity between audio amplifier harness connector terminal B159 and ground.

Terminals			Continuity
Audio amplifier		—	
Connector	Terminal		
B159	13	Ground	No
	14		
	15		
	16		
	29		
	30		
	31		
	32		

OK or NG

- OK >> GO TO 2.
 NG >> ● Check connector housings for disconnected or loose terminals.
 ● Repair harness or connector.



WKIA3372E

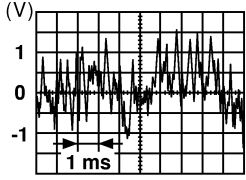
A
B
C
D
E
F
G
H
I
J
L
M

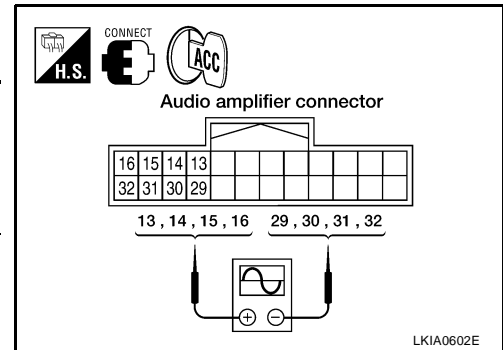
AV

AUDIO

2. FRONT SPEAKER SIGNAL CHECK

1. Connect audio amplifier connector B159 and suspect speaker connector.
2. Turn ignition switch to ACC.
3. Push "POWER" switch.
4. Check the signal between audio amplifier harness connector B159 terminals with CONSULT-II or oscilloscope.

Terminals				Condi- tion	Reference signal
(+)		(-)			
Con- nector	Termi- nal	Con- nector	Termi- nal		
B159	13	B159	29	Receive audio signal	
	14		30		
	15		31		
	16		32		



OK or NG

- OK >> Replace suspect speaker. Refer to [AV-49, "FRONT DOOR SPEAKER"](#) or [AV-50, "FRONT TWEETER"](#).
- NG >> GO TO 3.

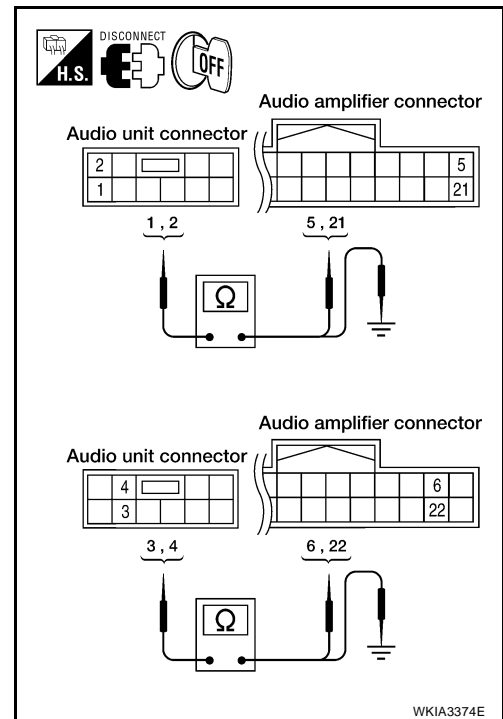
3. HARNESS CHECK

1. Turn ignition switch OFF.
2. Disconnect audio unit connector M43 and audio amplifier connector B159.
3. Check continuity between audio unit harness connector terminals and audio amplifier harness connector terminals.

Terminals				Continuity
Audio unit		Audio amplifier		
Connector	Terminal	Connector	Terminal	
M43	1	B159	6	Yes
	2		22	
	3		5	
	4		21	

4. Check continuity between audio unit harness connector terminals and ground.

Terminals			Continuity
Audio unit		—	
Connector	Terminal		
M43	1	Ground	No
	2		
	3		
	4		



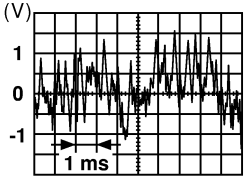
OK or NG

- OK >> GO TO 4.
- NG >> ● Check connector housings for disconnected or loose terminals.
● Repair harness or connector.

AUDIO

4. FRONT SPEAKER SIGNAL CHECK

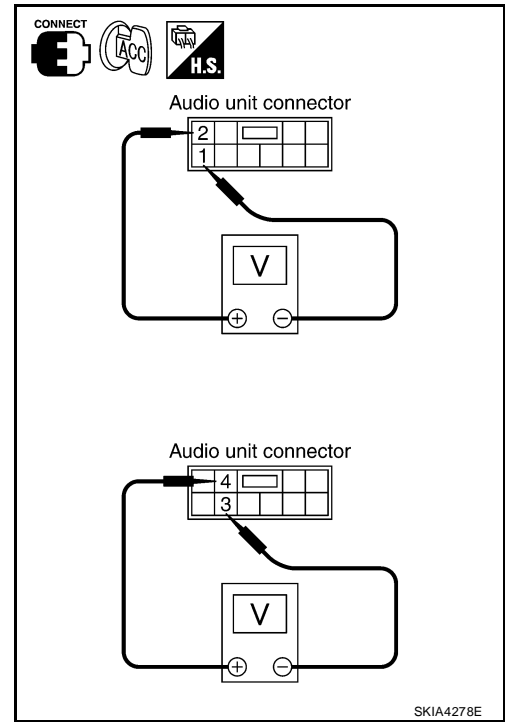
1. Connect audio unit connector and audio amplifier connector.
2. Turn ignition switch to ACC.
3. Push "POWER" switch.
4. Check the signal between audio unit harness connector terminals with CONSULT-II or oscilloscope.

Terminals				Condi- tion	Reference signal
(+)		(-)			
Con- nector	Termi- nal	Con- nector	Termi- nal		
	2		1	Receive audio signal	
M43	4	M43	3		

SKIA0177E

OK or NG

- OK >> Replace audio amplifier. Refer to [AV-49, "AUDIO AMPLIFIER"](#).
- NG >> Replace audio unit. Refer to [AV-49, "Removal and Installation"](#).



A
B
C
D
E
F
G
H
I
J
L
M

AV

AUDIO

Sound Is Not Heard From Rear Door Speaker or Rear Door Tweeter (Premium System)

EKS00E1U

1. HARNESS CHECK

1. Turn ignition switch OFF.
2. Disconnect audio amplifier connector B159 and suspect speaker connector.
3. Check continuity between audio amplifier harness connector terminal B159 and suspect speaker harness connector terminal.

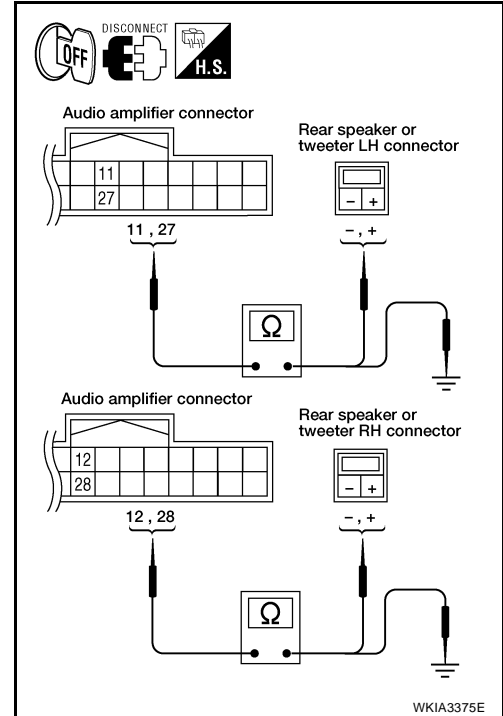
Terminals				Continuity
Audio amplifier		Speaker or tweeter		
Connector	Terminal	Connector	Terminal	
B159	11	D207	+	Yes
	27		-	
	12	D307	+	
	28		-	
	11	D208	+	
	27		-	
	12	D308	+	
	28		-	

4. Check continuity between audio amplifier harness connector B159 terminal and ground.

Terminals				Continuity
Audio amplifier		—		
Connector	Terminal			
B159	11	Ground		No
	27			
	12			
	28			

OK or NG

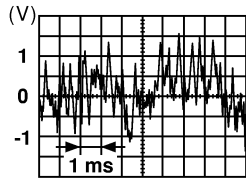
- OK >> GO TO 2.
 NG >> ● Check connector housings for disconnected or loose terminals.
 ● Repair harness or connector.



AUDIO

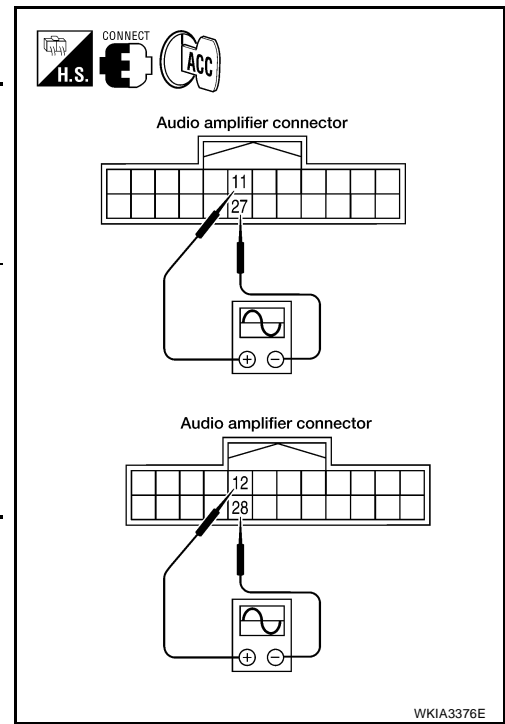
2. REAR SPEAKER SIGNAL CHECK

1. Connect audio amplifier connector B159 and suspect speaker connector.
2. Turn ignition switch to ACC.
3. Push "POWER" switch.
4. Check the signal between audio amplifier harness connector B159 terminals with CONSULT-II or oscilloscope.

Terminals				Condi- tion	Reference signal
(+)		(-)			
Con- nec- tor	Terminal	Con- nec- tor	Terminal		
B159	11	B159	27	Receive audio signal	
	12		28		

OK or NG

- OK >> Replace suspect speaker. Refer to [AV-50, "REAR DOOR TWEETER \(PREMIUM SYSTEM\)"](#) or [AV-50, "REAR DOOR SPEAKER"](#).
- NG >> GO TO 3.



WKIA3376E

A
B
C
D
E
F
G
H
I
J
L
M

AV

AUDIO

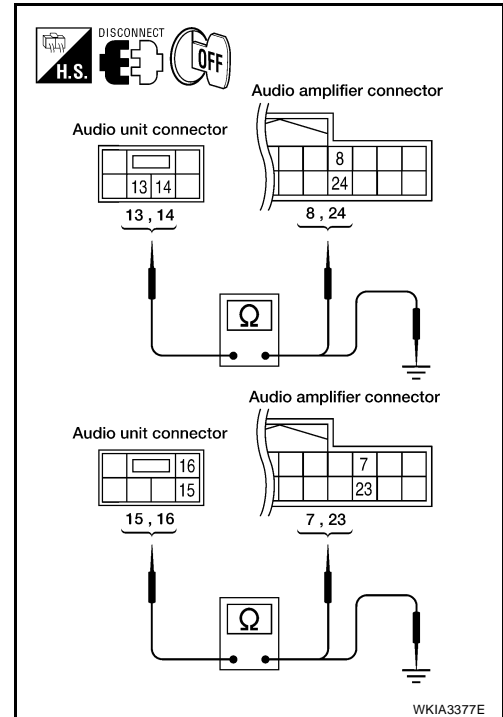
3. HARNESS CHECK

1. Turn ignition switch OFF.
2. Disconnect audio unit connector M44 and audio amplifier connector B159.
3. Check continuity between audio unit harness connector M44 terminals and audio amplifier harness connector B159 terminals.

Terminals				Continuity
Audio unit		Audio amplifier		
Connector	Terminal	Connector	Terminal	
M44	13	B159	8	Yes
	14		24	
	15		7	
	16		23	

4. Check continuity between audio unit harness connector terminal and ground.

Terminals			Continuity
Audio unit		—	
Connector	Terminal		
M44	13	Ground	No
	14		
	15		
	16		



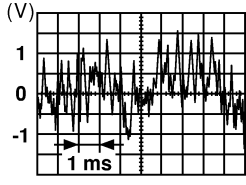
OK or NG

- OK >> GO TO 4.
- NG >> ● Check connector housings for disconnected or loose terminals.
● Repair harness or connector.

AUDIO

4. REAR SPEAKER SIGNAL CHECK

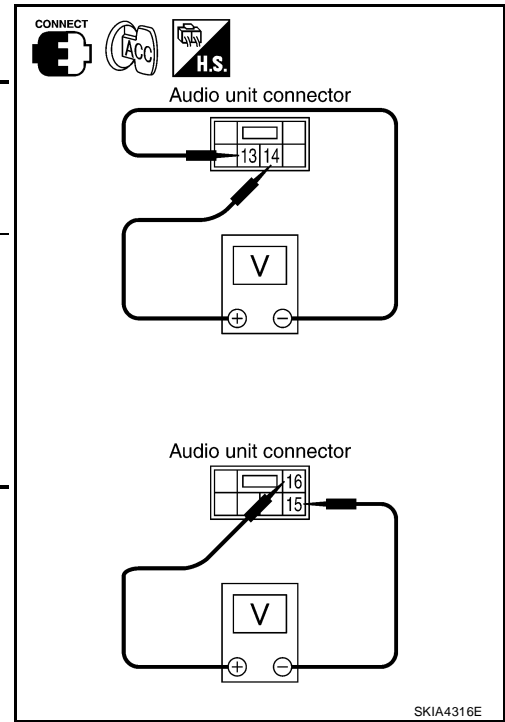
1. Connect audio unit connector M44 and audio amplifier connector B159.
2. Turn ignition switch to ACC.
3. Push "POWER" switch.
4. Check the signal between audio unit harness connector M44 terminals with CONSULT-II or oscilloscope.

Terminals				Condi- tion	Reference signal
(+)		(-)			
Con- nector	Terminal	Con- nector	Terminal		
M44	14	M44	13	Receive audio signal	
	16		15		

SKIA0177E

OK or NG

- OK >> Replace audio amplifier. Refer to [AV-49, "AUDIO AMPLIFIER"](#).
- NG >> Replace audio unit. Refer to [AV-49, "Removal and Installation"](#).



A
B
C
D
E
F
G
H
I
J
L
M

AUDIO

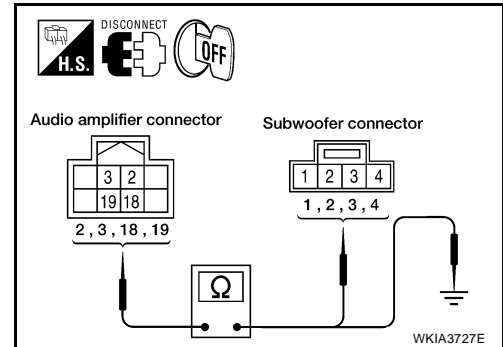
EKS00E1V

Sound Is Not Heard From Subwoofer (Premium System)

1. HARNESS CHECK

1. Turn ignition switch OFF.
2. Disconnect audio amplifier connector B158 and subwoofer connector B72.
3. Check continuity between audio amplifier harness connector terminal and subwoofer harness connector terminal.

Terminals				Continuity
Audio amplifier		Subwoofer		
Connector	Terminal	Connector	Terminal	
B158	2	B72	1	Yes
	3		3	
	18		2	
	19		4	



4. Check continuity between audio amplifier harness connector terminal and ground.

Terminals			Continuity
Audio amplifier		—	
Connector	Terminal		
B158	2	Ground	No
	3		
	18		
	19		

OK or NG

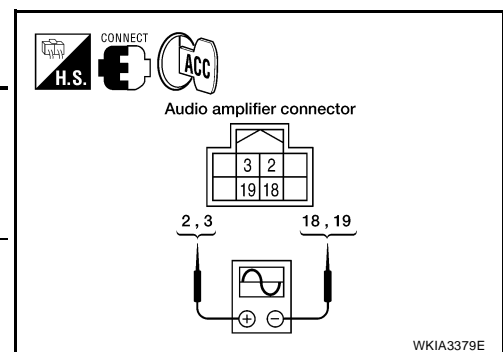
OK >> GO TO 2.

- NG >> ● Check connector housings for disconnected or loose terminals.
● Repair harness or connector.

2. SUBWOOFER SIGNAL CHECK

1. Connect audio amplifier connector and subwoofer connector.
2. Turn ignition switch to ACC.
3. Check the signal between audio amplifier harness connector terminals with CONSULT-II or oscilloscope.

Terminals				Condition	Reference signal
(+) (+)		(-) (-)			
Con-connector	Termi-nal	Con-connector	Termi-nal		
B158	2	B158	18	Receive audio signal	
	3		19		



OK or NG

OK >> Replace subwoofer. Refer to [AV-52, "SUBWOOFER \(PREMIUM SYSTEM\)"](#) .

NG >> Replace audio amplifier. Refer to [AV-49, "AUDIO AMPLIFIER"](#) .

AUDIO

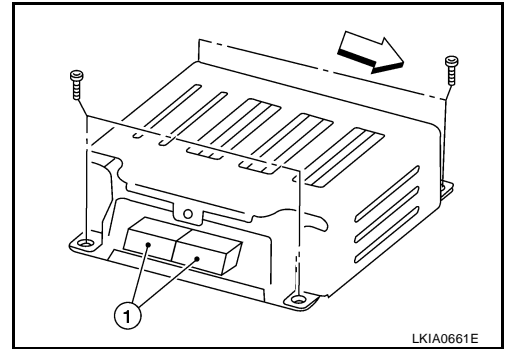
Removal and Installation

AUDIO AMPLIFIER

EKS00E1W

Removal

1. Remove passenger side front seat. Refer to [SE-10, "FRONT SEAT"](#) .
2. Remove audio amplifier and kick shield screws.
 - ⇒: Vehicle front
3. Disconnect the connectors (1) and remove audio amplifier from the bracket.

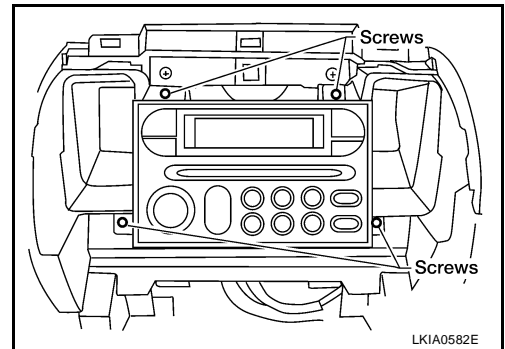


Installation

Installation is in the reverse order of removal.

AUDIO UNIT

1. Remove cluster lid C. Refer to [IP-11, "CLUSTER LID C"](#) .
2. Remove the audio unit screws, using power tool.
3. Pull out audio unit, then disconnect connectors.



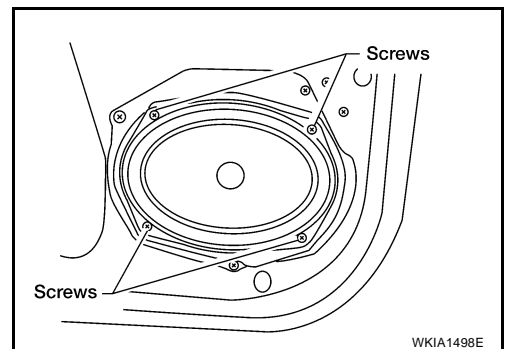
Installation

Installation is in the reverse order of removal.

FRONT DOOR SPEAKER

Removal

1. Remove door finisher. Refer to [EI-24, "DOOR FINISHER"](#) .
2. Remove the front door speaker screws.
3. Disconnect the connector and remove speaker from front door.



Installation

Installation is in the reverse order of removal.

A
B
C
D
E
F
G
H
I
J

AV

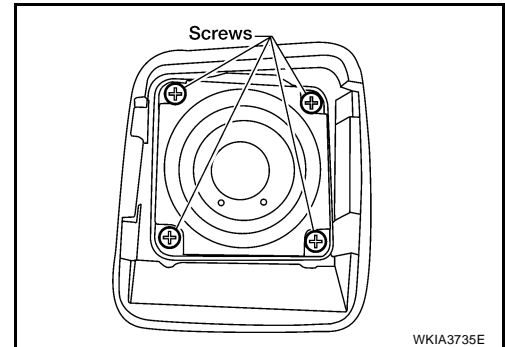
L
M

AUDIO

FRONT TWEETER

Removal

1. Remove the front tweeter grille.
2. Remove the front tweeter screws.
3. Disconnect the connector, and remove front tweeter from instrument panel.



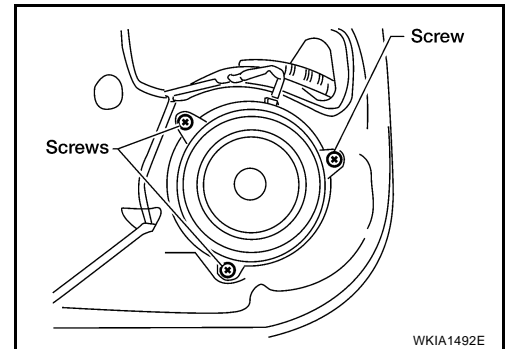
Installation

Installation is in the reverse order of removal.

REAR DOOR SPEAKER

Removal

1. Remove the rear door finisher. Refer to [EI-25, "REAR DOOR"](#).
2. Remove the rear door speaker screws.
3. Disconnect the connector and remove speaker from rear door.



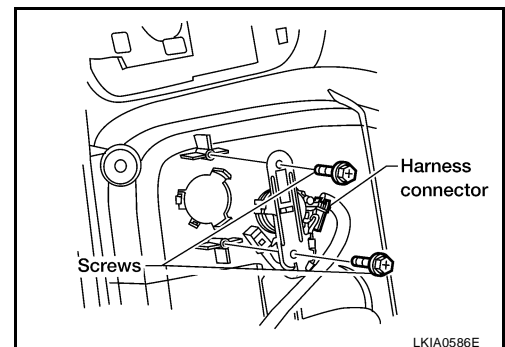
Installation

Installation is in the reverse order of removal.

REAR DOOR TWEETER (PREMIUM SYSTEM)

Removal

1. Remove rear door finisher. Refer to [EI-25, "REAR DOOR"](#).
2. Remove the rear door tweeter screws.
3. Remove rear door tweeter from rear door finisher.



Installation

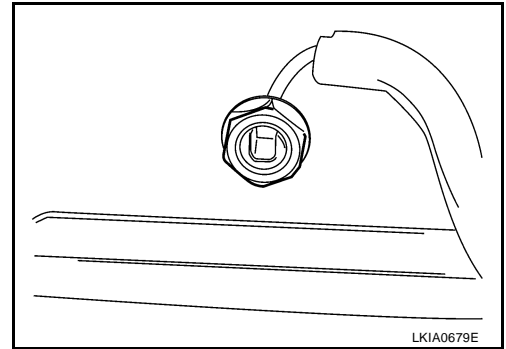
Installation is in the reverse order of removal.

AUDIO

SATELLITE RADIO ANTENNA

Removal

1. Lower headlining. Refer to [EI-30, "HEADLINING"](#) .
2. Disconnect satellite radio antenna connector.
3. Remove satellite radio antenna nut.
4. Remove satellite radio antenna.

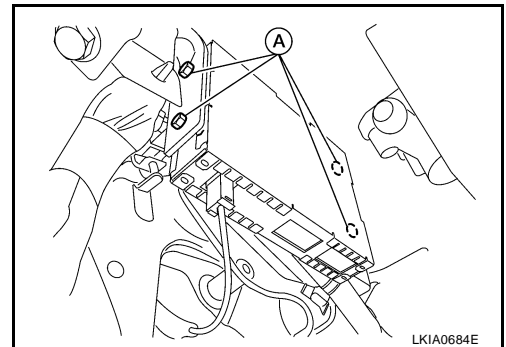


Installation

Installation is in the reverse order of removal.

SATELLITE RADIO TUNER

1. Disconnect battery negative terminal.
2. Disconnect satellite radio tuner connectors.
3. Remove satellite radio tuner screws, and remove satellite radio tuner.



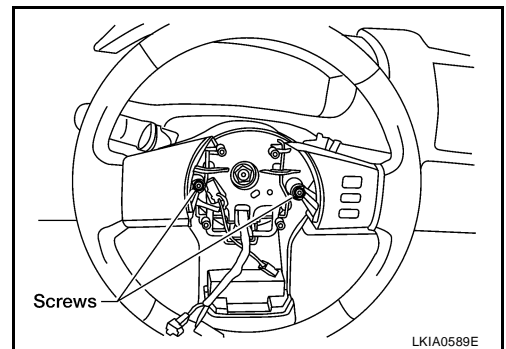
Installation

Installation is in the reverse order of removal.

STEERING WHEEL SWITCHES

Removal

1. Remove driver air bag module. Refer to [SRS-37, "Removal and Installation"](#) .
2. Remove steering wheel audio control switch assembly screws.
3. Disconnect the switch connector, and remove from steering wheel.



Installation

Installation is in the reverse order of removal.

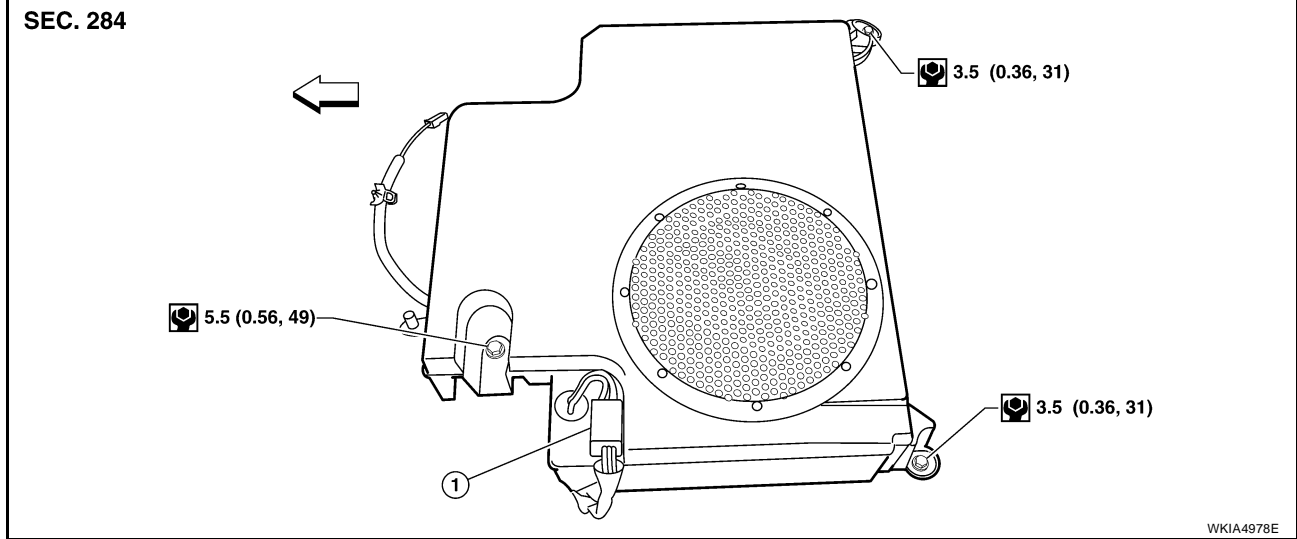
A
B
C
D
E
F
G
H
I
J

AV

L
M

AUDIO

SUBWOOFER (PREMIUM SYSTEM)



1. Connector

Removal

1. Remove the driver side front seat. Refer to [SE-10, "FRONT SEAT"](#) .
2. Remove the subwoofer bolts.
3. Disconnect the connector and remove the subwoofer.

Installation

Installation is in the reverse order of removal.

AUDIO ANTENNA

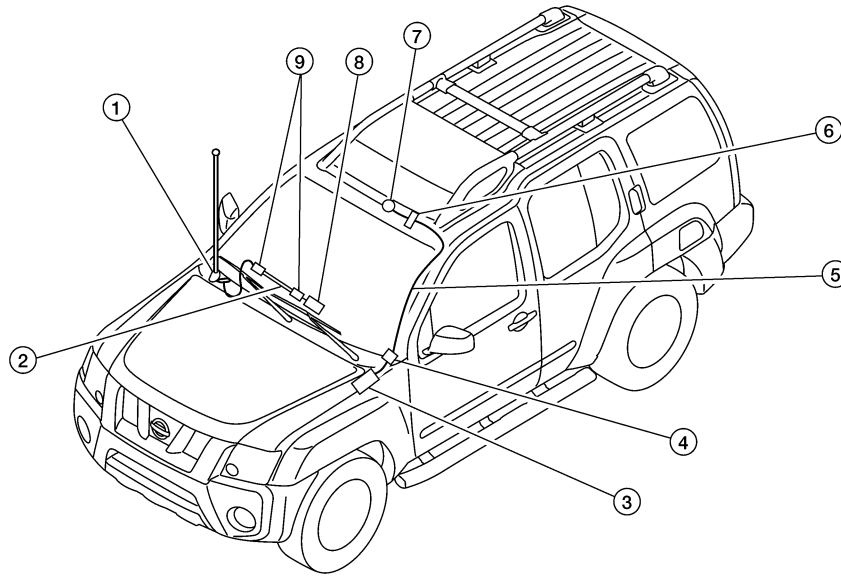
AUDIO ANTENNA

PFP:28200

Location of Audio Antenna System Components

EKS00E21

SEC. 280



WKIA5079E

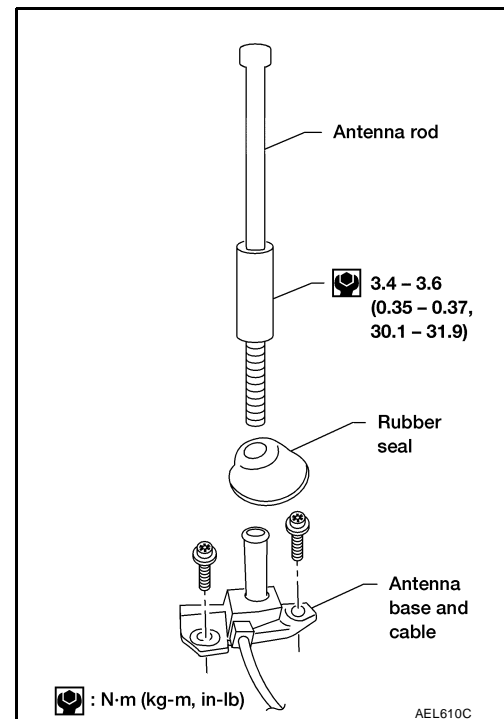
- | | | |
|------------------------------------|-----------------------------|---------------------------------------|
| 1. Audio antenna | 2. Antenna feeder | 3. Satellite radio tuner
M41, M129 |
| 4. Harness Connectors
M250, M68 | 5. Satellite antenna feeder | 6. Connector
M251 |
| 7. Satellite antenna | 8. Audio unit | 9. Harness connectors |

Removal and Installation AUDIO ANTENNA

EKS00E22

Removal

1. Remove lower glove box. Refer to [IP-14, "LOWER INSTRUMENT PANEL RH AND LOWER GLOVE BOX"](#).
2. Disconnect audio antenna cable from antenna feeder.
3. Remove antenna rod.
4. Remove rubber seal.
5. Remove cowl top. Refer to [EI-17, "COWL TOP"](#).
6. Remove fender protector. Refer to [EI-19, "FENDER PROTECTOR"](#).
7. Remove antenna base bolts.
8. Remove antenna base and cable.



AEL610C

AUDIO ANTENNA

Installation

Installation is in the reverse order of removal.

CAUTION:

Always properly tighten the antenna rod during installation or the antenna rod may bend or break during vehicle operation.