

SECTION **SE**  
SEAT

A  
B  
C  
D  
E  
F  
G  
H  
SE  
J  
K  
L  
M

CONTENTS

<b>PRECAUTIONS</b> .....	<b>2</b>	TRUNK .....	7
Precautions for Supplemental Restraint System (SRS) "AIR BAG" and "SEAT BELT PRE-TENSIONER" .....	2	SUNROOF/HEADLINING .....	7
Precautions for Work .....	2	OVERHEAD CONSOLE (FRONT AND REAR).....	7
<b>PREPARATION</b> .....	<b>3</b>	SEATS .....	7
Special Service Tool .....	3	UNDERHOOD .....	7
Commercial Service Tool .....	3	Diagnostic Worksheet .....	8
<b>SQUEAK AND RATTLE TROUBLE DIAGNOSES</b> .....	<b>4</b>	<b>FRONT SEAT</b> .....	<b>10</b>
Work Flow .....	4	Removal and Installation .....	10
CUSTOMER INTERVIEW .....	4	REMOVAL .....	13
DUPLICATE THE NOISE AND TEST DRIVE .....	5	INSTALLATION .....	13
CHECK RELATED SERVICE BULLETINS .....	5	Disassembly and Assembly .....	13
LOCATE THE NOISE AND IDENTIFY THE ROOT CAUSE .....	5	SEATBACK TRIM AND PAD .....	13
REPAIR THE CAUSE .....	5	REMOVAL OF SEATBACK ASSEMBLY .....	14
CONFIRM THE REPAIR .....	6	INSTALLATION OF SEATBACK ASSEMBLY ...	14
Generic Squeak and Rattle Troubleshooting .....	6	SEAT CUSHION TRIM AND PAD .....	14
INSTRUMENT PANEL .....	6	<b>REAR SEAT</b> .....	<b>16</b>
CENTER CONSOLE .....	6	Removal and Installation .....	16
DOORS .....	6	SEAT CUSHION ASSEMBLY .....	16
		SEAT BACK ASSEMBLY .....	16
		Disassembly and Assembly .....	17

# PRECAUTIONS

## PRECAUTIONS

PF0:00001

### Precautions for Supplemental Restraint System (SRS) “AIR BAG” and “SEAT BELT PRE-TENSIONER”

EIS0069P

The Supplemental Restraint System such as “AIR BAG” and “SEAT BELT PRE-TENSIONER”, used along with a front seat belt, helps to reduce the risk or severity of injury to the driver and front passenger for certain types of collision. This system includes seat belt switch inputs and dual stage front air bag modules. The SRS system uses the seat belt switches to determine the front air bag deployment, and may only deploy one front air bag, depending on the severity of a collision and whether the front occupants are belted or unbelted. Information necessary to service the system safely is included in the SRS and SB section of this Service Manual.

#### **WARNING:**

- To avoid rendering the SRS inoperative, which could increase the risk of personal injury or death in the event of a collision which would result in air bag inflation, all maintenance must be performed by an authorized NISSAN/INFINITI dealer.
- Improper maintenance, including incorrect removal and installation of the SRS, can lead to personal injury caused by unintentional activation of the system. For removal of Spiral Cable and Air Bag Module, see the SRS section.
- Do not use electrical test equipment on any circuit related to the SRS unless instructed to in this Service Manual. SRS wiring harnesses can be identified by yellow and/or orange harnesses or harness connectors.

### Precautions for Work

EIS0069Q

- When removing or disassembling each component, be careful not to damage or deform it. If a component may be subject to interference, be sure to protect it with a shop cloth.
- When removing (disengaging) components with a screwdriver or similar tool, be sure to wrap the component with a shop cloth or vinyl tape to protect it.
- Protect the removed parts with a shop cloth and keep them.
- Replace a deformed or damaged clip.
- If a part is specified as a non-reusable part, always replace it with new one.
- Be sure to tighten bolts and nuts securely to the specified torque.
- After re-installation is completed, be sure to check that each part works normally.
- Follow the steps below to clean components.
  - Water soluble foul: Dip a soft cloth into lukewarm water, and wring the water out of the cloth to wipe the fouled area.  
Then rub with a soft and dry cloth.
  - Oily foul: Dip a soft cloth into lukewarm water with mild detergent (concentration: within 2 to 3%), and wipe the fouled area.  
Then dip a cloth into fresh water, and wring the water out of the cloth to wipe the detergent off. Then rub with a soft and dry cloth.
- Do not use organic solvent such as thinner, benzene, alcohol, or gasoline.
- For genuine leather seats, use a genuine leather seat cleaner.

# PREPARATION

## PREPARATION

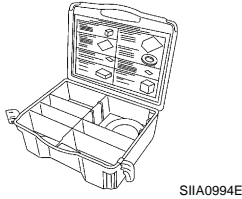
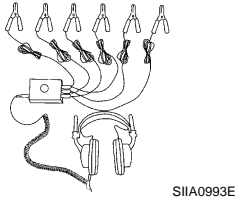
PF0:00002

### Special Service Tool

EIS0069R

The actual shapes of Kent-Moore tools may differ from those of special service tools illustrated here.

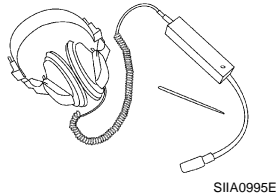
Tool number (Kent-Moore No.) Tool name	Description
— (J-39570) Chassis ear	Locating the noise
— (J-43980) NISSAN Squeak and Rattle Kit	Repairing the cause of noise



## Commercial Service Tool

EIS0069S

(Kent-Moore No.) Tool name	Description
(J-39565) Engine ear	Locating the noise



A  
B  
C  
D  
E  
F  
G  
H  
SE  
J  
K  
L  
M

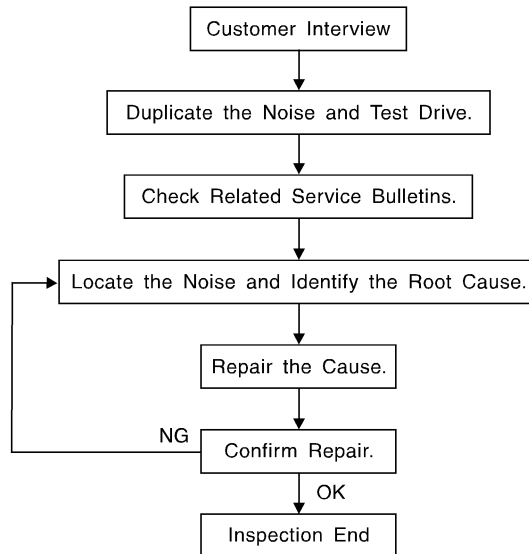
# SQUEAK AND RATTLE TROUBLE DIAGNOSES

## SQUEAK AND RATTLE TROUBLE DIAGNOSES

PF0:0000

### Work Flow

EIS0069T



SBT842

### CUSTOMER INTERVIEW

Interview the customer if possible, to determine the conditions that exist when the noise occurs. Use the Diagnostic Worksheet during the interview to document the facts and conditions when the noise occurs and any customer's comments; refer to [SE-8, "Diagnostic Worksheet"](#). This information is necessary to duplicate the conditions that exist when the noise occurs.

- The customer may not be able to provide a detailed description or the location of the noise. Attempt to obtain all the facts and conditions that exist when the noise occurs (or does not occur).
- If there is more than one noise in the vehicle, be sure to diagnose and repair the noise that the customer is concerned about. This can be accomplished by test driving the vehicle with the customer.
- After identifying the type of noise, isolate the noise in terms of its characteristics. The noise characteristics are provided so the customer, service adviser and technician are all speaking the same language when defining the noise.
- Squeak —(Like tennis shoes on a clean floor)  
Squeak characteristics include the light contact/fast movement/brought on by road conditions/hard surfaces = higher pitch noise/softer surfaces = lower pitch noises/edge to surface = chirping.
- Creak—(Like walking on an old wooden floor)  
Creak characteristics include firm contact/slow movement/twisting with a rotational movement/pitch dependent on materials/often brought on by activity.
- Rattle—(Like shaking a baby rattle)  
Rattle characteristics include the fast repeated contact/vibration or similar movement/loose parts/missing clip or fastener/incorrect clearance.
- Knock —(Like a knock on a door)  
Knock characteristics include hollow sounding/sometimes repeating/often brought on by driver action.
- Tick—(Like a clock second hand)  
Tick characteristics include gentle contacting of light materials/loose components/can be caused by driver action or road conditions.
- Thump—(Heavy, muffled knock noise)  
Thump characteristics include softer knock/dead sound often brought on by activity.
- Buzz—(Like a bumble bee)  
Buzz characteristics include high frequency rattle/firm contact.
- Often the degree of acceptable noise level will vary depending upon the person. A noise that you may judge as acceptable may be very irritating to the customer.
- Weather conditions, especially humidity and temperature, may have a great effect on noise level.

# SQUEAK AND RATTLE TROUBLE DIAGNOSES

## DUPLICATE THE NOISE AND TEST DRIVE

If possible, drive the vehicle with the customer until the noise is duplicated. Note any additional information on the Diagnostic Worksheet regarding the conditions or location of the noise. This information can be used to duplicate the same conditions when you confirm the repair.

If the noise can be duplicated easily during the test drive, to help identify the source of the noise, try to duplicate the noise with the vehicle stopped by doing one or all of the following:

- 1) Close a door.
  - 2) Tap or push/pull around the area where the noise appears to be coming from.
  - 3) Rev the engine.
  - 4) Use a floor jack to recreate vehicle "twist".
  - 5) At idle, apply engine load (electrical load, half-clutch on M/T model, drive position on A/T model).
  - 6) Raise the vehicle on a hoist and hit a tire with a rubber hammer.
- Drive the vehicle and attempt to duplicate the conditions the customer states exist when the noise occurs.
  - If it is difficult to duplicate the noise, drive the vehicle slowly on an undulating or rough road to stress the vehicle body.

## CHECK RELATED SERVICE BULLETINS

After verifying the customer concern or symptom, check ASIST for Technical Service Bulletins (TSBs) related to that concern or symptom.

If a TSB relates to the symptom, follow the procedure to repair the noise.

## LOCATE THE NOISE AND IDENTIFY THE ROOT CAUSE

1. Narrow down the noise to a general area. To help pinpoint the source of the noise, use a listening tool (Chassis Ear: J-39570, Engine Ear: J-39565 and mechanic's stethoscope).
2. Narrow down the noise to a more specific area and identify the cause of the noise by:
  - removing the components in the area that you suspect the noise is coming from. Do not use too much force when removing clips and fasteners, otherwise clips and fasteners can be broken or lost during the repair, resulting in the creation of new noise.
  - tapping or pushing/pulling the component that you suspect is causing the noise. Do not tap or push/pull the component with excessive force, otherwise the noise will be eliminated only temporarily.
  - feeling for a vibration with your hand by touching the component(s) that you suspect is (are) causing the noise.
  - placing a piece of paper between components that you suspect are causing the noise.
  - looking for loose components and contact marks.  
Refer to [SE-6, "Generic Squeak and Rattle Troubleshooting"](#).

## REPAIR THE CAUSE

- If the cause is a loose component, tighten the component securely.
- If the cause is insufficient clearance between components:
  - separate components by repositioning or loosening and retightening the component, if possible.
  - insulate components with a suitable insulator such as urethane pads, foam blocks, felt cloth tape or urethane tape. A NISSAN Squeak and Rattle Kit (J-43980) is available through your authorized NISSAN Parts Department.

### CAUTION:

**Do not use excessive force as many components are constructed of plastic and may be damaged.**

**Always check with the Parts Department for the latest parts information.**

**The following materials are contained in the NISSAN Squeak and Rattle Kit (J-43980). Each item can be ordered separately as needed.**

**URETHANE PADS [1.5 mm (0.059 in) thick]**

**Insulates connectors, harness, etc.**

**76268-9E005: 100×135 mm (3.94×5.31 in)/76884-71L01: 60×85 mm (2.36×3.35 in)/76884-71L02: 15×25 mm (0.59×0.98 in)**

**INSULATOR (Foam blocks)**

**Insulates components from contact. Can be used to fill space behind a panel.**

**73982-9E000: 45 mm (1.77 in) thick, 50×50 mm (1.97×1.97 in)/73982-50Y00: 10 mm (0.39 in) thick, 50×50 mm (1.97×1.97 in)**

**INSULATOR (Light foam block)**

# SQUEAK AND RATTLE TROUBLE DIAGNOSES

**80845-71L00:** 30 mm (1.18 in) thick, 30×50 mm (1.18×1.97 in)

## FELT CLOTH TAPE

Used to insulate where movement does not occur. Ideal for instrument panel applications.

**68370-4B000:** 15×25 mm (0.59×0.98 in) pad/**68239-13E00:** 5 mm (0.20 in) wide tape roll. The following materials not found in the kit can also be used to repair squeaks and rattles.

## UHMW (TEFLON) TAPE

Insulates where slight movement is present. Ideal for instrument panel applications.

## SILICONE GREASE

Used instead of UHMW tape that will be visible or not fit.

**Note:** Will only last a few months.

## SILICONE SPRAY

Use when grease cannot be applied.

## DUCT TAPE

Use to eliminate movement.

## CONFIRM THE REPAIR

Confirm that the cause of a noise is repaired by test driving the vehicle. Operate the vehicle under the same conditions as when the noise originally occurred. Refer to the notes on the Diagnostic Worksheet.

## Generic Squeak and Rattle Troubleshooting

EIS0069U

Refer to Table of Contents for specific component removal and installation information.

## INSTRUMENT PANEL

Most incidents are caused by contact and movement between:

1. The cluster lid A and instrument panel
2. Acrylic lens and combination meter housing
3. Instrument panel to front pillar garnish
4. Instrument panel to windshield
5. Instrument panel mounting pins
6. Wiring harnesses behind the combination meter
7. A/C defroster duct and duct joint

These incidents can usually be located by tapping or moving the components to duplicate the noise or by pressing on the components while driving to stop the noise. Most of these incidents can be repaired by applying felt cloth tape or silicone spray (in hard to reach areas). Urethane pads can be used to insulate wiring harness.

### CAUTION:

**Do not use silicone spray to isolate a squeak or rattle. If you saturate the area with silicone, you will not be able to recheck the repair.**

## CENTER CONSOLE

Components to pay attention to include:

1. Shifter assembly cover to finisher
2. A/C control unit and cluster lid C
3. Wiring harnesses behind audio and A/C control unit

The instrument panel repair and isolation procedures also apply to the center console.

## DOORS

Pay attention to the:

1. Finisher and inner panel making a slapping noise
2. Inside handle escutcheon to door finisher
3. Wiring harnesses tapping
4. Door striker out of alignment causing a popping noise on starts and stops

Tapping or moving the components or pressing on them while driving to duplicate the conditions can isolate many of these incidents. You can usually insulate the areas with felt cloth tape or insulator foam blocks from the NISSAN Squeak and Rattle Kit (J-43980) to repair the noise.

# SQUEAK AND RATTLE TROUBLE DIAGNOSES

## TRUNK

Trunk noises are often caused by a loose jack or loose items put into the trunk by the owner. In addition look for:

1. Trunk lid bumpers out of adjustment
2. Trunk lid striker out of adjustment
3. The trunk lid torsion bars knocking together
4. A loose license plate or bracket

Most of these incidents can be repaired by adjusting, securing or insulating the item(s) or component(s) causing the noise.

## SUNROOF/HEADLINING

Noises in the sunroof/headlining area can often be traced to one of the following:

1. Sunroof lid, rail, linkage or seals making a rattle or light knocking noise
2. Sun visor shaft shaking in the holder
3. Front or rear windshield touching headliner and squeaking

Again, pressing on the components to stop the noise while duplicating the conditions can isolate most of these incidents. Repairs usually consist of insulating with felt cloth tape.

## OVERHEAD CONSOLE (FRONT AND REAR)

Overhead console noises are often caused by the console panel clips not being engaged correctly. Most of these incidents are repaired by pushing up on the console at the clip locations until the clips engage.

In addition look for:

1. Loose harness or harness connectors.
2. Front console map/reading lamp lense loose.
3. Loose screws at console attachment points.

## SEATS

When isolating seat noise it's important to note the position the seat is in and the load placed on the seat when the noise is present. These conditions should be duplicated when verifying and isolating the cause of the noise.

Cause of seat noise include:

1. Headrest rods and holder
2. A squeak between the seat pad cushion and frame
3. The rear seatback lock and bracket

These noises can be isolated by moving or pressing on the suspected components while duplicating the conditions under which the noise occurs. Most of these incidents can be repaired by repositioning the component or applying urethane tape to the contact area.

## UNDERHOOD

Some interior noise may be caused by components under the hood or on the engine wall. The noise is then transmitted into the passenger compartment.

Causes of transmitted underhood noise include:

1. Any component mounted to the engine wall
2. Components that pass through the engine wall
3. Engine wall mounts and connectors
4. Loose radiator mounting pins
5. Hood bumpers out of adjustment
6. Hood striker out of adjustment

These noises can be difficult to isolate since they cannot be reached from the interior of the vehicle. The best method is to secure, move or insulate one component at a time and test drive the vehicle. Also, engine RPM or load can be changed to isolate the noise. Repairs can usually be made by moving, adjusting, securing, or insulating the component causing the noise.

A

B

C

D

E

F

G

H

SE

J

K

L

M

# SQUEAK AND RATTLE TROUBLE DIAGNOSES

## Diagnostic Worksheet

EIS0069V



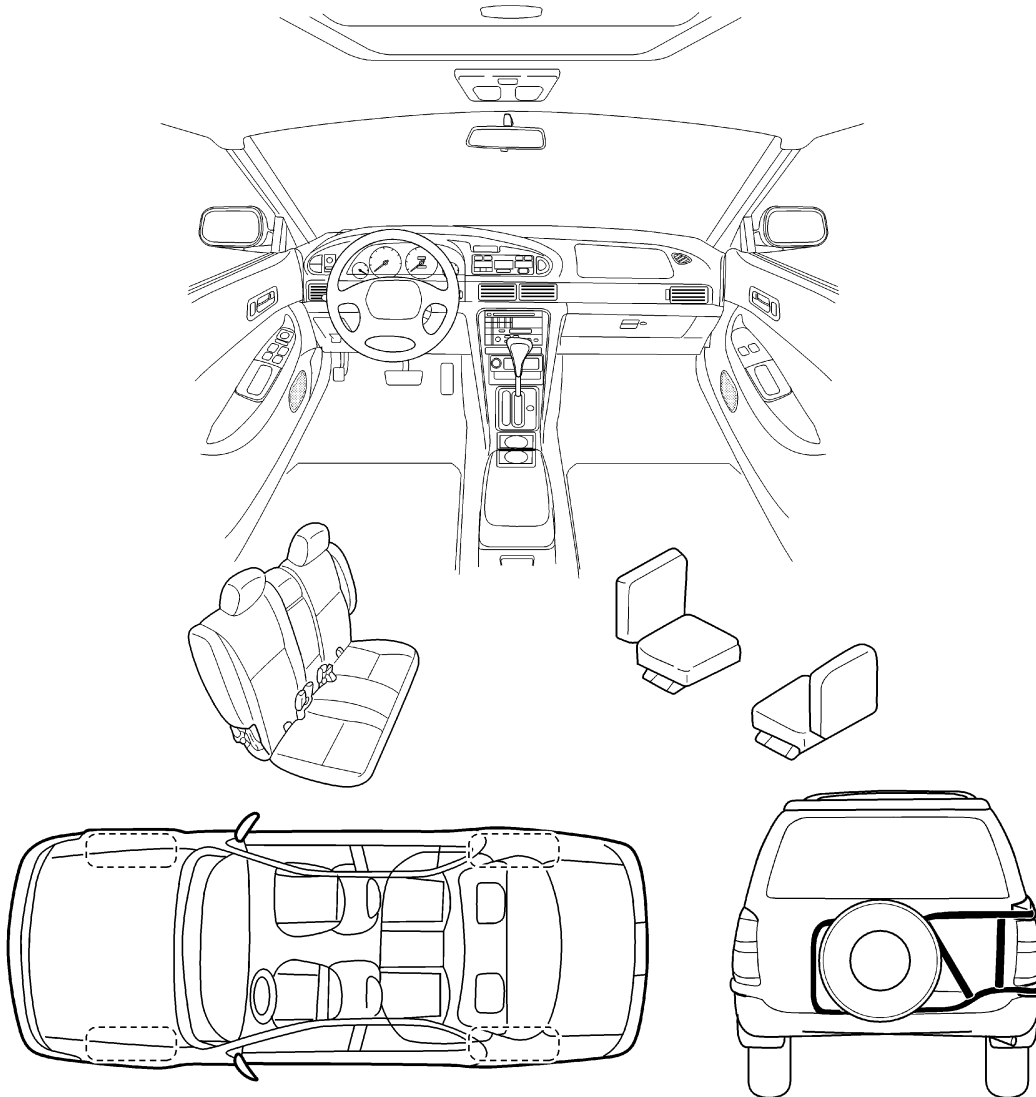
### SQUEAK & RATTLE DIAGNOSTIC WORKSHEET

Dear Nissan Customer:

We are concerned about your satisfaction with your Nissan vehicle. Repairing a squeak or rattle sometimes can be very difficult. To help us fix your Nissan right the first time, please take a moment to note the area of the vehicle where the squeak or rattle occurs and under what conditions. You may be asked to take a test drive with a service advisor or technician to ensure we confirm the noise you are hearing.

#### I. WHERE DOES THE NOISE COME FROM? (circle the area of the vehicle)

The illustrations are for reference only, and may not reflect the actual configuration of your vehicle.



Continue to the back of the worksheet and briefly describe the location of the noise or rattle. In addition, please indicate the conditions which are present when the noise occurs.

LIWA0276E



# SQUEAK AND RATTLE TROUBLE DIAGNOSES

## SQUEAK & RATTLE DIAGNOSTIC WORKSHEET- page 2

Briefly describe the location where the noise occurs:

---

---

---

### II. WHEN DOES IT OCCUR? (check the boxes that apply)

- |  |   |
|--|---|
| <input type="checkbox"/> anytime                             | <input type="checkbox"/> after sitting out in the sun |
| <input type="checkbox"/> 1 <sup>st</sup> time in the morning | <input type="checkbox"/> when it is raining or wet    |
| <input type="checkbox"/> only when it is cold outside        | <input type="checkbox"/> dry or dusty conditions      |
| <input type="checkbox"/> only when it is hot outside         | <input type="checkbox"/> other: _____                 |

### III. WHEN DRIVING:

- through driveways
- over rough roads
- over speed bumps
- only at about \_\_\_\_ mph
- on acceleration
- coming to a stop
- on turns : left, right or either (circle)
- with passengers or cargo
- other: \_\_\_\_\_
- after driving \_\_\_\_ miles or \_\_\_\_ minutes

### IV. WHAT TYPE OF NOISE?

- squeak (like tennis shoes on a clean floor)
- creak (like walking on an old wooden floor)
- rattle (like shaking a baby rattle)
- knock (like a knock on a door)
- tick (like a clock second hand)
- thump (heavy, muffled knock noise)
- buzz (like a bumble bee)

### TO BE COMPLETED BY DEALERSHIP PERSONNEL

#### Test Drive Notes:

---

---

	<u>YES</u>	<u>NO</u>	Initials of person <u>performing</u>
Vehicle test driven with customer	<input type="checkbox"/>	<input type="checkbox"/>	_____
- Noise verified on test drive	<input type="checkbox"/>	<input type="checkbox"/>	_____
- Noise source located and repaired	<input type="checkbox"/>	<input type="checkbox"/>	_____
- Follow up test drive performed to confirm repair	<input type="checkbox"/>	<input type="checkbox"/>	_____

VIN: \_\_\_\_\_ Customer Name: \_\_\_\_\_

W.O. #: \_\_\_\_\_ Date: \_\_\_\_\_

SBT844

**This form must be attached to Work Order**

# FRONT SEAT

PF8:87000

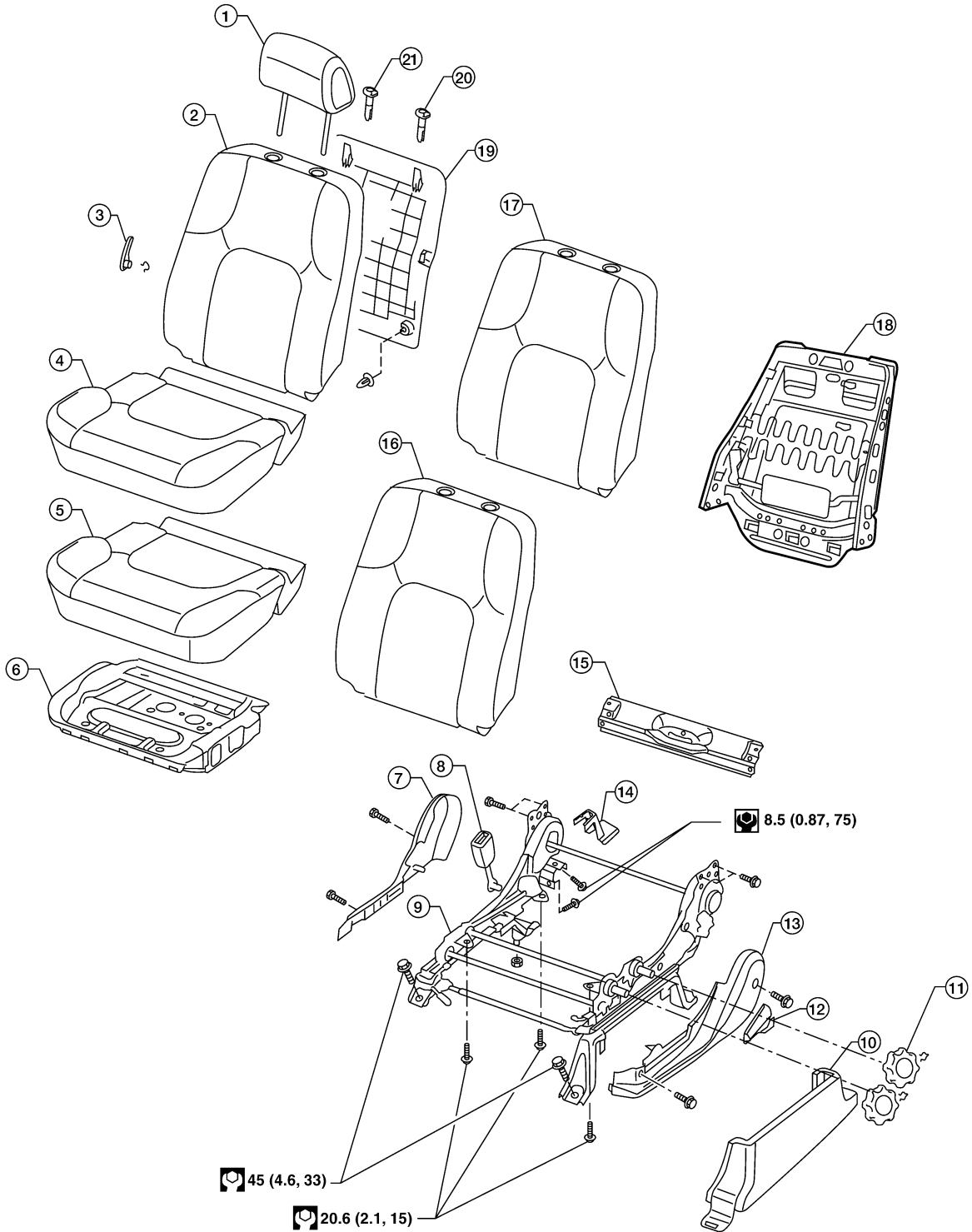
EIS006BA

## FRONT SEAT

### Removal and Installation

#### Driver Seat

SEC. 870



# FRONT SEAT

---

1. Headrest	2. Seatback assembly with side air bag	3. Lumbar support lever	A
4. Seat cushion trim	5. Seat cushion pad	6. Seat cushion frame	
7. Seat cushion inner finisher	8. Seat belt buckle	9. Driver seat slide assembly	B
10. Outer pedestal finisher	11. Seat cushion adjusting knobs	12. Seatback recline release handle	
13. Seat cushion outer finisher	14. Leg cover	15. Seat cushion rear finisher	B
16. Seatback trim without side air bag	17. Seatback pad without side air bag	18. Seatback frame without side air bag	
19. Seatback board	20. Headrest guide	21. Locking headrest guide	C

D

E

F

G

H

**SE**

J

K

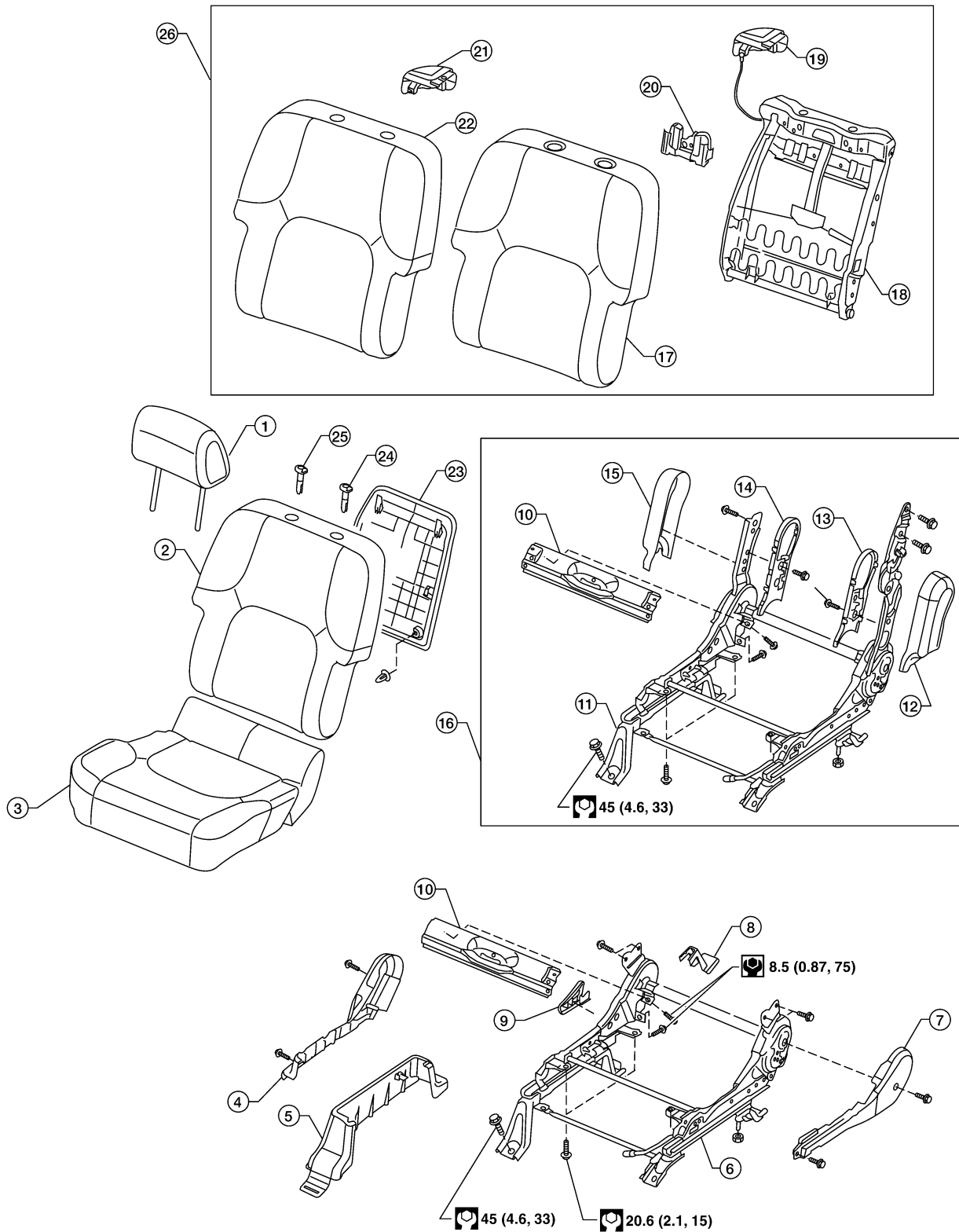
L

M

# FRONT SEAT

## Passenger Seat

SEC. 870



- |                                |  |                                     |
|--------------------------------|--|-------------------------------------|
| 1. Headrest                    | 2. Seatback assembly with side air bag | 3. Seat cushion assembly            |
| 4. Seat cushion outer finisher | 5. Outer pedestal finisher             | 6. Manual seat frame slide assembly |

LIA2106E

# FRONT SEAT

- |   |  |   |
|---|--|---|
| 7. Seat cushion inner cover                   | 8. Leg cover                               | 9. Seatback recline release lever       |
| 10. Seat cushion rear finisher                | 11. Fold flat seat frame                   | 12. Inboard reclining arm outer cover   |
| 13. Inboard reclining arm inner cover         | 14. Outboard reclining arm inner cover     | 15. Outboard reclining arm outer cover  |
| 16. Fold flat seat frame slide assembly       | 17. Seatback pad without side air bag      | 18. Seatback frame without side air bag |
| 19. Seatback fold flat release lever assembly | 20. Damper assembly                        | 21. Front seatback lever                |
| 22. Seatback trim                             | 23. Seatback board                         | 24. Locking headrest guide              |
| 25. Headrest guide                            | 26. Seatback assembly without side air bag |   |

## REMOVAL

When removing or installing the seat trim, handle it carefully to keep dirt out and avoid damage.

### CAUTION:

- Before removing the front seat, turn the ignition switch off, disconnect both battery cables and wait at least 3 minutes.
- Do not drop, tilt, or bump the side air bag module while installing the seat. Always handle it with care.
- After front side air bag module inflates, front seatback assembly must be replaced.
- Front passenger seat is equipped with an Occupant Classification System sensor and control module. Do not disassemble front passenger seat cushion assembly or remove the trim as this will affect the Occupant Classification System calibration.
- Always replace passenger seat cushion as an assembly.

1. Slide the seat until the four body mounting bolts are visible and a tool can be inserted.

### NOTE:

- If disassembling the seat after removal, set the front/rear cushion lifters to the top position.

2. Disconnect both battery cables and wait at least 3 minutes.
3. Disconnect the side air bag module harness connector.
4. Remove the four body mounting bolts.
5. Disconnect the power seat harness connectors and remove the seat from the vehicle.

### NOTE:

When removing and installing the seat, use shop cloths to protect the vehicle from damage.

## INSTALLATION

- Installation is in the reverse order of removal.

## Disassembly and Assembly SEATBACK TRIM AND PAD

EIS006BB

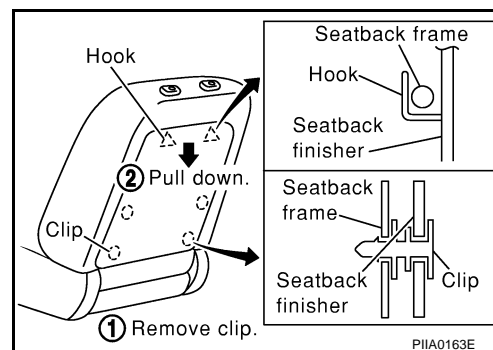
### NOTE:

Only complete seatback assemblies can be replaced on vehicles equipped with side air bags.

### NOTE:

Be sure to set the front/rear cushion lifter to the top position.

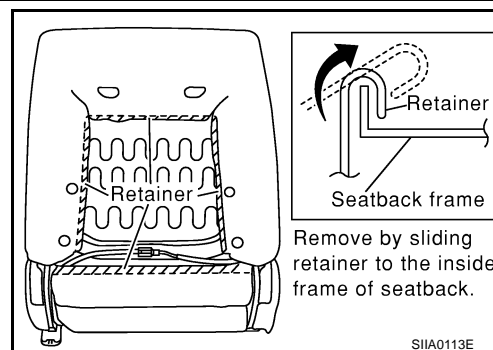
1. Remove the seatback board from the back of the seatback.



PIIA0163E

## FRONT SEAT

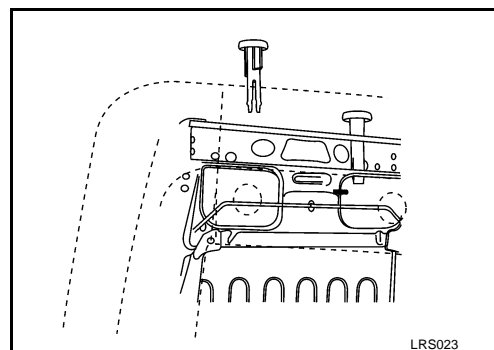
2. Remove the retainer.



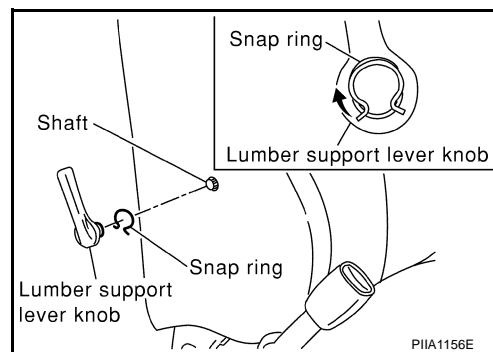
3. Remove the headrest.
4. From inside of the seatback, squeeze the headrest holder tabs at the base of the stay pipe and pull the up to remove.

**NOTE:**

Before installing the headrest holder, check its orientation (front/rear and right/left).



5. Remove the snap ring and the lumbar support lever knob.



6. Remove the seatback trim and pad assembly. Remove the hog ring to separate the seatback trim from the pad.

### REMOVAL OF SEATBACK ASSEMBLY

1. After completing the steps 1 and 2 of "Seatback Trim and Pad", remove the side air bag harness connector from the seat cushion.
2. Remove the mounting bolts (2 for each side) and seatback assembly.

### INSTALLATION OF SEATBACK ASSEMBLY

- Installation is in the reverse order of removal.

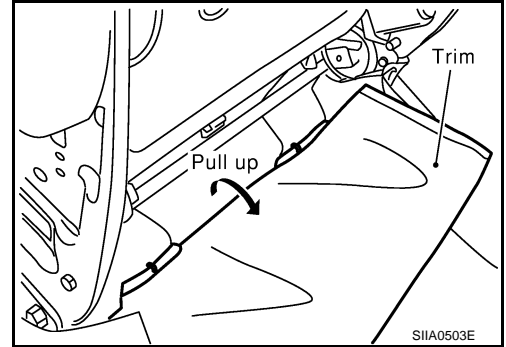
### SEAT CUSHION TRIM AND PAD

**CAUTION:**

- Front passenger seat is equipped with an Occupant Classification System sensor and control module. Do not disassemble front passenger seat cushion assembly or remove the trim as this will affect the Occupant Classification System calibration.
- Always replace passenger seat cushion as an assembly.
- When removed, the passenger seat cushion must always be placed pan side UP to prevent damage.

## FRONT SEAT

- During installation, the wire harness clips must be reinstalled in the holes they were originally in. Do not add additional clips.
  - The Occupant Classification System control module can only be replaced as part of the seat cushion assembly.
1. Remove the recline release lever.
  2. Remove four bolts and the seat cushion assembly.
    - On the fold flat passenger seat it is necessary to unclip the rear flap j-clip from the seat pan.



3. On the drivers seat only, after removing the seat cushion trim and pad, remove the hog rings to separate the trim cover from the pad.

A  
B  
C  
D  
E  
F  
G  
H  
J  
K  
L  
M

SE

# REAR SEAT

PFP:88300

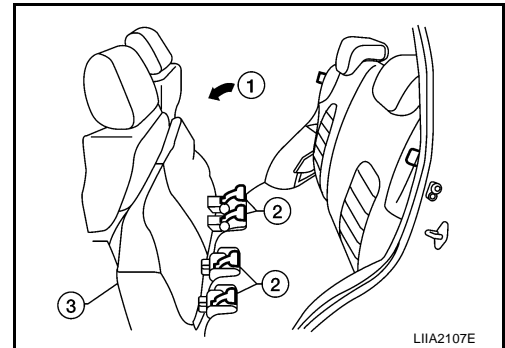
EIS006BC

## REAR SEAT

### Removal and Installation SEAT CUSHION ASSEMBLY

#### Removal

1. Tilt seat cushion forward.
2. Lift cushion lock handles.
3. Remove seat cushion assembly



#### Installation

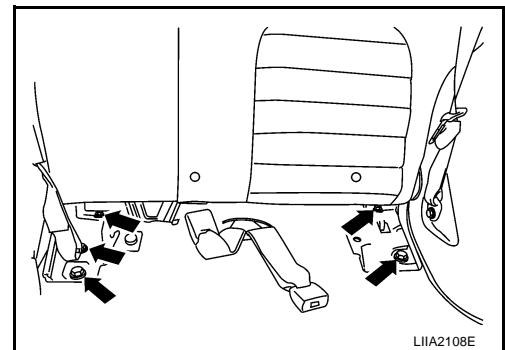
Installation is in the reverse order of removal.

### SEAT BACK ASSEMBLY

#### Removal

1. Remove the luggage floor storage tray. Refer to [EI-35, "Removal and Installation"](#).
2. Tilt the seat cushion forward.
3. Remove the seat belt buckle bolt, seatback bolts and assembly.

**Seatback bolts : 45 N·m (4.6 kg·m, 33 ft·lb)**



#### Installation

Installation is in the reverse order of removal.

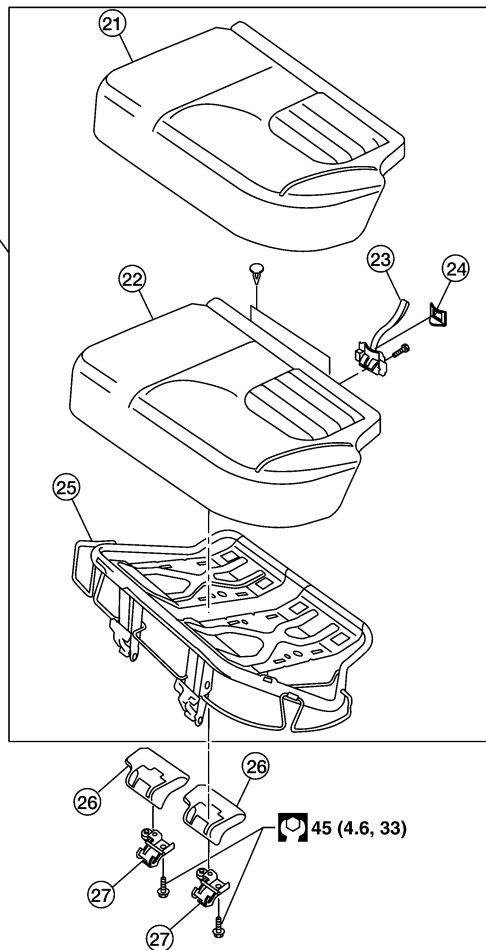
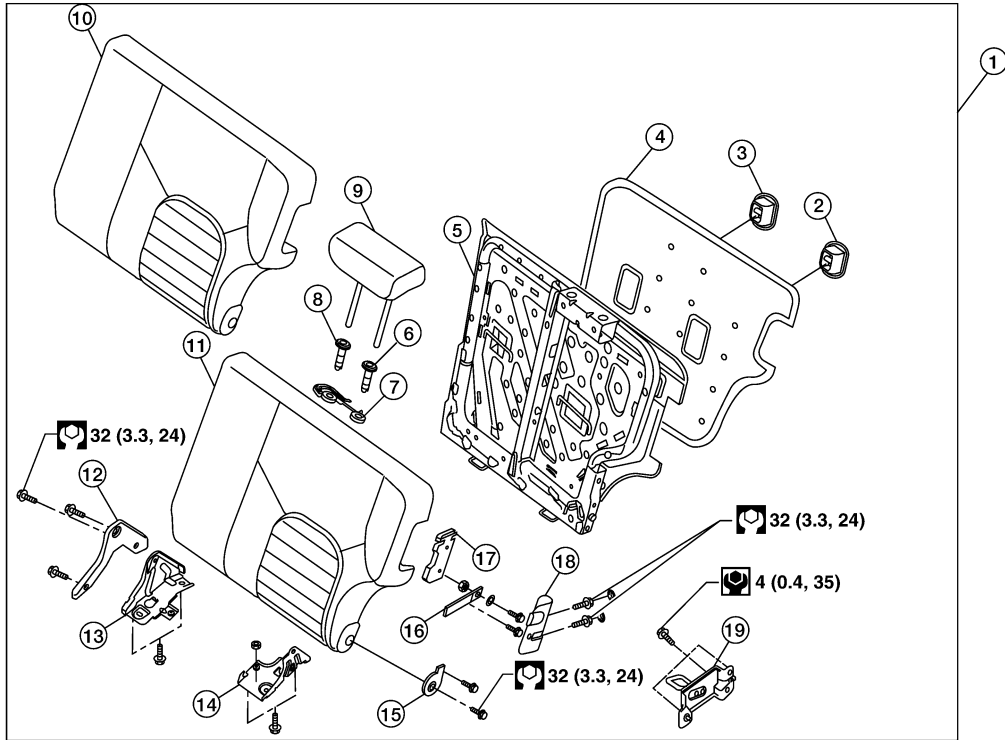


# REAR SEAT

## Disassembly and Assembly

EIS006BD

LH



A

B

C

D

E

F

G

H

SE

J

K

L

M

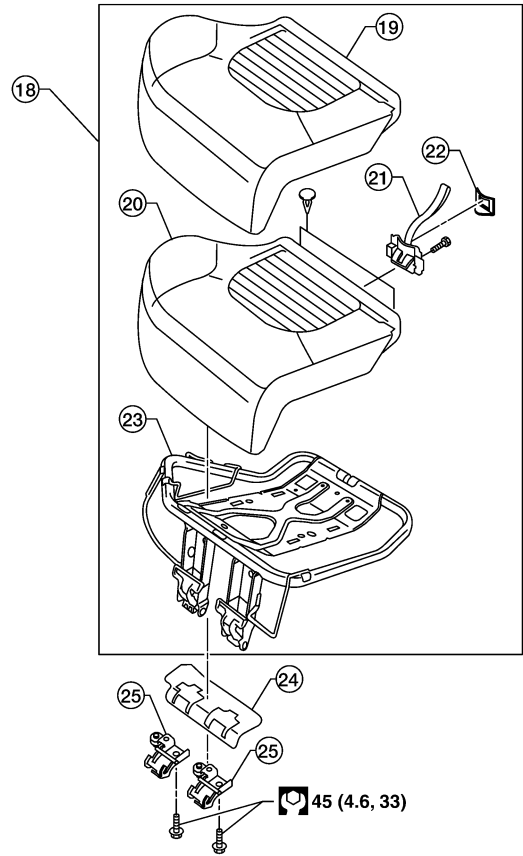
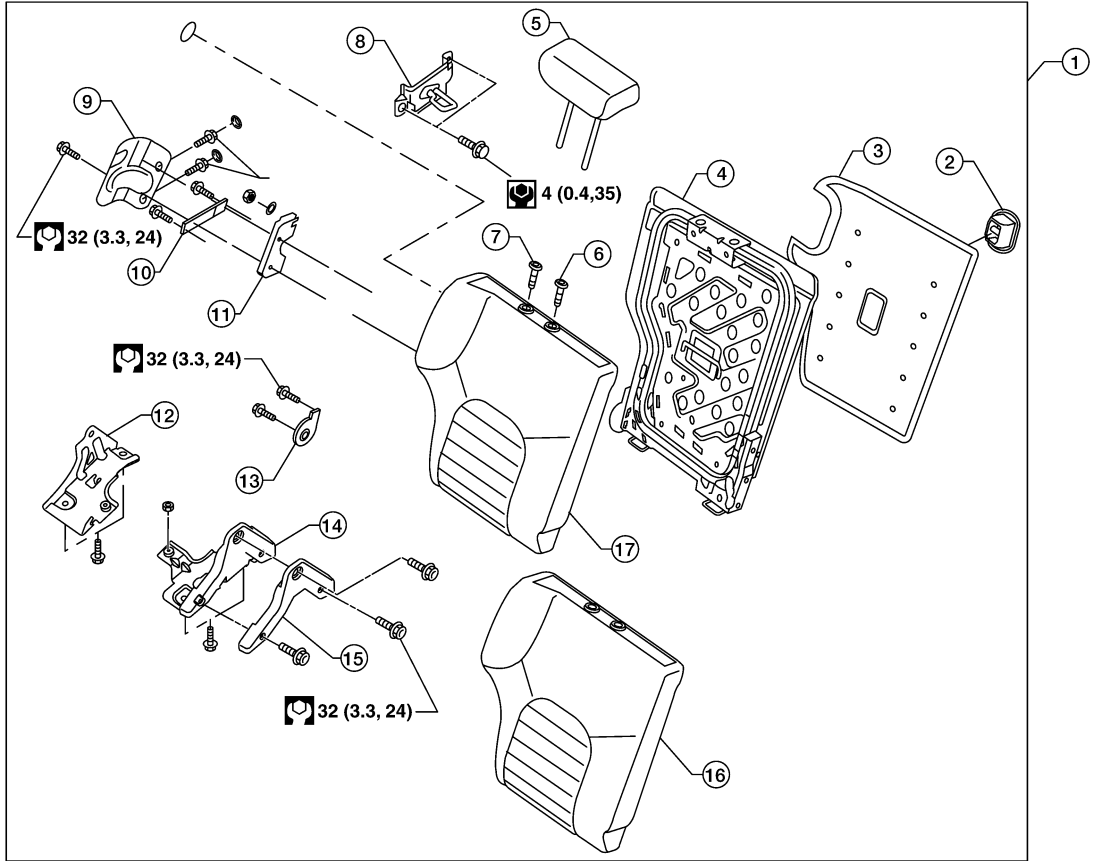
## REAR SEAT

---

- |                                 |                              |                          |
|---------------------------------|------------------------------|--------------------------|
| 1. Seatback assembly            | 2. Tie down hook outboard    | 3. Tie down hook inboard |
| 4. Seatback board               | 5. Seatback frame assembly   | 6. Headrest guide        |
| 7. Seat belt comfort guide      | 8. Locking headrest guide    | 9. Headrest              |
| 10. Seatback trim               | 11. Seat back pad            | 12. Inboard hinge cover  |
| 13. Inboard hinge bracket       | 14. Outboard hinge bracket   | 15. Outboard pivot cover |
| 16. Seatback release strap      | 17. Seatback latch assembly  | 18. Seatback latch cover |
| 19. Seatback striker            | 20. Seat cushion assembly    | 21. Seat cushion trim    |
| 22. Seat cushion pad            | 23. Rear seat assembly lock  | 24. Rear seat lock cover |
| 25. Seat cushion frame assembly | 26. Seat cushion pivot cover | 27. Seat cushion pivot   |

# REAR SEAT

RH



- 1. Seatback assembly
- 2. Tie down hook
- 3. Seatback board
- 4. Seatback frame assembly
- 5. Headrest
- 6. Headrest guide

WIHA0861E

A  
B  
C  
D  
E  
F  
G  
H  
SE  
J  
K  
L  
M

## REAR SEAT

---

- |                            |                                 |                              |
|----------------------------|---------------------------------|------------------------------|
| 7. Locking headrest guide  | 8. Seatback striker             | 9. Seatback latch cover      |
| 10. Seatback release strap | 11. Seatback latch assembly     | 12. Outboard hinge bracket   |
| 13. Outboard pivot cover   | 14. Inboard hinge bracket       | 15. Inboard hinge cover      |
| 16. Seatback trim          | 17. Seatback pad                | 18. Seat cushion assembly    |
| 19. Seat cushion trim      | 20. Seat cushion pad            | 21. Rear seat lock assembly  |
| 22. Rear seat lock cover   | 23. Seat cushion frame assembly | 24. Seat cushion pivot cover |
| 25. Seat cushion pivot     |                                 |                              |