

CLUTCH

SECTION **CL**

CONTENTS

PRECAUTIONS	2	CLUTCH RELEASE MECHANISM	10
Precautions	2	Components.....	10
PREPARATION	3	Removal and Installation	10
Special Service Tools	3	Inspection.....	11
Commercial Service Tools	3	Lubrication	11
NOISE, VIBRATION AND HARSHNESS (NVH)		Waterproof - for 4WD Model	11
TROUBLESHOOTING	4	CLUTCH DISC, CLUTCH COVER AND	
NVH Troubleshooting Chart.....	4	FLYWHEEL	12
CLUTCH	4	Components.....	12
CLUTCH SYSTEM - HYDRAULIC TYPE	5	Inspection and Adjustment	12
Components.....	5	CLUTCH DISC.....	12
Inspection and Adjustment	6	CLUTCH COVER AND FLYWHEEL.....	13
ADJUSTING CLUTCH PEDAL	6	FLYWHEEL INSPECTION	13
AIR BLEEDING PROCEDURE	7	Installation.....	13
CLUTCH MASTER CYLINDER	8	SERVICE DATA AND SPECIFICATIONS (SDS)	14
Components.....	8	Clutch Control System.....	14
Disassembly and Assembly.....	8	Clutch Master Cylinder (with clutch damper)	14
Inspection.....	8	Clutch Operating Cylinder	14
OPERATING CYLINDER	9	Clutch Disc.....	14
Components.....	9	Clutch Cover	14
Inspection.....	9	Clutch Pedal	14

GI

MA

EM

LC

EC

FE

CL

MT

AT

TF

PD

AX

SU

BR

ST

RS

BT

HA

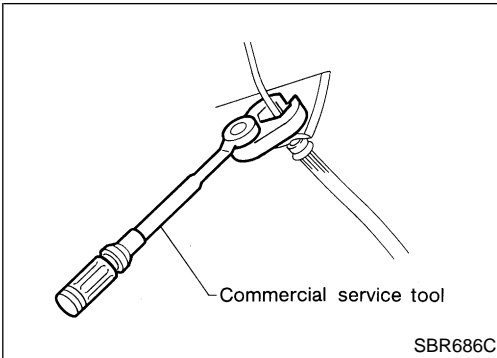
SC

EL

IDX

PRECAUTIONS

Precautions



Precautions

NGCL0001

- Recommended fluid is brake fluid "DOT 3".
- Never reuse drained brake fluid.
- Be careful not to splash brake fluid on painted areas.
- When removing and installing clutch piping, use Tool.
- Use new brake fluid to clean or wash all parts of master cylinder, operating cylinder, and clutch damper.
- Never use mineral oils such as gasoline or kerosene. It will ruin the rubber parts of the hydraulic system.

WARNING:

After cleaning the clutch disc, wipe it with a dust collector. Do not use compressed air.

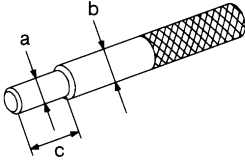
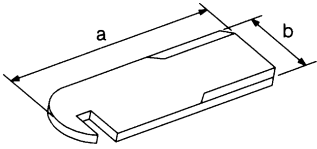
PREPARATION

Special Service Tools

Special Service Tools

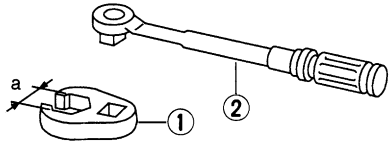
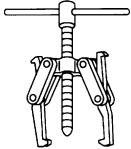
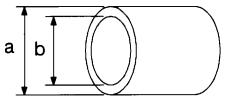
NGCL0002

The actual shapes of Kent-Moore tools may differ from those of special service tools illustrated here.

Tool number (Kent-Moore No.) Tool name	Description	
ST20630000 (J26366) Clutch aligning bar	 <p>NT405</p>	Installing clutch cover and clutch disc a: 15.9 mm (0.626 in) dia. b: 22.8 mm (0.898 in) dia. c: 55 mm (2.17 in)
ST20050240 (—) Diaphragm spring adjusting wrench	 <p>NT404</p>	Adjusting unevenness of diaphragm spring of clutch cover a: 150 mm (5.91 in) b: 25 mm (0.98 in)

Commercial Service Tools

NGCL0003

Tool name	Description	
1 Flare nut crowfoot 2 Torque wrench	 <p>NT360</p>	Removing and installing clutch piping a: 10 mm (0.39 in)
Bearing puller	 <p>NT077</p>	Removing release bearing
Bearing drift	 <p>NT474</p>	Installing release bearing a: 52 mm (2.05 in) dia. b: 45 mm (1.77 in) dia.

GI
MA
EM
LC
EC
FE
CL
MT
AT
TF
PD
AX
SU
BR
ST
RS
BT
HA
SC
EL
IDX

NOISE, VIBRATION AND HARSHNESS (NVH) TROUBLESHOOTING

NVH Troubleshooting Chart

NVH Troubleshooting Chart

NGCL0027S01

Use the chart below to help you find the cause of the problem. The numbers indicate the priority of the likely cause of the problem. Check each part in order. If necessary, repair or replace these parts.

CLUTCH

NGCL0027S0101

Symptom		SUSPECTED PARTS (Possible cause)																					
		CL-6	CL-7	CL-8	CL-9	EM-41 (KA24DE), EM-100 (VG33E)	CL-10	CL-12	CL-12	CL-12	CL-12	CL-12	CL-12	CL-12	CL-13	CL-13	CL-13	CL-13					
Symptom	Clutch grabs/chatters					1				2				2	2	2			2				
	Clutch pedal spongy		1	2	2																		
	Clutch noisy						1																
	Clutch slips	1												2	2				3		4	5	
	Clutch does not disengage	1	2	3	4				5	5	5	5	5	5			5	6	6	7			
Reference page																							

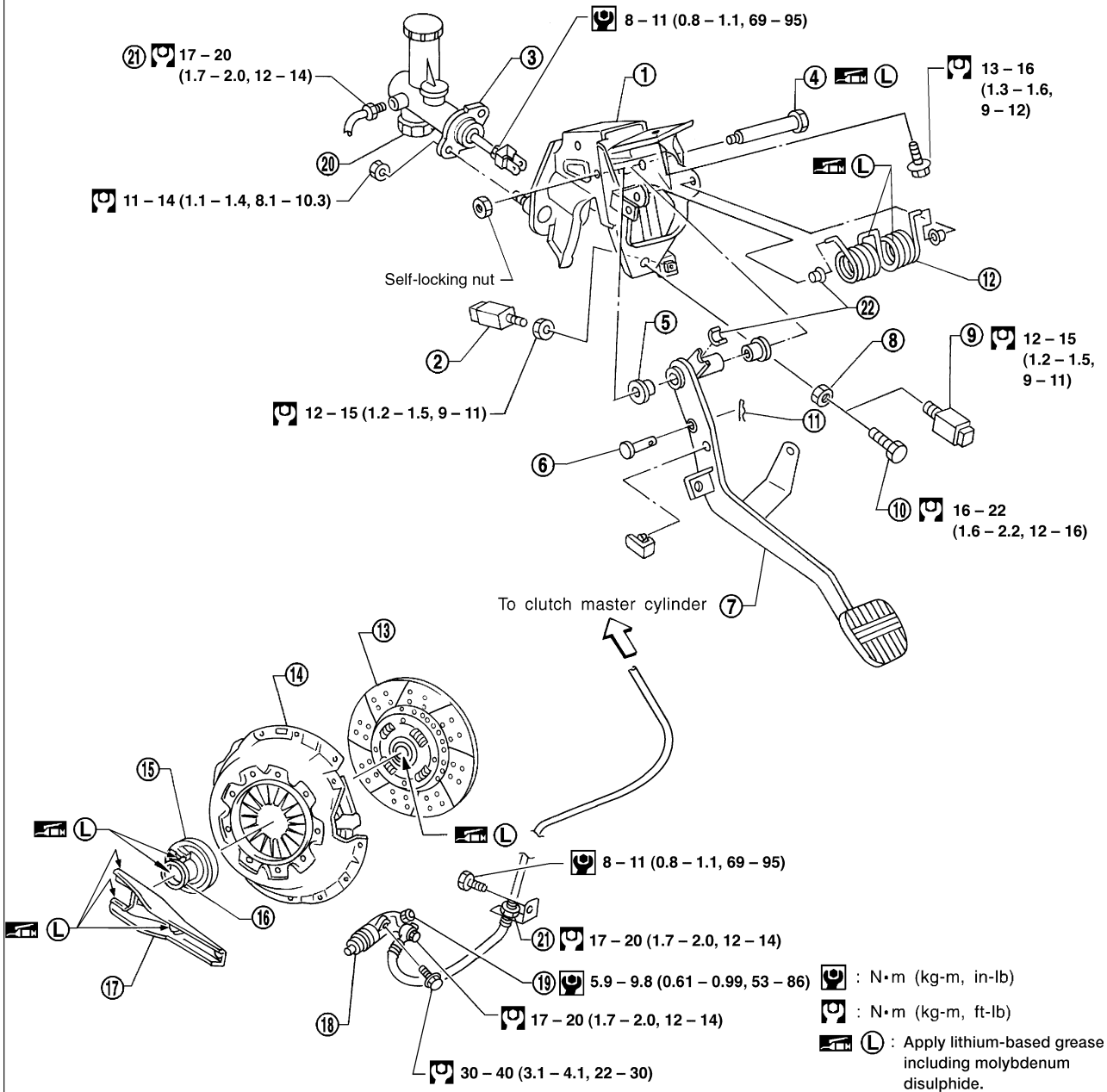
CLUTCH SYSTEM — HYDRAULIC TYPE

Components

Components

NGCL0004

SEC. 300 • 305 • 306 • 465



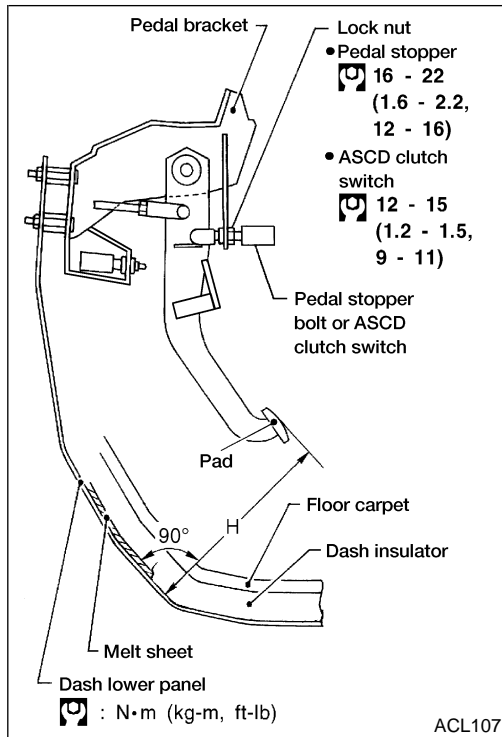
WCL044

- | | | |
|----------------------------|-----------------------|-------------------------------------|
| 1. Clutch pedal bracket | 9. ASCD cancel switch | 16. Release bearing sleeve |
| 2. Clutch interlock switch | 10. Pedal stopper | 17. Withdrawal lever |
| 3. Clutch master cylinder | 11. Snap pin | 18. Operating cylinder |
| 4. Fulcrum pin | 12. Assist spring | 19. Air bleeder |
| 5. Bushing | 13. Clutch disc | 20. Clutch damper (not serviceable) |
| 6. Clevis pin | 14. Clutch cover | 21. Flare nut |
| 7. Clutch pedal | 15. Release bearing | 22. Bushing |
| 8. Lock nut | | |

GI
MA
EM
LC
EC
FE
CL
MT
AT
TF
PD
AX
SU
BR
ST
RS
BT
HA
SC
EL
IDX

CLUTCH SYSTEM — HYDRAULIC TYPE

Inspection and Adjustment



Inspection and Adjustment

ADJUSTING CLUTCH PEDAL

NGCL0005

NGCL0005S01

1. Adjust pedal height with pedal stopper or ASCD cancel switch.

Pedal height "H":

KA24DE: 221 – 231 mm (8.70 – 9.09 in)

VG33E: 227 – 237 mm (8.94 – 9.33 in)

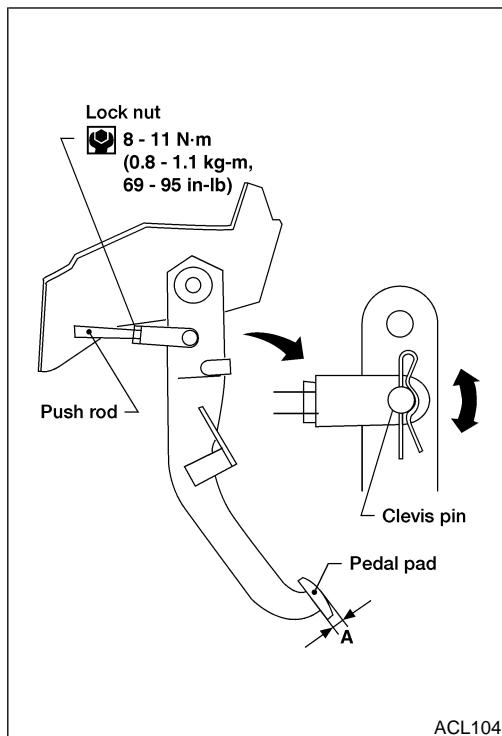
2. Adjust pedal free play with master cylinder push rod. Then tighten lock nut.

Pedal free play (measured at pedal pad) "A":

9 - 16 mm (0.35 - 0.63 in)

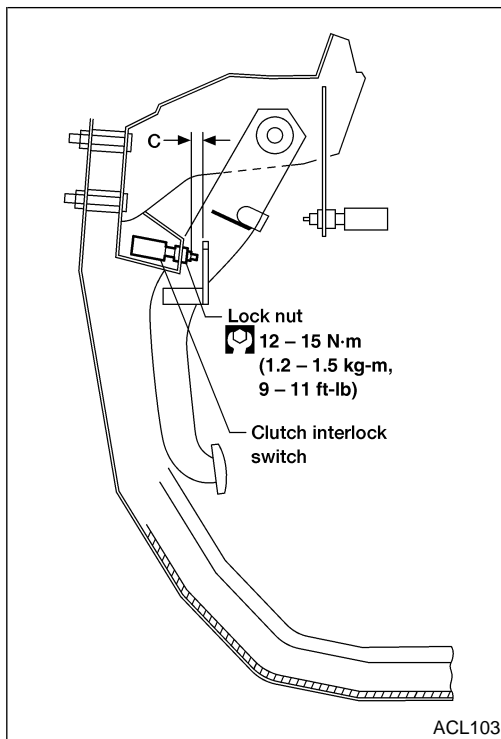
Pedal free play means the following total measured at position of pedal pad:

- Play due to clevis pin, clevis pin hole in clutch pedal and master cylinder.
3. Make sure that clevis pin can rotate smoothly. If not, readjust pedal free play with master cylinder push rod.



CLUTCH SYSTEM — HYDRAULIC TYPE

Inspection and Adjustment (Cont'd)



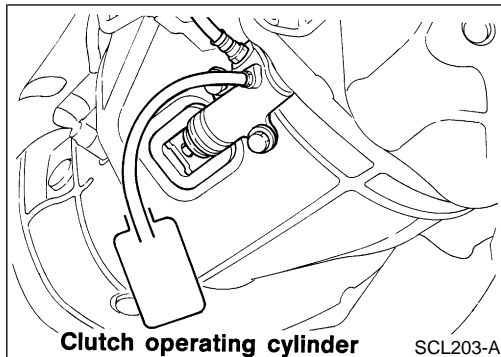
— Models with Clutch Interlock System —

NGCL0005S0101

1. Adjust clearance "C" shown in the figure while fully depressing clutch pedal.

Clearance C:

0.1 - 1.0 mm (0.004 - 0.039 in)



AIR BLEEDING PROCEDURE

NGCL0005S02

Bleed air according to the following procedure.

Bleed air from operating cylinder.

1. Fill the master cylinder reservoir tank with new brake fluid.
2. Connect a transparent vinyl hose to the air bleeder.
3. Slowly depress the clutch pedal to its full stroke length and release it completely. Repeat this operation several times at 2 to 3 second intervals.
4. Open the air bleeder with the clutch pedal fully depressed.
5. Close the air bleeder.
6. Release the clutch pedal and wait at least 5 seconds.
7. Repeat steps 3 through 6 above until air bubbles no longer appear in the brake fluid.

GI

MA

EM

LC

EC

FE

CL

MT

AT

TF

PD

AX

SU

BR

ST

RS

BT

HA

SC

EL

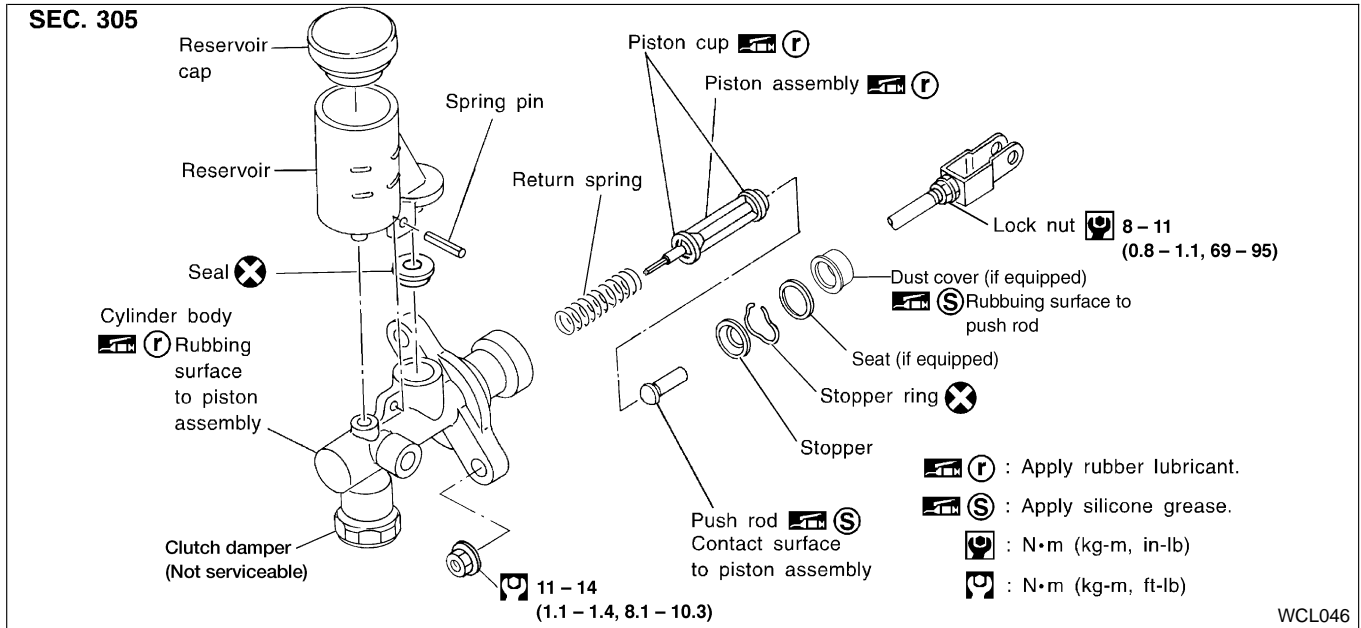
IDX

CLUTCH MASTER CYLINDER

Components

Components

NGCL0006



Disassembly and Assembly

NGCL0007

- Use a screwdriver to remove stopper ring while pushing push rod into cylinder.
- When installing stopper ring, tap in lightly while pushing push rod into cylinder.

Inspection

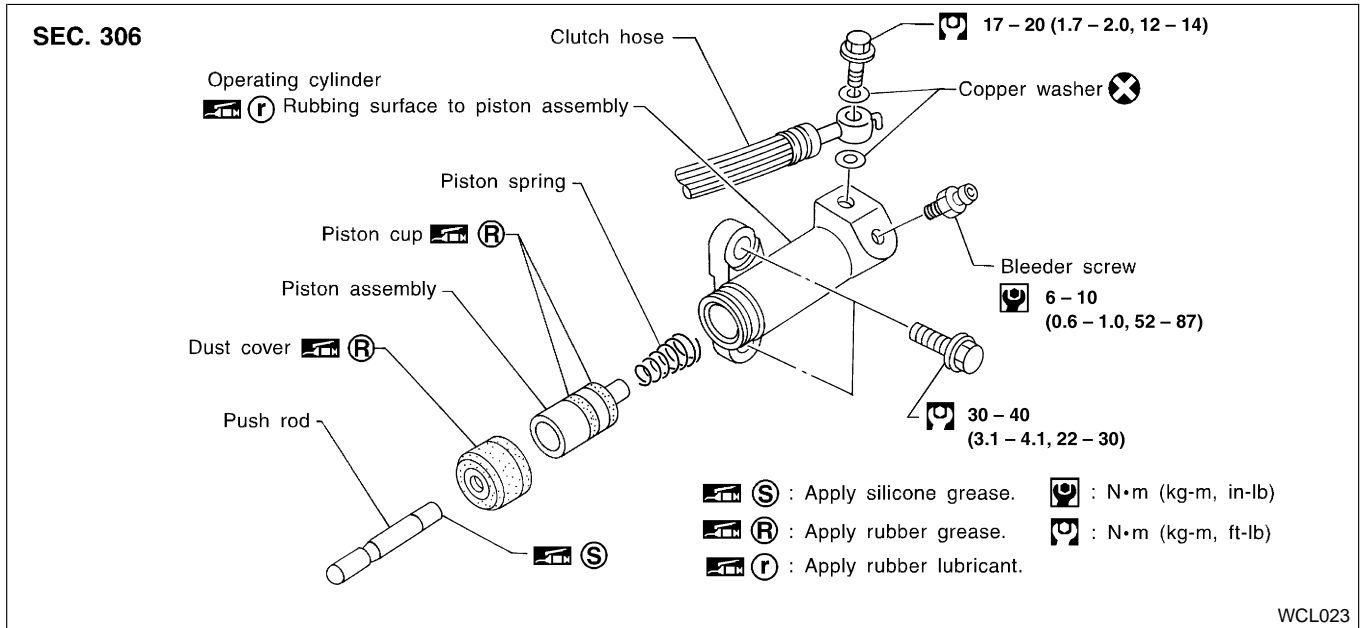
NGCL0008

Check the following items, and replace if necessary.

- Rubbing surface of cylinder and piston, for uneven wear, rust, or damage
- Piston with piston cup, for wear or damage
- Return spring, for wear or damage
- Dust cover, for cracks, deformation, or damage
- Reservoir, for deformation or damage

Components

NGCL0009



GI
 MA
 EM
 LC
 EC
 FE
CL

Inspection

NGCL0010

Check the following items, and replace if necessary.

- Rubbing surface of cylinder and piston, for uneven wear, rust, or damage
- Piston with piston cup, for wear or damage
- Piston spring, for wear or damage
- Dust cover, for cracks, deformation, or damage

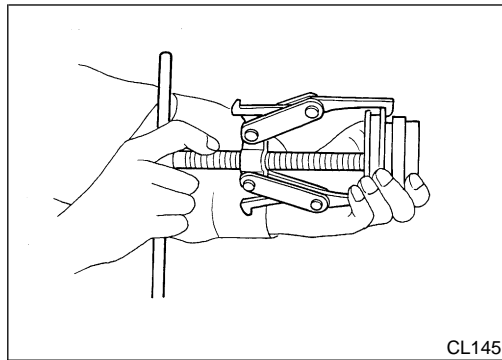
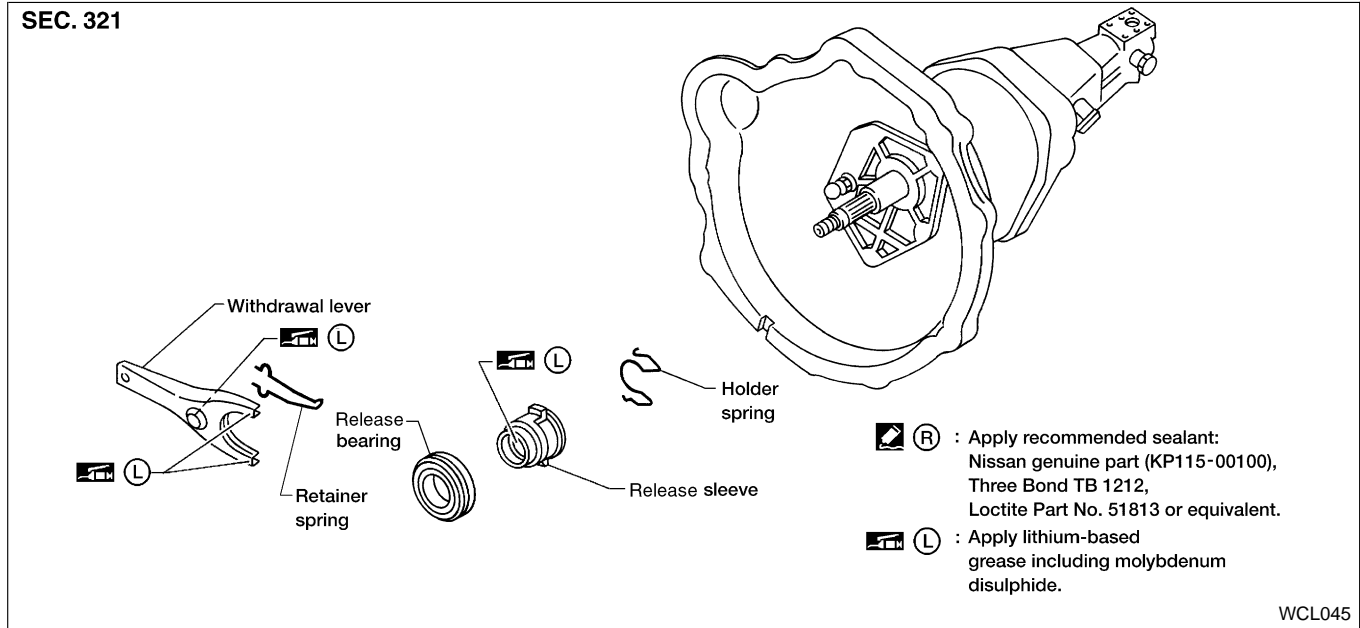
AT
 TF
 PD
 AX
 SU
 BR
 ST
 RS
 BT
 HA
 SC
 EL
 IDX

CLUTCH RELEASE MECHANISM

Components

Components

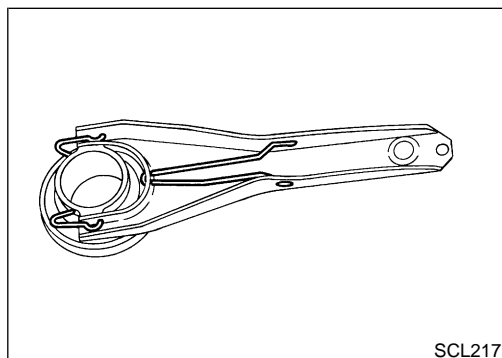
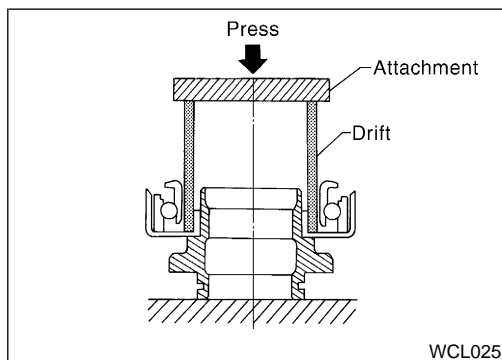
NGCL0013



Removal and Installation

NGCL0014

- Remove release bearing.
- Install release bearing with suitable drift.
- Install retainer spring and holder spring.



CLUTCH RELEASE MECHANISM

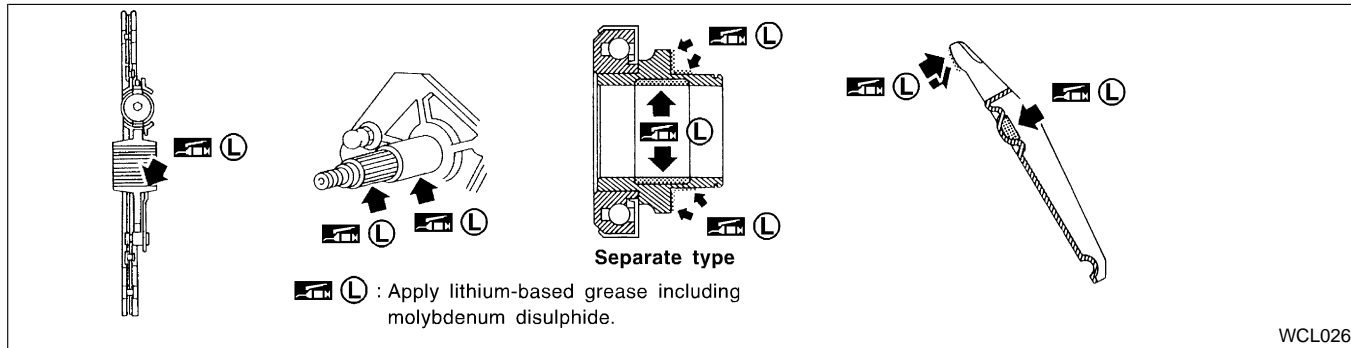
Inspection

Inspection

NGCL0015

Check the following items, and replace if necessary.

- Release bearing, to see that it rolls freely and is free from noise, cracks, pitting, or wear.
- Release sleeve and withdrawal lever rubbing surface, for wear, rust, or damage



WCL026

GI

MA

EM

LC

EC

FE

CL

MT

Lubrication

NGCL0016

- Apply recommended grease to contact surface and rubbing surface.
- **Too much lubricant might damage clutch disc facing damage.**

AT

TF

PD

AX

Waterproof — for 4WD Model

NGCL0017

- Apply recommended sealant to contact surface of dust cover to transmission case and withdrawal lever and then install dust cover clip.

Recommended sealant: NISSAN genuine part no. KP115-00100, Three Bond TB1212, Loctite Part No. 51813, or equivalent

SU

BR

ST

RS

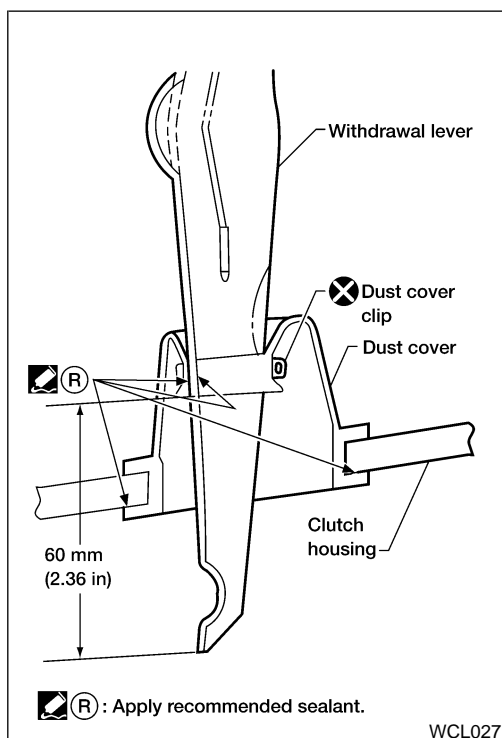
BT

HA

SC

EL

IDX



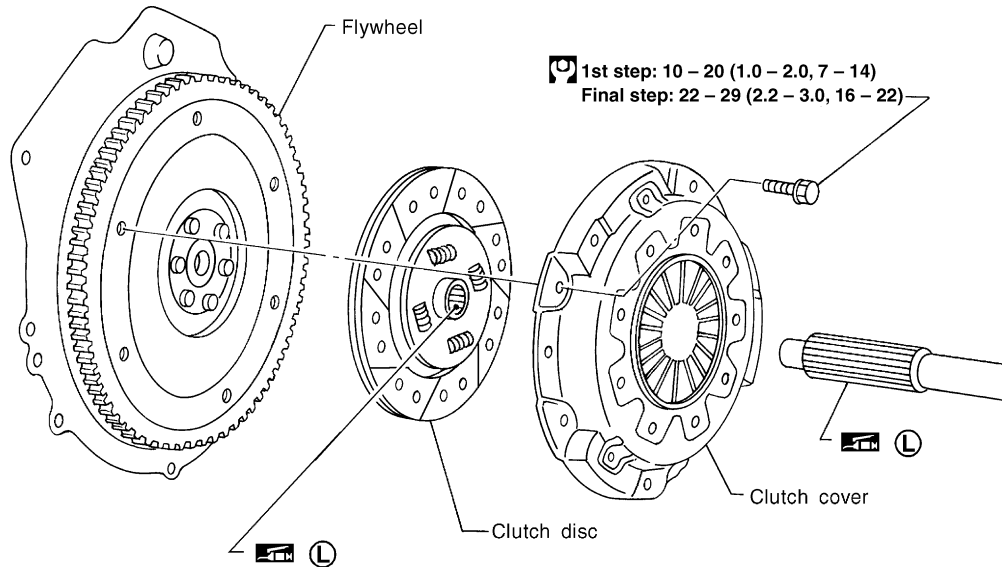
WCL027

CLUTCH DISC, CLUTCH COVER AND FLYWHEEL

Components

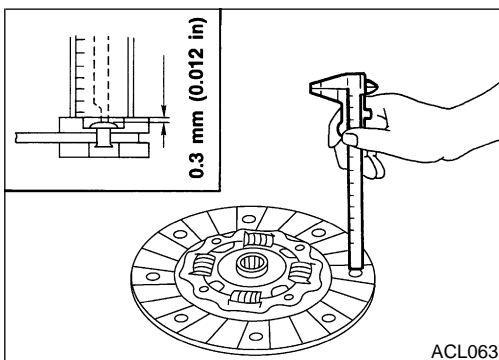
NGCL0018

SEC. 300

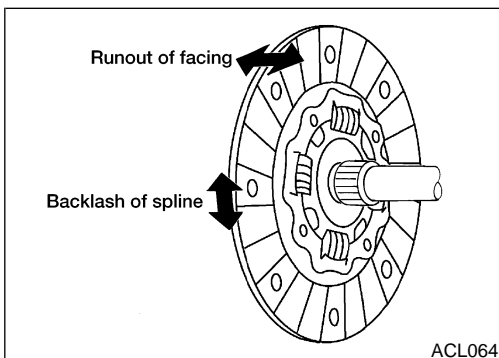


- Do not clean clutch disc surface with solvent.
 - When installing, be careful that grease from main drive shaft does not adhere to clutch disc.
- : Apply lithium-based grease including molybdenum disulphide.
 : N·m (kg-m, ft-lb)

WCL019



ACL063



ACL064

Inspection and Adjustment

CLUTCH DISC

NGCL0019

NGCL0019S01

Check the following items, and replace if necessary.

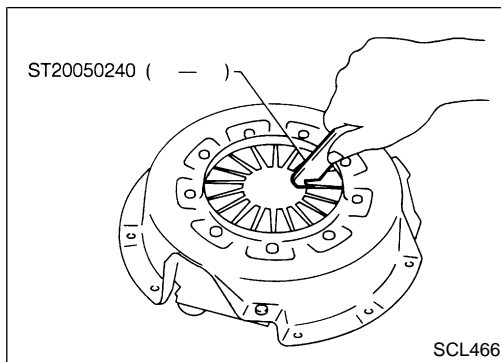
- Clutch disc, for burns, discoloration, oil, or grease leakage
- Clutch disc, for wear of facing

**Wear limit of facing surface to rivet head:
0.3 mm (0.012 in)**

- Clutch disc, for backlash of spline and runout of facing
**Maximum backlash of spline (at outer edge of disc):
1.0 mm (0.039 in)**
**Runout limit of facing:
1.0 mm (0.039 in)**
**Distance of runout check point (from hub center):
Model 240: 115 mm (4.53 in)
Model 250: 120 mm (4.72 in)**

CLUTCH DISC, CLUTCH COVER AND FLYWHEEL

Inspection and Adjustment (Cont'd)



CLUTCH COVER AND FLYWHEEL

NGCL0019S02

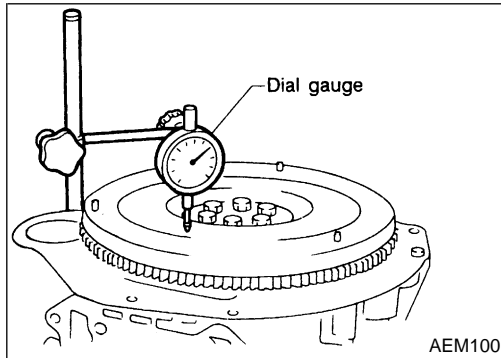
- Check clutch cover, installed on vehicle, for uneven diaphragm spring toe height.
Uneven limit: 0.7 mm (0.028 in)
- If out of limit, adjust the height with Tool.

GI

MA

EM

LC



FLYWHEEL INSPECTION

NGCL0019S03

CAUTION:

Do not allow any magnetic materials to contact the ring gear teeth.

- Inspect contact surface of flywheel for slight burns or discoloration. Clean flywheel with emery paper.
- Check flywheel runout.

Maximum allowable runout:

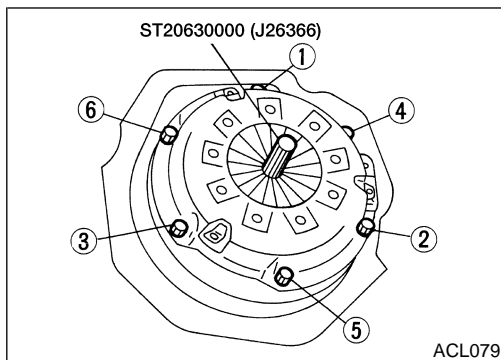
Refer to **EM-52 (KA24DE)**, "FLYWHEEL RUNOUT";
EM-111 (VG33E), "FLYWHEEL/DRIVE PLATE RUNOUT".

EC

FE

CL

MT



Installation

NGCL0020

- Apply recommended grease to contact surface of splines.
- **Too much lubricant may damage clutch disc facing.**
- Insert Tool into clutch disc hub when installing clutch cover and disc.
- Be careful not to allow grease to contaminate clutch facing.
- Tighten bolts in numerical order, in two steps.

First step:

: 10 - 20 N·m (1.0 - 2.0 kg·m, 7 - 14 ft·lb)

Final step:

: 22 - 29 N·m (2.2 - 3.0 kg·m, 16 - 22 ft·lb)

AT

TF

PD

AX

SU

BR

ST

RS

BT

HA

SC

EL

IDX

SERVICE DATA AND SPECIFICATIONS (SDS)

Clutch Control System

Clutch Control System	
Type of clutch control	Hydraulic

NGCL0028

Clutch Master Cylinder (with clutch damper)

Inner diameter	15.87 mm (5/8 in)
----------------	-------------------

NGCL0021

Clutch Operating Cylinder

Inner diameter	19.05 mm (3/4 in)
----------------	-------------------

NGCL0022

Clutch Disc

	240	250
Model	240	250
Engine	KA24DE	VG33E
Facing size (Outer dia. x inner dia. x thickness)	240 x 150 x 3.5 (9.45 x 5.91 x 0.138)	250 x 160 x 3.5 (9.84 x 6.30 x 0.138)
Thickness of disc assembly with load	7.75 - 8.25 (0.305 - 0.3248) with 4,903 N (500 kg, 1,103 lb)	8.1 - 8.5 (0.3189 - 0.3346) with 6,473 N (660 kg, 1,455 lb)
Wear limit of facing surface to rivet head	0.3 (0.012)	0.3 (0.012)
Runout limit of facing	1.0 (0.039)	1.0 (0.039)
Distance of runout check point (from hub center)	115 (4.53)	120 (4.72)
Maximum backlash of spline (at outer edge of disc)	1.0 (0.039)	1.0 (0.039)

NGCL0023
Unit: mm (in)

Clutch Cover

		KA24DE	VG33E
Engine		KA24DE	VG33E
Model		240	250
Set-load	2WD	4,903 N (500 kg, 1,103 lb)	6,473 N (660 kg, 1,455 lb)
	4WD	—	6,473 N (660 kg, 1,455 lb)
Diaphragm spring height		37.5 - 39.5 (1.476 - 1.555)	36.5 - 38.5 (1.437 - 1.516)
Uneven limit of diaphragm spring toe height		0.7 (0.028)	0.7 (0.028)

NGCL0024
Unit: mm (in)

Clutch Pedal

		KA24DE	VG33E
Engine		KA24DE	VG33E
Pedal height "H"		221 - 231 (8.70 - 9.09)	227 - 237 (8.94 - 9.33)
Pedal free play "A" (at pedal pad)		9 - 16 (0.35 - 0.63)	9 - 16 (0.35 - 0.63)
Clearance "C" between pedal stopper bracket and clutch pedal position switch (with clutch pedal fully depressed.)		0.1 - 1.0 (0.004 - 0.039)	0.1 - 1.0 (0.004 - 0.039)

NGCL0025
Unit: mm (in)

*: Measured from surface of dash lower panel to pedal pad.