

SECTION **SE**
SEAT

A
B
C
D
E
F
G
H
SE
J
K
L
M
N
O
P

CONTENTS

SERVICE INFORMATION	2	Diagnostic Worksheet	8
PRECAUTIONS	2	FRONT SEAT	10
Precaution for Supplemental Restraint System (SRS) "AIR BAG" and "SEAT BELT PRE-TENSIONER"	2	Driver Seat	10
Service Notice	2	Passenger Seat	11
Precaution	2	Removal and Installation	11
PREPARATION	3	Disassembly and Assembly	12
Special Service Tool	3	REAR SEAT	14
Commercial Service Tool	3	Component Parts Drawing	14
SQUEAK AND RATTLE TROUBLE DIAGNOSES	4	Removal and Installation	15
Work Flow	4	Disassembly and Assembly	17
Generic Squeak and Rattle Troubleshooting	6	Component Parts Drawing	20
		Removal and Installation	21
		Disassembly and Assembly	23
		Removal and Installation	25
		Disassembly and Assembly	25

PRECAUTIONS

< SERVICE INFORMATION >

SERVICE INFORMATION

PRECAUTIONS

Precaution for Supplemental Restraint System (SRS) "AIR BAG" and "SEAT BELT PRE-TENSIONER"

INFOID:000000001704254

The Supplemental Restraint System such as "AIR BAG" and "SEAT BELT PRE-TENSIONER", used along with a front seat belt, helps to reduce the risk or severity of injury to the driver and front passenger for certain types of collision. Information necessary to service the system safely is included in the SR and SB section of this Service Manual.

WARNING:

- **To avoid rendering the SRS inoperative, which could increase the risk of personal injury or death in the event of a collision which would result in air bag inflation, all maintenance must be performed by an authorized NISSAN/INFINITI dealer.**
- **Improper maintenance, including incorrect removal and installation of the SRS, can lead to personal injury caused by unintentional activation of the system. For removal of Spiral Cable and Air Bag Module, see the SR section.**
- **Do not use electrical test equipment on any circuit related to the SRS unless instructed to in this Service Manual. SRS wiring harnesses can be identified by yellow and/or orange harnesses or harness connectors.**

Service Notice

INFOID:000000001704255

- When removing or installing various parts, place a cloth or padding onto the vehicle body to prevent scratches.
- Handle trim, molding instruments, grille, etc. carefully during removing or installing. Be careful not to oil or damage them.
- Apply sealing compound where necessary when installing parts.
- When applying sealing compound, be careful that the sealing compound does not protrude from parts.
- When replacing any metal parts (for example body outer panel, member, etc.), be sure to take rust prevention measures.

Precaution

INFOID:000000001704256

- When removing or disassembling any part, be careful not to damage or deform it. Protect parts which may get in the way with cloth.
- When removing parts with a screwdriver or other tool, protect parts by wrapping tools with vinyl or tape.
- Keep removed parts protected with cloth.
- If a clip is deformed or damaged, replace it.
- If an un reusable part is removed, replace it with a new one.
- Tighten bolts and nuts firmly to the specified torque.
- After re-assembly has been completed, make sure each part functions correctly.
- Remove stains in the following way.

Water-soluble stains:

Dip a soft cloth in warm water, and then squeeze it tightly. After wiping the stain, wipe with a soft dry cloth.

Oil stain:

Dissolve a synthetic detergent in warm water (density of 2 to 3% or less), dip the cloth, then clean off the stain with the cloth. Next, dip the cloth in fresh water and squeeze it tightly. Then clean off the detergent completely. Then wipe the area with a soft dry cloth.

- Do not use any organic solvent, such as thinner or benzene.

PREPARATION

< SERVICE INFORMATION >

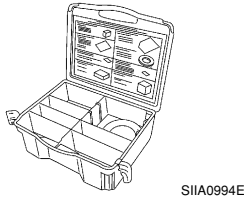
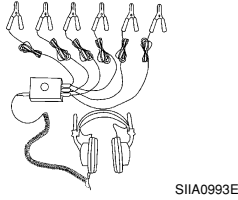
PREPARATION

Special Service Tool

INFOID:000000001704257

The actual shapes of Kent-Moore tools may differ from those of special service tools illustrated here.

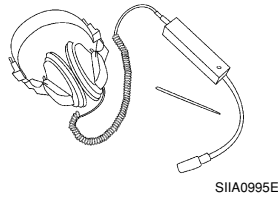
Tool number (Kent-Moore No.) Tool name	Description
— (J-39570) Chassis ear	Locating the noise
— (J-43980) NISSAN Squeak and Rattle Kit	Repairing the cause of noise



Commercial Service Tool

INFOID:000000001704258

(Kent-Moore No.) Tool name	Description
(J-39565) Engine ear	Locating the noise



A
B
C
D
E
F
G
H
J
K
L
M
N
O
P

SE

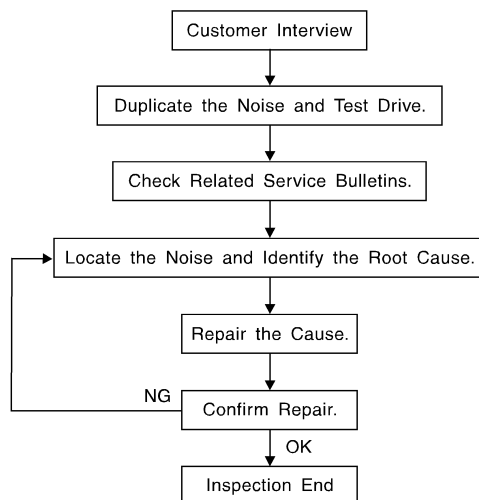
SQUEAK AND RATTLE TROUBLE DIAGNOSES

< SERVICE INFORMATION >

SQUEAK AND RATTLE TROUBLE DIAGNOSES

Work Flow

INFOID:000000001704259



SBT842

CUSTOMER INTERVIEW

Interview the customer if possible, to determine the conditions that exist when the noise occurs. Use the Diagnostic Worksheet during the interview to document the facts and conditions when the noise occurs and any customer's comments; refer to [SE-8, "Diagnostic Worksheet"](#). This information is necessary to duplicate the conditions that exist when the noise occurs.

- The customer may not be able to provide a detailed description or the location of the noise. Attempt to obtain all the facts and conditions that exist when the noise occurs (or does not occur).
- If there is more than one noise in the vehicle, be sure to diagnose and repair the noise that the customer is concerned about. This can be accomplished by test driving the vehicle with the customer.
- After identifying the type of noise, isolate the noise in terms of its characteristics. The noise characteristics are provided so the customer, service adviser and technician are all speaking the same language when defining the noise.
- Squeak —(Like tennis shoes on a clean floor)
Squeak characteristics include the light contact/fast movement/brought on by road conditions/hard surfaces = higher pitch noise/softer surfaces = lower pitch noises/edge to surface = chirping.
- Creak—(Like walking on an old wooden floor)
Creak characteristics include firm contact/slow movement/twisting with a rotational movement/pitch dependent on materials/often brought on by activity.
- Rattle—(Like shaking a baby rattle)
Rattle characteristics include the fast repeated contact/vibration or similar movement/loose parts/missing clip or fastener/incorrect clearance.
- Knock —(Like a knock on a door)
Knock characteristics include hollow sounding/sometimes repeating/often brought on by driver action.
- Tick—(Like a clock second hand)
Tick characteristics include gentle contacting of light materials/loose components/can be caused by driver action or road conditions.
- Thump—(Heavy, muffled knock noise)
Thump characteristics include softer knock/dead sound often brought on by activity.
- Buzz—(Like a bumble bee)
Buzz characteristics include high frequency rattle/firm contact.
- Often the degree of acceptable noise level will vary depending upon the person. A noise that you may judge as acceptable may be very irritating to the customer.
- Weather conditions, especially humidity and temperature, may have a great effect on noise level.

DUPLICATE THE NOISE AND TEST DRIVE

If possible, drive the vehicle with the customer until the noise is duplicated. Note any additional information on the Diagnostic Worksheet regarding the conditions or location of the noise. This information can be used to duplicate the same conditions when you confirm the repair.

SQUEAK AND RATTLE TROUBLE DIAGNOSES

< SERVICE INFORMATION >

If the noise can be duplicated easily during the test drive, to help identify the source of the noise, try to duplicate the noise with the vehicle stopped by doing one or all of the following:

- 1) Close a door.
 - 2) Tap or push/pull around the area where the noise appears to be coming from.
 - 3) Rev the engine.
 - 4) Use a floor jack to recreate vehicle "twist".
 - 5) At idle, apply engine load (electrical load, half-clutch on M/T model, drive position on A/T model).
 - 6) Raise the vehicle on a hoist and hit a tire with a rubber hammer.
- Drive the vehicle and attempt to duplicate the conditions the customer states exist when the noise occurs.
 - If it is difficult to duplicate the noise, drive the vehicle slowly on an undulating or rough road to stress the vehicle body.

CHECK RELATED SERVICE BULLETINS

After verifying the customer concern or symptom, check ASIST for Technical Service Bulletins (TSBs) related to that concern or symptom.

If a TSB relates to the symptom, follow the procedure to repair the noise.

LOCATE THE NOISE AND IDENTIFY THE ROOT CAUSE

1. Narrow down the noise to a general area. To help pinpoint the source of the noise, use a listening tool (Chassis Ear: J-39570, Engine Ear: J-39565 and mechanic's stethoscope).
2. Narrow down the noise to a more specific area and identify the cause of the noise by:
 - removing the components in the area that you suspect the noise is coming from.
Do not use too much force when removing clips and fasteners, otherwise clips and fasteners can be broken or lost during the repair, resulting in the creation of new noise.
 - tapping or pushing/pulling the component that you suspect is causing the noise.
Do not tap or push/pull the component with excessive force, otherwise the noise will be eliminated only temporarily.
 - feeling for a vibration with your hand by touching the component(s) that you suspect is (are) causing the noise.
 - placing a piece of paper between components that you suspect are causing the noise.
 - looking for loose components and contact marks.Refer to [SE-6. "Generic Squeak and Rattle Troubleshooting"](#).

REPAIR THE CAUSE

- If the cause is a loose component, tighten the component securely.
- If the cause is insufficient clearance between components:
 - separate components by repositioning or loosening and retightening the component, if possible.
 - insulate components with a suitable insulator such as urethane pads, foam blocks, felt cloth tape or urethane tape. A NISSAN Squeak and Rattle Kit (J-43980) is available through your authorized NISSAN Parts Department.

CAUTION:

Do not use excessive force as many components are constructed of plastic and may be damaged.

Always check with the Parts Department for the latest parts information.

The following materials are contained in the NISSAN Squeak and Rattle Kit (J-43980). Each item can be ordered separately as needed.

URETHANE PADS [1.5 mm (0.059 in) thick]

Insulates connectors, harness, etc.

76268-9E005: 100×135 mm (3.94×5.31 in)/76884-71L01: 60×85 mm (2.36×3.35 in)/76884-71L02: 15×25 mm (0.59×0.98 in)

INSULATOR (Foam blocks)

Insulates components from contact. Can be used to fill space behind a panel.

73982-9E000: 45 mm (1.77 in) thick, 50×50 mm (1.97×1.97 in)/73982-50Y00: 10 mm (0.39 in) thick, 50×50 mm (1.97×1.97 in)

INSULATOR (Light foam block)

80845-71L00: 30 mm (1.18 in) thick, 30×50 mm (1.18×1.97 in)

FELT CLOTH TAPE

Used to insulate where movement does not occur. Ideal for instrument panel applications.

68370-4B000: 15×25 mm (0.59×0.98 in) pad/68239-13E00: 5 mm (0.20 in) wide tape roll. The following materials not found in the kit can also be used to repair squeaks and rattles.

UHMW (TEFLON) TAPE

Insulates where slight movement is present. Ideal for instrument panel applications.

SQUEAK AND RATTLE TROUBLE DIAGNOSES

< SERVICE INFORMATION >

SILICONE GREASE

Used instead of UHMW tape that will be visible or not fit.

Note: Will only last a few months.

SILICONE SPRAY

Use when grease cannot be applied.

DUCT TAPE

Use to eliminate movement.

CONFIRM THE REPAIR

Confirm that the cause of a noise is repaired by test driving the vehicle. Operate the vehicle under the same conditions as when the noise originally occurred. Refer to the notes on the Diagnostic Worksheet.

Generic Squeak and Rattle Troubleshooting

INFOID:000000001704260

Refer to Table of Contents for specific component removal and installation information.

INSTRUMENT PANEL

Most incidents are caused by contact and movement between:

1. The cluster lid A and instrument panel
2. Acrylic lens and combination meter housing
3. Instrument panel to front pillar garnish
4. Instrument panel to windshield
5. Instrument panel mounting pins
6. Wiring harnesses behind the combination meter
7. A/C defroster duct and duct joint

These incidents can usually be located by tapping or moving the components to duplicate the noise or by pressing on the components while driving to stop the noise. Most of these incidents can be repaired by applying felt cloth tape or silicone spray (in hard to reach areas). Urethane pads can be used to insulate wiring harness.

CAUTION:

Do not use silicone spray to isolate a squeak or rattle. If you saturate the area with silicone, you will not be able to recheck the repair.

CENTER CONSOLE

Components to pay attention to include:

1. Shifter assembly cover to finisher
2. A/C control unit and cluster lid C
3. Wiring harnesses behind audio and A/C control unit

The instrument panel repair and isolation procedures also apply to the center console.

DOORS

Pay attention to the:

1. Finisher and inner panel making a slapping noise
2. Inside handle escutcheon to door finisher
3. Wiring harnesses tapping
4. Door striker out of alignment causing a popping noise on starts and stops

Tapping or moving the components or pressing on them while driving to duplicate the conditions can isolate many of these incidents. You can usually insulate the areas with felt cloth tape or insulator foam blocks from the NISSAN Squeak and Rattle Kit (J-43980) to repair the noise.

TRUNK

Trunk noises are often caused by a loose jack or loose items put into the trunk by the owner.

In addition look for:

1. Trunk lid bumpers out of adjustment
2. Trunk lid striker out of adjustment
3. The trunk lid torsion bars knocking together
4. A loose license plate or bracket

SQUEAK AND RATTLE TROUBLE DIAGNOSES

< SERVICE INFORMATION >

Most of these incidents can be repaired by adjusting, securing or insulating the item(s) or component(s) causing the noise.

SUNROOF/HEADLINING

Noises in the sunroof/headlining area can often be traced to one of the following:

1. Sunroof lid, rail, linkage or seals making a rattle or light knocking noise
2. Sun visor shaft shaking in the holder
3. Front or rear windshield touching headliner and squeaking

Again, pressing on the components to stop the noise while duplicating the conditions can isolate most of these incidents. Repairs usually consist of insulating with felt cloth tape.

OVERHEAD CONSOLE (FRONT AND REAR)

Overhead console noises are often caused by the console panel clips not being engaged correctly. Most of these incidents are repaired by pushing up on the console at the clip locations until the clips engage.

In addition look for:

1. Loose harness or harness connectors.
2. Front console map/reading lamp lense loose.
3. Loose screws at console attachment points.

SEATS

When isolating seat noise it's important to note the position the seat is in and the load placed on the seat when the noise is present. These conditions should be duplicated when verifying and isolating the cause of the noise.

Cause of seat noise include:

1. Headrest rods and holder
2. A squeak between the seat pad cushion and frame
3. The rear seatback lock and bracket

These noises can be isolated by moving or pressing on the suspected components while duplicating the conditions under which the noise occurs. Most of these incidents can be repaired by repositioning the component or applying urethane tape to the contact area.

UNDERHOOD

Some interior noise may be caused by components under the hood or on the engine wall. The noise is then transmitted into the passenger compartment.

Causes of transmitted underhood noise include:

1. Any component mounted to the engine wall
2. Components that pass through the engine wall
3. Engine wall mounts and connectors
4. Loose radiator mounting pins
5. Hood bumpers out of adjustment
6. Hood striker out of adjustment

These noises can be difficult to isolate since they cannot be reached from the interior of the vehicle. The best method is to secure, move or insulate one component at a time and test drive the vehicle. Also, engine RPM or load can be changed to isolate the noise. Repairs can usually be made by moving, adjusting, securing, or insulating the component causing the noise.

A
B
C
D
E
F
G
H
SE
J
K
L
M
N
O
P

SQUEAK AND RATTLE TROUBLE DIAGNOSES

< SERVICE INFORMATION >

Diagnostic Worksheet

INFOID:000000001704261

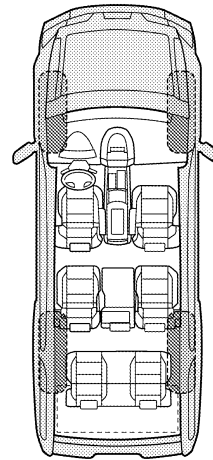
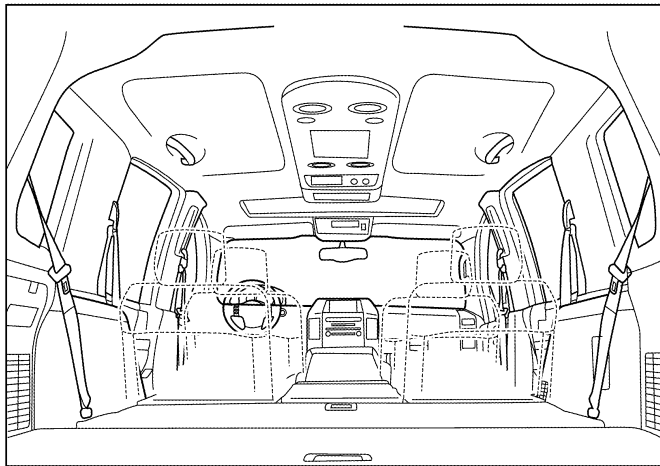
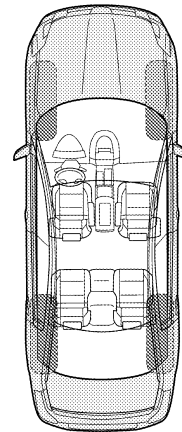
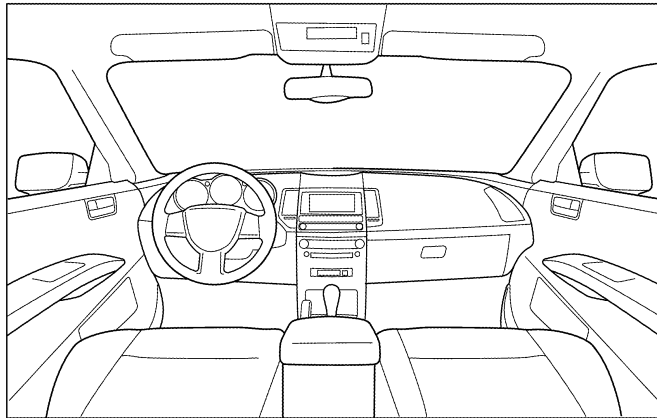
Dear Customer:

We are concerned about your satisfaction with your vehicle. Repairing a squeak or rattle sometimes can be very difficult. To help us fix your vehicle right the first time, please take a moment to note the area of the vehicle where the squeak or rattle occurs and under what conditions. You may be asked to take a test drive with a service advisor or technician to ensure we confirm the noise you are hearing.

SQUEAK & RATTLE DIAGNOSTIC WORKSHEET

I. WHERE DOES THE NOISE COME FROM? (circle the area of the vehicle)

The illustrations are for reference only, and may not reflect the actual configuration of your vehicle.



Continue to page 2 of the worksheet and briefly describe the location of the noise or rattle. In addition, please indicate the conditions which are present when the noise occurs.

SQUEAK AND RATTLE TROUBLE DIAGNOSES

< SERVICE INFORMATION >

SQUEAK & RATTLE DIAGNOSTIC WORKSHEET - page 2

Briefly describe the location where the noise occurs:

II. WHEN DOES IT OCCUR? (please check the boxes that apply)

- | | |
|---|--|
| <input type="checkbox"/> Anytime | <input type="checkbox"/> After sitting out in the rain |
| <input type="checkbox"/> 1st time in the morning | <input type="checkbox"/> When it is raining or wet |
| <input type="checkbox"/> Only when it is cold outside | <input type="checkbox"/> Dry or dusty conditions |
| <input type="checkbox"/> Only when it is hot outside | <input type="checkbox"/> Other: |

III. WHEN DRIVING:

- Through driveways
- Over rough roads
- Over speed bumps
- Only about ____ mph
- On acceleration
- Coming to a stop
- On turns: left, right or either (circle)
- With passengers or cargo
- Other: _____
- After driving ____ miles or ____ minutes

IV. WHAT TYPE OF NOISE

- Squeak (like tennis shoes on a clean floor)
- Creak (like walking on an old wooden floor)
- Rattle (like shaking a baby rattle)
- Knock (like a knock at the door)
- Tick (like a clock second hand)
- Thump (heavy muffled knock noise)
- Buzz (like a bumble bee)

TO BE COMPLETED BY DEALERSHIP PERSONNEL

Test Drive Notes:

	YES	NO	Initials of person performing
Vehicle test driven with customer	<input type="checkbox"/>	<input type="checkbox"/>	_____
- Noise verified on test drive	<input type="checkbox"/>	<input type="checkbox"/>	_____
- Noise source located and repaired	<input type="checkbox"/>	<input type="checkbox"/>	_____
- Follow up test drive performed to confirm repair	<input type="checkbox"/>	<input type="checkbox"/>	_____

VIN: _____ Customer Name _____

W.O.# _____ Date: _____

This form must be attached to Work Order

LAI0071E

A
B
C
D
E
F
G
H
SE
J
K
L
M
N
O
P

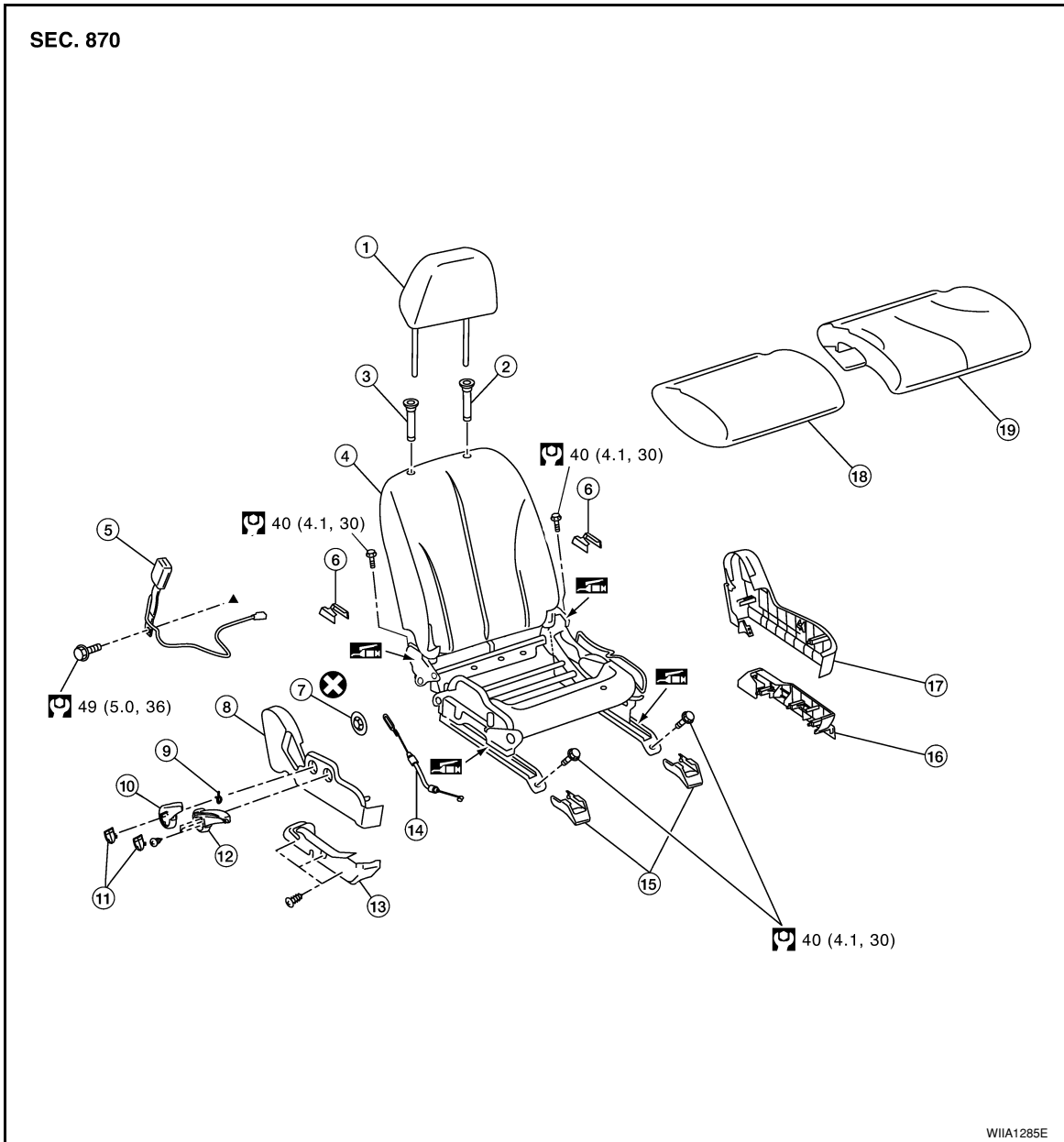
FRONT SEAT

< SERVICE INFORMATION >

FRONT SEAT

Driver Seat

INFOID:000000001704262



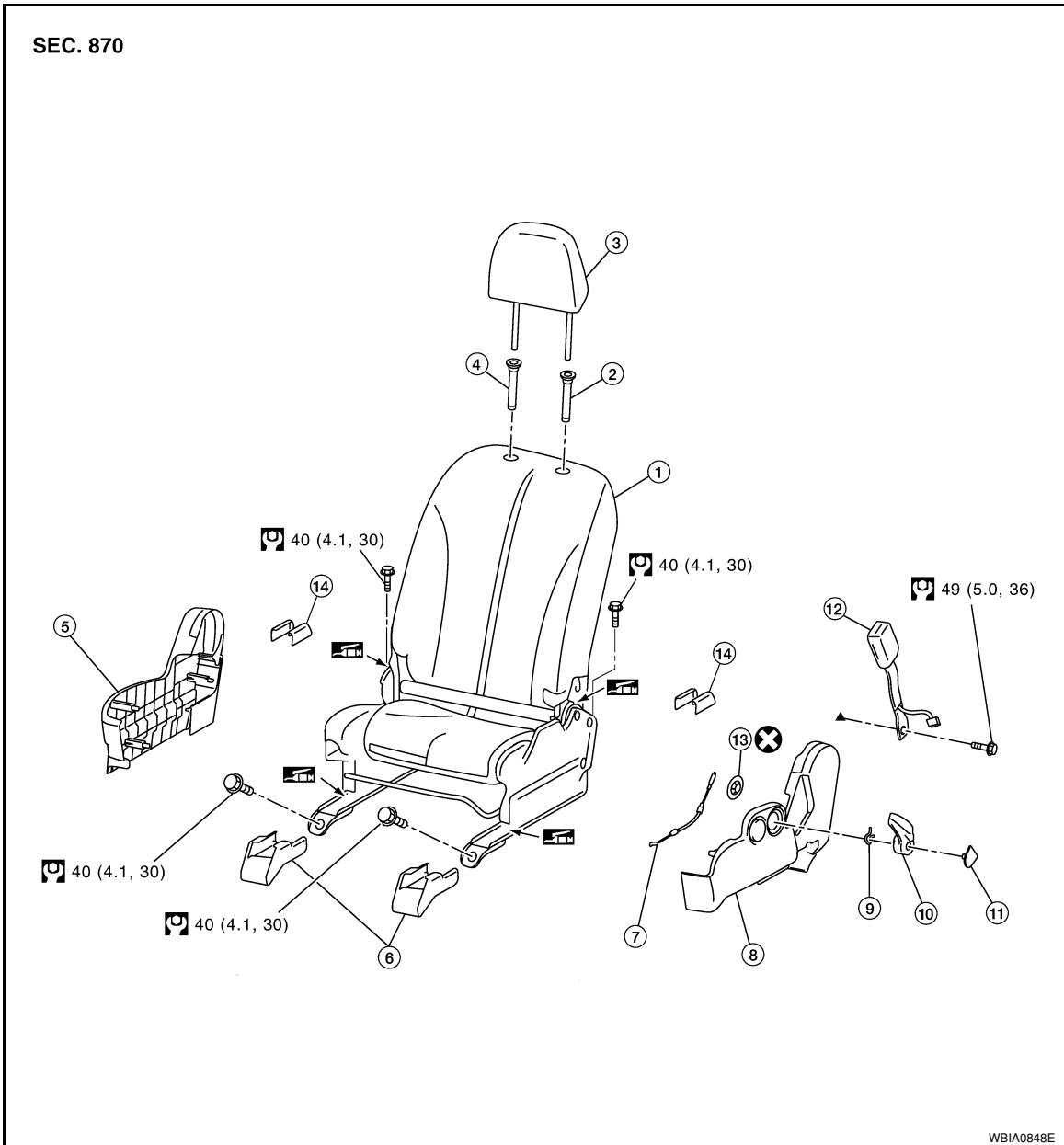
- | | | |
|---------------------------------|-----------------------------------|-----------------------------|
| 1. Headrest | 2. Headrest holder (free) | 3. Headrest holder (locked) |
| 4. Seat assembly | 5. Seat belt buckle | 6. Rear leg cover |
| 7. Push nut | 8. Seat cushion inner finisher | 9. Snap pin |
| 10. Reclining lever | 11. Lever cover | 12. Lifter lever |
| 13. Seat cushion finisher B | 14. Reclining device control wire | 15. Front leg cover |
| 16. Seat cushion lower finisher | 17. Seat cushion outer finisher | 18. Seat cushion pad |
| 19. Seat cushion trim | | |

FRONT SEAT

< SERVICE INFORMATION >

Passenger Seat

INFOID:000000001704263



- | | | |
|----------------------------------|--------------------------------|----------------------|
| 1. Seat assembly | 2. Head rest holder (free) | 3. Headrest |
| 4. Headrest holder (locked) | 5. Seat cushion outer finisher | 6. Front leg cover |
| 7. Reclining device control wire | 8. Seat cushion inner finisher | 9. Snap pin |
| 10. Reclining lever knob | 11. Lever cover | 12. Seat belt buckle |
| 13. Push nut | 14. Rear leg cover | |

Removal and Installation

INFOID:000000001704264

CAUTION:

- When removing and installing, use shop cloths to protect parts from damage.
- Disconnect both battery cables before work.

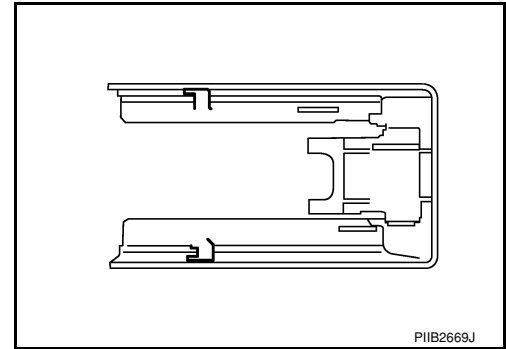
MANUAL SEAT

Removal

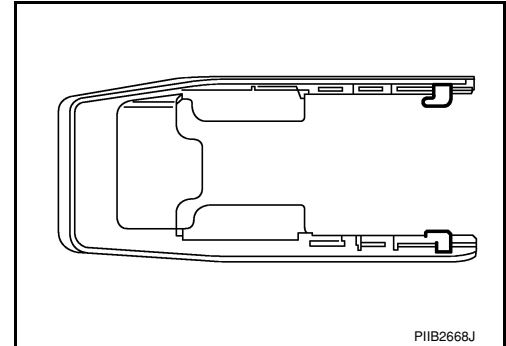
FRONT SEAT

< SERVICE INFORMATION >

1. Remove the rear leg covers.



2. Remove the front leg covers.



3. Remove the mounting bolts on the back side of the front seat. (TORX bolt: T50)
4. Remove the mounting bolts on the front side of the front seat. (TORX bolt: T50)
5. Disconnect the harness connector under the seat and remove harness securing clips.

CAUTION:

Before removal, be sure to turn ignition switch OFF, disconnect both battery cables, and then wait for at least 3 minutes.

6. Set seatback in a neutral position, and then remove front seat from the vehicle.

Installation

Install in the reverse order of removal. Be careful of the following three points.

- Before the installation, confirm that the inside and outside slide rails are locked at the same positions.
- Confirm that the slide rail location pin is set to the hole on the floor.
- Clamp the harness in position.

Disassembly and Assembly

INFOID:000000001704265

SEAT CUSHION TRIM AND PAD

CAUTION:

- **Front passenger seat is equipped with an Occupant Classification System sensor and control module. Do not disassemble front passenger seat cushion assembly or remove the trim as this will affect the Occupant Classification System calibration.**
- **During installation, the wire harness clips must be installed in the holes they were originally in. Do not add additional clips.**

Disassembly

1. Remove the retainer of seat cushion trim.
2. Remove the hog rings to separate the seat cushion pad and seat cushion trim.
3. Remove seat cushion trim and seat cushion pad from the seat cushion frame.

Assembly

Assembly is the reverse order of removal.

SEAT CUSHION FRAME

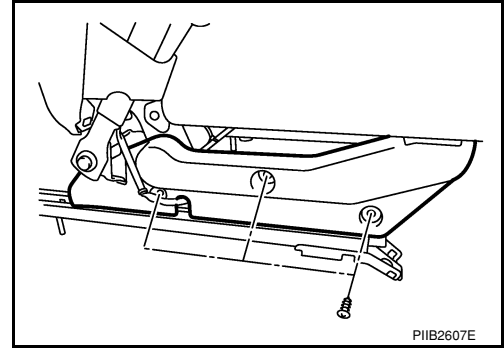
Disassembly

1. Remove the seat cushion trim and pad. Refer to "SEAT CUSHION TRIM AND PAD" .

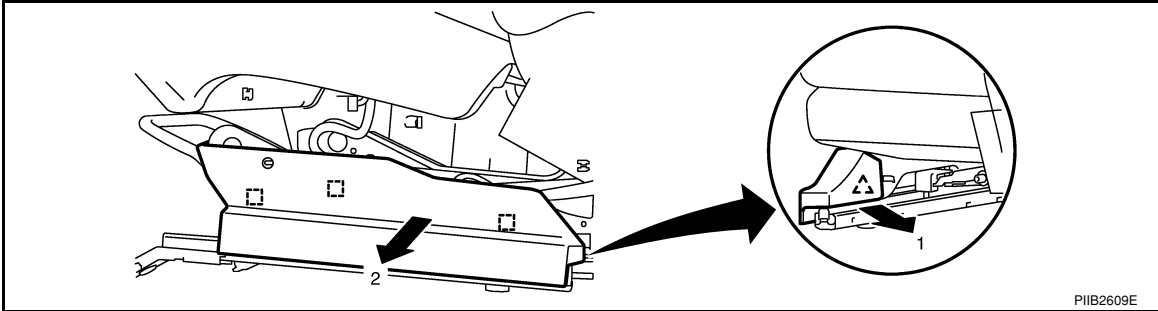
FRONT SEAT

< SERVICE INFORMATION >

2. Remove the seat cushion finisher B. (Driver seat)



3. Remove the seat cushion lower finisher.



4. Remove the front seat belt buckle.

Assembly

Assembly is the reverse order of removal.

A
B
C
D
E
F
G
H
J
K
L
M
N
O
P

SE

REAR SEAT

< SERVICE INFORMATION >

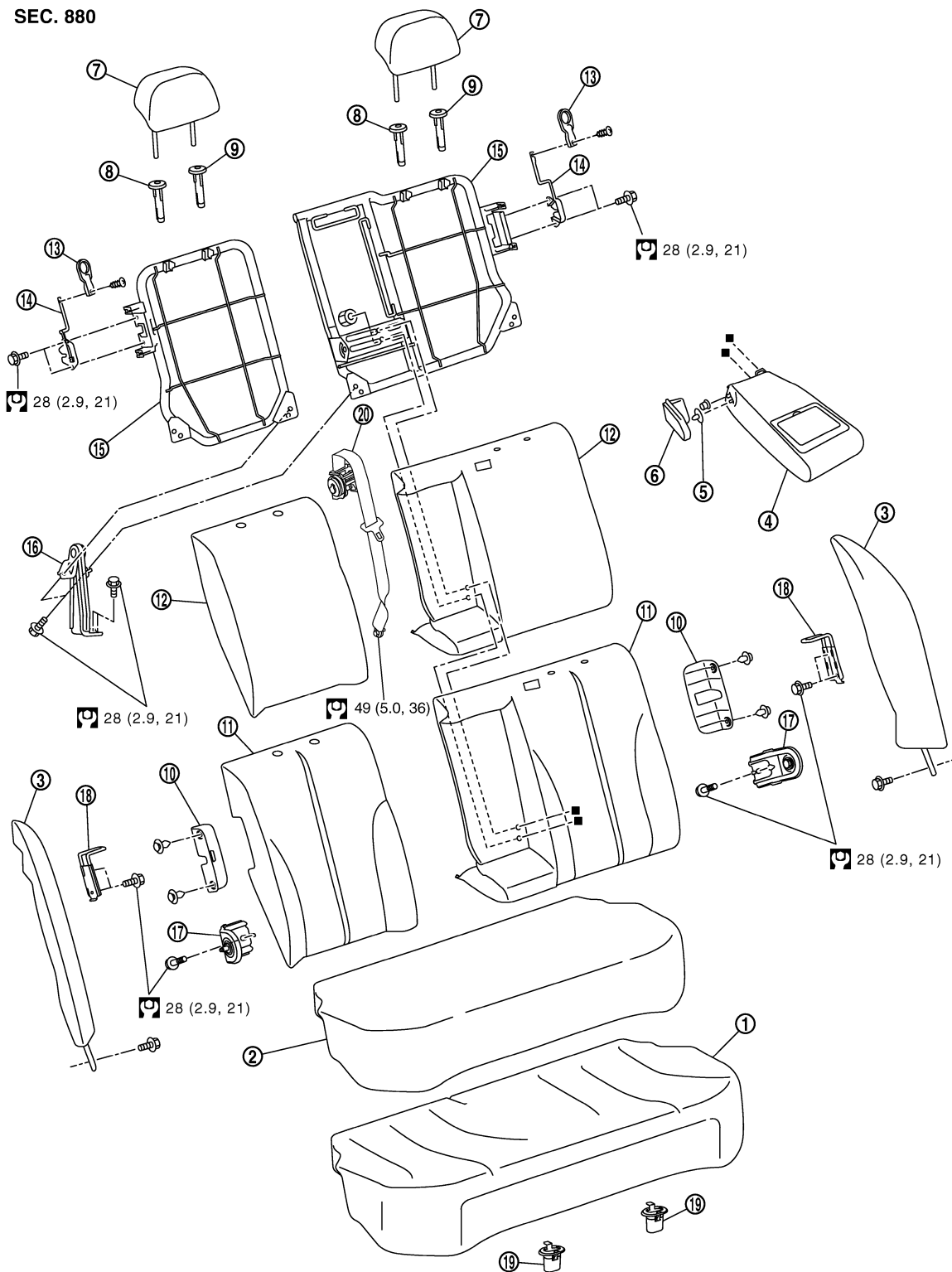
REAR SEAT

Component Parts Drawing

INFOID:00000001704266

60:40 SPLIT FOLD DOWN SEAT - HATCHBACK

SEC. 880



- 1. Seat cushion trim
- 2. Seat cushion pad
- 3. Seatback side
- 4. Armrest
- 5. Rear seat bushing
- 6. Armrest hinge cover

WIIA1231E

REAR SEAT

< SERVICE INFORMATION >

- | | | |
|----------------------------------|--------------------------------|-----------------------------|
| 7. Headrest | 8. Headrest holder (free) | 9. Headrest holder (locked) |
| 10. Striker cover | 11. Seatback trim | 12. Seatback pad |
| 13. Rear seatback lock knob | 14. Rear seat lock assembly | 15. Seatback frame |
| 16. Rear seatback center bracket | 17. Rear seatback side bracket | 18. Rear seat striker |
| 19. Seat cushion hook | 20. Center seat belt assembly | |

Removal and Installation

INFOID:000000001704267

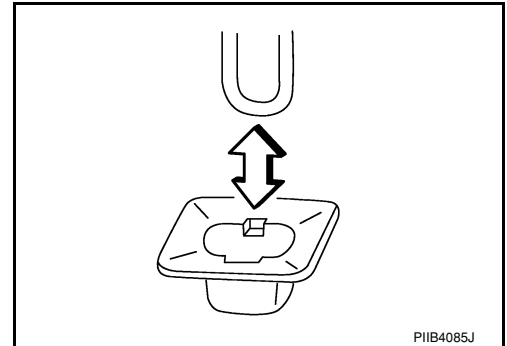
CAUTION:

When removing and installing, use shop cloths to protect parts from damage.

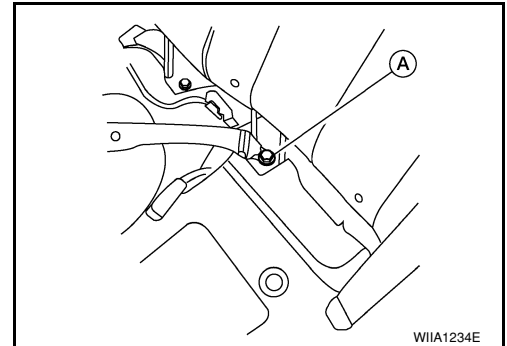
60:40 SPLIT FOLD DOWN SEAT - HATCHBACK

Removal

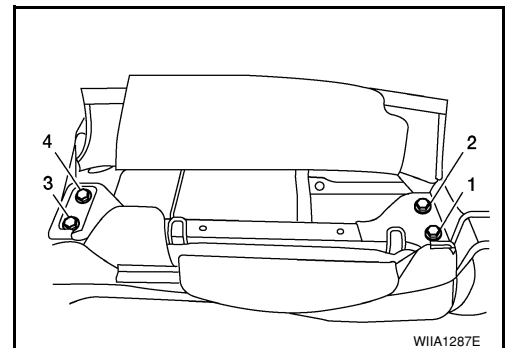
1. Pull seat cushion up, and then remove the seat cushion from the seat cushion hook.



2. Remove the center seatbelt anchor bolt from under the seat.



3. Remove the seatback mounting bolts from the right rear seat back brackets.

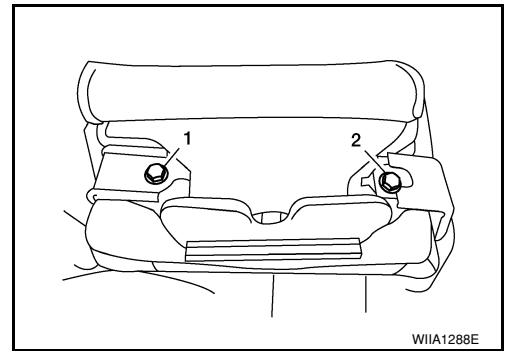


A
B
C
D
E
F
G
H
SE
J
K
L
M
N
O
P

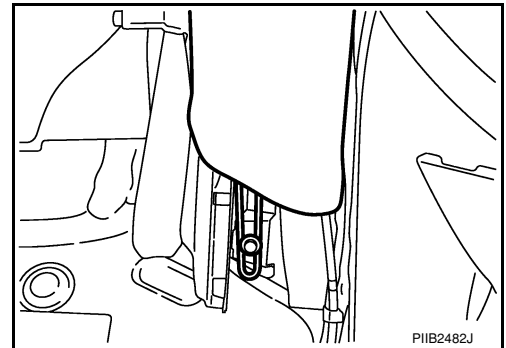
REAR SEAT

< SERVICE INFORMATION >

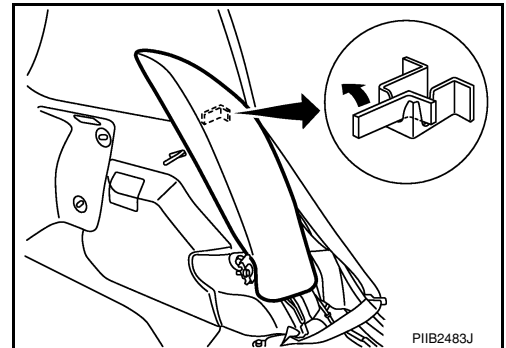
4. Remove the seatback mounting bolts from the left rear seat back brackets.



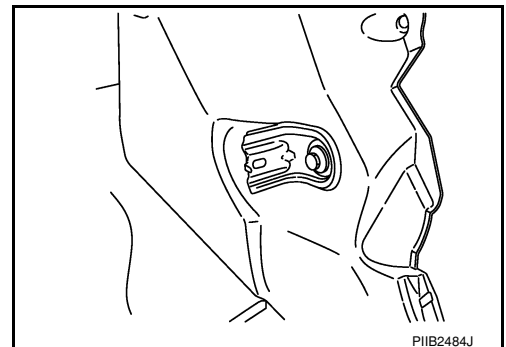
5. Remove the seatback from the vehicle.
6. Remove the kicking plate rear inner. Refer to [EI-38, "Removal and Installation"](#).
7. Remove the bolt under the seatback side.



8. Pull seatback side up, and then remove seatback side.



9. Remove the bolts, and then remove rear seatback center bracket.
10. Remove the bolt, and then remove rear seatback side bracket from the vehicle.



11. Remove the rear seatback finisher. Refer to [EI-51, "Removal and Installation"](#).
12. Remove the bolts, and then remove the rear seat striker.

Installation

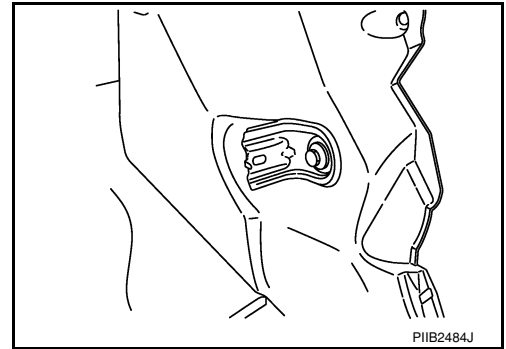
Installation is the reverse order of removal. Be careful of the following point.

- Seatback assembly and rear seatback side bracket installation procedure.

REAR SEAT

< SERVICE INFORMATION >

1. Install the rear seatback side bracket in the vehicle.



2. Temporarily tighten the seatback assembly and rear seatback side bracket.
3. Lift to fold up seatback assembly. Be sure to lock seatback assembly to rear seat striker.
4. Tighten the bolt.

NOTE:

Confirm that side hinge bracket location pin is set to the hole on the seatback backside.

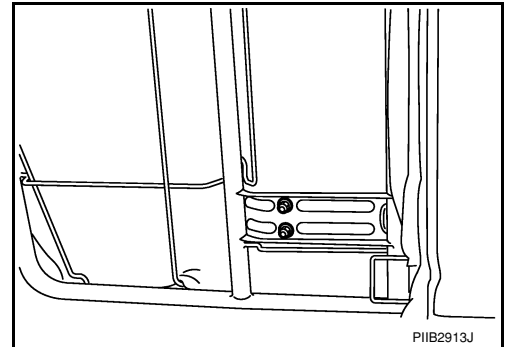
Disassembly and Assembly

INFOID:000000001704268

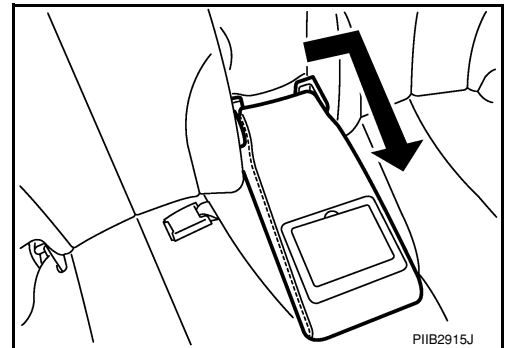
60:40 SPLIT FOLD DOWN SEAT - HATCHBACK

Disassembly of Armrest

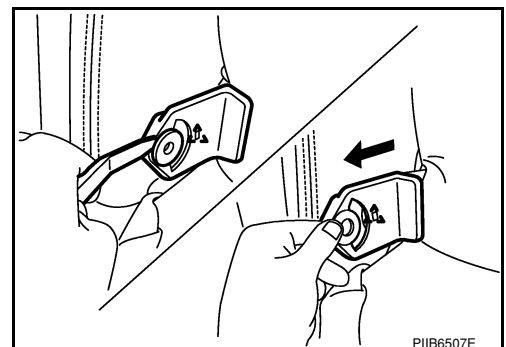
1. Fold up the backside of the seatback trim and then remove the armrest nuts.



2. Push the armrest toward left side while pulling backward to remove.



3. Remove the rear seat bushing, and then remove the armrest hinge cover by pulling it backward.



A
B
C
D
E
F
G
H
SE
J
K
L
M
N
O
P

REAR SEAT

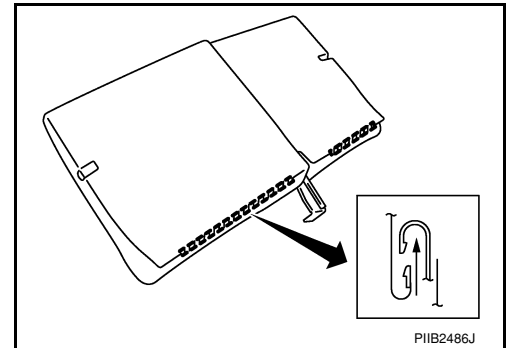
< SERVICE INFORMATION >

Assembly of Armrest

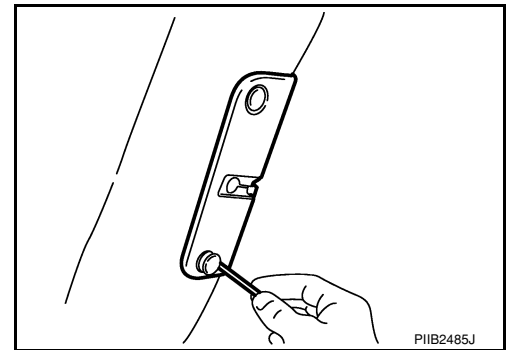
Assembly in the reverse order of disassembly.

Disassembly of Seatback Trim and Pad

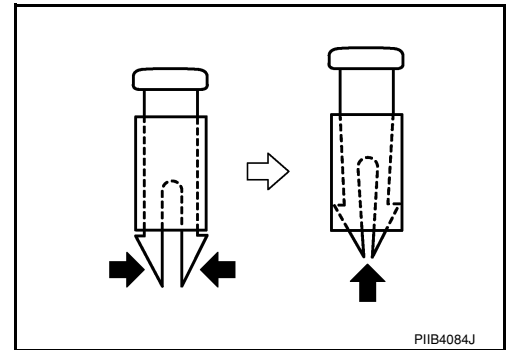
1. Remove the headrest.
2. Remove the retainer under the back of seatback.



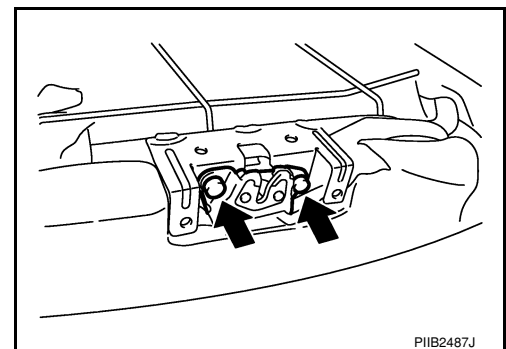
3. Remove the clips, and then remove the striker cover.



4. Remove the headrest holder.



5. To remove armrest, refer to "Disassembly of Armrest " .
6. Remove the seatback trim.
7. Remove the bolts, and then remove the rear seat lock assembly.



8. Remove the seatback pad from the seatback frame.
9. Remove the seatback center bracket bolt and then remove the seatback frame.

REAR SEAT

< SERVICE INFORMATION >

Assembly of Seatback Trim and Pad

Assembly is the reverse order of disassembly. Be careful of the following one point.

- Before installing headrest holder, check its orientation (front/rear and right/left).

A

Disassembly of Seat Cushion Trim and Pad

Remove the rings to separate the trim and pad.

B

Assembly of Seat Cushion Trim and Pad

Assembly is the reverse order of disassembly.

C

D

E

F

G

H

SE

J

K

L

M

N

O

P

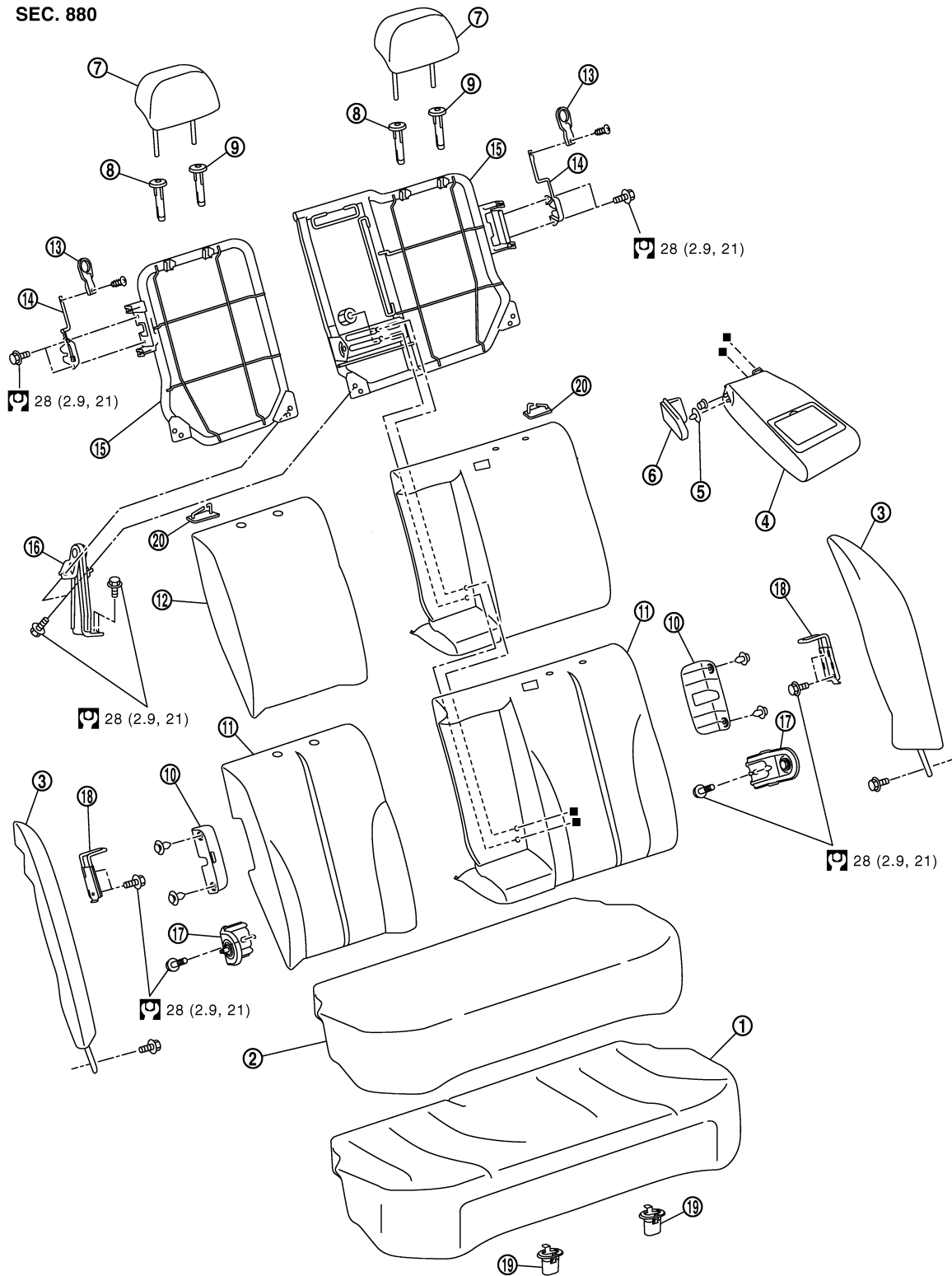
REAR SEAT

< SERVICE INFORMATION > Component Parts Drawing

INFOID:000000001704269

60:40 SPLIT FOLD DOWN SEAT - SEDAN

SEC. 880



WBIA0849E

- | | | |
|----------------------|---------------------------|-----------------------------|
| 1. Seat cushion trim | 2. Seat cushion pad | 3. Seatback side |
| 4. Armrest | 5. Rear seat bushing | 6. Armrest hinge cover |
| 7. Headrest | 8. Headrest holder (free) | 9. Headrest holder (locked) |
| 10. Striker cover | 11. Seatback trim | 12. Seatback pad |

REAR SEAT

< SERVICE INFORMATION >

- | | | |
|----------------------------------|--------------------------------|-----------------------|
| 13. Rear seatback lock knob | 14. Rear seat lock assembly | 15. Seatback frame |
| 16. Rear seatback center bracket | 17. Rear seatback side bracket | 18. Rear seat striker |
| 19. Seat cushion hook | 20. Seatbelt guide | |

Removal and Installation

INFOID:000000001704270

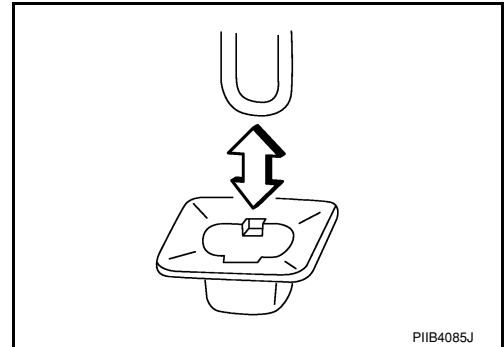
CAUTION:

When removing and installing, use shop cloths to protect parts from damage.

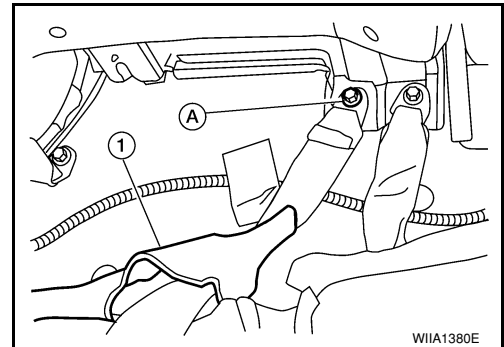
60:40 SPLIT FOLD DOWN SEAT - SEDAN

Removal

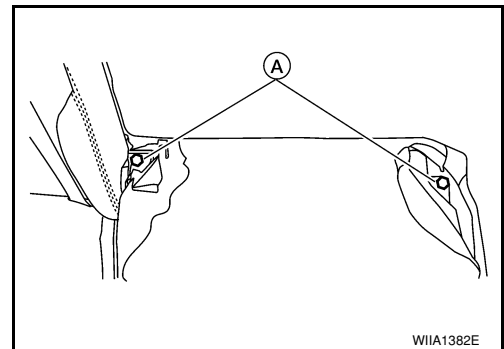
1. Pull seat cushion up, and then remove the seat cushion from the seat cushion hook. Slide the seat cushion forward.



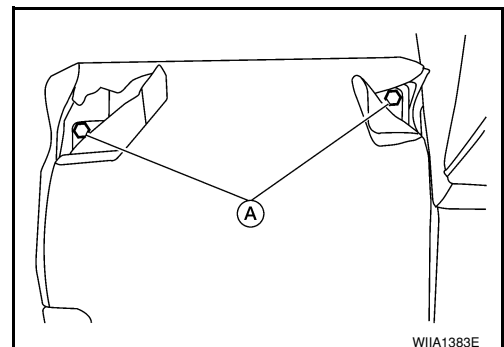
2. Remove the center seatbelt anchor bolt (A) from under the seat and slide the seatbelt through the seat cushion trim cover.



3. Fold the right seatback and remove the seatback mounting bolts (A) from the left rear seat back brackets. Remove the seatback from the vehicle.



4. Fold the left seatback and remove the seatback mounting bolts (A) from the left rear seat back brackets. Remove the seatback from the vehicle.

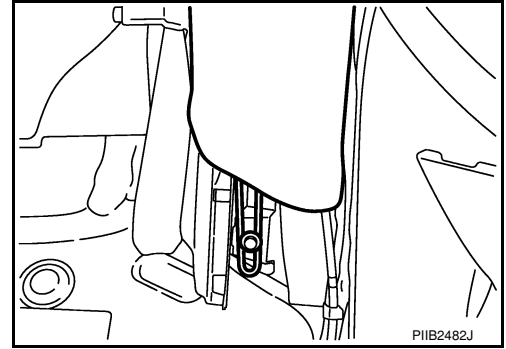


A
B
C
D
E
F
G
H
SE
J
K
L
M
N
O
P

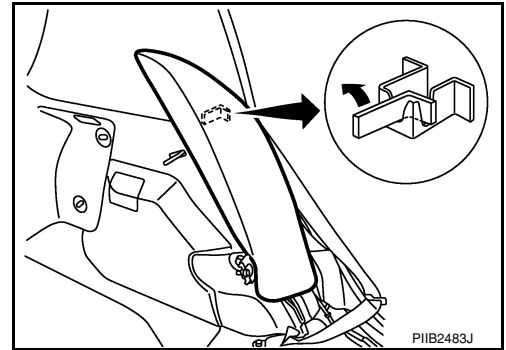
REAR SEAT

< SERVICE INFORMATION >

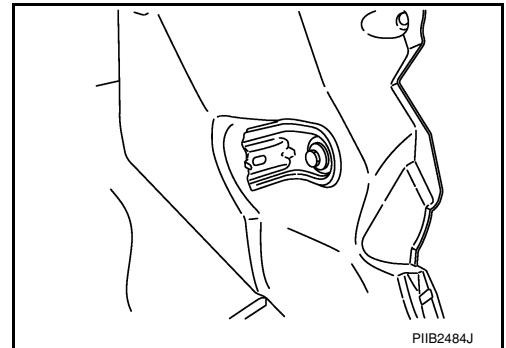
5. Remove the kicking plate rear inner. Refer to [EI-38. "Removal and Installation"](#) .
6. Remove the bolt under the seatback side.



7. Pull seatback side up, and then remove seatback side.



8. Remove the bolts, and then remove rear seatback center bracket.
9. Remove the bolt, and then remove rear seatback side bracket from the vehicle.

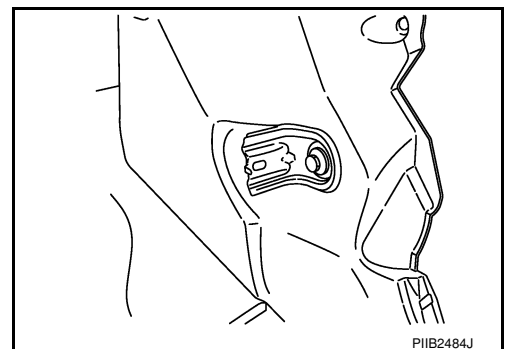


10. Remove the rear seatback finisher. Refer to [EI-51. "Removal and Installation"](#) .
11. Remove the bolts, and then remove the rear seat striker.

Installation

Installation is the reverse order of removal. Be careful of the following point.

- Seatback assembly and rear seatback side bracket installation procedure.
1. Install the rear seatback side bracket in the vehicle.



2. Temporarily tighten the seatback assembly and rear seatback side bracket.
3. Lift to fold up seatback assembly. Be sure to lock seatback assembly to rear seat striker.
4. Tighten the bolt.

REAR SEAT

< SERVICE INFORMATION >

NOTE:

Confirm that side hinge bracket location pin is set to the hole on the seatback backside.

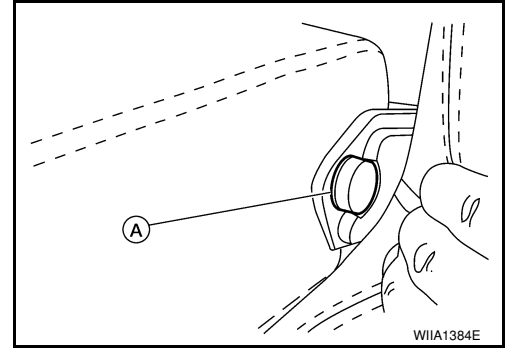
Disassembly and Assembly

INFOID:000000001704271

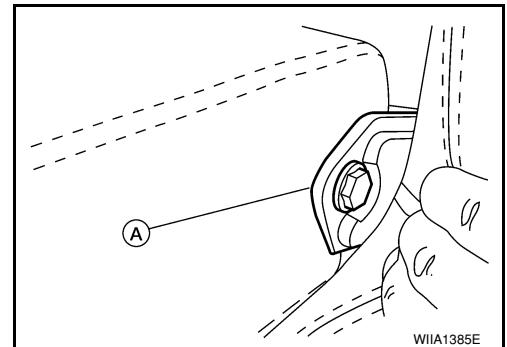
60:40 SPLIT FOLD DOWN SEAT - SEDAN

Disassembly of Armrest

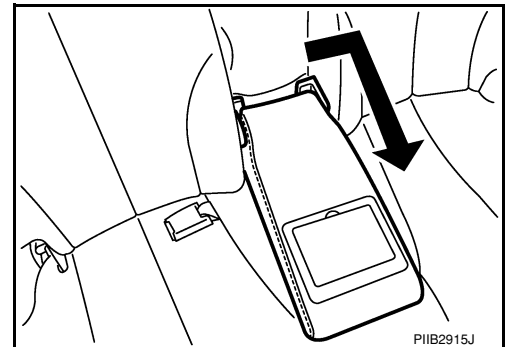
1. Fold down the armrest and remove the armrest bolt cover (A).



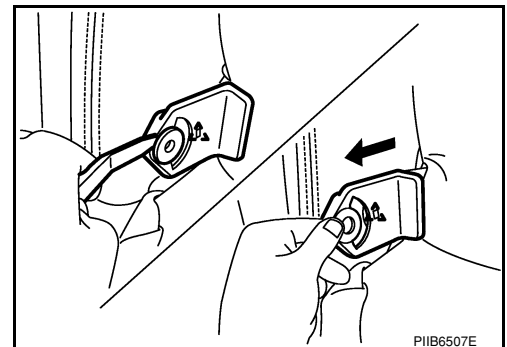
2. Remove the armrest bolt (A).



3. Push the armrest toward left side while pulling backward to remove.



4. Remove the rear seat bushing, and then remove the armrest hinge cover by pulling it backward.



Assembly of Armrest

Assembly in the reverse order of disassembly.

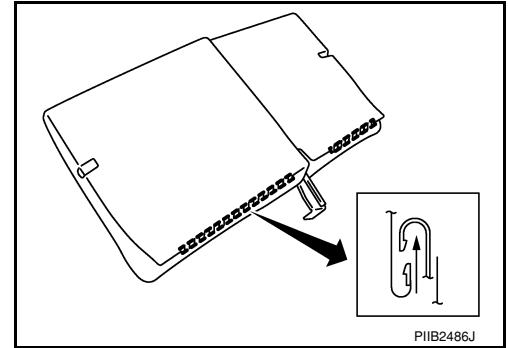
A
B
C
D
E
F
G
H
SE
J
K
L
M
N
O
P

REAR SEAT

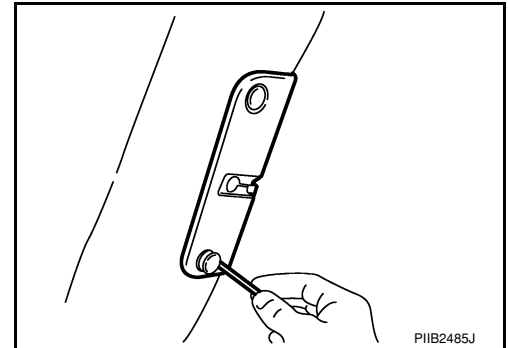
< SERVICE INFORMATION >

Disassembly of Seatback Trim and Pad

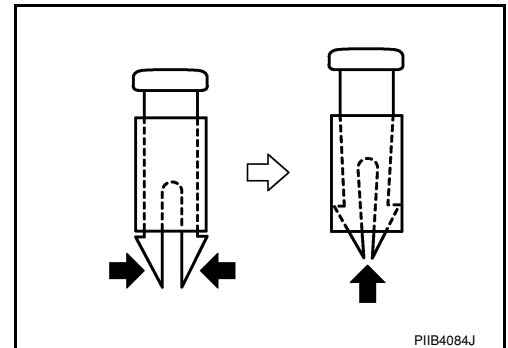
1. Remove the headrest.
2. Remove the retainer under the back of seatback.



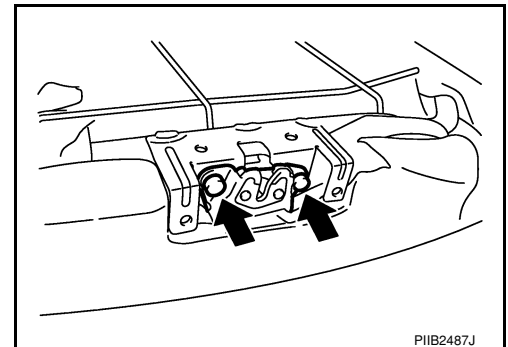
3. Remove the clips, and then remove the striker cover.



4. Remove the headrest holder.



5. To remove armrest, refer to "Disassembly of Armrest " .
6. Remove the seatback trim.
7. Remove the bolts, and then remove the rear seat lock assembly.



8. Remove the seatback pad from the seatback frame.
9. Remove the seatback center bracket bolt and then remove the seatback frame.

Assembly of Seatback Trim and Pad

Assembly is the reverse order of disassembly. Be careful of the following one point.

- Before installing headrest holder, check its orientation (front/rear and right/left).

REAR SEAT

< SERVICE INFORMATION >

Disassembly of Seat Cushion Trim and Pad
Remove the rings to separate the trim and pad.

Assembly of Seat Cushion Trim and Pad
Assembly is the reverse order of disassembly.

Removal and Installation

INFOID:000000001704272

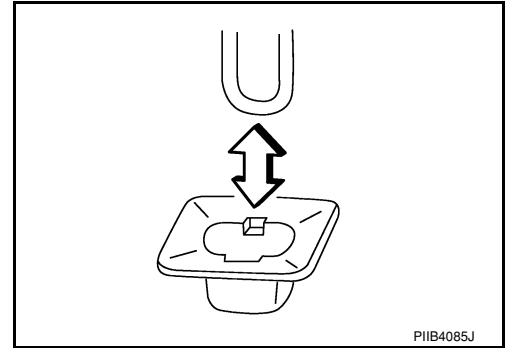
CAUTION:

When removing and installing, use shop cloths to protect parts from damage.

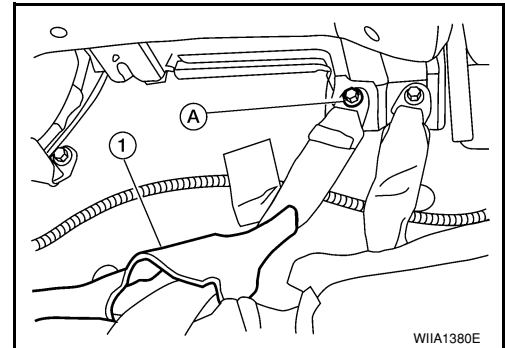
FIXED BACK SEAT

Removal

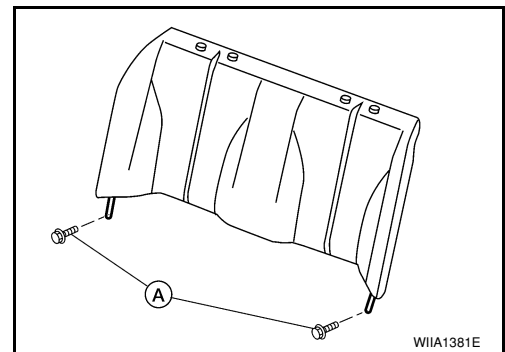
1. Pull seat cushion up, and then remove the seat cushion from the seat cushion hook. Slide the seat cushion forward.



2. Remove the center seatbelt anchor bolt (A) from under the seat and slide the seatbelt through the seat cushion trim cover.



3. Remove the lower seatback bolts and lift seatback to disengage from upper seatback bracket.



Installation

Installation is the reverse order of removal.

Disassembly and Assembly

INFOID:000000001704273

FIXED BACK SEAT

Disassembly of Seatback Trim and Pad
Remove the rings to separate the trim and pad.

Assembly of Seatback Trim and Pad
Assembly is the reverse order of disassembly. Be careful of the following one point.

A
B
C
D
E
F
G
H
SE
J
K
L
M
N
O
P

REAR SEAT

< SERVICE INFORMATION >

Disassembly of Seat Cushion Trim and Pad
Remove the rings to separate the trim and pad.

Assembly of Seat Cushion Trim and Pad
Assembly is the reverse order of disassembly.