

SECTION **WW**

WIPER, WASHER & HORN

A
B
C

CONTENTS

D
E

PRECAUTION 3		
Precautions for Supplemental Restraint System (SRS) "AIR BAG" and "SEAT BELT PRE-TENSIONER" 3		F
Precautions for Procedures without Cowl Top Cover... 3		G
FRONT WIPER AND WASHER SYSTEM 4		H
Components Parts and Harness Connector Location 4		H
System Description 4		I
OUTLINE 4		I
LOW SPEED WIPER OPERATION 5		J
HIGH SPEED WIPER OPERATION 5		J
INTERMITTENT OPERATION 5		J
AUTO STOP OPERATION 6		J
WASHER OPERATION 6		J
MIST OPERATION 6		J
FAIL-SAFE FUNCTION 6		J
COMBINATION SWITCH READING FUNCTION... 6		J
CAN Communication System Description 7		J
Schematic 8		J
Wiring Diagram — WIPER — 9		J
Terminals and Reference Values for BCM 12		J
Terminals and Reference Values for IPDM E/R ... 12		J
How to Proceed With Trouble Diagnosis 12		J
Preliminary Check 12		J
CHECK POWER SUPPLY AND GROUND CIRCUIT FOR BCM 12		J
CONSULT-II Functions (BCM) 12		J
CONSULT-II START PROCEDURE 12		J
WORK SUPPORT 12		J
DATA MONITOR 12		J
ACTIVE TEST 13		J
CONSULT-II Function (IPDM E/R) 14		J
CONSULT-II START PROCEDURE 14		J
DATA MONITOR 14		J
ACTIVE TEST 14		J
Front Wiper Does Not Operate 15	Five Times, They Become Inoperative) 17	J
Front Wiper Does Not Return to Stop Position (After Front Wiper Operate for 10 Seconds, They Stop for 20 Seconds, and After Repeating the Operations	Only Front Wiper Low Does Not Operate 19	J
	Only Front Wiper Hi Does Not Operate 20	J
	Only Front Wiper Intermittent Does Not Operate ... 22	J
	Front Wiper Intermittent Operation Switch Position Cannot Be Adjusted 22	J
	Wiper Does Not Wipe When Front Washer Operates 22	J
	Front Wiper Does Not Stop 23	J
	Removal and Installation of Front Wiper Arms 24	J
	REMOVAL 24	J
	INSTALLATION 24	J
	Adjustment of Wiper Arm Stop Location 24	J
	ADJUSTMENT 24	J
	Removal and Installation of Front Wiper Drive Assembly 25	J
	REMOVAL 25	J
	INSTALLATION 25	J
	Removal and Installation of Front Washer Nozzle.. 25	J
	REMOVAL 25	J
	INSTALLATION 26	J
	Inspection for Washer Nozzle 26	J
	CHECK VALVE INSPECTION 26	J
	Washer Nozzle Adjustment 27	J
	Washer Tube Layout 28	J
	Removal and Installation of Front Wiper and Washer Switch 28	J
	REMOVAL 28	J
	INSTALLATION 28	J
	Inspection of Front Wiper and Washer Switch Circuit. 28	J
	Removal and Installation of Washer Tank 28	J
	REMOVAL 28	J
	INSTALLATION 29	J
	Removal and Installation of Front Washer Motor ... 29	J
	REMOVAL 29	J
	INSTALLATION 29	J
	REAR WIPER AND WASHER SYSTEM 30	J
	Components Parts and Harness Connector Location 30	J
	System Description 30	J

F
G
H
I
J
L
M

WW

REAR WIPER OPERATION	31	REAR WIPER ARM	40
INTERMITTENT OPERATION	31	REAR WIPER MOTOR	41
AUTO STOP OPERATION	31	REAR WASHER TUBE LAYOUT	42
REAR WASHER OPERATION	31	REAR WASHER NOZZLE	42
BCM WIPER SWITCH READING FUNCTION ...	32	WASHER FLUID RESERVOIR	43
Wiring Diagram — WIP/R —	33	WIPER AND WASHER SWITCH	43
Terminals and Reference Values for BCM	35	WASHER MOTOR	43
How to Proceed With Trouble Diagnosis	35	Washer Nozzle Adjustment	43
Preliminary Check	35	POWER SOCKET	44
CHECK POWER SUPPLY AND GROUND CIR- CUIT FOR BCM	35	Wiring Diagram — P/SCKT —	44
CONSULT-II Function (BCM)	35	Removal and Installation	45
Rear Wiper Does Not Operate	35	REMOVAL	45
Rear Wiper Stop Position Is Incorrect	37	INSTALLATION	45
Only Rear Wiper Does Not Operate	38	HORN	46
Only Rear Wiper Intermittent Does Not Operate ...	38	Wiring Diagram — HORN —	46
Wiper Does Not Wipe When Rear Washer Operates..	39	Removal and Installation	47
Removal and Installation	40	REMOVAL	47
		INSTALLATION	47

PRECAUTION

PRECAUTION

PFP:00011

Precautions for Supplemental Restraint System (SRS) “AIR BAG” and “SEAT BELT PRE-TENSIONER”

EKS001CZ

The Supplemental Restraint System such as “AIR BAG” and “SEAT BELT PRE-TENSIONER”, used along with a front seat belt, helps to reduce the risk or severity of injury to the driver and front passenger for certain types of collision. This system includes seat belt switch inputs and dual stage front air bag modules. The SRS system uses the seat belt switches to determine the front air bag deployment, and may only deploy one front air bag, depending on the severity of a collision and whether the front occupants are belted or unbelted. Information necessary to service the system safely is included in the SRS and SB section of this Service Manual.

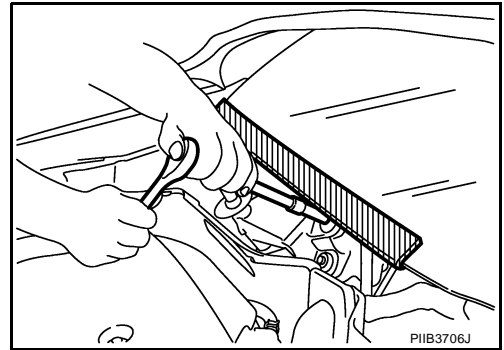
WARNING:

- To avoid rendering the SRS inoperative, which could increase the risk of personal injury or death in the event of a collision which would result in air bag inflation, all maintenance must be performed by an authorized NISSAN/INFINITI dealer.
- Improper maintenance, including incorrect removal and installation of the SRS, can lead to personal injury caused by unintentional activation of the system. For removal of Spiral Cable and Air Bag Module, see the SRS section.
- Do not use electrical test equipment on any circuit related to the SRS unless instructed to in this Service Manual. SRS wiring harnesses can be identified by yellow and/or orange harnesses or harness connectors.

Precautions for Procedures without Cowl Top Cover

EKS0011E

When performing the procedure after removing cowl top cover, cover the lower end of windshield with urethane, etc.



A
B
C
D
E
F
G
H
I
J
L
M

WW

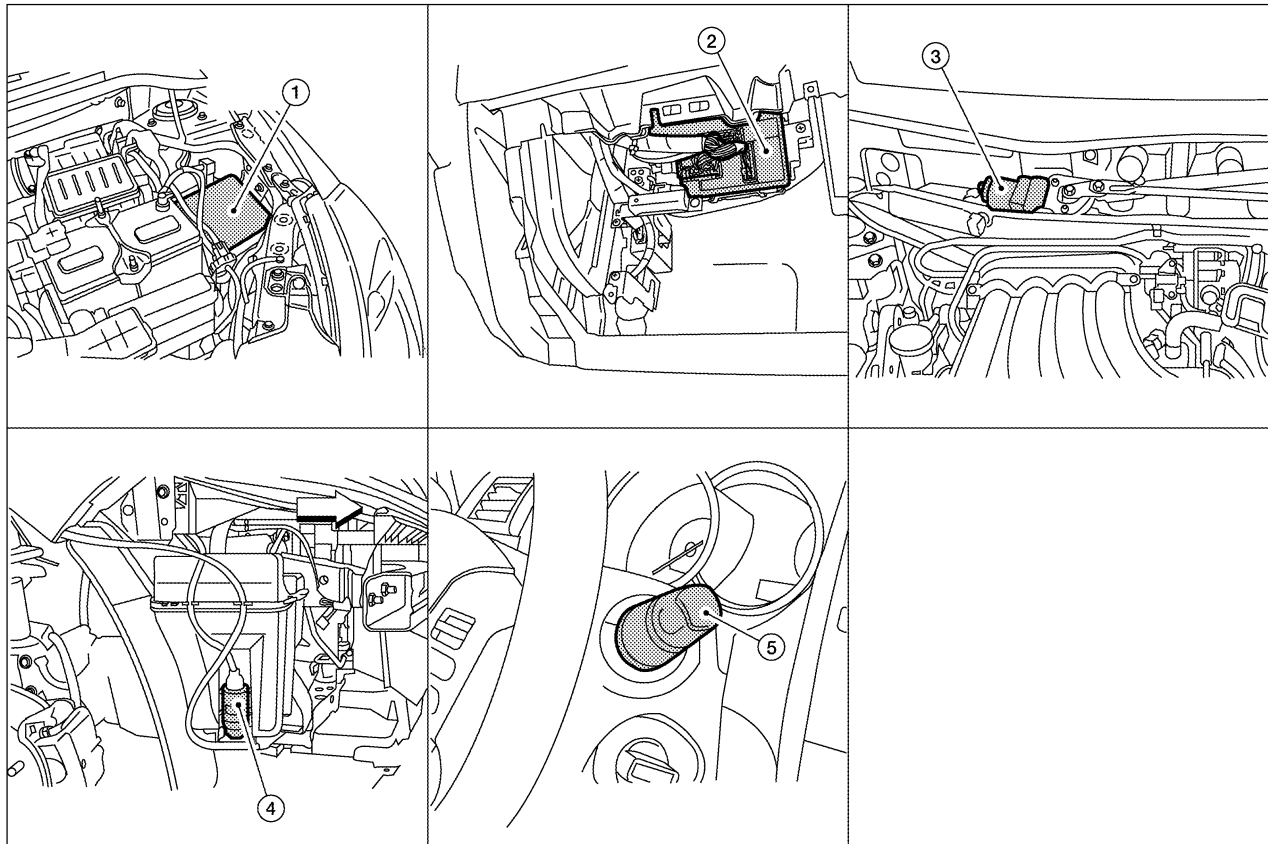
FRONT WIPER AND WASHER SYSTEM

FRONT WIPER AND WASHER SYSTEM

PF2:28810

Components Parts and Harness Connector Location

EKS0011G



WKIA5467E

1. IPDM E/R E45, E46 and E48
2. BCM M18 and M20 (view with glove box removed)
3. Front wiper motor E1 (View with cowl top cover removed)
4. Front and rear washer motor E2 (View with front fender protector LH removed)
5. Combination switch (wiper switch) M28

System Description

EKS0011H

- Front wiper relays (front wiper relay, front wiper high relay) are located in the IPDM E/R (intelligent power distribution module engine room).
- Wiper switch (combination switch) is composed of a combination of 5 output terminals and 5 input terminals. Terminal combination status is read by BCM (body control module) when switch is turned ON.
- BCM controls front wiper LO, HI, and INT (intermittent) operation.
- IPDM E/R operates wiper motor according to CAN communication signals from BCM.

OUTLINE

Power is supplied at all times

- to ignition relay, located in IPDM E/R, from battery directly,
- through 40A fusible link (letter g, located in fuse, fusible link and relay box)
- to BCM terminal 70,
- through 30A fuse (No. 39, located in IPDM E/R)
- to front wiper relay located in IPDM E/R
- through 15A fuse (No. 52, located in IPDM E/R), and
- through 20A fuse (No. 53, located in IPDM E/R)
- to CPU located in IPDM E/R.

When ignition switch is in ON or START position, power is supplied

- through ignition relay (located in IPDM E/R)

FRONT WIPER AND WASHER SYSTEM

- to front wiper relay (located in IPDM E/R), and
- to front wiper high relay (located in IPDM E/R) and
- to CPU (located in IPDM E/R),
- through 10A fuse [No. 6, located in fuse block (J/B)]
- to BCM terminal 38,
- through 15A fuse [No. 4, located in fuse block (J/B)]
- to combination switch terminal 14.

Ground is supplied

- to IPDM E/R terminals 39 and 59 and
- to front wiper motor terminal 2
- through grounds E15 and E24,
- to BCM terminal 67
- to combination switch terminal 12
- through grounds M57 and M61.

LOW SPEED WIPER OPERATION

When the front wiper switch is in LO position, the BCM detects the low speed wiper ON signal by means of the BCM wiper switch reading function.

The BCM sends a front wiper request signal (LO) through the CAN communication line

- from BCM terminals 39 and 40
- to IPDM E/R terminals 40 and 41.

When the IPDM E/R receives front wiper request signal (LO), it turns ON front wiper relay, located in IPDM E/R, power is supplied

- through IPDM E/R terminal 33 and front wiper high relay and front wiper relay
- to front wiper motor terminal 3.

Ground is supplied

- to front wiper motor terminal 2
- through grounds E15 and E24.

With power and ground is supplied, front wiper motor operates at low speed.

HIGH SPEED WIPER OPERATION

When the front wiper switch is in HI position, the BCM detects a high speed wiper ON signal by means of the BCM wiper switch reading function.

The BCM sends a front wiper request signal (HI) through the CAN communication line

- from BCM terminals 39 and 40
- to IPDM E/R terminals 40 and 41.

When the IPDM E/R receives front wiper request signal (HI), it turns ON front wiper relay and front wiper high relay, located in IPDM E/R, power is supplied

- through IPDM E/R terminal 32
- to front wiper motor terminal 5.

Ground is supplied

- to front wiper motor terminal 2
- through grounds E15 and E24.

With power and ground is supplied, front wiper motor operates at high speed.

INTERMITTENT OPERATION

Wiper intermittent operation delay interval is determined from the intermittent wiper dial position inputs. During each intermittent operation delay interval, the BCM sends a front wiper request signal to the IPDM E/R to operate the wipers.

When the ignition switch is in the ON or START position, and the front wiper switch is turned to the intermittent position, the BCM detects a front wiper (intermittent) ON signal by means of the BCM wiper switch reading function.

BCM then sends front wiper (intermittent) request signal through the CAN communication lines

A

B

C

D

E

F

G

H

I

J

WW

L

M

FRONT WIPER AND WASHER SYSTEM

- from BCM terminals 39 and 40
- to IPDM E/R terminals 40 and 41.

When BCM determines that combination switch status is front wiper intermittent ON, it performs the following operations.

- BCM detects ON/OFF status of intermittent wiper dial position
- BCM calculates operation interval from wiper dial position.
- BCM sends a front wiper request signal (INT) to IPDM E/R at calculated operation interval.

When IPDM E/R receives the front wiper request signal (INT), it supplies ground to energize the front wiper relay. It then sends auto-stop signal to the BCM and conducts intermittent front wiper motor operation.

AUTO STOP OPERATION

With wiper switch turned OFF, wiper motor will continue to operate until wiper arms reach windshield base. When the wiper arms are not located at base of windshield with wiper switch OFF, ground is supplied

- from IPDM E/R terminal 33
- to front wiper motor terminal 3, in order to continue wiper motor operation at low speed.

When the wiper arms reach base of windshield, front wiper motor terminals 4 and 2 are connected, and ground is supplied

- to IPDM E/R terminal 38
- through front wiper motor terminals 4 and 2
- through grounds E15 and E24.

Then the IPDM E/R sends auto stop operation signal to BCM with CAN communication line.

When the BCM receives auto-stop operation signal, BCM sends wiper stop signal to IPDM E/R with CAN communication line.

IPDM E/R stops wiper motor. Wiper motor will then stop wiper arms at the STOP position.

WASHER OPERATION

When the wiper switch is in front wiper washer position, BCM detect front wiper washer signal by BCM wiper switch reading function. Refer to [BCS-3, "COMBINATION SWITCH READING FUNCTION"](#).

Combination switch power is supplied

- through combination switch terminal 14
- to washer motor terminal 1.

Ground is supplied

- to front washer motor terminal 2
- through combination switch terminal 11
- through combination switch terminal 12
- through grounds M57 and M61.

With ground is supplied, front washer motor is operated.

When the BCM detects that front washer motor has operated for 0.4 seconds or longer, BCM operates front wiper motor for low speed.

When the BCM detects washer switch is OFF, low speed operation cycles approximately 2 times and stops.

MIST OPERATION

When the wiper switch is turned to the mist position, wiper low speed operation cycles once and then stops.

For additional information about wiper operation under this condition, refer to [WW-5, "LOW SPEED WIPER OPERATION"](#).

If switch is held in mist position, low speed operation continues.

FAIL-SAFE FUNCTION

If an abnormality occurs in CAN communications, IPDM E/R holds the condition just before fail-safe status is initiated until ignition switch is turned OFF. (If wipers were operating in LO just before the initiation of fail-safe status, they continue to operate in LO until ignition switch is turned OFF.)

COMBINATION SWITCH READING FUNCTION

Refer to [LT-68, "Combination Switch Reading Function"](#).

FRONT WIPER AND WASHER SYSTEM

CAN Communication System Description

EKS0011

Refer to [LAN-4, "SYSTEM DESCRIPTION"](#) .

A

B

C

D

E

F

G

H

I

J

WW

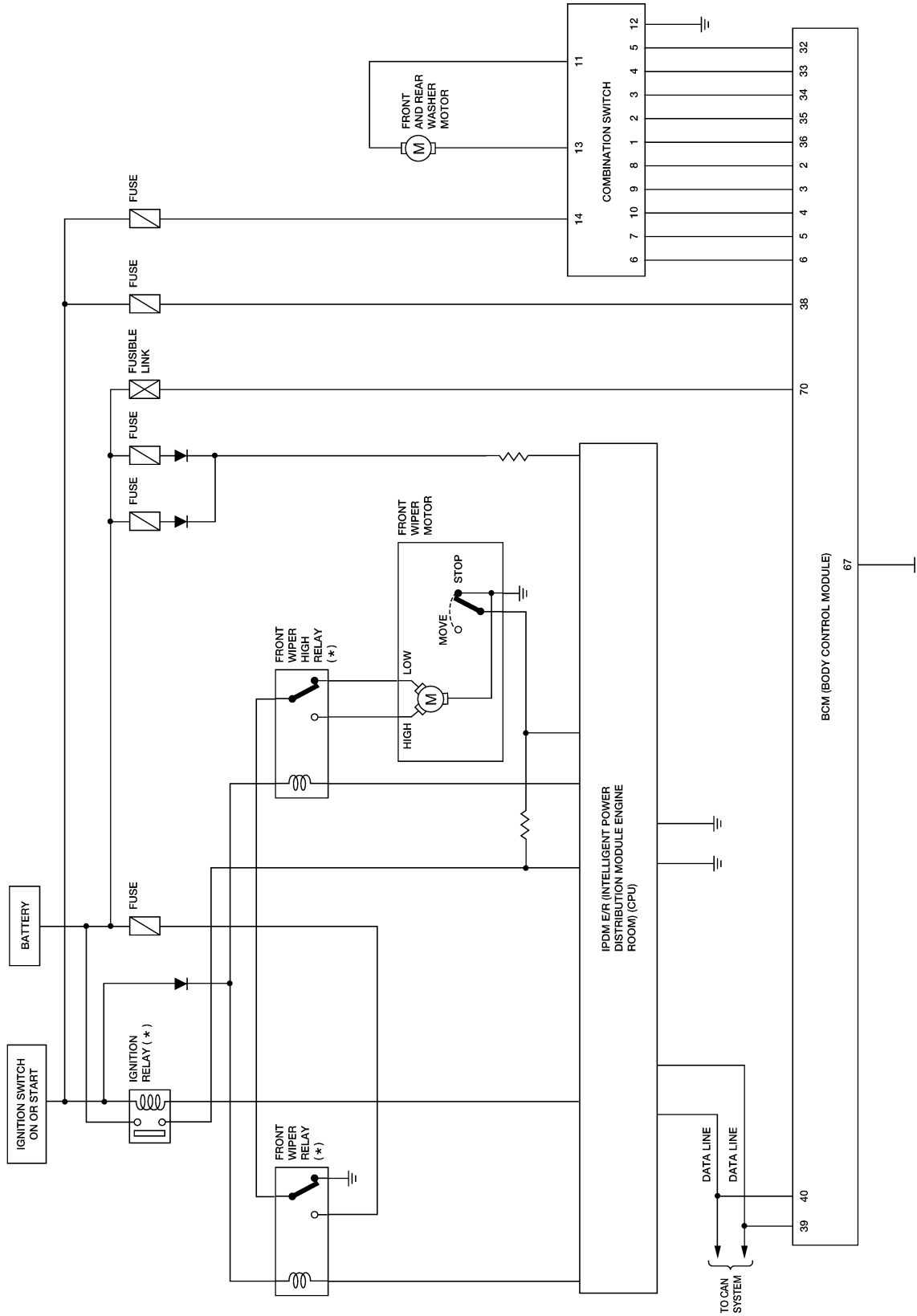
L

M

FRONT WIPER AND WASHER SYSTEM

Schematic

EKS0011K



*: THIS RELAY IS BUILT INTO THE IPDM E/R
(INTELLIGENT POWER DISTRIBUTION MODULE ENGINE ROOM)

WKWA4990E

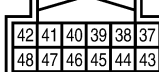
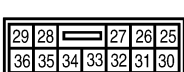
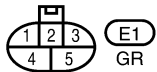
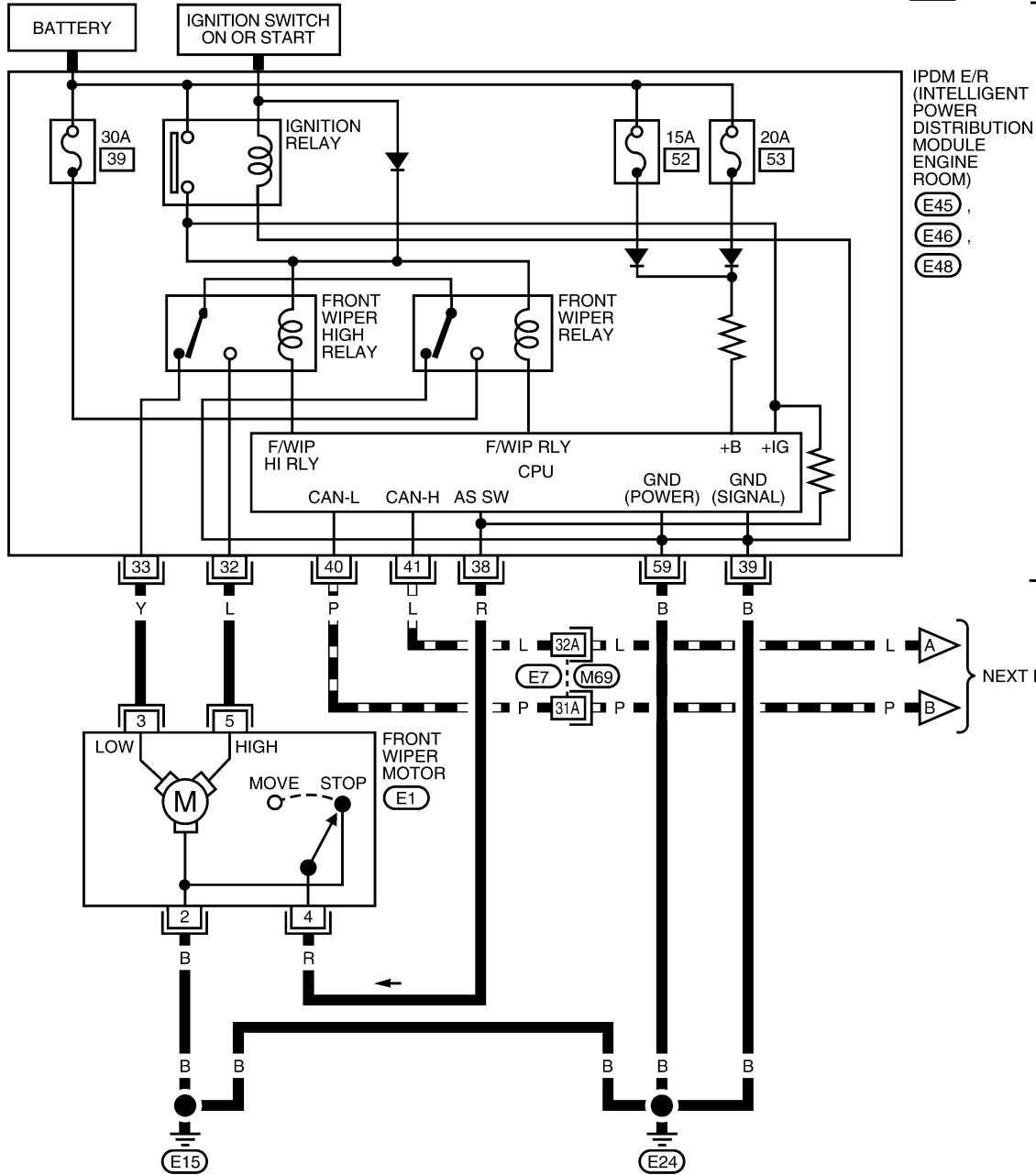
FRONT WIPER AND WASHER SYSTEM

Wiring Diagram — WIPER —

EKS0011L

WW-WIPER-01

— : DATA LINE

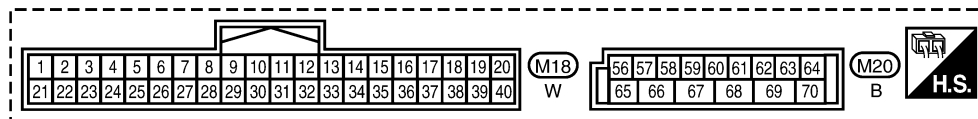
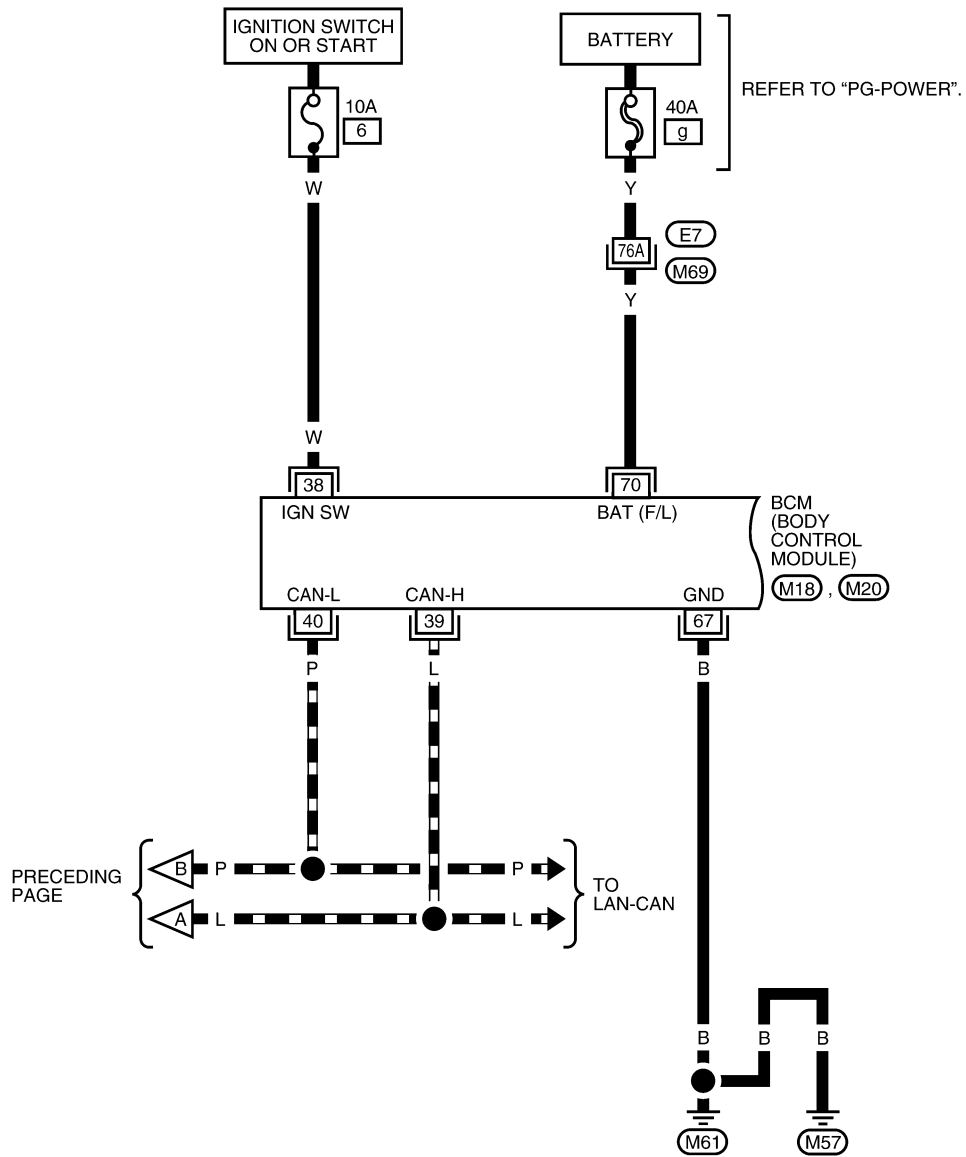


REFER TO THE FOLLOWING.
(M69) - SUPER MULTIPLE
JUNCTION (SMJ)

FRONT WIPER AND WASHER SYSTEM

WW-WIPER-02

▬ : DATA LINE



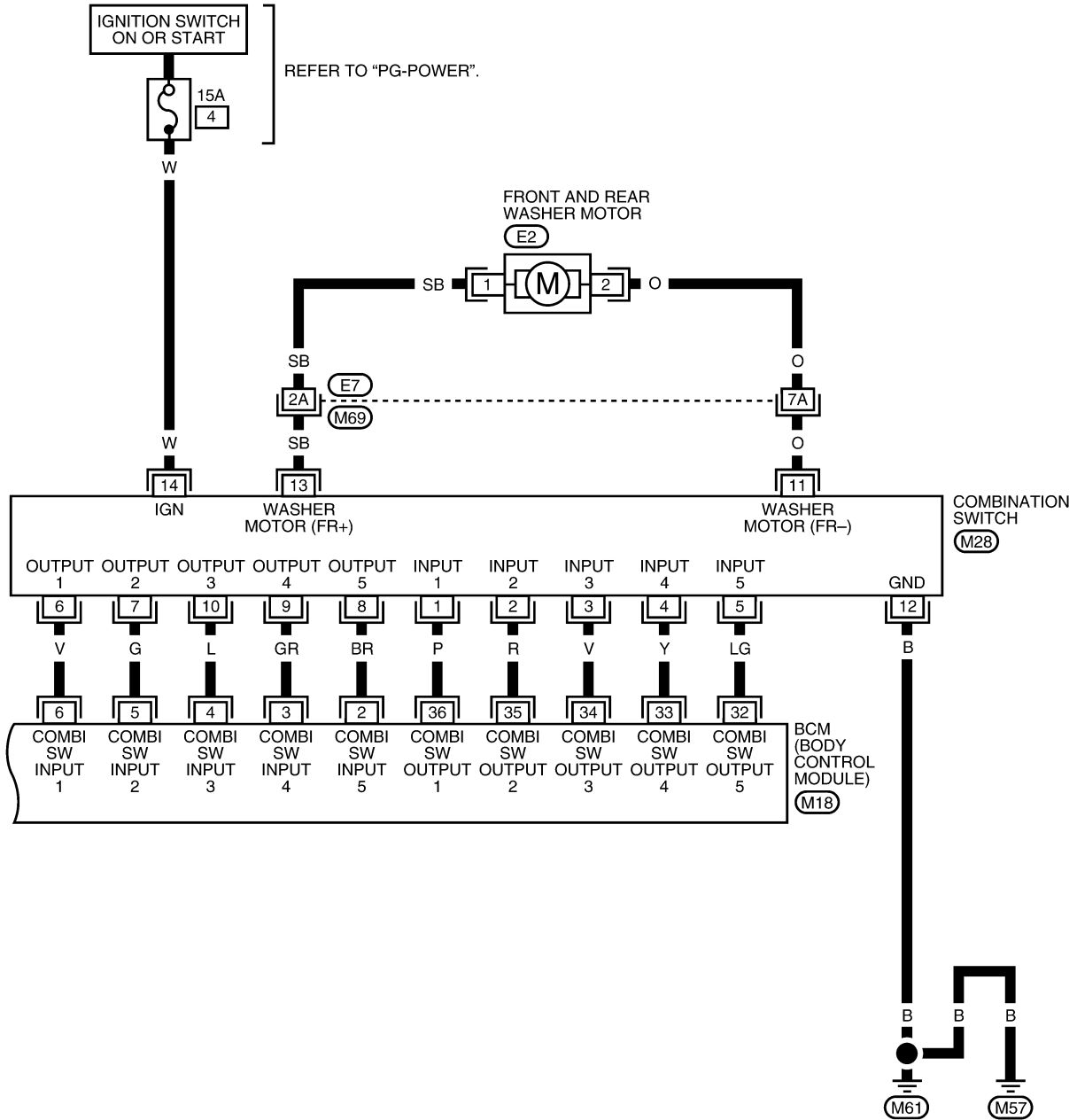
REFER TO THE FOLLOWING.

M69 - SUPER MULTIPLE JUNCTION (SMJ)

WKWA4992E

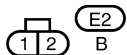
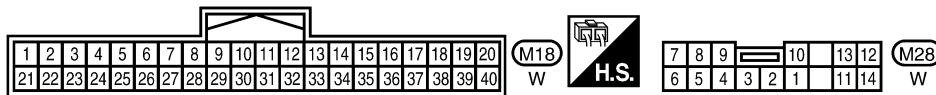
FRONT WIPER AND WASHER SYSTEM

WW-WIPER-03



A
B
C
D
E
F
G
H
I
J
L
M

WW



REFER TO THE FOLLOWING.
(M69) - SUPER MULTIPLE JUNCTION (SMJ)

WKWA4993E

FRONT WIPER AND WASHER SYSTEM

Terminals and Reference Values for BCM

EKS0011M

Refer to [BCS-12, "Terminals and Reference Values for BCM"](#) .

Terminals and Reference Values for IPDM E/R

EKS0011O

Refer to [PG-25, "Terminals and Reference Values for IPDM E/R"](#) .

How to Proceed With Trouble Diagnosis

EKS0011P

1. Confirm symptoms and customer complaint.
2. Understand operation description and function description. Refer to [WW-4, "System Description"](#) .
3. Perform preliminary check. Refer to [WW-12, "Preliminary Check"](#) .
4. Check symptom and repair or replace malfunctioning parts.
5. Does front wiper and washer operate normally? If YES, GO TO 6. If NO, GO TO 4.
6. INSPECTION END

Preliminary Check

EKS0011Q

CHECK POWER SUPPLY AND GROUND CIRCUIT FOR BCM

Refer to [BCS-16, "BCM Power Supply and Ground Circuit Check"](#)

CONSULT-II Functions (BCM)

EKS0011R

CONSULT-II can display each diagnostic item using the diagnostic test modes shown following.

BCM diagnosis position	Diagnosis mode	Description
WIPER	WORK SUPPORT	Changes the setting for each function.
	DATA MONITOR	Displays BCM input data in real time.
	ACTIVE TEST	Device operation can be checked by applying a drive signal to device.
BCM	SELF-DIAG RESULTS	BCM performs self-diagnosis of CAN communication.
	CAN DIAG SUPPORT MNTR	The result of transmit/receive diagnosis of CAN communication can be read.

CONSULT-II START PROCEDURE

Refer to [GI-38, "CONSULT-II Start Procedure"](#) .

WORK SUPPORT

Operation Procedure

1. Touch "WIPER" on "SELECT TEST ITEM" screen.
2. Touch "WORK SUPPORT" on "SELECT DIAG MODE" screen.
3. Touch "WIPER SPEED SETTING" on "SELECT WORK ITEM" screen.
4. Touch "START".
5. Touch "CHANGE SETT".
6. The setting will be changed and "CUSTOMIZING COMPLETED" will be displayed.
7. Touch "END".

Display Item List

Item	Description	CONSULT-II	Factory setting
WIPER SPEED SETTING	Vehicle speed sensing type wiper control mode can be changed in this mode.	ON	×
		OFF	—

DATA MONITOR

Operation Procedure

1. Touch "WIPER" on "SELECT TEST ITEM" screen.
2. Touch "DATA MONITOR" on "SELECT DIAG MODE" screen.
3. Touch either "ALL SIGNALS" or "SELECTION FROM MENU" on "SELECT MONITOR ITEM" screen.

ALL SIGNALS	Monitors all the signals.
SELECTION FROM MENU	Selects items and monitor them.

FRONT WIPER AND WASHER SYSTEM

4. When "SELECTION FROM MENU" is selected, touch items to be monitored. When "ALL SIGNALS" is selected, all the items will be monitored.
5. Touch "START".
6. Touch "RECORD" while monitoring, then the status of the monitored item can be recorded. To stop recording, touch "STOP".

Display Item List

Monitor item	Contents
IGN ON SW "ON/OFF"	Displays "ignition switch ON (ON)/Other OFF or ACC (OFF)" status as judged from ignition switch signal.
IGN SW CAN "ON/OFF"	Displays "ignition switch ON (ON)/Other OFF or ACC (OFF)" status as judged from CAN communication signal.
FR WIPER HI "ON/OFF"	Displays "FRONT WIPER HI (ON)/Other (OFF)" status as judged from wiper switch signal.
FR WIPER LOW "ON/OFF"	Displays "FRONT WIPER LOW (ON)/Other (OFF)" status as judged from wiper switch signal.
FR WIPER INT "ON/OFF"	Displays "FRONT WIPER INT (ON)/Other (OFF)" status as judged from wiper switch signal.
FR WASHER SW "ON/OFF"	Displays "FRONT WASHER Switch (ON)/Other (OFF)" status as judged from wiper switch signal.
INT VOLUME "1 - 7"	Displays intermittent operation dial position setting (1 - 7) as judged from wiper switch signal.
FR WIPER STOP "ON/OFF"	Displays "Stopped (ON)/Operating (OFF)" status as judged from auto-stop signal.
VEHICLE SPEED "km/h"	Displays vehicle speed status as judged from vehicle speed signal.
RR WIPER ON "OFF"	Displays "REAR WIPER (ON)/Other (OFF)" status as judged from wiper switch signal.
RR WIPER INT "OFF"	Displays "REAR WIPER INT (ON)/Other (OFF)" status as judged from wiper switch signal.
RR WASHER SW "OFF"	Displays "REAR WASHER SWITCH (ON)/Other (OFF)" status as judged from wiper switch signal.
RR WIPER STOP "OFF"	Displays "STOPPED (OFF)/Operating (ON)" status as judged from auto-stop switch 1.
RR WIPER STP2 "OFF"	Displays "STOPPED (OFF)/Operating (ON)" status as judged from auto-stop switch 2.
H/L WASH SW ^{NOTE} "OFF"	—

NOTE: This item is displayed, but cannot be monitored.

ACTIVE TEST

Operation Procedure

1. Touch "WIPER" on "SELECT TEST ITEM" screen.
2. Touch "ACTIVE TEST" on "SELECT DIAG MODE" screen.
3. Touch item to be tested and check operation of the selected item.
4. During the operation check, touching "BACK" deactivates the operation.

Display Item List

Test item	Display on CONSULT-II screen	Description
Front wiper LO output	FR WIPER (LO)	Front LO wiper can be operated by any ON-OFF operation.
Front wiper HI output	FR WIPER (HI)	Front HI wiper can be operated by any ON-OFF operation.
Front wiper INT output	FR WIPER (INT)	Front INT wiper can be operated by any ON-OFF operation.
Rear wiper output	RR WIPER	Rear wiper can be operated by any ON-OFF operation.

FRONT WIPER AND WASHER SYSTEM

EKS0011S

CONSULT-II Function (IPDM E/R)

CONSULT-II can display each diagnostic item using the diagnostic test modes shown following.

IPDM E/R diagnostic Mode	Description
SELF-DIAG RESULTS	Displays IPDM E/R self-diagnosis results.
DATA MONITOR	Displays IPDM E/R input/output data in real time.
CAN DIAG SUPPORT MNTR	The result of transmit/receive diagnosis of CAN communication can be read.
ACTIVE TEST	Operation of electrical loads can be checked by sending drive signal to them.

CONSULT-II START PROCEDURE

Refer to [GI-38, "CONSULT-II Start Procedure"](#).

DATA MONITOR

Operation Procedure

1. Touch "DATA MONITOR" on "SELECT DIAG MODE" screen.
2. Touch "ALL SIGNALS", "MAIN SIGNALS" or "SELECTION FROM MENU" on "SELECT MONITOR ITEM" screen.

ALL SIGNALS	Monitors all items.
MAIN SIGNALS	Monitor the predetermined item.
SELECTION FROM MENU	Selects items and monitors them.

3. Touch the required monitoring item on "SELECTION FROM MENU". In "ALL SIGNALS", all items are monitored. In "MAIN SIGNALS", predetermined items are monitored.
4. Touch "START".
5. Touch "RECORD" while monitoring to record the status of the item being monitored. To stop recording, touch "STOP".

All Signals, Main Signals, Selection From Menu

Item name	CONSULT-II screen display	Display or unit	Monitor item selection			Description
			ALL SIGNALS	MAIN SIGNALS	SELECTION FROM MENU	
FR wiper request	FR WIP REQ	STOP/1LOW/LOW/HI	×	×	×	Signal status input from BCM
Wiper auto stop	WIP AUTO STOP	ACT P/STOP P	×	×	×	Output status of IPDM E/R
Wiper protection	WIP PROT	OFF/BLOCK	×	×	×	Control status of IPDM E/R

NOTE:

Perform monitoring of IPDM E/R data with ignition switch ON. When ignition switch is at ACC, the display may not be correct.

ACTIVE TEST

Operation Procedure

1. Touch "ACTIVE TEST" on "SELECT DIAG MODE" screen.
2. Touch item to be tested, and check operation.
3. Touch "START".
4. Touch "STOP" while testing to stop the operation.

Test item	CONSULT-II screen display	Description
Front wiper (HI, LO) output	FRONT WIPER	With a certain operation (OFF, HI ON, LO ON), front wiper relay (Lo, Hi) can be operated.

FRONT WIPER AND WASHER SYSTEM

EKS0011T

Front Wiper Does Not Operate

CAUTION:

- During IPDM E/R fail-safe control, front wipers may not operate. Refer to [PG-17, "CAN COMMUNICATION LINE CONTROL"](#) in "PG IPDM E/R" to make sure that it is not in fail-safe status.

1. ACTIVE TEST

Ⓜ With CONSULT-II

- Select "IPDM E/R" on CONSULT-II, and select "ACTIVE TEST" on "SELECT DIAG MODE" screen.
- Select "FRONT WIPER" on "SELECT TEST ITEM" screen.
- Touch "LO" or "HI" screen.

ACTIVE TEST			
FRONT WIPER		OFF	
HI		LO	
MODE	BACK	LIGHT	COPY

SKIA3486E

ⓧ Without CONSULT-II

Start up auto active test. Refer to [PG-21, "Auto Active Test"](#).

Does front wiper operate normally?

YES >> GO TO 2.

NO >> GO TO 4.

2. CHECK CIRCUIT BETWEEN COMBINATION SWITCH AND BCM

Ⓜ With CONSULT-II

- Select "BCM" on CONSULT-II, and select "WIPER" on "SELECT TEST ITEM" screen.
- Select "DATA MONITOR" on "SELECT DIAG MODE" screen. Make sure that "FR WIPER INT", "FR WIPER LOW", and "FR WIPER HI" turn ON-OFF according to wiper switch operation.

DATA MONITOR	
MONITOR	
IGN ON SW	ON
IGN SW CAN	ON
FR WIPER HI	OFF
FR WIPER LOW	OFF
FR WIPER INT	OFF
FR WASH SW	OFF
INT VOLUME	7
FR WIPER STOP	ON
VEHICLE SPEED	0.0 km/h
Page Down	
RECORD	
MODE	BACK
LIGHT	COPE

PKIB0110E

ⓧ Without CONSULT-II

Refer to [LT-68, "Combination Switch Inspection"](#).

OK or NG

OK >> GO TO 3.

NG >> Check combination switch (wiper switch). Refer to [LT-68, "Combination Switch Inspection"](#).

3. CHECK CIRCUIT BETWEEN IPDM E/R AND BCM

Select "BCM" on CONSULT-II, and perform self-diagnosis for "BCM".

Displayed self-diagnosis results

NO DTC>>Replace BCM. Refer to [BCS-25, "Removal and Installation of BCM"](#).

CAN COMM CIRCUIT>>Check CAN communication line of BCM. Refer to [BCS-18, "CAN Communication Inspection Using CONSULT-II \(Self-Diagnosis\)"](#).

SELF-DIAG RESULTS			
DTC RESULTS		TIME	
CAN COMM CIRCUIT [U1000]			
ERASE		PRINT	
MODE	BACK	LIGHT	COPY

PKIA7627E

FRONT WIPER AND WASHER SYSTEM

4. CHECK GROUND CIRCUIT

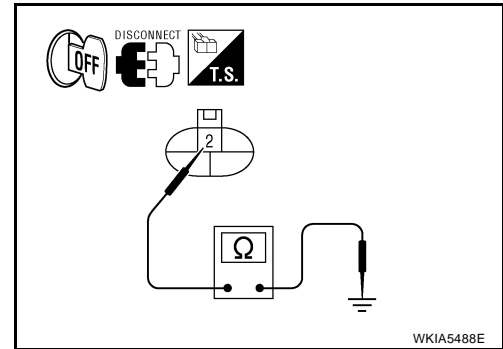
1. Turn ignition switch OFF.
2. Disconnect front wiper motor connector E1.
3. Check continuity between front wiper motor connector E1 terminal 2 and ground.

Front wiper motor connector	Terminal	Ground	Continuity
E1	2		Yes

OK or NG

OK >> GO TO 5.

NG >> Repair harness or connector.



WKIA5488E

5. CHECK FRONT WIPER CIRCUIT

1. Disconnect IPDM E/R connector E45.
2. Check continuity between IPDM E/R connector E45 (A) terminals 32 and 33, and front wiper motor connector E1 (B) terminals 3 and 5.

A		B		Continuity
Connector	Terminal	Connector	Terminal	
E45	32	E1	3	Yes
	33		5	

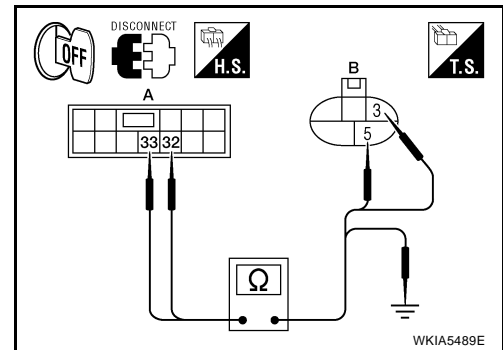
3. Check continuity between IPDM E/R connector E45 (A) terminals 32 and 33 and Ground.

A		Ground	Continuity
Connector	Terminal		
E45	32		No
	33		

OK or NG

OK >> GO TO 6.

NG >> Repair harness or connector.



WKIA5489E

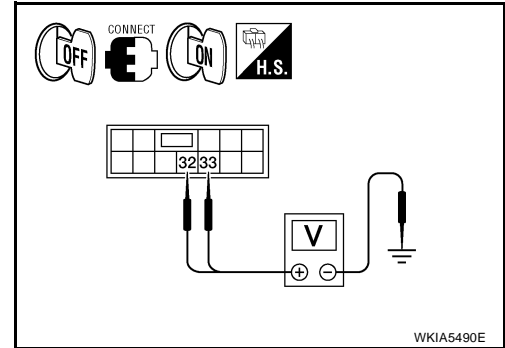
FRONT WIPER AND WASHER SYSTEM

6. CHECK IPDM E/R

Ⓜ With CONSULT-II

1. Connect IPDM E/R connector E45.
2. Turn ignition switch ON.
3. Select "IPDM E/R" by CONSULT-II, and select "ACTIVE TEST" on "SELECT DIAG MODE" screen.
4. Select "FRONT WIPER" on "SELECT TEST ITEM" screen.
5. Touch "LO" or "HI" screen.
6. Check voltage between IPDM E/R connector E45 terminals 32 and 33 and ground while front wiper (HI, LO) is operating.

Terminal (+)		Terminal (-)	Condition	Voltage (Approx.)
IPDM E/R connector	Terminal			
E45	32	Ground	Stopped	0V
			LO operation	Battery voltage
	33		Stopped	0V
			HI operation	Battery voltage



ⓧ Without CONSULT-II

1. Connect IPDM E/R connector E45.
2. Turn ignition switch ON.
3. Start auto active test. Refer to [PG-21, "Auto Active Test"](#).
4. Check voltage between IPDM E/R connector E45 terminals 32 and 33 and ground while front wiper (HI, LO) is operating.

Terminal (+)		Terminal (-)	Condition	Voltage (Approx.)
IPDM E/R connector	Terminal			
E45	32	Ground	Stopped	0V
			LO operation	Battery voltage
	33		Stopped	0V
			HI operation	Battery voltage

OK or NG

- OK >> Replace front wiper motor. Refer to [WW-25, "Removal and Installation of Front Wiper Drive Assembly"](#).
- NG >> Replace IPDM E/R. Refer to [PG-29, "Removal and Installation of IPDM E/R"](#).

Front Wiper Does Not Return to Stop Position (After Front Wiper Operate for 10 Seconds, They Stop for 20 Seconds, and After Repeating the Operations Five Times, They Become Inoperative)

EKS0011U

CAUTION:

- When auto-stop signal has not varied for 10 seconds or longer while IPDM E/R is operating front wipers, IPDM E/R considers that front wipers are locked, and stops wiper output. That causes this symptom.
- This status can be checked by "DATA MONITOR" of "IPDM E/R" on which "WIPER PROT" item shows "BLOCK".

FRONT WIPER AND WASHER SYSTEM

1. CHECK FRONT WIPER STOP SIGNAL

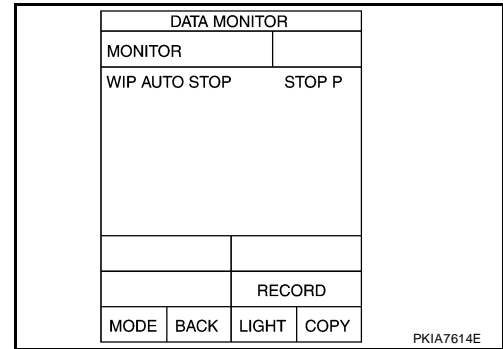
☑ With CONSULT-II
 Select "IPDM E/R" on CONSULT-II. With "DATA MONITOR", make sure that "WIP AUTO STOP" turns "ACT P" - "STOP P" linked with wiper operation.

☒ Without CONSULT-II
 GO TO 2.

OK or NG

OK >> Replace IPDM E/R. Refer to [PG-29, "Removal and Installation of IPDM E/R"](#).

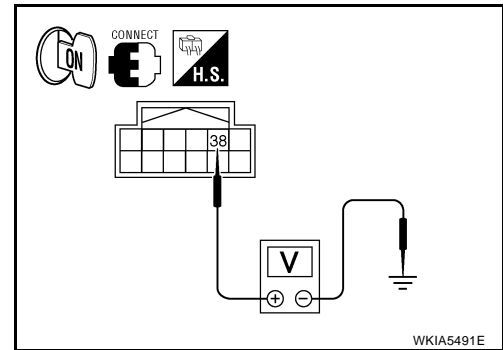
NG >> GO TO 2.



2. CHECK IPDM E/R

1. Turn ignition switch ON.
2. Check voltage between IPDM E/R connector E46 terminal 38 and ground while front wiper motor is stopped and while it is operating.

Terminal		(-)	Condition	Voltage (Approx.)
(+)				
IPDM E/R connector	Terminal			
E46	38	Ground	Wiper stopped	0V
			Wiper operating	Battery voltage



OK or NG

OK >> Replace IPDM E/R. Refer to [PG-29, "Removal and Installation of IPDM E/R"](#).

NG >> GO TO 3.

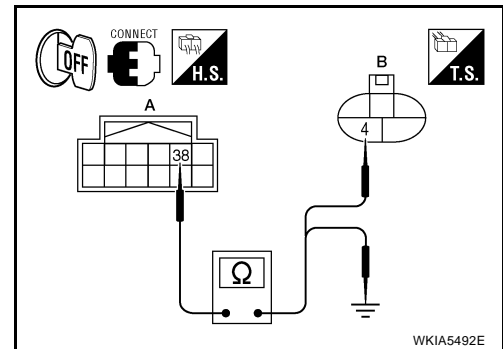
3. CHECK FRONT WIPER AUTO STOP CIRCUIT

1. Turn ignition switch OFF.
2. Disconnect IPDM E/R connector E46 and wiper motor connector E1.
3. Check continuity between IPDM E/R connector (A) E46 terminal 38 and front wiper motor connector (B) E1 terminal 4.

A		B		Continuity
Connector	Terminal	Connector	Terminal	
E46	38	E1	4	Yes

4. Check continuity between IPDM E/R harness connector (A) and Ground.

A		Ground	Continuity
Connector	Terminal		
E46	38		No



OK or NG

OK >> Replace front wiper motor. Refer to [WW-25, "Removal and Installation of Front Wiper Drive Assembly"](#).

NG >> Repair harness or connector.

FRONT WIPER AND WASHER SYSTEM

EKS0011V

Only Front Wiper Low Does Not Operate

1. ACTIVE TEST

 With CONSULT-II

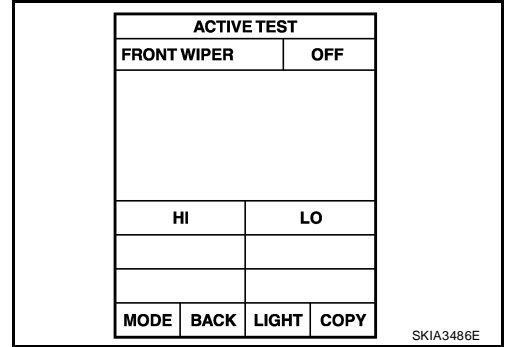
1. Select "IPDM E/R" on CONSULT-II, and select "ACTIVE TEST" on "SELECT DIAG MODE" screen.
2. Select "FRONT WIPER" on "SELECT TEST ITEM" screen.
3. Touch "LO" screen.

 Without CONSULT-II

Start auto active test. Refer to [PG-21, "Auto Active Test"](#).

Does front wiper operate normally?

- YES >> Refer to [LT-68, "Combination Switch Inspection"](#).
 NO >> GO TO 2.



2. CHECK FRONT WIPER MOTOR CIRCUIT

1. Turn ignition switch OFF.
2. Disconnect IPDM E/R connector E45 and front wiper motor connector E1.
3. Check continuity between IPDM E/R connector (A) E45 terminal 33 and front wiper motor connector (B) E1 terminal 3.

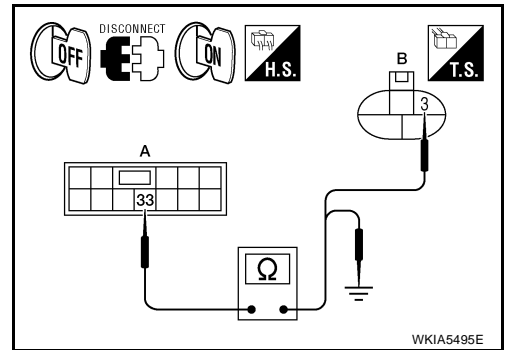
A		B		Continuity
Connector	Terminal	Connector	Terminal	
E45	33	E1	3	Yes

4. Check continuity between IPDM E/R harness connector E45 (A) terminal 33 and ground.

A		Ground	Continuity
Connector	Terminal		
E45	33		No

OK or NG

- OK >> GO TO 3.
 NG >> Repair harness or connector.



A
B
C
D
E
F
G
H
I
J
L
M

WW

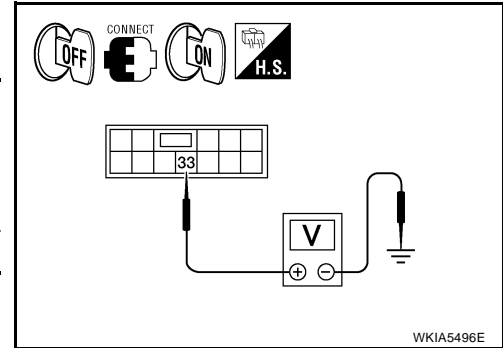
FRONT WIPER AND WASHER SYSTEM

3. CHECK IPDM E/R

Ⓟ With CONSULT-II

1. Connect IPDM E/R connector E45.
2. Turn ignition ON.
3. Select "IPDM E/R" on CONSULT-II, and select "ACTIVE TEST" on "SELECT DIAG MODE" screen.
4. Select "FRONT WIPER" on "SELECT TEST ITEM" screen.
5. Touch "LO" screen.
6. Check voltage between IPDM E/R connector E45 terminal 33 and ground while front wiper LO is operating.

Terminal		(-)	Continuity
(+)			
IPDM E/R connector	Terminal		
E45	33	Ground	Battery voltage



ⓧ Without CONSULT-II

1. Connect IPDM E/R connector E45.
2. Turn ignition ON.
3. Start auto active test. Refer to [PG-21, "Auto Active Test"](#).
4. Check voltage between IPDM E/R connector E45 terminal 33 and ground while front wiper LO is operating.

Terminal		(-)	Continuity
(+)			
IPDM E/R connector	Terminal		
E45	33	Ground	Battery voltage

OK or NG

- OK >> Replace front wiper motor. Refer to [WW-25, "Removal and Installation of Front Wiper Drive Assembly"](#).
- NG >> Replace IPDM E/R. Refer to [PG-29, "Removal and Installation of IPDM E/R"](#).

Only Front Wiper Hi Does Not Operate

EKS0011W

1. ACTIVE TEST

Ⓟ With CONSULT-II

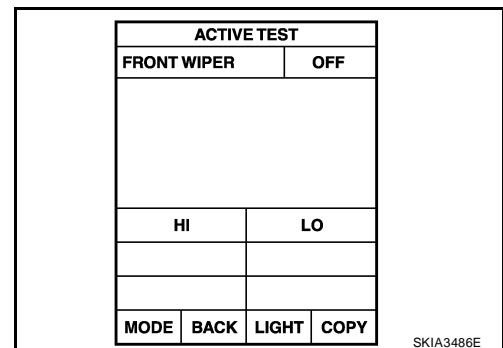
1. Select "IPDM E/R" on CONSULT-II, and select "ACTIVE TEST" on "SELECT DIAG MODE" screen.
2. Select "FRONT WIPER" on "SELECT TEST ITEM" screen.
3. Touch "HI" screen.

ⓧ Without CONSULT-II

Start auto active test. Refer to [PG-21, "Auto Active Test"](#).

Does front wiper operate normally?

- YES >> Refer to [LT-68, "Combination Switch Inspection"](#).
- NO >> GO TO 2.



FRONT WIPER AND WASHER SYSTEM

2. CHECK FRONT WIPER MOTOR CIRCUIT

1. Turn ignition switch OFF.
2. Disconnect IPDM E/R connector E45 and front wiper motor connector E1.
3. Check continuity between IPDM E/R connector (A) E45 terminal 32 and front wiper motor connector (B) E1 terminal 1.

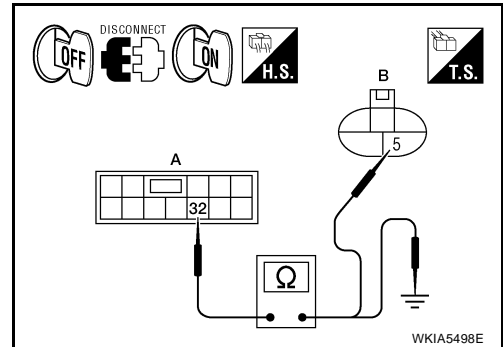
A		B		Continuity
Connector	Terminal	Connector	Terminal	
E45	32	E1	5	Yes

4. Check continuity between IPDM E/R harness connector (A) E45 terminal 32 and ground.

A		Ground	Continuity
Connector	Terminal		
E45	32		No

OK or NG

- OK >> GO TO 3.
- NG >> Repair harness or connector.

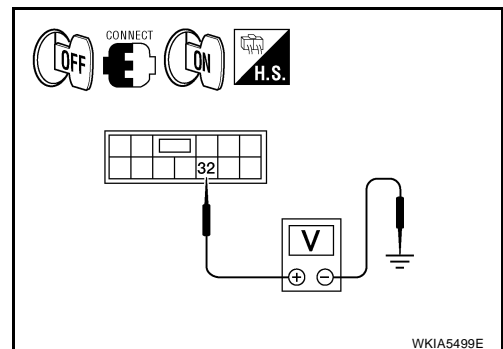


3. CHECK IPDM E/R

Ⓜ With CONSULT-II

1. Connect IPDM E/R connector E45.
2. Turn ignition switch ON.
3. Select "IPDM E/R" on CONSULT-II, and select "ACTIVE TEST" on "SELECT DIAG MODE" screen.
4. Select "FRONT WIPER" on "SELECT TEST ITEM" screen.
5. Touch "HI" screen.
6. Check voltage between IPDM E/R connector E45 terminal 32 and ground while front wiper HI is operating.

Terminal (+)		Terminal (-)	Voltage (Approx.)
IPDM E/R connector	Terminal		
E45	32	Ground	Battery voltage



ⓧ Without CONSULT-II

1. Connect IPDM E/R connector E45.
2. Turn ignition switch ON.
3. Start auto active test. Refer to [PG-21, "Auto Active Test"](#).
4. Check voltage between IPDM E/R connector E45 terminal 32 and ground while front wiper HI is operating.

Terminal (+)		Terminal (-)	Voltage (Approx.)
IPDM E/R connector	Terminal		
E45	32	Ground	Battery voltage

OK or NG

- OK >> Replace front wiper motor. Refer to [WW-25, "Removal and Installation of Front Wiper Drive Assembly"](#).
- NG >> Replace IPDM E/R. Refer to [PG-29, "Removal and Installation of IPDM E/R"](#).

FRONT WIPER AND WASHER SYSTEM

EKS0011X

Only Front Wiper Intermittent Does Not Operate

1. CHECK COMBINATION SWITCH

④ With CONSULT-II

1. Select "BCM" on CONSULT-II, and select "WIPER" on "SELECT TEST ITEM" screen.
2. Select "DATA MONITOR" on "SELECT DIAG MODE" screen. Make sure that "FR WIPER INT", turn ON-OFF according to wiper switch operation.

⊗ Without CONSULT-II

Refer to [LT-68, "Combination Switch Inspection"](#).

OK or NG

- OK >> Replace BCM. Refer to [BCS-25, "Removal and Installation of BCM"](#).
- NG >> Check combination switch (wiper switch). Refer to [LT-68, "Combination Switch Inspection"](#).

DATA MONITOR			
MONITOR			
IGN ON SW	ON		
IGN SW CAN	ON		
FR WIPER HI	OFF		
FR WIPER LOW	OFF		
FR WIPER INT	OFF		
FR WASHER SW	OFF		
INT VOLUME	7		
FR WIPER STOP	ON		
VEHICLE SPEED	0.0 km/h		
		Page Down	
		RECORD	
MODE	BACK	LIGHT	COPE

PKIB0110E

Front Wiper Intermittent Operation Switch Position Cannot Be Adjusted

EKS0011Z

1. CHECK CIRCUIT BETWEEN COMBINATION SWITCH AND BCM

④ With CONSULT-II

1. Select "BCM" on CONSULT-II, and select "WIPER" on "SELECT TEST ITEM" screen.
2. Select "DATA MONITOR" on "SELECT DIAG MODE" screen. Make sure that "INT VOLUME", changes in order from 1 to 7 according to wiper switch operation.

⊗ Without CONSULT-II

Refer to [LT-68, "Combination Switch Inspection"](#).

OK or NG

- OK >> Replace BCM. Refer to [BCS-25, "Removal and Installation of BCM"](#).
- NG >> Check combination switch (wiper switch). Refer to [LT-68, "Combination Switch Inspection"](#).

DATA MONITOR			
MONITOR			
IGN ON SW	ON		
IGN SW CAN	ON		
FR WIPER HI	OFF		
FR WIPER LOW	OFF		
FR WIPER INT	OFF		
FR WASHER SW	OFF		
INT VOLUME	7		
FR WIPER STOP	ON		
VEHICLE SPEED	0.0 km/h		
		Page Down	
		RECORD	
MODE	BACK	LIGHT	COPE

PKIB0110E

Wiper Does Not Wipe When Front Washer Operates

EKS00120

1. CHECK CIRCUIT BETWEEN COMBINATION SWITCH AND BCM

④ With CONSULT-II

1. Select "BCM" on CONSULT-II, and select "WIPER" on "SELECT TEST ITEM" screen.
2. Select "DATA MONITOR" on "SELECT DIAG MODE" screen. Make sure that "FR WASHER SW" turn ON-OFF according to front wiper switch operation.

⊗ Without CONSULT-II

Refer to [LT-68, "Combination Switch Inspection"](#).

OK or NG

- OK >> Replace BCM. Refer to [BCS-25, "Removal and Installation of BCM"](#).
- NG >> Check combination switch (wiper switch). Refer to [LT-68, "Combination Switch Inspection"](#).

DATA MONITOR			
MONITOR			
IGN ON SW	ON		
IGN SW CAN	ON		
FR WIPER HI	OFF		
FR WIPER LOW	OFF		
FR WIPER INT	OFF		
FR WASHER SW	OFF		
INT VOLUME	7		
FR WIPER STOP	ON		
VEHICLE SPEED	0.0 km/h		
		Page Down	
		RECORD	
MODE	BACK	LIGHT	COPE

PKIB0110E

FRONT WIPER AND WASHER SYSTEM

EKS0021

Front Wiper Does Not Stop

1. CHECK CIRCUIT BETWEEN COMBINATION SWITCH AND BCM

① With CONSULT-II

1. Select "BCM" on CONSULT-II, and select "WIPER" on "SELECT TEST ITEM" screen.
2. Select "DATA MONITOR" on "SELECT DIAG MODE" screen. Make sure that "FR WIPER INT", "FR WIPER LOW", "FR WIPER HI", and "FR WASHER SW" turn ON-OFF according to front wiper switch operation.

② Without CONSULT-II

Refer to [LT-68, "Combination Switch Inspection"](#).

OK or NG

OK >> Replace IPDM E/R. Refer to [PG-28, "IPDM E/R Power/Ground Circuit Inspection"](#).

NG >> Check combination switch (wiper switch). Refer to [LT-68, "Combination Switch Inspection"](#).

DATA MONITOR			
MONITOR			
IGN ON SW		ON	
IGN SW CAN		ON	
FR WIPER HI		OFF	
FR WIPER LOW		OFF	
FR WIPER INT		OFF	
FR WASHER SW		OFF	
INT VOLUME		7	
FR WIPER STOP		ON	
VEHICLE SPEED		0.0 km/h	
			Page Down
RECORD			
MODE	BACK	LIGHT	COPE

PKIB0110E

A
B
C
D
E
F
G
H
I
J
L
M

WW

FRONT WIPER AND WASHER SYSTEM

EKS00I22

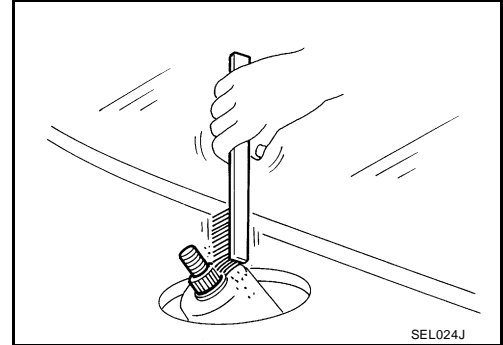
Removal and Installation of Front Wiper Arms

REMOVAL

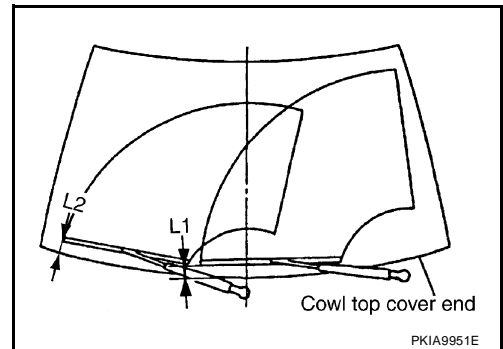
1. Turn wiper switch on to operate wiper motor, and then turn wiper switch off (auto stop).
2. Open hood, remove wiper arm caps, and remove wiper arm nuts.
3. Raise wiper arm, and remove wiper arm from the vehicle.

INSTALLATION

1. Clean up the pivot area as shown. This will reduce possibility of wiper arm looseness.
2. Prior to wiper arm installation, turn on wiper switch to operate wiper motor and then turn it off (auto stop).
3. Push wiper arm onto pivot shaft, paying attention to blind spline.



4. Lift the blade up and then set it down onto glass surface to set the blade center to clearance "L1" and "L2" immediately before temporarily tightening the wiper arm nuts.
5. Spray washer fluid. Turn on wiper switch to operate wiper motor and then turn it off.
6. Make sure that wiper blades stop within clearance "L1" and "L2" and reposition as necessary.



Clearance "L1" : 38.7 ± 7.5 mm (1.524 ± 0.295 in)

Clearance "L2" : 38.4 ± 7.5 mm (1.512 ± 0.295 in)

7. Tighten wiper arm nuts to specification.
8. Attach wiper arm caps.

Adjustment of Wiper Arm Stop Location

EKS00IJR

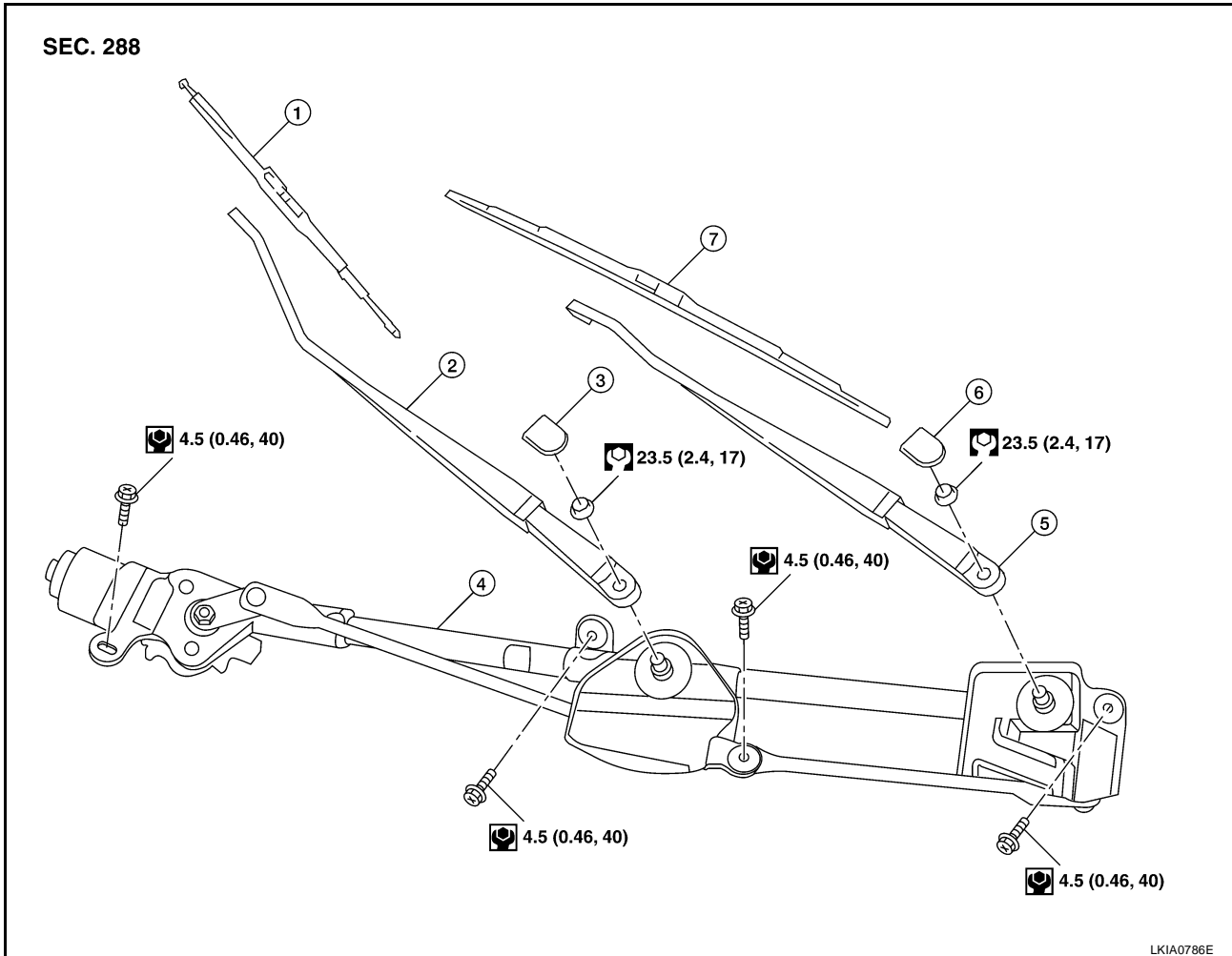
ADJUSTMENT

To adjust the wiper arm stop location, the wiper arm must be removed and installed. Refer to [WW-24, "Adjustment of Wiper Arm Stop Location"](#).

FRONT WIPER AND WASHER SYSTEM

Removal and Installation of Front Wiper Drive Assembly

EKS0023



- | | | |
|-------------------------------|-----------------------|------------------|
| 1. Front RH wiper blade | 2. Front RH wiper arm | 3. Wiper arm cap |
| 4. Front wiper drive assembly | 5. Front LH wiper arm | 6. Wiper arm cap |
| 7. Front LH wiper blade | | |

REMOVAL

1. Operate the front wiper motor, and stop at the auto stop position.
2. Remove wiper arms. Refer to [WW-24, "REMOVAL"](#).
3. Remove cowl top cover. Refer to [EI-20, "COWL TOP"](#).
4. Disconnect wiper motor connector.
5. Remove front wiper drive assembly bolts, and remove front wiper drive assembly.

INSTALLATION

1. Install front wiper drive assembly.
2. Connect wiper motor connector. Turn wiper switch on to operate wiper motor, then turn wiper switch off (auto stop).
3. Install cowl top cover. Refer to [EI-20, "COWL TOP"](#).
4. Install the wiper arms. Refer to [WW-24, "INSTALLATION"](#).

Removal and Installation of Front Washer Nozzle

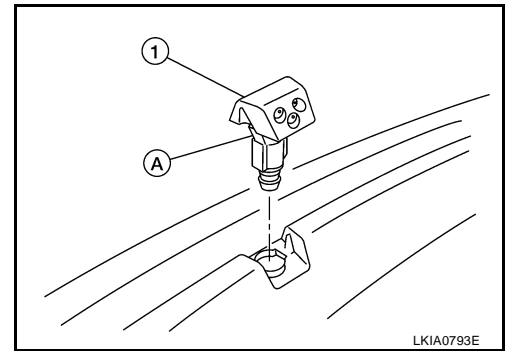
EKS0027

REMOVAL

1. Remove cowl top cover. Refer to [EI-20, "Removal and Installation"](#).
2. Remove washer tube.

FRONT WIPER AND WASHER SYSTEM

3. While pressing pawl (A) on the reverse side of front washer nozzle (1), remove front washer nozzle (1) from cowl top cover.



INSTALLATION

1. Install washer tube in nozzle.
2. Install nozzle to the vehicle.
3. Adjust nozzle spray location. Refer to [WW-27, "Washer Nozzle Adjustment"](#).

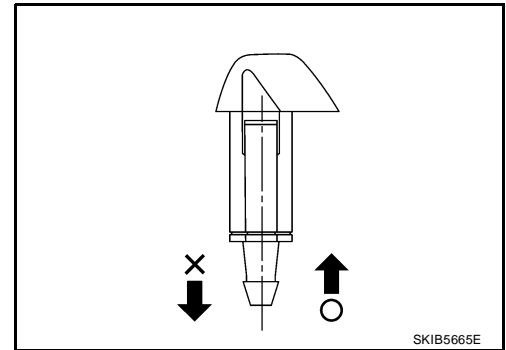
CAUTION:

The spray points differ, so be sure to install left and right nozzles correctly.

Inspection for Washer Nozzle CHECK VALVE INSPECTION

EKS00128

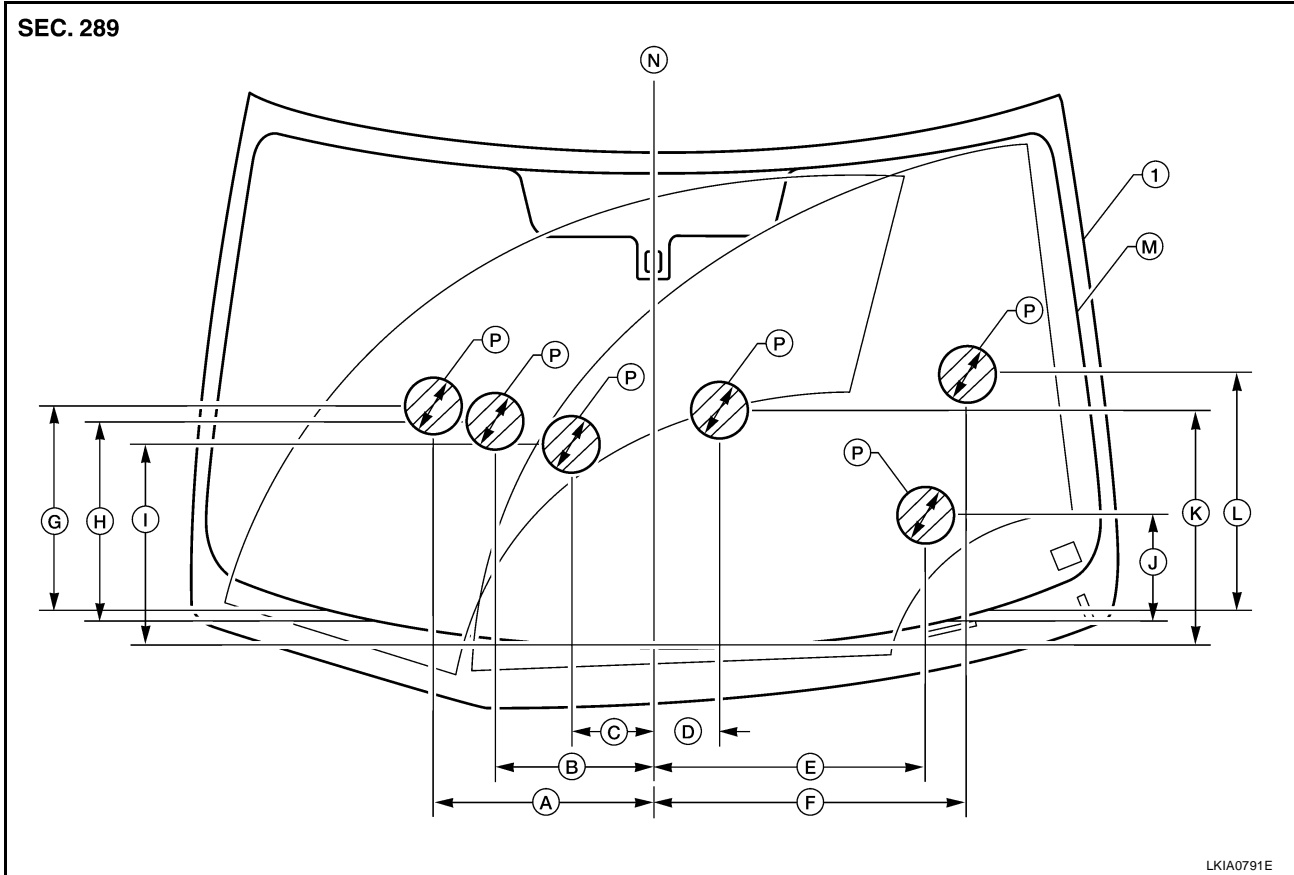
Blow air in the injection direction, and make sure that air flows only one way. Make sure that the reverse direction is not possible.



FRONT WIPER AND WASHER SYSTEM

Washer Nozzle Adjustment

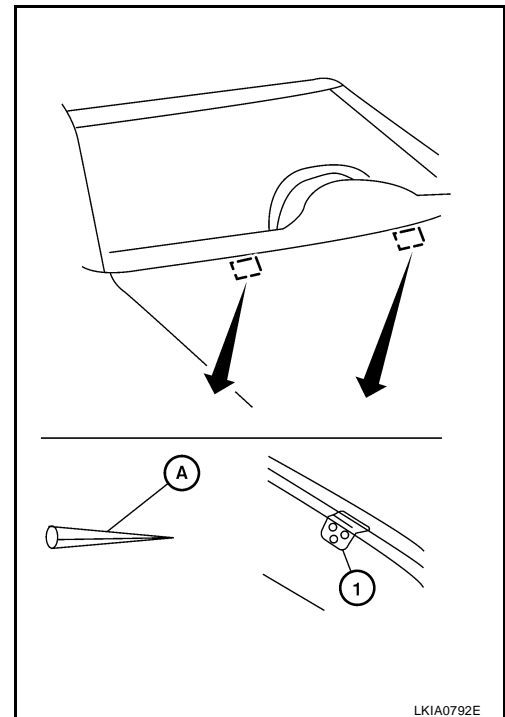
EKS0025



LKIA0791E

- | | | |
|-----------------------|----------------------|-------------------------|
| 1. Windshield | A. 315 mm (12.40 in) | B. 226 mm (8.90 in) |
| C. 116 mm (4.57 in) | D. 95 mm (3.74 in) | E. 390 mm (15.35 in) |
| F. 448 mm (17.64 in) | G. 323 mm (12.72 in) | H. 313 mm (12.32 in) |
| I. 290 mm (11.42 in) | J. 152 mm (5.98 in) | K. 338 mm (13.31 in) |
| L. 342 mm (13.46 in) | M. Black mask | N. Center of windshield |
| P. Spray pattern area | | |

Adjust spray positions to match the positions as shown.
 Insert a suitable tool (A) into the nozzle hole (1) and move up/down and left/right to adjust to the specified spray position.



LKIA0792E

A
B
C
D
E
F
G
H
I
J
WW

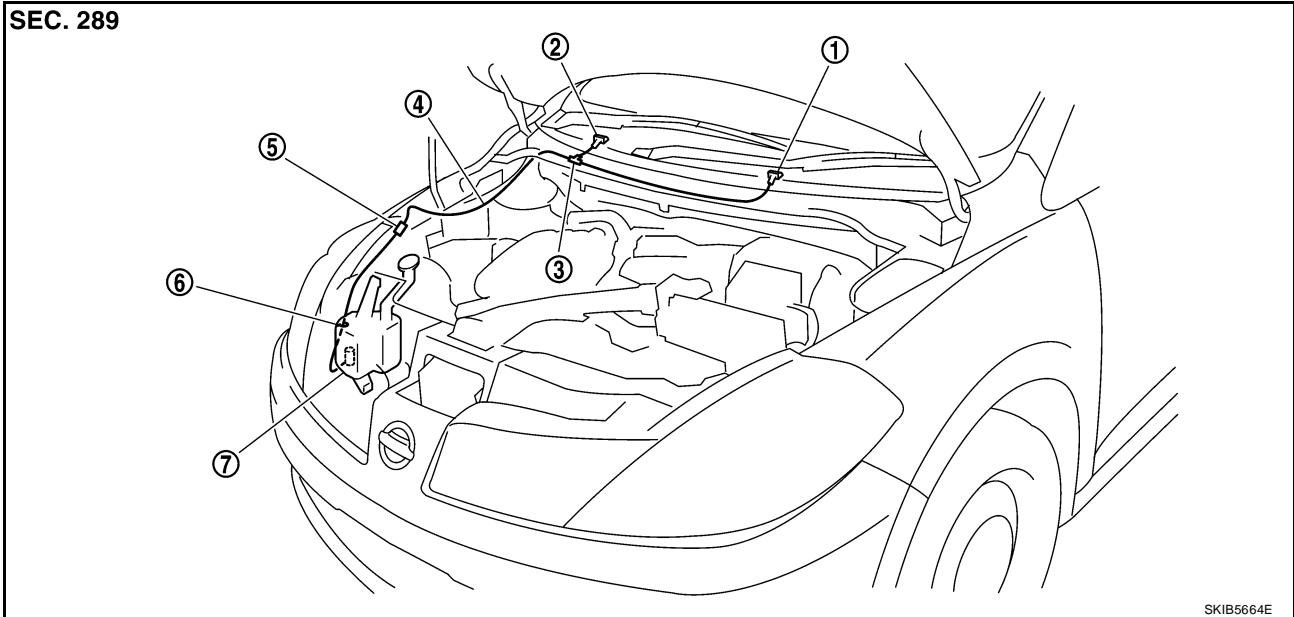
L
M

FRONT WIPER AND WASHER SYSTEM

Washer Tube Layout

EKS00126

SEC. 289



SKIB5664E

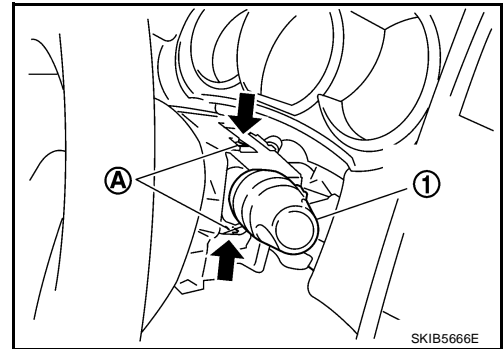
- | | | |
|---------------------|---------------------|----------------------|
| 1. Washer nozzle LH | 2. Washer nozzle RH | 3. Joint washer tube |
| 4. Washer tube | 5. Clip | 6. Clamp |
| 7. Washer tank | | |

Removal and Installation of Front Wiper and Washer Switch

EKS0012A

REMOVAL

1. Remove the steering column cover. Refer to [IP-10, "INSTRUMENT PANEL ASSEMBLY"](#).
2. Disconnect the wiper and washer switch connector.
3. Pull wiper and washer switch (1) toward the passenger door while pressing pawls (A) in direction shown by the arrow, and remove it from the base.



SKIB5666E

INSTALLATION

Installation is in the reverse order of removal.

Inspection of Front Wiper and Washer Switch Circuit

EKS00129

Refer to [LT-68, "Combination Switch Inspection"](#).

Removal and Installation of Washer Tank

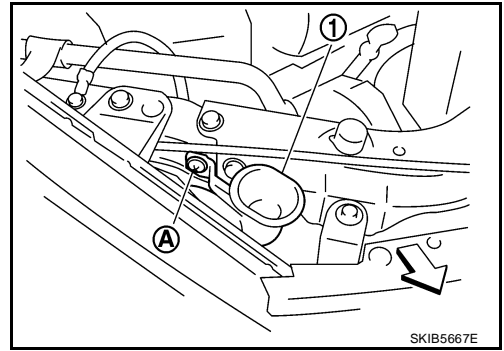
EKS0012B

REMOVAL

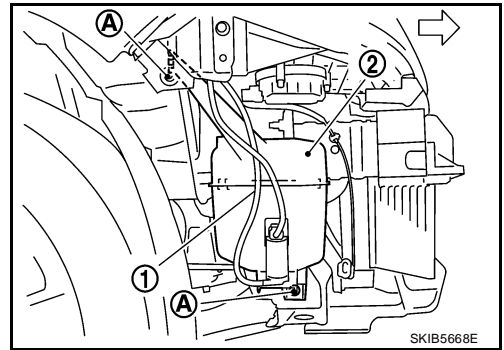
1. Remove the front grille. Refer to [EI-19, "Removal and Installation"](#).

FRONT WIPER AND WASHER SYSTEM

- Remove clip (A) and pull washer tank inlet (1) out of washer tank.
 - ⇐: Vehicle front



- Remove the front bumper. Refer to [EI-14, "Removal and Installation"](#).
- Disconnect the washer motor connector and washer fluid level sensor connector.
- Remove the washer tank screw (A).
 - ⇐: Vehicle front
- Remove the washer tube (1), and remove washer tank (2) from the vehicle.
 - ⇐: Vehicle front



INSTALLATION

Installation is in the reverse order of removal.

- Washer tank nuts** : 4.5 N·m (0.46 kg-m, 40 in-lb)
- Washer tank screw** : 4.5 N·m (0.46 kg-m, 40 in-lb)

CAUTION:

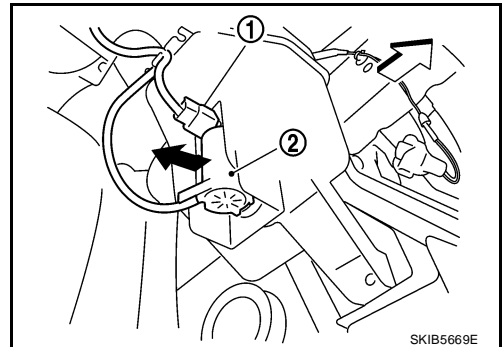
After installation, add water up to the upper level of washer tank inlet, and check for water leaks.

Removal and Installation of Front Washer Motor

EKS0012C

WW

- Remove the front fender protector RH. Refer to [EI-22, "FENDER PROTECTOR"](#).
- Disconnect washer motor connector (1) and remove washer tube.
 - ⇐: Vehicle front
- Pull out front washer motor (2) in the direction shown. Remove the front washer motor (2) from washer tank.
 - ⇐: Vehicle front



INSTALLATION

Installation is in the reverse order of removal.

CAUTION:

When installing washer motor, there should be no packing twists, etc.

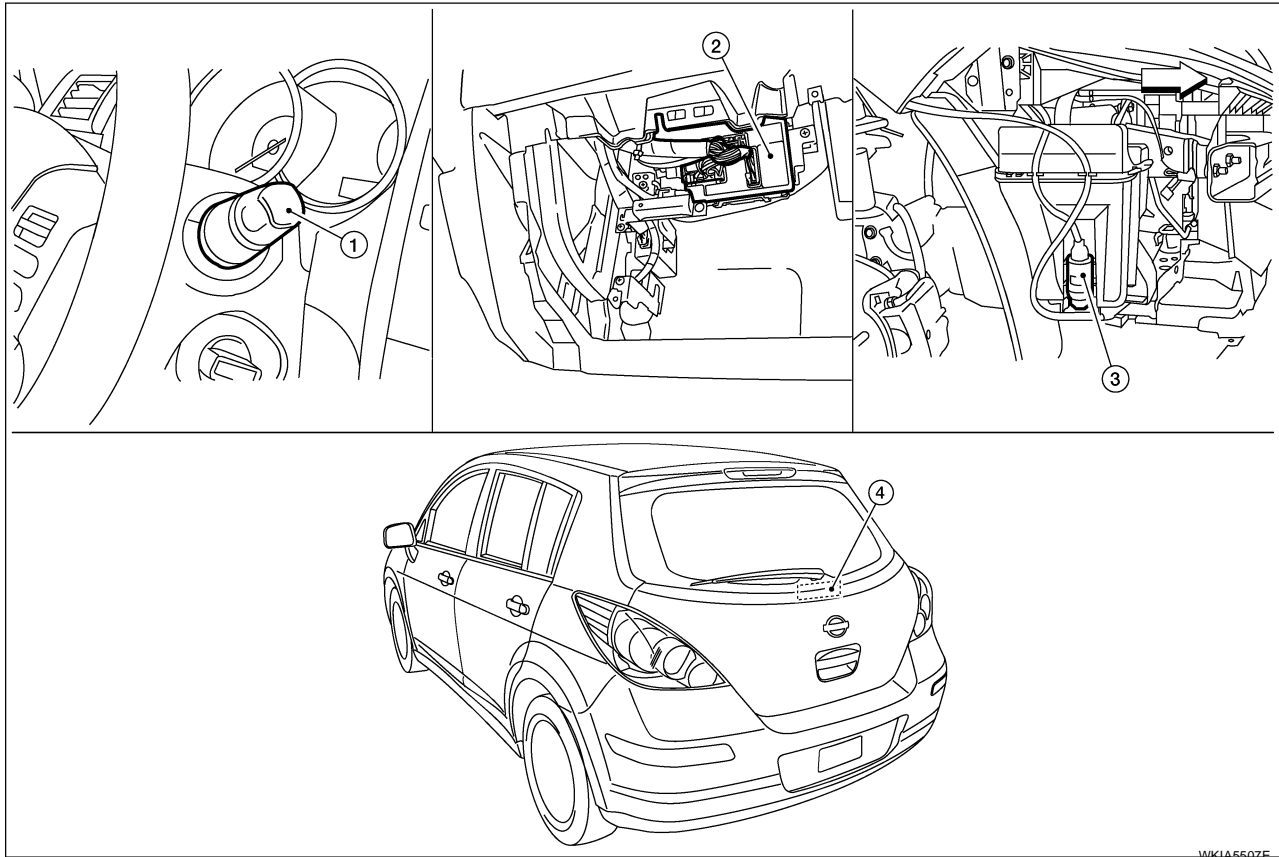
REAR WIPER AND WASHER SYSTEM

REAR WIPER AND WASHER SYSTEM

PFP:28710

Components Parts and Harness Connector Location

EKS001LH



WKIA5507E

1. Combination switch (wiper switch) M28
2. BCM M18 and M20 (view with glove box removed)
3. Front and rear washer motor E2 (View with front fender protector LH removed)
4. Rear wiper motor D404

System Description

EKS001LH

- The wiper switch (combination switch) is composed of a combination of 5 output terminals and 5 input terminals. Terminal combination status is read by the BCM (body control module) when switch is turned ON.
- The BCM controls rear wiper ON and INT (intermittent) operation.

Power is supplied at all times

- through 40A fusible link (letter **g**, located in fuse and fusible link box)
- to BCM terminal 70.

With the ignition switch in ON or START position, power is supplied

- through 15A fuse [No. 4, located in the fuse block (J/B)]
- to combination switch terminal 2, and
- through 10A fuse [No. 6, located in the fuse block (J/B)]
- to BCM terminal 38.

Ground is supplied

- to BCM terminal 67 and
- to combination switch terminal 12
- through grounds M57 and M61.

REAR WIPER AND WASHER SYSTEM

REAR WIPER OPERATION

When the ignition switch is in the ON or START position, and the rear wiper switch is in the ON position, the BCM detects a rear wiper ON request through the combination switch (wiper switch) reading function and controls the rear wiper motor as follows.

Power is supplied

- through BCM terminal 55
- to rear wiper motor terminal 1.

Ground is supplied

- to rear wiper motor terminal 3
- through grounds B117, B132 and D402.

With power and ground supplied, the rear wiper motor operates.

INTERMITTENT OPERATION

The rear wiper motor operates the wiper arm at low speed approximately every 7 seconds.

When the wiper switch is in the rear wiper INT position, the BCM detects a rear wiper INT request through the combination switch (wiper switch) reading function.

When BCM operates rear wiper motor, power is supplied

- through BCM terminal 55
- to rear wiper motor terminal 1.

Ground is supplied

- to rear wiper motor terminal 3
- through grounds B117, B132 and D402.

With power and ground supplied, the rear wiper operates in intermittent mode.

AUTO STOP OPERATION

When the rear wiper arm is not located at the base of the rear window, and the rear wiper switch is turned OFF, the rear wiper motor will continue to operate until the rear wiper arm is at the base of the rear window. When the rear wiper arm reaches the base, rear wiper motor terminals 2 and 1 are connected.

Ground is supplied

- to BCM terminal 44
- through rear wiper motor terminal 2
- through rear wiper motor terminal 3
- through grounds B117, B132 and D402.

REAR WASHER OPERATION

When the ignition switch is in the ON or START position, and the front and rear washer switches are OFF, the front and rear washer motor is supplied power

- through 15A fuse [No. 4, located in the fuse block (J/B)]
- to combination switch (wiper switch) terminal 14
- through combination switch (wiper switch) terminal 11
- to front and rear washer motor terminal 2.

When the rear wiper switch is in rear washer position, the BCM detects a rear washer signal by BCM wiper switch reading function. Combination switch ground is supplied

- to front and rear washer motor terminal 1
- through combination switch (wiper switch) terminal 13
- through combination switch (wiper switch) terminal 12
- through grounds M57 and M61.

With ground supplied, the front and rear washer motor is operated in the rear direction.

When the BCM detects that the rear washer motor has operated for 0.4 seconds or longer, BCM operates the rear wiper motor.

When the BCM detects that the rear washer switch is in OFF, the rear wiper motor cycles approximately 3 times and then stops.

If the rear washer is operated with the rear wiper switch in the INT position, normal rear wiper operation will take over. Once the rear washer switch is released the rear wiper will return to INT operation.

A

B

C

D

E

F

G

H

I

J

WW

L

M

REAR WIPER AND WASHER SYSTEM

BCM WIPER SWITCH READING FUNCTION

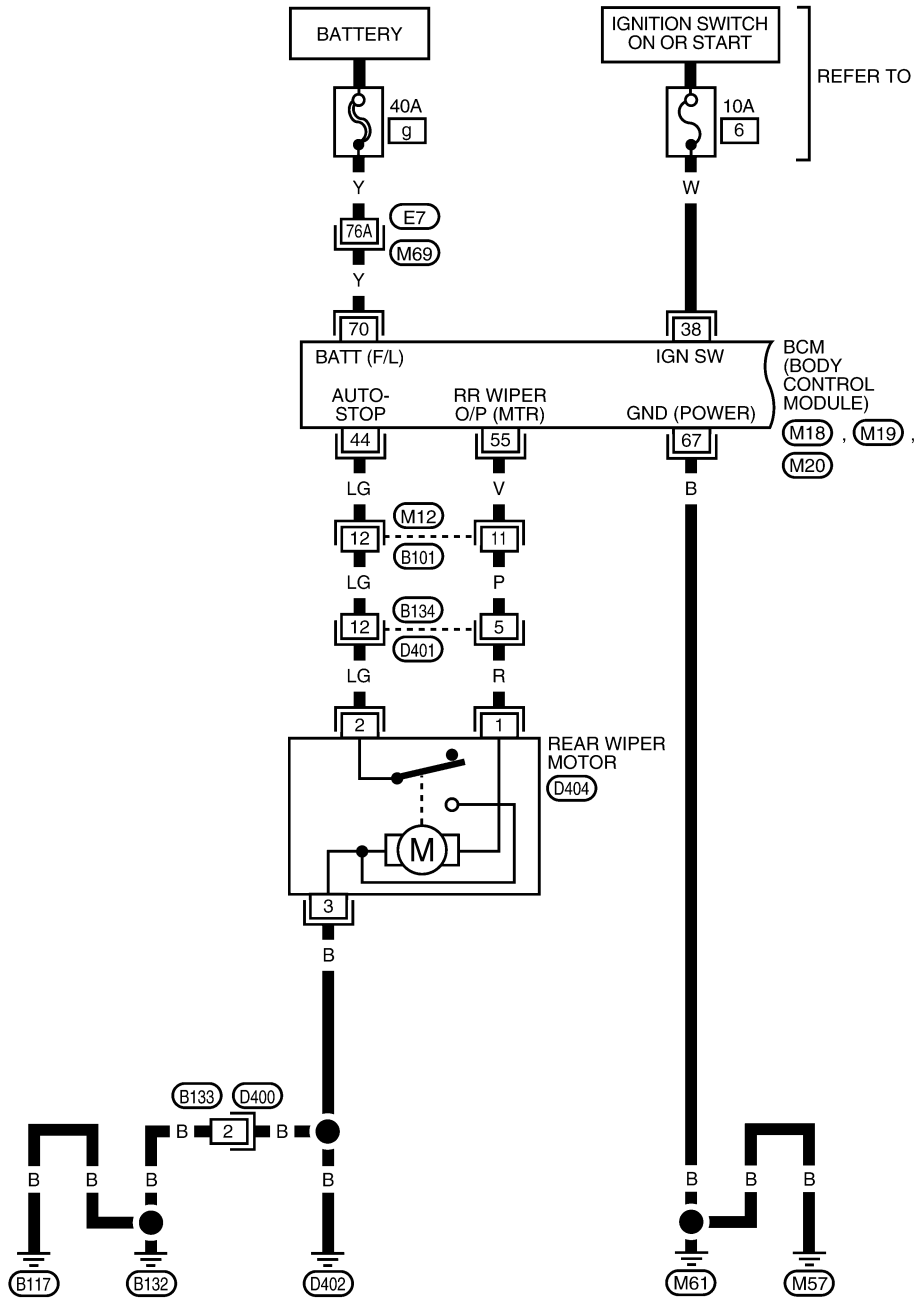
Refer to [BCS-3, "COMBINATION SWITCH READING FUNCTION"](#) .

REAR WIPER AND WASHER SYSTEM

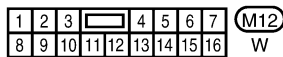
Wiring Diagram — WIP/R —

EKS001J

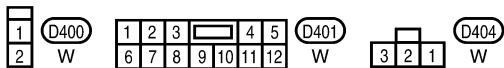
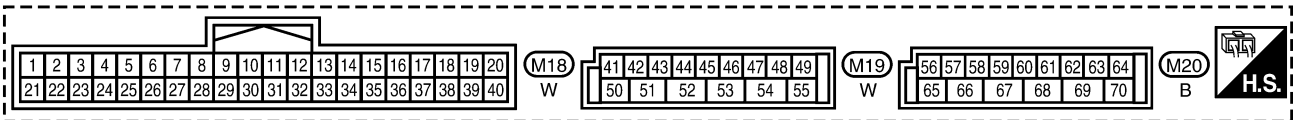
WW-WIP/R-01



A
B
C
D
E
F
G
H
I
J
WW
L
M



REFER TO THE FOLLOWING.
 (M69) - SUPER MULTIPLE JUNCTION (SMJ)



WKWA4994E

REAR WIPER AND WASHER SYSTEM

Terminals and Reference Values for BCM

EKS00ILK

Refer to [BCS-12, "Terminals and Reference Values for BCM"](#) .

How to Proceed With Trouble Diagnosis

EKS00ILL

1. Confirm the symptoms and customer complaint.
2. Understand operation description and function description. Refer to [WW-30, "System Description"](#) .
3. Perform the Preliminary Check. Refer to [WW-35, "Preliminary Check"](#) .
4. Check symptom and repair or replace the cause of malfunction.
5. Does the rear wiper operate normally? If YES: GO TO 6. If NO: GO TO 4.
6. Inspection End.

Preliminary Check

EKS00ILM

CHECK POWER SUPPLY AND GROUND CIRCUIT FOR BCM

Refer to [BCS-16, "BCM Power Supply and Ground Circuit Check"](#) .

CONSULT-II Function (BCM)

EKS00ILN

Refer to [WW-12, "CONSULT-II Functions \(BCM\)"](#) .

Rear Wiper Does Not Operate

EKS00ILO

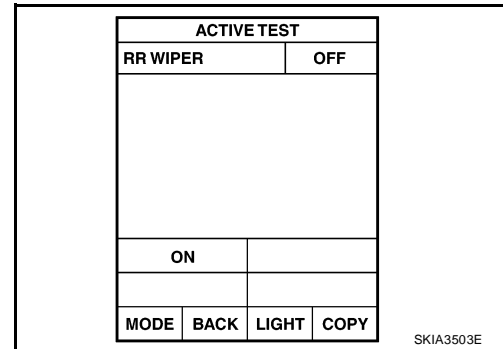
1. REAR WIPER ACTIVE TEST

1. Select "BCM" on CONSULT-II, and select "WIPER" on "SELECT TEST ITEM" screen.
2. Select "ACTIVE TEST" on "SELECT DIAG MODE" screen.
3. Select "RR WIPER" on "SELECT TEST ITEM" screen.
4. Make sure rear wiper operates.

Wiper should operate.

OK or NG

- OK >> GO TO 6.
- NG >> GO TO 2.



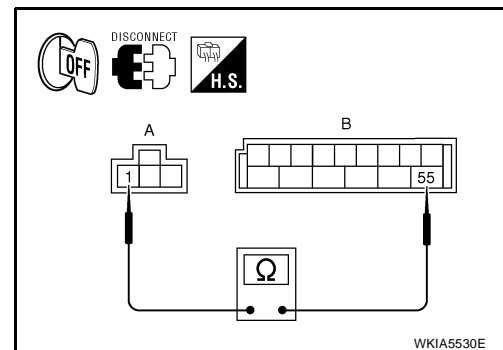
2. CHECK REAR WIPER MOTOR CIRCUIT

1. Turn ignition switch OFF.
2. Disconnect BCM connector M19 and rear wiper motor connector D404.
3. Check continuity between rear wiper motor connector (A) D404 terminal 1 and BCM connector (B) M19 terminal 55.

55 - 1 : Continuity should exist.

OK or NO

- OK >> GO TO 3.
- NO >> Repair harness or connector.



REAR WIPER AND WASHER SYSTEM

3. CHECK REAR WIPER MOTOR SHORT CIRCUIT

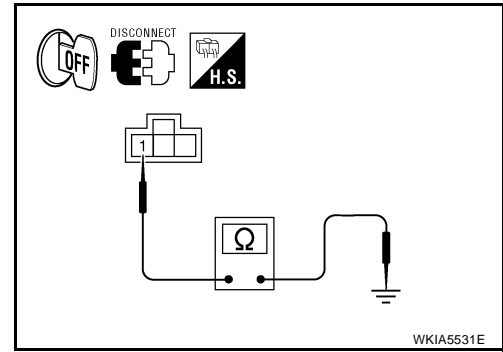
Check continuity between rear wiper motor harness D404 terminal 1 and ground.

1 - Ground : Continuity should not exist.

OK or NG

OK >> GO TO 4.

NG >> Repair harness or connector.



4. CHECK GROUND CIRCUIT

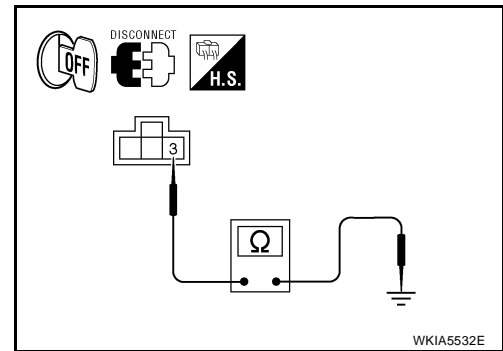
Check continuity between rear wiper motor connector D404 terminal 3 and ground.

3 - Ground : Continuity should exist.

OK or NG

OK >> GO TO 5.

NG >> Repair harness or connector.



5. CHECK REAR WIPER OPERATING

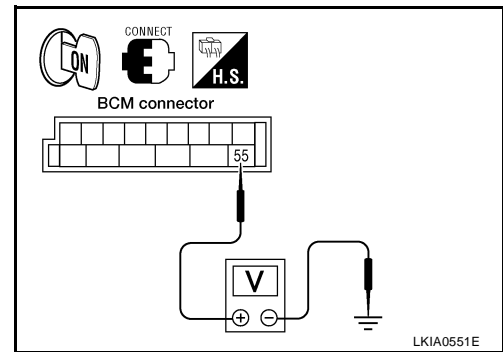
1. Connect BCM connector M19 and rear wiper motor connector D404.
2. Select "RR WIPER" during "ACTIVE TEST". Refer to [WW-14, "ACTIVE TEST"](#). When rear wiper is operating, check voltage between BCM harness connector terminal and ground.

BCM (+)		(-)	Condition	Voltage (Approx.)
Connector	Terminal			
M19	55	Ground	Stopped	0V
			ON operation	Battery voltage

OK or NG

OK >> Replace rear wiper motor. Refer to [WW-41, "REAR WIPER MOTOR"](#).

NG >> Replace BCM. Refer to [BCS-25, "Removal and Installation of BCM"](#).



REAR WIPER AND WASHER SYSTEM

6. CHECK COMBINATION SWITCH INPUT SIGNAL

Select "BCM" on CONSULT-II. With "WIPER" data monitor, make sure "RR WIPER INT", "RR WIPER ON" turn ON-OFF according to operation of wiper switch.

When wiper switch is in INT position : RR WIPER INT ON

When wiper switch is in ON position : RR WIPER ON ON

OK or NG

OK >> Replace BCM. Refer to [BCS-25, "Removal and Installation of BCM"](#).

NG >> Check the wiper switch. Refer to [BCS-3, "COMBINATION SWITCH READING FUNCTION"](#).

DATA MONITOR	
MONITOR	
RR WIPER INT	ON
RR WIPER ON	ON

SKIA4243E

Rear Wiper Stop Position Is Incorrect

EKS00ILP

1. CHECK COMBINATION SWITCH INPUT SIGNAL

Select "BCM" on CONSULT-II. With "WIPER" data monitor, make sure "RR WIPER STOP" turns ON-OFF according to wiper operation.

When wiper switch is in OFF position : RR WIPER STOP OFF

OK or NG

OK >> Replace BCM. Refer to [BCS-25, "Removal and Installation of BCM"](#).

NG >> GO TO 2.

DATA MONITOR	
MONITOR	
RR WIPER STOP	OFF

SKIA4244E

2. CHECK REAR WIPER MOTOR CIRCUIT

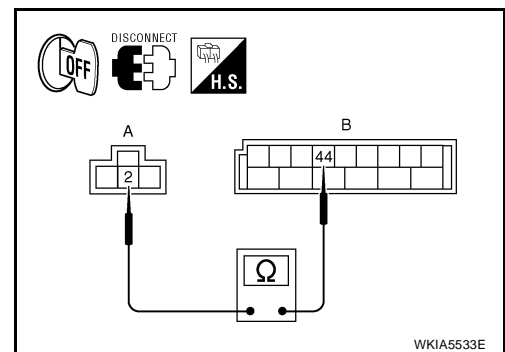
1. Turn ignition switch OFF.
2. Disconnect BCM connector M19 and rear wiper motor connector D404.
3. Check continuity between rear wiper motor connector (A) D404 terminal 2 and BCM connector (B) M19 terminal 44.

44 - 2 : Continuity should exist.

OK or NG

OK >> GO TO 3.

NG >> Repair harness or connector.



3. CHECK REAR WIPER MOTOR SHORT CIRCUIT

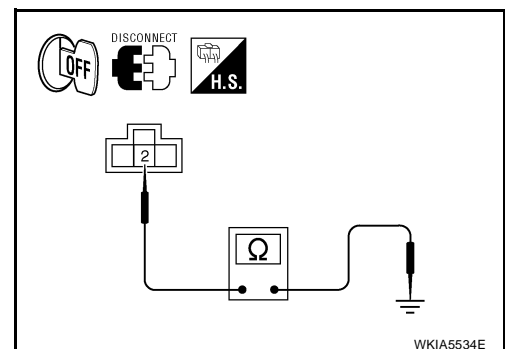
Check continuity between rear wiper motor connector D404 terminal 2 and ground.

2 - Ground : Continuity should not exist.

OK or NG

OK >> GO TO 4.

NG >> Repair harness or connector.



REAR WIPER AND WASHER SYSTEM

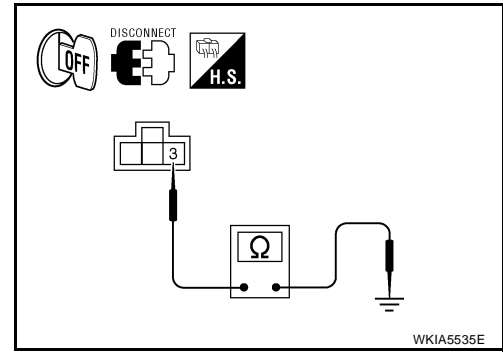
4. CHECK GROUND CIRCUIT

Check continuity between rear wiper motor connector D404 terminal 3 and ground.

3 - Ground : Continuity should exist.

OK or NG

- OK >> GO TO 5.
- NG >> Repair harness or connector.



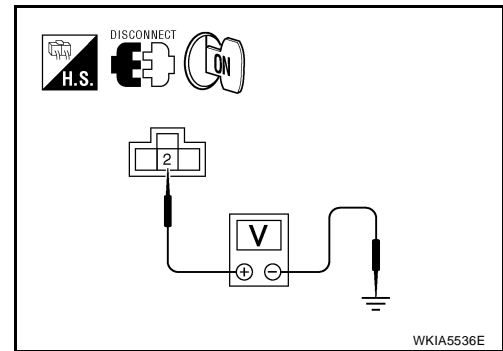
5. CHECK AUTO STOP SIGNAL

1. Connect BCM connector M19.
2. Turn ignition switch ON.
3. Check voltage between rear wiper motor connector D404 terminal 2 and ground.

2 - Ground : Battery voltage should exist.

OK or NG

- OK >> Replace BCM. Refer to [BCS-25, "Removal and Installation of BCM"](#).
- NG >> Replace rear wiper motor. Refer to [WW-41, "REAR WIPER MOTOR"](#).



Only Rear Wiper Does Not Operate

EKS00/LQ

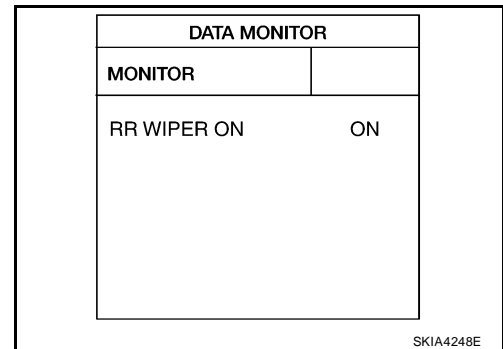
1. CHECK COMBINATION SWITCH INPUT SIGNAL

Select "BCM" on CONSULT-II. With "WIPER" data monitor, make sure "RR WIPER ON" turns ON-OFF according to operation of wiper switch.

When rear wiper switch is in ON position : RR WIPER ON ON

OK or NG

- OK >> Replace BCM. Refer to [BCS-25, "Removal and Installation of BCM"](#).
- NG >> Check the wiper switch. Refer to [BCS-3, "COMBINATION SWITCH READING FUNCTION"](#).



Only Rear Wiper Intermittent Does Not Operate

EKS00/LR

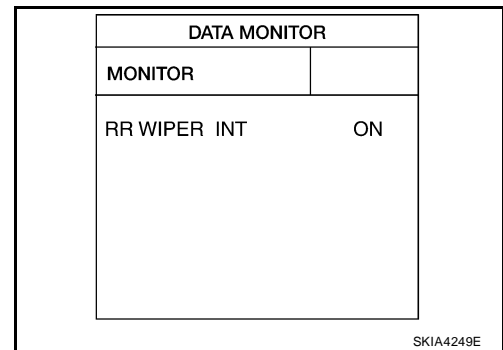
1. CHECK COMBINATION SWITCH INPUT SIGNAL

Select "BCM" on CONSULT-II. With "WIPER" data monitor, make sure "RR WIPER INT" turns ON-OFF according to operation of wiper switch.

When rear wiper switch is in INT position : RR WIPER INT ON

OK or NG

- OK >> Replace BCM. Refer to [BCS-25, "Removal and Installation of BCM"](#).
- NG >> Check the wiper switch. Refer to [BCS-3, "COMBINATION SWITCH READING FUNCTION"](#).



REAR WIPER AND WASHER SYSTEM

Wiper Does Not Wipe When Rear Washer Operates

EKS001LS

1. CHECK COMBINATION SWITCH INPUT SIGNAL

Select "BCM" on CONSULT-II. With "WIPER" data monitor, make sure "RR WASHER SW" turns ON-OFF according to operation of rear washer switch.

When rear wiper switch is in : RR WASHER SW ON WASHER position

OK or NG

- OK >> Replace BCM. Refer to [BCS-25, "Removal and Installation of BCM"](#).
- NG >> Check the wiper switch. Refer to [BCS-3, "COMBINATION SWITCH READING FUNCTION"](#).

DATA MONITOR	
MONITOR	
RR WASHER SW	ON

SKIA4250E

A
B
C
D
E
F
G
H
I
J
L
M

WW

REAR WIPER AND WASHER SYSTEM

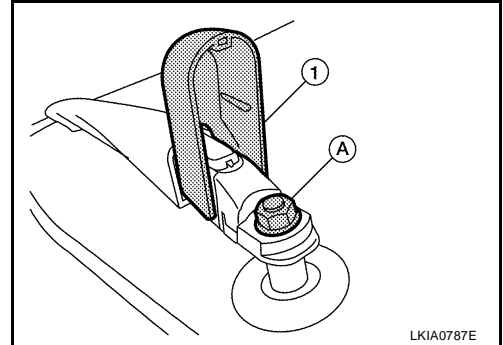
EKS00ILT

Removal and Installation

REAR WIPER ARM

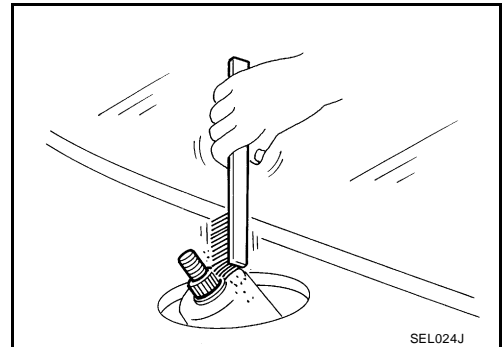
Removal

1. Raise wiper arm cover (1), and remove the rear wiper arm nut (A).
2. Remove the wiper arm.
3. Remove wiper blade.



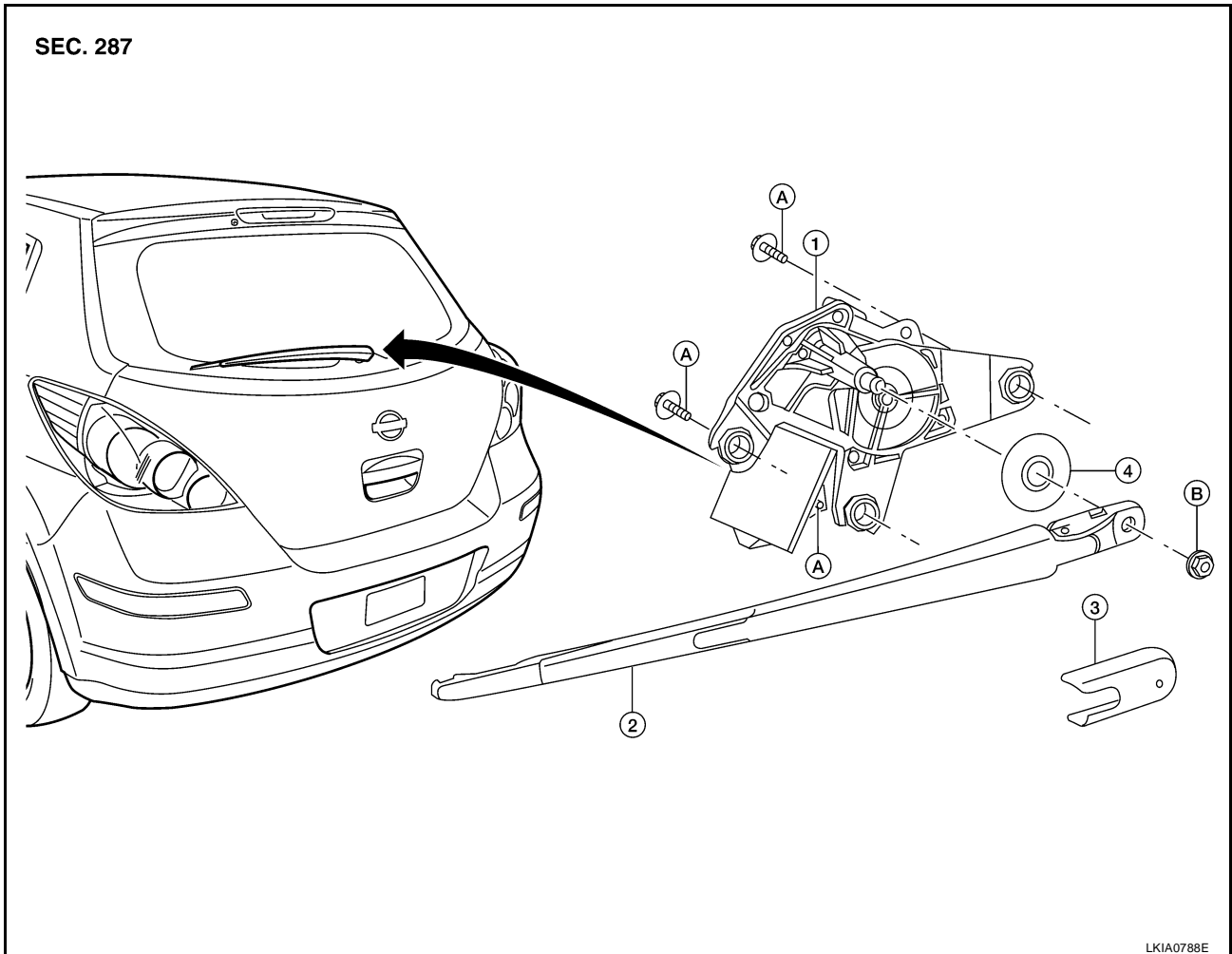
Installation

1. Operate rear wiper motor one full cycle, then turn "OFF" (Auto Stop).
2. Clean pivot area as shown. This will reduce the possibility of wiper arm looseness.
3. Install wiper blade.
4. Install wiper arm so that the arm rests in the stopper and tighten rear wiper arm nut.
5. Install wiper arm cover.



REAR WIPER AND WASHER SYSTEM

REAR WIPER MOTOR



1. Rear wiper motor

2. Rear wiper arm and blade

3. Wiper arm cover

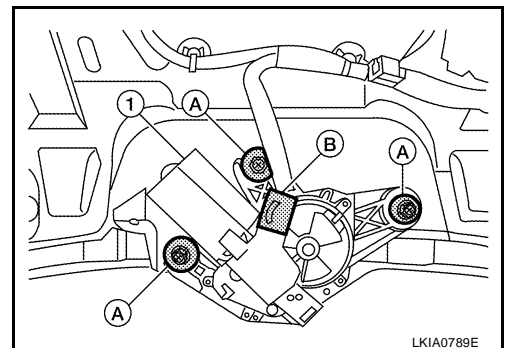
4. Pivot cap

A. Wiper motor bolts

B. Rear wiper motor nut

Removal

1. Remove wiper arm. Refer to [WW-40, "REAR WIPER ARM"](#).
2. Raise arm cap.
3. Remove the rear wiper motor nut, remove the rear wiper arm and blade.
4. Remove the back door lower finisher. Refer to [EI-31, "REMOVAL"](#).
5. Disconnect the rear wiper motor connector (B).
6. Remove the bolts (A) and remove the rear wiper motor (1).



Installation

Installation is in the reverse order of removal.

CAUTION:

Do not drop the wiper motor or cause it to contact other parts.

A
B
C
D
E
F
G
H
I
J

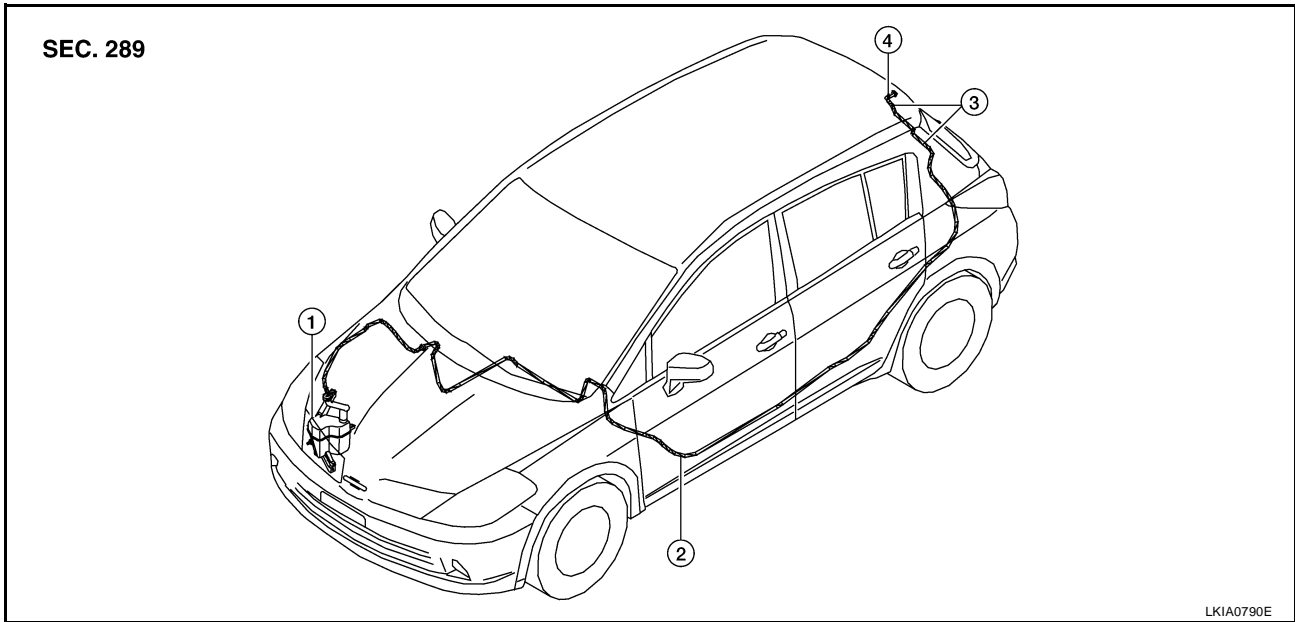
WW

L

M

REAR WIPER AND WASHER SYSTEM

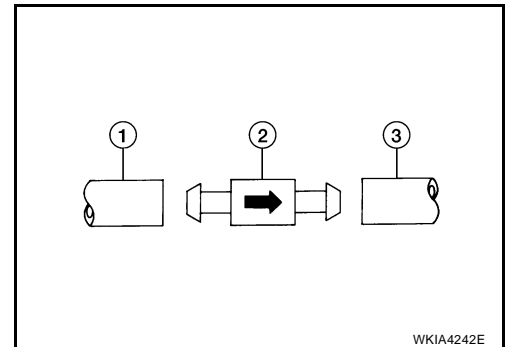
REAR WASHER TUBE LAYOUT



- 1 Washer fluid reservoir 2 Washer fluid tube to rear door 3 Rear washer nozzle
4 Check valve

NOTE:

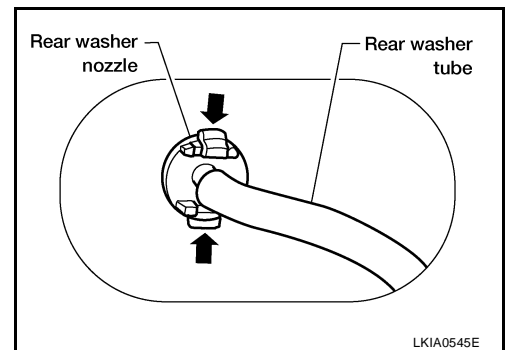
Connect the check valve (2) to the washer fluid tube (1) so that the directional arrow on the check valve (2) points towards the washer nozzle tube (3).



REAR WASHER NOZZLE

Removal

1. Remove the back door window garnish. Refer to [EI-31, "REMOVAL"](#).
2. Disconnect rear washer tube from rear washer nozzle.
3. Release retaining clips and remove washer nozzle.



REAR WIPER AND WASHER SYSTEM

Installation

Installation is in the reverse order of removal.

NOTE:

Inspect rear washer nozzle for proper spray pattern, adjust as necessary. Refer to [WW-43, "Washer Nozzle Adjustment"](#) .

WASHER FLUID RESERVOIR

Refer to [WW-28, "Removal and Installation of Washer Tank"](#) .

WIPER AND WASHER SWITCH

Refer to [WW-28, "Removal and Installation of Front Wiper and Washer Switch"](#) .

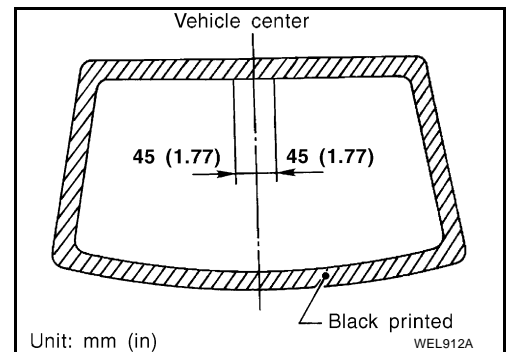
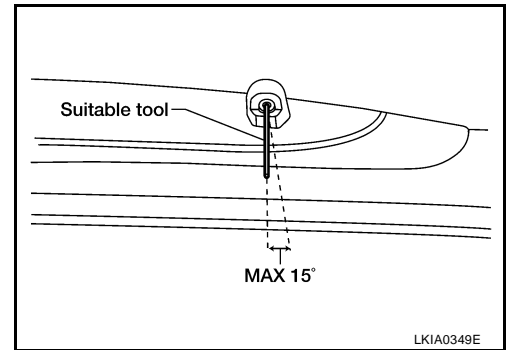
WASHER MOTOR

Refer to [WW-29, "Removal and Installation of Front Washer Motor"](#) .

Washer Nozzle Adjustment

Adjust the washer nozzle to specification using suitable tool as shown.

Adjustable range : $\pm 15^\circ$ (In any direction)



POWER SOCKET

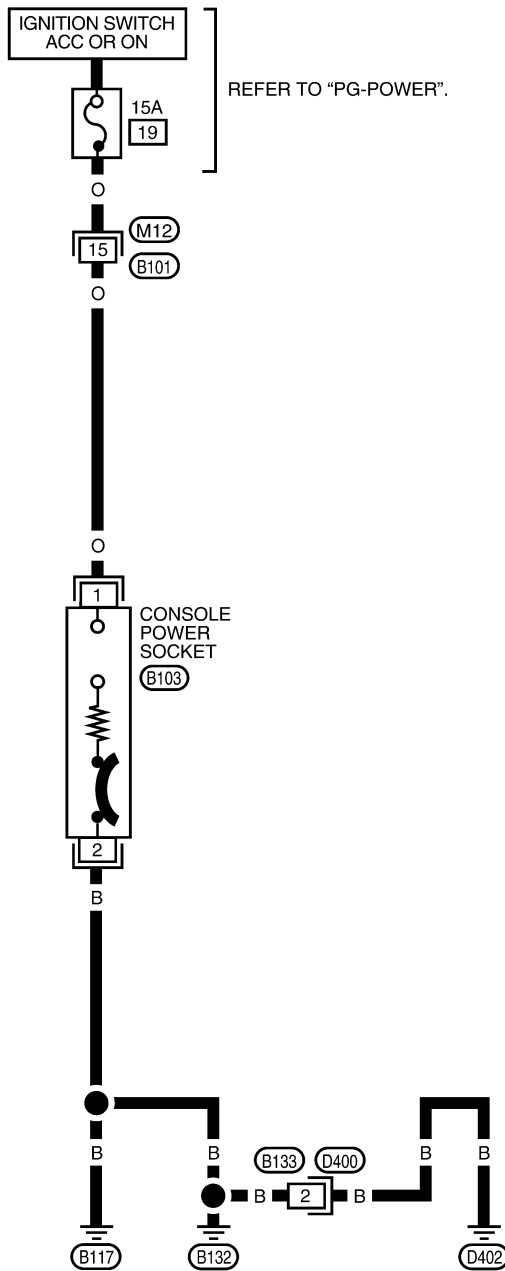
PF253A2

EKS0012D

POWER SOCKET

Wiring Diagram — P/SCKT —

WW-P/SCKT-01



WKWA4996E

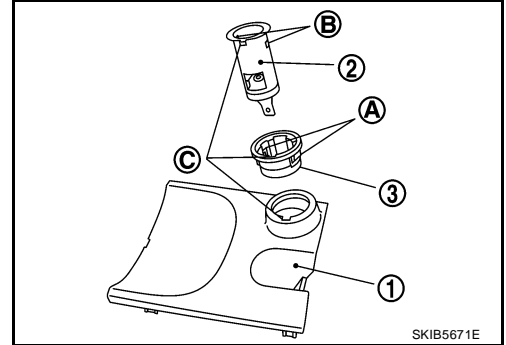
POWER SOCKET

EKS0012E

Removal and Installation

REMOVAL

1. Remove the console mask. Refer to [IP-10, "Component Parts"](#).
2. Remove the power socket (2) from the power socket ring (3), while pressing the hook (A) on the ring out from square hole (B).
 - Console mask (1)
 - Power socket assembly (C)



INSTALLATION

Installation is in the reverse order of removal.

NOTE:

Install the power socket with its cutout aligned with the power ring.

A
B
C
D
E
F
G
H
I
J
L
M

WW

HORN

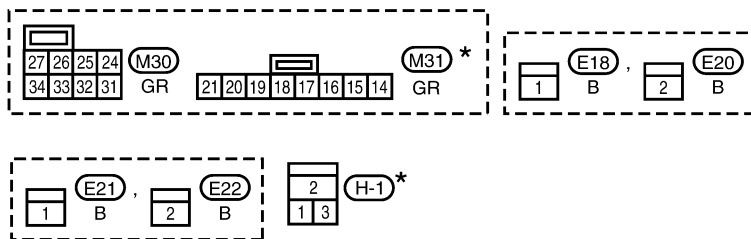
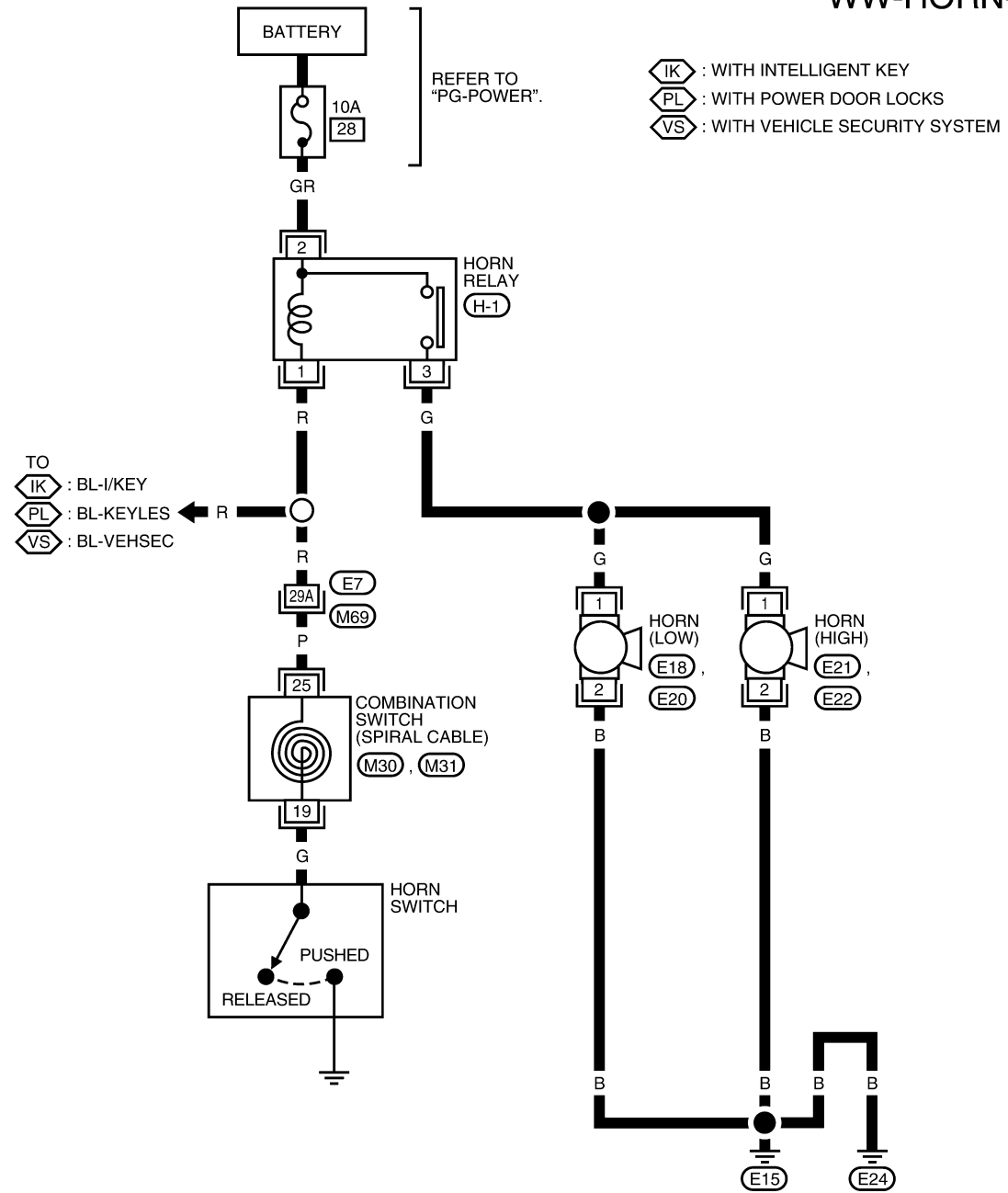
PFP:25610

HORN

Wiring Diagram — HORN —

EKS0012F

WW-HORN-01



REFER TO THE FOLLOWING.

(M69) - SUPER MULTIPLE JUNCTION (SMJ)

*: THIS CONNECTOR IS NOT SHOWN IN "HARNESS LAYOUT" OF PG SECTION.

WKWA4997E

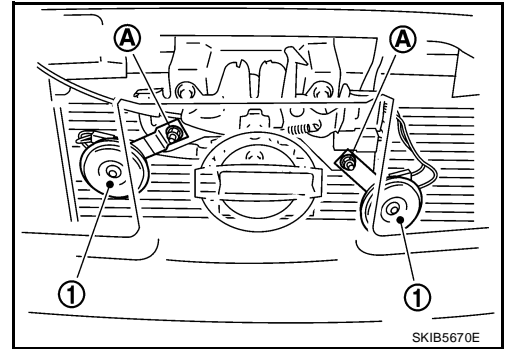
HORN

EKS0012G

Removal and Installation

REMOVAL

1. Remove the front grille. Refer to [EI-19, "Removal and Installation"](#).
2. Disconnect the horn connectors.
3. Remove the horn nuts (A) and remove the horns (1).



INSTALLATION

Installation is in the reverse order of removal.

A
B
C
D
E
F
G
H
I
J
L
M

WW

HORN
