

SECTION **PB**  
PARKING BRAKE SYSTEM

A  
B  
C  
D  
E  
PB  
G  
H  
I  
J  
K  
L  
M

CONTENTS

<b>PRECAUTIONS</b> .....	2	<b>COMPONENTS INSPECTION</b> .....	4
Precautions for Supplemental Restraint System (SRS) "AIR BAG" and "SEAT BELT PRE-TENSIONER" .....	2	<b>ADJUSTMENT</b> .....	4
<b>PREPARATION</b> .....	3	Components .....	5
Commercial Service Tools .....	3	Removal and Installation .....	6
<b>PARKING BRAKE CONTROL</b> .....	4	<b>REMOVAL</b> .....	6
On-Vehicle Service .....	4	<b>INSTALLATION</b> .....	6
<b>INSPECTION</b> .....	4	<b>SERVICE DATA AND SPECIFICATIONS (SDS)</b> .....	7
		Parking Brake Control .....	7

# PRECAUTIONS

---

## PRECAUTIONS

PF0:00001

### Precautions for Supplemental Restraint System (SRS) “AIR BAG” and “SEAT BELT PRE-TENSIONER”

EPS006M4

The Supplemental Restraint System such as “AIR BAG” and “SEAT BELT PRE-TENSIONER”, used along with a front seat belt, helps to reduce the risk or severity of injury to the driver and front passenger for certain types of collision. This system includes seat belt switch inputs and dual stage front air bag modules. The SRS system uses the seat belt switches to determine the front air bag deployment, and may only deploy one front air bag, depending on the severity of a collision and whether the front occupants are belted or unbelted. Information necessary to service the system safely is included in the SRS and SB section of this Service Manual.

#### **WARNING:**

- **To avoid rendering the SRS inoperative, which could increase the risk of personal injury or death in the event of a collision which would result in air bag inflation, all maintenance must be performed by an authorized NISSAN/INFINITI dealer.**
- **Improper maintenance, including incorrect removal and installation of the SRS, can lead to personal injury caused by unintentional activation of the system. For removal of Spiral Cable and Air Bag Module, see the SRS section.**
- **Do not use electrical test equipment on any circuit related to the SRS unless instructed to in this Service Manual. SRS wiring harnesses can be identified by yellow and/or orange harnesses or harness connectors.**

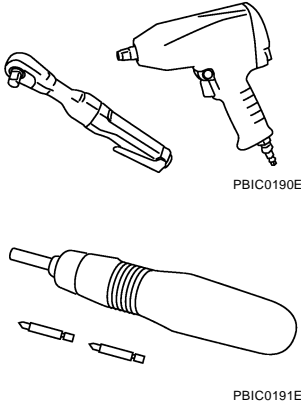
# PREPARATION

## PREPARATION

PF0:00002

### Commercial Service Tools

EF006M6

Tool name	Description
<p data-bbox="162 296 276 323">Power tool</p>  <p data-bbox="889 499 961 516">PBIC0190E</p> <p data-bbox="889 709 961 726">PBIC0191E</p>	<p data-bbox="1062 296 1396 323">Removing nuts, bolts and screws</p>

A  
B  
C  
D  
E  
PB  
G  
H  
I  
J  
K  
L  
M

# PARKING BRAKE CONTROL

## PARKING BRAKE CONTROL

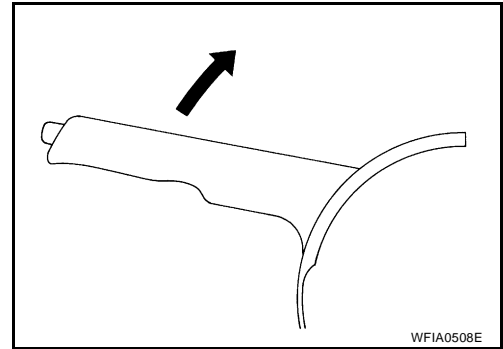
PF3:36010

### On-Vehicle Service INSPECTION

EF3006K3

When parking brake lever is operated with a force of 196 N (20 kg-f, 44 lb-f), make sure parking brake lever stroke is within the specified number of notches. (Check it by listening and counting ratchet clicks.)

**Number of notches : 8 - 9**

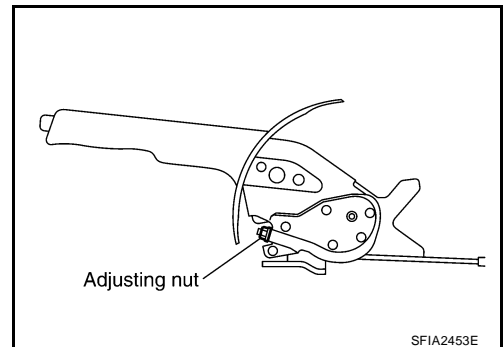


### COMPONENTS INSPECTION

- Make sure that the mounting conditions (looseness, backlash, etc.) of each component are normal.
- Check the following:
  - Device assembly for bends, damage and cracks. Replace if any damage is noted.
  - Cables and equalizer for wear and damage. Replace if any damage is noted.
  - Parking brake switch. Replace if it does not work correctly.

### ADJUSTMENT

1. Remove console mask cover. Refer to [IP-22, "Removal"](#) .
2. Engage parking brake lever, then lift up the end of the trim on the lever to access the adjusting nut.
3. Insert a deep socket wrench onto adjusting nut. Rotate adjusting nut to fully loosen cable, and then release parking brake lever.



4. Depress the foot brake about 10 times and adjust the rear shoe clearance.

#### **CAUTION:**

**Be sure to securely depress the foot brake.**

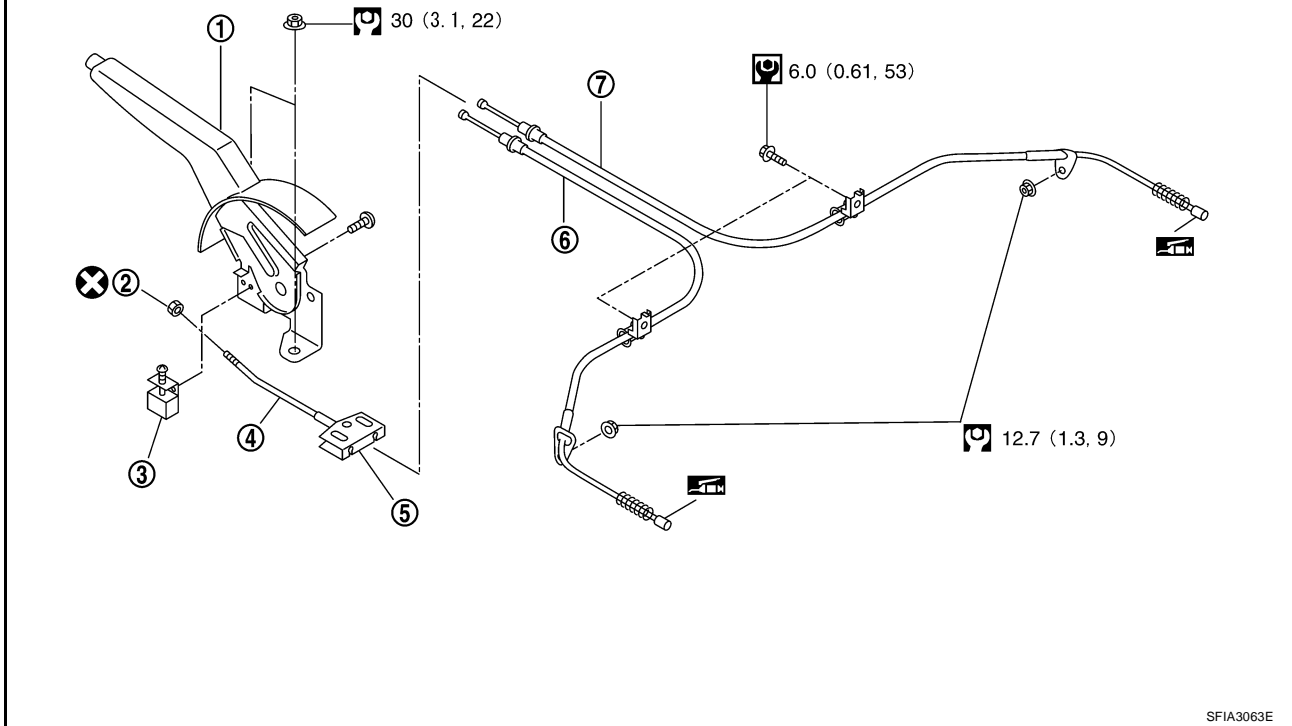
5. Rotate brake drum to make sure that there is no drag.
6. Adjust parking brake cable with the following procedure.
  - a. When replace parking brake cable, operate parking brake lever with a force of 490 N (50 kg-f, 110 lb-f) about 10 times.
  - b. Engage parking brake lever, then lift up the end of the trim on the lever to access the adjusting nut.
  - c. Rotate adjusting nut to adjust parking brake lever stroke using a deep socket wrench.
  - d. Operate parking brake lever with a force of 196 N (20 kg-f, 44 lb-f), make sure the parking brake lever stroke is within the specified number of notches. (Check it by listening and counting ratchet clicks.)
  - e. Make sure that there is no drag on rear brake with parking brake lever completely released.
7. Install console mask. Refer to [IP-22, "Removal"](#) .

# PARKING BRAKE CONTROL


## Components

EFS006K4

SEC.443



SFIA3063E

- |                    |  |                         |
|--------------------|--|-------------------------|
| 1. Device assembly | 2. Adjusting nut   | 3. Parking brake switch |
| 4. Front cable     | 5. Equalizer   | 6. LH rear cable        |
| 7. RH rear cable   |  : Multi-purpose grease |                         |

Refer to GI section [GI-10, "Components"](#) for symbol marks except as shown above.

A  
B  
C  
D  
E  
PB  
G  
H  
I  
J  
K  
L  
M

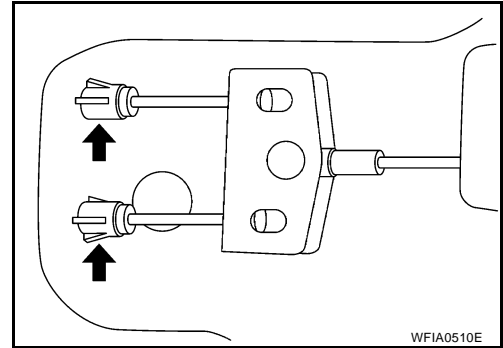
# PARKING BRAKE CONTROL

EFS006K5

## Removal and Installation

### REMOVAL

1. Remove center console assembly. Refer to [IP-22, "CENTER CONSOLE ASSEMBLY"](#) .
2. Disconnect parking brake switch connector.
3. Loosen adjusting nut.
4. Remove equalizer from rear cable terminal ends.
5. Take off rear cable clip, and unplug rear cable outward. (Close opening to take off clip.)



6. Remove device assembly mounting nuts, and remove device assembly from vehicle.
7. Remove rear brake shoe and remove rear cable from the operating lever. Refer to [BR-31, "REMOVAL"](#) .
8. Remove the exhaust center tube and heat plate. Refer to [EX-4, "REMOVAL"](#) .
9. Remove rear cable mounting bolt and nut, and then remove rear cable from the vehicle.
10. Remove adjusting nut and front cable from device assembly.

### INSTALLATION

1. Installation is in the reverse order of the removal. Tighten mounting bolts and nuts to the specified torque.
2. Adjust clearance of rear brake shoes. Refer to [PB-4, "On-Vehicle Service"](#) .

# SERVICE DATA AND SPECIFICATIONS (SDS)

## SERVICE DATA AND SPECIFICATIONS (SDS)

PFP:00030

### Parking Brake Control

EFS006K6

Control type	Hand lever
Number of notches [under a force of 196 N (20 kg-f, 44lb-f)]	8 – 9
Number of notches when warning lamp switch comes on	1

A

B

C

D

E

**PB**

G

H

I

J

K

L

M

# SERVICE DATA AND SPECIFICATIONS (SDS)

---