

SECTION **INT**  
INTERIOR

A  
B  
C  
D  
E  
F  
G  
H  
I  
INT  
K  
L  
M  
N  
O  
P

CONTENTS

<b>SYMPTOM DIAGNOSIS</b> .....	2	<b>PREPARATION</b> .....	9
<b>SQUEAK AND RATTLE TROUBLE DIAG- NOSES</b> .....	2	Special Service Tool .....	9
Work Flow .....	2	Commercial Service Tool .....	9
Generic Squeak and Rattle Troubleshooting .....	4	<b>ON-VEHICLE REPAIR</b> .....	10
Diagnostic Worksheet .....	6	<b>DOOR FINISHER</b> .....	10
<b>PRECAUTION</b> .....	8	Removal and Installation .....	10
<b>PRECAUTIONS</b> .....	8	<b>BODY SIDE TRIM</b> .....	14
Precaution for Supplemental Restraint System (SRS) "AIR BAG" and "SEAT BELT PRE-TEN- SIONER" .....	8	Removal and Installation .....	14
Service Notice .....	8	<b>FLOOR TRIM</b> .....	19
<b>PREPARATION</b> .....	9	Removal and Installation .....	19
		<b>HEADLINING</b> .....	21
		Removal and Installation .....	21

# SQUEAK AND RATTLE TROUBLE DIAGNOSES

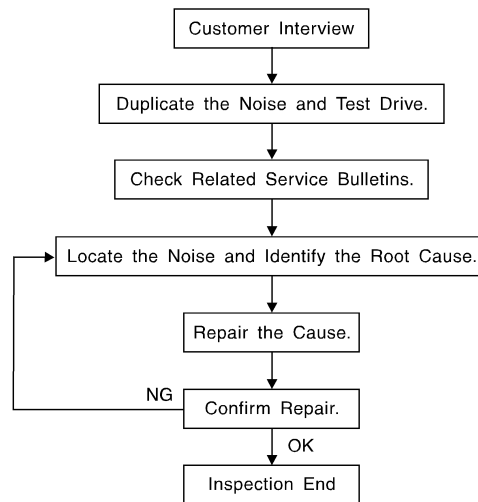
< SYMPTOM DIAGNOSIS >

## SYMPTOM DIAGNOSIS

### SQUEAK AND RATTLE TROUBLE DIAGNOSES

#### Work Flow

INFOID:000000003788343



SBT842

#### CUSTOMER INTERVIEW

Interview the customer if possible, to determine the conditions that exist when the noise occurs. Use the Diagnostic Worksheet during the interview to document the facts and conditions when the noise occurs and any customer's comments; refer to [INT-6. "Diagnostic Worksheet"](#). This information is necessary to duplicate the conditions that exist when the noise occurs.

- The customer may not be able to provide a detailed description or the location of the noise. Attempt to obtain all the facts and conditions that exist when the noise occurs (or does not occur).
- If there is more than one noise in the vehicle, be sure to diagnose and repair the noise that the customer is concerned about. This can be accomplished by test driving the vehicle with the customer.
- After identifying the type of noise, isolate the noise in terms of its characteristics. The noise characteristics are provided so the customer, service adviser and technician are all speaking the same language when defining the noise.
- Squeak —(Like tennis shoes on a clean floor)  
Squeak characteristics include the light contact/fast movement/brought on by road conditions/hard surfaces = higher pitch noise/softer surfaces = lower pitch noises/edge to surface = chirping.
- Creak—(Like walking on an old wooden floor)  
Creak characteristics include firm contact/slow movement/twisting with a rotational movement/pitch dependent on materials/often brought on by activity.
- Rattle—(Like shaking a baby rattle)  
Rattle characteristics include the fast repeated contact/vibration or similar movement/loose parts/missing clip or fastener/incorrect clearance.
- Knock —(Like a knock on a door)  
Knock characteristics include hollow sounding/sometimes repeating/often brought on by driver action.
- Tick—(Like a clock second hand)  
Tick characteristics include gentle contacting of light materials/loose components/can be caused by driver action or road conditions.
- Thump—(Heavy, muffled knock noise)  
Thump characteristics include softer knock/dead sound often brought on by activity.
- Buzz—(Like a bumble bee)  
Buzz characteristics include high frequency rattle/firm contact.
- Often the degree of acceptable noise level will vary depending upon the person. A noise that you may judge as acceptable may be very irritating to the customer.
- Weather conditions, especially humidity and temperature, may have a great effect on noise level.

#### DUPLICATE THE NOISE AND TEST DRIVE

# SQUEAK AND RATTLE TROUBLE DIAGNOSES

## < SYMPTOM DIAGNOSIS >

If possible, drive the vehicle with the customer until the noise is duplicated. Note any additional information on the Diagnostic Worksheet regarding the conditions or location of the noise. This information can be used to duplicate the same conditions when you confirm the repair.

If the noise can be duplicated easily during the test drive, to help identify the source of the noise, try to duplicate the noise with the vehicle stopped by doing one or all of the following:

- 1) Close a door.
  - 2) Tap or push/pull around the area where the noise appears to be coming from.
  - 3) Rev the engine.
  - 4) Use a floor jack to recreate vehicle "twist".
  - 5) At idle, apply engine load (electrical load, half-clutch on M/T model, drive position on A/T model).
  - 6) Raise the vehicle on a hoist and hit a tire with a rubber hammer.
- Drive the vehicle and attempt to duplicate the conditions the customer states exist when the noise occurs.
  - If it is difficult to duplicate the noise, drive the vehicle slowly on an undulating or rough road to stress the vehicle body.

## CHECK RELATED SERVICE BULLETINS

After verifying the customer concern or symptom, check ASIST for Technical Service Bulletins (TSBs) related to that concern or symptom.

If a TSB relates to the symptom, follow the procedure to repair the noise.

## LOCATE THE NOISE AND IDENTIFY THE ROOT CAUSE

1. Narrow down the noise to a general area. To help pinpoint the source of the noise, use a listening tool (Chassis Ear: J-39570, Engine Ear: J-39565 and mechanic's stethoscope).
2. Narrow down the noise to a more specific area and identify the cause of the noise by:
  - removing the components in the area that you suspect the noise is coming from.  
Do not use too much force when removing clips and fasteners, otherwise clips and fasteners can be broken or lost during the repair, resulting in the creation of new noise.
  - tapping or pushing/pulling the component that you suspect is causing the noise.  
Do not tap or push/pull the component with excessive force, otherwise the noise will be eliminated only temporarily.
  - feeling for a vibration with your hand by touching the component(s) that you suspect is (are) causing the noise.
  - placing a piece of paper between components that you suspect are causing the noise.
  - looking for loose components and contact marks.  
Refer to [INT-4, "Generic Squeak and Rattle Troubleshooting"](#).

## REPAIR THE CAUSE

- If the cause is a loose component, tighten the component securely.
- If the cause is insufficient clearance between components:
  - separate components by repositioning or loosening and retightening the component, if possible.
  - insulate components with a suitable insulator such as urethane pads, foam blocks, felt cloth tape or urethane tape. A NISSAN Squeak and Rattle Kit (J-43980) is available through your authorized NISSAN Parts Department.

### **CAUTION:**

**Do not use excessive force as many components are constructed of plastic and may be damaged.**

**Always check with the Parts Department for the latest parts information.**

**The following materials are contained in the NISSAN Squeak and Rattle Kit (J-43980). Each item can be ordered separately as needed.**

**URETHANE PADS [1.5 mm (0.059 in) thick]**

**Insulates connectors, harness, etc.**

**76268-9E005: 100×135 mm (3.94×5.31 in)/76884-71L01: 60×85 mm (2.36×3.35 in)/76884-71L02: 15×25 mm (0.59×0.98 in)**

**INSULATOR (Foam blocks)**

**Insulates components from contact. Can be used to fill space behind a panel.**

**73982-9E000: 45 mm (1.77 in) thick, 50×50 mm (1.97×1.97 in)/73982-50Y00: 10 mm (0.39 in) thick, 50×50 mm (1.97×1.97 in)**

**INSULATOR (Light foam block)**

**80845-71L00: 30 mm (1.18 in) thick, 30×50 mm (1.18×1.97 in)**

**FELT CLOTH TAPE**

**Used to insulate where movement does not occur. Ideal for instrument panel applications.**

# SQUEAK AND RATTLE TROUBLE DIAGNOSES

## < SYMPTOM DIAGNOSIS >

**68370-4B000: 15×25 mm (0.59×0.98 in) pad/68239-13E00: 5 mm (0.20 in) wide tape roll.** The following materials not found in the kit can also be used to repair squeaks and rattles.

### **UHMW (TEFLON) TAPE**

Insulates where slight movement is present. Ideal for instrument panel applications.

### **SILICONE GREASE**

Used instead of UHMW tape that will be visible or not fit.

Note: Will only last a few months.

### **SILICONE SPRAY**

Use when grease cannot be applied.

### **DUCT TAPE**

Use to eliminate movement.

## CONFIRM THE REPAIR

Confirm that the cause of a noise is repaired by test driving the vehicle. Operate the vehicle under the same conditions as when the noise originally occurred. Refer to the notes on the Diagnostic Worksheet.

## Generic Squeak and Rattle Troubleshooting

INFOID:000000003788344

Refer to Table of Contents for specific component removal and installation information.

## INSTRUMENT PANEL

Most incidents are caused by contact and movement between:

1. The cluster lid A and instrument panel
2. Acrylic lens and combination meter housing
3. Instrument panel to front pillar garnish
4. Instrument panel to windshield
5. Instrument panel mounting pins
6. Wiring harnesses behind the combination meter
7. A/C defroster duct and duct joint

These incidents can usually be located by tapping or moving the components to duplicate the noise or by pressing on the components while driving to stop the noise. Most of these incidents can be repaired by applying felt cloth tape or silicone spray (in hard to reach areas). Urethane pads can be used to insulate wiring harness.

### **CAUTION:**

**Do not use silicone spray to isolate a squeak or rattle. If you saturate the area with silicone, you will not be able to recheck the repair.**

## CENTER CONSOLE

Components to pay attention to include:

1. Shifter assembly cover to finisher
2. A/C control unit and cluster lid C
3. Wiring harnesses behind audio and A/C control unit

The instrument panel repair and isolation procedures also apply to the center console.

## DOORS

Pay attention to the:

1. Finisher and inner panel making a slapping noise
2. Inside handle escutcheon to door finisher
3. Wiring harnesses tapping
4. Door striker out of alignment causing a popping noise on starts and stops

Tapping or moving the components or pressing on them while driving to duplicate the conditions can isolate many of these incidents. You can usually insulate the areas with felt cloth tape or insulator foam blocks from the NISSAN Squeak and Rattle Kit (J-43980) to repair the noise.

## TRUNK

Trunk noises are often caused by a loose jack or loose items put into the trunk by the owner.

In addition look for:

1. Trunk lid bumpers out of adjustment

# SQUEAK AND RATTLE TROUBLE DIAGNOSES

## < SYMPTOM DIAGNOSIS >

---

2. Trunk lid striker out of adjustment
3. The trunk lid torsion bars knocking together
4. A loose license plate or bracket

Most of these incidents can be repaired by adjusting, securing or insulating the item(s) or component(s) causing the noise.

## SUNROOF/HEADLINING

Noises in the sunroof/headlining area can often be traced to one of the following:

1. Sunroof lid, rail, linkage or seals making a rattle or light knocking noise
2. Sun visor shaft shaking in the holder
3. Front or rear windshield touching headliner and squeaking

Again, pressing on the components to stop the noise while duplicating the conditions can isolate most of these incidents. Repairs usually consist of insulating with felt cloth tape.

## OVERHEAD CONSOLE (FRONT AND REAR)

Overhead console noises are often caused by the console panel clips not being engaged correctly. Most of these incidents are repaired by pushing up on the console at the clip locations until the clips engage.

In addition look for:

1. Loose harness or harness connectors.
2. Front console map/reading lamp lens loose.
3. Loose screws at console attachment points.

## SEATS

When isolating seat noise it's important to note the position the seat is in and the load placed on the seat when the noise is present. These conditions should be duplicated when verifying and isolating the cause of the noise.

Cause of seat noise include:

1. Headrest rods and holder
2. A squeak between the seat pad cushion and frame
3. The rear seatback lock and bracket

These noises can be isolated by moving or pressing on the suspected components while duplicating the conditions under which the noise occurs. Most of these incidents can be repaired by repositioning the component or applying urethane tape to the contact area.

## UNDERHOOD

Some interior noise may be caused by components under the hood or on the engine wall. The noise is then transmitted into the passenger compartment.

Causes of transmitted underhood noise include:

1. Any component mounted to the engine wall
2. Components that pass through the engine wall
3. Engine wall mounts and connectors
4. Loose radiator mounting pins
5. Hood bumpers out of adjustment
6. Hood striker out of adjustment

These noises can be difficult to isolate since they cannot be reached from the interior of the vehicle. The best method is to secure, move or insulate one component at a time and test drive the vehicle. Also, engine RPM or load can be changed to isolate the noise. Repairs can usually be made by moving, adjusting, securing, or insulating the component causing the noise.

A  
B  
C  
D  
E  
F  
G  
H  
I  
K  
L  
M  
N  
O  
P

INT

# SQUEAK AND RATTLE TROUBLE DIAGNOSES

< SYMPTOM DIAGNOSIS >

## Diagnostic Worksheet

INFOID:000000003788345

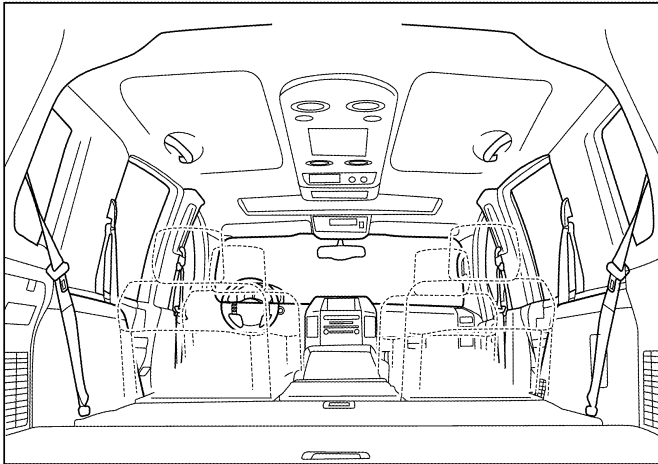
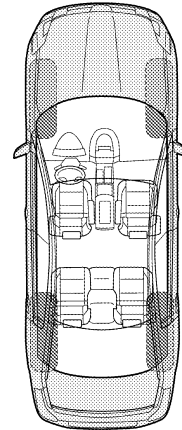
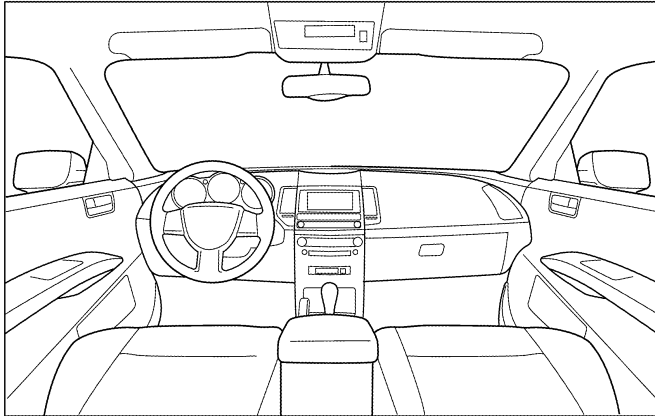
Dear Customer:

We are concerned about your satisfaction with your vehicle. Repairing a squeak or rattle sometimes can be very difficult. To help us fix your vehicle right the first time, please take a moment to note the area of the vehicle where the squeak or rattle occurs and under what conditions. You may be asked to take a test drive with a service advisor or technician to ensure we confirm the noise you are hearing.

### SQUEAK & RATTLE DIAGNOSTIC WORKSHEET

#### I. WHERE DOES THE NOISE COME FROM? (circle the area of the vehicle)

The illustrations are for reference only, and may not reflect the actual configuration of your vehicle.



Continue to page 2 of the worksheet and briefly describe the location of the noise or rattle. In addition, please indicate the conditions which are present when the noise occurs.

# SQUEAK AND RATTLE TROUBLE DIAGNOSES

< SYMPTOM DIAGNOSIS >

## SQUEAK & RATTLE DIAGNOSTIC WORKSHEET - page 2

Briefly describe the location where the noise occurs:

---

---

### II. WHEN DOES IT OCCUR? (please check the boxes that apply)

- |   |  |
|---|--|
| <input type="checkbox"/> Anytime                      | <input type="checkbox"/> After sitting out in the rain |
| <input type="checkbox"/> 1st time in the morning      | <input type="checkbox"/> When it is raining or wet     |
| <input type="checkbox"/> Only when it is cold outside | <input type="checkbox"/> Dry or dusty conditions       |
| <input type="checkbox"/> Only when it is hot outside  | <input type="checkbox"/> Other:                        |

### III. WHEN DRIVING:

- Through driveways
- Over rough roads
- Over speed bumps
- Only about \_\_\_\_ mph
- On acceleration
- Coming to a stop
- On turns: left, right or either (circle)
- With passengers or cargo
- Other: \_\_\_\_\_
- After driving \_\_\_\_ miles or \_\_\_\_ minutes

### IV. WHAT TYPE OF NOISE

- Squeak (like tennis shoes on a clean floor)
- Creak (like walking on an old wooden floor)
- Rattle (like shaking a baby rattle)
- Knock (like a knock at the door)
- Tick (like a clock second hand)
- Thump (heavy muffled knock noise)
- Buzz (like a bumble bee)

### TO BE COMPLETED BY DEALERSHIP PERSONNEL

Test Drive Notes:

---

---

---

	YES	NO	Initials of person performing
Vehicle test driven with customer	<input type="checkbox"/>	<input type="checkbox"/>	_____
- Noise verified on test drive	<input type="checkbox"/>	<input type="checkbox"/>	_____
- Noise source located and repaired	<input type="checkbox"/>	<input type="checkbox"/>	_____
- Follow up test drive performed to confirm repair	<input type="checkbox"/>	<input type="checkbox"/>	_____

VIN: \_\_\_\_\_ Customer Name \_\_\_\_\_

W.O.# \_\_\_\_\_ Date: \_\_\_\_\_

This form must be attached to Work Order

LAI A0071E

A  
B  
C  
D  
E  
F  
G  
H  
I  
K  
L  
M  
N  
O  
P

INT

# PRECAUTIONS

< PRECAUTION >

## PRECAUTION

### PRECAUTIONS

#### Precaution for Supplemental Restraint System (SRS) "AIR BAG" and "SEAT BELT PRE-TENSIONER"

INFOID:000000003788346

The Supplemental Restraint System such as "AIR BAG" and "SEAT BELT PRE-TENSIONER", used along with a front seat belt, helps to reduce the risk or severity of injury to the driver and front passenger for certain types of collision. This system includes seat belt switch inputs and dual stage front air bag modules. The SRS system uses the seat belt switches to determine the front air bag deployment, and may only deploy one front air bag, depending on the severity of a collision and whether the front occupants are belted or unbelted. Information necessary to service the system safely is included in the SR and SB section of this Service Manual.

#### **WARNING:**

- **To avoid rendering the SRS inoperative, which could increase the risk of personal injury or death in the event of a collision which would result in air bag inflation, all maintenance must be performed by an authorized NISSAN/INFINITI dealer.**
- **Improper maintenance, including incorrect removal and installation of the SRS, can lead to personal injury caused by unintentional activation of the system. For removal of Spiral Cable and Air Bag Module, see the SR section.**
- **Do not use electrical test equipment on any circuit related to the SRS unless instructed to in this Service Manual. SRS wiring harnesses can be identified by yellow and/or orange harnesses or harness connectors.**

#### Service Notice

INFOID:000000003788347

- When removing or installing various parts, place a cloth or padding on the vehicle body to prevent scratches.
- Handle trim, molding, instruments, grille, etc. carefully during removing or installing. Be careful not to soil or damage them.
- Apply sealing compound where necessary when installing parts.
- When applying sealing compound, be careful that the sealing compound does not protrude from parts.
- When replacing any metal parts (for example body outer panel, members, etc.), be sure to take rust prevention measures.



# PREPARATION

< PREPARATION >

## PREPARATION

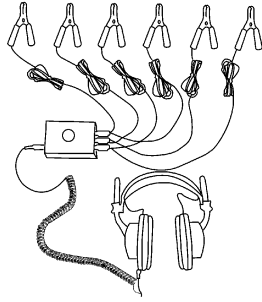
### PREPARATION

#### Special Service Tool

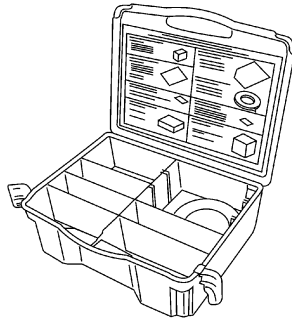
INFOID:000000003788348

The actual shapes of Kent-Moore tools may differ from those of special service tools illustrated here.

Tool number (Kent-Moore No.) Tool name	Description
— (J-39570) Chassis ear	Locating the noise
— (J-43980) NISSAN Squeak and Rattle kit	Repairing the cause of noise



SBT839

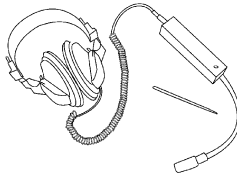


SBT840

#### Commercial Service Tool

INFOID:000000003788349

(Kent-Moore No.) Tool name	Description
(J-39565) Engine ear	Locating the noise



SIIA0995E

A  
B  
C  
D  
E  
F  
G  
H  
I  
INT  
K  
L  
M  
N  
O  
P

# DOOR FINISHER

< ON-VEHICLE REPAIR >

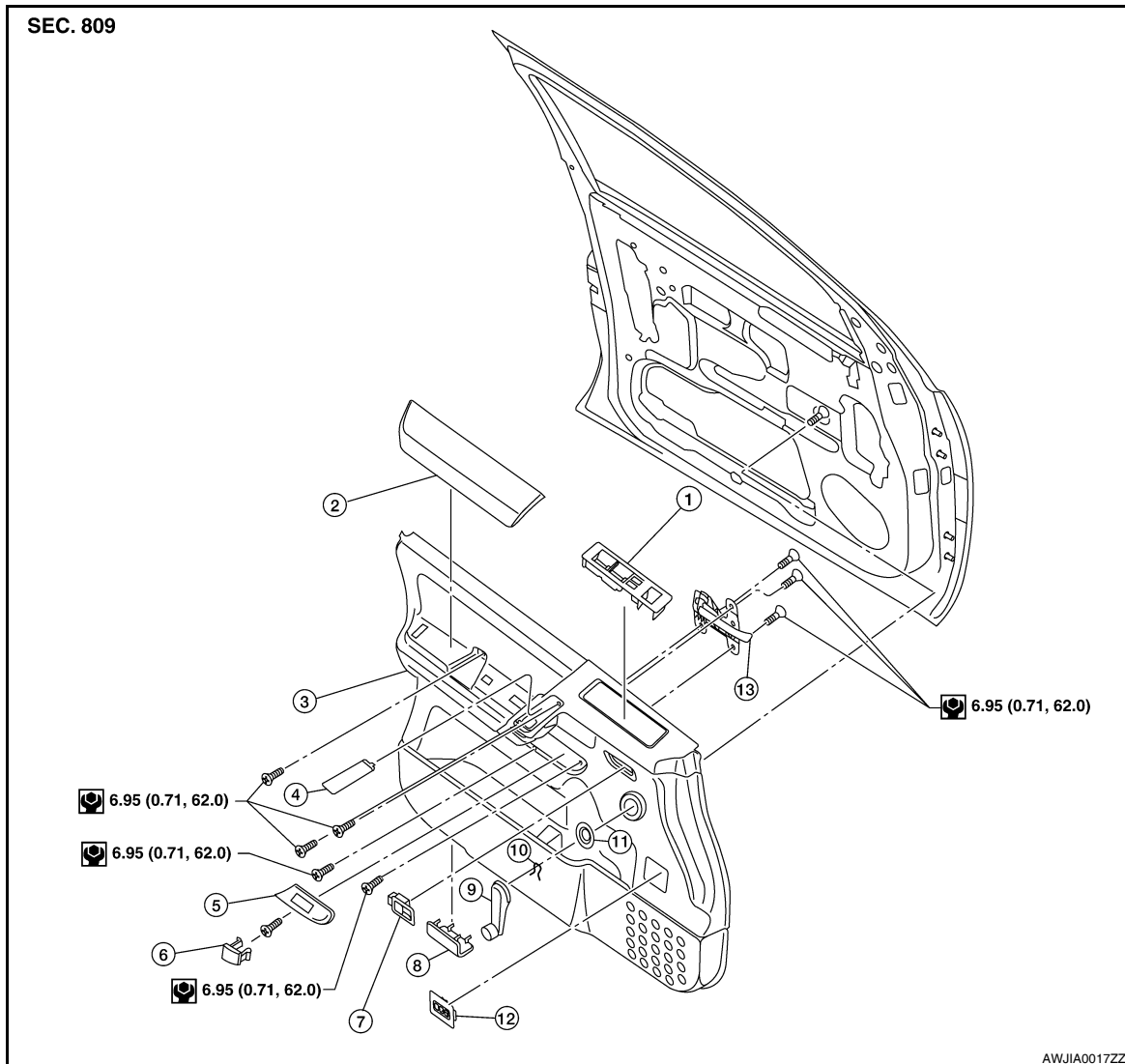
## ON-VEHICLE REPAIR

### DOOR FINISHER

#### Removal and Installation

INFOID:000000003788350

#### FRONT DOOR



- |   |  |                                      |
|---|--|--------------------------------------|
| 1. Power window switch assembly (if equipped)   | 2. Armrest                                       | 3. Front door finisher LH            |
| 4. Pull handle cover                            | 5. Pull handle escutcheon                        | 6. Cap                               |
| 7. Door lock knob                               | 8. Step lamp                                     | 9. Window crank handle (if equipped) |
| 10. Window crank handle lock clip (if equipped) | 11. Window crank handle escutcheon (if equipped) | 12. Seat memory switch (if equipped) |
| 13. Inside door handle assembly                 |  |                                      |

#### Removal

1. Remove the power window switch assembly (if equipped).
  - Disconnect the harness connectors.
2. Remove the pull handle cover.
  - Remove the screws behind pull handle cover.
3. Remove the cap from pull handle escutcheon and remove the screw.
4. Remove the pull handle escutcheon.

# DOOR FINISHER

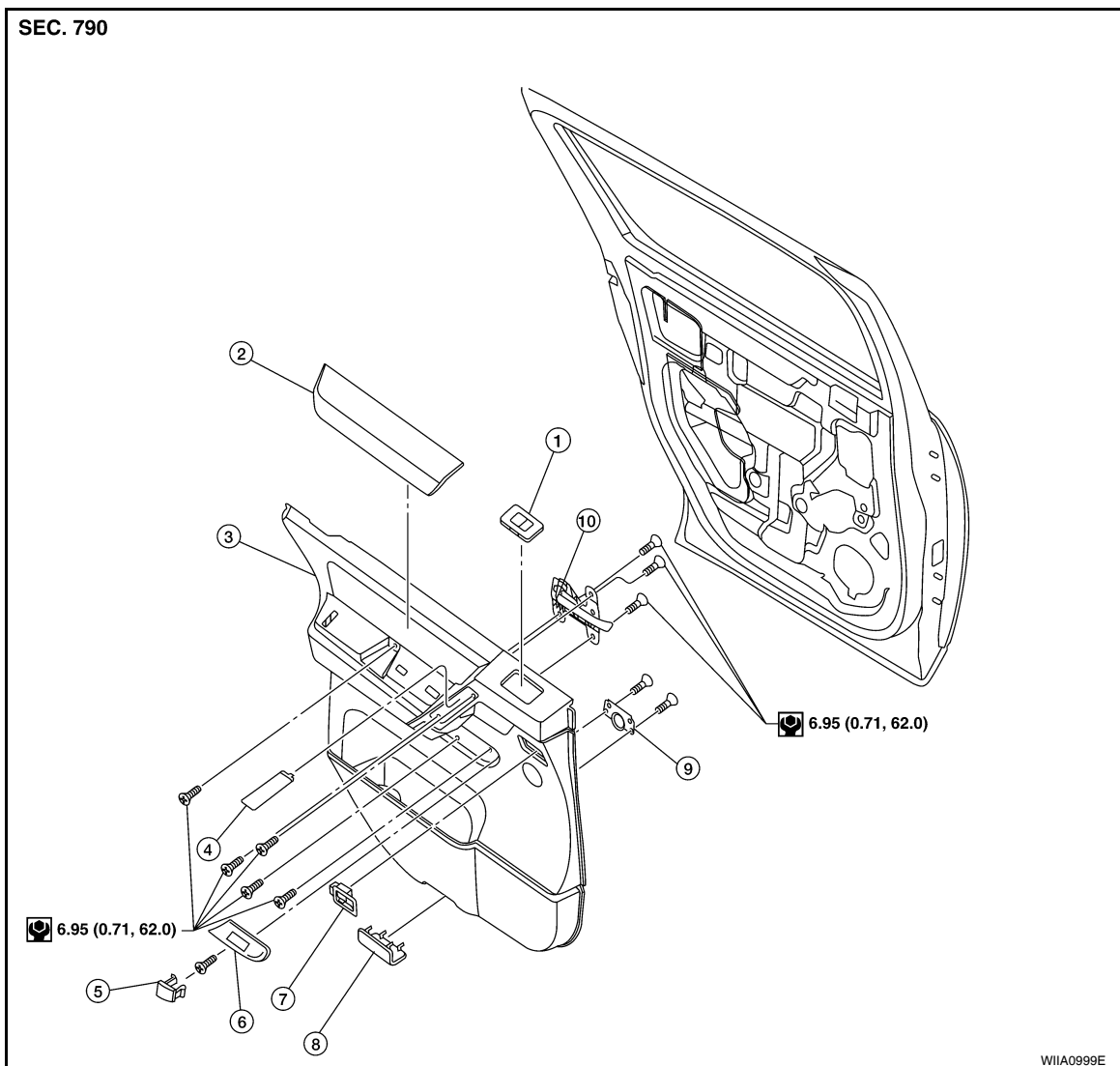
## < ON-VEHICLE REPAIR >

- Remove the screws behind pull handle escutcheon.
- 5. Remove the armrest.
  - Remove the screw behind armrest.
- 6. Remove the window crank handle, using a suitable tool (if equipped).
- 7. Remove the memory seat switch (if equipped).
  - Disconnect the harness connector.
- 8. Remove the step lamp.
  - Disconnect the harness connector.
- 9. Remove the door finisher and disconnect the lock cable and handle cable from the inside door handle assembly. Refer to [INT-10. "Removal and Installation"](#).
- 10. Remove the door lock knob.
- 11. Remove the inside door handle assembly screws and remove the inside door handle assembly.

### Installation

Installation is in the reverse order of removal.

### REAR DOOR - CREW CAB



- |                                 |                            |                           |
|---------------------------------|----------------------------|---------------------------|
| 1. Power window switch assembly | 2. Armrest                 | 3. Rear door finisher LH  |
| 4. Pull handle cover            | 5. Cap                     | 6. Pull handle escutcheon |
| 7. Door lock knob               | 8. Step lamp (if equipped) | 9. Rear door tweeter      |

### Removal

## DOOR FINISHER

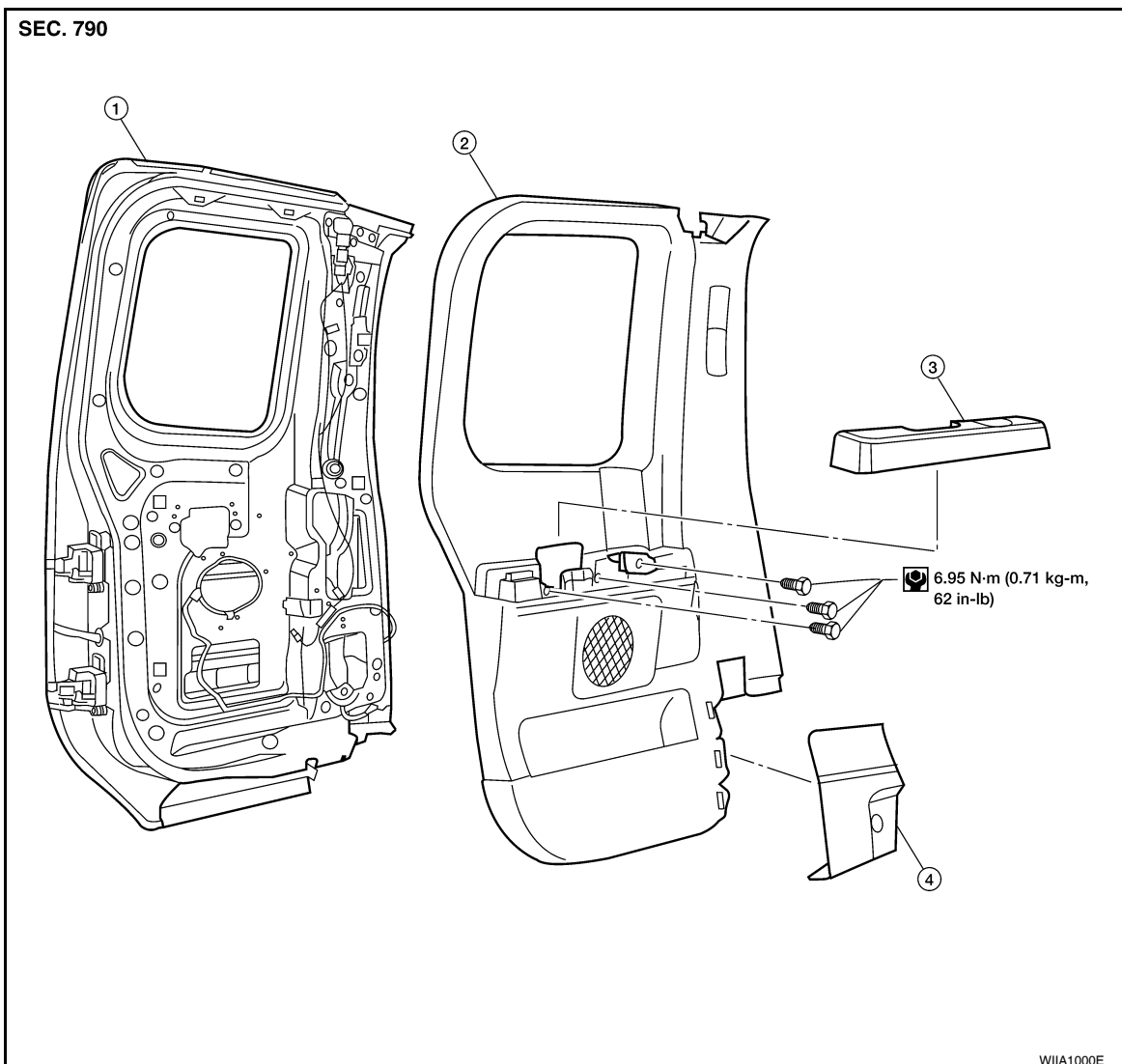
### < ON-VEHICLE REPAIR >

1. Remove the power window switch assembly.
  - Disconnect the harness connector.
2. Remove the pull handle cover.
  - Remove the screws behind pull handle cover.
3. Remove the cap from pull handle escutcheon and remove screw.
4. Remove the pull handle escutcheon.
  - Remove the screws behind pull handle escutcheon.
5. Remove the armrest.
  - Remove the screws behind armrest.
6. Remove the step lamp (if equipped).
  - Disconnect the harness connector.
7. Remove the door finisher and disconnect lock cable and handle cable from the door handle assembly.  
Refer to [INT-10. "Removal and Installation"](#).
  - Disconnect the rear door tweeter speaker connector.
8. Remove the door lock knob.
9. Remove the rear door tweeter speaker.

### Installation

Installation is in the reverse order of removal.

### REAR DOOR - KING CAB



# DOOR FINISHER

## < ON-VEHICLE REPAIR >

---

- |                              |                       |            |   |
|------------------------------|-----------------------|------------|---|
| 1. Rear door LH              | 2. Rear door finisher | 3. Armrest | A |
| 4. Seat belt retractor cover |                       |            |   |

### Removal

- |  |   |
|--|---|
| 1. Remove the upper and lower seat belt anchor bolts. Refer to <a href="#">SB-11, "Removal and Installation"</a> . | B |
| 2. Release the clips and remove seat belt retractor cover.   |   |
| 3. Remove the armrest.   | C |
| 4. Remove the screws behind armrest.   |   |
| 5. Release the clips and remove rear door finisher.  | D |

### Installation

Installation is in the reverse order of removal.

D

E

F

G

H

I

INT

K

L

M

N

O

P

# BODY SIDE TRIM

< ON-VEHICLE REPAIR >

## BODY SIDE TRIM

### Removal and Installation

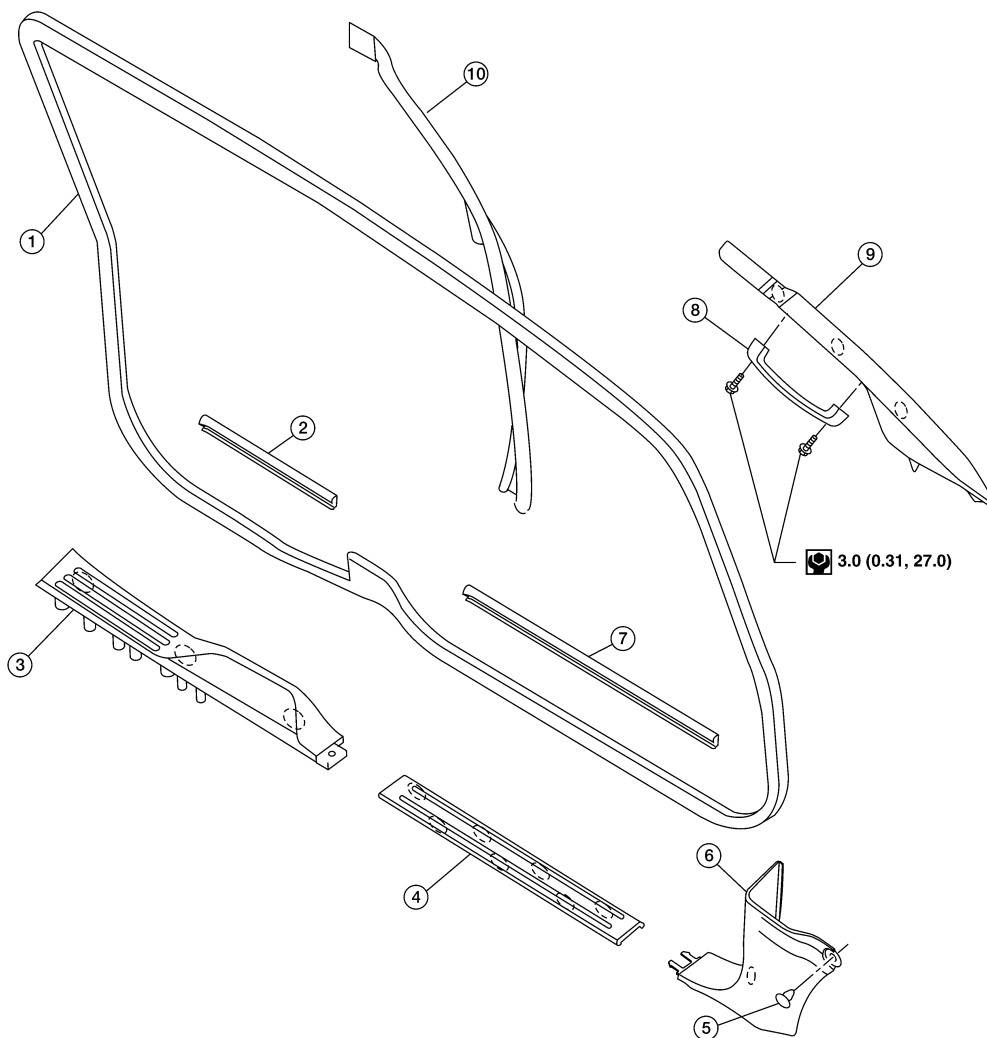
INFOID:000000003788351

#### KING CAB

##### CAUTION:

- Wrap the tip of flat-bladed screwdriver with a cloth when removing metal clips from finishers.
- When removing or installing body side welts, do not allow butyl seal to come in contact with pillar finisher.

SEC. 769



WIIA1001E

- |                            |                             |                             |
|----------------------------|-----------------------------|-----------------------------|
| 1. Door welt               | 2. Rear door parting seal   | 3. Rear kicking plate       |
| 4. Front kicking plate     | 5. Plastic clip C103        | 6. Lower dash side finisher |
| 7. Front door parting seal | 8. Front pillar assist grip | 9. Front pillar finisher    |
| 10. Rear body side welt    | ○ Pawl                      |                             |

#### CREW CAB

##### CAUTION:

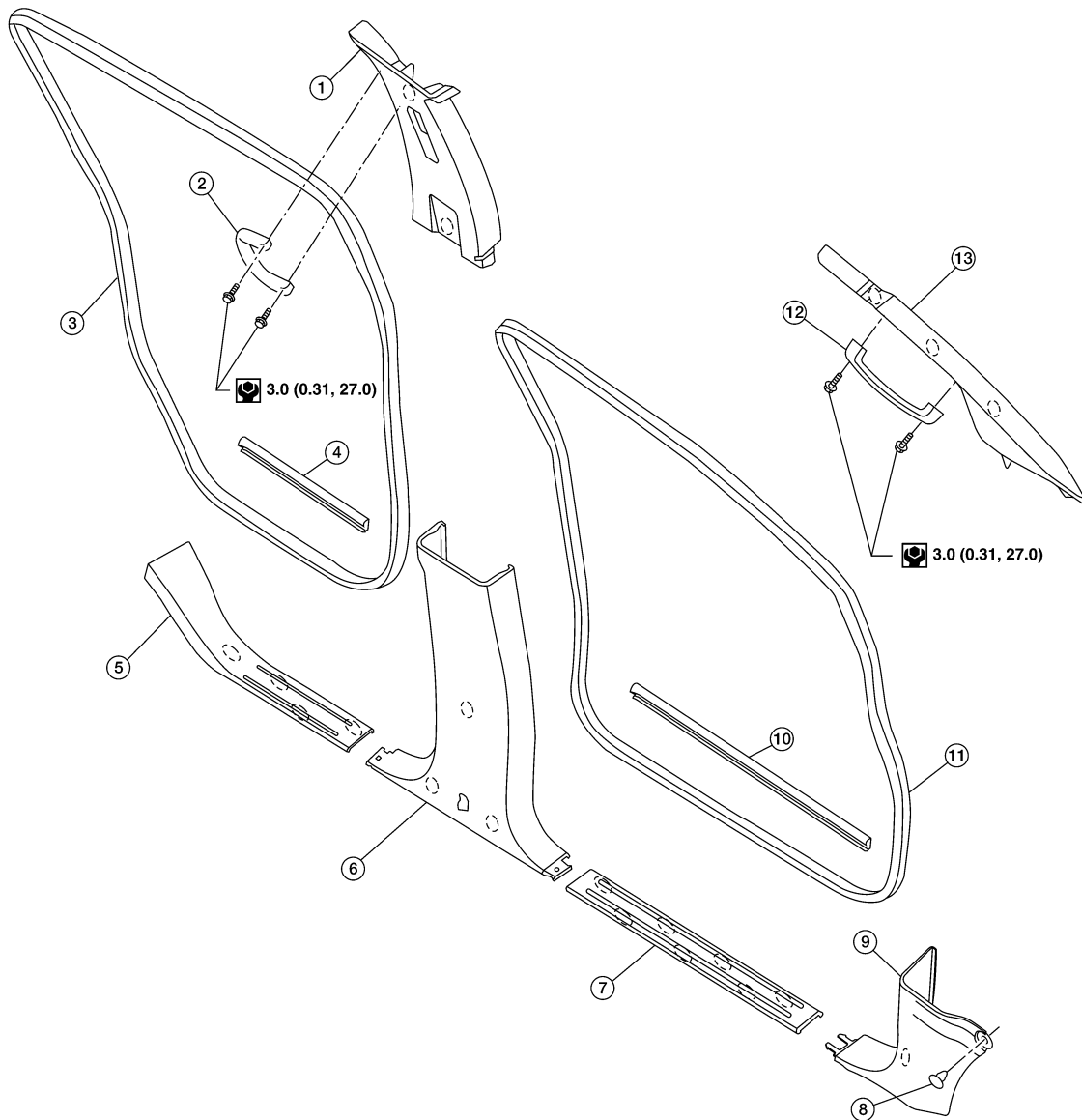
- Wrap the tip of flat-bladed screwdriver with a cloth when removing metal clips from finishers.

# BODY SIDE TRIM

## < ON-VEHICLE REPAIR >

- When removing or installing body side welts, do not allow butyl seal to come in contact with pillar finisher.

SEC. 769



- |                                 |                              |                                 |
|---------------------------------|------------------------------|---------------------------------|
| 1. Center pillar upper finisher | 2. Center pillar assist grip | 3. Rear door welt               |
| 4. Rear door parting seal       | 5. Rear kicking plate        | 6. Center pillar lower finisher |
| 7. Front kicking plate          | 8. Plastic clip C103         | 9. Lower dash side finisher     |
| 10. Front door parting seal     | 11. Front door welt          | 12. Front pillar assist grip    |
| 13. Front pillar finisher       | ○ Pawl                       |                                 |

## LOWER DASH SIDE FINISHER

### Removal

1. Remove the push pin from lower dash side finisher.
2. Remove the front kicking plate.
3. Remove the lower dash side finisher and front kicking plate together.
4. Remove the lower dash side finisher from front kicking plate.

### Installation

Installation is in the reverse order of removal.

A  
B  
C  
D  
E  
F  
G  
H  
I  
INT  
K  
L  
M  
O  
P

## BODY SIDE TRIM

### < ON-VEHICLE REPAIR >

---

#### CENTER PILLAR LOWER FINISHER

##### Removal

1. Remove the seat belt lower anchor. Refer to [SB-11, "Removal and Installation"](#).
  - On RH side, disconnect seat belt tension sensor.
2. Remove the front and rear kicking plates.
3. Remove the center pillar lower finisher.

##### Installation

Installation is in the reverse order of removal.

#### CENTER PILLAR UPPER FINISHER

##### Removal

1. Remove the front and rear door welts.
2. Remove the front and rear kicking plates.
3. Remove the center pillar lower finisher.
4. Remove the seat belt shoulder anchor and D ring. Refer to [SB-3, "Removal and Installation of Front Seat Belt"](#).
5. Remove the center pillar assist grip.
6. Remove the center pillar upper finisher.

##### Installation

Installation is in the reverse order of removal.

#### FRONT PILLAR FINISHER

##### Removal

1. Remove the front pillar assist grip.
2. Remove the front pillar finisher.

##### Installation

Installation is in the reverse order of removal.

#### KICKING PLATES

##### Removal

Release the clips and remove the front and/or rear kicking plates.

##### Installation

Installation is in the reverse order of removal.

#### DOOR PARTING SEALS

##### Removal

1. Open the front and/or rear doors fully.
2. Release the clips and remove the parting seals.

##### Installation

Installation is in the reverse order of removal.

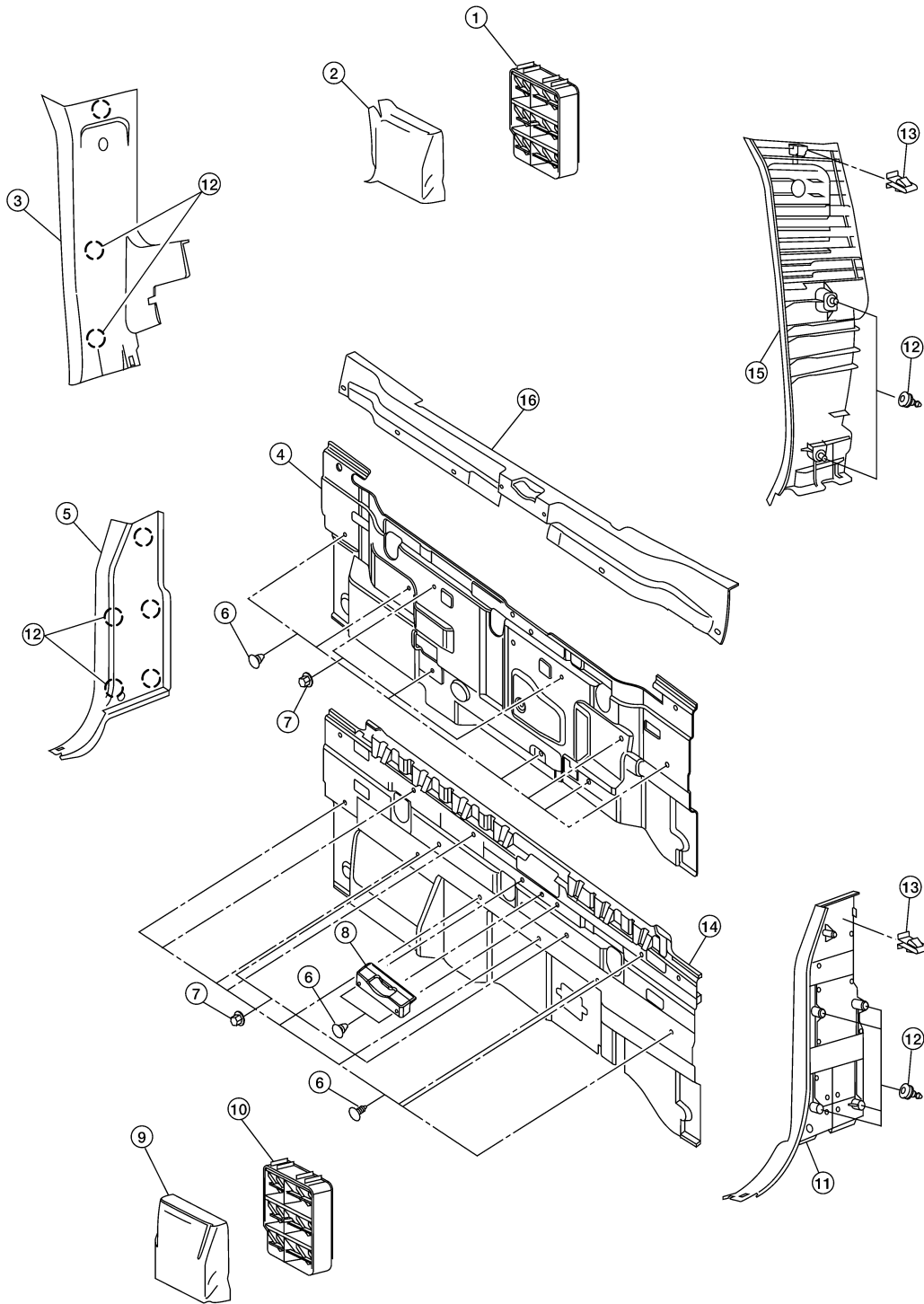
#### REAR



# BODY SIDE TRIM

< ON-VEHICLE REPAIR >

SEC. 769•799



- |                               |                                  |                                  |
|-------------------------------|----------------------------------|----------------------------------|
| 1. Drafter duct (Crew Cab)    | 2. Drafter duct cover (Crew Cab) | 3. Rear upper finisher RH        |
| 4. Rear panel (Crew Cab)      | 5. Rear lower finisher RH        | 6. Push pin                      |
| 7. Nut                        | 8. Center anchor bracket cover   | 9. Drafter duct cover (King Cab) |
| 10. Drafter duct (King Cab)   | 11. Rear lower finisher LH       | 12. Plastic clip C101            |
| 13. Metal clip                | 14. Rear panel (King Cab)        | 15. Rear upper finisher LH       |
| 16. Rear panel upper finisher |                                  |                                  |

WI1A1003E

A  
B  
C  
D  
E  
F  
G  
H  
I  
INT  
K  
L  
M  
N  
O  
P

## BODY SIDE TRIM

< ON-VEHICLE REPAIR >

---

**CAUTION:**

- **Wrap the tip of flat-bladed screwdriver with a cloth when removing metal clips from finishers.**

Removal

1. Remove rear seats. Refer to [SE-34, "Removal and Installation"](#).
2. Remove rear kicking plates.
3. Remove seat belt anchor bolts. Refer to [SB-11, "Removal and Installation"](#).
4. Remove seatback latch strikers. Refer to [SE-34, "Removal and Installation"](#).
5. Remove rear lower finishers LH/RH.
6. Remove rear upper finishers LH/RH.
7. Remove center anchor bracket cover, if equipped.
8. Remove rear panel upper finisher and rear panel.
9. Remove drafter duct cover and drafter duct.

Installation

Installation is in the reverse order of removal.

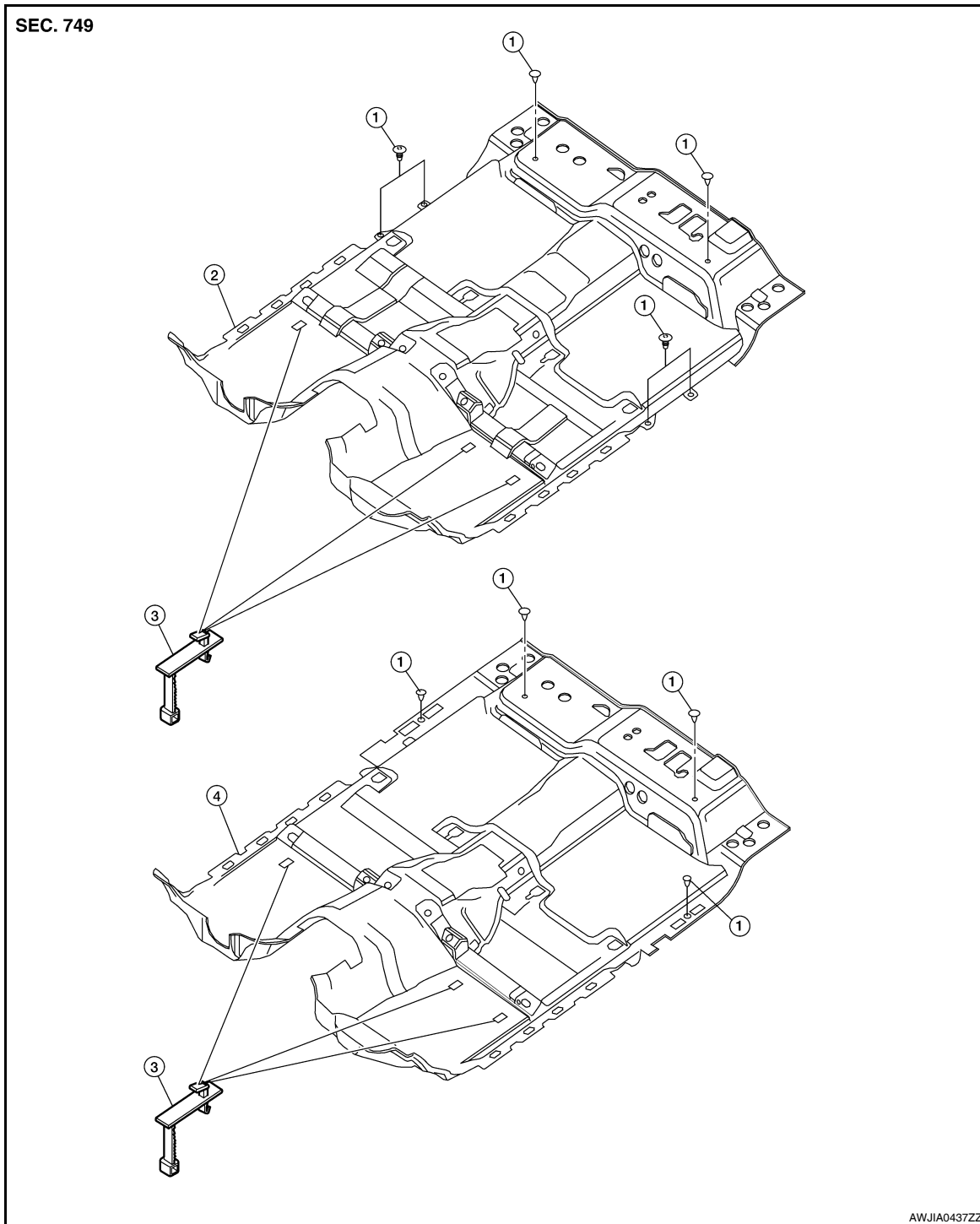
# FLOOR TRIM

< ON-VEHICLE REPAIR >

## FLOOR TRIM

### Removal and Installation

INFOID:000000003788352



- 1. Push pin
- 2. King Cab carpet
- 3. Floor mat hooks
- 4. Crew Cab carpet

### REMOVAL

1. Remove the front seats. Refer to [SE-31, "Removal and Installation"](#).
2. Remove the rear seats. Refer to [SE-34, "Removal and Installation"](#).
3. Remove the lower seat belt anchors. Refer to [SB-11, "Removal and Installation"](#).

A  
B  
C  
D  
E  
F  
G  
H  
I  
INT  
K  
L  
M  
N  
O  
P

## FLOOR TRIM

### < ON-VEHICLE REPAIR >

---

4. Remove the lower body side trim. Refer to [INT-14, "Removal and Installation"](#).
5. Remove the center console, if equipped. Refer to [IP-18, "Removal and Installation"](#).
6. Remove the floor mat hooks from front carpet.
7. Remove the carpet.

### INSTALLATION

Installation is in the reverse order of removal.

# HEADLINING

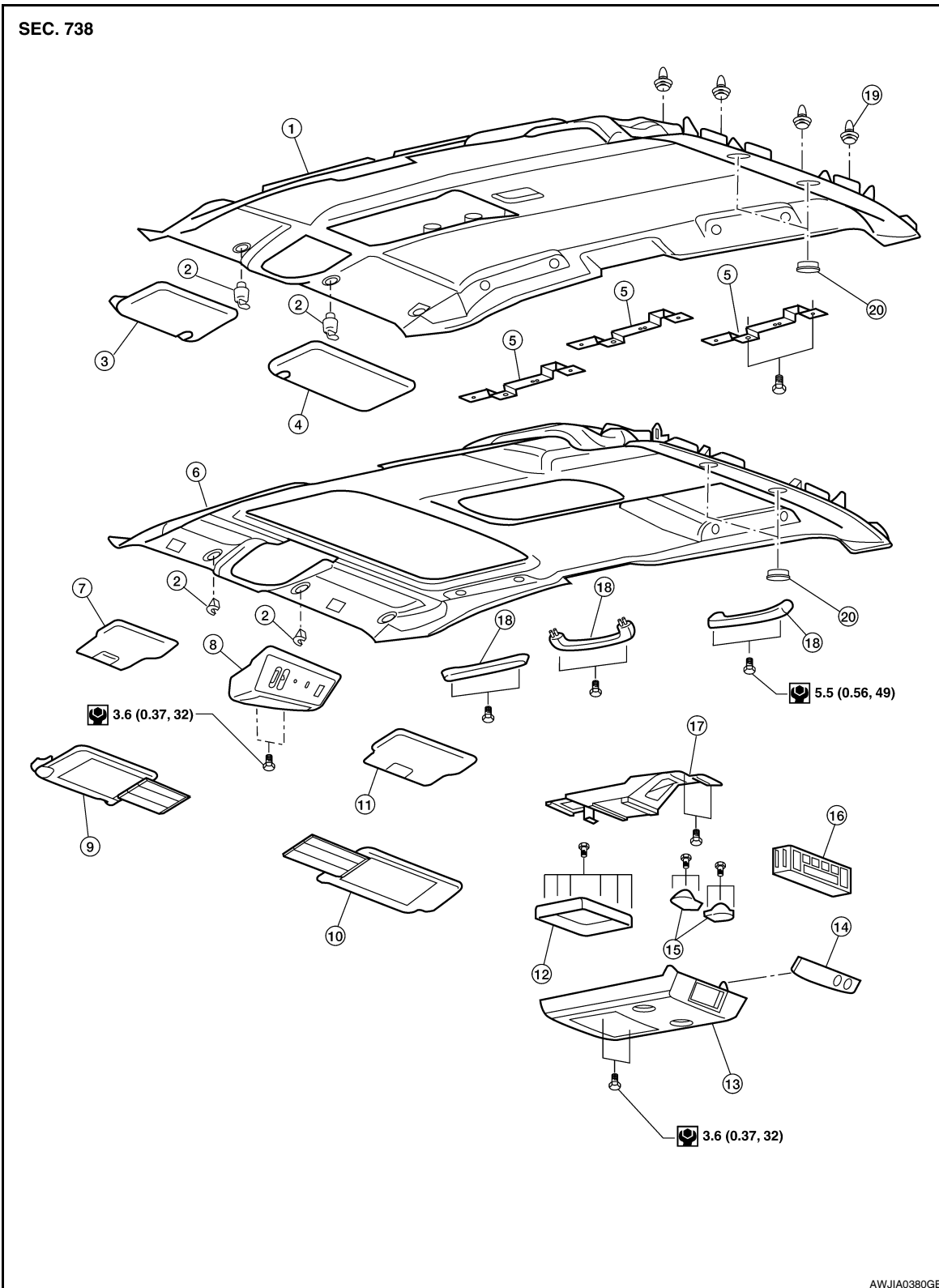
< ON-VEHICLE REPAIR >

## HEADLINING

### Removal and Installation

INFOID:000000003788353

#### Crew Cab



A  
B  
C  
D  
E  
F  
G  
H  
I  
INT  
K  
L  
M  
N  
O  
P

INT

- |                                  |                        |                                  |
|----------------------------------|------------------------|----------------------------------|
| 1. Headlining (without sunroof)  | 2. Sunvisor holder     | 3. Sunvisor assembly standard LH |
| 4. Sunvisor assembly standard RH | 5. Assist grip bracket | 6. Headlining (with sunroof)     |

## HEADLINING

### < ON-VEHICLE REPAIR >

---

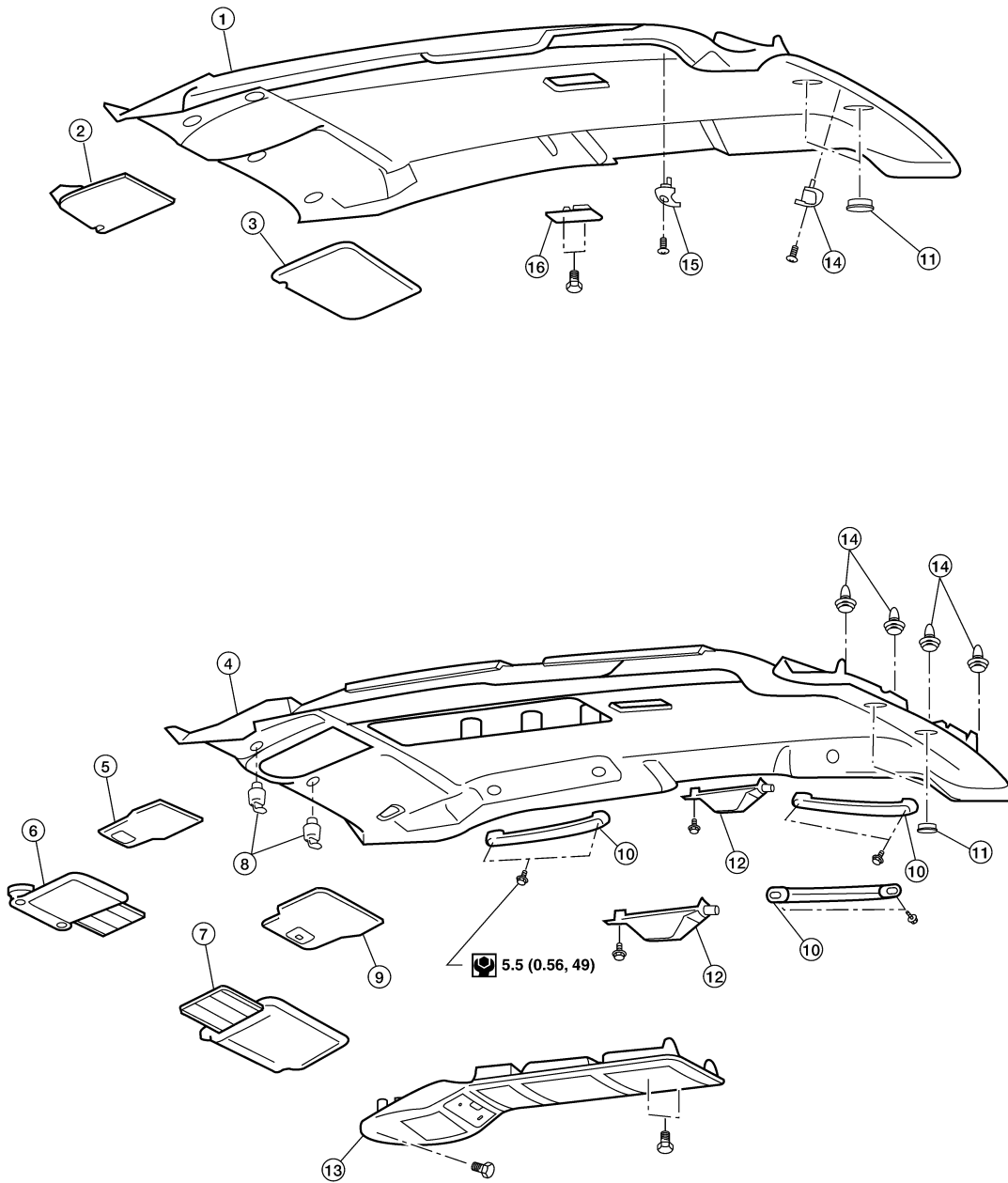
- |   |   |                                     |
|---|---|-------------------------------------|
| 7. Dual sun visor assembly LH (if equipped)   | 8. Front roof console                           | 9. Extended sun visor assembly LH   |
| 10. Extended sun visor assembly RH            | 11. Dual sun visor assembly RH (if equipped)    | 12. Rear storage bin or DVD display |
| 13. Rear roof console                         | 14. Rear roof console finisher                  | 15. Lamp assembly                   |
| 16. Rear audio control assembly (if equipped) | 17. Rear roof console bracket                   | 18. Assist grip                     |
| 19. Plastic clips                             | 20. High mounted stop lamp access cover (CHMSL) |                                     |

# HEADLINING

< ON-VEHICLE REPAIR >

King Cab

SEC. 738



A  
B  
C  
D  
E  
F  
G  
H  
I  
INT  
K  
L  
M  
N  
O  
P

INT

- |                                   |   |   |
|-----------------------------------|---|---|
| 1. Headlining (standard)          | 2. Sunvisor assembly standard LH                | 3. Sunvisor assembly standard RH            |
| 4. Headlining (optional)          | 5. Dual sun visor assembly LH (if equipped)     | 6. Extended sun visor assembly LH           |
| 7. Extended sun visor assembly RH | 8. Sunvisor holder                              | 9. Dual sun visor assembly RH (if equipped) |
| 10. Assist grip                   | 11. High mounted stop lamp access cover (CHMSL) | 12. Striker cover                           |

AWJIA0016ZZ

# HEADLINING

## < ON-VEHICLE REPAIR >

---

13. Center roof console

14. Plastic clip

15. Coat hook

16. Room lamp

### REMOVAL

#### **CAUTION:**

**Disconnect both terminals from battery in advance.**

1. Remove the body side trim. Refer to [INT-14](#).
2. Remove the rear trim. Refer to [INT-14](#).
3. Remove the sun visor assemblies.
4. Remove the sun visor holders.
5. Remove the front roof console (if equipped).
  - Disconnect the harnesses.
6. Remove the rear roof console (if equipped).
  - Disconnect the harnesses.
7. Remove the center roof console (if equipped).
  - Disconnect the harnesses.
8. Remove the assist grips.
9. Remove the striker covers (if equipped).
10. Remove the room lamp.
11. Remove the headlining.
  - Disconnect the harnesses.
12. Remove the rear audio control assembly from rear roof console (if equipped).
  - Disconnect the harness.
13. Remove the lamp assemblies from roof console.
  - Disconnect the harnesses.
14. Remove the rear roof console bracket (if equipped).
15. Remove the center roof console front bracket (if equipped).
16. Remove the assist grip brackets from roof (if equipped).

### INSTALLATION

Installation is in the reverse order of removal.