

SECTION **SE**
SEAT

A
B
C
D
E
F
G
H
I
SE
K
L
M
N
O
P

CONTENTS

COMPONENT DIAGNOSIS	2	PREPARATION	23
POWER SEAT	2	PREPARATION	23
Wiring Diagram — Driver Side Without Automatic		Special Service Tool	23
Drive Positioner —	2	Commercial Service Tool	23
Wiring Diagram — Passenger Side —	7	ON-VEHICLE REPAIR	24
HEATED SEAT	11	FRONT SEAT	24
Description	11	Exploded View	24
Wiring Diagram	12	Removal and Installation	28
SYMPTOM DIAGNOSIS	16	REAR SEAT	29
SQUEAK AND RATTLE TROUBLE DIAG- NOSES	16	Exploded View	29
Work Flow	16	Removal and Installation	31
Generic Squeak and Rattle Troubleshooting	18	DISASSEMBLY AND ASSEMBLY	32
Diagnostic Worksheet	20	FRONT SEAT	32
PRECAUTION	22	Exploded View	32
PRECAUTIONS	22	Disassembly and Assembly	36
Precaution for Supplemental Restraint System (SRS) "AIR BAG" and "SEAT BELT PRE-TEN- SIONER"	22	REAR SEAT	39
Precaution for Work	22	Exploded View	39

POWER SEAT

< COMPONENT DIAGNOSIS >

COMPONENT DIAGNOSIS

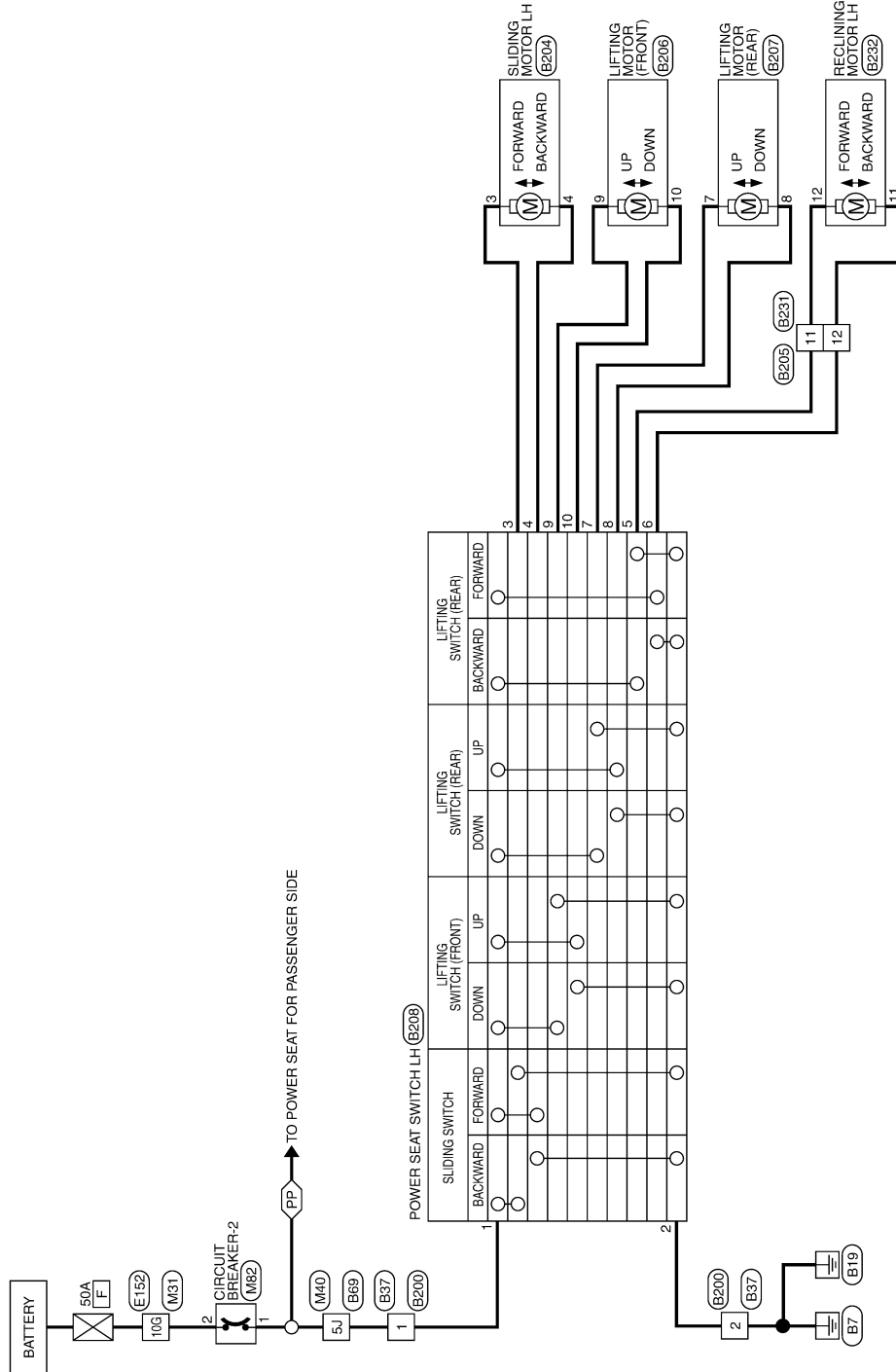
POWER SEAT

Wiring Diagram — Driver Side Without Automatic Drive Positioner —

INFOID:000000001683797

POWER SEAT FOR DRIVER SIDE - WITHOUT AUTOMATIC DRIVE POSITIONER

◁ PP ▷ : WITH FRONT PASSENGER POWER SEAT

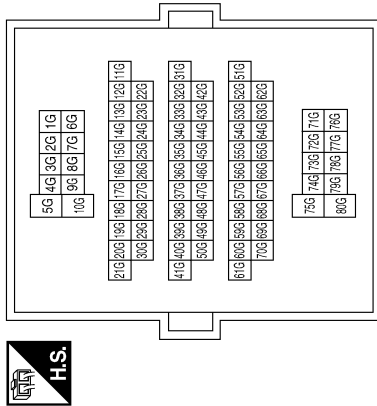


AWJWA0007GE

POWER SEAT FOR DRIVER SIDE CONNECTORS - WITHOUT AUTOMATIC DRIVE POSITIONER

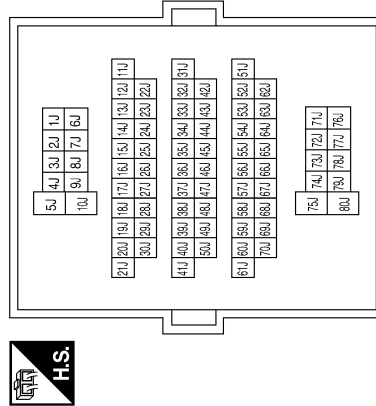
Connector No.	M31
Connector Name	WIRE TO WIRE
Connector Color	WHITE

Terminal No.	Color of Wire	Signal Name
10G	W/B	-



Connector No.	M40
Connector Name	WIRE TO WIRE
Connector Color	WHITE

Terminal No.	Color of Wire	Signal Name
5J	L/B	-



Connector No.	M82
Connector Name	CIRCUIT BREAKER-2
Connector Color	GRAY



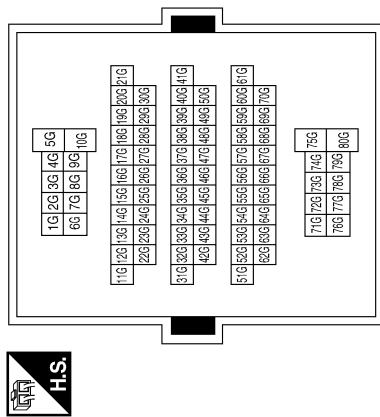
Terminal No.	Color of Wire	Signal Name
1	L/B	-
2	W/B	-

AWJIA0023GB

POWER SEAT

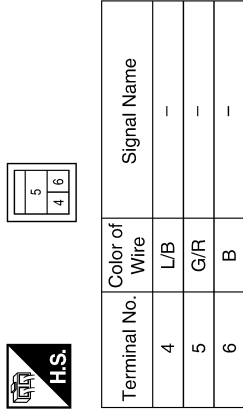
< COMPONENT DIAGNOSIS >

Connector No.	E152
Connector Name	WIRE TO WIRE
Connector Color	WHITE

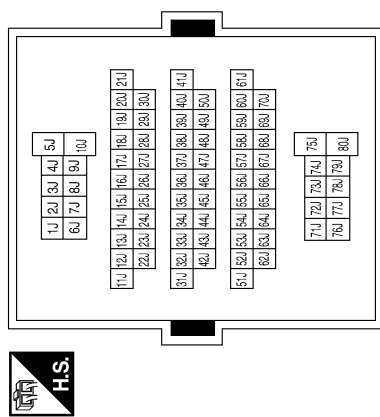


Terminal No.	Color of Wire	Signal Name
10G	W/B	-

Connector No.	B37
Connector Name	WIRE TO WIRE
Connector Color	WHITE

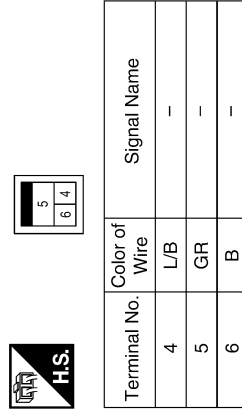


Connector No.	B69
Connector Name	WIRE TO WIRE
Connector Color	WHITE



Terminal No.	Color of Wire	Signal Name
5J	L/B	-

Connector No.	B200
Connector Name	WIRE TO WIRE
Connector Color	WHITE



POWER SEAT

< COMPONENT DIAGNOSIS >

Connector No.	B204
Connector Name	SLIDING MOTOR LH
Connector Color	BLACK



Terminal No.	Color of Wire	Signal Name
3	W	-
4	BR	-

Connector No.	B205
Connector Name	WIRE TO WIRE
Connector Color	BROWN



Terminal No.	Color of Wire	Signal Name
11	R/B	-
12	B/O	-

Connector No.	B206
Connector Name	LIFTING MOTOR (FRONT)
Connector Color	WHITE



Terminal No.	Color of Wire	Signal Name
9	W	-
10	G/R	-

Connector No.	B207
Connector Name	LIFTING MOTOR (REAR)
Connector Color	GRAY



Terminal No.	Color of Wire	Signal Name
7	L/R	-
8	B/W	-

Connector No.	B208
Connector Name	POWER SEAT SWITCH LH
Connector Color	WHITE



Terminal No.	Color of Wire	Signal Name
1	P/B	-
2	R/W	-

Terminal No.	Color of Wire	Signal Name
5	L/B	-
6	Y/B	-
7	R/B	-
8	G/W	-
9	O/B	-
10	G/B	-

AWJIA0025GB

POWER SEAT

< COMPONENT DIAGNOSIS >

Connector No.	B232
Connector Name	RECLINING MOTOR LH
Connector Color	BROWN



Terminal No.	Color of Wire	Signal Name
11	R/B	-
12	B/O	-

Connector No.	B231
Connector Name	WIRE TO WIRE
Connector Color	GRAY



Terminal No.	Color of Wire	Signal Name
11	B/O	-
12	R/B	-

AWJIA0026GB

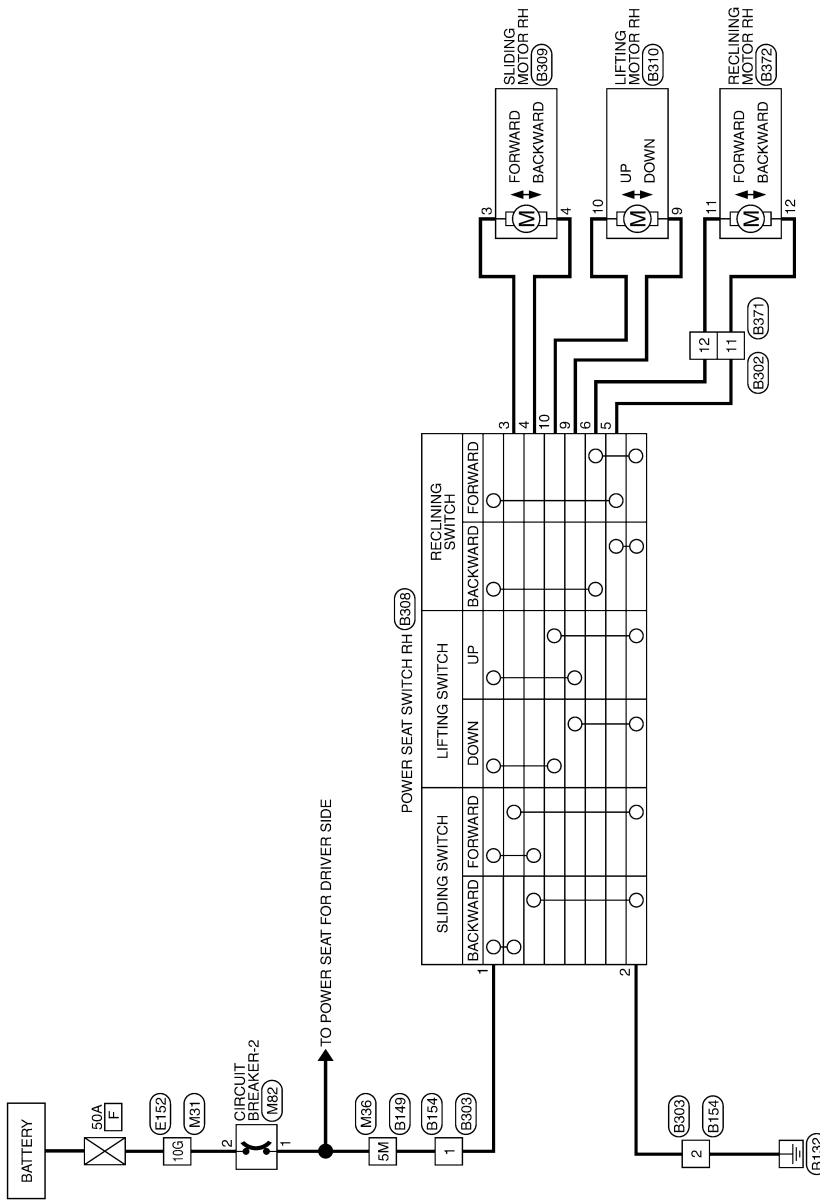
POWER SEAT

< COMPONENT DIAGNOSIS >

Wiring Diagram — Passenger Side —

INFOID:000000001683798

POWER SEAT FOR PASSENGER SIDE



A
B
C
D
E
F
G
H
I
SE
K
L
M
N
O
P

AWJWA0008GE

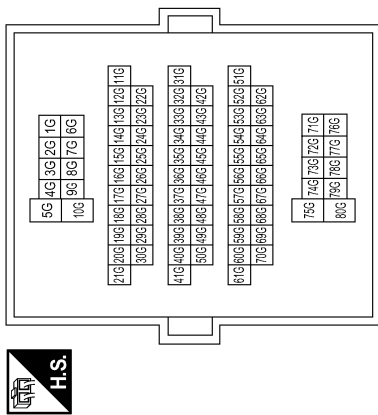
POWER SEAT

< COMPONENT DIAGNOSIS >

POWER SEAT FOR PASSENGER SIDE CONNECTORS

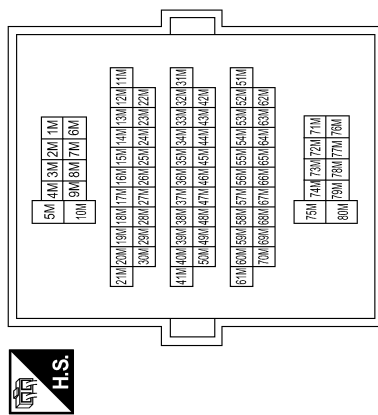
Connector No.	M31
Connector Name	WIRE TO WIRE
Connector Color	WHITE

Terminal No.	Color of Wire	Signal Name
10G	W/B	-



Connector No.	M36
Connector Name	WIRE TO WIRE
Connector Color	WHITE

Terminal No.	Color of Wire	Signal Name
5M	W/L	-



Connector No.	M82
Connector Name	CIRCUIT BREAKER-2
Connector Color	GRAY



Terminal No.	Color of Wire	Signal Name
1	L/B	-
2	W/B	-

POWER SEAT

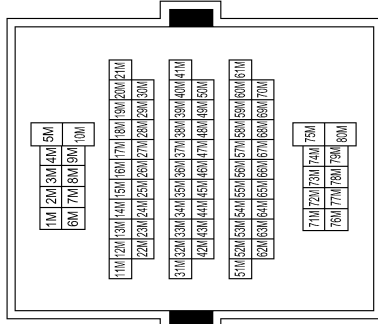
< COMPONENT DIAGNOSIS >

Connector No.	B154
Connector Name	WIRE TO WIRE
Connector Color	WHITE



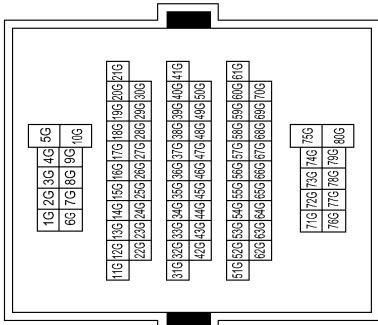
Terminal No.	Color of Wire	Signal Name
1	W/L	-
2	B	-

Connector No.	B149
Connector Name	WIRE TO WIRE
Connector Color	WHITE



Terminal No.	Color of Wire	Signal Name
5M	W/L	-

Connector No.	E152
Connector Name	WIRE TO WIRE
Connector Color	WHITE



Terminal No.	Color of Wire	Signal Name
10G	W/B	-

Connector No.	B303
Connector Name	WIRE TO WIRE
Connector Color	WHITE



Terminal No.	Color of Wire	Signal Name
1	W/L	-
2	B	-

Connector No.	B302
Connector Name	WIRE TO WIRE
Connector Color	WHITE



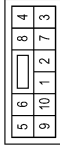
Terminal No.	Color of Wire	Signal Name
11	G	-
12	B/Y	-

AWJIA0028GB

POWER SEAT

< COMPONENT DIAGNOSIS >

Connector No.	B308
Connector Name	POWER SEAT SWITCH RH
Connector Color	WHITE



Terminal No.	Color of Wire	Signal Name
1	Y	-
2	R	-
3	W/B	-
4	BR	-
5	G	-
6	B/Y	-
9	W	-
10	GR	-

Connector No.	B309
Connector Name	SLIDING MOTOR RH
Connector Color	BLACK



Terminal No.	Color of Wire	Signal Name
3	W/B	-
4	BR	-

Connector No.	B310
Connector Name	LIFTING MOTOR RH
Connector Color	WHITE



Terminal No.	Color of Wire	Signal Name
9	W	-
10	GR	-

Connector No.	B371
Connector Name	WIRE TO WIRE
Connector Color	GRAY



Terminal No.	Color of Wire	Signal Name
11	B/O	-
12	R/B	-

Connector No.	B372
Connector Name	RECLINING MOTOR RH
Connector Color	WHITE



Terminal No.	Color of Wire	Signal Name
11	R/B	-
12	B/O	-

AWJIA0029GB

HEATED SEAT

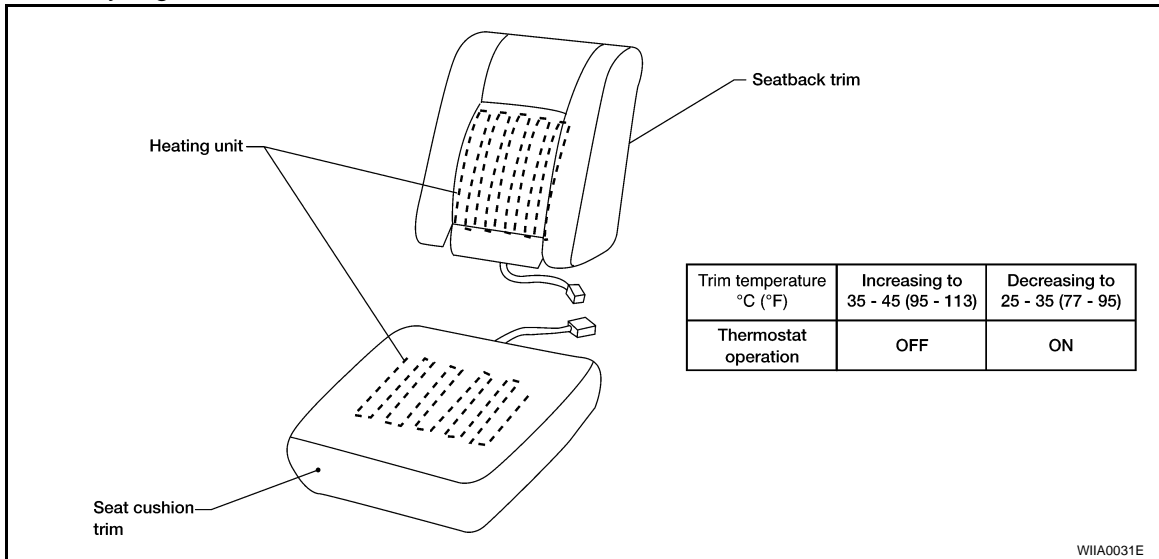
< COMPONENT DIAGNOSIS >

HEATED SEAT

Description

INFOID:000000001683801

- When handling seat, be extremely careful not to scratch heating unit.
- Front passenger seat cushion and seatbacks equipped with air bags cannot be disassembled. They are replaced as assemblies only.
- Do not use any organic solvent, such as thinner, benzene, alcohol, etc. to clean trim.



A
B
C
D
E
F
G
H
I
K
L
M
N
O
P

SE

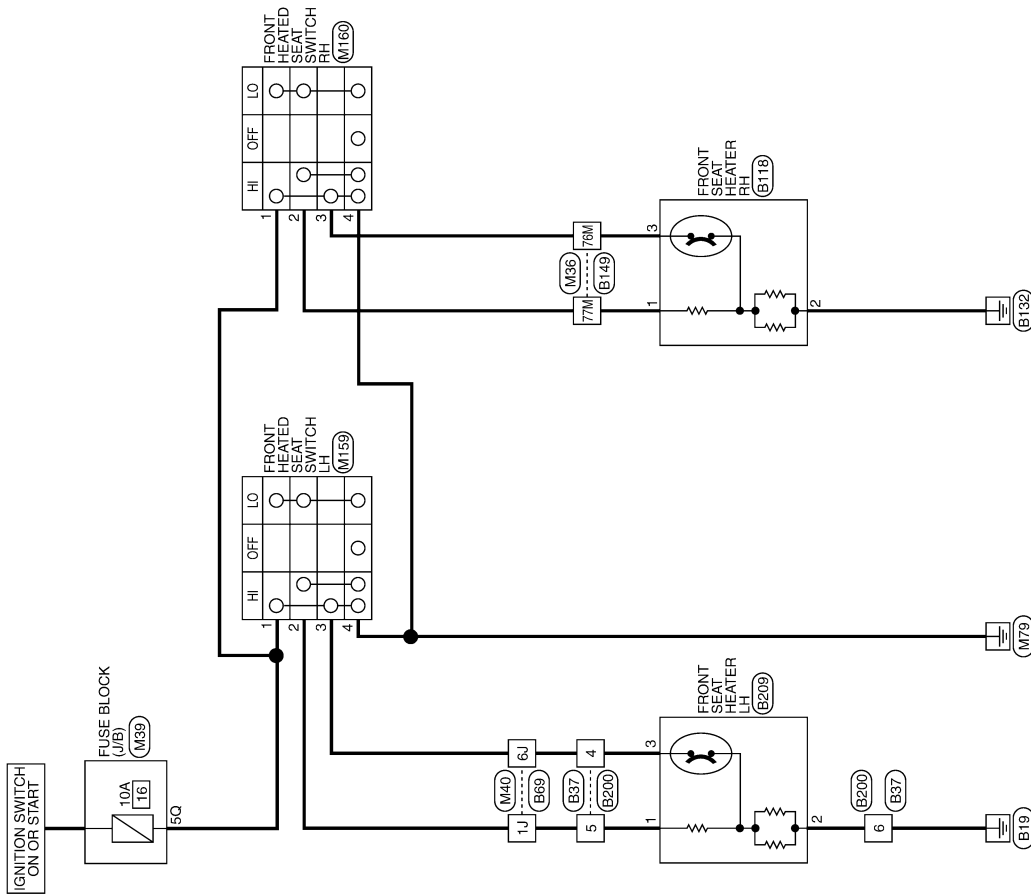
HEATED SEAT

< COMPONENT DIAGNOSIS >

Wiring Diagram

INFOID:000000001683800

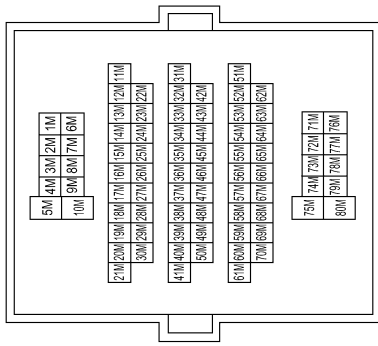
HEATED SEAT



AWJWA0009GE

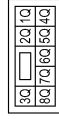
HEATED SEAT CONNECTORS

Connector No.	M36
Connector Name	WIRE TO WIRE
Connector Color	WHITE



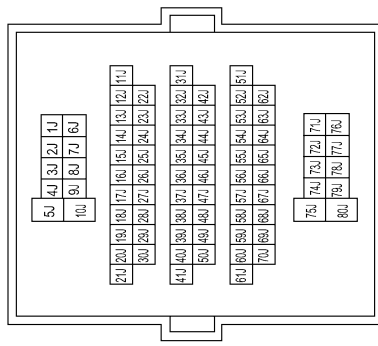
Terminal No.	Color of Wire	Signal Name
76M	GR/B	-
77M	GR/L	-

Connector No.	M39
Connector Name	FUSE BLOCK (J/B)
Connector Color	WHITE



Terminal No.	Color of Wire	Signal Name
5Q	G	-

Connector No.	M40
Connector Name	WIRE TO WIRE
Connector Color	WHITE



Terminal No.	Color of Wire	Signal Name
1J	GR	-
6J	L/B	-

AWJIA0030GB

HEATED SEAT

< COMPONENT DIAGNOSIS >

Connector No.	M159
Connector Name	FRONT HEATED SEAT SWITCH LH
Connector Color	WHITE



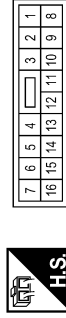
Terminal No.	Color of Wire	Signal Name
1	G	-
2	GR	-
3	L/B	-
4	B	-

Connector No.	M160
Connector Name	FRONT HEATED SEAT SWITCH RH
Connector Color	BROWN



Terminal No.	Color of Wire	Signal Name
1	G	-
2	GR/L	-
3	GR/B	-
4	B	-

Connector No.	B37
Connector Name	WIRE TO WIRE (WITH AUTOMATIC DRIVE POSITIONER)
Connector Color	WHITE



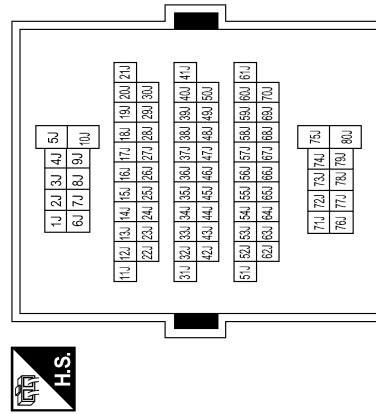
Terminal No.	Color of Wire	Signal Name
4	L/B	-
5	GR	-
6	B	-

Connector No.	B37
Connector Name	WIRE TO WIRE (WITHOUT AUTOMATIC DRIVE POSITIONER)
Connector Color	WHITE



Terminal No.	Color of Wire	Signal Name
4	L/B	-
5	GR	-
6	B	-

Connector No.	B69
Connector Name	WIRE TO WIRE
Connector Color	WHITE



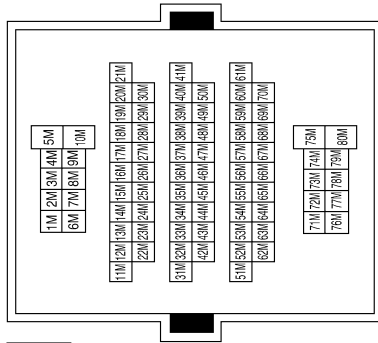
Terminal No.	Color of Wire	Signal Name
1J	GR	-
6J	L/B	-

HEATED SEAT

< COMPONENT DIAGNOSIS >

Terminal No.	Color of Wire	Signal Name
76M	GR/B	-
77M	GR/L	-

Connector No.	B149
Connector Name	WIRE TO WIRE
Connector Color	WHITE



Connector No.	B118
Connector Name	FRONT SEAT HEATER RH
Connector Color	WHITE



Terminal No.	Color of Wire	Signal Name
1	GR/L	-
2	B	-
3	GR/B	-

Connector No.	B209
Connector Name	FRONT SEAT HEATER LH
Connector Color	WHITE



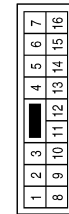
Terminal No.	Color of Wire	Signal Name
1	GR	-
2	L/B	-
3	B	-

Connector No.	B200
Connector Name	WIRE TO WIRE (WITHOUT AUTOMATIC DRIVE POSITIONER)
Connector Color	WHITE



Terminal No.	Color of Wire	Signal Name
4	L/B	-
5	GR	-
6	B	-

Connector No.	B200
Connector Name	WIRE TO WIRE (WITH AUTOMATIC DRIVE POSITIONER)
Connector Color	WHITE



Terminal No.	Color of Wire	Signal Name
4	L/B	-
5	GR	-
6	B	-

AWJIA0032GB

A
B
C
D
E
F
G
H
I
SE
K
L
M
N
O
P

SQUEAK AND RATTLE TROUBLE DIAGNOSES

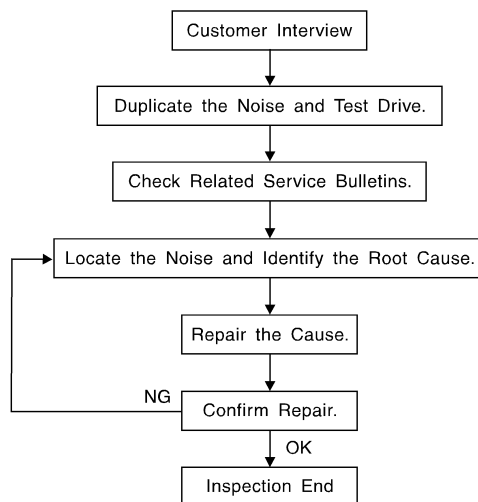
< SYMPTOM DIAGNOSIS >

SYMPTOM DIAGNOSIS

SQUEAK AND RATTLE TROUBLE DIAGNOSES

Work Flow

INFOID:000000001605992



SBT842

CUSTOMER INTERVIEW

Interview the customer if possible, to determine the conditions that exist when the noise occurs. Use the Diagnostic Worksheet during the interview to document the facts and conditions when the noise occurs and any customer's comments; refer to [SE-20. "Diagnostic Worksheet"](#). This information is necessary to duplicate the conditions that exist when the noise occurs.

- The customer may not be able to provide a detailed description or the location of the noise. Attempt to obtain all the facts and conditions that exist when the noise occurs (or does not occur).
- If there is more than one noise in the vehicle, be sure to diagnose and repair the noise that the customer is concerned about. This can be accomplished by test driving the vehicle with the customer.
- After identifying the type of noise, isolate the noise in terms of its characteristics. The noise characteristics are provided so the customer, service adviser and technician are all speaking the same language when defining the noise.
- Squeak —(Like tennis shoes on a clean floor)
Squeak characteristics include the light contact/fast movement/brought on by road conditions/hard surfaces = higher pitch noise/softer surfaces = lower pitch noises/edge to surface = chirping.
- Creak—(Like walking on an old wooden floor)
Creak characteristics include firm contact/slow movement/twisting with a rotational movement/pitch dependent on materials/often brought on by activity.
- Rattle—(Like shaking a baby rattle)
Rattle characteristics include the fast repeated contact/vibration or similar movement/loose parts/missing clip or fastener/incorrect clearance.
- Knock —(Like a knock on a door)
Knock characteristics include hollow sounding/sometimes repeating/often brought on by driver action.
- Tick—(Like a clock second hand)
Tick characteristics include gentle contacting of light materials/loose components/can be caused by driver action or road conditions.
- Thump—(Heavy, muffled knock noise)
Thump characteristics include softer knock/dead sound often brought on by activity.
- Buzz—(Like a bumble bee)
Buzz characteristics include high frequency rattle/firm contact.
- Often the degree of acceptable noise level will vary depending upon the person. A noise that you may judge as acceptable may be very irritating to the customer.
- Weather conditions, especially humidity and temperature, may have a great effect on noise level.

DUPLICATE THE NOISE AND TEST DRIVE

SQUEAK AND RATTLE TROUBLE DIAGNOSES

< SYMPTOM DIAGNOSIS >

If possible, drive the vehicle with the customer until the noise is duplicated. Note any additional information on the Diagnostic Worksheet regarding the conditions or location of the noise. This information can be used to duplicate the same conditions when you confirm the repair.

If the noise can be duplicated easily during the test drive, to help identify the source of the noise, try to duplicate the noise with the vehicle stopped by doing one or all of the following:

- 1) Close a door.
 - 2) Tap or push/pull around the area where the noise appears to be coming from.
 - 3) Rev the engine.
 - 4) Use a floor jack to recreate vehicle "twist".
 - 5) At idle, apply engine load (electrical load, half-clutch on M/T model, drive position on A/T model).
 - 6) Raise the vehicle on a hoist and hit a tire with a rubber hammer.
- Drive the vehicle and attempt to duplicate the conditions the customer states exist when the noise occurs.
 - If it is difficult to duplicate the noise, drive the vehicle slowly on an undulating or rough road to stress the vehicle body.

CHECK RELATED SERVICE BULLETINS

After verifying the customer concern or symptom, check ASIST for Technical Service Bulletins (TSBs) related to that concern or symptom.

If a TSB relates to the symptom, follow the procedure to repair the noise.

LOCATE THE NOISE AND IDENTIFY THE ROOT CAUSE

1. Narrow down the noise to a general area. To help pinpoint the source of the noise, use a listening tool (Chassis Ear: J-39570, Engine Ear: J-39565 and mechanic's stethoscope).
2. Narrow down the noise to a more specific area and identify the cause of the noise by:
 - removing the components in the area that you suspect the noise is coming from.
Do not use too much force when removing clips and fasteners, otherwise clips and fasteners can be broken or lost during the repair, resulting in the creation of new noise.
 - tapping or pushing/pulling the component that you suspect is causing the noise.
Do not tap or push/pull the component with excessive force, otherwise the noise will be eliminated only temporarily.
 - feeling for a vibration with your hand by touching the component(s) that you suspect is (are) causing the noise.
 - placing a piece of paper between components that you suspect are causing the noise.
 - looking for loose components and contact marks.
Refer to [SE-18. "Generic Squeak and Rattle Troubleshooting"](#).

REPAIR THE CAUSE

- If the cause is a loose component, tighten the component securely.
- If the cause is insufficient clearance between components:
 - separate components by repositioning or loosening and retightening the component, if possible.
 - insulate components with a suitable insulator such as urethane pads, foam blocks, felt cloth tape or urethane tape. A NISSAN Squeak and Rattle Kit (J-43980) is available through your authorized NISSAN Parts Department.

CAUTION:

Do not use excessive force as many components are constructed of plastic and may be damaged.

Always check with the Parts Department for the latest parts information.

The following materials are contained in the NISSAN Squeak and Rattle Kit (J-43980). Each item can be ordered separately as needed.

URETHANE PADS [1.5 mm (0.059 in) thick]

Insulates connectors, harness, etc.

76268-9E005: 100×135 mm (3.94×5.31 in)/76884-71L01: 60×85 mm (2.36×3.35 in)/76884-71L02: 15×25 mm (0.59×0.98 in)

INSULATOR (Foam blocks)

Insulates components from contact. Can be used to fill space behind a panel.

73982-9E000: 45 mm (1.77 in) thick, 50×50 mm (1.97×1.97 in)/73982-50Y00: 10 mm (0.39 in) thick, 50×50 mm (1.97×1.97 in)

INSULATOR (Light foam block)

80845-71L00: 30 mm (1.18 in) thick, 30×50 mm (1.18×1.97 in)

FELT CLOTH TAPE

Used to insulate where movement does not occur. Ideal for instrument panel applications.

SQUEAK AND RATTLE TROUBLE DIAGNOSES

< SYMPTOM DIAGNOSIS >

68370-4B000: 15×25 mm (0.59×0.98 in) pad/68239-13E00: 5 mm (0.20 in) wide tape roll. The following materials not found in the kit can also be used to repair squeaks and rattles.

UHMW (TEFLON) TAPE

Insulates where slight movement is present. Ideal for instrument panel applications.

SILICONE GREASE

Used instead of UHMW tape that will be visible or not fit.

Note: Will only last a few months.

SILICONE SPRAY

Use when grease cannot be applied.

DUCT TAPE

Use to eliminate movement.

CONFIRM THE REPAIR

Confirm that the cause of a noise is repaired by test driving the vehicle. Operate the vehicle under the same conditions as when the noise originally occurred. Refer to the notes on the Diagnostic Worksheet.

Generic Squeak and Rattle Troubleshooting

INFOID:000000001605993

Refer to Table of Contents for specific component removal and installation information.

INSTRUMENT PANEL

Most incidents are caused by contact and movement between:

1. The cluster lid A and instrument panel
2. Acrylic lens and combination meter housing
3. Instrument panel to front pillar garnish
4. Instrument panel to windshield
5. Instrument panel mounting pins
6. Wiring harnesses behind the combination meter
7. A/C defroster duct and duct joint

These incidents can usually be located by tapping or moving the components to duplicate the noise or by pressing on the components while driving to stop the noise. Most of these incidents can be repaired by applying felt cloth tape or silicone spray (in hard to reach areas). Urethane pads can be used to insulate wiring harness.

CAUTION:

Do not use silicone spray to isolate a squeak or rattle. If you saturate the area with silicone, you will not be able to recheck the repair.

CENTER CONSOLE

Components to pay attention to include:

1. Shifter assembly cover to finisher
2. A/C control unit and cluster lid C
3. Wiring harnesses behind audio and A/C control unit

The instrument panel repair and isolation procedures also apply to the center console.

DOORS

Pay attention to the:

1. Finisher and inner panel making a slapping noise
2. Inside handle escutcheon to door finisher
3. Wiring harnesses tapping
4. Door striker out of alignment causing a popping noise on starts and stops

Tapping or moving the components or pressing on them while driving to duplicate the conditions can isolate many of these incidents. You can usually insulate the areas with felt cloth tape or insulator foam blocks from the NISSAN Squeak and Rattle Kit (J-43980) to repair the noise.

TRUNK

Trunk noises are often caused by a loose jack or loose items put into the trunk by the owner.

In addition look for:

1. Trunk lid bumpers out of adjustment

SQUEAK AND RATTLE TROUBLE DIAGNOSES

< SYMPTOM DIAGNOSIS >

2. Trunk lid striker out of adjustment
3. The trunk lid torsion bars knocking together
4. A loose license plate or bracket

Most of these incidents can be repaired by adjusting, securing or insulating the item(s) or component(s) causing the noise.

SUNROOF/HEADLINING

Noises in the sunroof/headlining area can often be traced to one of the following:

1. Sunroof lid, rail, linkage or seals making a rattle or light knocking noise
2. Sun visor shaft shaking in the holder
3. Front or rear windshield touching headliner and squeaking

Again, pressing on the components to stop the noise while duplicating the conditions can isolate most of these incidents. Repairs usually consist of insulating with felt cloth tape.

OVERHEAD CONSOLE (FRONT AND REAR)

Overhead console noises are often caused by the console panel clips not being engaged correctly. Most of these incidents are repaired by pushing up on the console at the clip locations until the clips engage.

In addition look for:

1. Loose harness or harness connectors.
2. Front console map/reading lamp lense loose.
3. Loose screws at console attachment points.

SEATS

When isolating seat noise it's important to note the position the seat is in and the load placed on the seat when the noise is present. These conditions should be duplicated when verifying and isolating the cause of the noise.

Cause of seat noise include:

1. Headrest rods and holder
2. A squeak between the seat pad cushion and frame
3. The rear seatback lock and bracket

These noises can be isolated by moving or pressing on the suspected components while duplicating the conditions under which the noise occurs. Most of these incidents can be repaired by repositioning the component or applying urethane tape to the contact area.

UNDERHOOD

Some interior noise may be caused by components under the hood or on the engine wall. The noise is then transmitted into the passenger compartment.

Causes of transmitted underhood noise include:

1. Any component mounted to the engine wall
2. Components that pass through the engine wall
3. Engine wall mounts and connectors
4. Loose radiator mounting pins
5. Hood bumpers out of adjustment
6. Hood striker out of adjustment

These noises can be difficult to isolate since they cannot be reached from the interior of the vehicle. The best method is to secure, move or insulate one component at a time and test drive the vehicle. Also, engine RPM or load can be changed to isolate the noise. Repairs can usually be made by moving, adjusting, securing, or insulating the component causing the noise.

A
B
C
D
E
F
G
H
I
K
L
M
N
O
P

SE

SQUEAK AND RATTLE TROUBLE DIAGNOSES

< SYMPTOM DIAGNOSIS >

Diagnostic Worksheet

INFOID:000000001605994

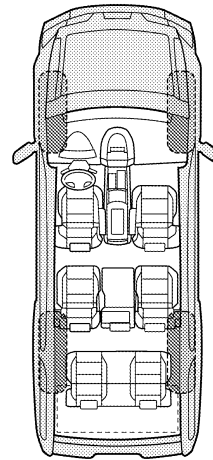
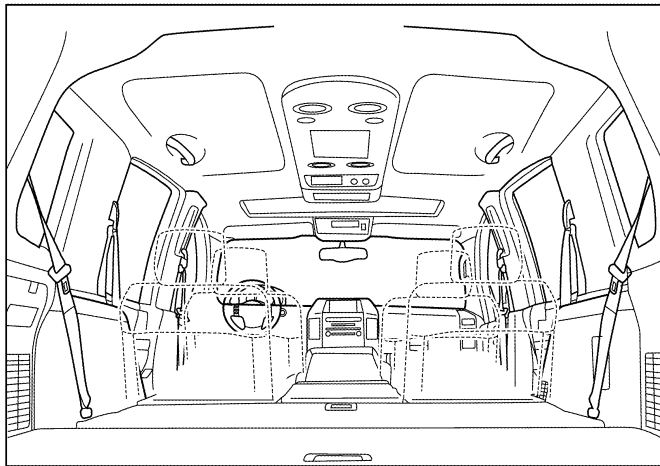
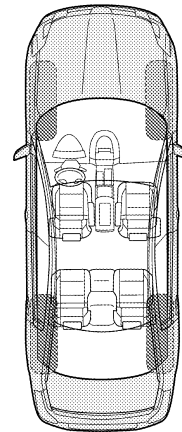
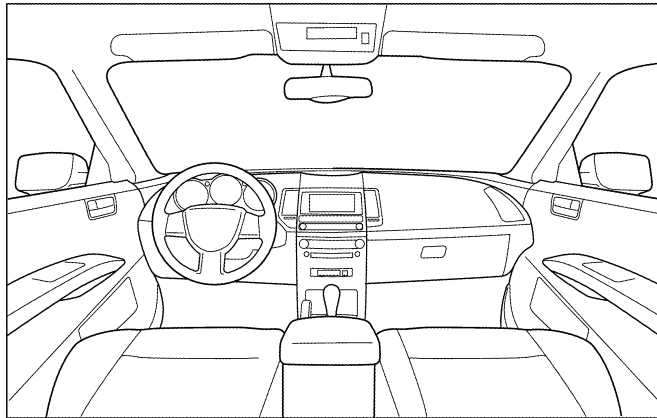
Dear Customer:

We are concerned about your satisfaction with your vehicle. Repairing a squeak or rattle sometimes can be very difficult. To help us fix your vehicle right the first time, please take a moment to note the area of the vehicle where the squeak or rattle occurs and under what conditions. You may be asked to take a test drive with a service advisor or technician to ensure we confirm the noise you are hearing.

SQUEAK & RATTLE DIAGNOSTIC WORKSHEET

I. WHERE DOES THE NOISE COME FROM? (circle the area of the vehicle)

The illustrations are for reference only, and may not reflect the actual configuration of your vehicle.



Continue to page 2 of the worksheet and briefly describe the location of the noise or rattle. In addition, please indicate the conditions which are present when the noise occurs.

SQUEAK AND RATTLE TROUBLE DIAGNOSES

< SYMPTOM DIAGNOSIS >

SQUEAK & RATTLE DIAGNOSTIC WORKSHEET - page 2

Briefly describe the location where the noise occurs:

II. WHEN DOES IT OCCUR? (please check the boxes that apply)

- | | |
|-------------------------------------------------------|--------------------------------------------------------|
| <input type="checkbox"/> Anytime | <input type="checkbox"/> After sitting out in the rain |
| <input type="checkbox"/> 1st time in the morning | <input type="checkbox"/> When it is raining or wet |
| <input type="checkbox"/> Only when it is cold outside | <input type="checkbox"/> Dry or dusty conditions |
| <input type="checkbox"/> Only when it is hot outside | <input type="checkbox"/> Other: |

III. WHEN DRIVING:

- Through driveways
- Over rough roads
- Over speed bumps
- Only about ____ mph
- On acceleration
- Coming to a stop
- On turns: left, right or either (circle)
- With passengers or cargo
- Other: _____
- After driving ____ miles or ____ minutes

IV. WHAT TYPE OF NOISE

- Squeak (like tennis shoes on a clean floor)
- Creak (like walking on an old wooden floor)
- Rattle (like shaking a baby rattle)
- Knock (like a knock at the door)
- Tick (like a clock second hand)
- Thump (heavy muffled knock noise)
- Buzz (like a bumble bee)

TO BE COMPLETED BY DEALERSHIP PERSONNEL

Test Drive Notes:

	YES	NO	Initials of person performing
Vehicle test driven with customer	<input type="checkbox"/>	<input type="checkbox"/>	_____
- Noise verified on test drive	<input type="checkbox"/>	<input type="checkbox"/>	_____
- Noise source located and repaired	<input type="checkbox"/>	<input type="checkbox"/>	_____
- Follow up test drive performed to confirm repair	<input type="checkbox"/>	<input type="checkbox"/>	_____

VIN: _____ Customer Name _____

W.O.# _____ Date: _____

This form must be attached to Work Order

LAI0071E

A
B
C
D
E
F
G
H
I
SE
K
L
M
N
O
P

PRECAUTIONS

< PRECAUTION >

PRECAUTION

PRECAUTIONS

Precaution for Supplemental Restraint System (SRS) "AIR BAG" and "SEAT BELT PRE-TENSIONER"

INFOID:000000001605988

The Supplemental Restraint System such as "AIR BAG" and "SEAT BELT PRE-TENSIONER", used along with a front seat belt, helps to reduce the risk or severity of injury to the driver and front passenger for certain types of collision. This system includes seat belt switch inputs and dual stage front air bag modules. The SRS system uses the seat belt switches to determine the front air bag deployment, and may only deploy one front air bag, depending on the severity of a collision and whether the front occupants are belted or unbelted. Information necessary to service the system safely is included in the SR and SB section of this Service Manual.

WARNING:

- **To avoid rendering the SRS inoperative, which could increase the risk of personal injury or death in the event of a collision which would result in air bag inflation, all maintenance must be performed by an authorized NISSAN/INFINITI dealer.**
- **Improper maintenance, including incorrect removal and installation of the SRS, can lead to personal injury caused by unintentional activation of the system. For removal of Spiral Cable and Air Bag Module, see the SR section.**
- **Do not use electrical test equipment on any circuit related to the SRS unless instructed to in this Service Manual. SRS wiring harnesses can be identified by yellow and/or orange harnesses or harness connectors.**

Precaution for Work

INFOID:000000001605989

- When removing or disassembling each component, be careful not to damage or deform it. If a component may be subject to interference, be sure to protect it with a shop cloth.
- When removing (disengaging) components with a screwdriver or similar tool, be sure to wrap the component with a shop cloth or vinyl tape to protect it.
- Protect the removed parts with a shop cloth and keep them.
- Replace a deformed or damaged clip.
- If a part is specified as a non-reusable part, always replace it with new one.
- Be sure to tighten bolts and nuts securely to the specified torque.
- After re-installation is completed, be sure to check that each part works normally.
- Follow the steps below to clean components.
 - Water soluble foul: Dip a soft cloth into lukewarm water, and wring the water out of the cloth to wipe the fouled area.
Then rub with a soft and dry cloth.
 - Oily foul: Dip a soft cloth into lukewarm water with mild detergent (concentration: within 2 to 3%), and wipe the fouled area.
Then dip a cloth into fresh water, and wring the water out of the cloth to wipe the detergent off. Then rub with a soft and dry cloth.
- Do not use organic solvent such as thinner, benzene, alcohol, or gasoline.
- For genuine leather seats, use a genuine leather seat cleaner.

PREPARATION

< PREPARATION >

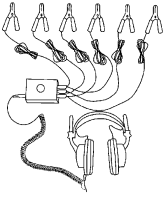

PREPARATION

PREPARATION

Special Service Tool

INFOID:000000001605990

The actual shapes of Kent-Moore tools may differ from those of special service tools illustrated here.

Tool number (Kent-Moore No.) Tool name	Description
<p>— (J-39570) Chassis ear</p>  <p>SIA0993E</p>	<p>Locating the noise</p>
<p>— (J-43980) NISSAN Squeak and Rattle Kit</p>  <p>SIA0994E</p>	<p>Repairing the cause of noise</p>

A

B

C

D

E

F

G

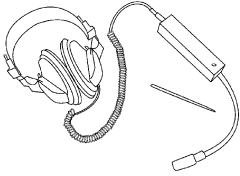
H

I

SE

Commercial Service Tool

INFOID:000000001605991

(Kent-Moore No.) Tool name	Description
<p>(J-39565) Engine ear</p>  <p>SIA0995E</p>	<p>Locating the noise</p>

K

L

M

N

O

P

FRONT SEAT

< ON-VEHICLE REPAIR >

ON-VEHICLE REPAIR

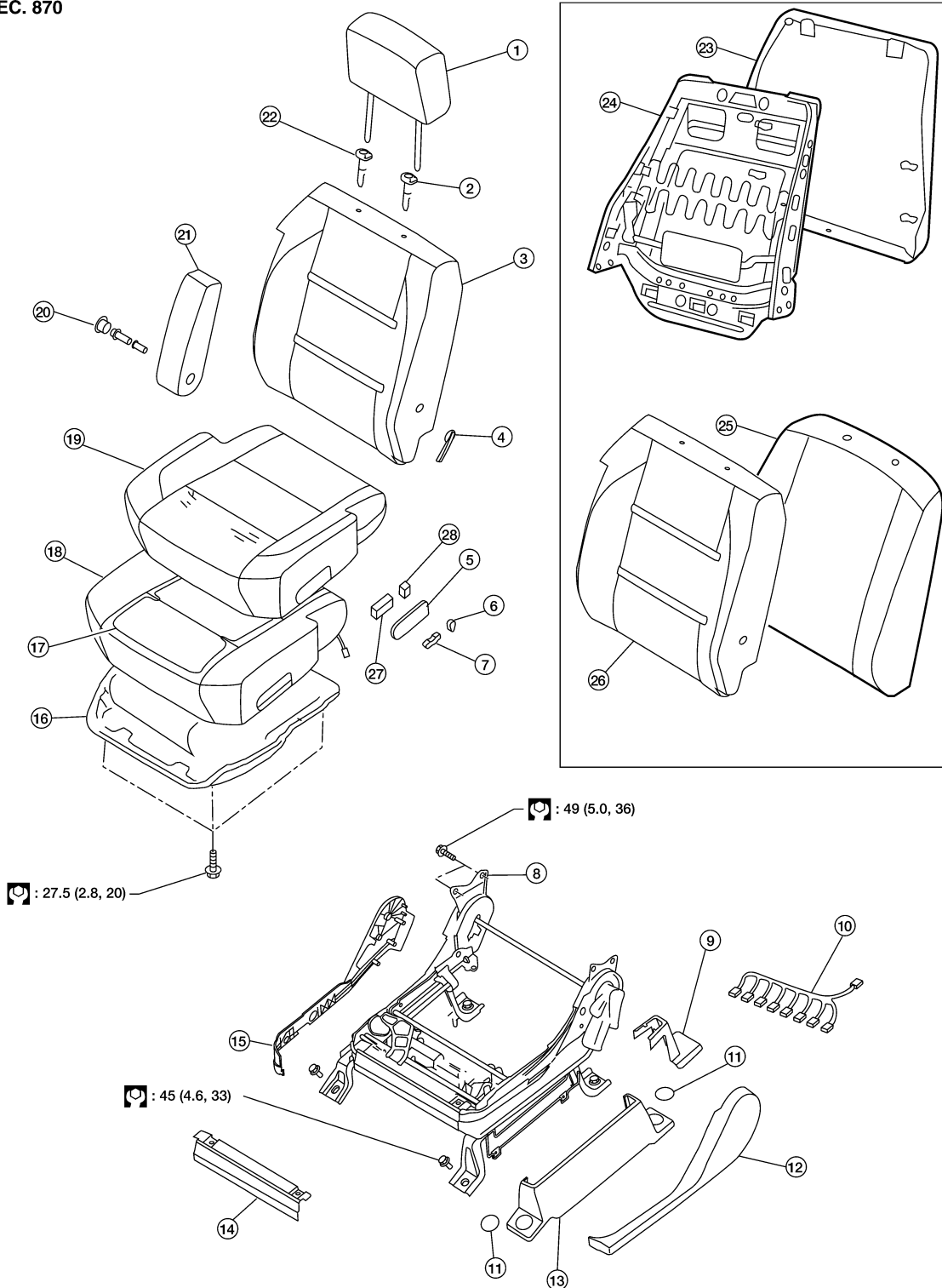
FRONT SEAT

Exploded View

INFOID:000000001606058

Driver Seat

SEC. 870



WIIA0946E

FRONT SEAT

< ON-VEHICLE REPAIR >

1. Headrest	2. Headrest holder with multi position lock	3. Seatback assembly	A
4. Lumbar support lever	5. Power seat switch escutcheon	6. Recliner switch knob	
7. Slide switch knob	8. Driver power seat frame assembly	9. LH outer leg cover	B
10. Driver seat wiring harness	11. Bolt cover	12. Seat cushion outer finisher	
13. Outer pedestal finisher	14. Seat cushion front finisher	15. Seat cushion inner finisher	
16. Seat cushion frame	17. Seat cushion heating element	18. Seat cushion pad	C
19. Seat cushion trim cover	20. Armrest bolt cover	21. Armrest assembly	
22. Headrest holder	23. Seatback board	24. Seatback frame without side air bag	
25. Seatback pad without side air bag	26. Seatback trim cover without side air bag	27. Seat slide switch	D
28. Recliner switch			E

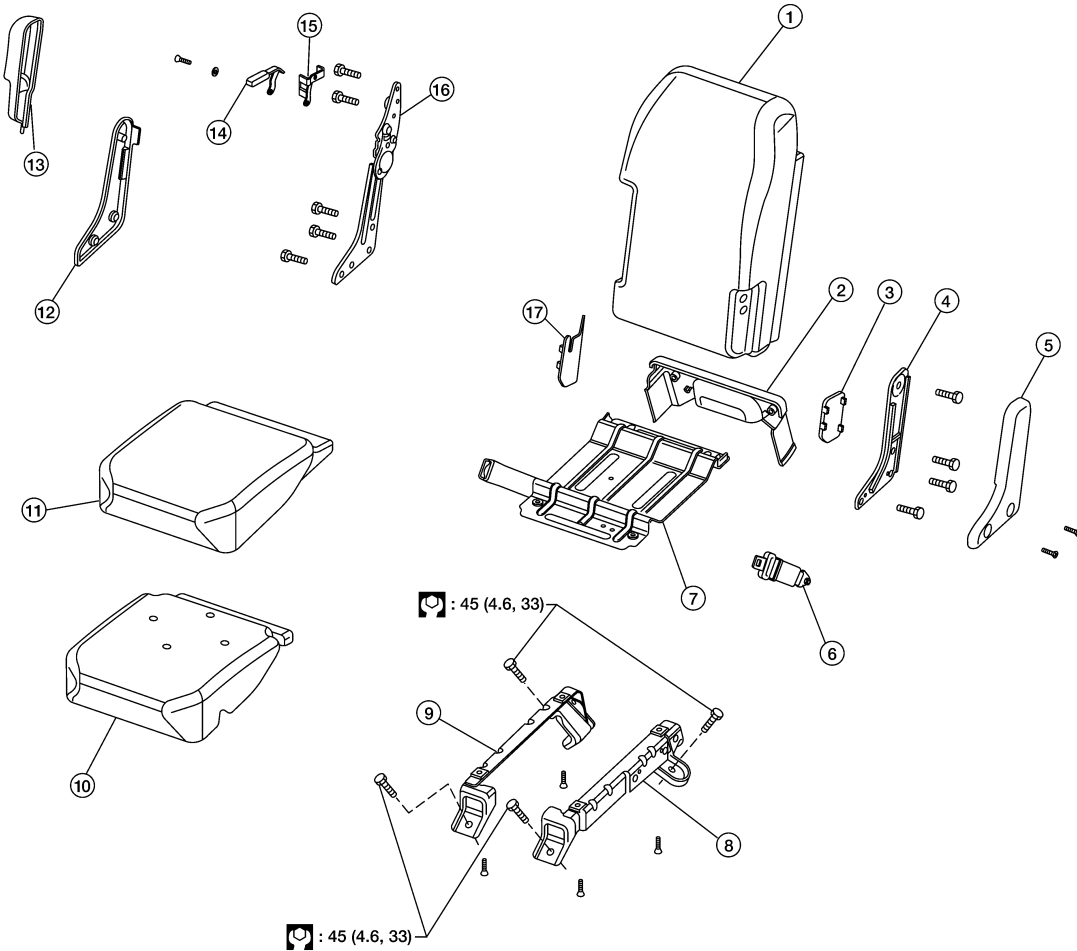
SE

FRONT SEAT

< ON-VEHICLE REPAIR >

Center Seat

SEC. 870



WIIA0947E

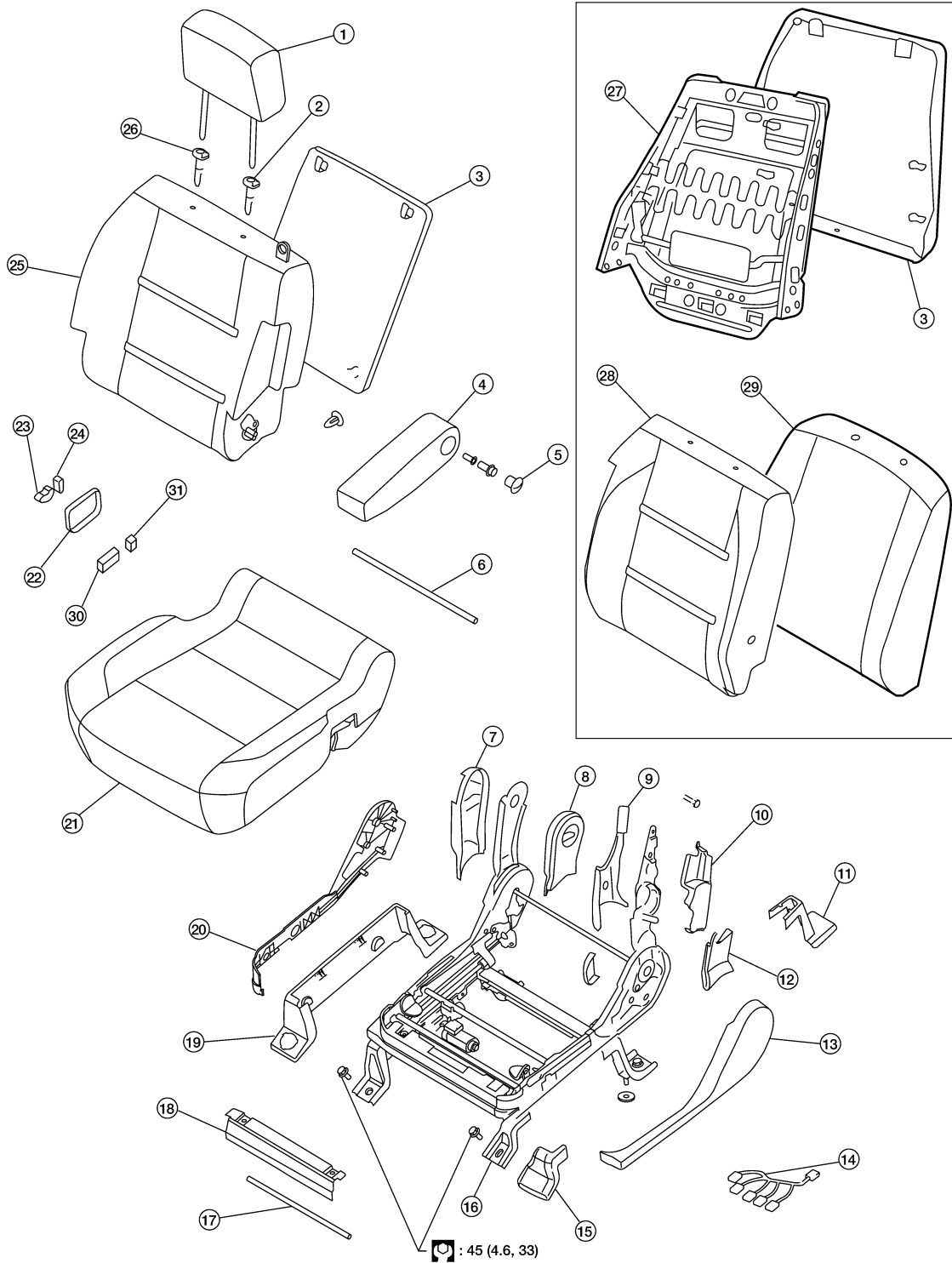
- | | | |
|-------------------------------|---------------------------------|----------------------------------|
| 1. Armrest assembly | 2. Rear hinge cover | 3. Inboard armrest support cover |
| 4. Armrest support | 5. Armrest bolt cover | 6. Seat belt tongue |
| 7. Center seat pan | 8. LH pedestal support | 9. RH pedestal support |
| 10. Seat cushion pad | 11. Seat cushion cover | 12. Lower armrest pivot cover |
| 13. Upper armrest pivot cover | 14. Armrest pivot release lever | 15. Armrest release bracket |
| 16. Armrest pivot arm | 17. Inboard lower pivot cover | |

FRONT SEAT

< ON-VEHICLE REPAIR >

Passenger Seat

SEC. 870



A
B
C
D
E
F
G
H
I
SE
K
L
M
N
O
P

- | | | |
|---------------------------------------|---------------------------------------------|----------------------------------------|
| 1. Headrest | 2. Headrest holder with multi position lock | 3. Seatback board |
| 4. Armrest assembly | 5. Armrest bolt cover | 6. Fold flat link bar |
| 7. Outboard reclining arm outer cover | 8. Outboard reclining arm inner cover | 9. Inboard reclining arm inner cover |
| 10. Latch cover | 11. LH outer leg cover | 12. Outboard reclining arm inner cover |
| 13. Seat cushion inner cover | 14. Passenger seat wiring harness | 15. Inner front leg cover |
| 16. Power seat frame assembly | 17. NVH assembly | 18. Seat cushion front finisher |

WIIA0948E

FRONT SEAT

< ON-VEHICLE REPAIR >

- | | | |
|----------------------------------------------|---------------------------------------|-----------------------------------------|
| 19. Outer pedestal finisher | 20. Seat cushion outer finisher | 21. Seat cushion assembly |
| 22. Power seat switch escutcheon | 23. Slide switch knob | 24. Recliner switch knob |
| 25. Seatback assembly | 26. Headrest holder | 27. Seatback frame without side air bag |
| 28. Seatback trim cover without side air bag | 29. Seatback pad without side air bag | 30. Recliner switch |
| 31. Seat slide switch | | |

Removal and Installation

INFOID:000000001606048

REMOVAL

CAUTION:

- When removing or installing the seat trim, handle it carefully to keep dirt out and avoid damage.
- Before removing the front seat, turn the ignition switch off, disconnect both battery cables and wait at least 3 minutes.
- When checking the power seat circuit for continuity using a circuit tester, do not confuse its connector with the side air bag module connector. Such an error may cause the air bag to deploy.
- Do not drop, tilt, or bump the side air bag module while installing the seat. Always handle it with care.
- After front side air bag module inflates, front seatback assembly must be replaced.
- Front passenger seat is equipped with Occupant Classification System sensor and control module. Do not disassemble front passenger seat cushion assembly or remove trim as this will affect the Occupant Classification System calibration.
- Always replace passenger seat cushion as an assembly.

1. Slide the seat until the four seat to body bolts are visible and a tool can be inserted.

NOTE:

- If disassembling the seat after removal, set the front/rear cushion lifters to the top position.

2. Disconnect both battery cables and wait at least 3 minutes.
3. Disconnect the side air bag module harness connector.
4. Remove the four seat to body bolts.
5. Disconnect the power seat harness connectors and remove the seat from the vehicle.

NOTE:

- When removing and installing the seat, use shop cloths to protect the vehicle from damage.

INSTALLATION

Installation is in the reverse order of removal.

REAR SEAT

< ON-VEHICLE REPAIR >

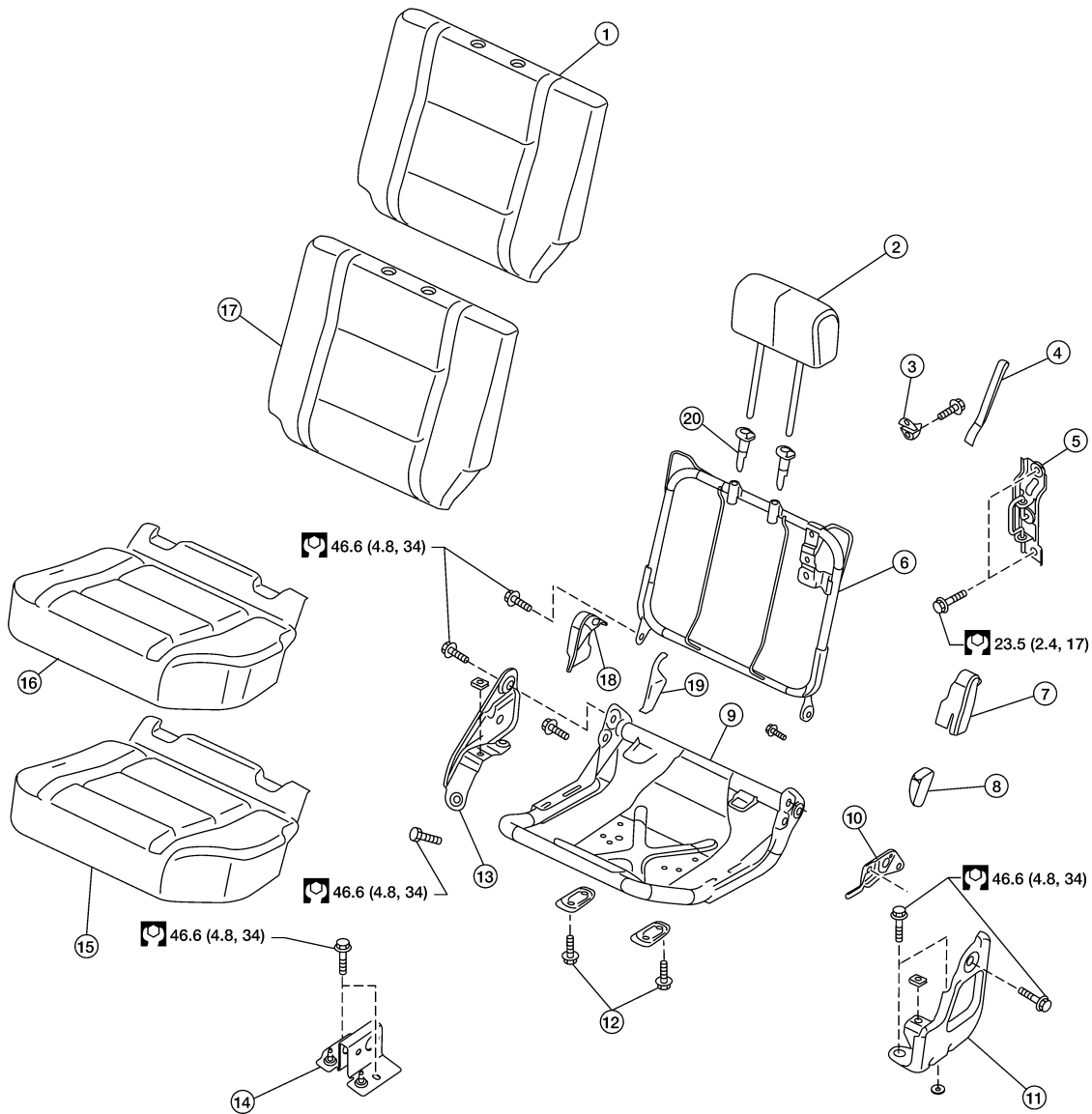
REAR SEAT

Exploded View

INFOID:000000001606059

LH

SEC. 881



A
B
C
D
E
F
G
H
I
SE
K
L
M
N
O
P

- | | | |
|---------------------------------|---------------------------|-----------------------|
| 1. Seatback pad | 2. Headrest | 3. Seatback latch |
| 4. Seatback latch release strap | 5. Seatback latch striker | 6. Seatback frame |
| 7. Outboard pivot cover | 8. Release lever handle | 9. Seat cushion frame |

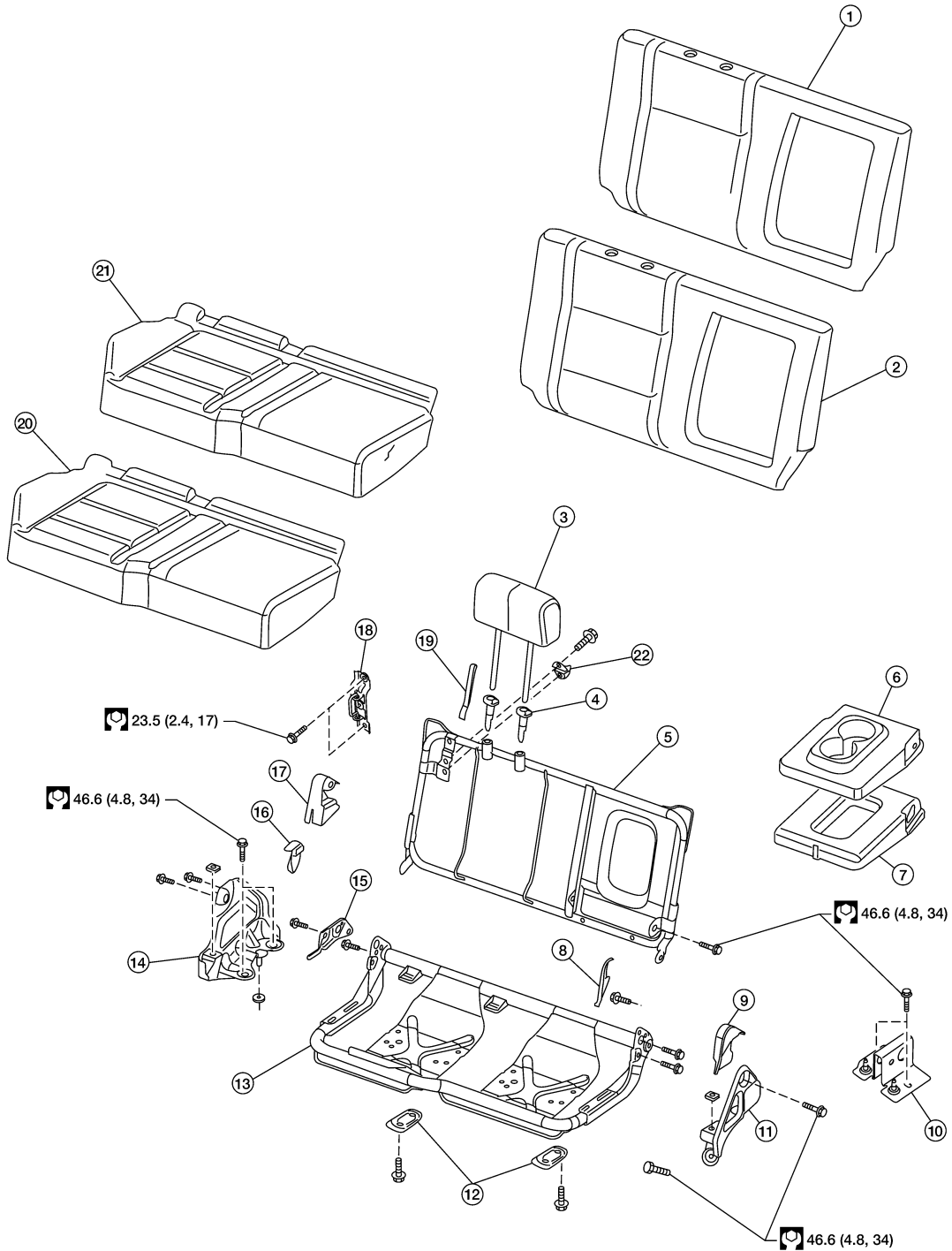
REAR SEAT

< ON-VEHICLE REPAIR >

- | | | |
|-----------------------------------|---------------------------|-------------------------------|
| 10. Seat cushion release assembly | 11. Outboard seat support | 12. Grocery bag hooks |
| 13. Inboard seat support | 14. Rear seat bracket | 15. Seat cushion pad |
| 16. Seat cushion trim | 17. Seatback trim | 18. Inboard outer pivot cover |
| 19. Inner inboard pivot cover | 20. Headrest guide | |

RH

SEC. 881



- | | | |
|---------------------------|-------------------|------------------|
| 1. Seatback trim | 2. Seatback pad | 3. Headrest |
| 4. Locking headrest guide | 5. Seatback frame | 6. Arm rest trim |

WIIA0950E

REAR SEAT

< ON-VEHICLE REPAIR >

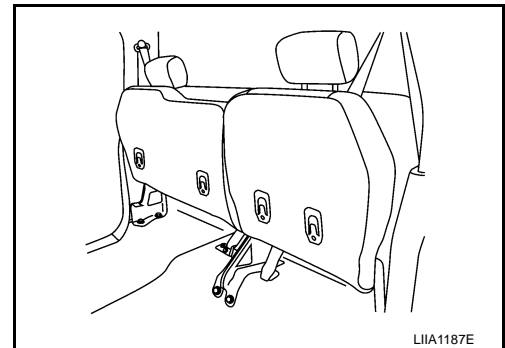
- | | | |
|---------------------------------|------------------------------------|--------------------------------|
| 7. Arm rest pad and frame | 8. Inner inboard hinge cover | 9. Outer inboard hinge cover |
| 10. Rear seat bracket | 11. Inboard seatback pivot anchor | 12. Grocery bag hooks |
| 13. Seat cushion frame | 14. Outboard seatback pivot anchor | 15. Seat cushion release lever |
| 16. Seat cushion release handle | 17. Outboard pivot cover | 18. Seatback striker assembly |
| 19. Seatback release strap | 20. Seat cushion pad | 21. Seat cushion trim |
| 22. Seatback latch assembly | | |

Removal and Installation

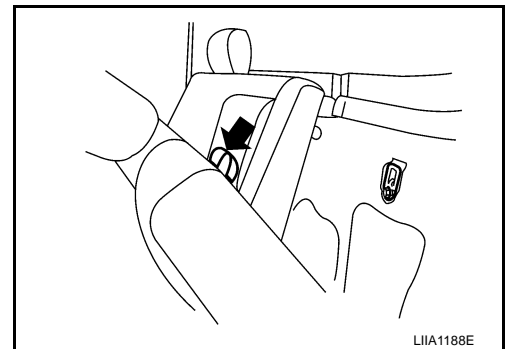
INFOID:000000001606050

Removal

1. Lift the seat cushion into the stowed position.
2. Remove the seatbelt and seat anchor bolts.



3. Release the seatback and remove the seat.



Installation

Installation is in the reverse order of removal.

A
B
C
D
E
F
G
H
I
SE
K
L
M
N
O
P

FRONT SEAT

< DISASSEMBLY AND ASSEMBLY >

DISASSEMBLY AND ASSEMBLY

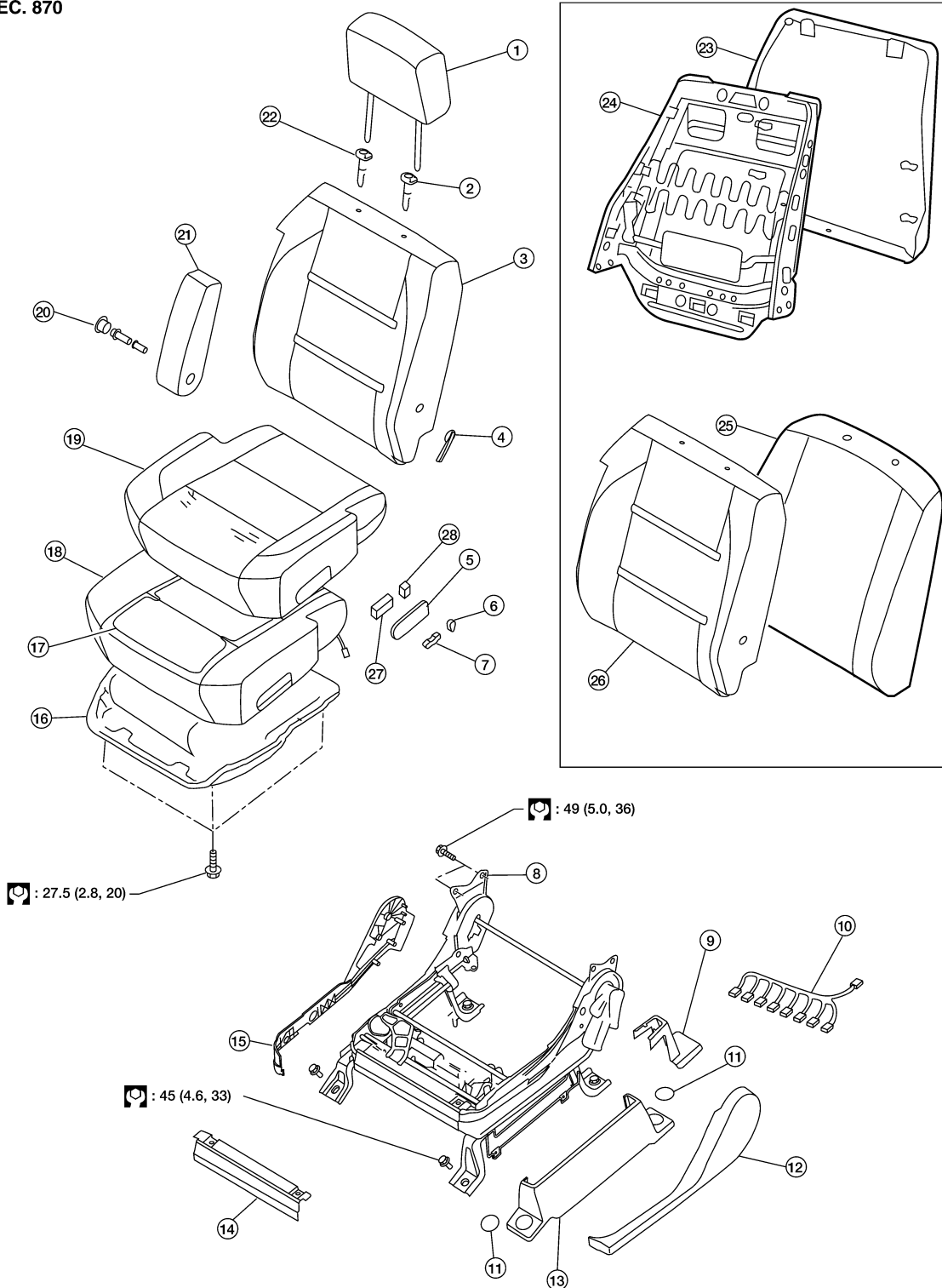
FRONT SEAT

Exploded View

INFOID:000000001606060

Driver Seat

SEC. 870



WIIA0946E

FRONT SEAT

< DISASSEMBLY AND ASSEMBLY >

1. Headrest	2. Headrest holder with multi position lock	3. Seatback assembly	A
4. Lumbar support lever	5. Power seat switch escutcheon	6. Recliner switch knob	
7. Slide switch knob	8. Driver power seat frame assembly	9. LH outer leg cover	B
10. Driver seat wiring harness	11. Bolt cover	12. Seat cushion outer finisher	
13. Outer pedestal finisher	14. Seat cushion front finisher	15. Seat cushion inner finisher	
16. Seat cushion frame	17. Seat cushion heating element	18. Seat cushion pad	C
19. Seat cushion trim cover	20. Armrest bolt cover	21. Armrest assembly	
22. Headrest holder	23. Seatback board	24. Seatback frame without side air bag	
25. Seatback pad without side air bag	26. Seatback trim cover without side air bag	27. Seat slide switch	D
28. Recliner switch			E

A

B

C

D

E

F

G

H

I

SE

K

L

M

N

O

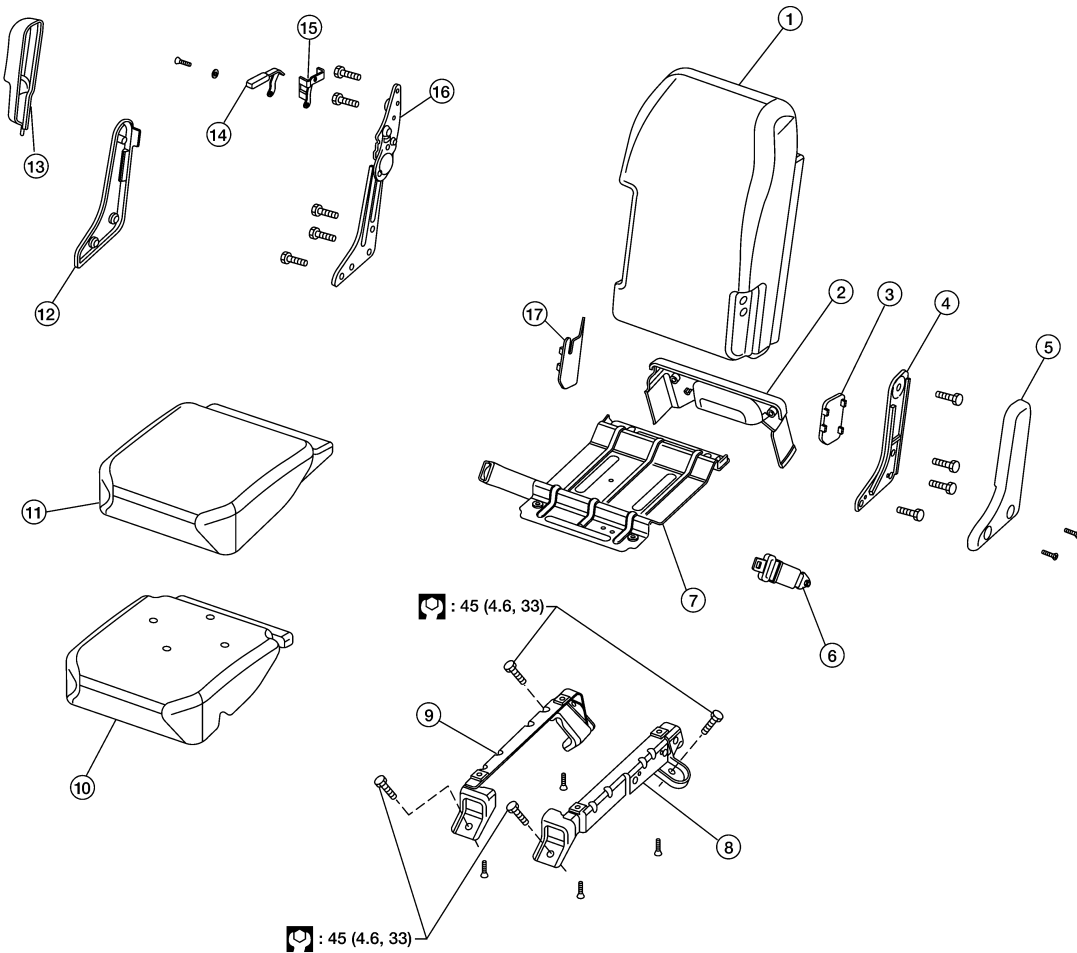
P

FRONT SEAT

< DISASSEMBLY AND ASSEMBLY >

Center Seat

SEC. 870



WIIA0947E

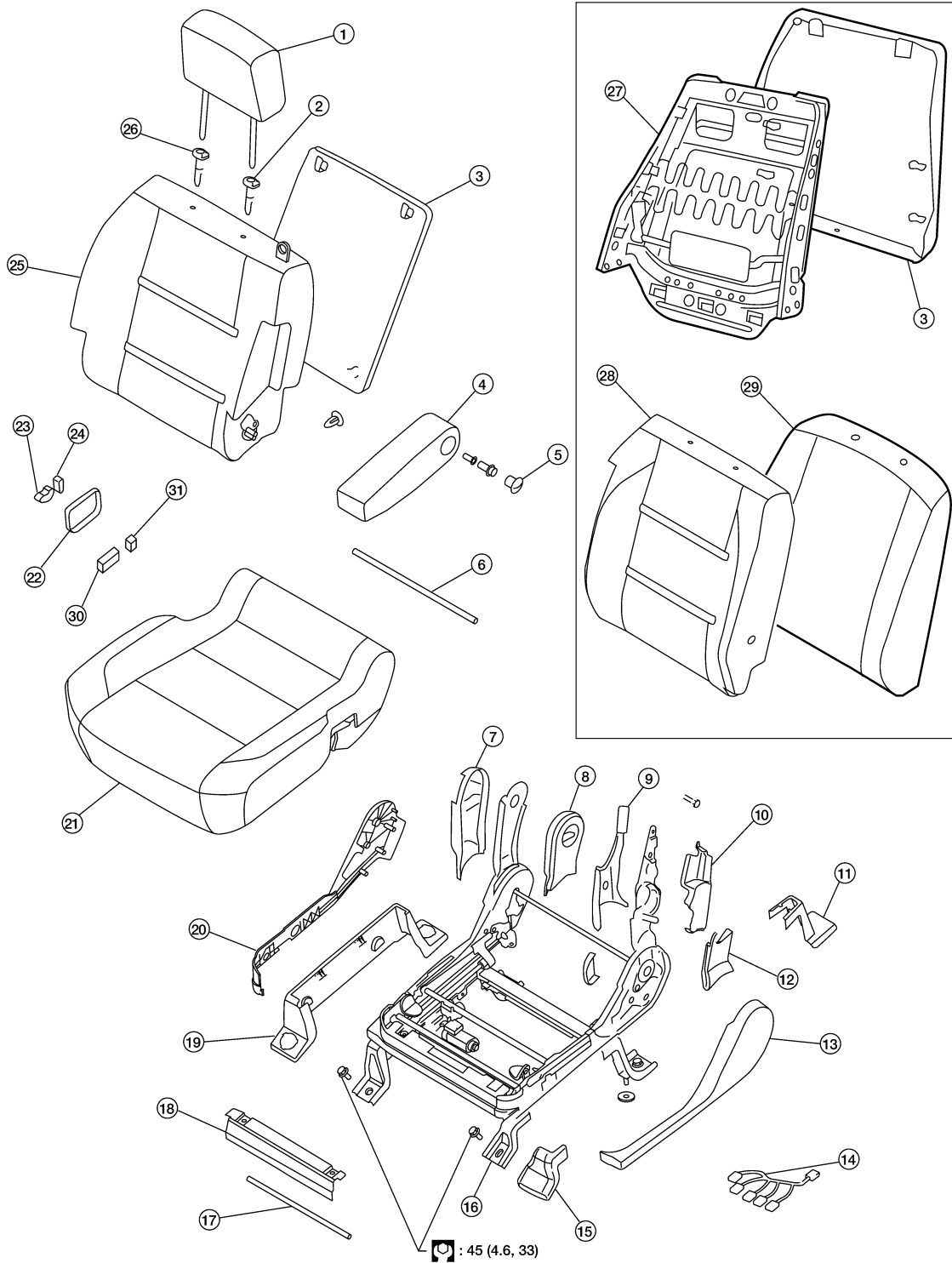
- | | | |
|-------------------------------|---------------------------------|----------------------------------|
| 1. Armrest assembly | 2. Rear hinge cover | 3. Inboard armrest support cover |
| 4. Armrest support | 5. Armrest bolt cover | 6. Seat belt tongue |
| 7. Center seat pan | 8. LH pedestal support | 9. RH pedestal support |
| 10. Seat cushion pad | 11. Seat cushion cover | 12. Lower armrest pivot cover |
| 13. Upper armrest pivot cover | 14. Armrest pivot release lever | 15. Armrest release bracket |
| 16. Armrest pivot arm | 17. Inboard lower pivot cover | |

FRONT SEAT

< DISASSEMBLY AND ASSEMBLY >

Passenger Seat

SEC. 870



WIIA0948E

- | | | |
|---------------------------------------|---------------------------------------------|----------------------------------------|
| 1. Headrest | 2. Headrest holder with multi position lock | 3. Seatback board |
| 4. Armrest assembly | 5. Armrest bolt cover | 6. Fold flat link bar |
| 7. Outboard reclining arm outer cover | 8. Outboard reclining arm inner cover | 9. Inboard reclining arm inner cover |
| 10. Latch cover | 11. LH outer leg cover | 12. Outboard reclining arm inner cover |
| 13. Seat cushion inner cover | 14. Passenger seat wiring harness | 15. Inner front leg cover |
| 16. Power seat frame assembly | 17. NVH assembly | 18. Seat cushion front finisher |

A
B
C
D
E
F
G
H
I
SE
K
L
M
N
O
P

FRONT SEAT

< DISASSEMBLY AND ASSEMBLY >

- | | | |
|----------------------------------------------|---------------------------------------|-----------------------------------------|
| 19. Outer pedestal finisher | 20. Seat cushion outer finisher | 21. Seat cushion assembly |
| 22. Power seat switch escutcheon | 23. Slide switch knob | 24. Recliner switch knob |
| 25. Seatback assembly | 26. Headrest holder | 27. Seatback frame without side air bag |
| 28. Seatback trim cover without side air bag | 29. Seatback pad without side air bag | 30. Recliner switch |
| 31. Seat slide switch | | |

Disassembly and Assembly

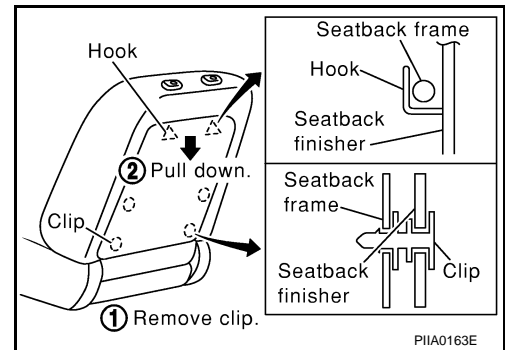
INFOID:000000001606053

SEATBACK TRIM AND PAD

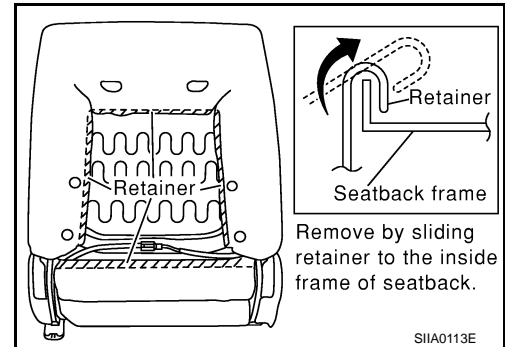
NOTE:

Only complete outboard seatback assemblies can be replaced on vehicles equipped with side air bags. Be sure to set the front/rear cushion lifter to the top position.

1. Remove the seatback board from the back of the seatback.



2. Remove the retainer.

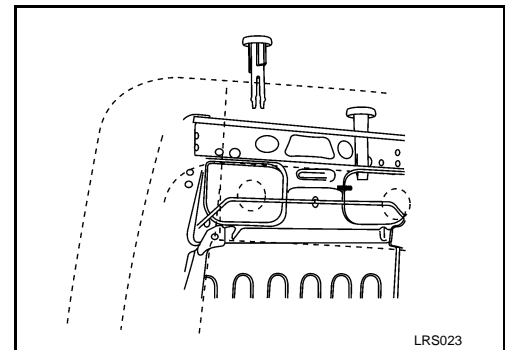


3. Remove the headrest.

4. From inside of the seatback, squeeze the headrest holder tabs at the base of the stay pipe and pull the up to remove.

NOTE:

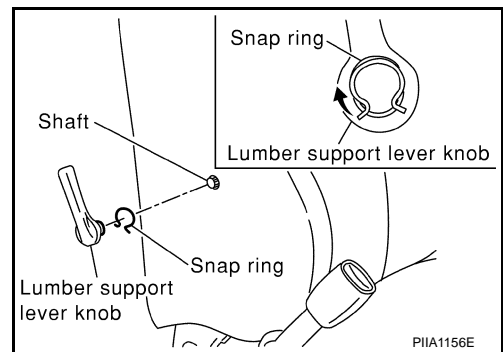
Before installing the headrest holder, check its orientation (front/rear and right/left).



FRONT SEAT

< DISASSEMBLY AND ASSEMBLY >

- Remove the snap ring and the lumbar support lever knob.



- CAUTION:**

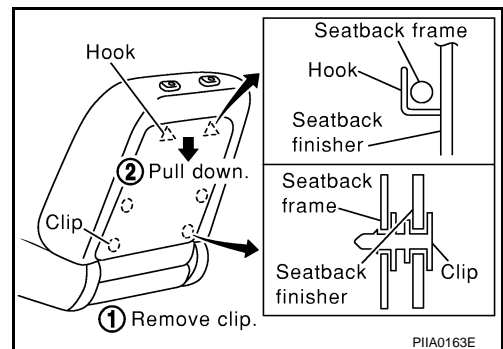
On the passenger seat during installation, the wire harness clips must be installed in the holes they were originally in.

Do not add additional clips.

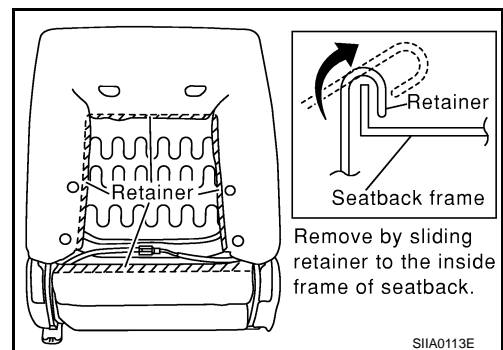
Disconnect the seatback heater harness. Remove the seatback trim and pad assembly. Remove the hog ring to separate the seatback trim from the pad and the heater unit.

Removal of seatback assembly

- Remove the seatback board from the back of the seatback.



- Remove the retainer.
- Remove the side air bag harness connector from the seat cushion.
- Remove the seatback bolts (2 for each side) and seatback assembly.



Installation of seatback assembly

- Installation is in the reverse order of removal.

SEAT CUSHION TRIM AND PAD

CAUTION:

- Front passenger seat is equipped with Occupant Classification System sensor and control module. Do not disassemble front passenger seat cushion assembly or remove trim as this will affect the Occupant Classification System calibration.
- Always replace passenger seat cushion as an assembly.
- When removed, the passenger seat cushion must always be placed pan side UP to prevent damage.
- During installation, the wire harness clips must be installed in the holes they were originally in. Do not add additional clips.
- The Occupant Classification System control module can only be replaced as part of the seat cushion assembly.

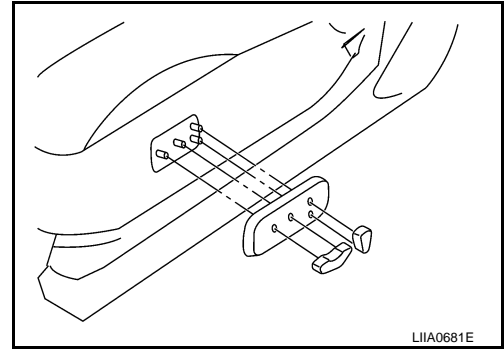
NOTE:

FRONT SEAT

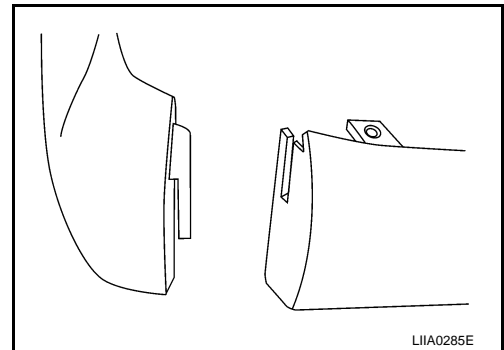
< DISASSEMBLY AND ASSEMBLY >

If the vehicle has been involved in a collision the seat must be inspected for damage. Refer to [SR-18, "For Frontal Collision"](#).

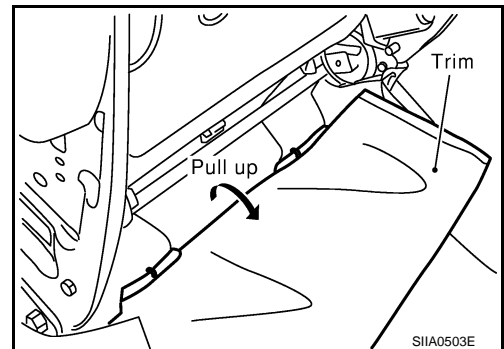
1. Remove the power seat switch knobs and power seat switch escutcheon (or recline knobs on manual seat).



2. Remove the front seat cushion finisher (inner).



3. Remove the power seat switch screws (or lift knobs on manual seats).
4. Remove four bolts and the seat cushion assembly.



5. Remove the retainer on the seat cushion frame, then remove the harness connector for the seat heater.
6. On the drivers seat only, after removing the seat cushion trim and pad, remove the hog rings to separate the trim cover from the pad and seat cushion heater unit.

REAR SEAT

< DISASSEMBLY AND ASSEMBLY >

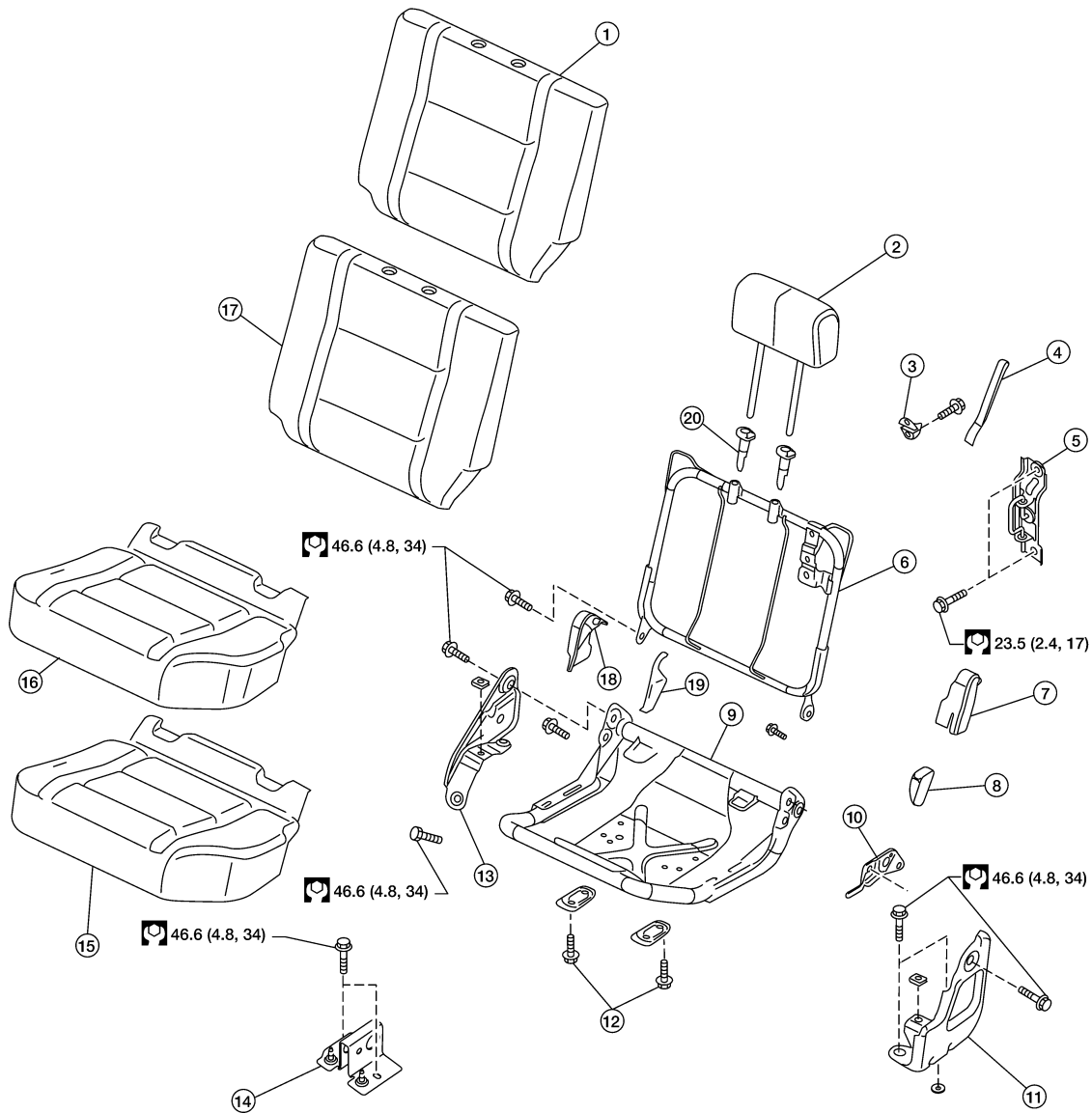
REAR SEAT

Exploded View

INFOID:000000001606061

LH

SEC. 881



A
B
C
D
E
F
G
H
I
SE
K
L
M
N
O
P

- | | | |
|---------------------------------|---------------------------|-----------------------|
| 1. Seatback pad | 2. Headrest | 3. Seatback latch |
| 4. Seatback latch release strap | 5. Seatback latch striker | 6. Seatback frame |
| 7. Outboard pivot cover | 8. Release lever handle | 9. Seat cushion frame |

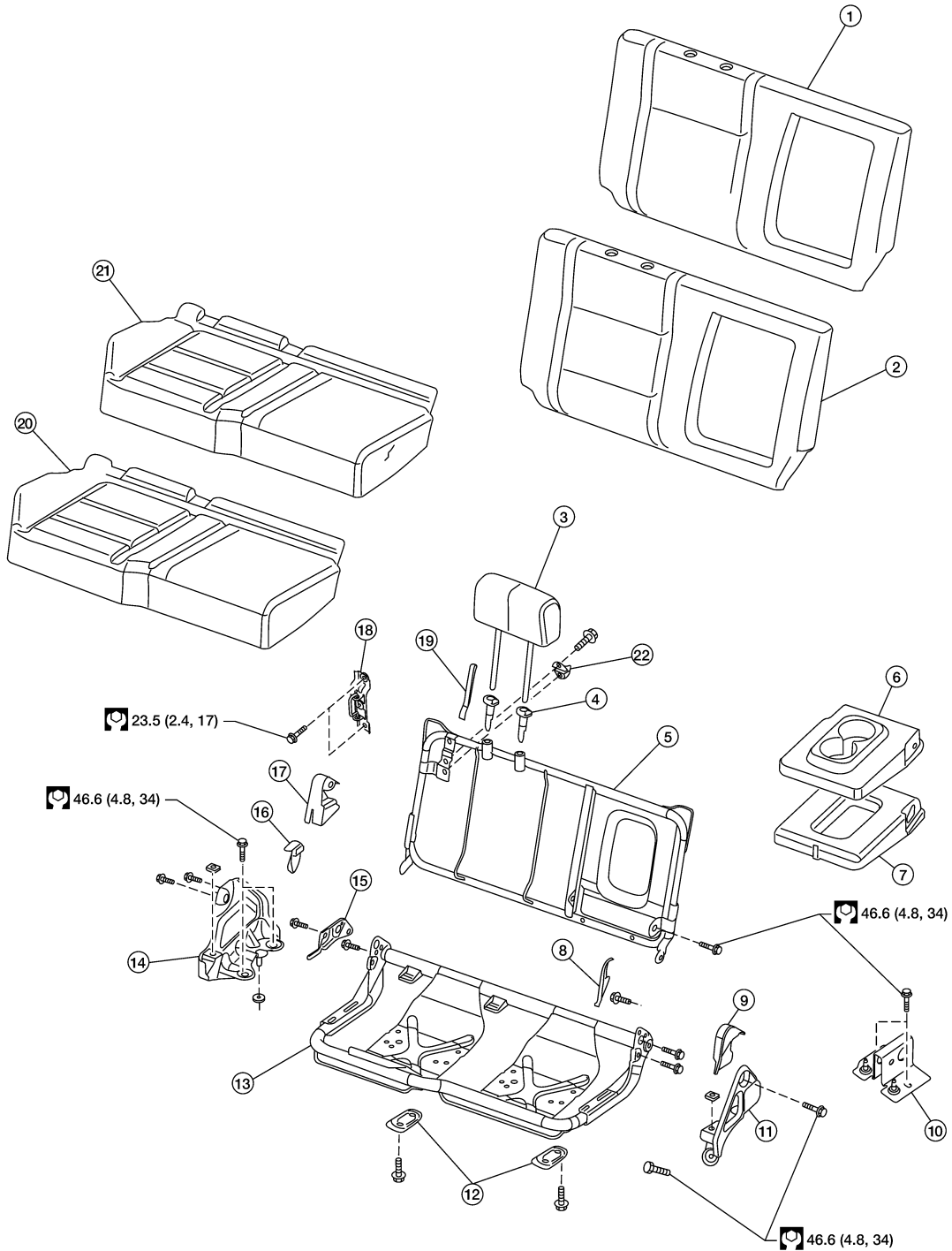
REAR SEAT

< DISASSEMBLY AND ASSEMBLY >

- | | | |
|-----------------------------------|---------------------------|-------------------------------|
| 10. Seat cushion release assembly | 11. Outboard seat support | 12. Grocery bag hooks |
| 13. Inboard seat support | 14. Rear seat bracket | 15. Seat cushion pad |
| 16. Seat cushion trim | 17. Seatback trim | 18. Inboard outer pivot cover |
| 19. Inner inboard pivot cover | 20. Headrest guide | |

RH

SEC. 881



WIIA0950E

- | | | |
|---------------------------|-------------------|------------------|
| 1. Seatback trim | 2. Seatback pad | 3. Headrest |
| 4. Locking headrest guide | 5. Seatback frame | 6. Arm rest trim |

REAR SEAT

< DISASSEMBLY AND ASSEMBLY >

- | | | |
|---------------------------------|------------------------------------|--------------------------------|
| 7. Arm rest pad and frame | 8. Inner inboard hinge cover | 9. Outer inboard hinge cover |
| 10. Rear seat bracket | 11. Inboard seatback pivot anchor | 12. Grocery bag hooks |
| 13. Seat cushion frame | 14. Outboard seatback pivot anchor | 15. Seat cushion release lever |
| 16. Seat cushion release handle | 17. Outboard pivot cover | 18. Seatback striker assembly |
| 19. Seatback release strap | 20. Seat cushion pad | 21. Seat cushion trim |
| 22. Seatback latch assembly | | |

A

B

C

D

E

F

G

H

I

SE

K

L

M

N

O

P