

SECTION **MIR**
MIRRORS

A
B
C
D
E
F
G
H
I
J
K
M
N
O
P

CONTENTS

COMPONENT DIAGNOSIS	2	Handling for Adhesive and Primer	16
DOOR MIRROR	2	PREPARATION	17
Wiring Diagram — Door Mirror — Adjustment and Heating System	2	PREPARATION	17
Wiring Diagram — Door Mirror — Power Fold System	5	Special Service Tool	17
INSIDE MIRROR	8	Commercial Service Tool	17
Wiring Diagram — With Homelink Universal Transceiver —	8	REMOVAL AND INSTALLATION	18
Wiring Diagram — Without Homelink Universal Transceiver —	12	INSIDE MIRROR	18
PRECAUTION	16	Removal and Installation	18
PRECAUTIONS	16	DOOR MIRROR	19
Precaution for Supplemental Restraint System (SRS) "AIR BAG" and "SEAT BELT PRE-TENSIONER"	16	Wiring Diagram - MIRROR -Without Power Folding Mirrors	19
		Wiring Diagram - H/MIRR -	21
		Door Mirror Assembly	23
		Door Mirror Glass	24

MIR

DOOR MIRROR

< COMPONENT DIAGNOSIS >

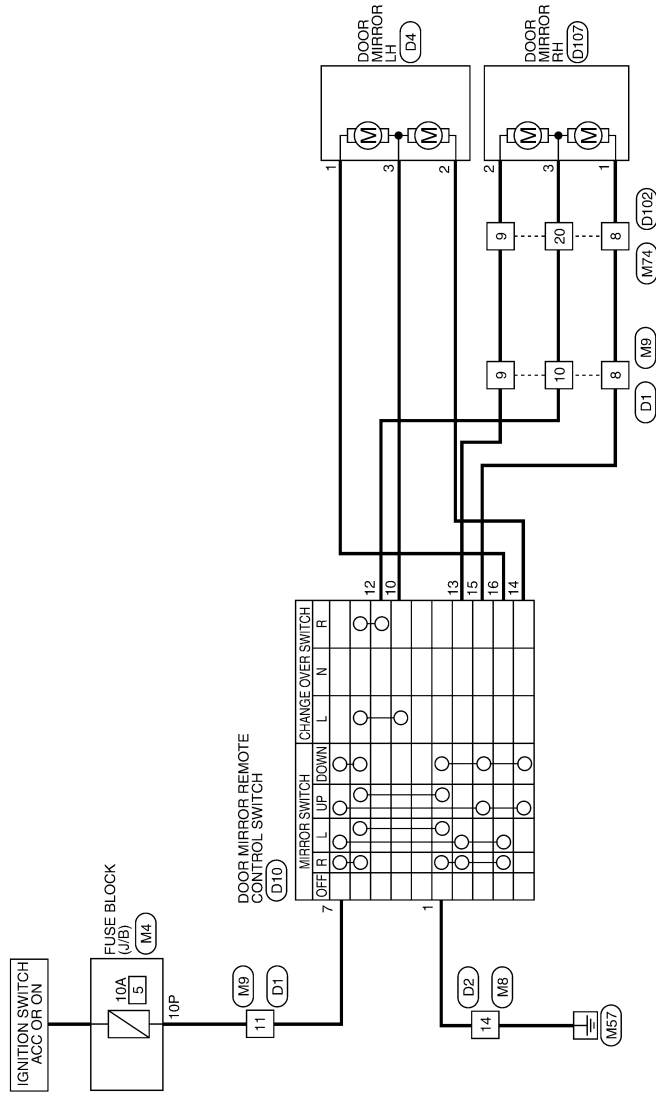
COMPONENT DIAGNOSIS

DOOR MIRROR

Wiring Diagram — Door Mirror — Adjustment and Heating System

INFOID:000000001672555

DOOR MIRROR - WITHOUT AUTOMATIC DRIVE POSITIONER



ALLWA0105GB

DOOR MIRROR

< COMPONENT DIAGNOSIS >

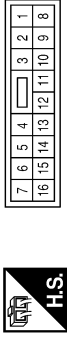
DOOR MIRROR CONNECTORS - WITHOUT AUTOMATIC DRIVE POSITIONER

Connector No.	M4
Connector Name	FUSE BLOCK (J/B)
Connector Color	WHITE



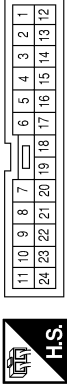
Terminal No.	Color of Wire	Signal Name
10P	GR	-

Connector No.	M8
Connector Name	WIRE TO WIRE
Connector Color	WHITE



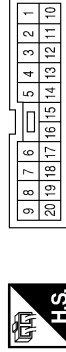
Terminal No.	Color of Wire	Signal Name
14	B	-

Connector No.	M9
Connector Name	WIRE TO WIRE
Connector Color	WHITE



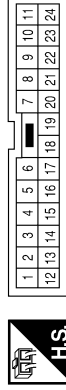
Terminal No.	Color of Wire	Signal Name
8	SB	-
9	Y/B	-
10	V/W	-
11	GR	-

Connector No.	M74
Connector Name	WIRE TO WIRE
Connector Color	BROWN



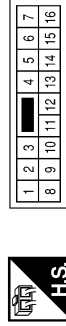
Terminal No.	Color of Wire	Signal Name
8	SB	-
9	Y/B	-
20	V/W	-

Connector No.	D1
Connector Name	WIRE TO WIRE
Connector Color	BROWN



Terminal No.	Color of Wire	Signal Name
8	SB	-
9	Y/B	-
10	V/W	-
11	G/R	-

Connector No.	D2
Connector Name	WIRE TO WIRE
Connector Color	WHITE



Terminal No.	Color of Wire	Signal Name
14	B	-

AWLIA0046GB

DOOR MIRROR

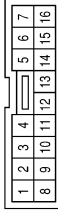
< COMPONENT DIAGNOSIS >

Connector No.	D4
Connector Name	DOOR MIRROR LH
Connector Color	WHITE



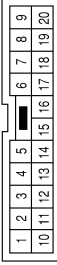
Terminal No.	Color of Wire	Signal Name
1	L/R	-
2	Y/R	-
3	P	-

Connector No.	D10
Connector Name	DOOR MIRROR REMOTE CONTROL SWITCH
Connector Color	WHITE



Terminal No.	Color of Wire	Signal Name
1	B	-
7	G/R	-
10	P	-
12	V/W	-
13	Y/B	-
14	Y/R	-
15	SB	-
16	L/R	-

Connector No.	D102
Connector Name	WIRE TO WIRE
Connector Color	BROWN



Terminal No.	Color of Wire	Signal Name
8	SB	-
9	Y/B	-
20	V/W	-

Connector No.	D107
Connector Name	DOOR MIRROR RH
Connector Color	WHITE



Terminal No.	Color of Wire	Signal Name
1	SB	-
2	Y/B	-
3	V/W	-

AWLIA0047GB

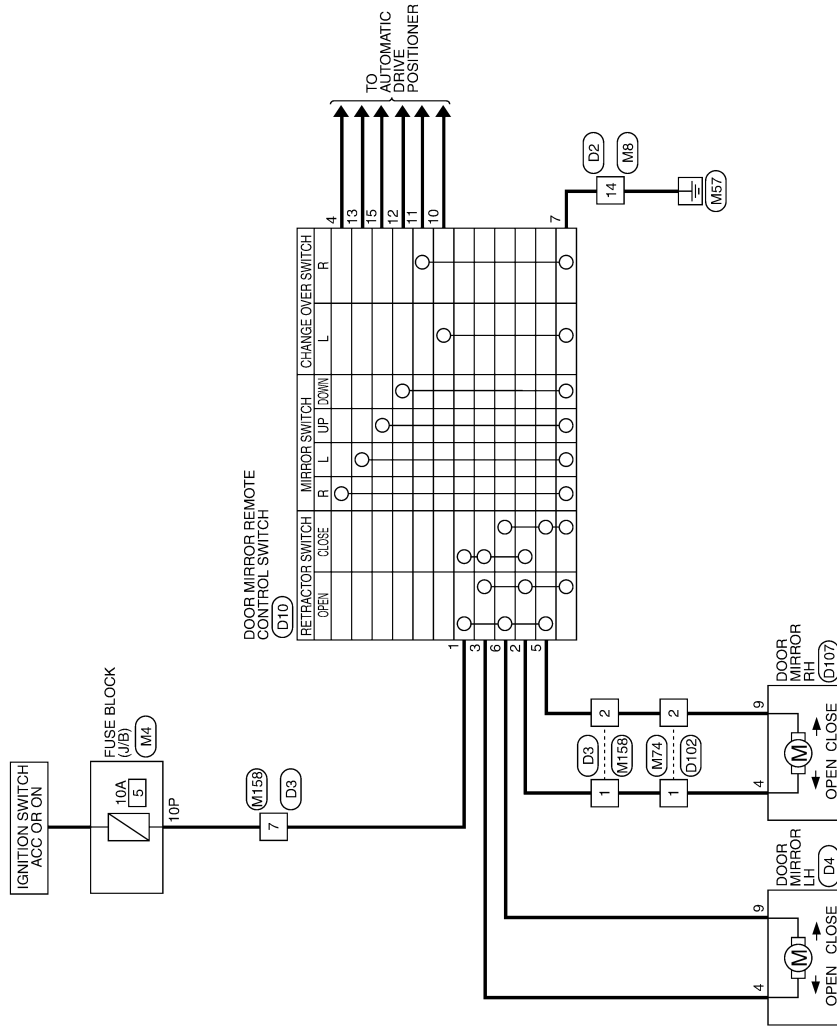
DOOR MIRROR

< COMPONENT DIAGNOSIS >

Wiring Diagram — Door Mirror — Power Fold System

INFOID:000000001675418

DOOR MIRROR - POWER FOLD SYSTEM



A
B
C
D
E
F
G
H
I
J
K
L
M
N
O
P

MIR

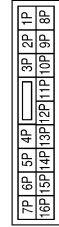
ALLWA0106GB

DOOR MIRROR

< COMPONENT DIAGNOSIS >

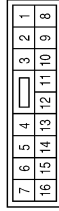
DOOR MIRROR CONNECTORS - POWER FOLD SYSTEM

Connector No.	M4
Connector Name	FUSE BLOCK (J/B)
Connector Color	WHITE



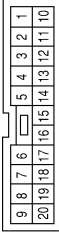
Terminal No.	10P	Color of Wire	O	Signal Name	-
--------------	-----	---------------	---	-------------	---

Connector No.	M8
Connector Name	WIRE TO WIRE
Connector Color	WHITE



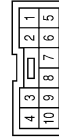
Terminal No.	14	Color of Wire	B	Signal Name	-
--------------	----	---------------	---	-------------	---

Connector No.	M74
Connector Name	WIRE TO WIRE
Connector Color	BROWN



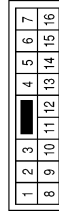
Terminal No.	1	Color of Wire	Y/L	Signal Name	-
Terminal No.	2	Color of Wire	R	Signal Name	-

Connector No.	M158
Connector Name	WIRE TO WIRE
Connector Color	WHITE



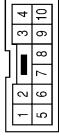
Terminal No.	1	Color of Wire	Y/L	Signal Name	-
Terminal No.	2	Color of Wire	R	Signal Name	-
Terminal No.	7	Color of Wire	O	Signal Name	-

Connector No.	D2
Connector Name	WIRE TO WIRE
Connector Color	WHITE



Terminal No.	14	Color of Wire	B	Signal Name	-
--------------	----	---------------	---	-------------	---

Connector No.	D3
Connector Name	WIRE TO WIRE
Connector Color	WHITE



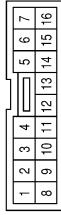
Terminal No.	1	Color of Wire	Y/L	Signal Name	-
Terminal No.	2	Color of Wire	R	Signal Name	-
Terminal No.	7	Color of Wire	O	Signal Name	-

DOOR MIRROR

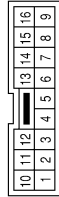
< COMPONENT DIAGNOSIS >

Terminal No.	Color of Wire	Signal Name
1	O	-
2	Y/L	-
3	L	-
4	GR	-
5	R	-
6	G	-
7	B	-
10	BR/W	-
11	LG	-
12	SB	-
13	V/W	-
15	Y/B	-

Connector No.	D10
Connector Name	DOOR MIRROR REMOTE CONTROL SWITCH
Connector Color	WHITE

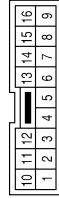


Connector No.	D4
Connector Name	DOOR MIRROR LH
Connector Color	WHITE

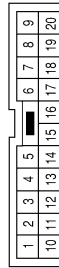


Terminal No.	Color of Wire	Signal Name
4	L	-
9	G	-

Connector No.	D107
Connector Name	DOOR MIRROR RH
Connector Color	WHITE



Connector No.	D102
Connector Name	WIRE TO WIRE
Connector Color	BROWN



Terminal No.	Color of Wire	Signal Name
4	Y/L	-
9	R	-

Terminal No.	Color of Wire	Signal Name
1	Y/L	-
2	R	-

AWLIA0045GB

INSIDE MIRROR

< COMPONENT DIAGNOSIS >

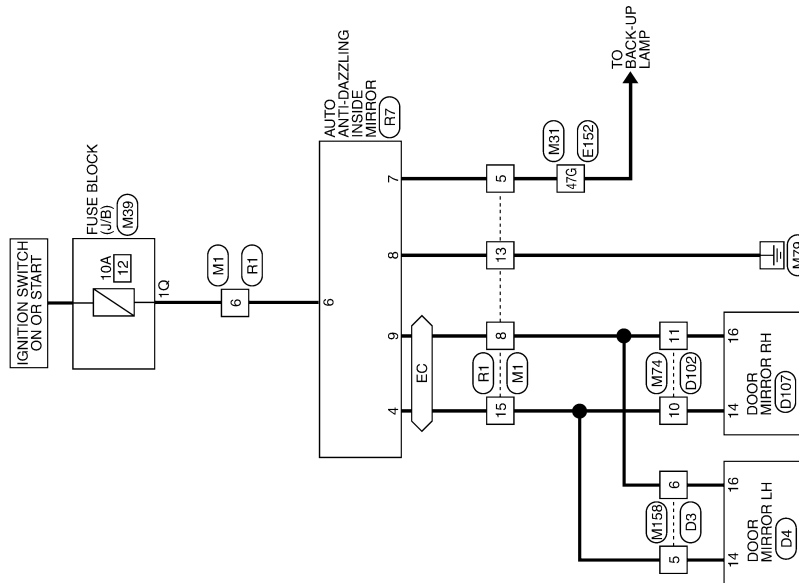
INSIDE MIRROR

Wiring Diagram — With Homelink Universal Transceiver —

INFOID:000000001672582

INSIDE MIRROR - WITH HOMELINK UNIVERSAL TRANSCEIVER

EC: WITH AUTO DIMMING OUTSIDE MIRRORS



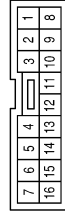
ALLWA0108GB

INSIDE MIRROR

< COMPONENT DIAGNOSIS >

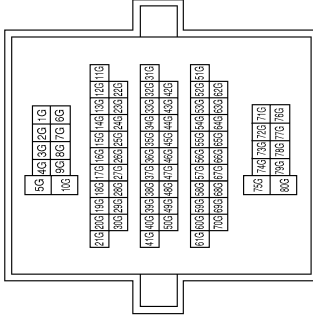
INSIDE MIRROR CONNECTORS - WITH HOMELINK UNIVERSAL TRANSCIEVER

Connector No.	M1
Connector Name	WIRE TO WIRE
Connector Color	WHITE



Terminal No.	Color of Wire	Signal Name
5	G/W	-
6	G/R	-
8	Y/V	-
13	B	-
15	LG/B	-

Connector No.	M31
Connector Name	WIRE TO WIRE
Connector Color	WHITE



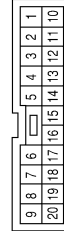
Terminal No.	47G
Color of Wire	G/W
Signal Name	-

Connector No.	M39
Connector Name	FUSE BLOCK (J/B)
Connector Color	WHITE



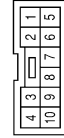
Terminal No.	1Q
Color of Wire	G/R
Signal Name	-

Connector No.	M74
Connector Name	WIRE TO WIRE
Connector Color	BROWN



Terminal No.	Color of Wire	Signal Name
10	LG/B	-
11	Y/V	-

Connector No.	M158
Connector Name	WIRE TO WIRE
Connector Color	WHITE



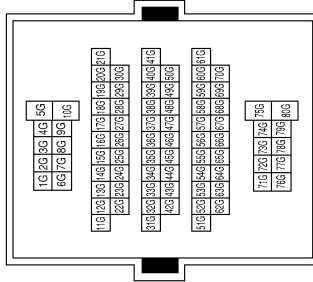
Terminal No.	Color of Wire	Signal Name
5	LG/B	-
6	Y/V	-

AWLIA0041GB

INSIDE MIRROR

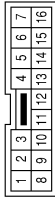
< COMPONENT DIAGNOSIS >

Connector No.	E152
Connector Name	WIRE TO WIRE
Connector Color	WHITE



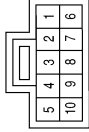
Terminal No.	Color of Wire	Signal Name
47G	G/W	-

Connector No.	R1
Connector Name	WIRE TO WIRE
Connector Color	WHITE



Terminal No.	Color of Wire	Signal Name
5	G/W	-
6	G/R	-
8	Y/V	-
13	B	-
15	LG/B	-

Connector No.	R7
Connector Name	AUTO ANTI-DAZZLING INSIDE MIRROR
Connector Color	GRAY



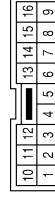
Terminal No.	Color of Wire	Signal Name
4	LG/B	-
6	G/R	IGN
7	G/W	REV
8	B	GND
9	Y/V	-

Connector No.	D3
Connector Name	WIRE TO WIRE
Connector Color	WHITE



Terminal No.	Color of Wire	Signal Name
5	LG/B	-
6	Y/V	-

Connector No.	D4
Connector Name	DOOR MIRROR LH
Connector Color	WHITE



Terminal No.	Color of Wire	Signal Name
14	LG/B	EC_FEED
16	Y/V	EC_RETURN

Connector No.	D102
Connector Name	WIRE TO WIRE
Connector Color	BROWN

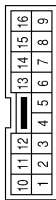


Terminal No.	Color of Wire	Signal Name
10	LG/B	-
11	Y/V	-

INSIDE MIRROR

< COMPONENT DIAGNOSIS >

Connector No.	D107
Connector Name	DOOR MIRROR RH
Connector Color	WHITE



Terminal No.	Color of Wire	Signal Name
14	LG/B	EC_FEED
16	Y/W	EC_RETURN

- A
- B
- C
- D
- E
- F
- G
- H
- I
- J
- K
- M
- N
- O
- P

MIR

AWLIA0043GB

INSIDE MIRROR

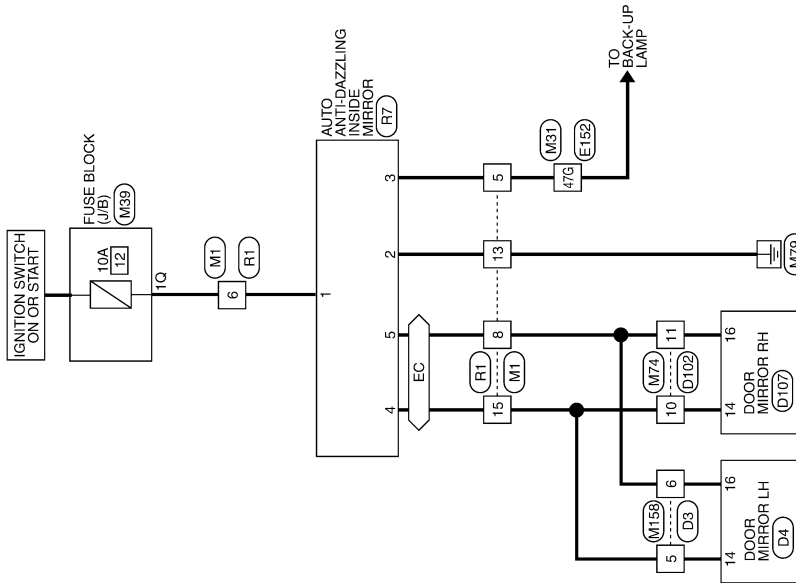
< COMPONENT DIAGNOSIS >

Wiring Diagram — Without Homelink Universal Transceiver —

INFOID:000000001672556

INSIDE MIRROR - WITHOUT HOMELINK UNIVERSAL TRANSCEIVER

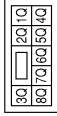
EC : WITH AUTO DIMMING OUTSIDE MIRRORS



ALLWA0107GB

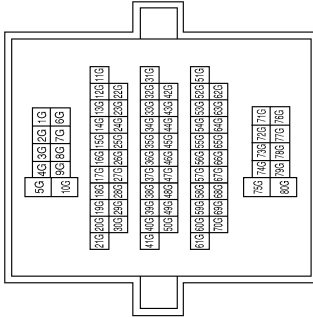
INSIDE MIRROR CONNECTORS - WITHOUT HOMELINK UNIVERSAL TRANSCEIVER

Connector No.	M39
Connector Name	FUSE BLOCK (J/B)
Connector Color	WHITE



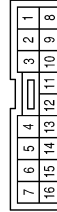
Terminal No.	Color of Wire	Signal Name
1Q	G/R	-

Connector No.	M31
Connector Name	WIRE TO WIRE
Connector Color	WHITE



Terminal No.	Color of Wire	Signal Name
47G	G/W	-

Connector No.	M1
Connector Name	WIRE TO WIRE
Connector Color	WHITE



Terminal No.	Color of Wire	Signal Name
5	G/W	-
6	G/R	-
8	Y/V	-
13	B	-
15	LG/B	-

Connector No.	M158
Connector Name	WIRE TO WIRE
Connector Color	WHITE



Terminal No.	Color of Wire	Signal Name
5	LG/B	-
6	Y/V	-

Connector No.	M74
Connector Name	WIRE TO WIRE
Connector Color	BROWN



Terminal No.	Color of Wire	Signal Name
10	LG/B	-
11	Y/V	-

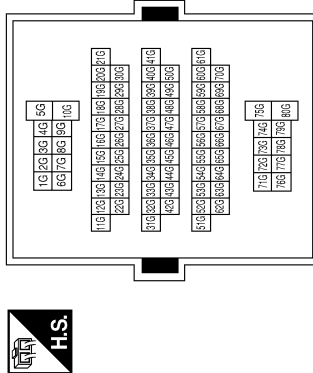
AWLIA0038GB



INSIDE MIRROR

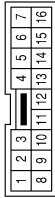
< COMPONENT DIAGNOSIS >

Connector No.	E152
Connector Name	WIRE TO WIRE
Connector Color	WHITE



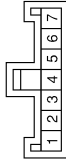
Terminal No.	Color of Wire	Signal Name
47G	G/W	-

Connector No.	R1
Connector Name	WIRE TO WIRE
Connector Color	WHITE



Terminal No.	Color of Wire	Signal Name
5	G/W	-
6	G/R	-
8	Y/V	-
13	B	-
15	LG/B	-

Connector No.	R7
Connector Name	AUTO ANTI-DAZZLING INSIDE MIRROR
Connector Color	BLACK



Terminal No.	Color of Wire	Signal Name
1	G/R	IGN
2	B	GND
3	G/W	REV
4	LG/B	OEC FEED
5	Y/V	OEC RETURN

Connector No.	D3
Connector Name	WIRE TO WIRE
Connector Color	WHITE



Terminal No.	Color of Wire	Signal Name
5	LG/B	-
6	Y/V	-

Connector No.	D4
Connector Name	DOOR MIRROR LH
Connector Color	WHITE



Terminal No.	Color of Wire	Signal Name
14	LG/B	EC_FEED
16	Y/V	EC_RETURN

Connector No.	D102
Connector Name	WIRE TO WIRE
Connector Color	BROWN



Terminal No.	Color of Wire	Signal Name
10	LG/B	-
11	Y/V	-

INSIDE MIRROR

< COMPONENT DIAGNOSIS >

Connector No.	D107
Connector Name	DOOR MIRROR RH
Connector Color	WHITE



Terminal No.	Color of Wire	Signal Name
14	LG/B	EC_FEED
16	Y/W	EC_RETURN

- A
- B
- C
- D
- E
- F
- G
- H
- I
- J
- K
- MIR
- M
- N
- O
- P

AWLIA0040GB

PRECAUTIONS

< PRECAUTION >

PRECAUTION

PRECAUTIONS

Precaution for Supplemental Restraint System (SRS) "AIR BAG" and "SEAT BELT PRE-TENSIONER"

INFOID:000000001337758

The Supplemental Restraint System such as "AIR BAG" and "SEAT BELT PRE-TENSIONER", used along with a front seat belt, helps to reduce the risk or severity of injury to the driver and front passenger for certain types of collision. This system includes seat belt switch inputs and dual stage front air bag modules. The SRS system uses the seat belt switches to determine the front air bag deployment, and may only deploy one front air bag, depending on the severity of a collision and whether the front occupants are belted or unbelted. Information necessary to service the system safely is included in the SR and SB section of this Service Manual.

WARNING:

- To avoid rendering the SRS inoperative, which could increase the risk of personal injury or death in the event of a collision which would result in air bag inflation, all maintenance must be performed by an authorized NISSAN/INFINITI dealer.
- Improper maintenance, including incorrect removal and installation of the SRS, can lead to personal injury caused by unintentional activation of the system. For removal of Spiral Cable and Air Bag Module, see the SR section.
- Do not use electrical test equipment on any circuit related to the SRS unless instructed to in this Service Manual. SRS wiring harnesses can be identified by yellow and/or orange harnesses or harness connectors.

Handling for Adhesive and Primer

INFOID:000000001337759

- Do not use an adhesive which is past its usable date. Shelf life of this product is limited to six months after the date of manufacture. Carefully adhere to the expiration or manufacture date printed on the box.
- Keep primers and adhesive in a cool, dry place. Ideally, they should be stored in a refrigerator.
- Open the seal of the primer and adhesive just before application. Discard the remainder.
- Before application, be sure to shake the primer container to stir the contents. If any floating material is found, do not use it.
- If any primer or adhesive contacts the skin, wipe it off with gasoline or equivalent and wash the skin with soap.
- When using primer and adhesive, always observe the precautions in the instruction manual.

PREPARATION

< PREPARATION >

PREPARATION

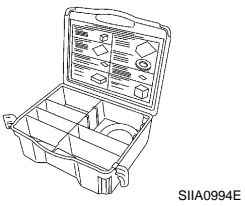
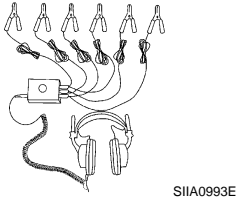
PREPARATION

Special Service Tool

INFOID:000000001337760

The actual shapes of Kent-Moore tools may differ from those of special service tools illustrated here.

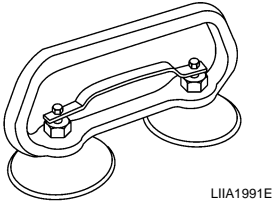
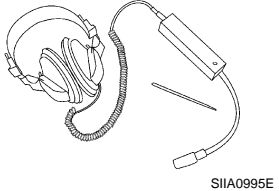
Tool number (Kent-Moore No.) Tool name	Description
— (J-39570) Chassis ear	Locating the noise
— (J-43980) NISSAN Squeak and Rattle Kit	Repairing the cause of noise



Commercial Service Tool

INFOID:000000001337761

(Kent-Moore No.) Tool name	Description
(J-39565) Engine ear	Locating the noise
(—) Suction Lifter	Holding door glass



A
B
C
D
E
F
G
H
I
J
K
M
N
O
P

MIR

INSIDE MIRROR

< REMOVAL AND INSTALLATION >

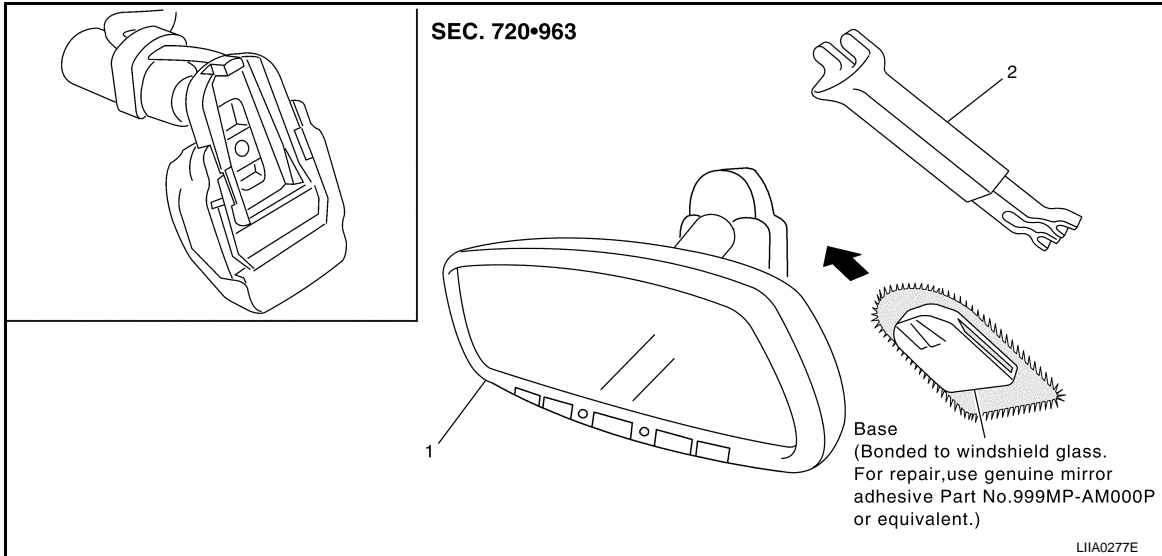
REMOVAL AND INSTALLATION

INSIDE MIRROR

Removal and Installation

INFOID:000000001337757

1. Remove inside mirror finisher.
2. Slide the mirror upward to remove.
3. Disconnect the connector.



1. Inside mirror

2. Inside mirror finisher

Installation is in the reverse order of removal.

DOOR MIRROR

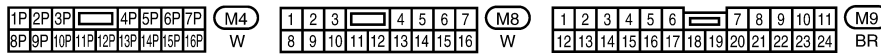
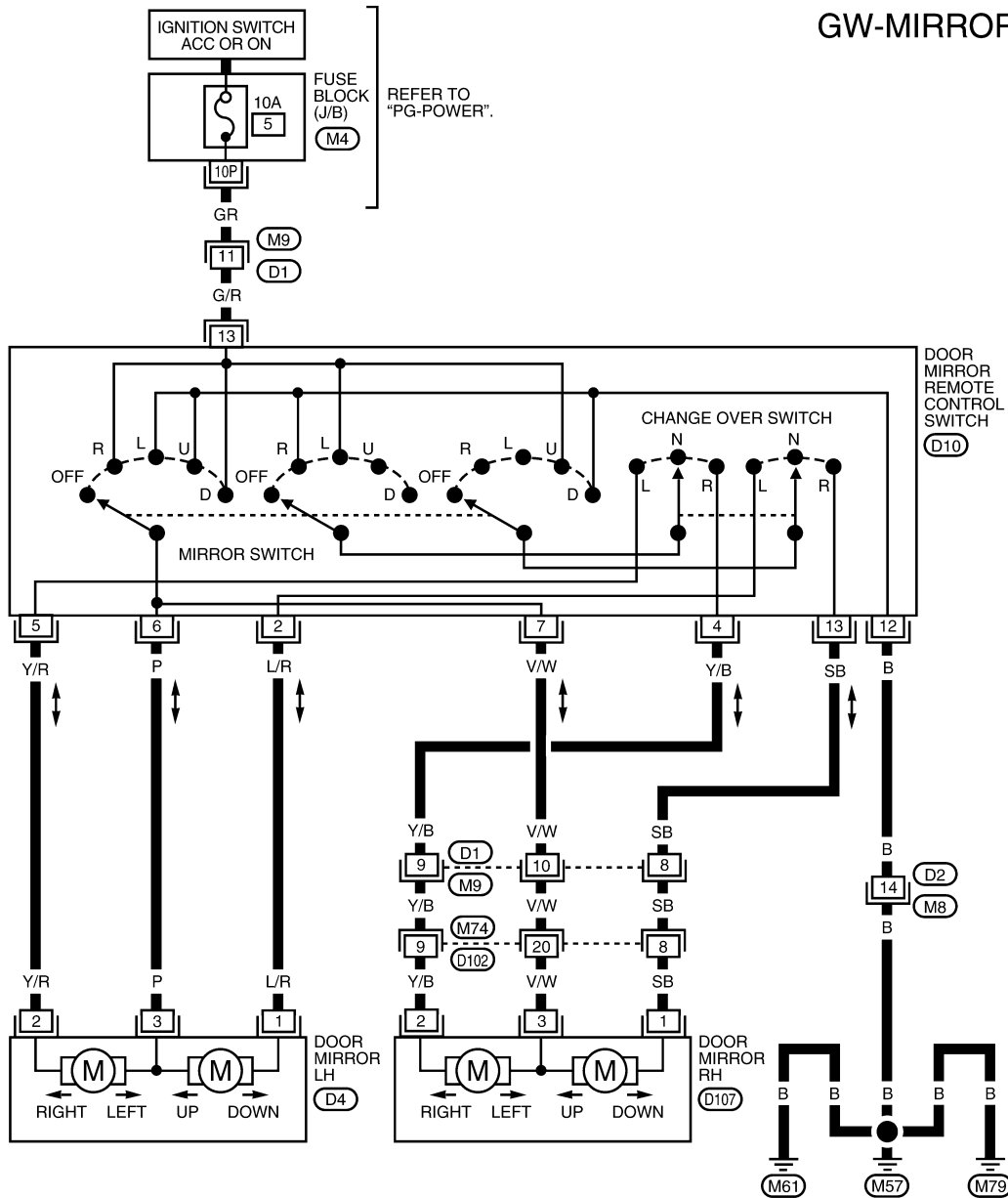
< REMOVAL AND INSTALLATION >

DOOR MIRROR

Wiring Diagram - MIRROR -Without Power Folding Mirrors

INFOID:000000001337816

GW-MIRROR-01



A
B
C
D
E
F
G
H
I
J
K
L
M
N
O
P

MIR

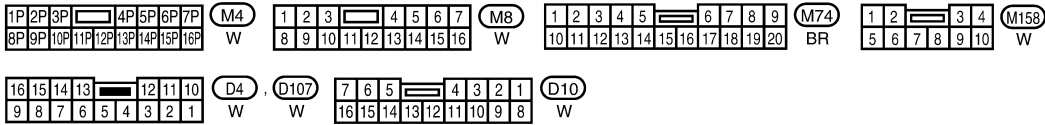
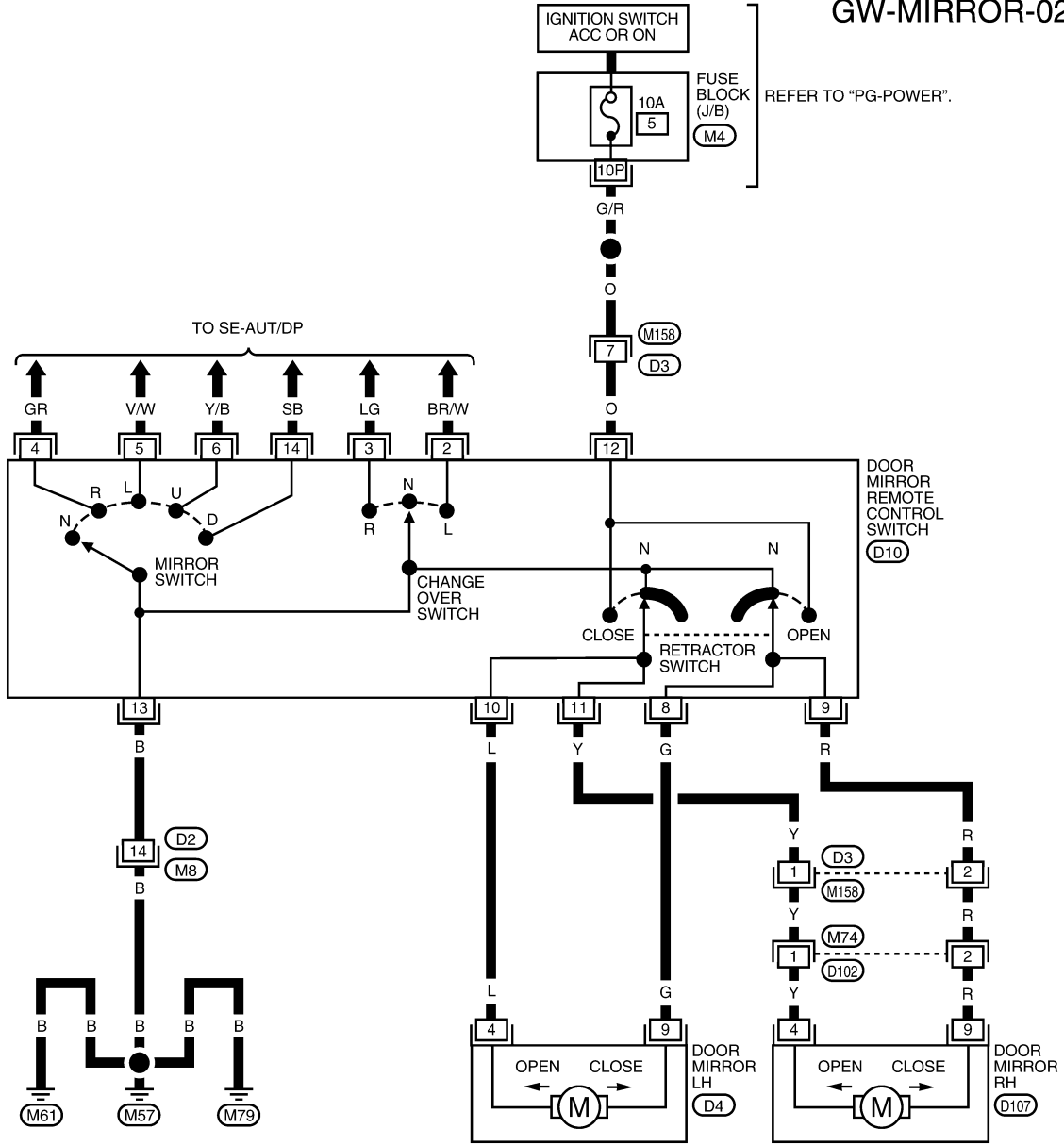
WIWA2063E

DOOR MIRROR

< REMOVAL AND INSTALLATION >

With Power Folding Mirrors

GW-MIRROR-02



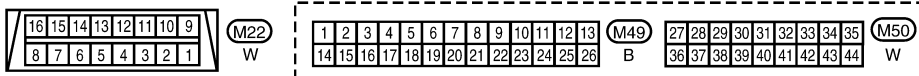
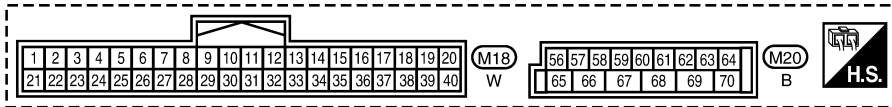
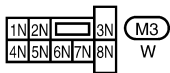
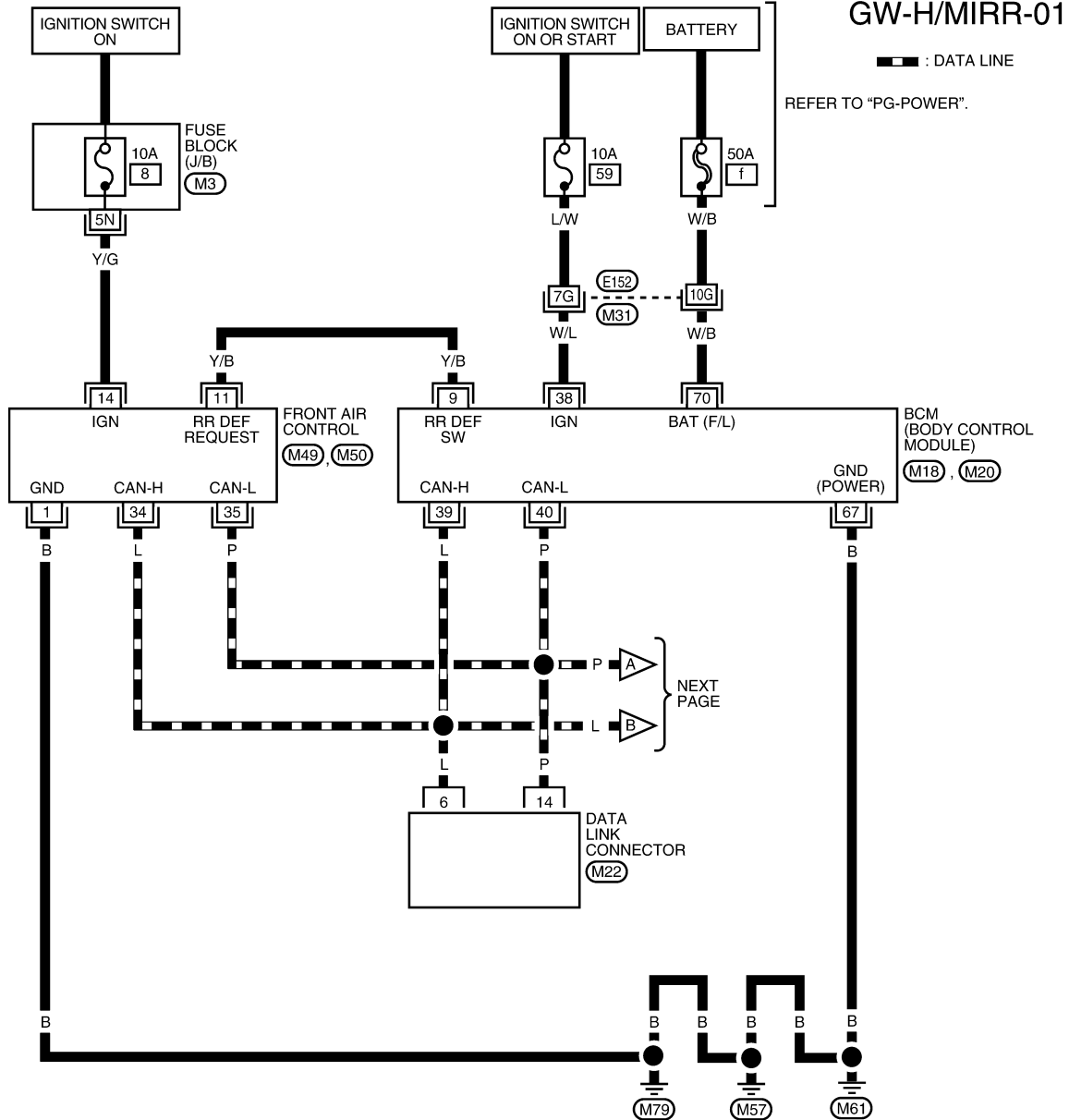
WIWA2064E

DOOR MIRROR

< REMOVAL AND INSTALLATION >

Wiring Diagram - H/MIRR -

INFOID:000000001337817



REFER TO THE FOLLOWING.

M31 - SUPER MULTIPLE JUNCTION (SMJ)

WIWA1387E

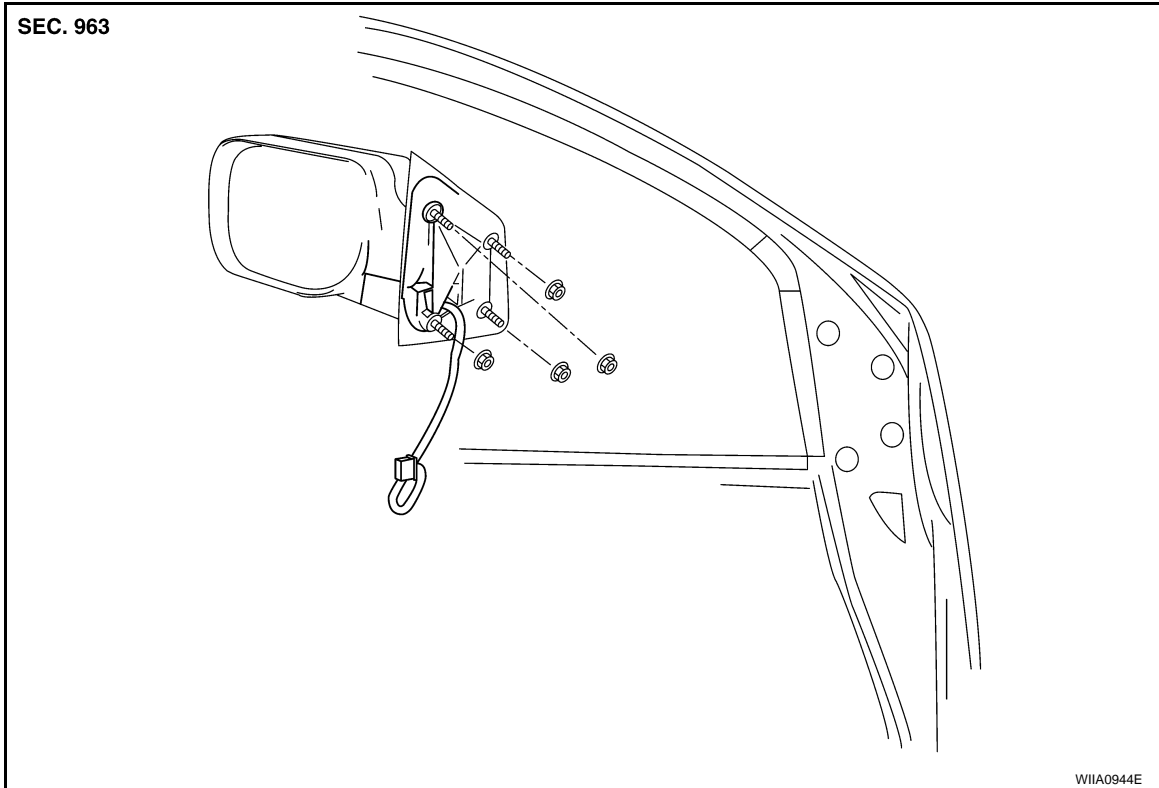
DOOR MIRROR

< REMOVAL AND INSTALLATION >

Door Mirror Assembly

INFOID:000000001337818

STANDARD MIRROR



Removal

1. Remove the front door finisher. Refer to [INT-10. "Removal and Installation"](#).
2. Disconnect the mirror connector.
3. Remove the door mirror assembly.

Installation

Installation is in the reverse order of removal.

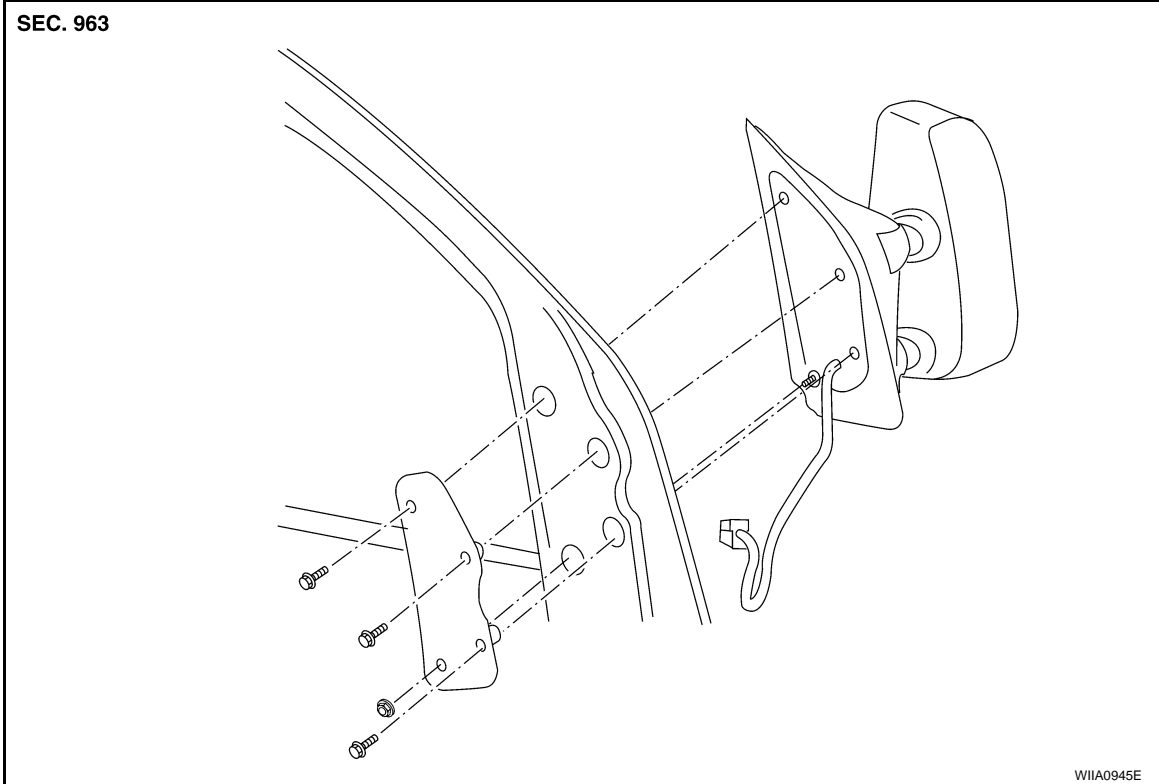
A
B
C
D
E
F
G
H
I
J
K
L
M
N
O
P

MIR

DOOR MIRROR

< REMOVAL AND INSTALLATION >

TRAILER TOW MIRROR



Removal

1. Remove the front door sash cover. Refer to [INT-10. "Removal and Installation"](#).
2. Remove the door mirror connector.
3. Remove the door mirror bolts and nut, and remove the door mirror assembly.

Installation

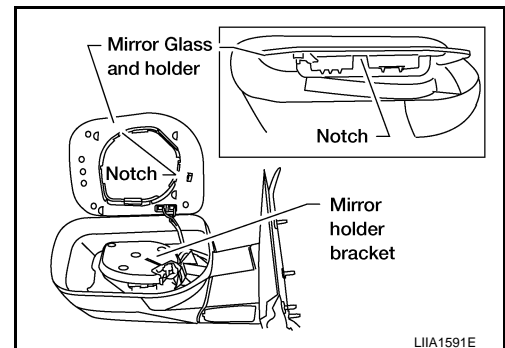
Installation is in the reverse order of removal.

Door Mirror Glass

INFOID:000000001337819

REMOVAL

1. Set mirror assembly mirror glass upward.
2. Apply protective tape to mirror housing.
3. Insert a suitable tool at notch and gently pry mirror glass and holder from mirror holder bracket.
4. Disconnect two electrical connectors from mirror glass and holder.

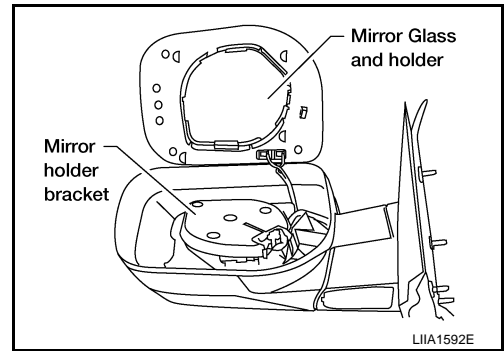


INSTALLATION

DOOR MIRROR

< REMOVAL AND INSTALLATION >

1. Set mirror holder bracket and mirror glass and holder in the horizontal position.
2. Connect the two connectors to the back of the mirror holder.
3. Align mirror glass and holder with mirror holder bracket and push mirror glass and holder onto mirror holder bracket.
4. Rotate mirror to ensure proper installation.



A

B

C

D

E

F

G

H

I

J

K

MIR

M

N

O

P