

SECTION **PG**

POWER SUPPLY, GROUND & CIRCUIT ELEMENTS

CONTENTS

PRECAUTIONS	3	GROUND CIRCUIT	29
Precautions for Supplemental Restraint System (SRS) "AIR BAG" and "SEAT BELT PRE-TENSIONER"	3	Ground Distribution	29
Wiring Diagrams and Trouble Diagnosis	3	MAIN HARNESS	29
POWER SUPPLY ROUTING CIRCUIT	4	ENGINE ROOM HARNESS	32
Schematic	4	ENGINE CONTROL HARNESS	35
Wiring Diagram — POWER —	6	BODY HARNESS	36
BATTERY POWER SUPPLY — IGNITION SW. IN ANY POSITION	6	BODY NO. 2 HARNESS	37
ACCESSORY POWER SUPPLY — IGNITION SW. IN ACC OR ON	11	HARNESS	38
IGNITION POWER SUPPLY — IGNITION SW. IN ON	12	Harness Layout	38
IGNITION POWER SUPPLY — IGNITION SW. IN ON AND/OR START	13	HOW TO READ HARNESS LAYOUT	38
IPDM E/R (INTELLIGENT POWER DISTRIBUTION MODULE ENGINE ROOM)	16	OUTLINE (KING CAB MODELS)	39
System Description	16	OUTLINE (CREW CAB MODELS)	40
SYSTEMS CONTROLLED BY IPDM E/R	16	MAIN HARNESS	41
CAN COMMUNICATION LINE CONTROL	16	ENGINE ROOM HARNESS (LH VIEW)	43
IPDM E/R STATUS CONTROL	17	ENGINE ROOM HARNESS (RH VIEW)	46
CAN Communication System Description	17	ENGINE CONTROL HARNESS	48
Function of Detecting Ignition Relay Malfunction ...	17	CHASSIS HARNESS	50
CONSULT-II Function	18	BODY HARNESS (KING CAB MODELS)	52
CONSULT-II BASIC OPERATION	18	BODY HARNESS (CREW CAB MODELS)	54
SELF-DIAGNOSTIC RESULTS	19	BODY NO. 2 HARNESS (KING CAB MODELS)..	56
DATA MONITOR	19	BODY NO. 2 HARNESS (CREW CAB MODELS)..	58
ACTIVE TEST	21	ROOM LAMP HARNESS	60
Auto Active Test	22	FRONT DOOR HARNESS LH	61
DESCRIPTION	22	FRONT DOOR HARNESS RH	61
OPERATION PROCEDURE	22	REAR DOOR HARNESS LH (CREW CAB MODELS)	62
INSPECTION IN AUTO ACTIVE TEST MODE... ..	22	REAR DOOR HARNESS RH (CREW CAB MODELS)	62
Schematic	24	Wiring Diagram Codes (Cell Codes)	63
IPDM E/R Terminal Arrangement	25	ELECTRICAL UNITS LOCATION	65
IPDM E/R Power/Ground Circuit Inspection	26	Electrical Units Location	65
Inspection with CONSULT-II (Self-Diagnosis)	27	ENGINE COMPARTMENT	65
Removal and Installation of IPDM E/R	28	PASSENGER COMPARTMENT	66
REMOVAL	28	Fuse	68
INSTALLATION	28	Fusible Link	68
		Circuit Breaker (Built Into BCM)	68
		HARNESS CONNECTOR	69
		Description	69
		HARNESS CONNECTOR (TAB-LOCKING	

TYPE)	69	MIXED TYPE RELAYS	73
HARNESS CONNECTOR (SLIDE-LOCKING TYPE)	70	TYPE OF STANDARDIZED RELAYS	73
HARNESS CONNECTOR (DIRECT-CONNECT SRS COMPONENT TYPE)	71	SUPER MULTIPLE JUNCTION (SMJ)	75
ELECTRICAL UNITS	72	Terminal Arrangement	75
Terminal Arrangement	72	FUSE BLOCK-JUNCTION BOX(J/B)	77
STANDARDIZED RELAY	73	Terminal Arrangement	77
Description	73	FUSE AND FUSIBLE LINK BOX	78
NORMAL OPEN, NORMAL CLOSED AND		Terminal Arrangement	78
		FUSE AND RELAY BOX	79
		Terminal Arrangement	79

PRECAUTIONS

PRECAUTIONS

PFP:00011

Precautions for Supplemental Restraint System (SRS) “AIR BAG” and “SEAT BELT PRE-TENSIONER”

EKS007QA

The Supplemental Restraint System such as “AIR BAG” and “SEAT BELT PRE-TENSIONER”, used along with a front seat belt, helps to reduce the risk or severity of injury to the driver and front passenger for certain types of collision. This system includes seat belt switch inputs and dual stage front air bag modules. The SRS system uses the seat belt switches to determine the front air bag deployment, and may only deploy one front air bag, depending on the severity of a collision and whether the front occupants are belted or unbelted. Information necessary to service the system safely is included in the SRS and SB section of this Service Manual.

WARNING:

- To avoid rendering the SRS inoperative, which could increase the risk of personal injury or death in the event of a collision which would result in air bag inflation, all maintenance must be performed by an authorized NISSAN/INFINITI dealer.
- Improper maintenance, including incorrect removal and installation of the SRS, can lead to personal injury caused by unintentional activation of the system. For removal of Spiral Cable and Air Bag Module, see the SRS section.
- Do not use electrical test equipment on any circuit related to the SRS unless instructed to in this Service Manual. SRS wiring harnesses can be identified by yellow and/or orange harnesses or harness connectors.

Wiring Diagrams and Trouble Diagnosis

EKS007QB

When you read wiring diagrams, refer to the following:

- Refer to [GI-15, "How to Read Wiring Diagrams"](#) in GI section.
- Refer to [PG-4, "POWER SUPPLY ROUTING CIRCUIT"](#) for power distribution.

When you perform trouble diagnosis, refer to the following:

- Refer to [GI-11, "HOW TO FOLLOW TEST GROUPS IN TROUBLE DIAGNOSES"](#) in GI section.
- Refer to [GI-27, "How to Perform Efficient Diagnosis for an Electrical Incident"](#) in GI section.

A

B

C

D

E

F

G

H

I

J

PG

L

M

POWER SUPPLY ROUTING CIRCUIT

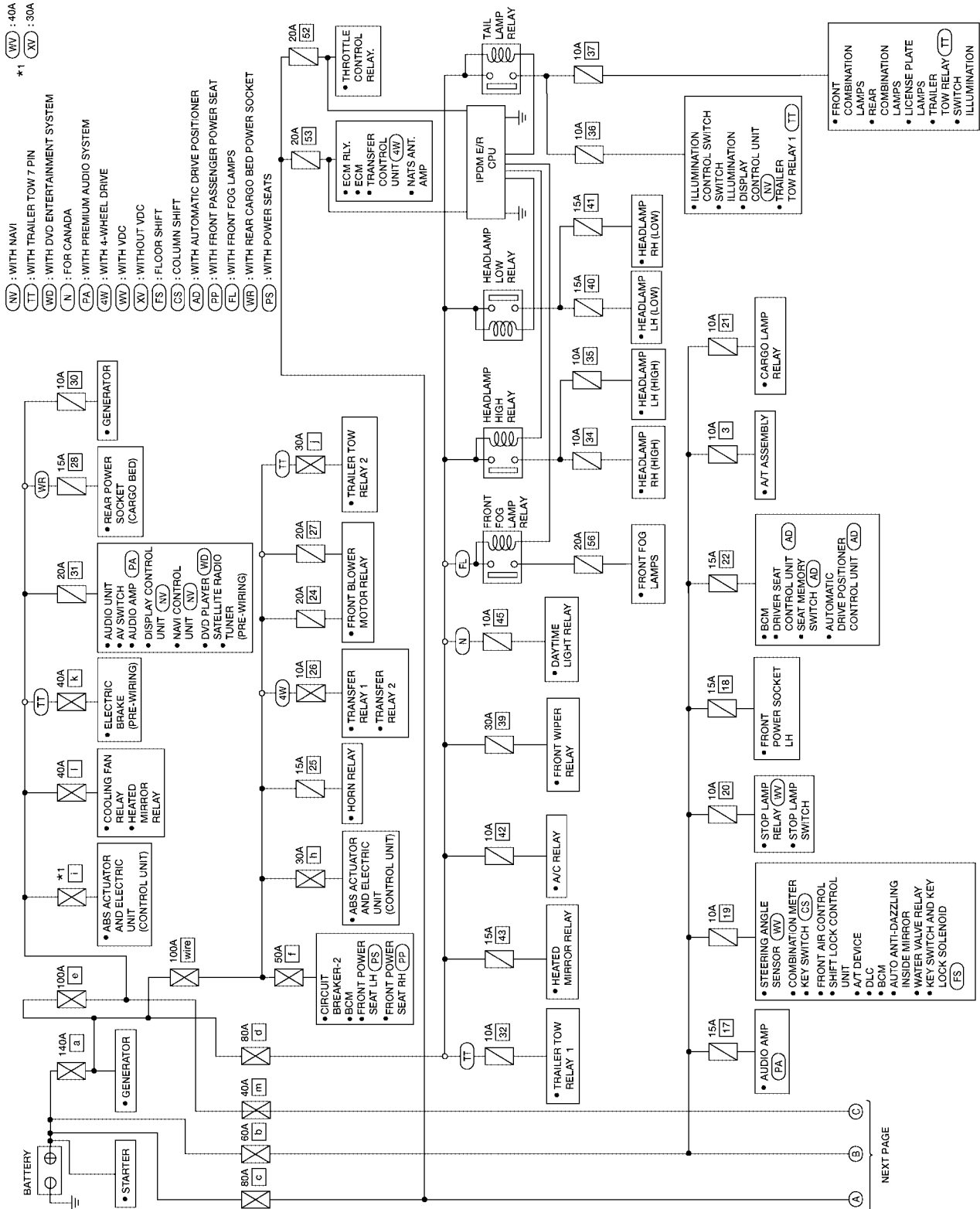
PF:24110

EKS0070C

POWER SUPPLY ROUTING CIRCUIT

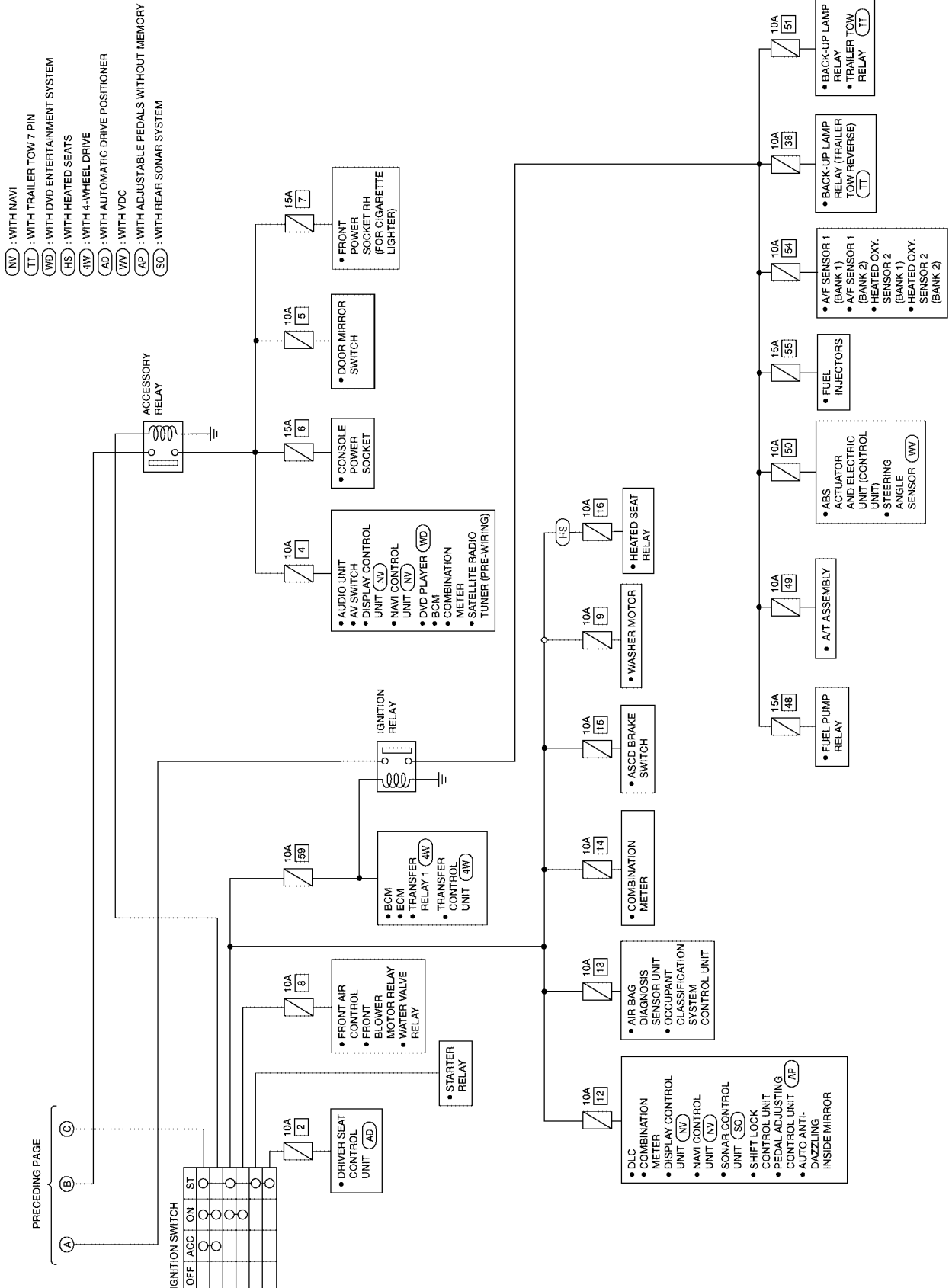
Schematic

For detailed ground distribution, refer to [PG-29, "Ground Distribution"](#).



WKWA1598E

POWER SUPPLY ROUTING CIRCUIT



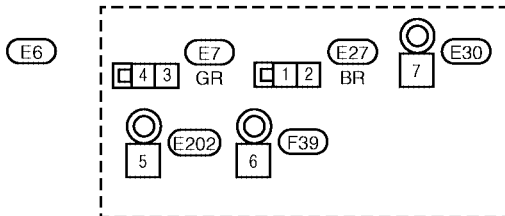
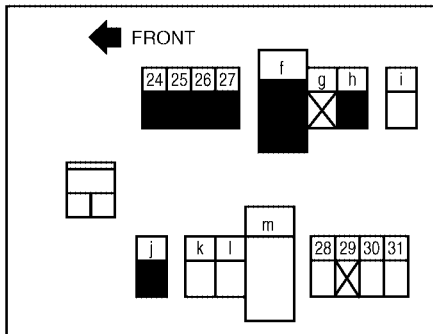
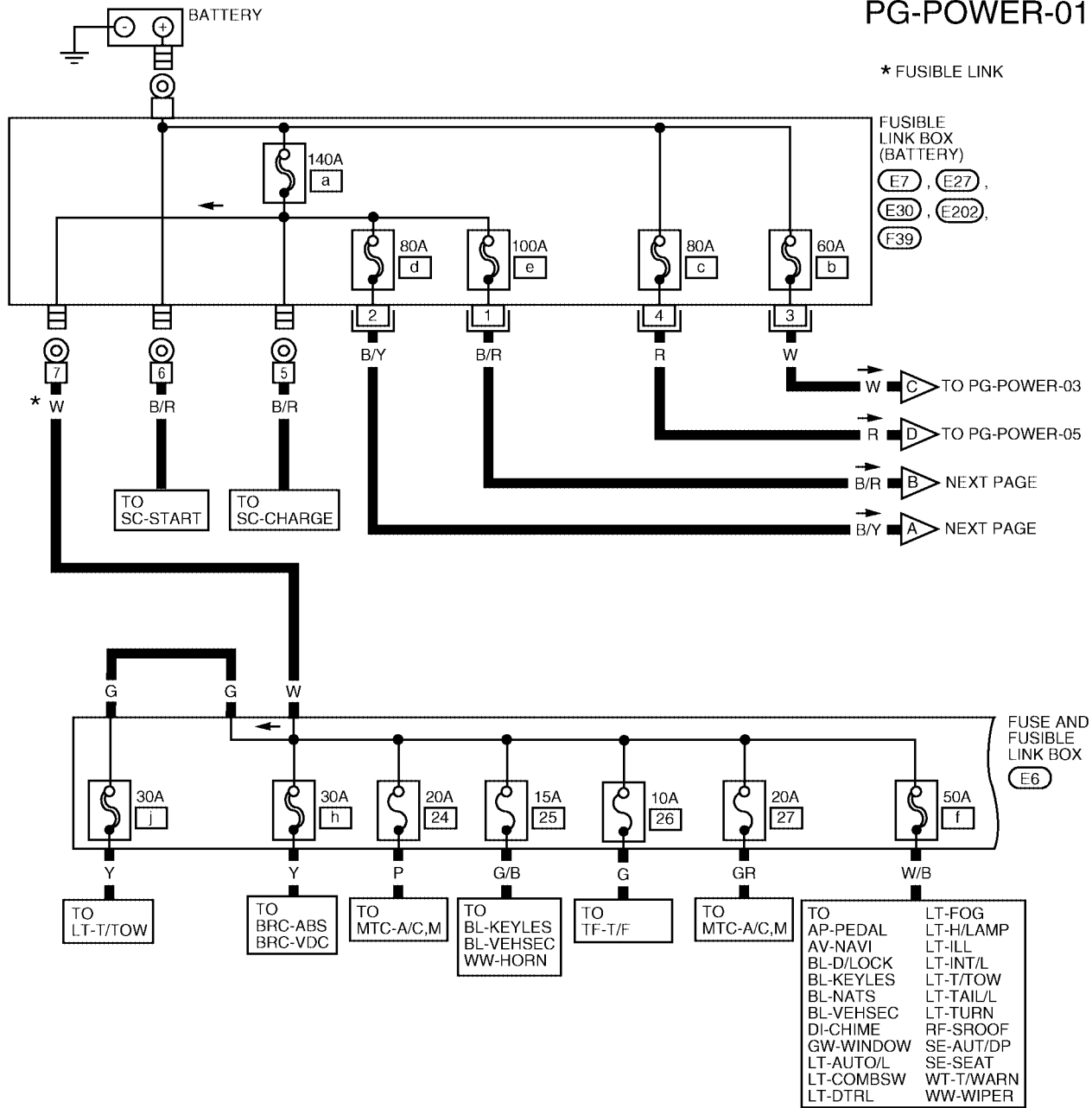
A
B
C
D
E
F
G
H
I
J
PG
L
M

POWER SUPPLY ROUTING CIRCUIT

Wiring Diagram — POWER — BATTERY POWER SUPPLY — IGNITION SW. IN ANY POSITION

EKS007QD

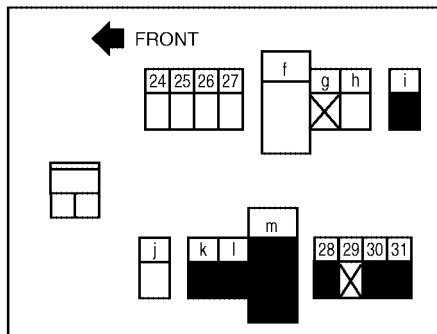
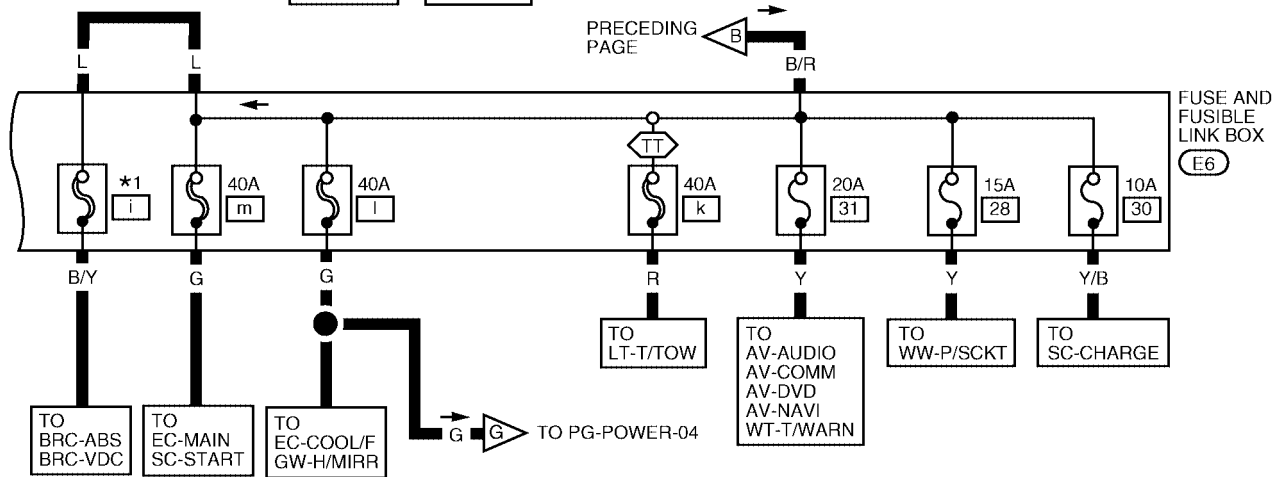
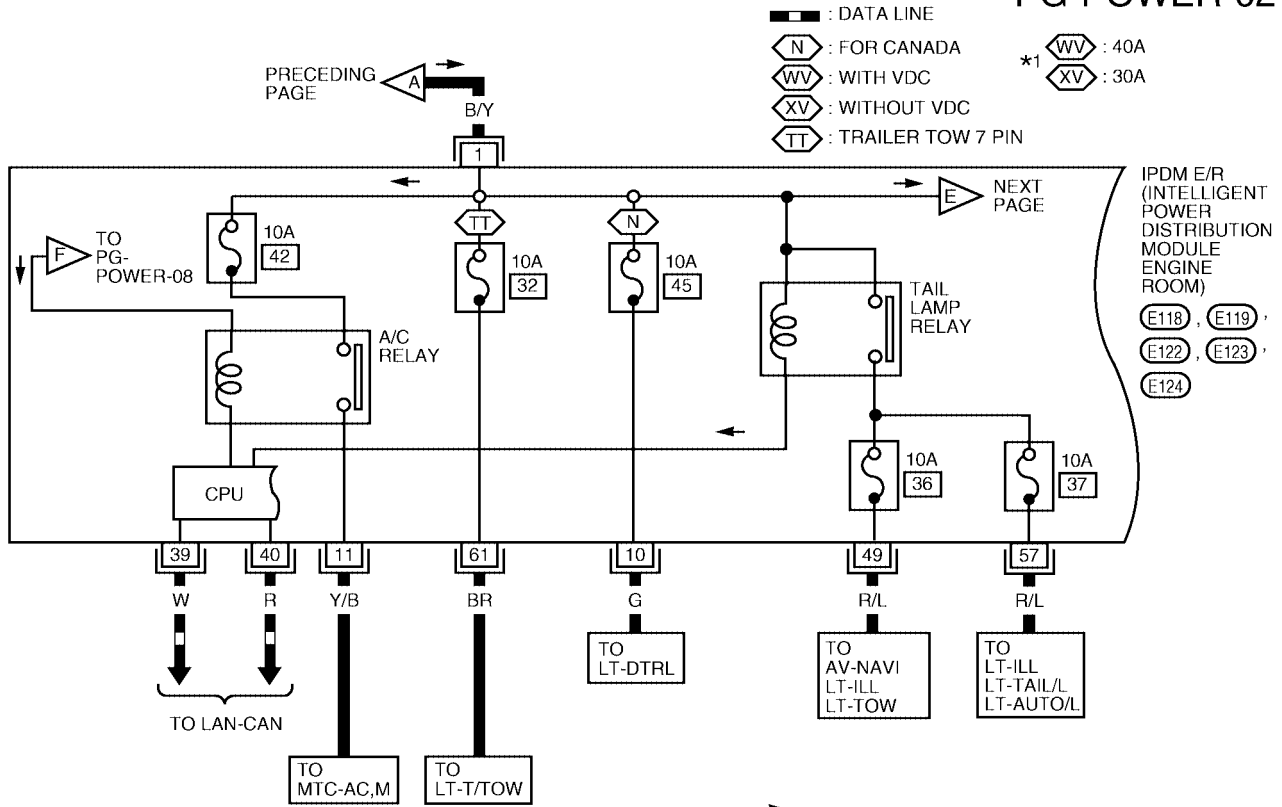
PG-POWER-01



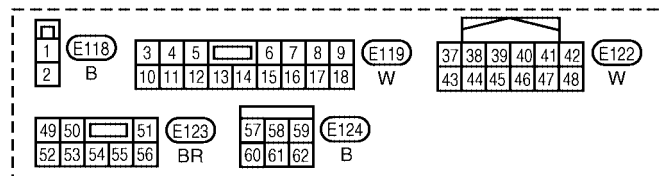
WKWA1600E

POWER SUPPLY ROUTING CIRCUIT

PG-POWER-02



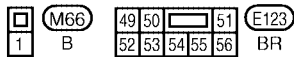
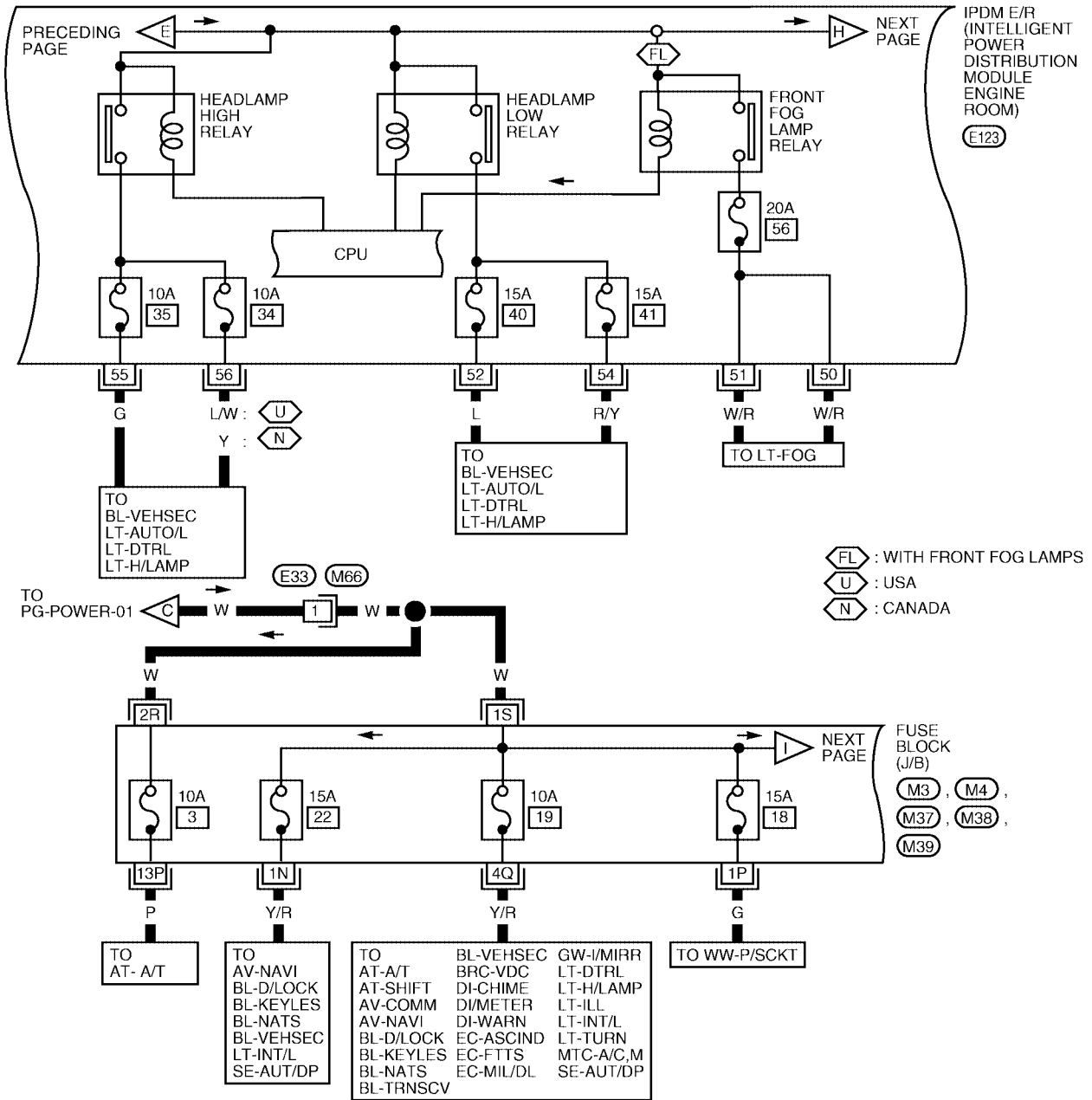
(E6)



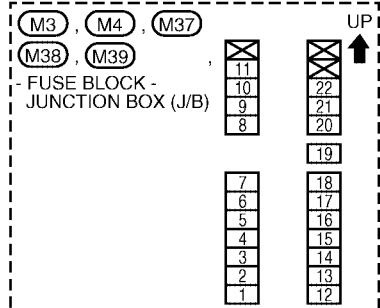
WKWA1601E

POWER SUPPLY ROUTING CIRCUIT

PG-POWER-03



REFER TO THE FOLLOWING.

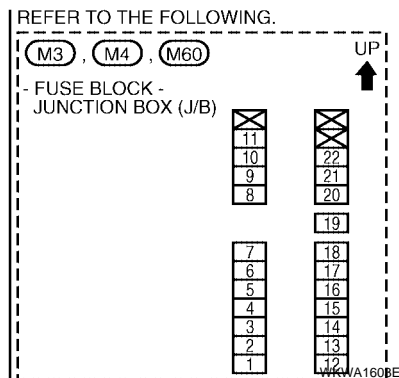
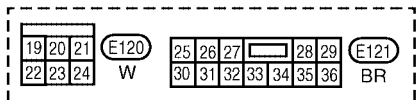
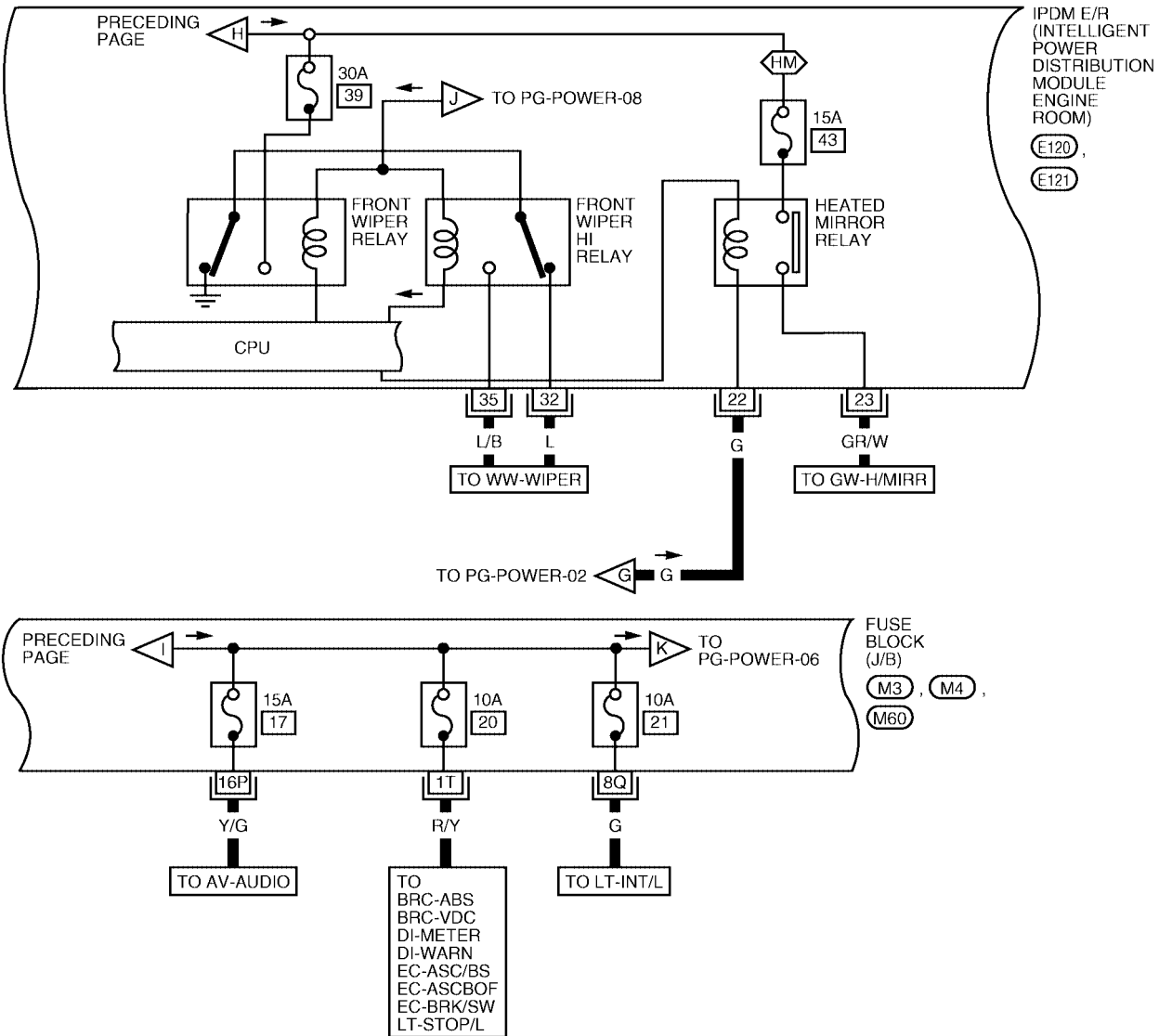


WKWA1602E

POWER SUPPLY ROUTING CIRCUIT

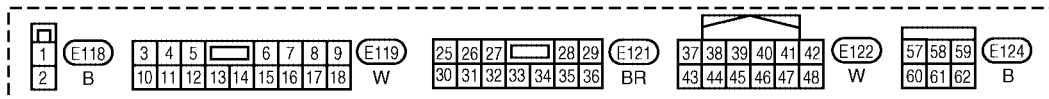
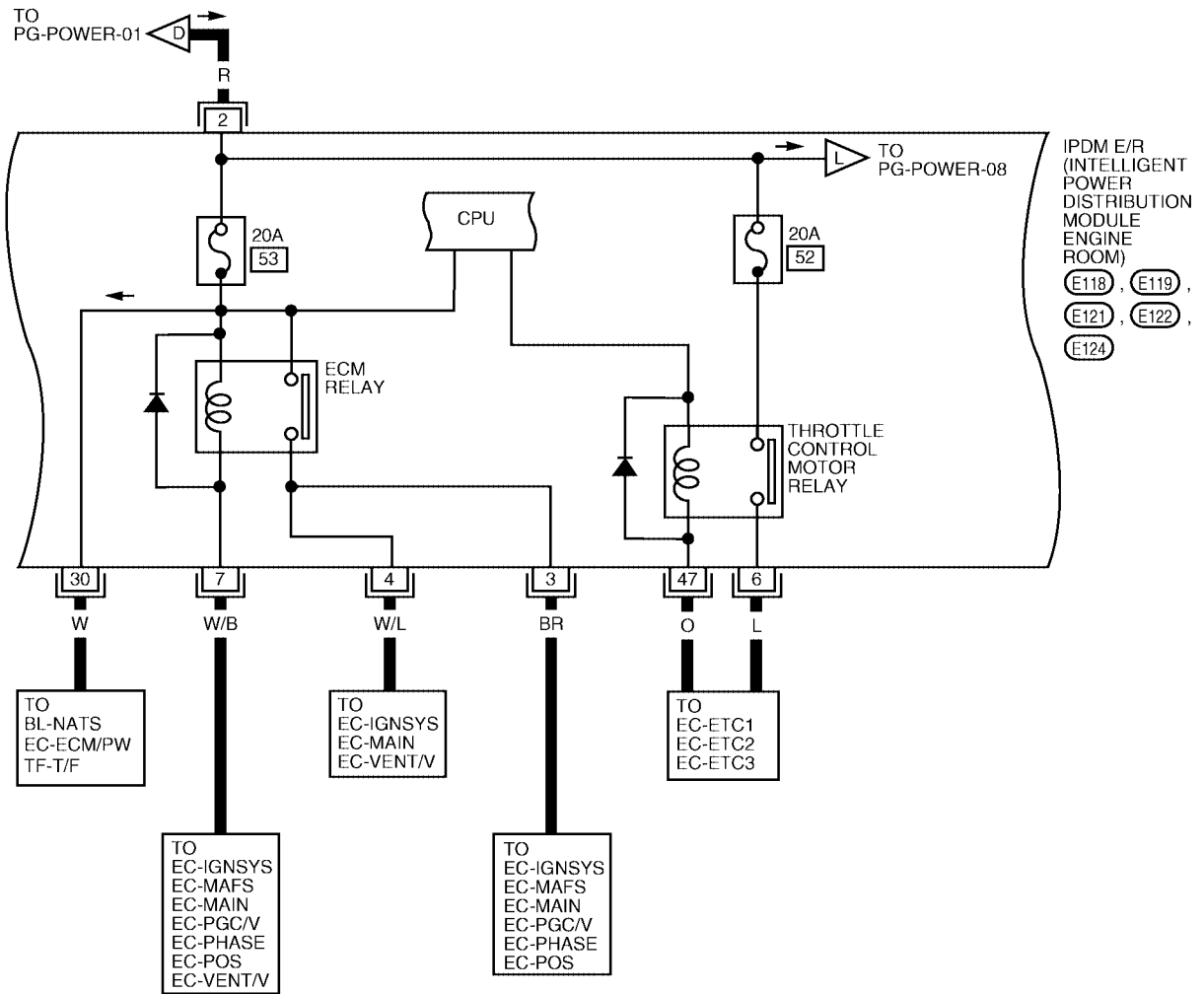
PG-POWER-04

HM : WITH HEATED MIRRORS



POWER SUPPLY ROUTING CIRCUIT

PG-POWER-05

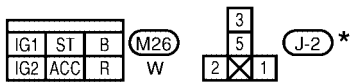
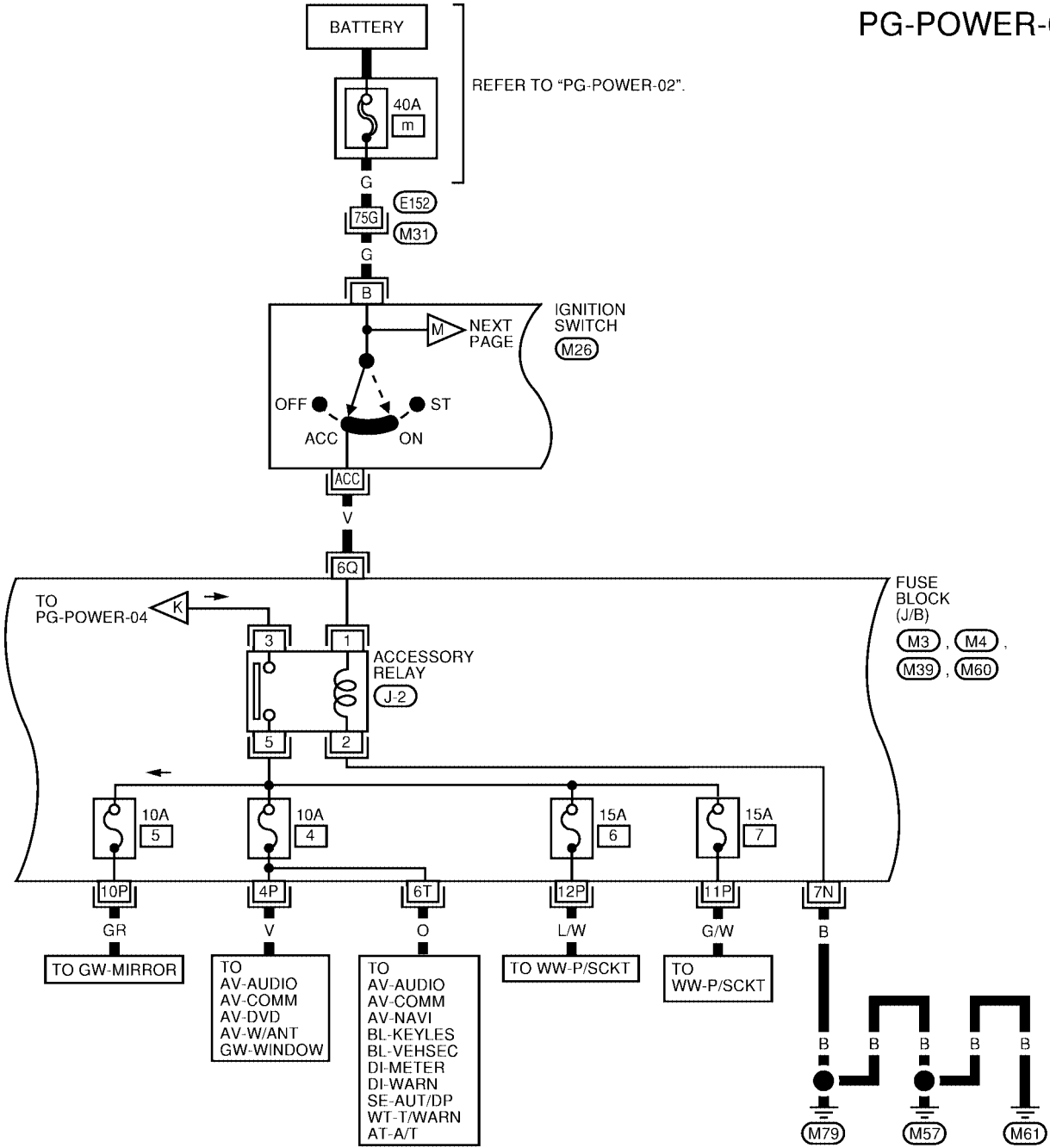


WKWA1604E

POWER SUPPLY ROUTING CIRCUIT

ACCESSORY POWER SUPPLY — IGNITION SW. IN ACC OR ON

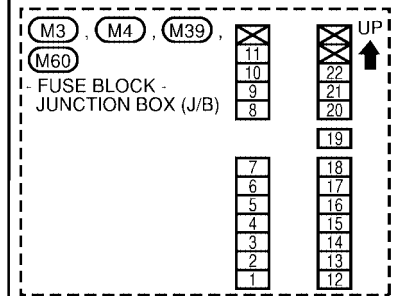
PG-POWER-06



* : THIS CONNECTOR IS NOT SHOWN IN "HARNESS LAYOUT".

REFER TO THE FOLLOWING.

(M31) - SUPER MULTIPLE JUNCTION (SMJ)

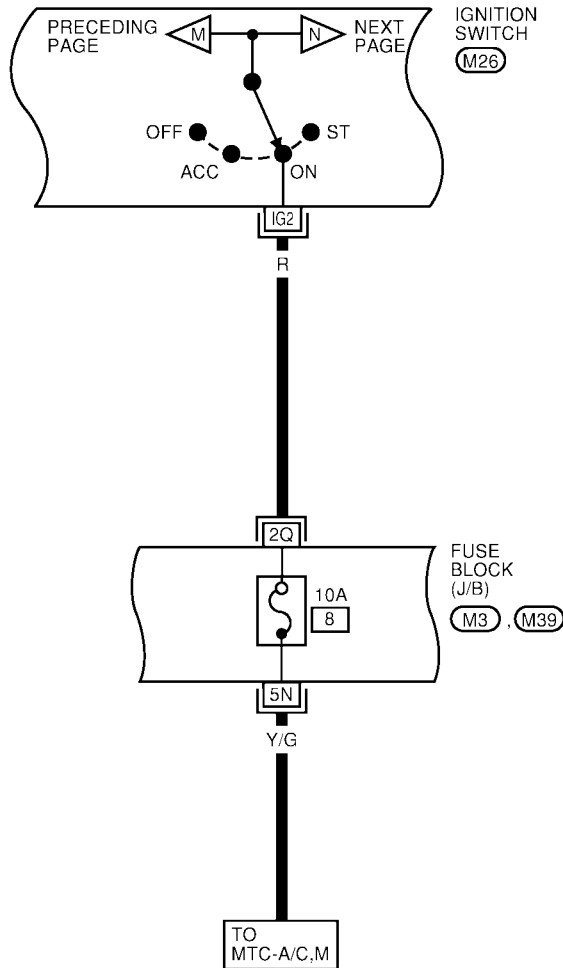


WKWA1605E

POWER SUPPLY ROUTING CIRCUIT

IGNITION POWER SUPPLY — IGNITION SW. IN ON

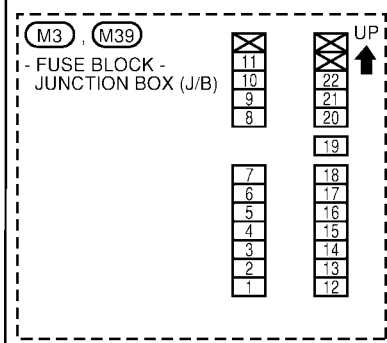
PG-POWER-07



IG1	ST	B	(M26)
IG2	ACC	R	

W

REFER TO THE FOLLOWING.



WKWA1606E

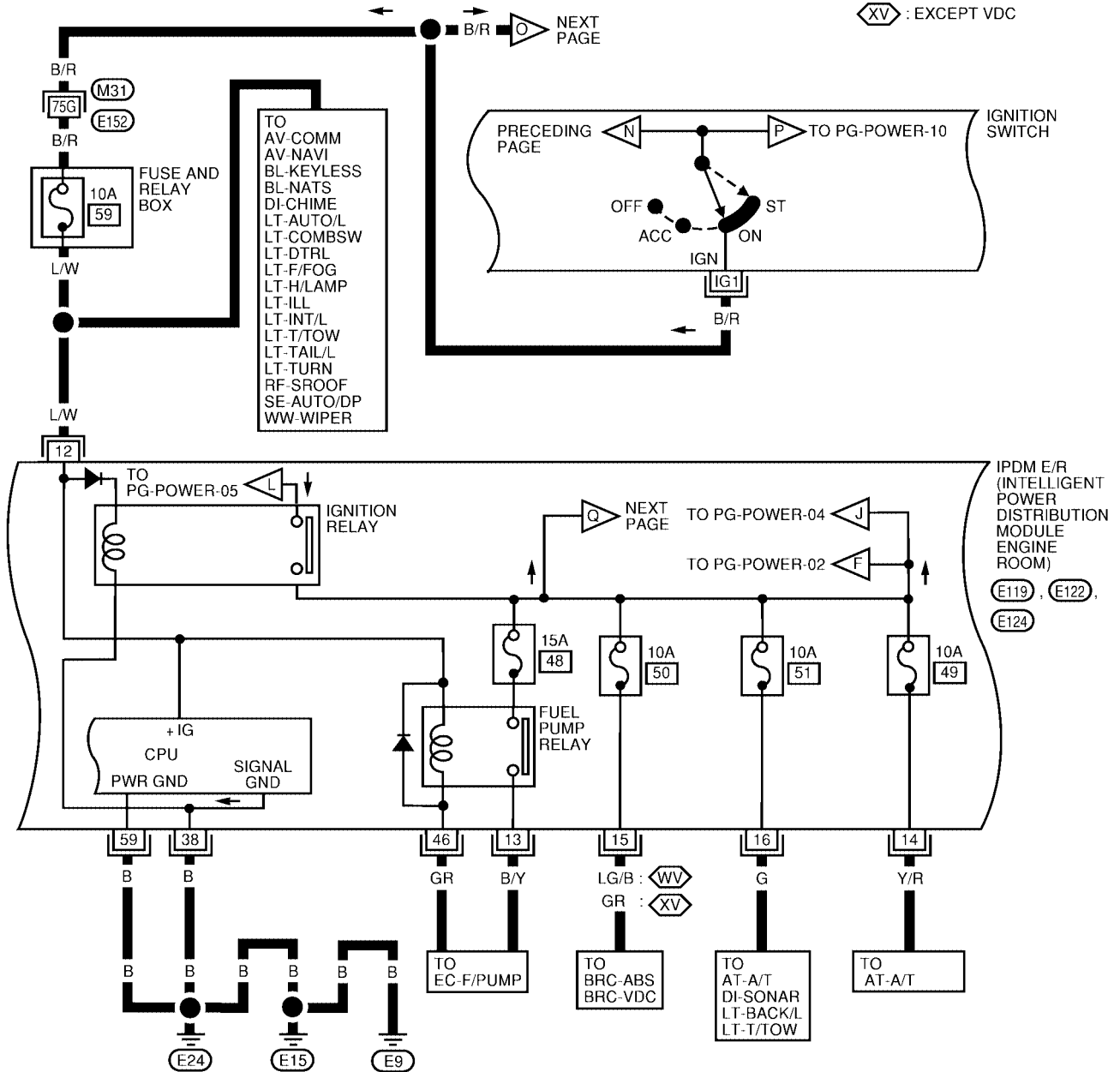
POWER SUPPLY ROUTING CIRCUIT

IGNITION POWER SUPPLY — IGNITION SW. IN ON AND/OR START

PG-POWER-08

WV : WITH VDC

XV : EXCEPT VDC

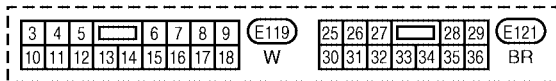
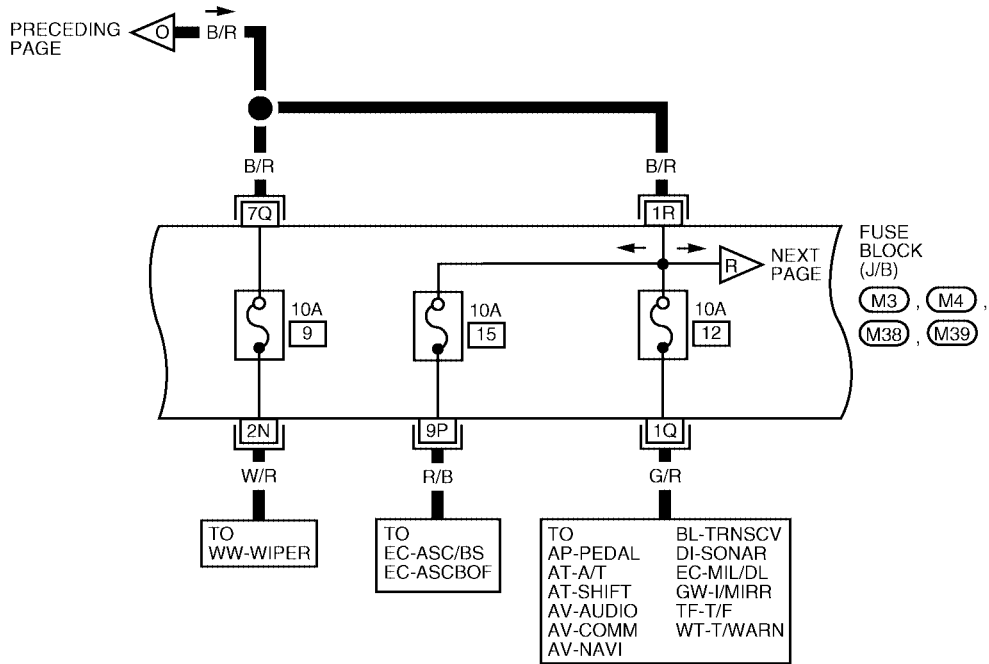
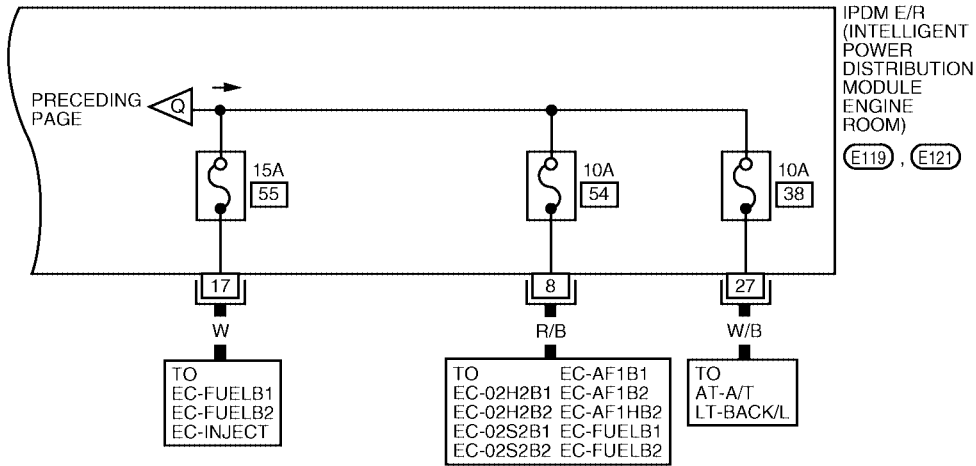


IG1	ST	B	M26	3	4	5	6	7	8	9	E119	37	38	39	40	41	42	E122	57	58	59	E124
IG2	ACC	R																				

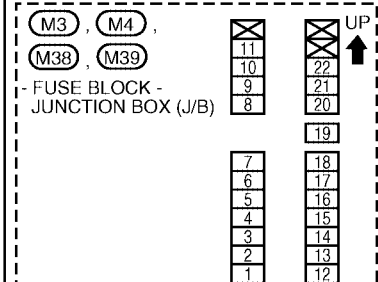
WKWA1607E

POWER SUPPLY ROUTING CIRCUIT

PG-POWER-09



REFER TO THE FOLLOWING.

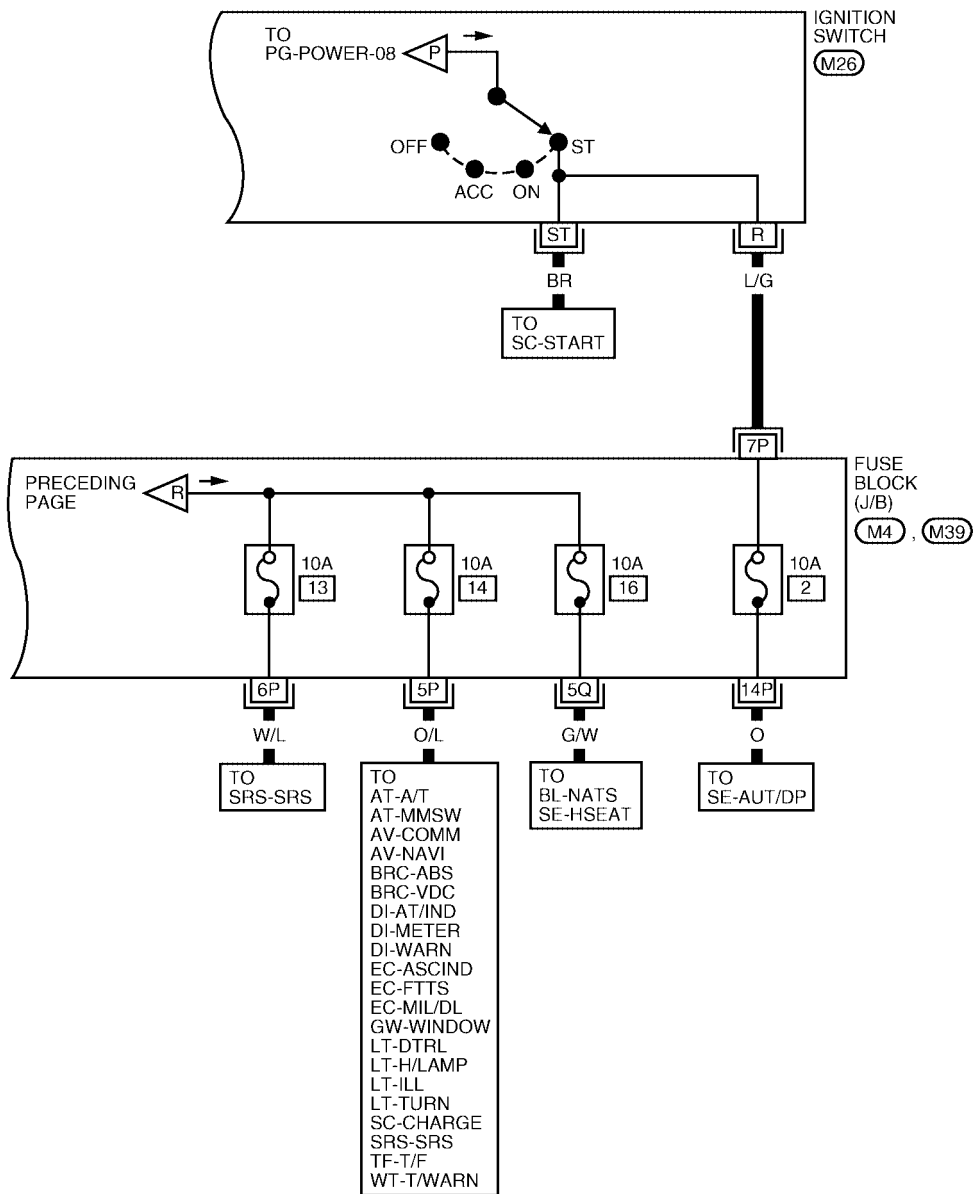


WKWA1608E

POWER SUPPLY ROUTING CIRCUIT

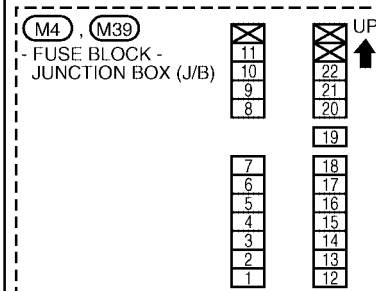
PG-POWER-10

A
B
C
D
E
F
G
H
I
J
PG
L
M



IG1	ST	B	M26 W
IG2	ACC	R	

REFER TO THE FOLLOWING.



WKWA1609E

IPDM E/R (INTELLIGENT POWER DISTRIBUTION MODULE ENGINE ROOM)

IPDM E/R (INTELLIGENT POWER DISTRIBUTION MODULE ENGINE ROOM)

PPF:284B7

System Description

EKS007QE

- IPDM E/R (Intelligent Power Distribution Module Engine Room) integrates the relay box and fuse block which were originally placed in engine compartment. It controls integrated relays via IPDM E/R control circuits.
- IPDM E/R-integrated control circuits perform ON-OFF operation of relays, CAN communication control, etc.
- It controls operation of each electrical component via ECM, BCM and CAN communication lines.

CAUTION:

None of the IPDM E/R integrated relays can be removed.

SYSTEMS CONTROLLED BY IPDM E/R

1. Lamp control
Using CAN communication lines, it receives signals from the BCM and controls the following lamps:
 - Headlamps (Hi, Lo)
 - Parking lamps
 - Tail lamps and license lamps
 - Front fog lamps
2. Wiper control
Using CAN communication lines, it receives signals from the BCM and controls the front wipers.
3. Heated mirror relay control
Using CAN communication lines, it receives signals from the BCM and controls the heated mirror relay.
4. A/C compressor control
Using CAN communication lines, it receives signals from the ECM and controls the A/C compressor (magnetic clutch).
5. Starter control
Using CAN communication lines, it receives signals from the ECM and controls the starter relay.
6. Cooling fan control
Using CAN communication lines, it receives signals from the ECM and controls the cooling fan relays.
7. Horn control
Using CAN communication lines, it receives signals from the BCM and controls the horn relay.

CAN COMMUNICATION LINE CONTROL

With CAN communication, by connecting each control unit using two communication lines (CAN L-line, CAN H-line), it is possible to transmit a maximum amount of information with minimum wiring. Each control unit can transmit and receive data, and reads necessary information only.

1. Fail-safe control
 - When CAN communication with other control units is impossible, IPDM E/R performs fail-safe control. After CAN communication returns to normal operation, it also returns to normal control.
 - Operation of control parts by IPDM E/R during fail-safe mode is as follows:

Controlled system	Fail-safe mode
Headlamp	<ul style="list-style-type: none">● With the ignition switch ON, the headlamp (low) is ON.● With the ignition switch OFF, the headlamp (low) is OFF.
Tail and parking lamps	<ul style="list-style-type: none">● With the ignition switch ON, the tail and parking lamps are ON.● With the ignition switch OFF, the tail and parking lamps are OFF.
Cooling fan	<ul style="list-style-type: none">● With the ignition switch ON, the cooling fan HI operates.● With the ignition switch OFF, the cooling fan stops.
Front wiper	Until the ignition switch is turned off, the front wiper LO and HI remains in the same status it was in just before fail-safe control was initiated.
Heated mirrors	Heated mirror relay OFF
A/C compressor	A/C compressor OFF
Front fog lamps	Front fog lamp relay OFF

IPDM E/R (INTELLIGENT POWER DISTRIBUTION MODULE ENGINE ROOM)

IPDM E/R STATUS CONTROL

In order to save power, IPDM E/R switches status by itself based on each operating condition.

1. CAN communication status
 - CAN communication is normally performed with other control units.
 - Individual unit control by IPDM E/R is normally performed.
 - When sleep request signal is received from BCM, mode is switched to sleep waiting status.
2. Sleep waiting status
 - Process to stop CAN communication is activated.
 - All systems controlled by IPDM E/R are stopped. When 1 second has elapsed after CAN communication with other control units is stopped, mode switches to sleep status.
3. Sleep status
 - IPDM E/R operates in low current-consumption mode.
 - CAN communication is stopped.
 - When a change in CAN communication signal is detected, mode switches to CAN communication status.
 - When a change in ignition switch signal is detected, mode switches to CAN communication status.

CAN Communication System Description

EKS007QF

Refer to [LAN-8. "CAN COMMUNICATION"](#) .

Function of Detecting Ignition Relay Malfunction

EKS007QG

- When the integrated ignition relay is stuck in a "closed contact" position and cannot be turned OFF, IPDM E/R turns ON tail and parking lamps for 10 minutes to indicate IPDM E/R malfunction.
- When the state of the integrated ignition relay does not agree with the state of the ignition switch signal received via CAN communication, the IPDM E/R activates the tail lamp relay.

Ignition switch signal	Ignition relay status	Tail lamp relay
ON	ON	—
OFF	OFF	—
ON	OFF	—
OFF	ON	ON (10 minutes)

NOTE:

When the ignition switch is turned ON, the tail lamps are OFF.

IPDM E/R (INTELLIGENT POWER DISTRIBUTION MODULE ENGINE ROOM)

EKS007QH

CONSULT-II Function

- CONSULT-II can display each diagnostic item using the diagnostic test modes shown following.

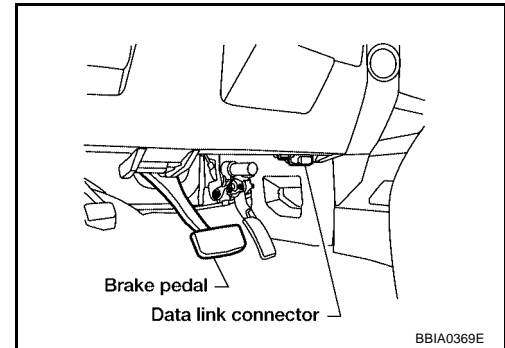
Inspection Item, Diagnosis Mode	Description
SELF-DIAG RESULTS	The IPDM E/R performs diagnosis of CAN communication and self-diagnosis.
DATA MONITOR	The input/output data of the IPDM E/R is displayed in real time.
ACTIVE TEST	The IPDM E/R sends a drive signal to electronic components to check their operation.
CAN DIAG SUPPORT MNTR	The result of transmit/receive diagnosis of CAN communication can be read.

CONSULT-II BASIC OPERATION

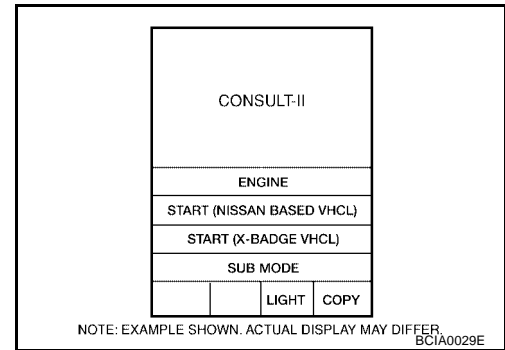
CAUTION:

If CONSULT-II is used with no connection of CONSULT-II CONVERTER, malfunctions might be detected in self-diagnosis depending on control unit which carry out CAN communication.

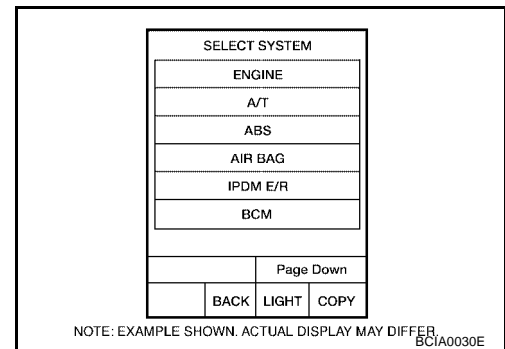
- With the ignition switch OFF, connect CONSULT-II and CONSULT-II CONVERTER to the data link connector, then turn ignition switch ON.



- Touch "START (NISSAN BASED VHCL)".

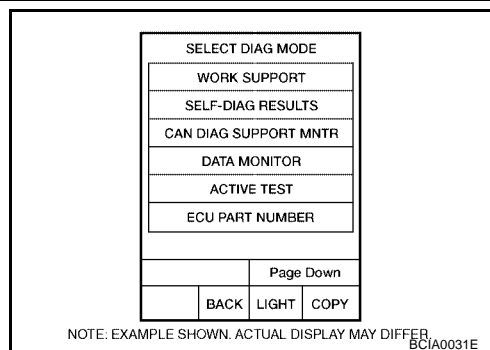


- Touch "IPDM E/R" on "SELECT SYSTEM" screen.
 - If "IPDM E/R" is not displayed, print "SELECT SYSTEM" screen, then refer to [LAN-6, "PRECAUTIONS"](#).



IPDM E/R (INTELLIGENT POWER DISTRIBUTION MODULE ENGINE ROOM)

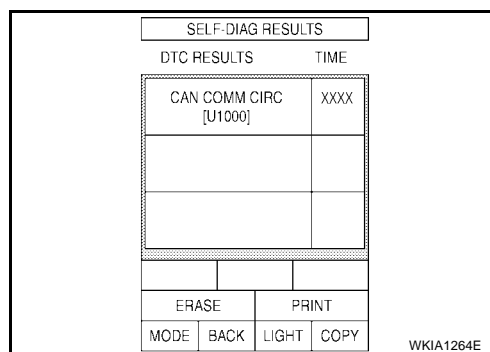
4. Select "SELF-DIAG RESULTS" or "DATA MONITOR".



SELF-DIAGNOSTIC RESULTS

Operation Procedure

1. Touch "SELF-DIAG RESULTS" on "SELECT DIAG MODE" screen.
2. Self-diagnosis results are displayed.



Display Item List

Display items	CONSULT-II display code	Malfunction detection	TIME		Possible causes
			CRNT	PAST	
NO DTC IS DETECTED. FURTHER TESTING MAY BE REQUIRED.	—	—	—	—	—
CAN COMM CIRC	U1000	<ul style="list-style-type: none"> ● If CAN communication reception/transmission data has a malfunction, or if any of the control units fail, data reception/transmission cannot be confirmed. ● When the data in CAN communication is not received before the specified time. 	X	X	Any of items listed below have errors: <ul style="list-style-type: none"> ● TRANSMIT DIAG ● ECM ● BCM/SEC

NOTE:

The details for display of the period are as follows:

- CRNT: Error currently detected with IPDM E/R.
- PAST: Error detected in the past and placed in IPDM E/R memory.

DATA MONITOR

Operation Procedure

1. Touch "DATA MONITOR" on "SELECT DIAG MODE" screen.
2. Touch "ALL SIGNALS", "MAIN SIGNALS" or "SELECT FROM MENU" on the "DATA MONITOR" screen.

ALL SIGNALS	All signals will be monitored.
MAIN SIGNALS	Monitors the predetermined item(s).
SELECT FROM MENU	Selects and monitors individual signal(s).

3. Touch "START".
4. Touch the required monitoring item on "SELECT ITEM MENU".

IPDM E/R (INTELLIGENT POWER DISTRIBUTION MODULE ENGINE ROOM)

5. Touch "RECORD" while monitoring to record the status of the item being monitored. To stop recording, touch "STOP".

IPDM E/R (INTELLIGENT POWER DISTRIBUTION MODULE ENGINE ROOM)

All Signals, Main Signals, Select From Menu

Item name	CONSULT-II screen display	Display or unit	Monitor item selection			Description
			ALL SIGNALS	MAIN SIGNALS	SELECT FROM MENU	
Motor fan request	MOTOR FAN REQ	1/2/3/4	X	X	X	Signal status input from ECM
Compressor request	AC COMP REQ	ON/OFF	X	X	X	Signal status input from ECM
Tail & clear request	TAIL & CLR REQ	ON/OFF	X	X	X	Signal status input from BCM
H/L LO request	HL LO REQ	ON/OFF	X	X	X	Signal status input from BCM
H/L HI request	HL HI REQ	ON/OFF	X	X	X	Signal status input from BCM
FR fog request	FR FOG REQ	ON/OFF	X	X	X	Signal status input from BCM
FR wiper request	FR WIP REQ	STOP/1LOW/LOW/HI	X	X	X	Signal status input from BCM
Wiper auto stop	WIP AUTO STOP	ACT P/STOP P	X	X	X	Output status of IPDM E/R
Wiper protection	WIP PROT	OFF/Block	X	X	X	Control status of IPDM E/R
Starter request	ST RLY REQ	ON/OFF	X		X	Status of input signal ^{NOTE}
Ignition relay status	IGN RLY	ON/OFF	X	X	X	Ignition relay status monitored with IPDM E/R
Rear defogger request (heated mirror)	RR DEF REQ	ON/OFF	X	X	X	Signal status input from BCM
Oil pressure switch	OIL P SW	OPEN/CLOSE	X		X	Signal status input from IPDM E/R
Hood switch	HOOD SW	OFF	X			Signal status input from IPDM E/R (function is not enabled)
Theft warning horn request	THFT HRN REQ	ON/OFF	X		X	Signal status input from BCM
Horn chirp	HORN CHIRP	ON/OFF	X		X	Output status of IPDM E/R
Daytime running lamp request	DTRL REQ	ON/OFF	X		X	Signal status input from BCM

NOTE:

Perform monitoring of IPDM E/R data with the ignition switch ON. When the ignition switch is in ACC position, display may not be correct.

ACTIVE TEST

Operation Procedure

1. Touch "ACTIVE TEST" on "SELECT DIAG-MODE" screen.
2. Touch item to be tested, and check operation.
3. Touch "START".
4. Touch "STOP" while testing to stop the operation.

Test name	CONSULT-II screen display	Description
Heated mirror	REAR DEFOGGER	With a certain ON-OFF operation, the heated mirror relay can be operated.
Front wiper (HI, LO) output	FRONT WIPER	With a certain operation (OFF, HI ON, LO ON), the front wiper relay (Lo, Hi) can be operated.
Cooling fan output	MOTOR FAN	With a certain operation (1, 2, 3, 4), the cooling fan can be operated.
Lamp (HI, LO, TAIL, FOG) output	EXTERNAL LAMPS	With a certain operation (OFF, HI ON, LO ON, TAIL ON, FOG ON), the lamp relay (Low, High, Tail, Fog) can be operated.

IPDM E/R (INTELLIGENT POWER DISTRIBUTION MODULE ENGINE ROOM)

Test name	CONSULT-II screen display	Description
Cornering lamp output	CORNERING LAMP	—
Horn output	HORN	With a certain ON-OFF operation, the horn relay can be operated.

Auto Active Test DESCRIPTION

EKS007QI

- In auto active test mode, operation inspection can be performed when IPDM E/R sends a drive signal to the following systems:
 - Front wipers
 - Tail, parking, and license lamps
 - Front fog lamps
 - Headlamps (Hi, Lo) (Daytime light system if equipped)
 - A/C compressor (magnetic clutch)
 - Cooling fan

OPERATION PROCEDURE

1. Close hood and front door RH, and lift wiper arms away from windshield (to prevent glass damage by wiper operation).

NOTE:

When auto active test is performed with hood opened, sprinkle water on windshield beforehand.

2. Turn ignition switch OFF.
3. Turn ignition switch ON and, within 20 seconds, press front door switch LH 10 times. Then turn ignition switch OFF.
4. Turn ignition switch ON within 10 seconds after ignition switch OFF.
5. When auto active test mode is actuated, horn chirps once.
6. After a series of operations is repeated three times, auto active test is completed.

NOTE:

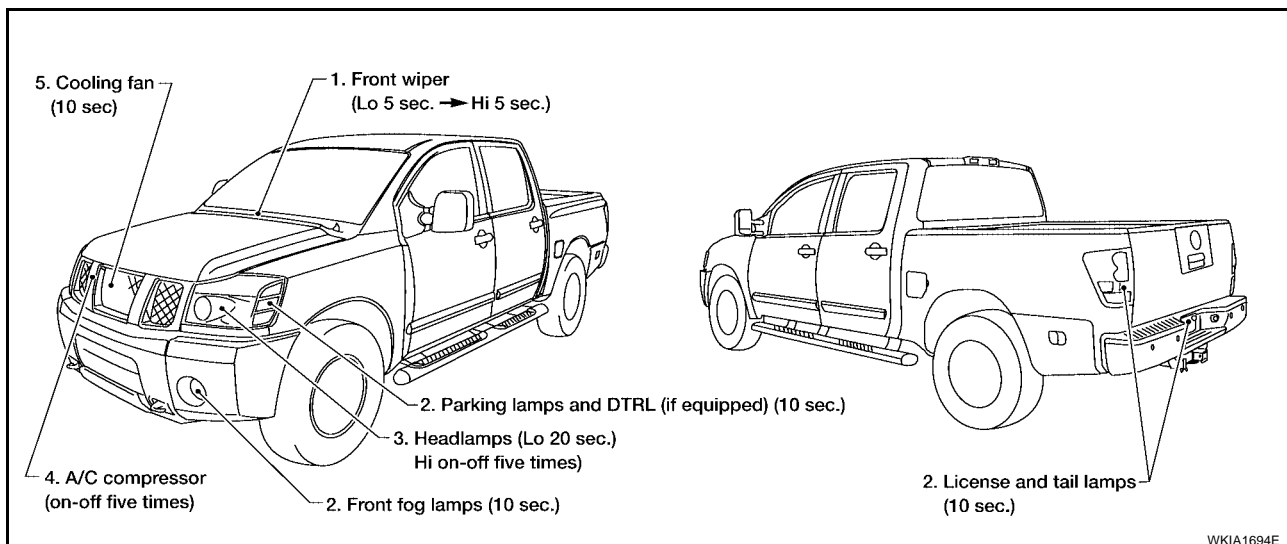
When auto active test mode has to be cancelled halfway, turn ignition switch OFF.

CAUTION:

Be sure to perform [BL-35, "Door Switch Check \(King Cab\)"](#) or [BL-37, "Door Switch Check \(Crew Cab\)"](#) when the auto active test cannot be performed.

INSPECTION IN AUTO ACTIVE TEST MODE

- When auto active test mode is actuated, the following six steps are repeated three times.



IPDM E/R (INTELLIGENT POWER DISTRIBUTION MODULE ENGINE ROOM)

Concept of Auto Active Test

- IPDM E/R actuates auto active test mode when it receives door switch signal from BCM via CAN communication line. Therefore, when auto active test mode is activated successfully, CAN communication between IPDM E/R and BCM is normal.
- If any of the systems controlled by IPDM E/R cannot be operated, possible cause can be easily diagnosed using auto active test.

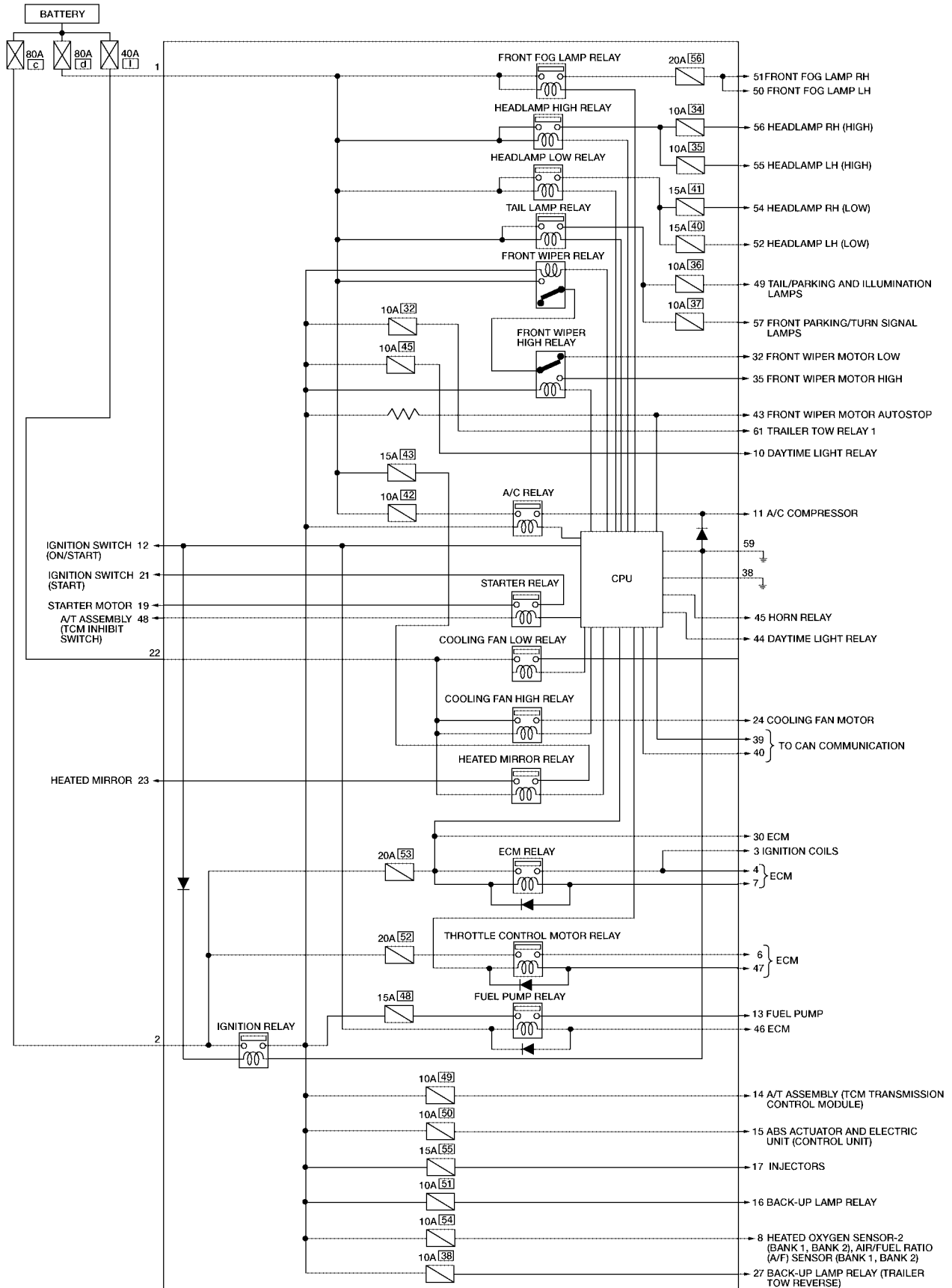
Diagnosis chart in auto active test mode

Symptom	Inspection contents	Possible cause	
Any of front wipers, tail and parking lamps, front fog lamps, and head-lamps (Hi, Lo) do not operate.	Perform auto active test. Does system in question operate?	YES	● BCM signal input system
		NO	<ul style="list-style-type: none"> ● Lamp/wiper motor malfunction ● Lamp/wiper motor ground circuit malfunction ● Harness/connector malfunction between IPDM E/R and system in question ● IPDM E/R (integrated relay) malfunction
A/C compressor does not operate.	Perform auto active test. Does magnetic clutch operate?	YES	<ul style="list-style-type: none"> ● BCM signal input circuit ● CAN communication signal between BCM and ECM ● CAN communication signal between ECM and IPDM E/R
		NO	<ul style="list-style-type: none"> ● Magnetic clutch malfunction ● Harness/connector malfunction between IPDM E/R and magnetic clutch ● IPDM E/R (integrated relay) malfunction
Cooling fan does not operate.	Perform auto active test. Does cooling fan operate?	YES	<ul style="list-style-type: none"> ● ECM signal input circuit ● CAN communication signal between ECM and IPDM E/R
		NO	<ul style="list-style-type: none"> ● Cooling fan motor malfunction ● Harness/connector malfunction between IPDM E/R and cooling fan motor ● IPDM E/R (integrated relay) malfunction
Oil pressure warning lamp does not operate.	Perform auto active test. Does oil pressure warning lamp blink?	YES	<ul style="list-style-type: none"> ● Harness/connector malfunction between IPDM E/R and oil pressure switch ● Oil pressure switch malfunction ● IPDM E/R
		NO	<ul style="list-style-type: none"> ● CAN communication signal between BCM and combination meter ● Combination meter

IPDM E/R (INTELLIGENT POWER DISTRIBUTION MODULE ENGINE ROOM)

EKS007QJ

Schematic

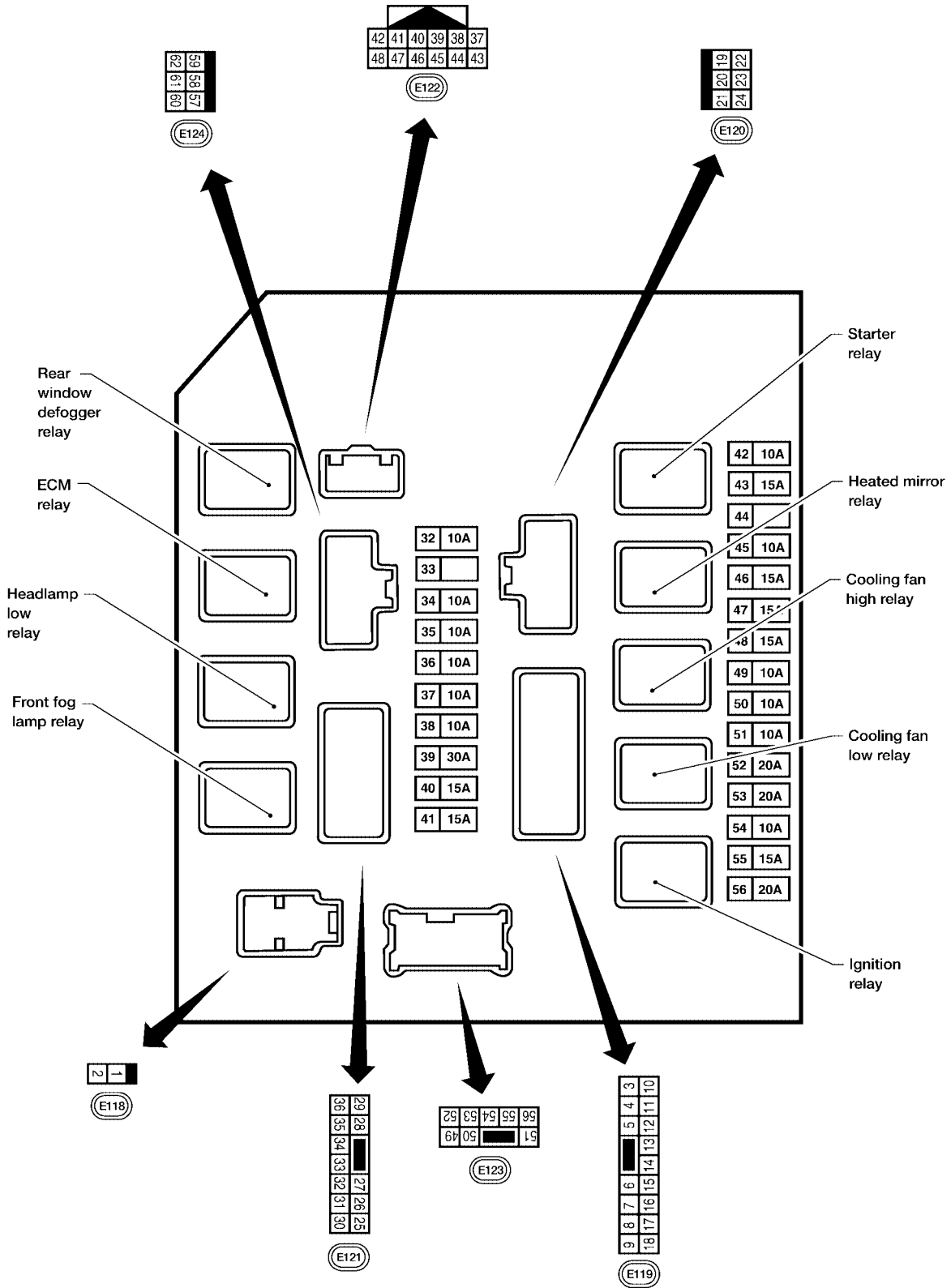


WKWA1610E

IPDM E/R (INTELLIGENT POWER DISTRIBUTION MODULE ENGINE ROOM)

IPDM E/R Terminal Arrangement

EKS007QK



A
B
C
D
E
F
G
H
I
J
PG
L
M

IPDM E/R (INTELLIGENT POWER DISTRIBUTION MODULE ENGINE ROOM)

EKS007QL

IPDM E/R Power/Ground Circuit Inspection

1. FUSE AND FUSIBLE LINK INSPECTION

- Check that the following fusible links or IPDM E/R fuses are not blown.

Terminal No.	Signal name	Fuse, fusible link No.
1, 2, 22	Battery power	a, c, d, e, l

OK or NG

- OK >> GO TO 2.
- NG >> Replace fuse or fusible link.

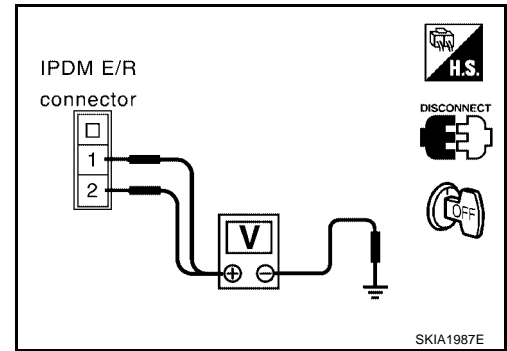
2. POWER CIRCUIT INSPECTION

- Disconnect IPDM E/R harness connector E118.
- Check voltage between IPDM E/R harness connector E118 terminals 1 (B/Y), 2 (R) and ground.

Battery voltage should exist.

OK or NG

- OK >> GO TO 3.
- NG >> Repair or replace IPDM E/R power circuit harness.



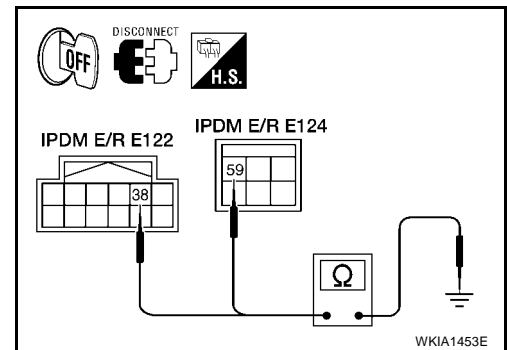
3. GROUND CIRCUIT INSPECTION

- Disconnect IPDM E/R harness connectors E122 and E124.
- Check continuity between IPDM E/R harness connector E122 terminal 38 (B), and E124 terminal 59 (B) and ground.

Continuity should exist.

OK or NG

- OK >> Inspection End.
- NG >> Repair or replace ground circuit harness of IPDM E/R.



Inspection with CONSULT-II (Self-Diagnosis)

CAUTION:

If a CONSULT-II is used with no connection of CONSULT-II CONVERTER, malfunctions might be detected in self-diagnosis depending on which control unit(s) carry out CAN communication.

1. SELF-DIAGNOSIS RESULT CHECK

1. Connect CONSULT-II and select "IPDM E/R" on the Diagnosis System Selection screen.
2. Select "SELF-DIAG RESULTS" on the diagnosis mode selection screen.
3. Check display content in self-diagnosis results.

CONSULT-II Display	CONSULT-II display code	TIME		Details of diagnosis result
		CRNT	PAST	
NO DTC IS DETECTED. FURTHER TESTING MAY BE REQUIRED.	—	—	—	No malfunction
CAN COMM CIRC	U1000	X	X	Any of items listed below have errors: <ul style="list-style-type: none"> ● TRANSMIT DIAG ● ECM ● BCM/SEC

NOTE:

The Details for Display for the Period are as follows:

- CRNT: Error currently detected by IPDM E/R.
- PAST: Error detected in the past and stored in IPDM E/R memory.

Contents displayed

NO DTC DETECTED. FURTHER TESTING MAY BE REQUIRED.>>INSPECTION END.

CAN COMM CIRC>>Print out the self-diagnosis result and refer to [LAN-8, "CAN COMMUNICATION"](#) .

A
B
C
D
E
F
G
H
I
J
L
M

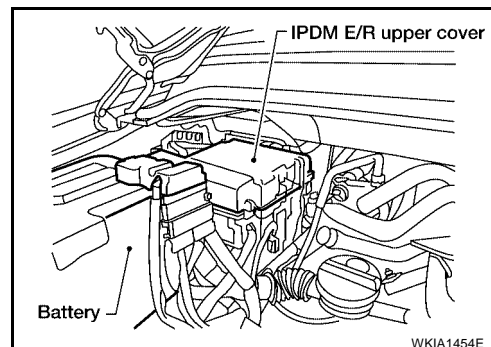
IPDM E/R (INTELLIGENT POWER DISTRIBUTION MODULE ENGINE ROOM)

EKS007QN

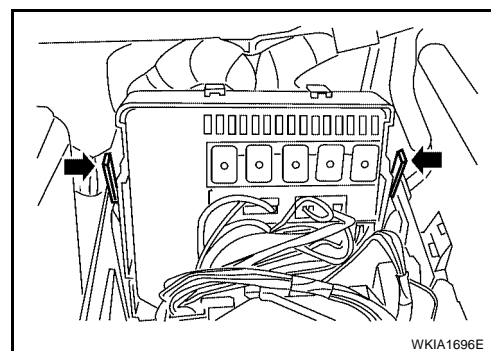
Removal and Installation of IPDM E/R

REMOVAL

1. Disconnect negative battery cable.
2. Remove IPDM E/R upper cover.



3. Release 2 clips and pull IPDM E/R up from case.
4. Disconnect IPDM E/R connectors and remove the IPDM E/R.



INSTALLATION

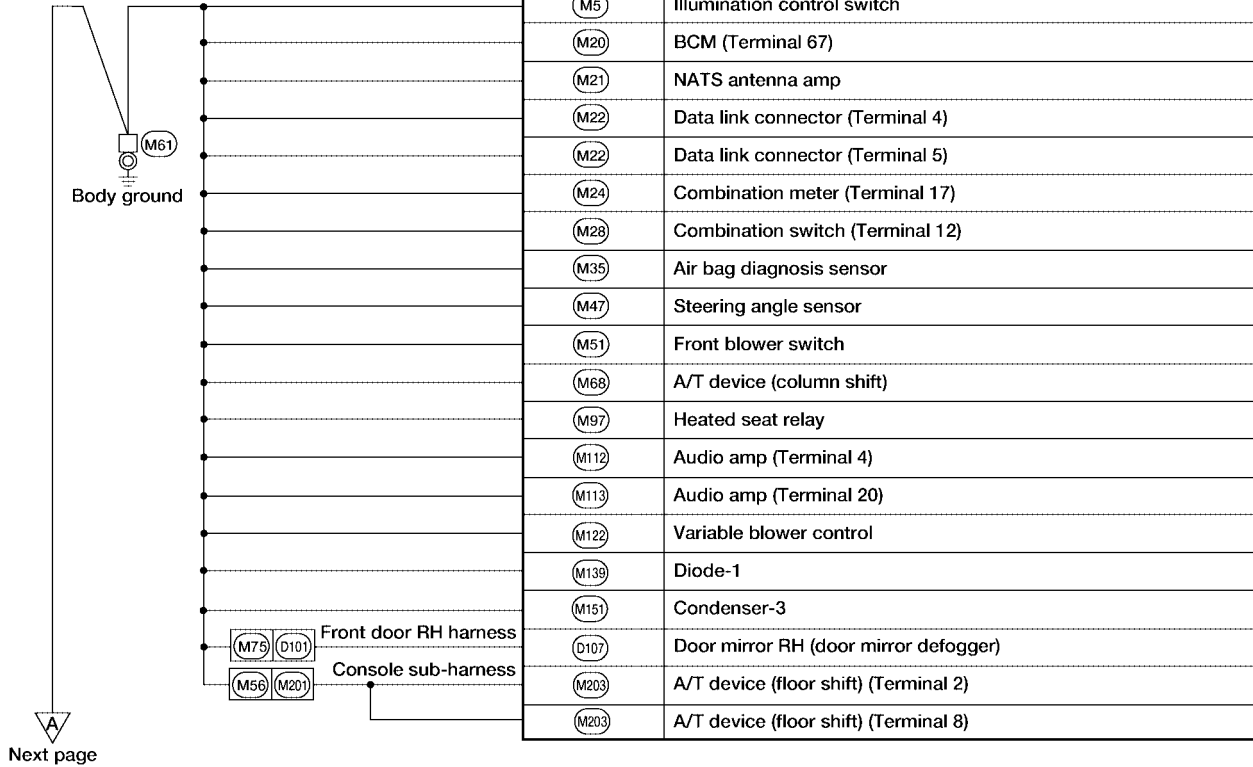
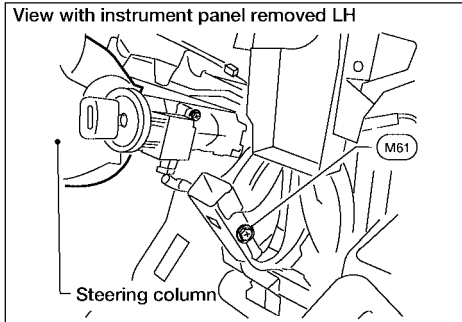
Installation is in the reverse order of removal.

GROUND CIRCUIT

PF24080

EKS00700

GROUND CIRCUIT Ground Distribution MAIN HARNESS

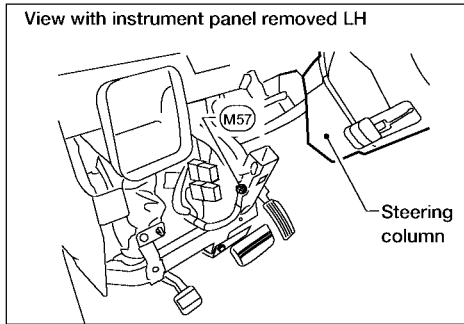


A
B
C
D
E
F
G
H
I
J
L
M

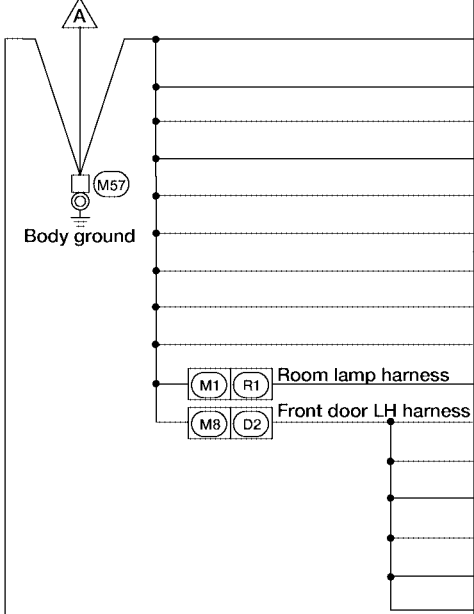
PG

WKIA2845E

GROUND CIRCUIT



Preceding page

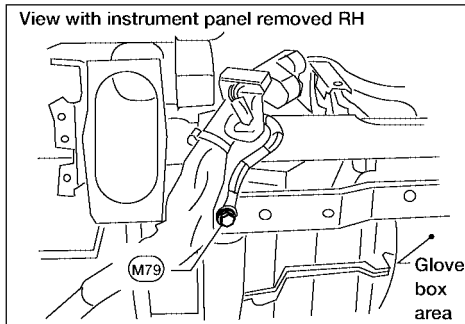


CONNECTOR NUMBER	CONNECT TO
M14	Pedal adjusting control unit
M34	Automatic drive positioner (Terminal 40)
M34	Automatic drive positioner (Terminal 48)
M76	Electric brake (pre-wiring)
M93	Display unit (Terminal 1)
M94	Display control unit (Terminal 3)
M96	Pedal adjusting switch
M116	Rear sonar system off switch (Terminal 3)
M116	Rear sonar system off switch (Terminal 2)
R7	Auto anti-dazzling inside mirror
D7	Door mirror LH (door mirror defogger)
D8	Seat memory switch
D10	Main power window and door lock/unlock switch (Terminal 15)
D14	Main power window and door lock/unlock switch (Terminal 17)
M96	Door mirror switch
R7	Front door lock assembly LH

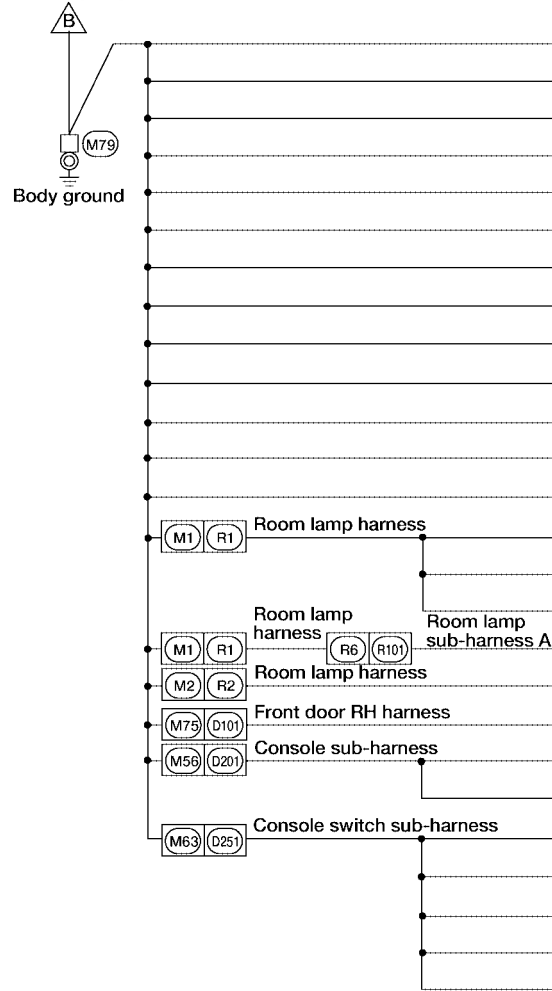
B/ Next page

WKIA2846E

GROUND CIRCUIT



Preceding page



CONNECTOR NUMBER	CONNECT TO
(M3)	Fuse block J/B
(M6)	VDC off switch (column shift)
(M13)	Front passenger air bag off indicator
(M49)	Front air control (Terminal 1)
(M53)	Front power socket LH
(M54)	Front power socket RH (for cigarette lighter)
(M55)	Hazard switch
(M59)	Glove box lamp
(M67)	Tow mode switch (column shift) (Terminal 2)
(M67)	Tow mode switch (column shift) (Terminal 6)
(M81)	Shift lock control unit
(M98)	AV switch
(M107)	Front blower motor relay
(R3)	Vanity lamp LH
(R7)	Auto anti-dazzling inside mirror
(R8)	Vanity lamp RH
(R102)	Front room/map lamp assembly
(R4)	Sunroof motor
(D105)	Power window and door lock/unlock switch RH
(M206)	DVD player (Terminal 22)
(M207)	Console power socket
(M252)	Heated seat switch (passenger)
(M253)	VDC off switch (floor shift)
(M254)	Tow mode switch (floor shift) (Terminal 2)
(M254)	Tow mode switch (floor shift) (Terminal 6)
(M255)	Front heated seat switch LH

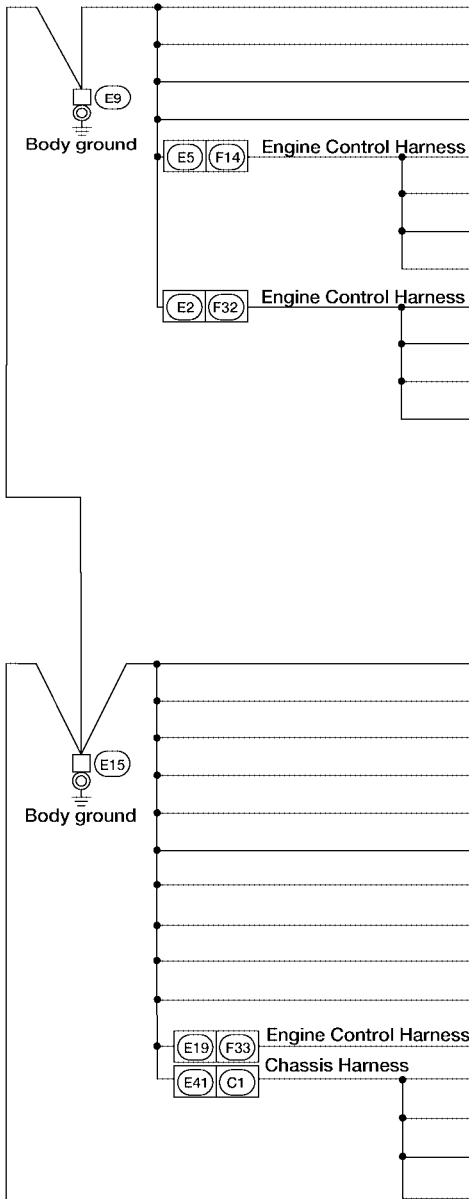
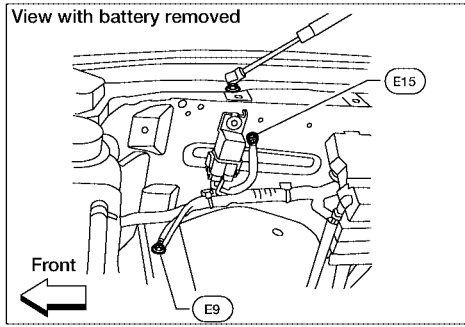
A
B
C
D
E
F
G
H
I
J
L
M

PG

WKIA2847E

GROUND CIRCUIT

ENGINE ROOM HARNESS



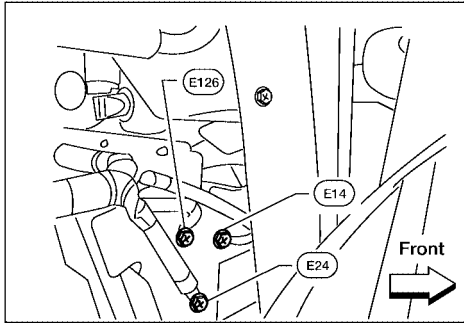
CONNECTOR NUMBER	CONNECT TO
E16	ECM (Terminal 115)
E16	ECM (Terminal 116)
E142	Transfer control unit (Terminal 6)
E142	Transfer control unit (Terminal 18)
F102	Knock sensor (bank 1) shield
F104	Knock sensor (bank 2) shield
F12	Heated oxygen sensor 2 (bank 2)
F13	Heated oxygen sensor 2 (bank 1)
F9	A/T assembly (TCM) (Terminal 10)
F9	A/T assembly (TCM) (Terminal 5)
F11	Crankshaft position sensor (POS)
F23	Camshaft position sensor (PHASE)
F50	Electric throttle control actuator (throttle position sensor shield)
F54	ECM (Terminal 1)

CONNECTOR NUMBER	CONNECT TO
E3	Horn
E11	Front combination lamp LH (headlamp) (terminal 3)
E11	Front combination lamp LH (headlamp) (terminal 4)
E21	Brake fluid level switch
E102	Front fog lamp RH
E103	Daytime light relay
E106	Washer fluid level switch
E113	Cooling fan motor
E116	Condenser-2
E148	Trailer tow relay 1
F68	Water valve
C5	Fuel level sensor unit and fuel pump (fuel pump)
C12	License plate lamp
C13	Rear combination lamp LH
C14	Rear combination lamp RH

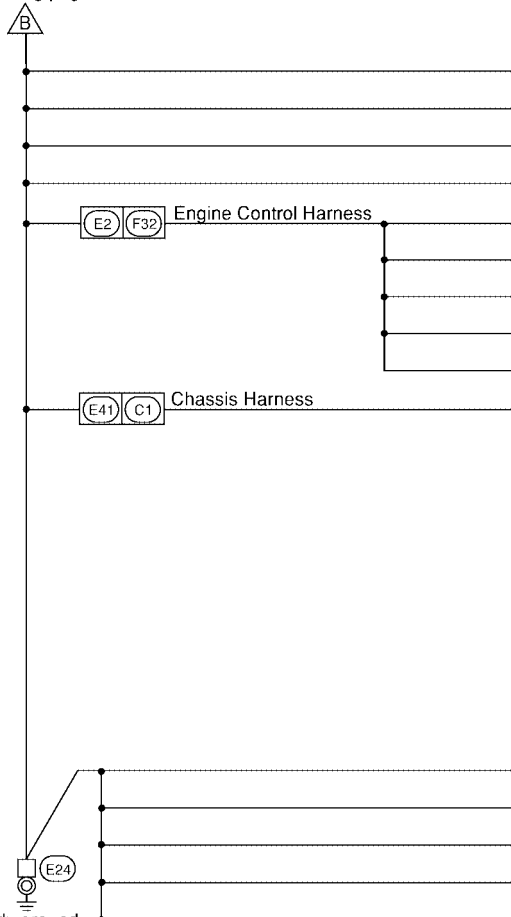
Next page

WKIA2848E

GROUND CIRCUIT



Preceding page



CONNECTOR NUMBER	CONNECT TO
(E46)	Transfer shift relay 1 (Terminal 1)
(E140)	Trailer tow relay 2
(E143)	Transfer control unit (Terminal 32)
(E148)	Trailer tow relay 1
(F55)	ATP switch
(F57)	Transfer motor
(F58)	Transfer control device (actuator position switch) (Terminal 22)
(F59)	Wait detection switch
(F60)	4LO switch
(C2)	Trailer

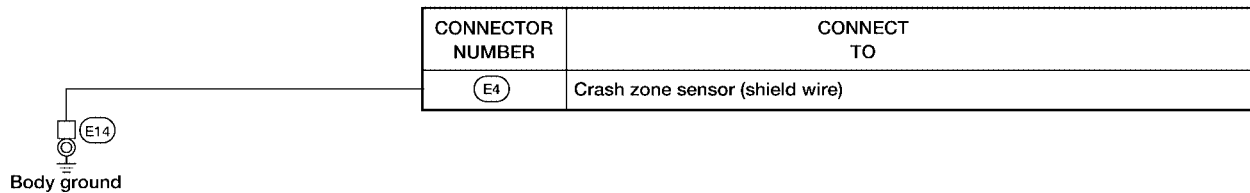
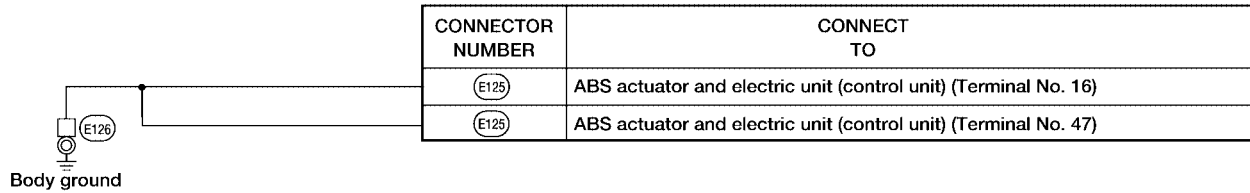
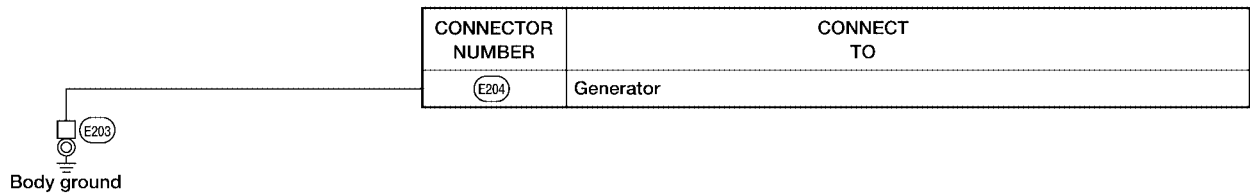
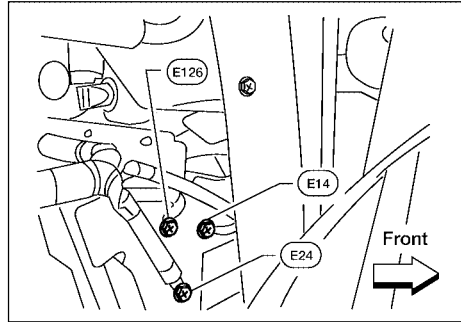
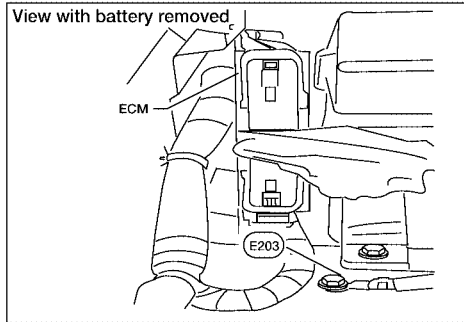
CONNECTOR NUMBER	CONNECT TO
(E23)	Front wiper motor
(E101)	Front fog lamp LH
(E107)	Front combination lamp RH (headlamp) (Terminal 3)
(E107)	Front combination lamp RH (headlamp) (Terminal 4)
(E122)	IPDM E/R (Terminal 38)
(E124)	IPDM E/R (Terminal 59)
(C52)	Rear cargo bed power socket

A
B
C
D
E
F
G
H
I
J
L
M

PG

WKIA2849E

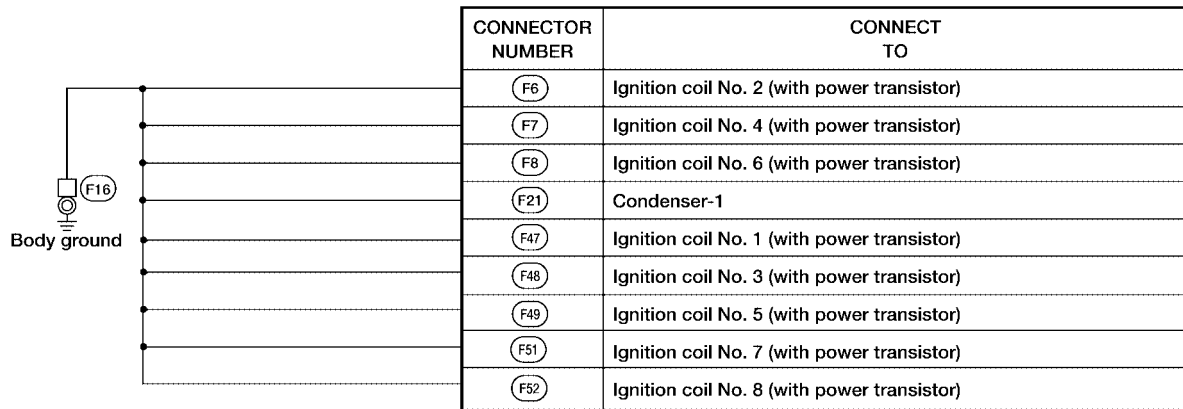
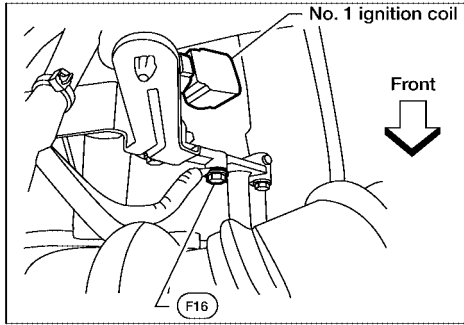
GROUND CIRCUIT



WKIA1459E

GROUND CIRCUIT

ENGINE CONTROL HARNESS

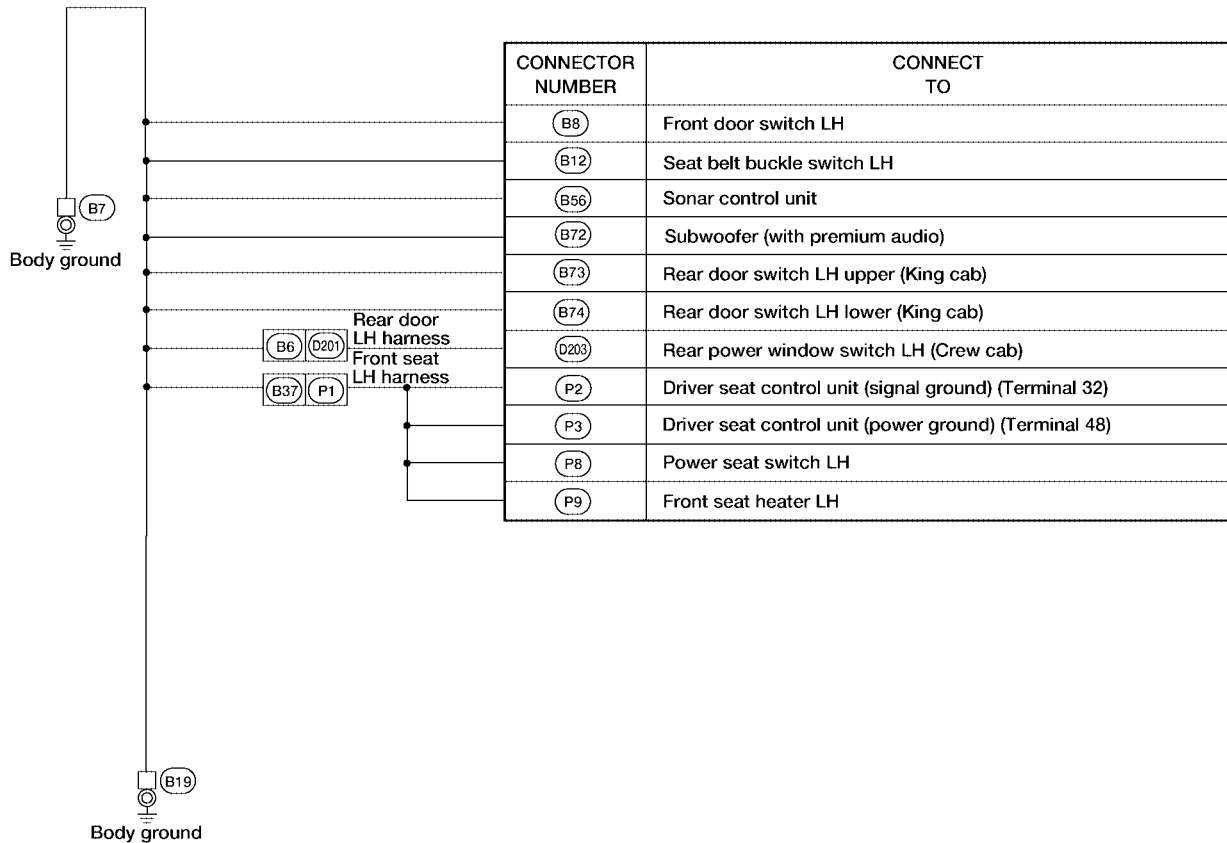
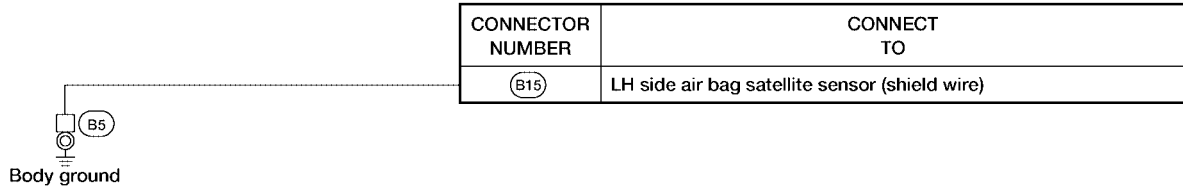
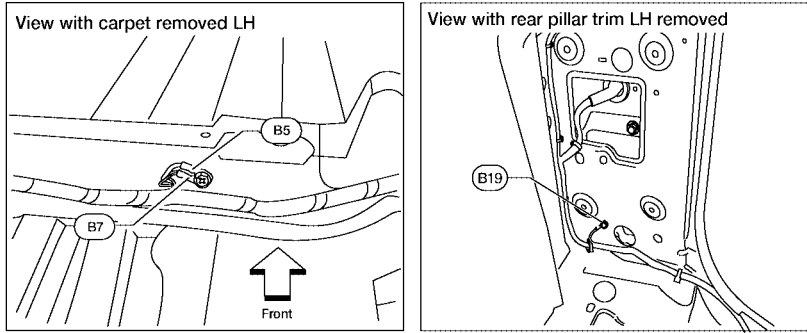


A
B
C
D
E
F
G
H
I
J
L
M

PG

GROUND CIRCUIT

BODY HARNESS

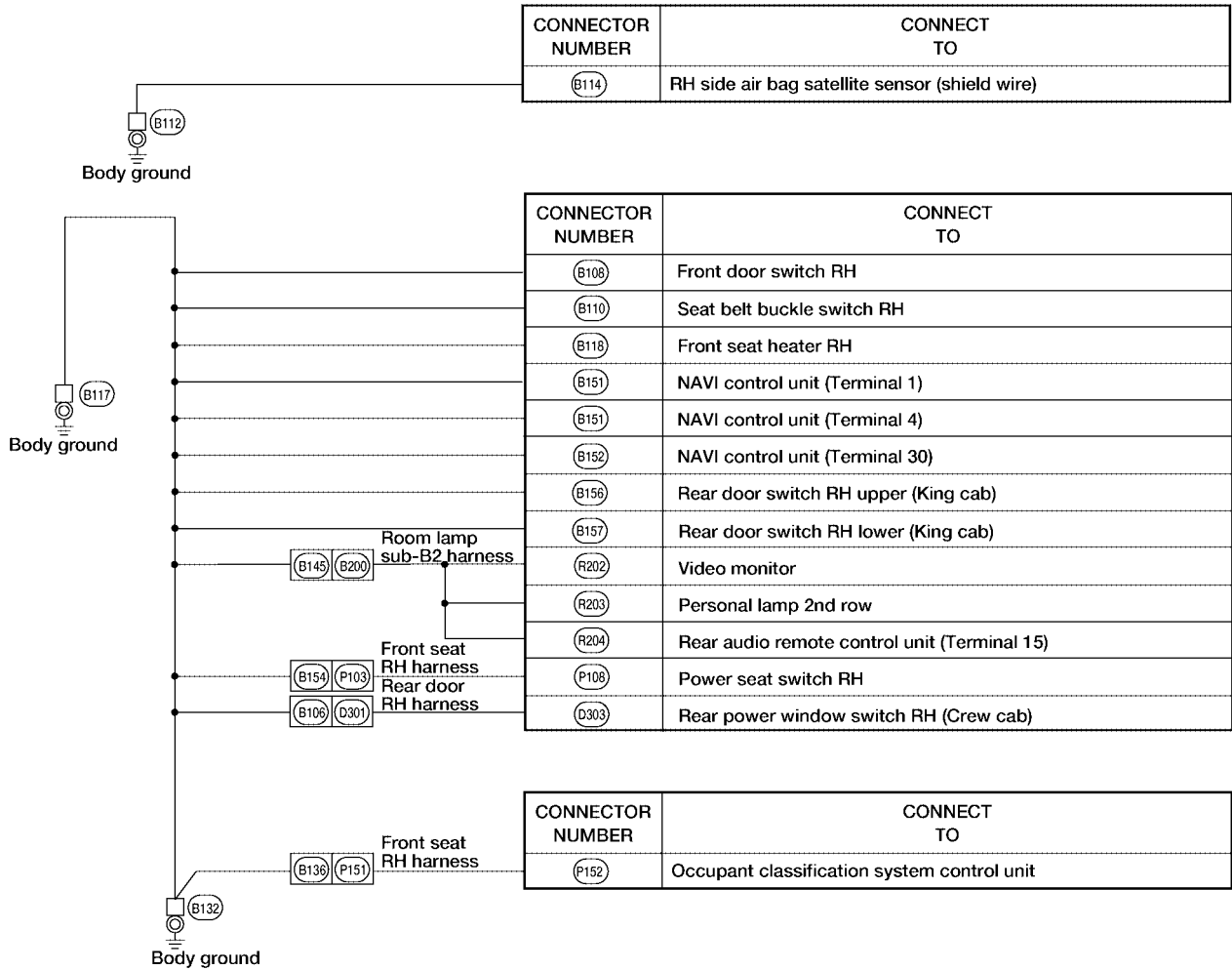
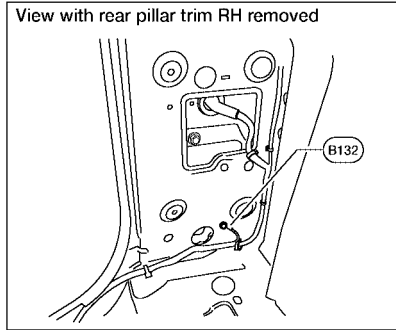
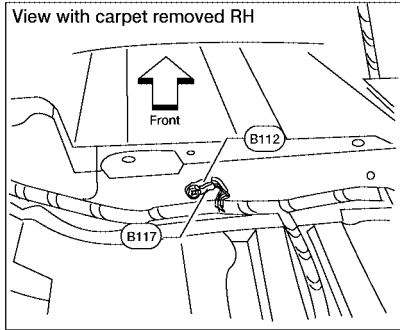


WKIA2850E

GROUND CIRCUIT

BODY NO. 2 HARNESS

A
B
C
D
E
F
G
H
I
J
PG
L
M



WKIA2851E

HARNESS

Harness Layout

EKS007QP

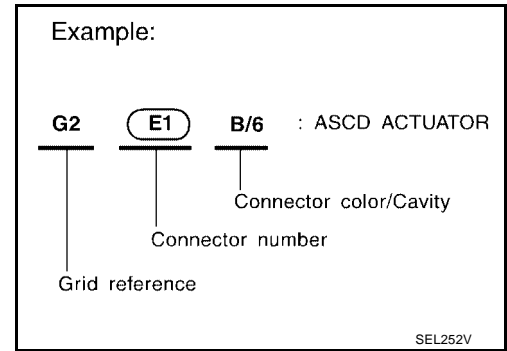
HOW TO READ HARNESS LAYOUT

The following Harness Layouts use a map style grid to help locate connectors on the drawings:

- Main Harness
- Engine Room Harness LH View (Engine Compartment)
- Engine Room Harness RH View (Engine Compartment)
- Engine Control Harness
- Body Harness and Rear Bumper Sub Harness
- Body No. 2 Harness and Fuel Pump Sub Harness


















To use the grid reference

1. Find the desired connector number on the connector list.
2. Find the grid reference.
3. On the drawing, find the crossing of the grid reference letter column and number row.
4. Find the connector number in the crossing zone.
5. Follow the line (if used) to the connector.



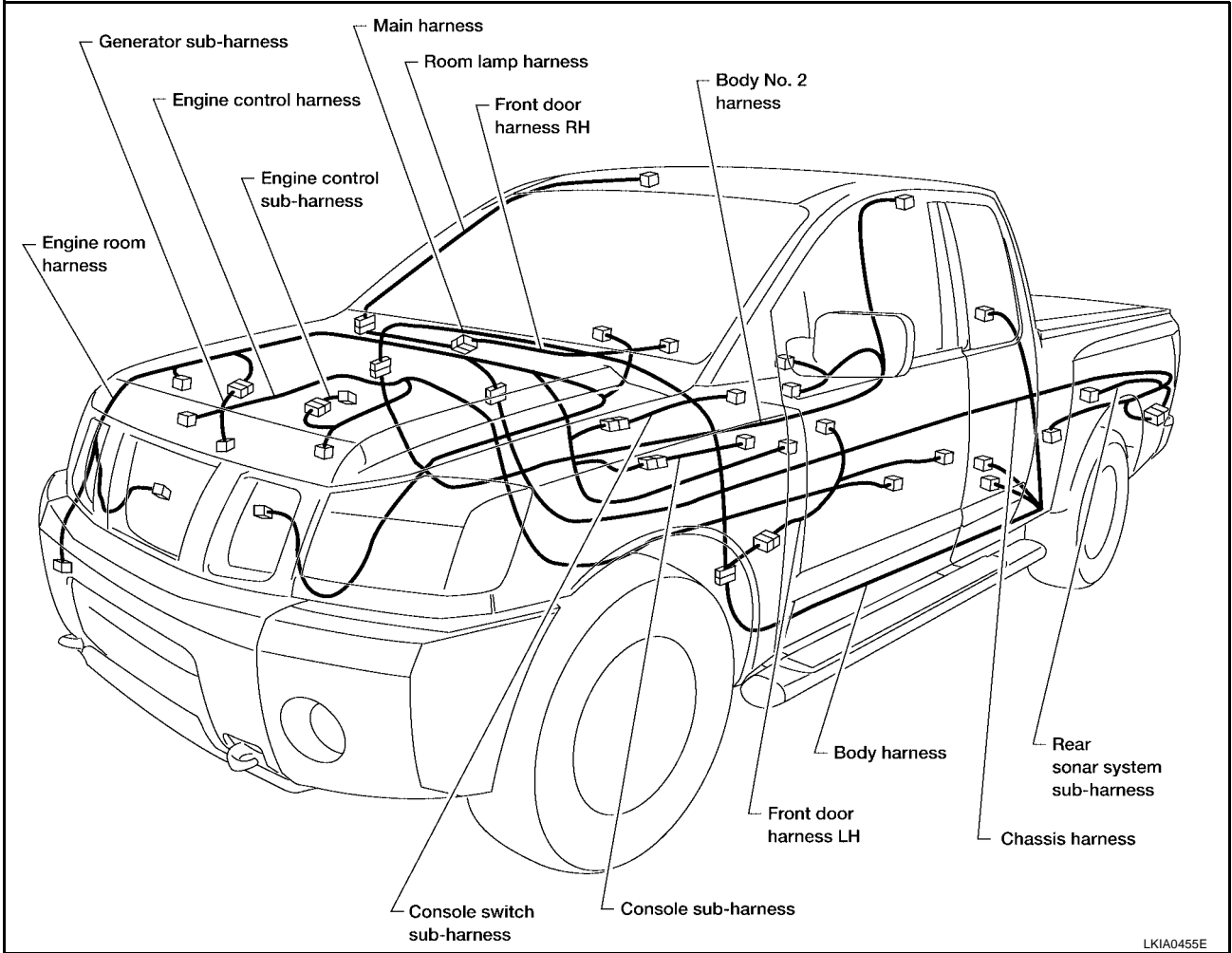
CONNECTOR SYMBOL

Main symbols of connector (in Harness Layout) are indicated below.

Connector type	Water proof type		Standard type	
	Male	Female	Male	Female
● Cavity: Less than 4				
● Relay connector				
● Cavity: From 5 to 8				
● Cavity: More than 9				
● Ground terminal etc.	—			

HARNESS

OUTLINE (KING CAB MODELS)



A
B
C
D
E
F
G
H
I
J

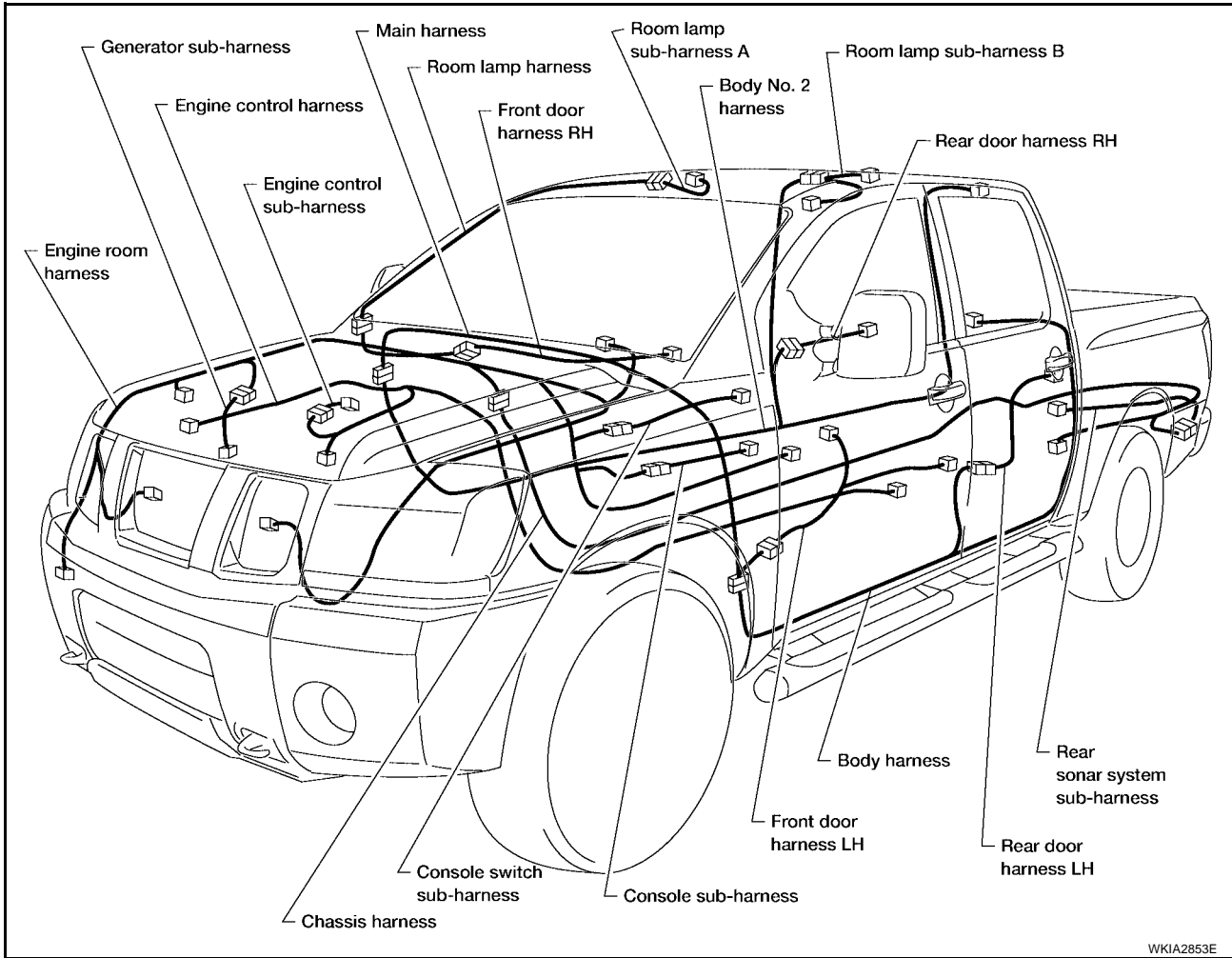
PG

L

M

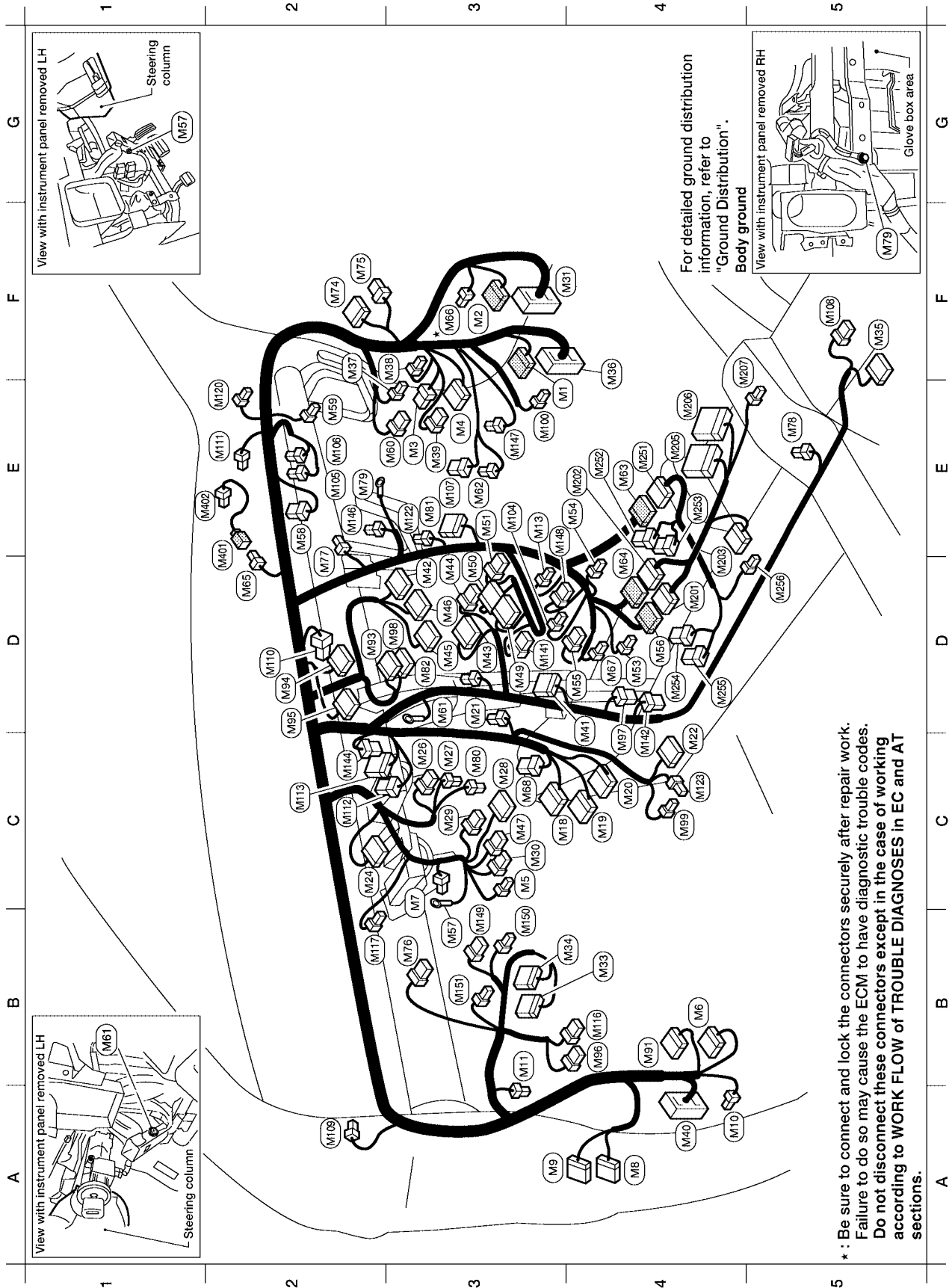
HARNESS

OUTLINE (CREW CAB MODELS)



HARNESS

MAIN HARNESS



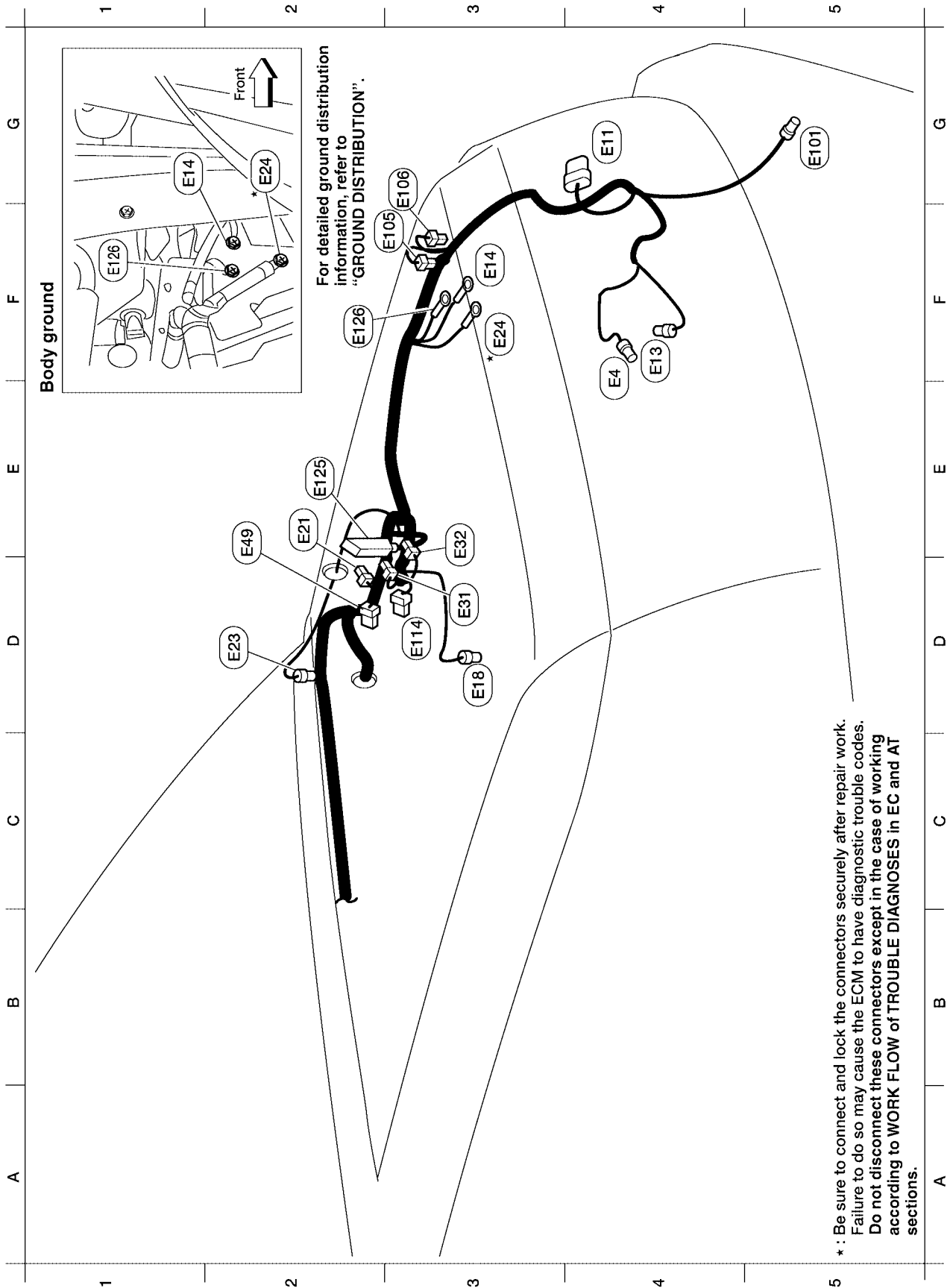
WKIA2854E

HARNESS

E4 (M1)	W/16	To (R1)	W/18	Front air control	E3 (M107)	BR/6	Front blower motor relay
F3 (M2)	W/12	To (F2) (with sunroof)	W/8	Front blower switch	F5 (M108)	B/6	Yaw rate/side decel G-sensor (VDC)
E3 (M3)	W/8	Fuse block (J/B)	B/2	Front power socket LH	A2 (M109)	BR/2	Front tweeter LH
E3 (M4)	W/16	Fuse block (J/B)	B/2	Front power socket RH	D2 (M110)	BR/2	Center speaker (with premium audio)
C3 (M5)	W/3	Illumination control switch	B/2	Front power socket RH (for cigarette lighter)	E2 (M111)	BR/2	Front tweeter RH
B4 (M6)	W/10	To (E10)	W/8	Hazard switch	C2 (M112)	W/8	Audio amplifier (with premium audio)
B3 (M7)	L/5	Water valve relay	W/16	To (M20) (floor shift)	C2 (M113)	L/24	Audio amplifier (with premium audio)
A4 (M8)	W/16	To (D2)	-	Body ground	B4 (M116)	GR/8	Rear sonar system OFF switch
A4 (M9)	BR/24	To (D1)	B/6	Intake door motor	B2 (M117)	B/2	Sonar buzzer
A4 (M10)	Y/4	To (E29)	BR/2	Glove box lamp	E2 (M120)	W/4	Remote keyless entry receiver
B3 (M11)	B/1	Parking brake switch	W/6	Fuse block (J/B)	E3 (M122)	W/4	Front blower motor resistor
E3 (M13)	W/3	Front passenger air bag off indicator	W/6	Fuse block (J/B)	E3 (M123)	B/4	Front blower motor resistor
C3 (M16)	W/40	BCM (body control module)	-	Body ground	C4 (M123)	W/2	Tire pressure warning check connector
C4 (M19)	W/15	BCM (body control module)	B/2	Front blower motor	D3 (M141)	W/8	4WD shift switch
C4 (M20)	B/15	BCM (body control module)	BR/20	To (M25) (floor shift)	C4 (M142)	B/6	Mode door motor
D3 (M21)	W/4	NATS antenna amplifier	BR/24	To (M202) (floor shift)	C2 (M144)	B/6	Defroster door motor
C4 (M22)	W/16	Data link connector	W/4	To (M40)	E2 (M146)	W/2	Intake sensor
C2 (M24)	W/40	Combination meter	F3*	To (E33)	E3 (M147)	B/6	Air mix door motor (front)
C3 (M26)	W/6	Ignition switch	D4 (M67)	Tow mode switch (column shift)	D3 (M148)	GR/6	VDC OFF switch (column shift)
C3 (M27)	W/4	Key switch/key lock sol (floor shift)	C3 (M68)	A/T device (column shift)	B3 (M149)	W/6	Cargo lamp switch
C3 (M28)	W/16	Combination switch	F2 (M74)	To (D102)	B3 (M150)	L/4	Cargo lamp relay
C3 (M29)	Y/6	Combination switch (spiral cable)	F2 (M75)	To (D101)	B3 (M151)	W/2	Condenser-3
C3 (M30)	GR/8	Combination switch (spiral cable)	B3 (M76)	Electric brake (pre-wiring)	Console sub-harness (floor shift)		
F4 (M31)	SMJ	To (E132)	D2 (M77)	Front pass air bag module (service replacement)	D4 (M201)	W/16	To (M56)
B4 (M33)	W/32	Automatic drive positioner control unit	E5 (M78)	Armrest power socket (bench seat)	E4 (M202)	BR/24	To (M64)
B4 (M34)	W/16	Automatic drive positioner control unit	E2 (M79)	Body ground	D4 (M203)	W/12	A/T device
F5 (M35)	Y/28	Air bag diagnosis sensor unit	C3 (M80)	Key switch (column shift)	E4 (M205)	GR/16	DVD player
F4 (M36)	SMJ	To (E148)	E3 (M81)	Shift lock control unit (floor shift)	E4 (M206)	L/16	DVD player
E2 (M37)	B/1	Fuse block (J/B)	D3 (M82)	Circuit breaker-2	F5 (M207)	B/2	Console power socket
E3 (M38)	B/2	Fuse block (J/B)	B4 (M91)	To (E26)	Console switch sub-harness (floor shift)		
E3 (M39)	W/8	Fuse block (J/B)	D2 (M93)	Display unit (with NAVI)	E4 (M231)	BR/20	To (M63)
A4 (M40)	SMJ	To (E69)	D2 (M94)	Display control unit (with NAVI)	E4 (M232)	BR/6	Heated seat switch (passenger)
C4 (M41)	W/16	Satellite radio tuner (pre-wiring)	D2 (M95)	Display control unit (with NAVI)	E4 (M233)	GR/6	VDC OFF switch
D3 (M42)	W/12	Audio unit	D2 (M96)	Pedal adjusting switch	D4 (M254)	GR/8	Tow mode switch
D3 (M43)	W/10	Audio unit	B4 (M96)	Heated seat relay	D4 (M255)	BR/6	Heated seat switch (driver)
D3 (M44)	W/6	Audio unit	C4 (M97)	Heated seat relay	D5 (M256)	B/2	A/T device illumination
D3 (M45)	W/16	Audio unit	D3 (M98)	AV switch	Optical sensor sub-harness		
D3 (M46)	W/20	Audio unit	C4 (M99)	Foot lamp LH	D2 (M401)	W/4	To (M65)
C3 (M47)	W/8	Steering angle sensor	E3 (M100)	Foot lamp RH	E2 (M402)	B/4	Optical sensor
D3 (M48)	B/26	Front air control	E3 (M104)	Auxiliary in jack (audio)	*: Refer to previous page		
			E2 (M105)	Front passenger air bag module			
			E2 (M106)	Front passenger air bag module			

HARNESS

ENGINE ROOM HARNESS (LH VIEW) Engine Compartment



Refer to [PG-46, "ENGINE ROOM HARNESS \(RH VIEW\)"](#) for continuation of engine room harness.

WKIA2857E

HARNESS

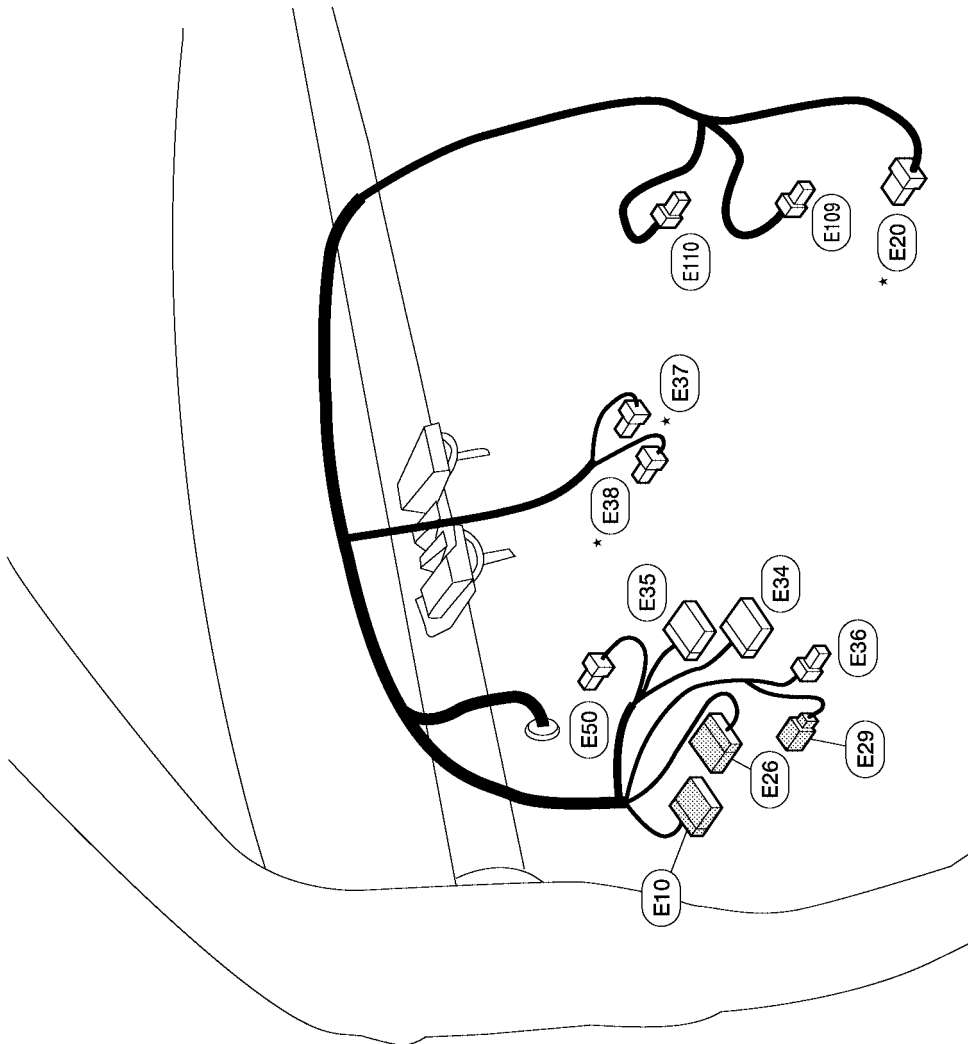
E4	(E4)	Y/2	: Crash zone sensor
G4	(E11)	B/6	: Front combination lamp LH
F4	(E13)	GR/2	: Ambient sensor 2
F3	(E14)	-	: Body ground
D3	(E18)	GR/2	: Front wheel sensor LH
E2	(E21)	GR/2	: Brake fluid level switch
D2	(E23)	GR/6	: Front wiper motor
F3	(E24)	-	: Body ground
D3	(E31)	B/3	: Front pressure sensor
E3	(E32)	B/3	: Rear pressure sensor
E2	(E49)	B/6	: Active booster
G5	(E101)	B/2	: Front fog lamp LH
F3	(E105)	GR/2	: Washer motor
G3	(E106)	BR/2	: Washer fluid level switch
D3	(E114)	B/6	: Delta stroke sensor
E2	(E125)	B/47	: ABS actuator and electric unit (control unit)
F2	(E126)	-	: Body ground

* : Be sure to connect and lock the connectors securely after repair work. Failure to do so may cause the ECM to have diagnostic trouble codes.
Do not disconnect these connectors except in the case of working according to WORK FLOW of TROUBLE DIAGNOSES in EC and AT sections.

HARNESS

Passenger Compartment

- (E10) W/10 : To (M6)
- * (E20) B/8 : Accelerator pedal position (APP) sensor
- (E26) W/16 : To (M9)
- (E29) Y/4 : To (M10)
- (E34) W/24 : To (B40)
- (E35) W/12 : To (B41)
- (E36) W/2 : To (B42)
- * (E37) BR/2 : ASCD brake switch
- * (E38) W/4 : Stop lamp switch (column shift)
- * (E39) B/2 : Stop lamp switch (floor shift)
- (E50) BR/2 : To (B75)
- (E109) W/2 : Pedal adjusting motor
- (E110) W/3 : Pedal adjusting motor

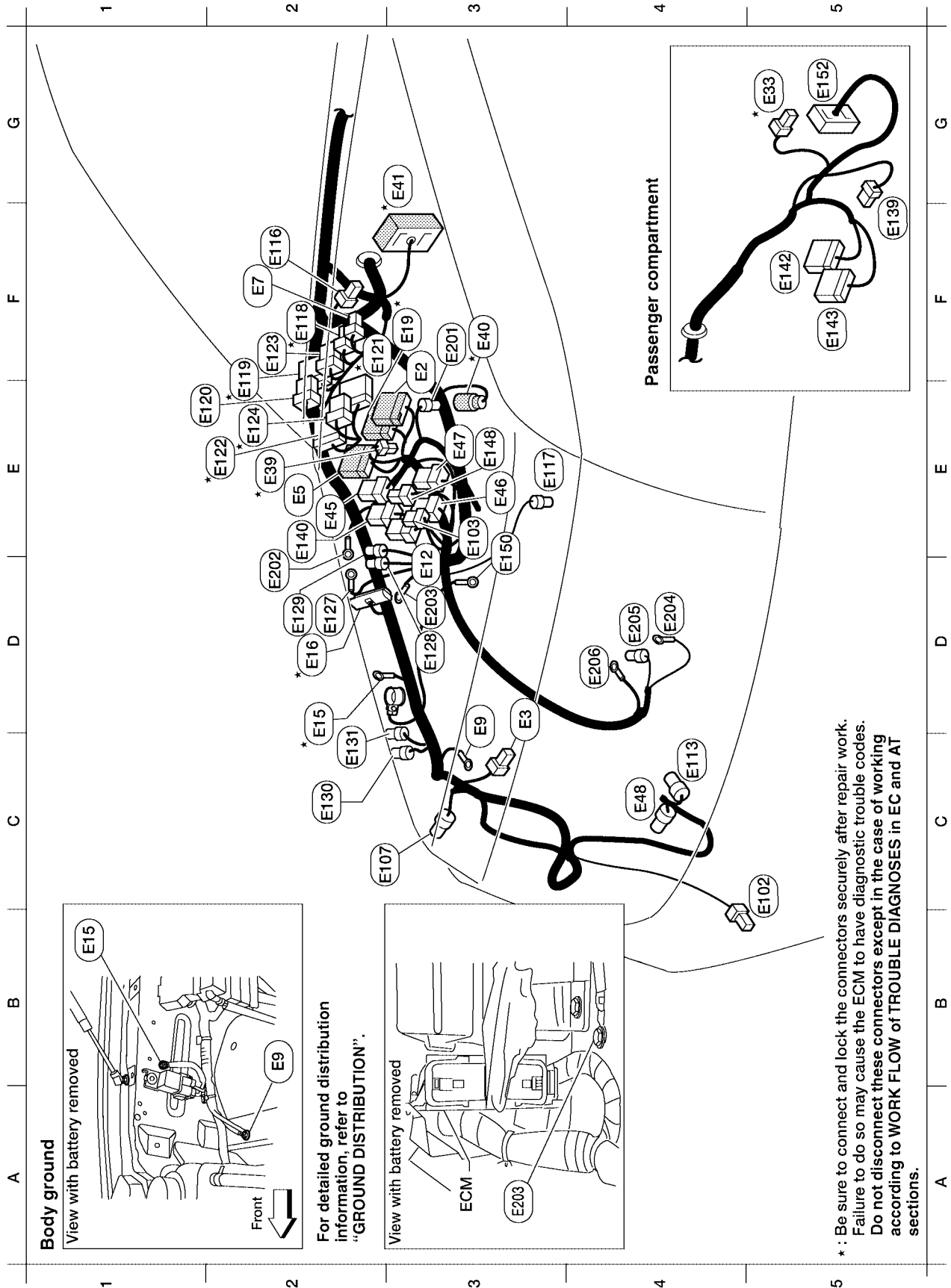


* : Be sure to connect and lock the connectors securely after repair work. Failure to do so may cause the ECM to have diagnostic trouble codes.
Do not disconnect these connectors except in the case of working according to WORK FLOW of TROUBLE DIAGNOSES in EC and AT sections.

A
B
C
D
E
F
G
H
I
J
PG
L
M

HARNESS

ENGINE ROOM HARNESS (RH VIEW) Engine Compartment



Refer to [PG-43, "ENGINE ROOM HARNESS \(LH VIEW\)"](#) for continuation of engine room harness.

WKIA2860E

E3	(E2)	W/16	: To (F32)
C3	(E3)	B/2	: Horn
E2	(E5)	W/24	: To (F14)
F2	(E7)	GR/2	: Fuse and fusible link box
C3	(E9)	-	: Body ground
D3	(E12)	B/5	: Stop lamp relay
C2	(E15)	-	: Body ground
D2	(E16)	B/32	: ECM
F3	(E19)	W/16	: To (F33)
G5	(E33)	B/1	: To (M86)
E2	(E39)	W/2	: To (F34)
F3	(E40)	GR/2	: To (E201)
F3	(E41)	SMJ	: To (C1)
E2	(E45)	BR/6	: Back-up lamp relay
E3	(E46)	L/5	: Transfer relay 1
E3	(E47)	L/5	: Transfer relay 2
C4	(E48)	B/3	: Refrigerant pressure sensor
C5	(E102)	B/2	: Front fog lamp RH
E3	(E103)	B/5	: Daytime light relay
C2	(E107)	B/6	: Front combination lamp RH
C4	(E113)	GR/2	: Cooling fan motor
F2	(E116)	W/2	: Condenser-2
E3	(E117)	GR/2	: Front wheel sensor RH
F2	(E118)	B/2	: IPDM E/R (intelligent power distribution module engine room)
E2	(E119)	W/16	: IPDM E/R (intelligent power distribution module engine room)
E2	(E120)	W/6	: IPDM E/R (intelligent power distribution module engine room)
F3	(E121)	BR/12	: IPDM E/R (intelligent power distribution module engine room)
E2	(E122)	W/12	: IPDM E/R (intelligent power distribution module engine room)
F2	(E123)	BR/8	: IPDM E/R (intelligent power distribution module engine room)
E2	(E124)	B/6	: IPDM E/R (intelligent power distribution module engine room)
D2	(E127)	-	: Fuse link box (battery)

D3	(E128)	GR/2	: Fuse link box (battery)
D2	(E129)	BR/2	: Fuse link box (battery)
C2	(E130)	W/2	: Compressor motor relay
C2	(E131)	W/2	: Compressor motor relay
F5	(E133)	W/8	: To (E107)
E2	(E140)	BR/6	: Trailer tow relay 2
F5	(E142)	W/26	: Transfer control unit
F5	(E143)	W/24	: Transfer control unit
E3	(E146)	L/4	: Trailer tow relay 1
D3	(E151)	-	: Battery ground
G5	(E152)	SMJ	: To (M31)

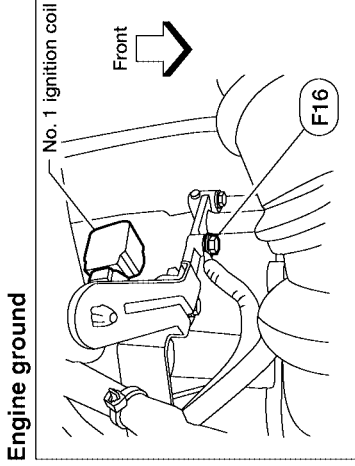
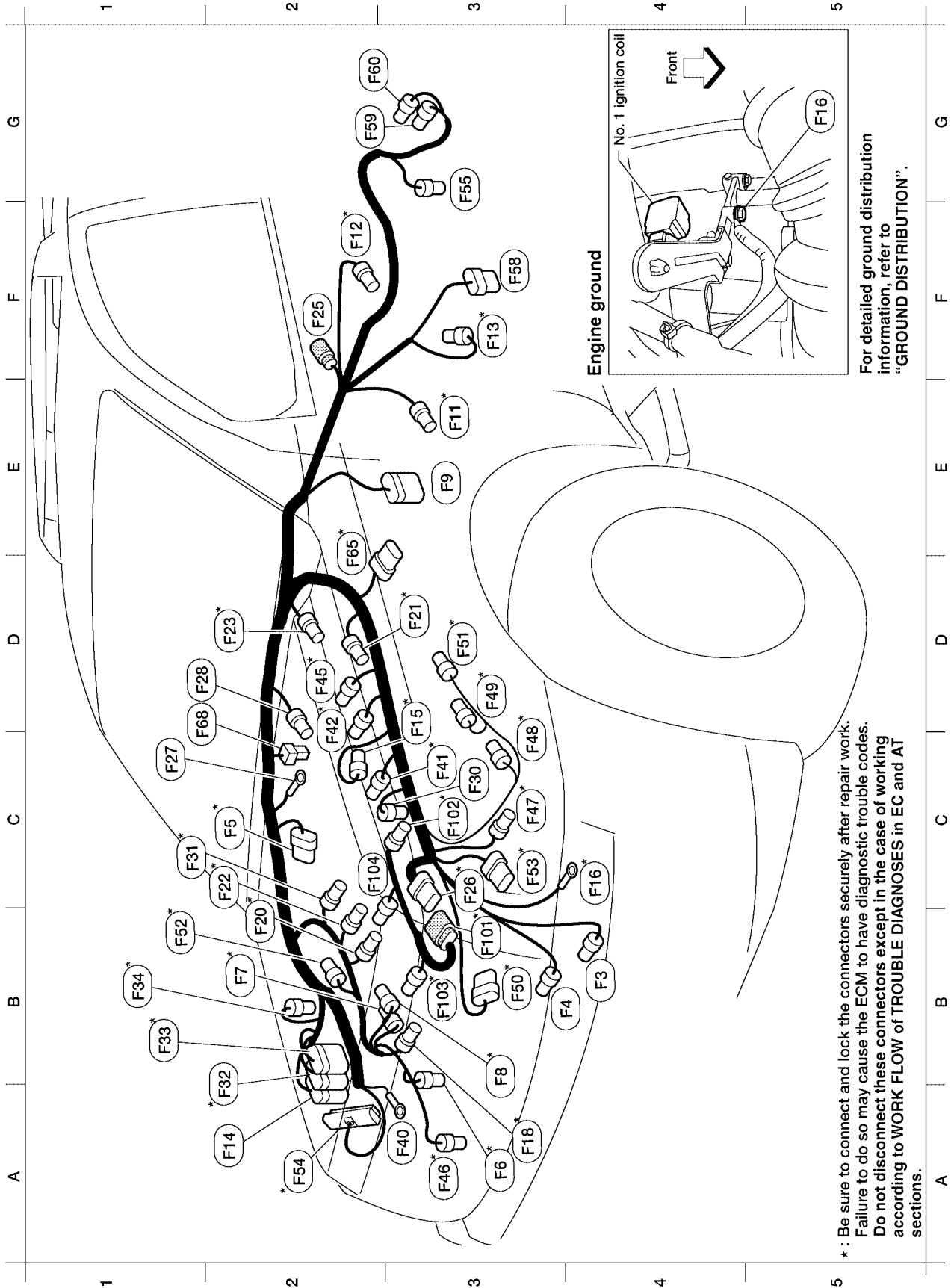
Generator sub-harness

F3	(E201)	GR/2	: To (E40)
D2	(E202)	B/1	: To fuse and fusible link box
D3	(E203)	-	: Body ground
D4	(E204)	-	: Generator
D4	(E205)	GR/2	: Generator
D4	(E206)	-	: Generator

* : Be sure to connect and lock the connectors securely after repair work.
 Failure to do so may cause the ECM to have diagnostic trouble codes.
 Do not disconnect these connectors except in the case of working
 according to **WORK FLOW of TROUBLE DIAGNOSES** in EC and AT
 sections.

HARNESS

ENGINE CONTROL HARNESS



For detailed ground distribution information, refer to "GROUND DISTRIBUTION".

* : Be sure to connect and lock the connectors securely after repair work. Failure to do so may cause the ECM to have diagnostic trouble codes. Do not disconnect these connectors except in the case of working according to WORK FLOW of TROUBLE DIAGNOSES in EC and AT sections.

WKIA2862E

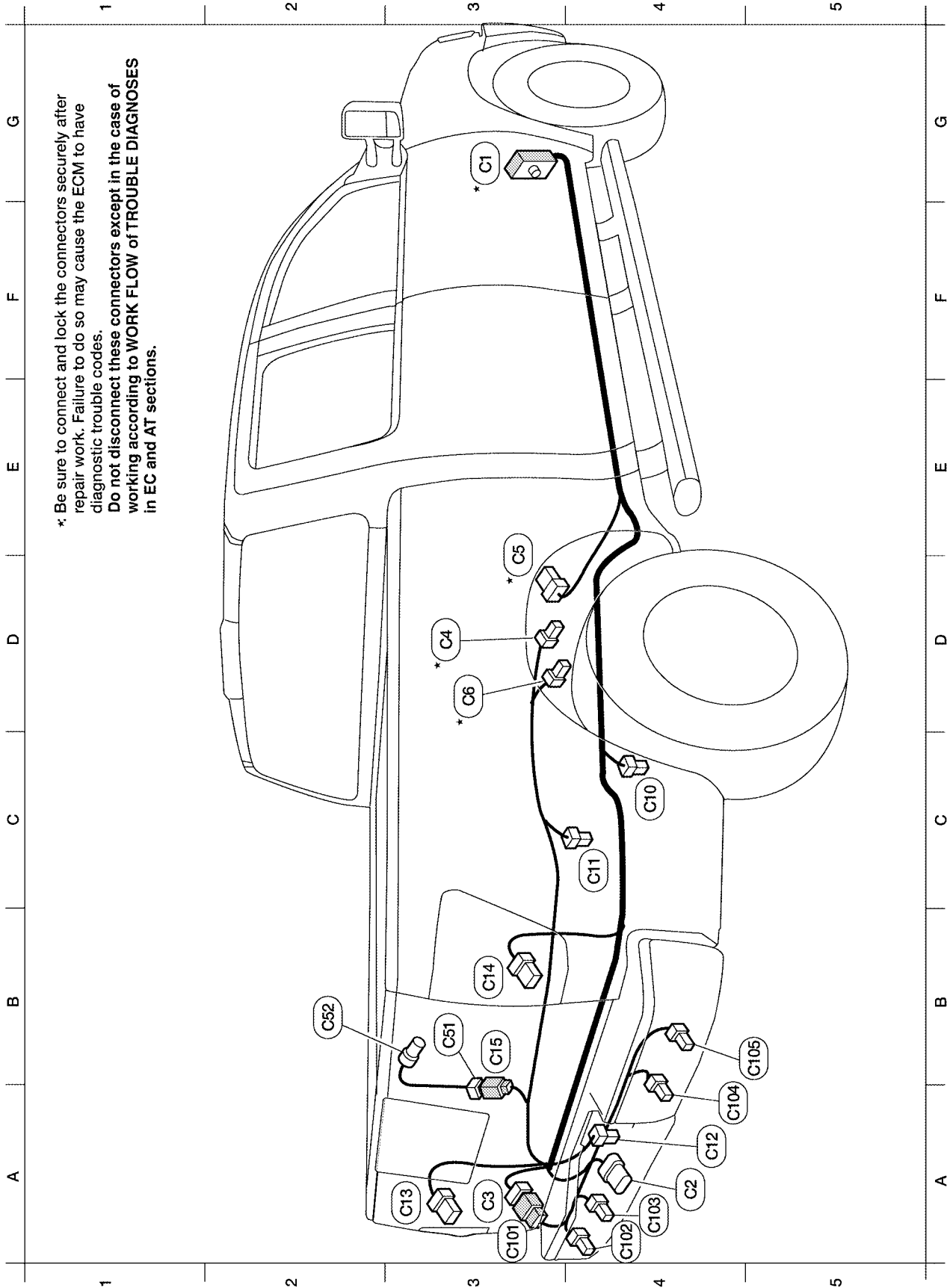
B4	F3	B/1	: A/C Compressor	C3	* F48	GR/3	: Ignition coil No. 3 (with power transistor)
B4	F4	B/3	: Oil pressure sensor	D3	* F49	GR/3	: Ignition coil No. 5 (with power transistor)
C2	* F5	B/6	: Air/fuel ratio (A/F) sensor 1 (bank 2)	B3	* F50	B/6	: Electric throttle control actuator
A3	* F6	GR/3	: Ignition coil No. 2 (with power transistor)	D3	* F51	GR/3	: Ignition coil No. 7 (with power transistor)
B2	* F7	GR/3	: Ignition coil No. 4 (with power transistor)	B1	* F52	GR/3	: Ignition coil No. 8 (with power transistor)
B3	* F8	GR/3	: Ignition coil No. 6 (with power transistor)	C3	* F53	B/6	: Mass air flow sensor
E3	F9	G/10	: A/T assembly	A2	* F54	B/81	: ECM
E3	* F11	B/3	: Crankshaft position sensor (POS)	G3	* F55	B/2	: ATP switch (4WD only)
F2	* F12	G/4	: Heated oxygen sensor 2 (bank 2)	F3	F56	B/8	: Transfer control device (4WD only)
F3	* F13	G/4	: Heated oxygen sensor 2 (bank 1)	G2	F59	GR/2	: Wait detection switch (4WD only)
A2	F14	W/24	: To E5	G2	F60	GR/2	: 4LO switch (4WD only)
C3	* F15	L/2	: EVAP canister purge volume control solenoid valve	D2	* F65	B/6	: Air/fuel ratio (A/F) sensor 1 (bank 1)
C4	* F16	-	: Engine ground	D1	* F68	B/2	: Water valve
A3	* F18	GR/2	: Injector No. 2	Engine control sub-harness			
B2	* F20	GR/2	: Injector No. 4	B3	* F101	B/6	: To F26
D3	* F21	GR/2	: Condenser-1	C3	* F102	GR/2	: Knock sensor (bank 1)
C2	* F22	GR/2	: Injector No. 6	B3	* F103	GR/2	: Engine coolant temperature sensor
D2	* F23	B/3	: Camshaft position sensor (PHASE)	C2	* F104	GR/2	: Knock sensor (bank 2)
F2	F26	W/2	: Diode No. 2				
C3	* F26	B/6	: To F101				
C1	F27	B/1	: Starter motor				
D2	F28	GR/1	: Starter motor				
C3	* F30	GR/2	: Injector No. 1				
C1	* F31	GR/2	: Injector No. 8				
A2	* F32	W/16	: To E2				
B1	* F33	W/16	: To E19				
B1	* F34	W/2	: To E39				
A3	F40	-	: Fusible link box (battery)				
C3	* F41	GR/2	: Injector No. 3				
C2	* F42	GR/2	: Injector No. 5				
D2	* F45	GR/2	: Injector No. 7				
A3	* F46	B/3	: Power steering pressure sensor				
C3	* F47	GR/3	: Ignition coil No. 1 (with power transistor)				

* : Be sure to connect and lock the connectors securely after repair work.
 Failure to do so may cause the ECM to have diagnostic trouble codes.
 Do not disconnect these connectors except in the case of working
 according to WORK FLOW of TROUBLE DIAGNOSES in EC and AT
 sections.

WKIA2863E

HARNESS

CHASSIS HARNESS



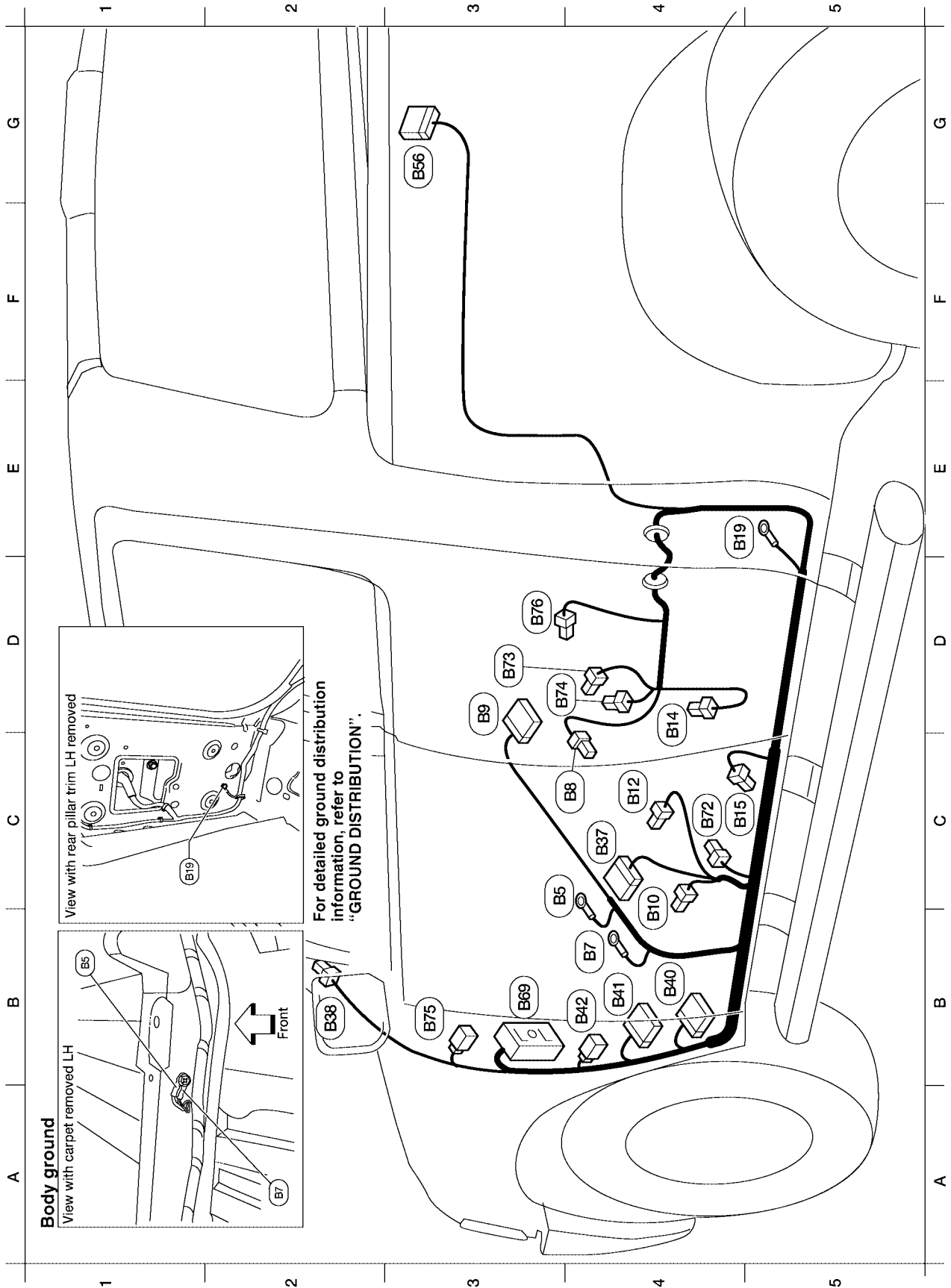
LKIA0458E

G3 * C1 SMJ : To E41
 A4 C2 B/7 : Trailer
 A3 C3 GR/6 : To C101
 D3 * C4 GR/3 : EVAP control system pressure sensor
 D3 * C5 GR/5 : Fuel level sensor unit and fuel pump
 D3 * C6 B/2 : EVAP canister vent control valve
 C4 C10 GR/2 : Rear wheel sensor RH
 C4 C11 BR/2 : Rear wheel sensor LH
 A4 C12 W/2 : License plate lamps
 A3 C13 GR/8 : Rear combination lamp LH
 B3 C14 GR/8 : Rear combination lamp RH
 B3 C15 W/2 : To C51
 Rear power socket sub-harness
 B3 C51 W/2 : To C15
 B2 C52 BR/2 : Rear cargo bed power socket
 Rear sonar system sensor sub-harness
 A3 C101 GR/6 : To C3
 A4 C102 B/3 : Rear sonar system sensor (LH outer)
 A4 C103 B/3 : Rear sonar system sensor (LH inner)
 A4 C104 B/3 : Rear sonar system sensor (RH inner)
 B5 C105 B/3 : Rear sonar system sensor (RH outer)

* : Be sure to connect and lock the connectors securely after repair work.
 Failure to do so may cause the ECM to have diagnostic trouble codes.
 Do not disconnect these connectors except in the case of working
 according to WORK FLOW of TROUBLE DIAGNOSES in EC and AT
 sections.

HARNESS

BODY HARNESS (KING CAB MODELS)



WKIA2864E

HARNESS

C3	(B5)	-	: Body ground (LH satellite sensor)
B4	(B7)	-	: Body ground
C4	(B8)	W/3	: Front door switch LH
D3	(B9)	Y/12	: Air bag diagnosis sensor unit
B4	(B10)	Y/2	: Front LH side air bag module
C4	(B12)	W/3	: Seat belt buckle switch LH
D4	(B14)	Y/2	: Front LH seat belt pre-tensioner
C4	(B15)	Y/2	: LH side air bag (satellite) sensor
E5	(B19)	-	: Body ground
C4	(B37)	W/16	: To (P1)
B2	(E38)	Y/2	: LH side curtain air bag module
B4	(E40)	W/24	: To (E34)
B4	(E41)	W/12	: To (E35)
B4	(E42)	W/2	: To (E36)
G3	(E56)	W/16	: Sonar control unit
B3	(E69)	SMJ	: To (N40)
C4	(E72)	W/4	: Subwoofer (with premium audio system)
D3	(E73)	B/2	: Rear door switch upper LH
D3	(E74)	B/2	: Rear door switch lower LH
B3	(E75)	BR/2	: To (E50)
D3	(E76)	W/2	: Rear door speaker LH

A
B
C
D
E
F
G
H
I
J

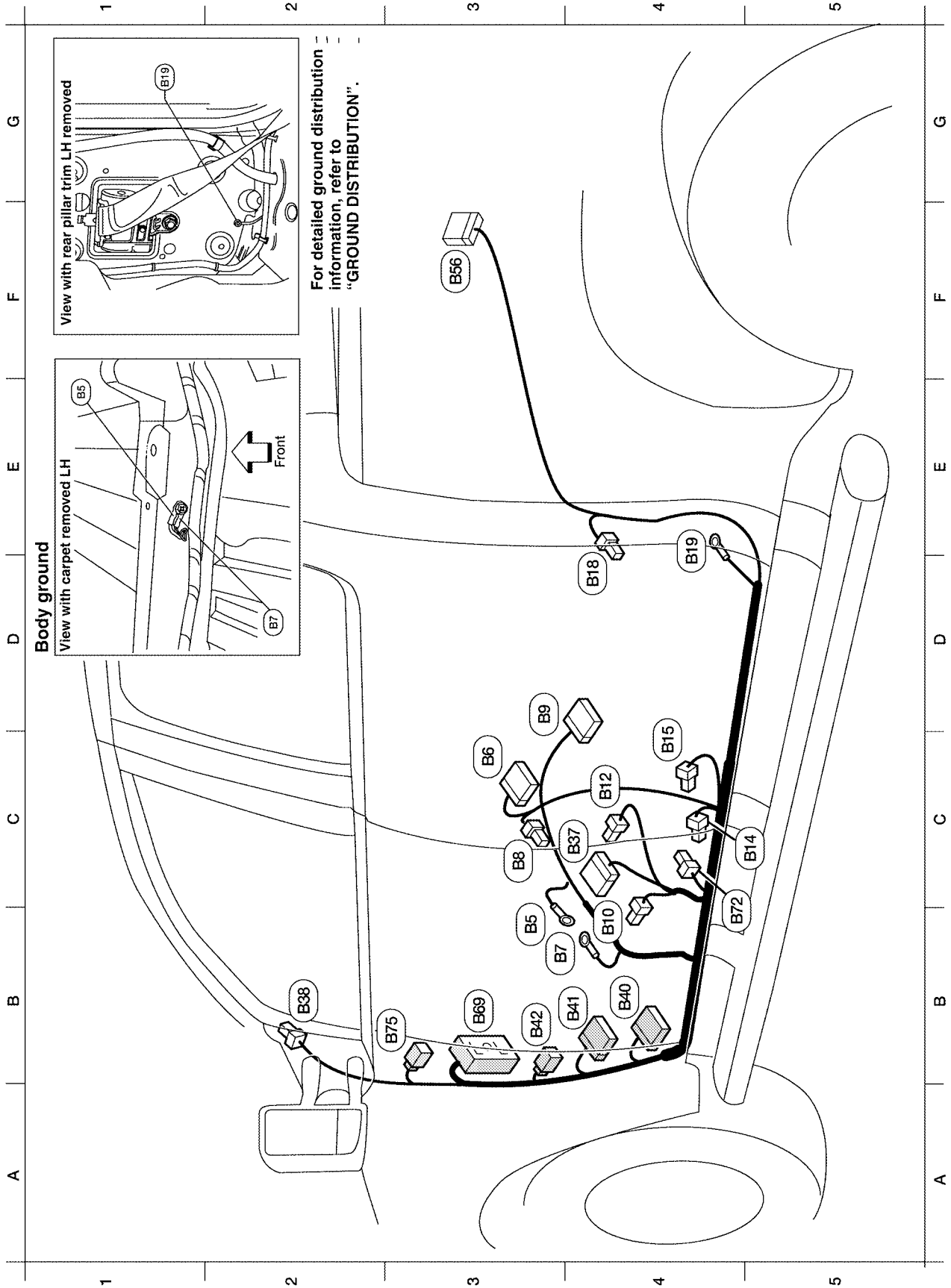
PG

L
M

WKIA2865E

HARNESS

BODY HARNESS (CREW CAB MODELS)



LKIA0471E

HARNESS

B3 (E5) - : Body ground (LH satellite sensor)
C3 (B6) W/18 : To (D20)
B3 (E7) - : Body ground
C3 (E8) W/3 : Front door switch LH
C3 (E9) Y/12 : Air bag diagnosis sensor unit
B4 (E10) Y/2 : Front LH side air bag module
C3 (E12) W/3 : Seat belt buckle switch LH
C4 (E14) Y/2 : Front LH seat belt pre-tensioner
C4 (E15) Y/2 : LH side air bag (satellite) sensor
D4 (E18) W/3 : Rear door switch LH
E4 (E19) - : Body ground
C3 (B37) W/16 : To (P1)
B2 (E38) Y/2 : LH side curtain air bag module
B4 (E40) W/24 : To (E34)
B4 (E41) W/12 : To (E35)
B3 (E42) W/2 : To (E36)
F3 (E56) W/16 : Sonar control unit
B3 (E69) SMJ : To (M40)
B4 (E72) W/4 : Subwoofer (with premium audio system)
B3 (E75) BR/2 : To (E50)

A
B
C
D
E
F
G
H
I
J

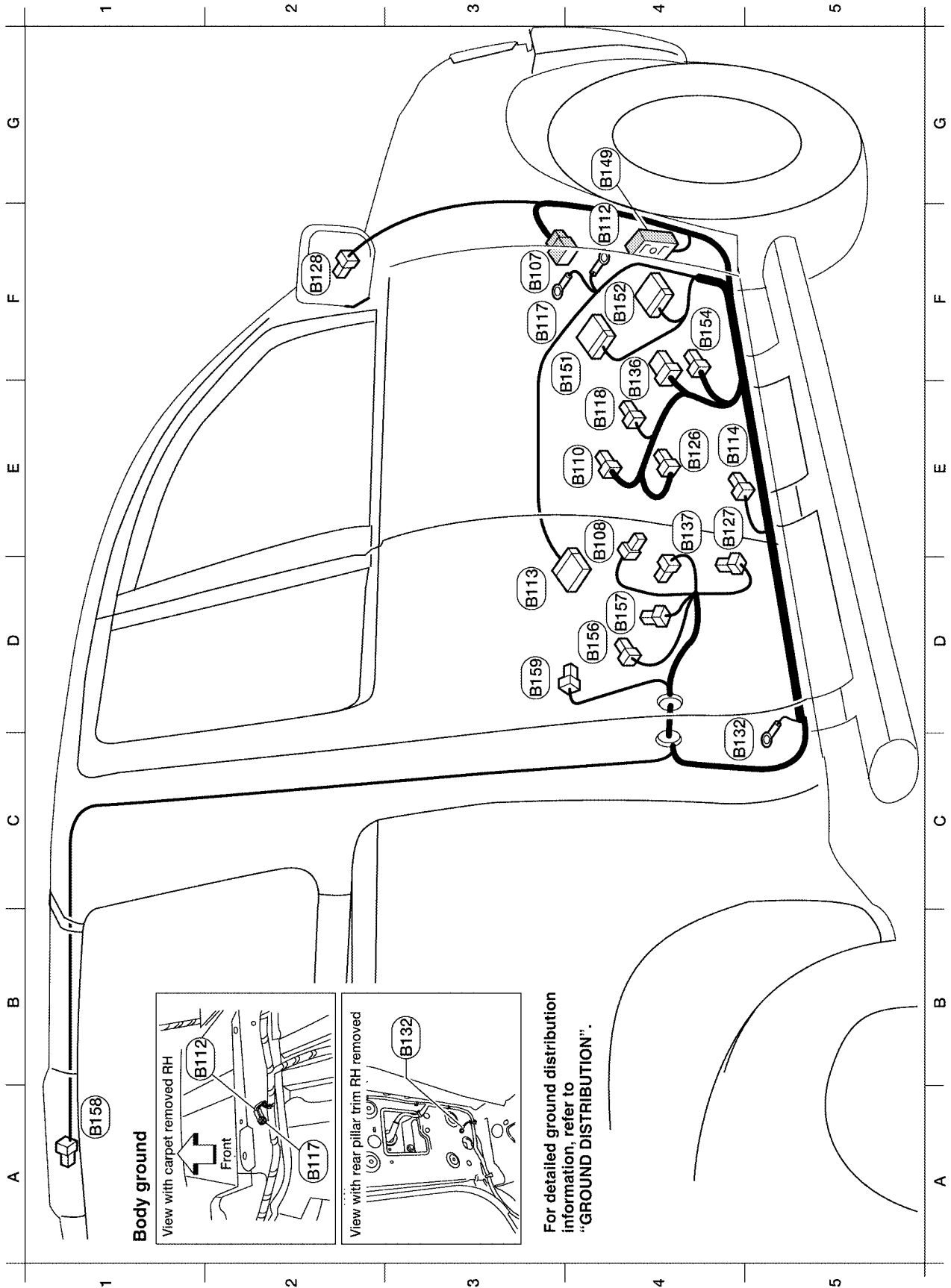
PG

L
M

WKIA2866E

HARNESS

BODY NO. 2 HARNESS (KING CAB MODELS)



LKIA0462E

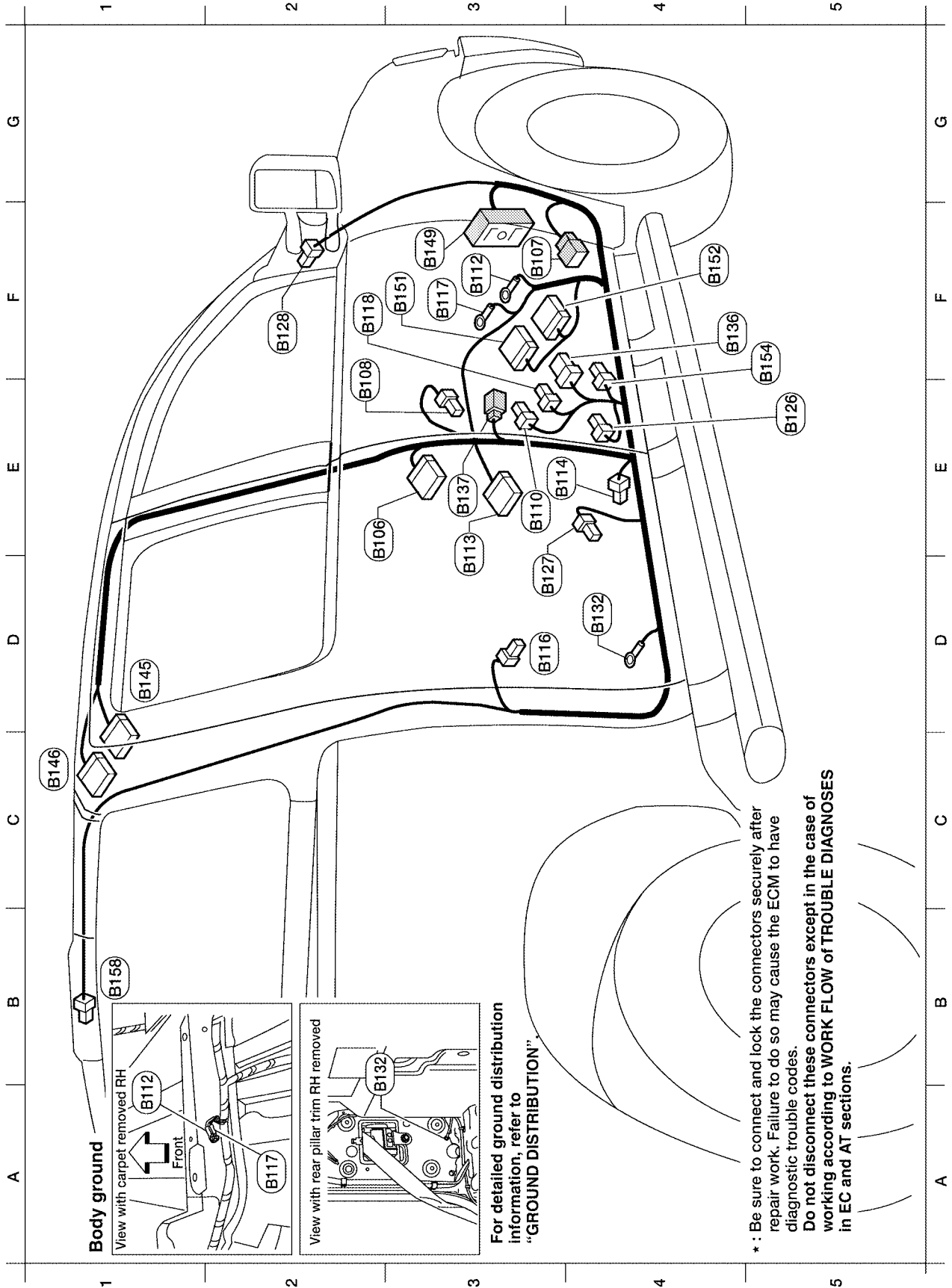
HARNESS

F3	(E107)	W/8	: To (E139)	G4	(E149)	SMJ	: To (M36)
D4	(E108)	W/3	: Front door switch RH	F4	(E151)	W/24	: NAVI control unit (with NAVI)
E4	(E110)	W/3	: Seat belt buckle switch RH	F4	(E152)	GR/24	: NAVI control unit (with NAVI)
F4	(E112)	-	: Body ground (RH satellite sensor)	F4	(E154)	W/2	: To (P103)
D3	(E113)	Y/12	: Air bag diagnosis sensor unit	D4	(E156)	B/2	: Rear door switch upper RH
E5	(E114)	Y/2	: RH side air bag (satellite) sensor	D4	(E157)	B/2	: Rear door switch lower RH
F3	(E117)	-	: Body ground	A1	(E158)	W/3	: High mounted stop lamp
E4	(E118)	W/3	: Front seat heater RH	D3	(E159)	W/2	: Rear door speaker RH
E4	(E126)	Y/2	: Front RH side air bag module				
D5	(E127)	Y/2	: Front RH seat belt pre-tensioner				
F2	(E128)	Y/2	: RH side curtain air bag module				
C4	(E132)	-	: Body ground				
E4	(E136)	W/8	: To (P151)				
D4	(E137)	B/3	: Belt tension sensor				

A
B
C
D
E
F
G
H
I
J
PG
L
M

HARNESS

BODY NO. 2 HARNESS (CREW CAB MODELS)



LKIA0473E

HARNESS

D3	(E106)	W/18	:	To	(O307)
F3	(E107)	W/8	:	To	(E139)
E2	(E108)	W/3	:	Front door switch RH	
E4	(E110)	W/3	:	Seat belt buckle switch RH	
F3	(E112)	-	:	Body ground (RH satellite sensor)	
E3	(E113)	Y/12	:	Air bag diagnosis sensor unit	
E3	(E114)	Y/2	:	RH side air bag (satellite) sensor	
D3	(E116)	W/3	:	Rear door switch RH	
F3	(E117)	-	:	Body ground	
F2	(E118)	W/3	:	Front seat heater RH	
E5	(E126)	Y/2	:	Front RH side air bag module	
D4	(E127)	Y/2	:	Front RH seat belt pre-tensioner	
F2	(E128)	Y/2	:	RH side curtain air bag module	
D4	(E132)	-	:	Body ground	
F4	(E136)	W/8	:	To	(F161)
E3	(E137)	B/3	:	Belt tension sensor	
D1	(E145)	BR/24	:	To	(R20D)
C1	(E146)	W/16	:	To	(R207)

F3	(E149)	SMJ	:	To	(M36)
F3	(E151)	W/24	:	NAVI control unit (with NAVI)	
F4	(E152)	GR/24	:	NAVI control unit (with NAVI)	
F5	(E154)	W/2	:	To	(F103)

A
B
C
D
E
F
G
H
I
J

PG

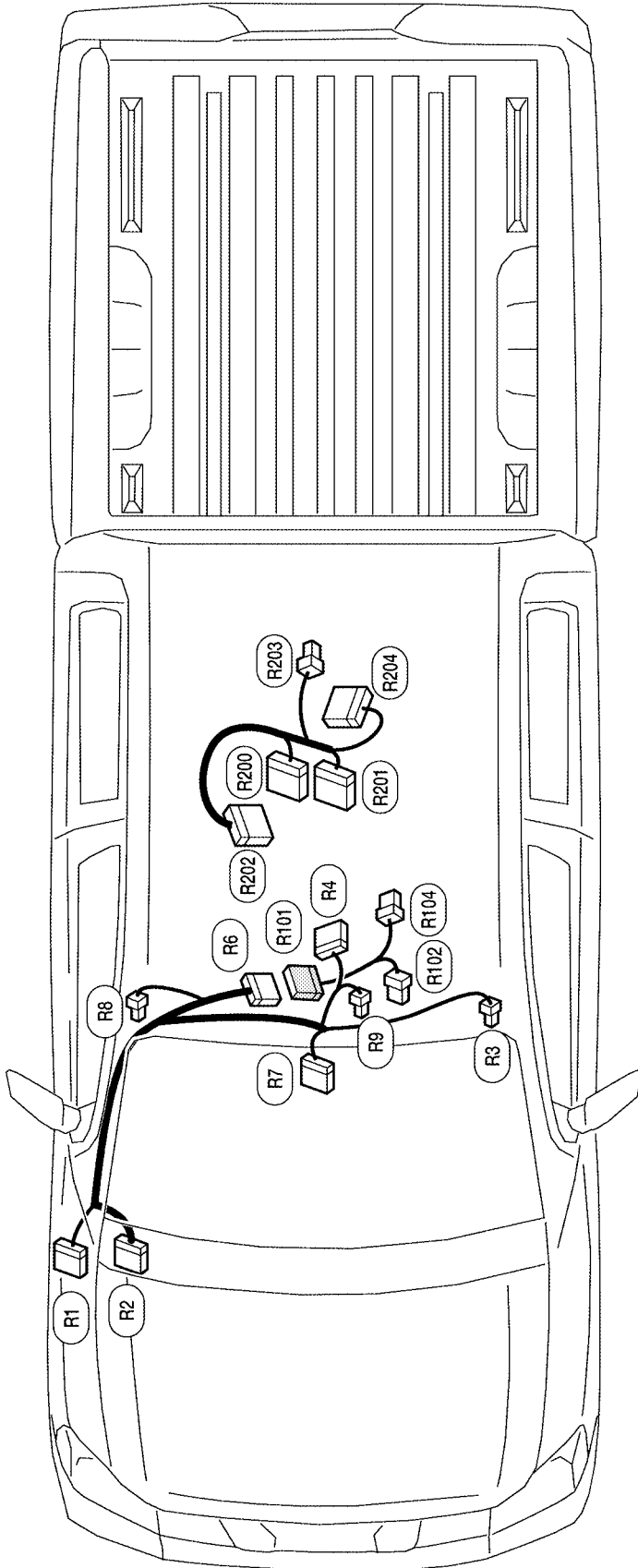
L

M

WKIA1740E

HARNESS

ROOM LAMP HARNESS



Room lamp sub-harness B (Crew Cab)

- (R200) BR/24 : To (B145)
- (R201) W/16 : To (B146)
- (R202) W/12 : Video monitor
- (R203) W/3 : Personal lamp 2nd row
- (R204) W/16 : Rear audio remote control unit

- (R1) W/16 : To (M1)
- (R2) W/12 : To (M2)
- (R3) W/2 : Vanity lamp LH
- (R4) W/10 : Sunroof motor assembly
- (R6) W/24 : To (R101)
- (R7) B/10 : Auto anti-dazzling inside mirror
- (R8) W/2 : Vanity lamp RH
- (R9) W/2 : Room lamp

Room lamp sub-harness A (Crew Cab)

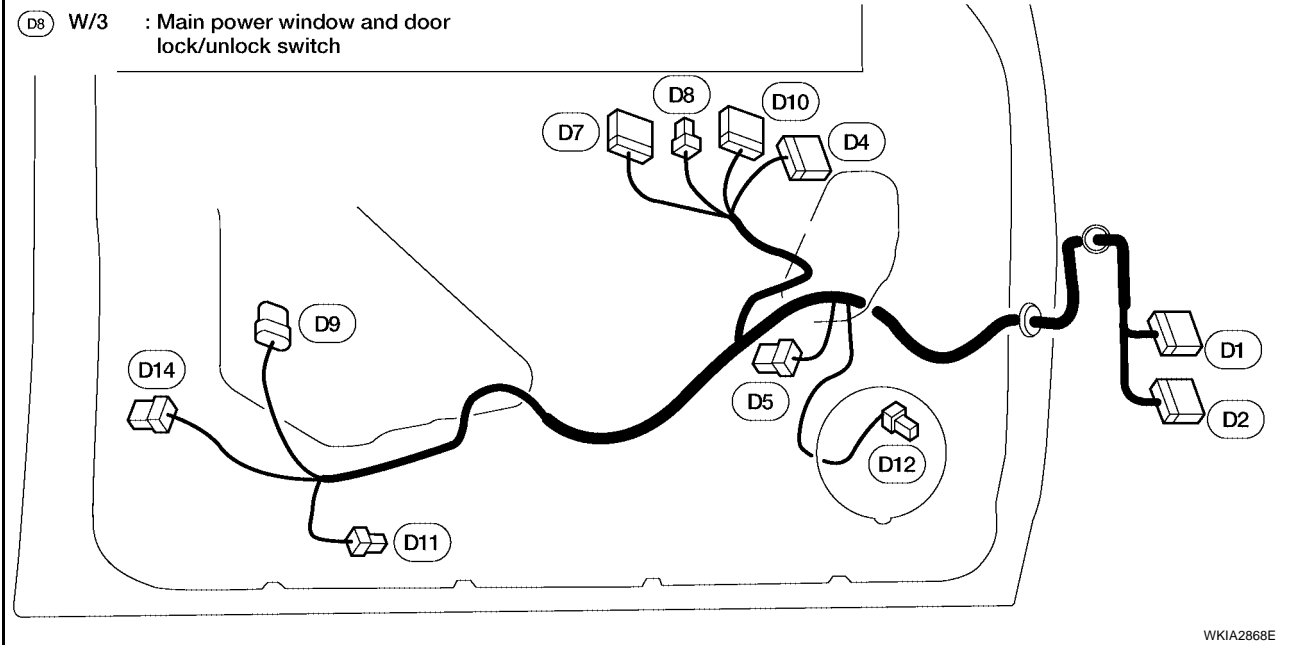
- (R101) W/24 : To (R6)
- (R102) W/8 : Front room/map lamp assembly
- (R104) GR/6 : Sunroof switch

LKIA0464E

HARNESS

FRONT DOOR HARNESS LH

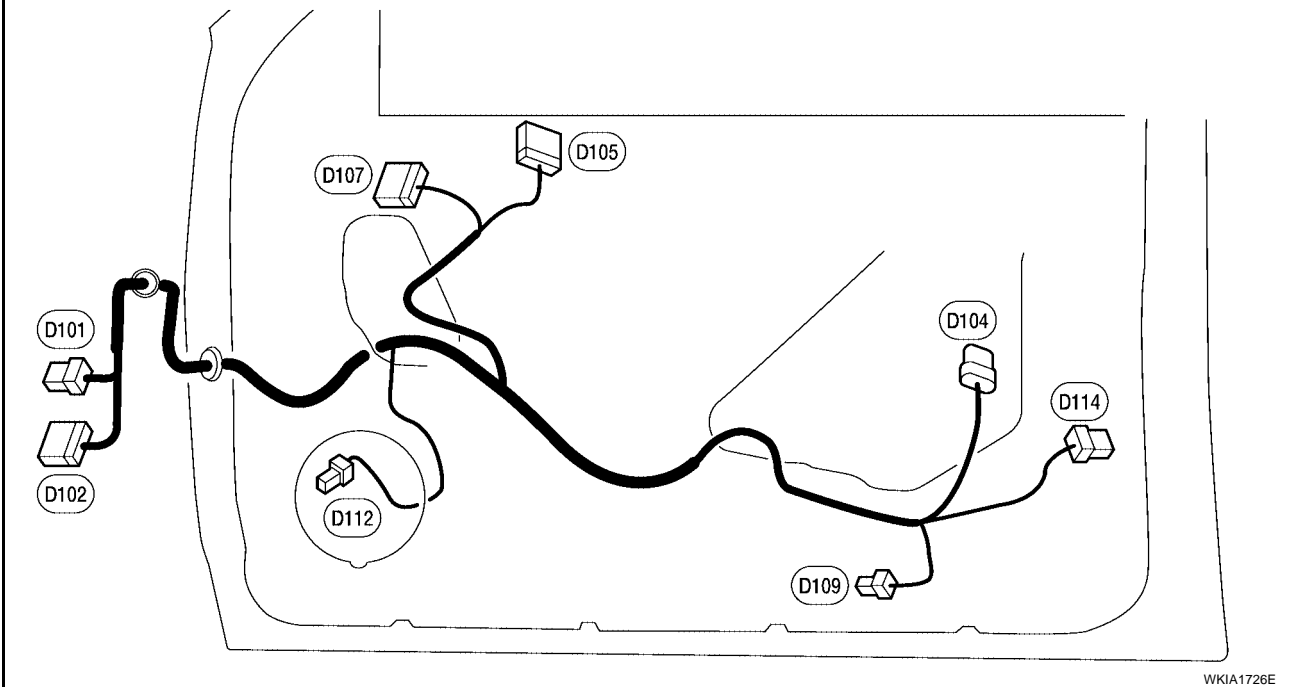
- | | |
|--|--|
| ⓁD1 BR/24 : To ⓁM9 | ⓁD9 GR/6 : Front power window motor LH |
| ⓁD2 W/16 : To ⓁM8 | ⓁD10 W/10 : Door mirror switch |
| ⓁD4 W/16 : Door mirror LH | ⓁD11 W/2 : Front step lamp LH |
| ⓁD5 W/8 : Seat memory switch | ⓁD12 W/2 : Front door speaker LH |
| ⓁD7 W/16 : Main power window and door lock/unlock switch | ⓁD14 B/6 : Front door lock assembly LH (key cylinder switch) |
| ⓁD8 W/3 : Main power window and door lock/unlock switch | |



WKIA2868E

FRONT DOOR HARNESS RH

- | | |
|--|---|
| ⓁD101 W/8 : To ⓁM75 | ⓁD107 W/16 : Door mirror RH |
| ⓁD102 W/20 : To ⓁM74 | ⓁD109 W/2 : Front step lamp RH |
| ⓁD104 GR/6 : Front power window motor RH | ⓁD112 W/2 : Front door speaker RH |
| ⓁD105 W/16 : Power window and door lock/unlock switch RH | ⓁD114 B/6 : Front door lock actuator RH |

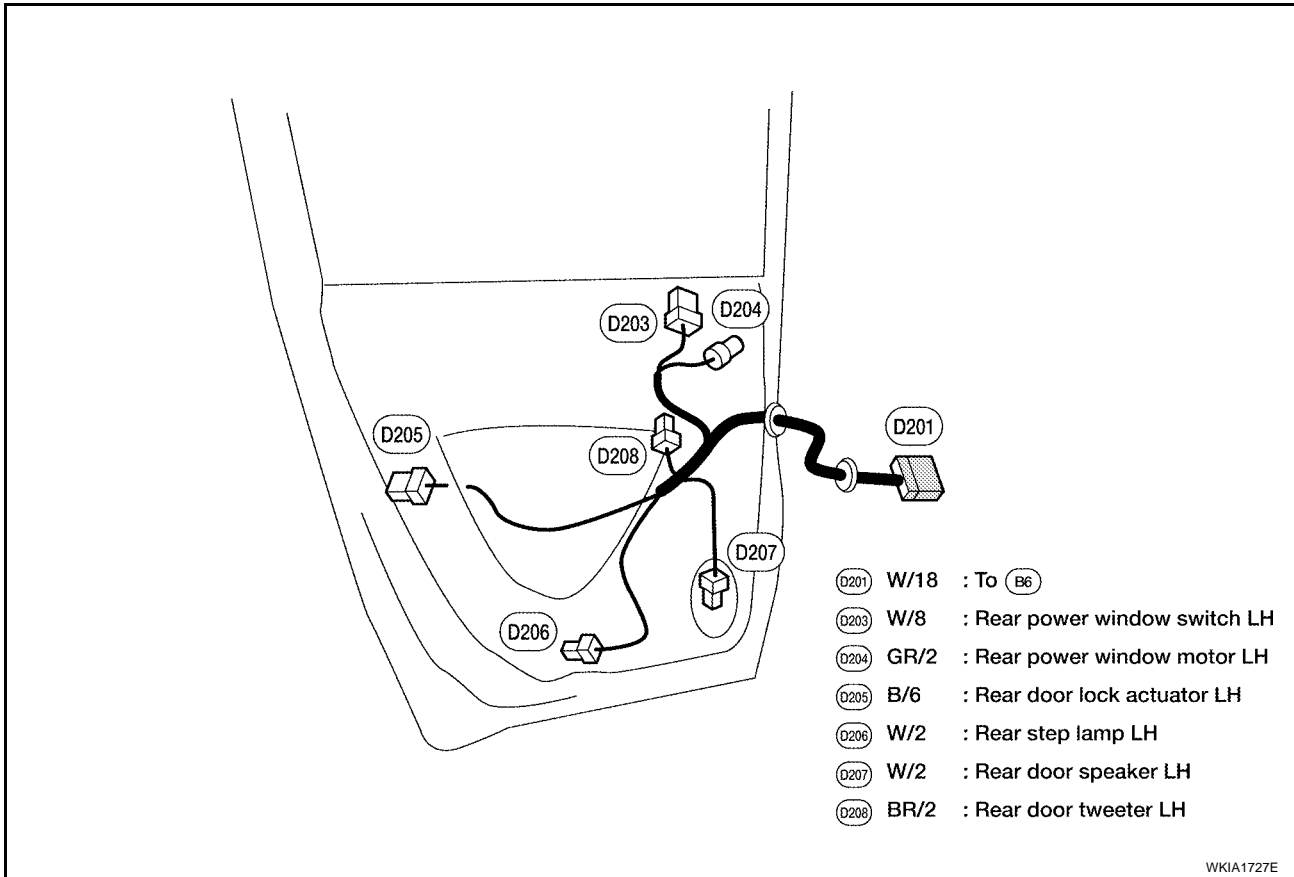


WKIA1726E

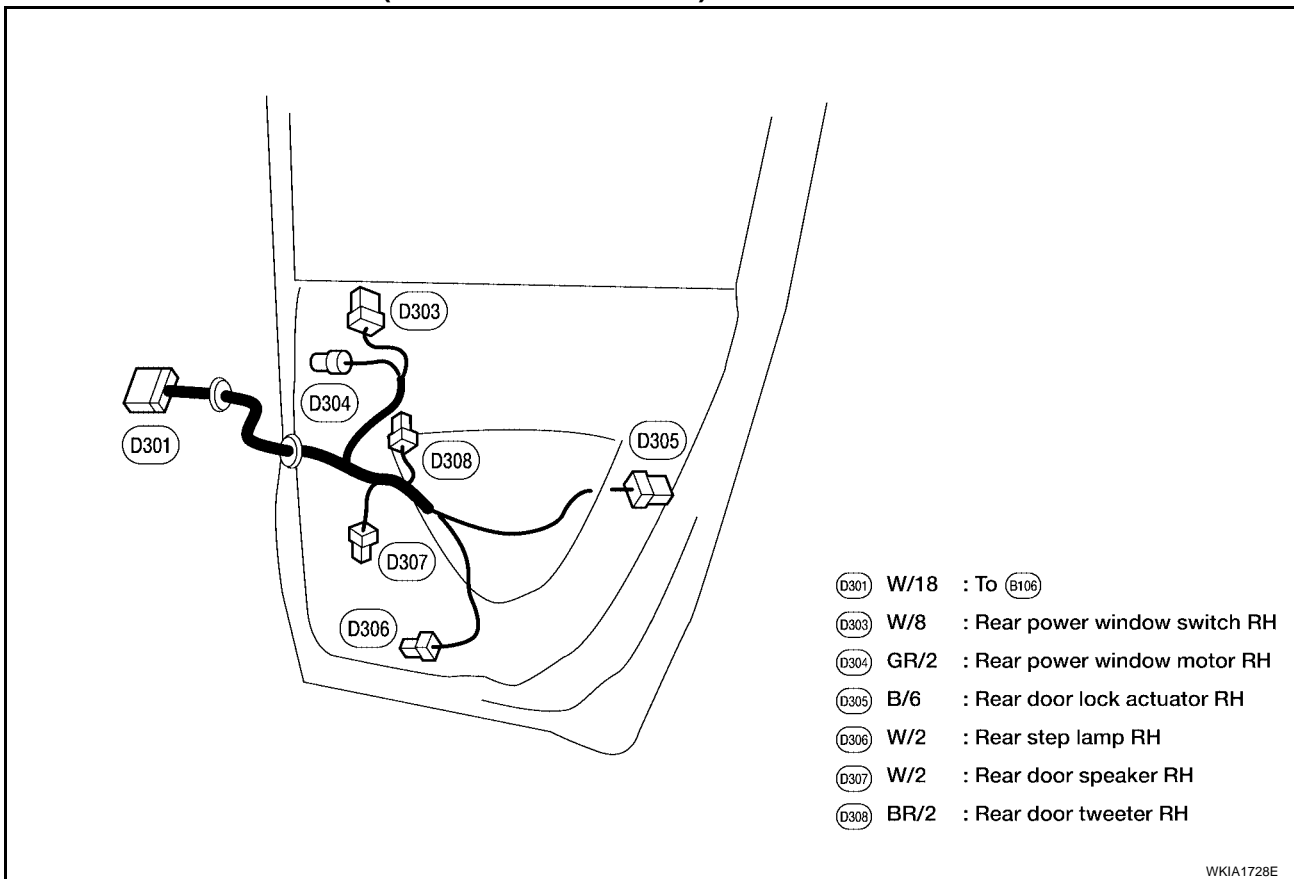
A
B
C
D
E
F
G
H
I
J
PG
L
M

HARNESS

REAR DOOR HARNESS LH (CREW CAB MODELS)



REAR DOOR HARNESS RH (CREW CAB MODELS)



HARNESS

EKS00700

Wiring Diagram Codes (Cell Codes)

Use the chart below to find out what each wiring diagram code stands for.

Refer to the wiring diagram code in the alphabetical index to find the location (page number) of each wiring diagram.

Code	Section	Wiring Diagram Name
A/C,M	MTC	Manual Air Conditioner
AF1B1	EC	Air Fuel Ratio Sensor 1 Bank 1
AF1B2	EC	Air Fuel Ratio Sensor 1 Bank 2
APPS1	EC	Accelerator Pedal Position Sensor
APPS2	EC	Accelerator Pedal Position Sensor
APPS3	EC	Accelerator Pedal Position Sensor
ABS	BRC	Anti-Lock Brake System
ASC/BS	EC	ASCD Brake Switch
ASC/SW	EC	ASCD Steering Switch
ASCBOF	EC	ASCD Brake Switch
ASCIND	EC	ASCD Indicator
A/T	AT	A/T Assembly
AT/IND	DI	A/T Indicator Lamp
AUDIO	AV	Audio
AUTO/DP	SE	Automatic Drive Positioner
AUTO/L	LT	Auto Light Control
BACK/L	LT	Back-up Lamp
BRK/SW	EC	Brake Switch
CAN	EC	CAN Communication Line
CAN	LAN	CAN System
CHARGE	SC	Charging System
COOL/F	EC	Cooling Fan Control
COMBSW	LT	Combination Switch
COMM	AV	Audio Visual Communication System
COMPAS	DI	Compass and Thermometer
D/LOCK	BL	Power Door Lock
DEF	GW	Rear Window Defogger
DTRL	LT	Headlamp - With Daytime Light System
DVD	AV	DVD Entertainment System
ECM/PW	EC	ECM Power Supply for Back-Up
ECTS	EC	Engine Coolant Temperature Sensor
ETC1	EC	Electric Throttle Control Function
ETC2	EC	Throttle Control Motor Relay
ETC3	EC	Throttle Control Motor
F/FOG	LT	Front Fog Lamp
F/PUMP	EC	Fuel Pump
FTTS	EC	Fuel Tank Temperature Sensor
FUELB1	EC	Fuel Injection System Bank 1
FUELB2	EC	Fuel Injection System Bank 2
H/LAMP	LT	Headlamp
HORN	WW	Horn
HSEAT	SE	Heated Seat
I/MIRR	GW	Inside Mirror (Auto Anti-Dazzling Mirror)
IATS	EC	Intake Air Temperature Sensor
IGNSYS	EC	Ignition System
ILL	LT	Illumination
INJECT	EC	Injectors

HARNESSES

INT/L	LT	Room/Map, Vanity, Cargo, Personal, Foot, Step, and Puddle Lamps
KEYLES	BL	Remote Keyless Entry System
KS	EC	Knock Sensor
MAFS	EC	Mass Air Flow Sensor
MAIN	EC	Main Power Supply and Ground Circuit
METER	DI	Speedometer, Tachometer, Temp. and Fuel Gauges
MIL/DL	EC	Malfunction Indicator Lamp
MIRROR	GW	Door Mirror
MMSW	AT	Manual Mode Switch
NATS	BL	Nissan Anti-Theft System
NAVI	AV	Navigation System
O2H2B1	EC	Rear Heated Oxygen Sensor 2 Heater Bank 1
O2H2B2	EC	Rear Heated Oxygen Sensor 2 Heater Bank 2
O2S2B1	EC	Heated Oxygen Sensor 2 Bank 1
O2S2B2	EC	Heated Oxygen Sensor 2 Bank 2
P/SCKT	WW	Power Socket
PEDAL	AP	Adjustable Pedal System
PGC/V	EC	EVAP Canister Purge Volume Control Solenoid Valve
PHASE	EC	Camshaft Position Sensor (PHASE) (Bank 1)
PNP/SW	EC	Park/Neutral Position Switch
POS	EC	Crankshaft Position Sensor (POS)
POWER	PG	Power Supply Routing
PRE/SE	EC	EVAP Control System Pressure Sensor
PS/SEN	EC	Power Steering Pressure Sensor
RP/SEN	EC	Refrigerant Pressure Sensor
SEAT	SE	Power Seat
SEN/PW	EC	Sensor Power Supply
SHIFT	AT	A/T Shift Lock System
SONAR	DI	Rear Sonar System
SROOF	RF	Sunroof
SRS	SRS	Supplemental Restraint System
START	SC	Starting System
STOP/L	LT	Stop Lamp
T/TOW	LT	Trailer Tow
T/WARN	WT	Low Tire Pressure Warning System
TAIL/L	LT	Parking, License and Tail Lamps
T/F	TF	Transfer Case
TPS1	EC	Throttle Position Sensor
TPS2	EC	Throttle Position Sensor
TPS3	EC	Throttle Position Sensor
TRNSCV	BL	HOMELINK® Universal Transceiver
TURN	LT	Turn Signal and Hazard Warning Lamps
VDC	BRC	Vehicle Dynamic Control System
VEHSEC	BL	Vehicle security (theft warning) system
VENT/V	EC	EVAP Canister Vent Control Valve
WARN	DI	Warning Lamps
WINDOW	GW	Power Window
WIPER	WW	Front Wiper and Washer

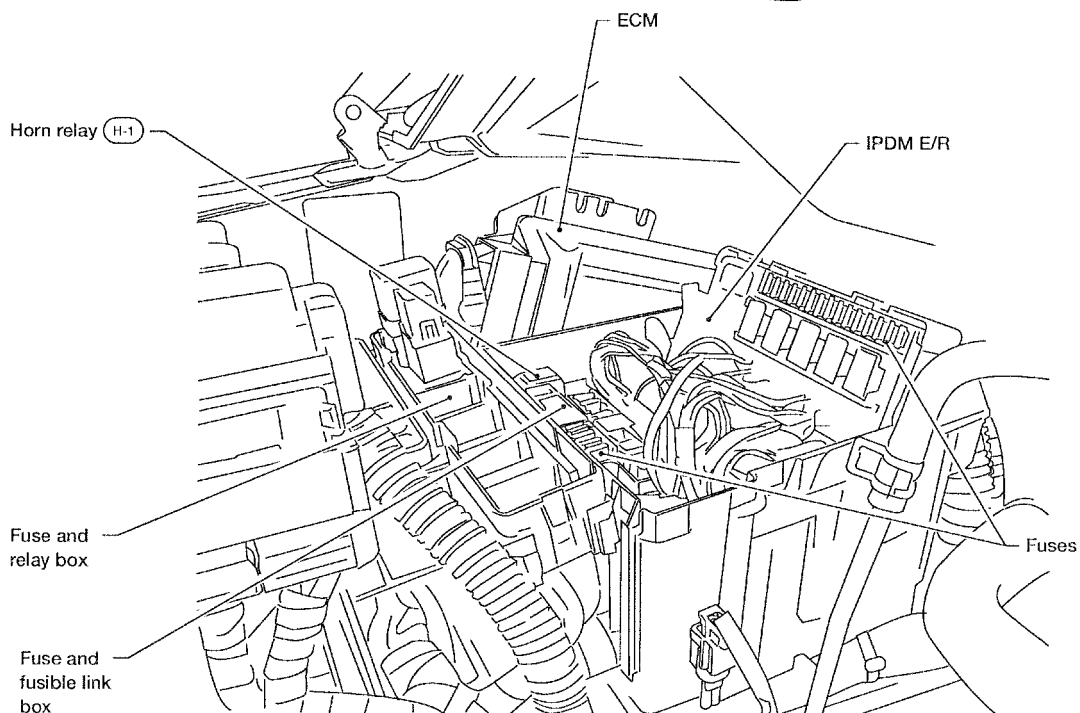
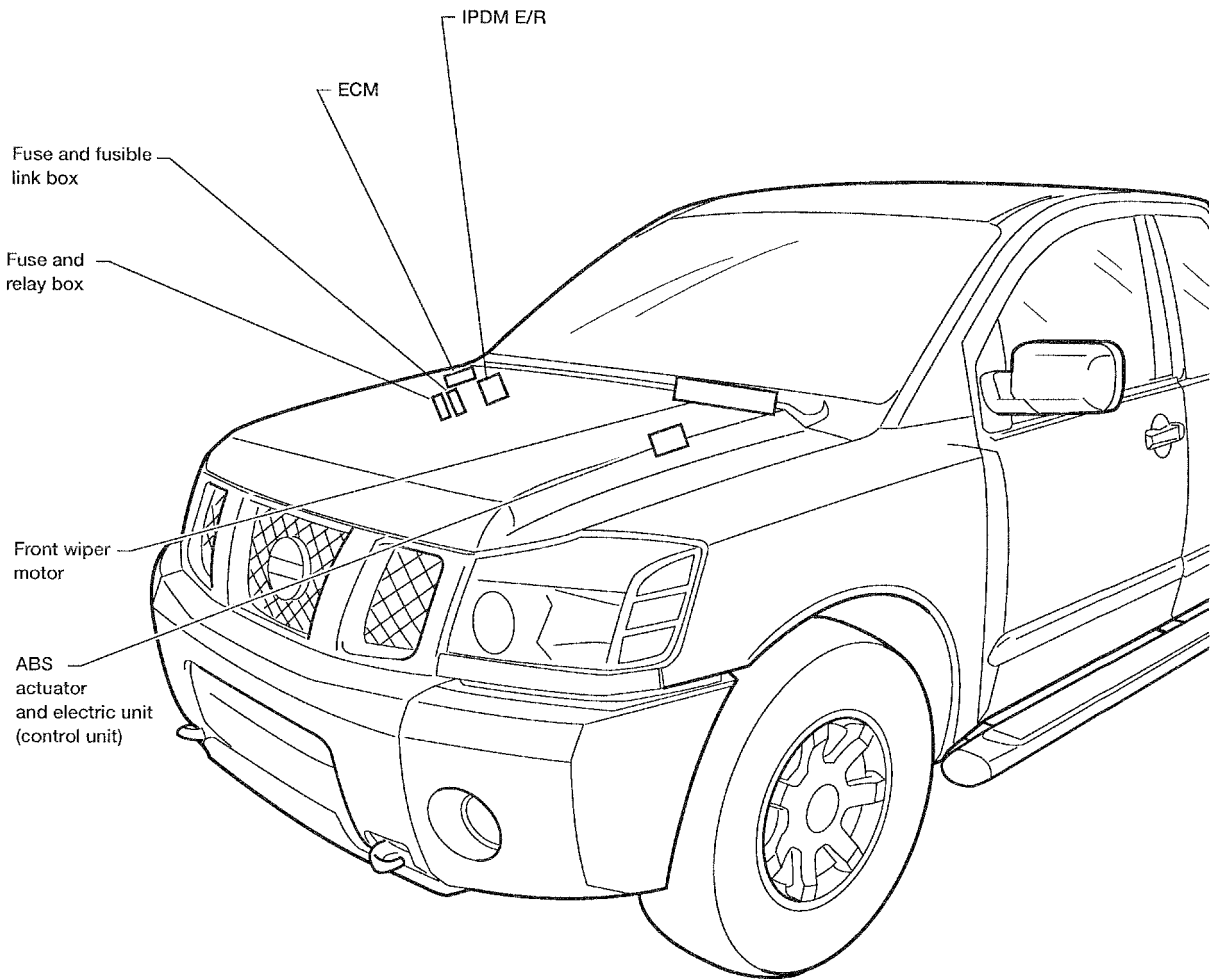
ELECTRICAL UNITS LOCATION

ELECTRICAL UNITS LOCATION

PFP:25230

Electrical Units Location ENGINE COMPARTMENT

EKS007QR

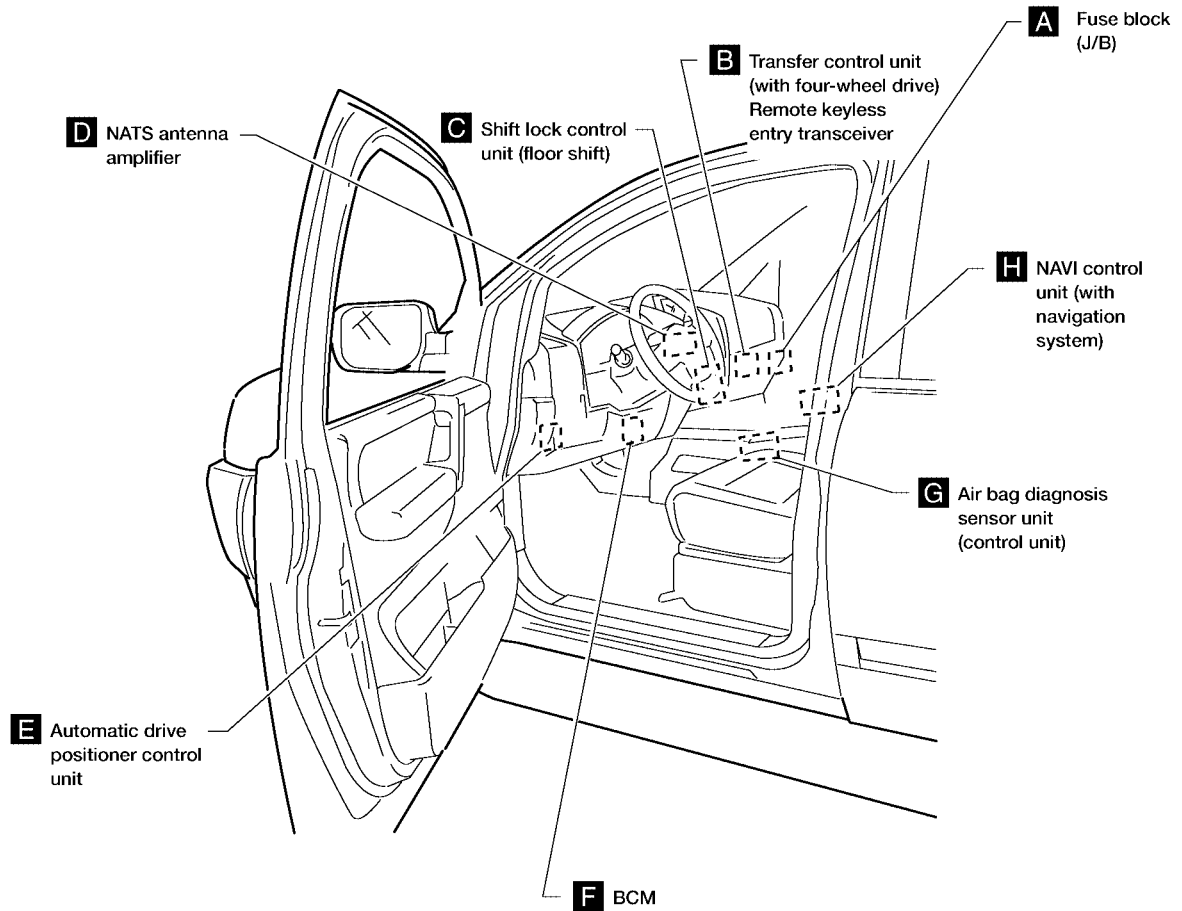


A
B
C
D
E
F
G
H
I
J
L
M

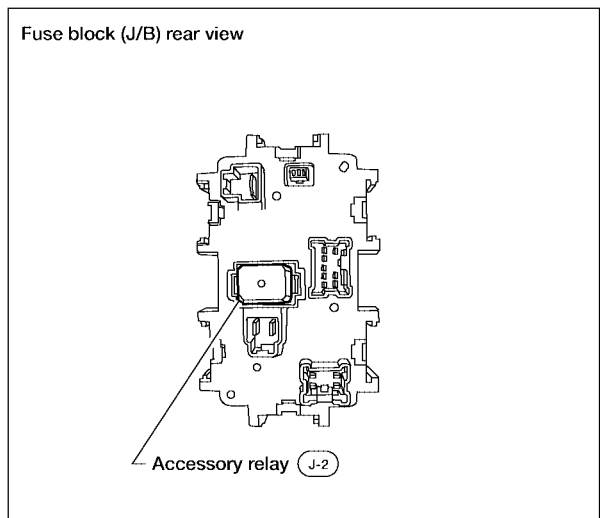
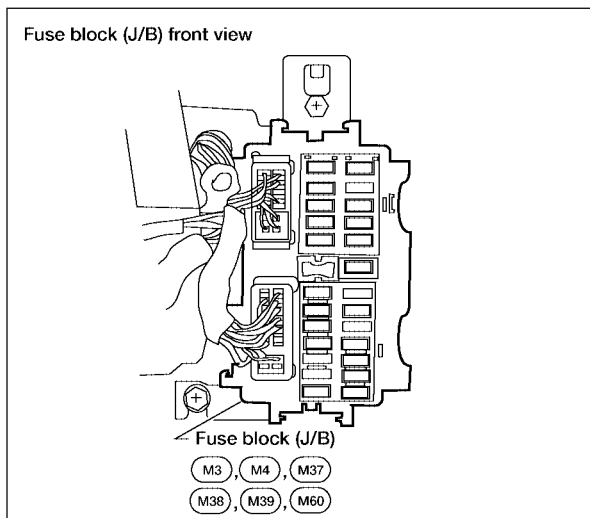
PG

ELECTRICAL UNITS LOCATION

PASSENGER COMPARTMENT

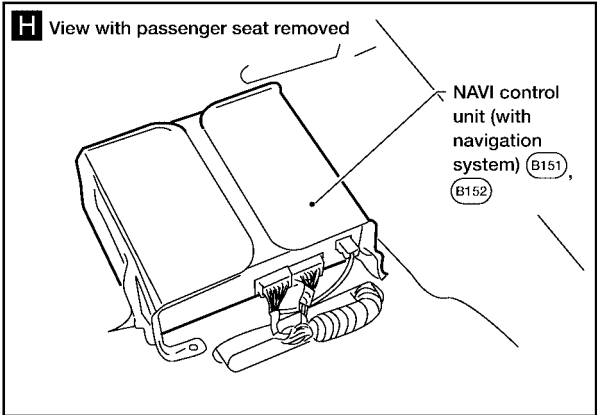
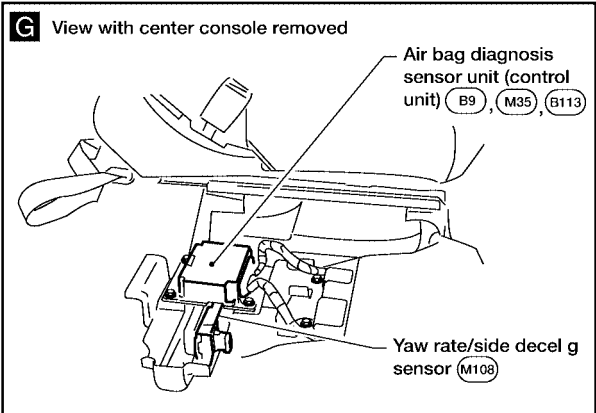
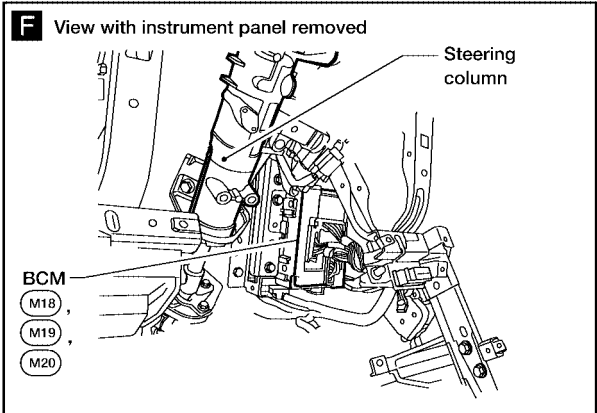
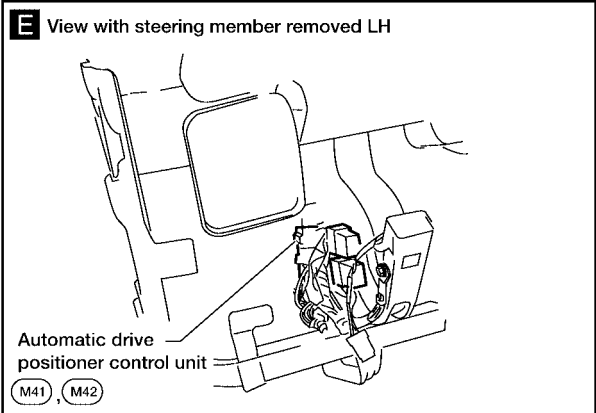
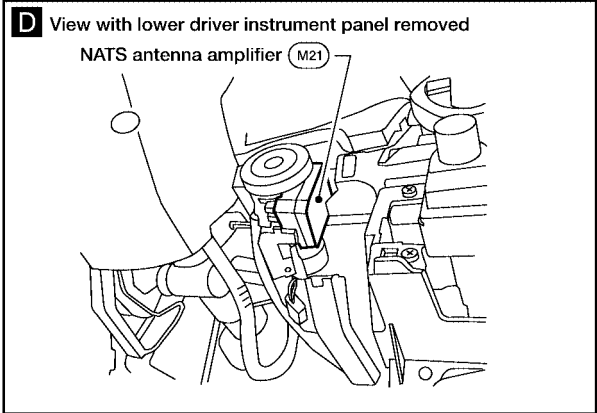
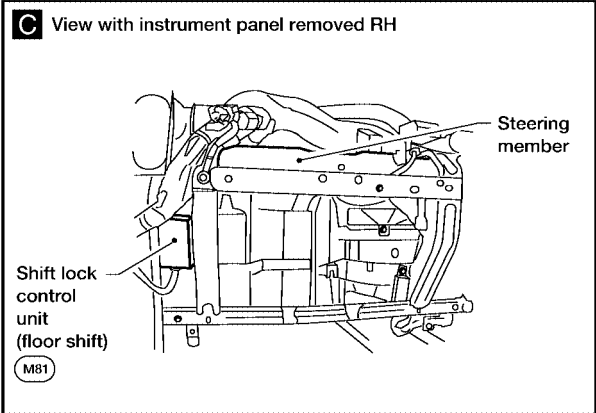
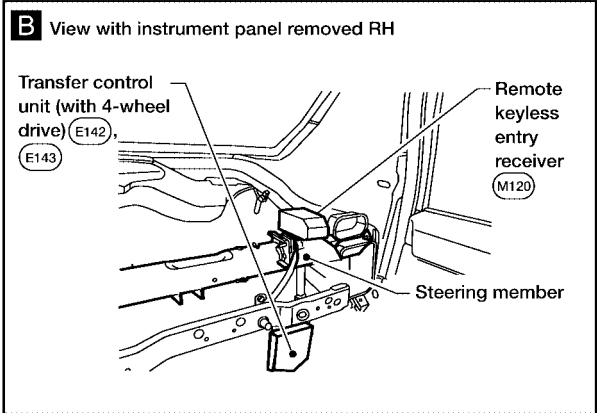


A Instrument panel side RH



WKIA2872E

ELECTRICAL UNITS LOCATION



A
B
C
D
E
F
G
H
I
J
L
M

PG

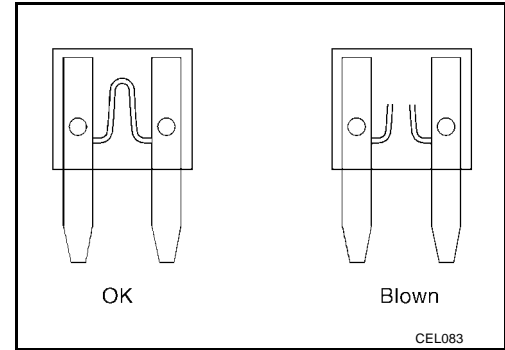
WKIA1705E

ELECTRICAL UNITS LOCATION

Fuse

EKS007QS

- If fuse is blown, be sure to eliminate cause of incident before installing new fuse.
- Use fuse of specified rating. Never use fuse of more than specified rating.
- Do not partially install fuse; always insert it into fuse holder properly.
- Remove fuse for "ELECTRICAL PARTS (BAT)" if vehicle is not used for a long period of time.



Fusible Link

EKS007QT

A melted fusible link can be detected either by visual inspection or by feeling with finger tip. If its condition is questionable, use circuit tester or test lamp.

CAUTION:

- If fusible link should melt, it is possible that critical circuit (power supply or large current carrying circuit) is shorted. In such a case, carefully check and eliminate cause of incident.
- Never wrap outside of fusible link with vinyl tape.
- Never let fusible link touch any other wiring harness, vinyl or rubber parts.

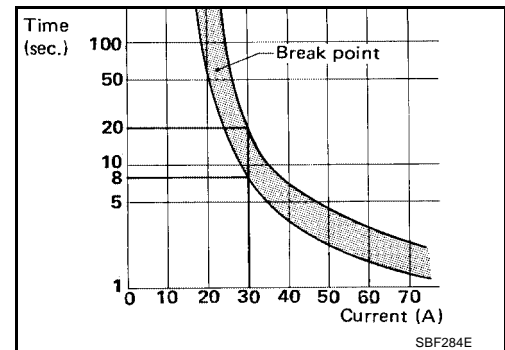
Circuit Breaker (Built Into BCM)

EKS007QU

For example, when current is 30A, the circuit is broken within 8 to 20 seconds.

A circuit breaker is used for the following systems:

- Power seat
- Power windows
- Power door locks
- Remote keyless entry system
- Power sunroof
- Rear window wiper



SBF284E

HARNESS CONNECTOR

PF0:B4341

EKS007QV

HARNESS CONNECTOR

Description

HARNESS CONNECTOR (TAB-LOCKING TYPE)

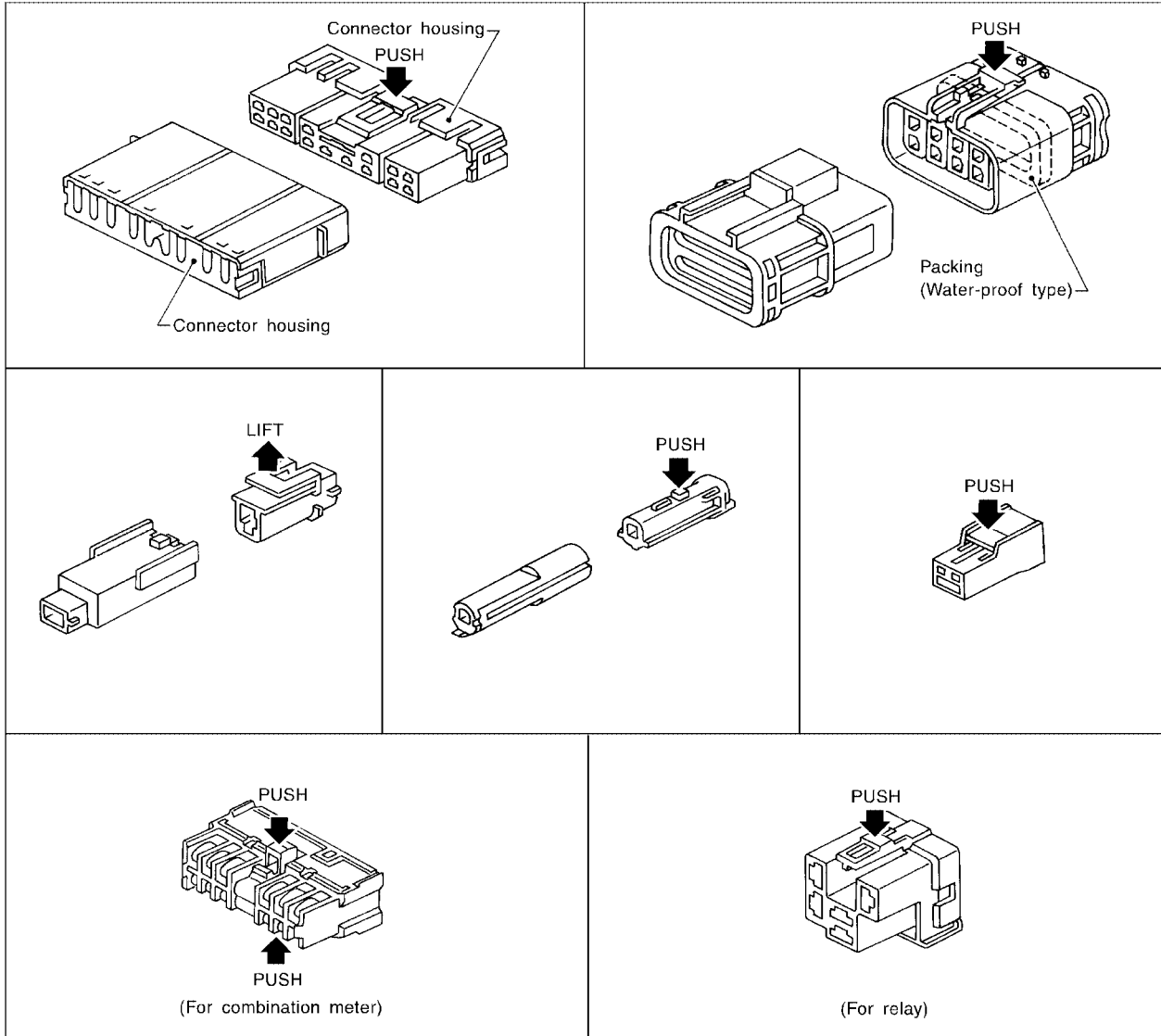
- The tab-locking type connectors help prevent accidental looseness or disconnection.
- The tab-locking type connectors are disconnected by pushing or lifting the locking tab(s). Refer to the illustration below.

Refer to the next page for description of the slide-locking type connector.

CAUTION:

Do not pull the harness or wires when disconnecting the connector.

[Example]



A
B
C
D
E
F
G
H
I
J
L
M

PG

SEL769DA

HARNESS CONNECTOR

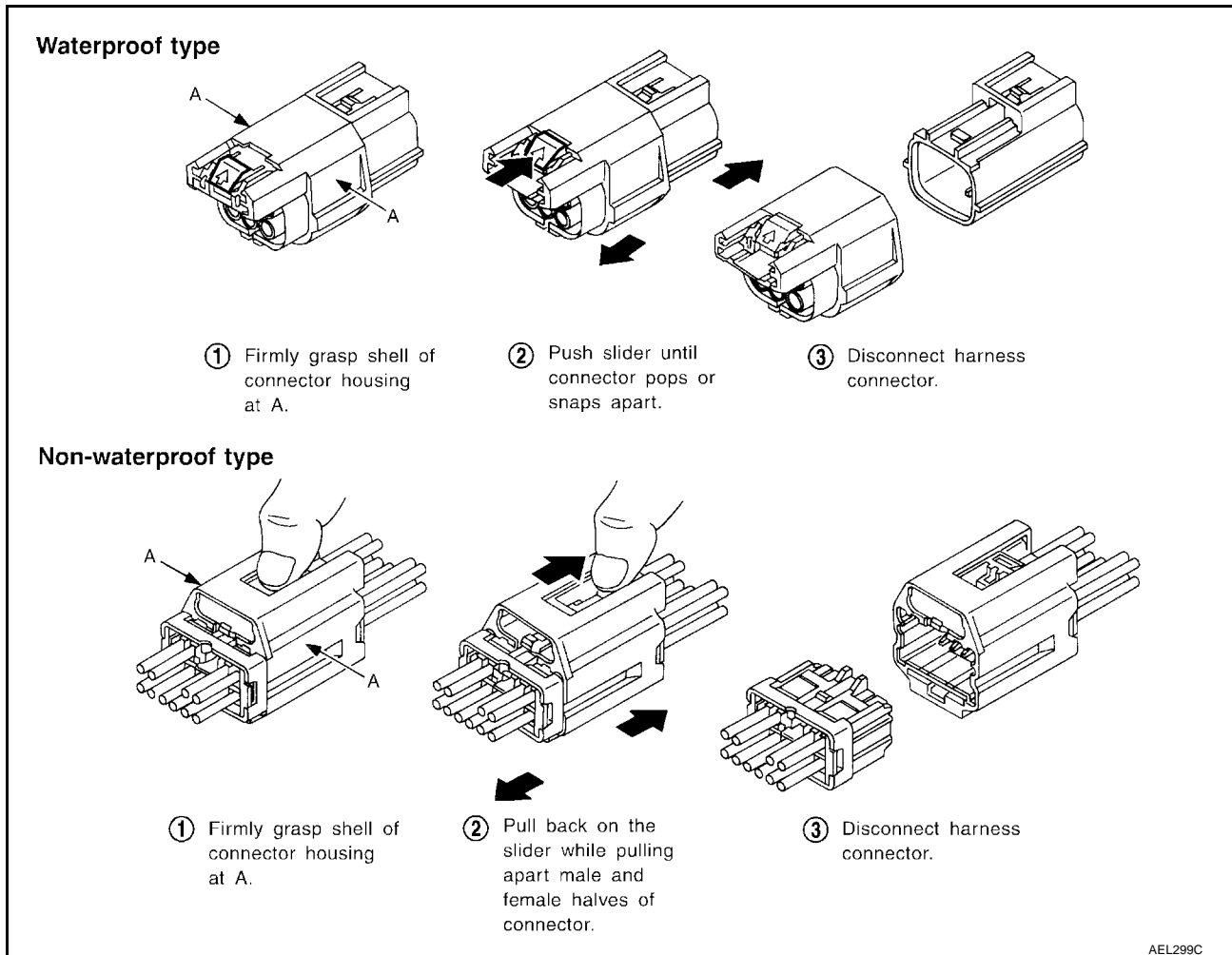
HARNESS CONNECTOR (SLIDE-LOCKING TYPE)

- A new style slide-locking type connector is used on certain systems and components, especially those related to OBD.
- The slide-locking type connectors help prevent incomplete locking and accidental looseness or disconnection.
- The slide-locking type connectors are disconnected by pushing or pulling the slider. Refer to the illustration below.

CAUTION:

- Do not pull the harness or wires when disconnecting the connector.
- Be careful not to damage the connector support bracket when disconnecting the connector.

[Example]



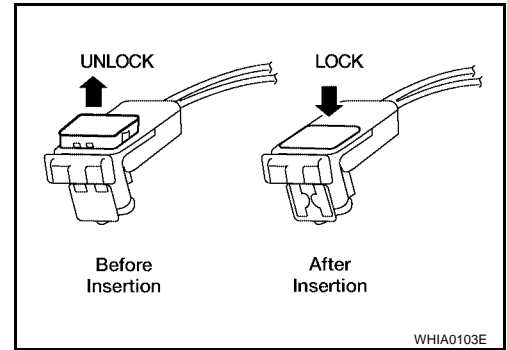
HARNES CONNECTOR

HARNES CONNECTOR (DIRECT-CONNECT SRS COMPONENT TYPE)

- SRS direct-connect type harness connectors are used on certain SRS components such as air bag modules and seat belt pre-tensioners.
- Always pull up to release black locking tab prior to removing connector from SRS component.
- Always push down to lock black locking tab after installing connector to SRS component. When locked, the black locking tab is level with the connector housing.

CAUTION:

- **Do not pull the harness or wires when removing connectors from SRS components.**



A
B
C
D
E
F
G
H
I
J
L
M

PG

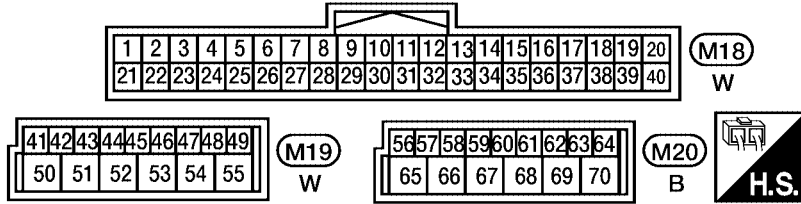
ELECTRICAL UNITS

PFP:23710

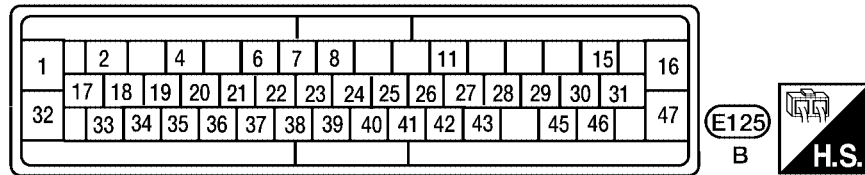
EKS007QW

ELECTRICAL UNITS Terminal Arrangement

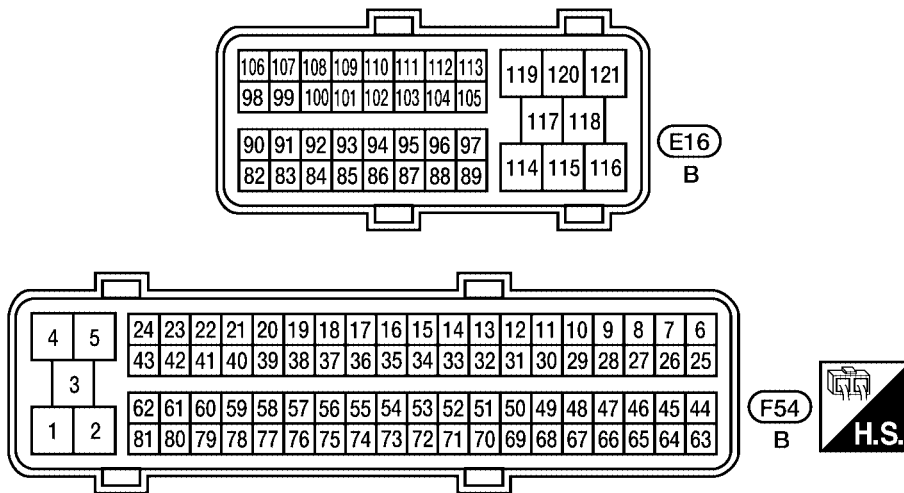
BCM (BODY CONTROL MODULE)



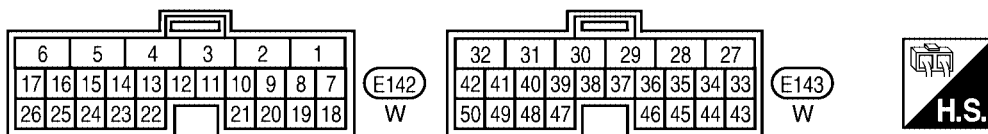
ABS ACTUATOR AND ELECTRIC UNIT (CONTROL UNIT)



ECM



TRANSFER CONTROL UNIT



WKIA1795E

STANDARDIZED RELAY

PFP:25230

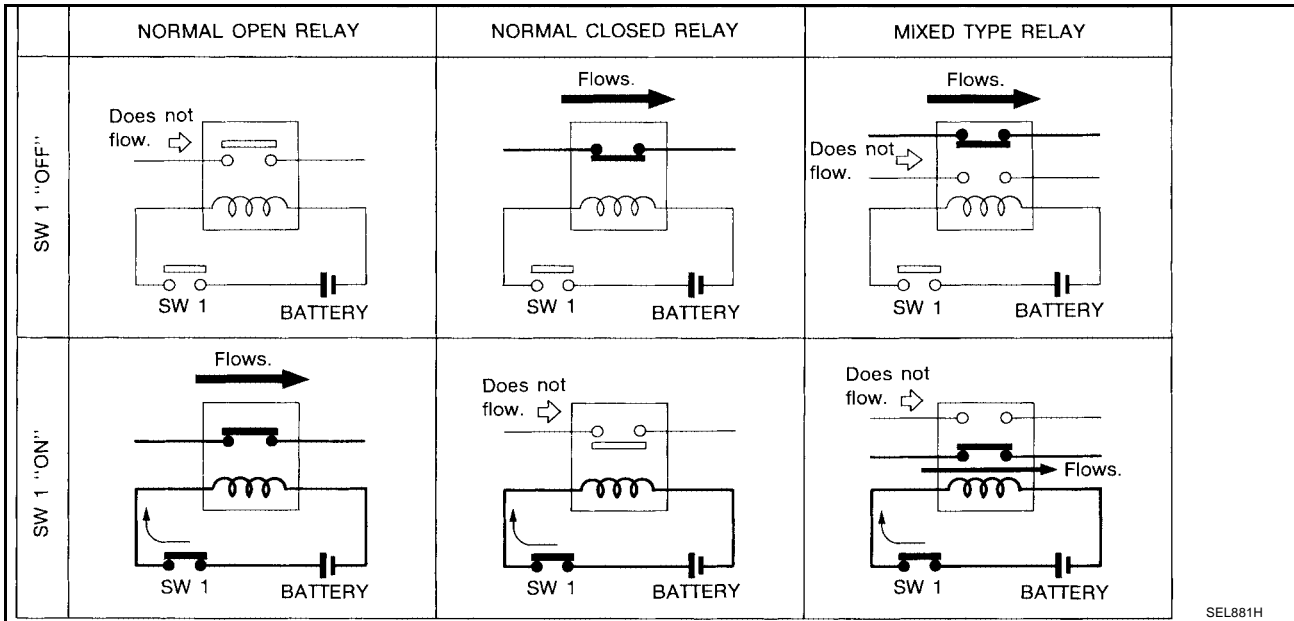
EKS0070X

STANDARDIZED RELAY

Description

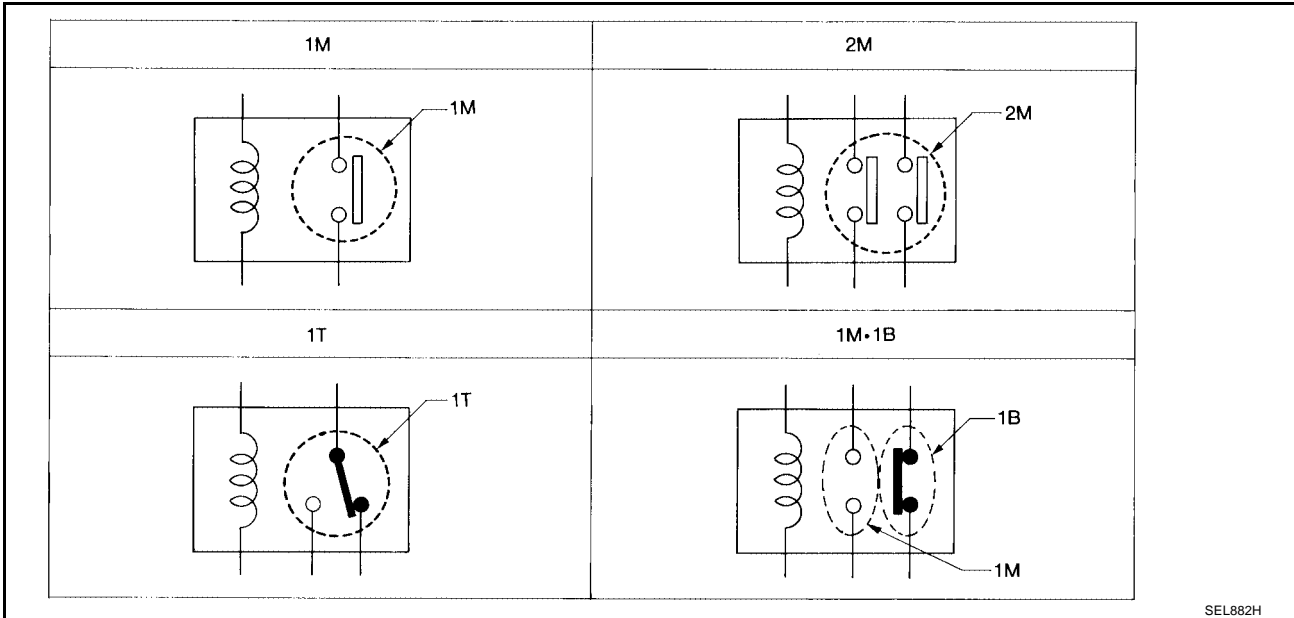
NORMAL OPEN, NORMAL CLOSED AND MIXED TYPE RELAYS

Relays can mainly be divided into three types: normal open, normal closed and mixed type relays.



SEL881H

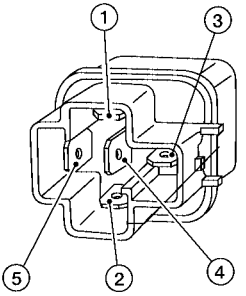
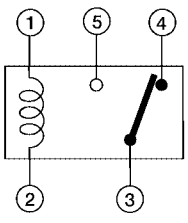
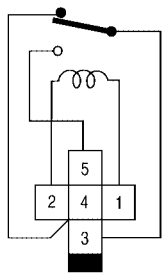
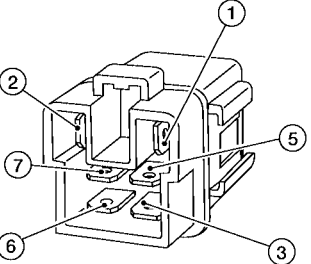
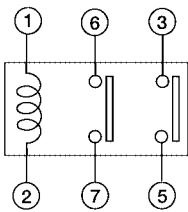
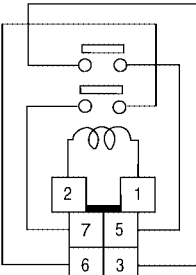
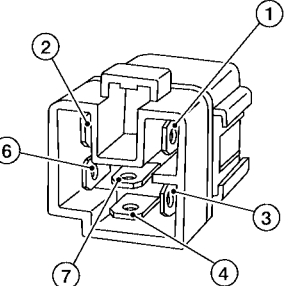
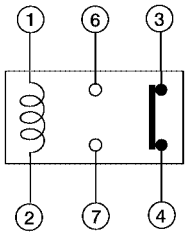
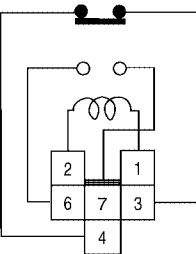
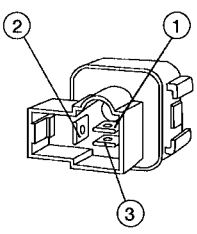
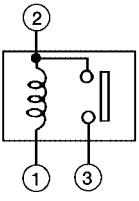
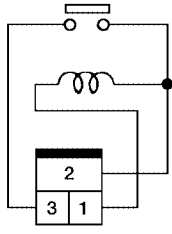
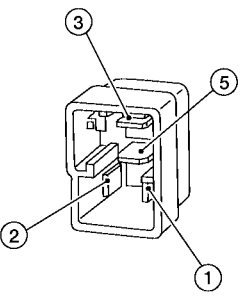
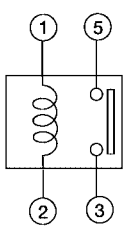
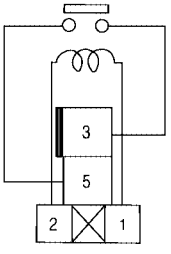
TYPE OF STANDARDIZED RELAYS



SEL882H

1M	1 Make	2M	2 Make
1T	1 Transfer	1M-1B	1 Make 1 Break

STANDARDIZED RELAY

Type	Outer view	Circuit	Connector Symbol and connection	Case color
1T				BLACK
2M				BROWN
1M-1B				GRAY
1M				BLACK
				BLUE

The arrangement of terminal numbers on the actual relays may differ from those shown above.

WKIA0253E

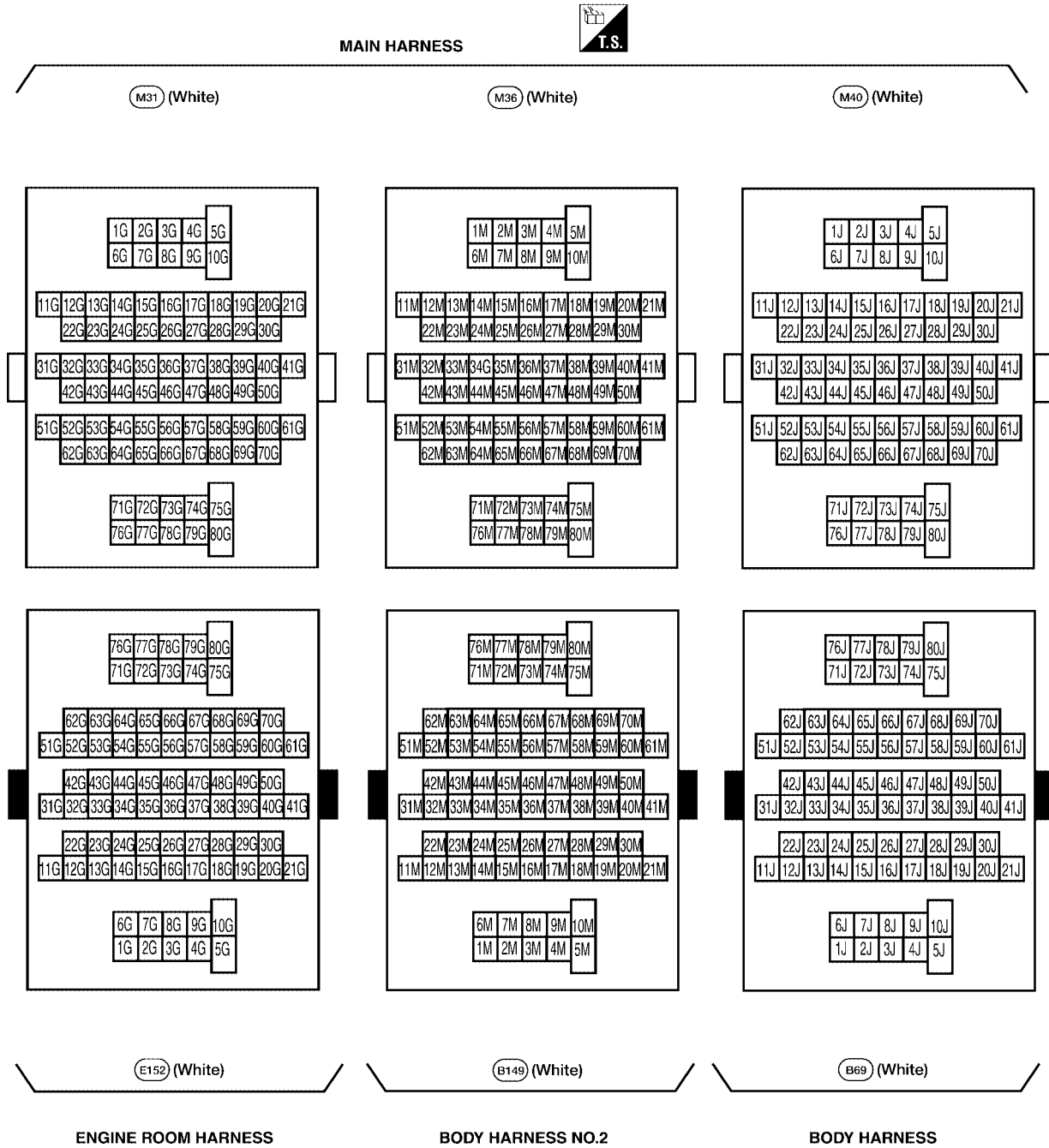
SUPER MULTIPLE JUNCTION (SMJ)

SUPER MULTIPLE JUNCTION (SMJ) Terminal Arrangement

PF:84341

EKS007QY

A
B
C
D
E
F
G
H
I
J
PG
L
M

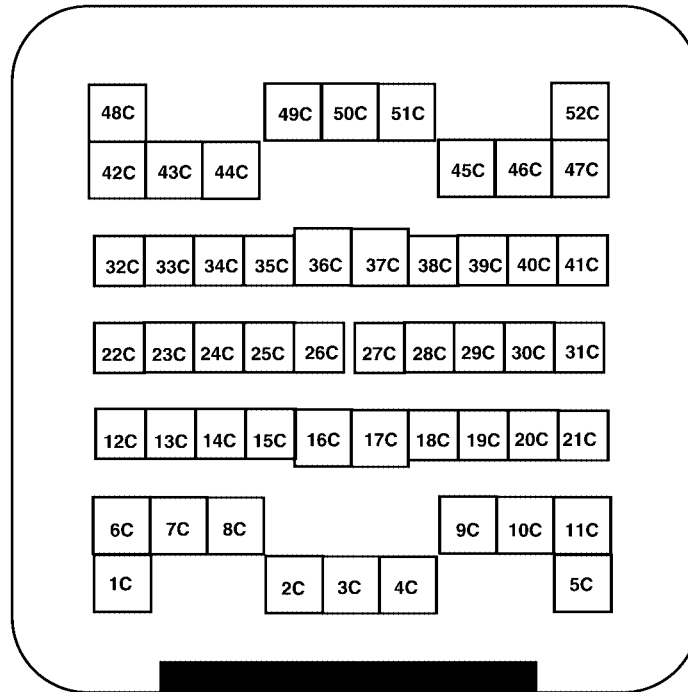
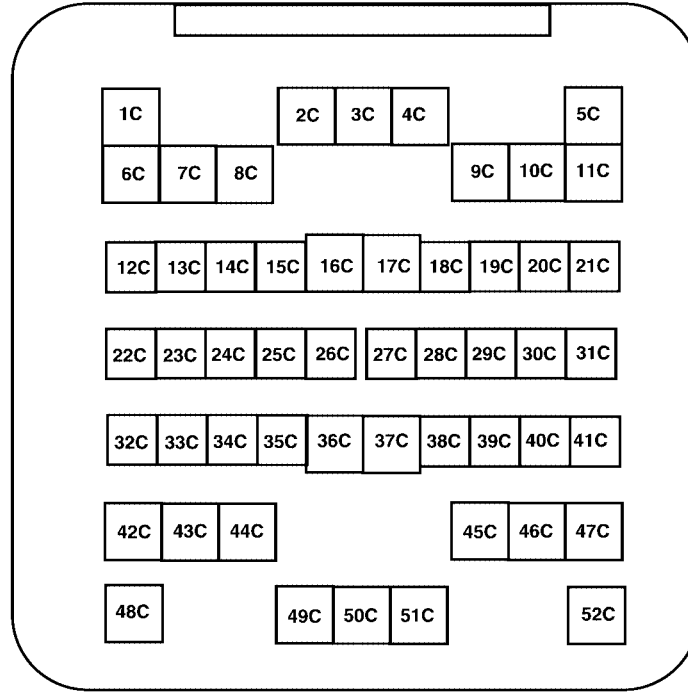


SUPER MULTIPLE JUNCTION (SMJ)

CHASSIS HARNESS



(C1) (Gray)



(E41) (Gray)

ENGINE ROOM HARNESS

WKIA1845E

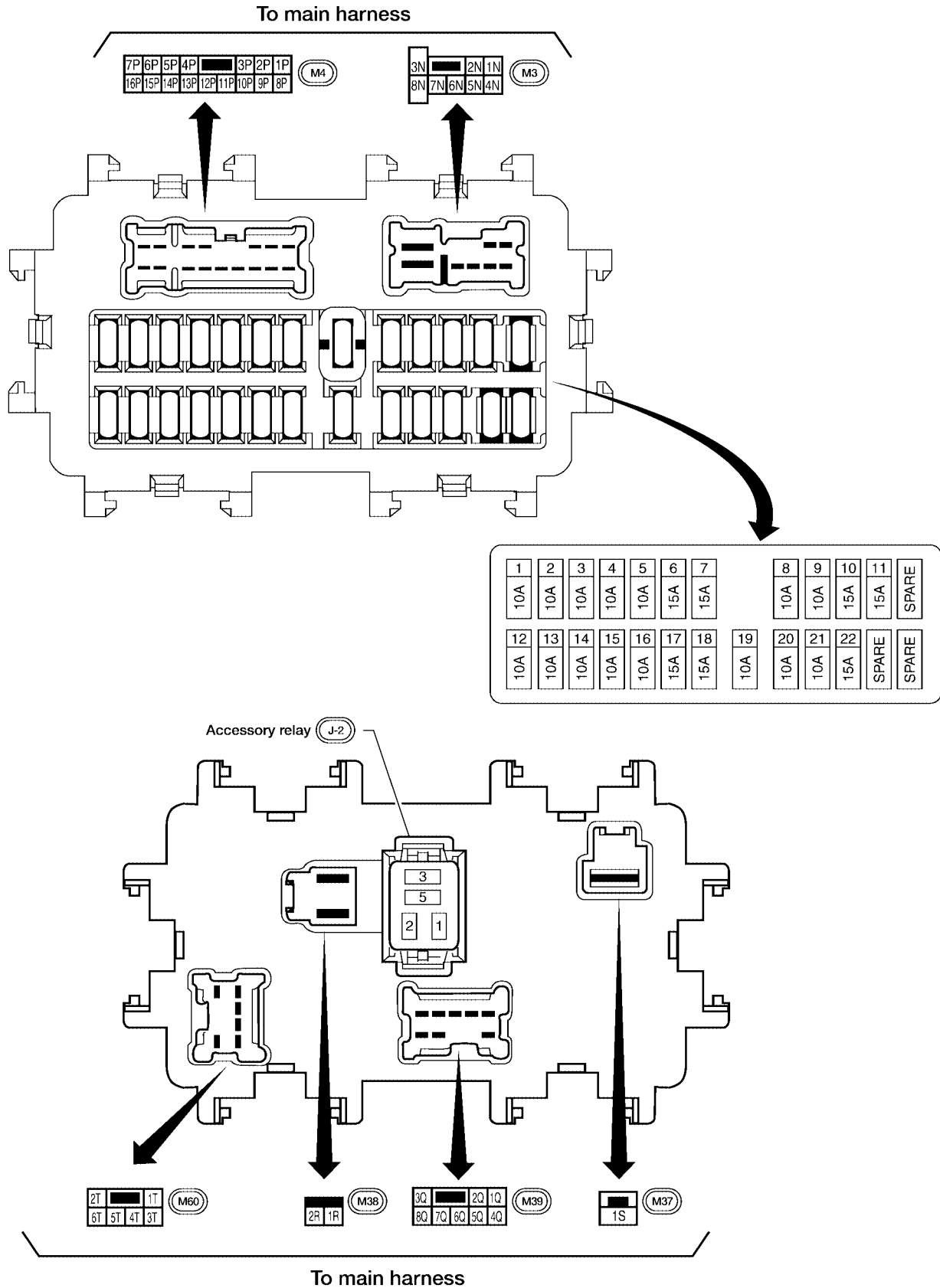
FUSE BLOCK-JUNCTION BOX(J/B)

PFPP:24350

EKS0070Z

FUSE BLOCK-JUNCTION BOX(J/B)

Terminal Arrangement



A
B
C
D
E
F
G
H
I
J
PG
L
M

WKIA1706E

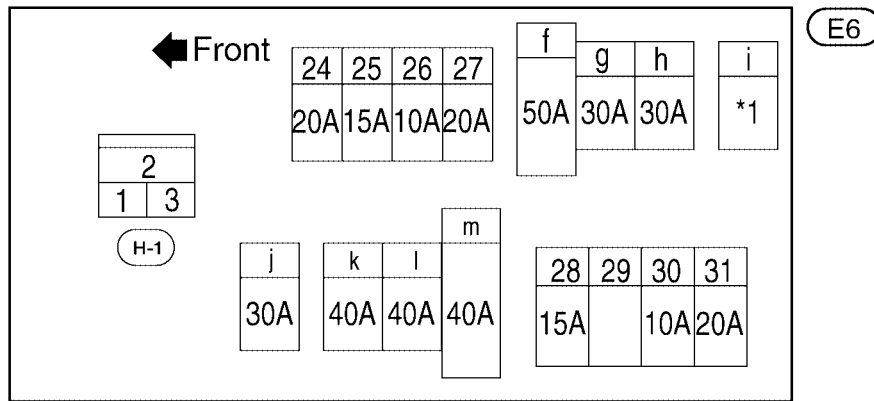
FUSE AND FUSIBLE LINK BOX

FUSE AND FUSIBLE LINK BOX

PFP:24381

Terminal Arrangement

EKS007R0



24 - 31: FUSE f - m: FUSIBLE LINK

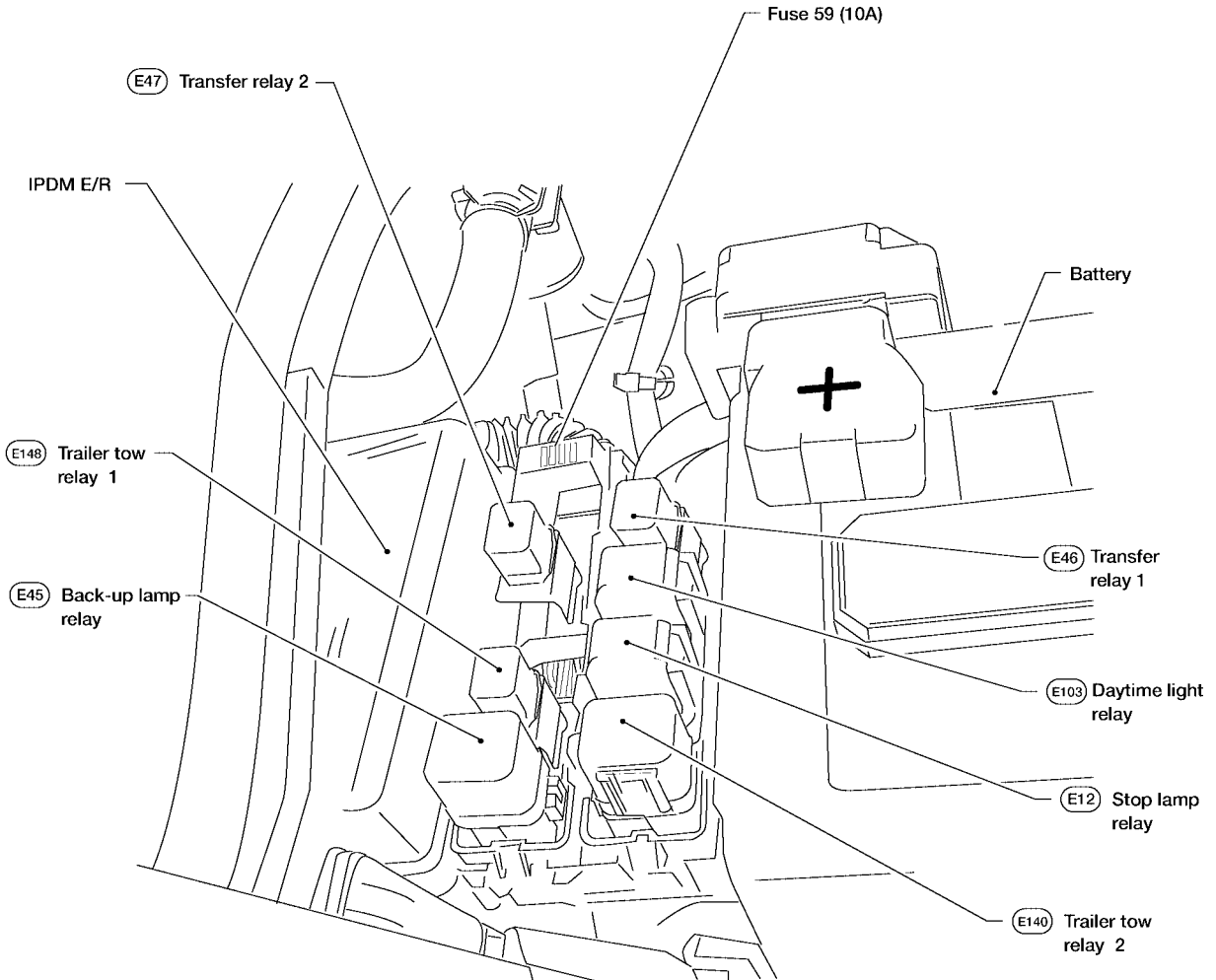
*1 40A with VDC
30A without VDC

FUSE AND RELAY BOX

FUSE AND RELAY BOX Terminal Arrangement

PFP:24012

EKS007R1



A
B
C
D
E
F
G
H
I
J
PG
L
M

WKIA2870E

FUSE AND RELAY BOX
