

SECTION **RAX**
REAR AXLE

A
B
C

RAX

CONTENTS

E

SERVICE INFORMATION	2	NOISE, VIBRATION, AND HARSHNESS (NVH) TROUBLESHOOTING	4	F
PRECAUTIONS	2	NVH Troubleshooting Chart	4	G
Precaution for Supplemental Restraint System (SRS) "AIR BAG" and "SEAT BELT PRE-TENSIONER"	2	WHEEL HUB	5	H
Precaution for Rear Axle	2	On-Vehicle Inspection and Service	5	I
PREPARATION	3	Removal and Installation	6	J
Commercial Service Tool	3	SERVICE DATA AND SPECIFICATIONS (SDS)	8	K
		Wheel Bearing (Rear)	8	L

J

K

L

M

N

O

P

PRECAUTIONS

< SERVICE INFORMATION >

SERVICE INFORMATION

PRECAUTIONS

Precaution for Supplemental Restraint System (SRS) "AIR BAG" and "SEAT BELT PRE-TENSIONER"

INFOID:000000004276982

The Supplemental Restraint System such as "AIR BAG" and "SEAT BELT PRE-TENSIONER", used along with a front seat belt, helps to reduce the risk or severity of injury to the driver and front passenger for certain types of collision. This system includes seat belt switch inputs and dual stage front air bag modules. The SRS system uses the seat belt switches to determine the front air bag deployment, and may only deploy one front air bag, depending on the severity of a collision and whether the front occupants are belted or unbelted. Information necessary to service the system safely is included in the SRS and SB section of this Service Manual.

WARNING:

- To avoid rendering the SRS inoperative, which could increase the risk of personal injury or death in the event of a collision which would result in air bag inflation, all maintenance must be performed by an authorized NISSAN/INFINITI dealer.
- Improper maintenance, including incorrect removal and installation of the SRS, can lead to personal injury caused by unintentional activation of the system. For removal of Spiral Cable and Air Bag Module, see the SRS section.
- Do not use electrical test equipment on any circuit related to the SRS unless instructed to in this Service Manual. SRS wiring harnesses can be identified by yellow and/or orange harnesses or harness connectors.

Precaution for Rear Axle

INFOID:000000004276983

CAUTION:

- When installing each rear suspension rubber component, the final fastener tightening must be carried out with the vehicle under unladen condition* with the tires on the ground.
*Fuel, engine coolant and engine oil full. Spare tire, jack, hand tools, and floor mats in designated positions.
- After installing suspension components, check the rear wheel alignment.
- Do not jack up the vehicle at the rear suspension components.

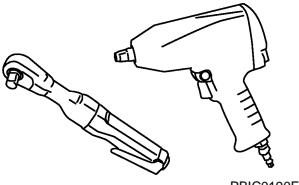
PREPARATION

< SERVICE INFORMATION >

PREPARATION

Commercial Service Tool

INFOID:000000004276984

Tool name	Description
<p data-bbox="162 352 272 378">Power tool</p>  <p data-bbox="852 571 922 588">PBIC0190E</p>	<p data-bbox="1015 352 1404 378">Loosening and removing bolts and nuts</p>

A

B

C

RAX

E

F

G

H

I

J

K

L

M

N

O

P

NOISE, VIBRATION, AND HARSHNESS (NVH) TROUBLESHOOTING

< SERVICE INFORMATION >

NOISE, VIBRATION, AND HARSHNESS (NVH) TROUBLESHOOTING

NVH Troubleshooting Chart

INFOID:000000004276985

Use the chart below to help you find the cause of the symptom. If necessary, repair or replace these parts.

Reference page		RAX-6		RAX-5		RAX-5		WT-4, "NVH Troubleshooting Chart"		BR-4, "NVH Troubleshooting Chart" (brakes) PB-4, "On-Vehicle Service" (parking brake)		RSU-4, "NVH Troubleshooting Chart"		WT-4, "NVH Troubleshooting Chart"	
		RAX-6		RAX-5		RAX-5		WT-4, "NVH Troubleshooting Chart"		BR-4, "NVH Troubleshooting Chart" (brakes) PB-4, "On-Vehicle Service" (parking brake)		RSU-4, "NVH Troubleshooting Chart"		WT-4, "NVH Troubleshooting Chart"	
Possible cause and SUSPECTED PARTS		Improper installation, looseness		Parts interference		Wheel bearing damage		TIRES		BRAKES		REAR SUSPENSION		ROAD WHEEL	
Symptom	Noise	x	x					x	x	x	x				
	Shake	x	x					x			x	x			
	Vibration	x	x					x	x		x	x			
	Shimmy	x	x					x			x	x			
	Shudder	x						x	x		x	x			
	Poor quality ride or handling	x	x	x				x				x	x		

x: Applicable

WHEEL HUB

< SERVICE INFORMATION >

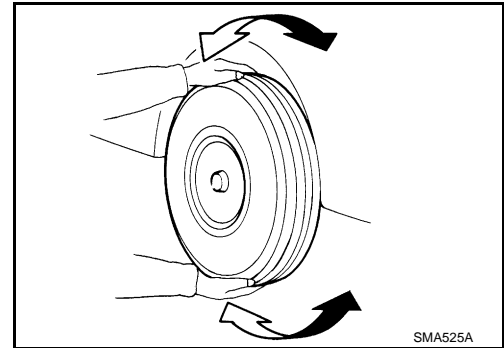
WHEEL HUB

On-Vehicle Inspection and Service

INFOID:000000004276986

Check the axle and suspension parts for excessive play, wear, or damage.

- Shake each rear wheel to check for excessive play.



REAR WHEEL BEARING

- Check that the wheel hub bearing axial end play is within specification as shown.

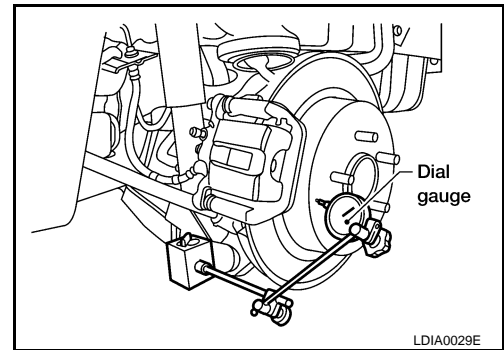
Axial end play : 0.05 mm (0.002 in) or less

- Check that the wheel hub bearing operates smoothly.
- Replace the wheel hub assembly if the axial end play exceeds specification, or if the wheel bearing does not turn smoothly. Refer to [RAX-6. "Removal and Installation"](#).

CAUTION:

The wheel hub assembly does not require maintenance. If any of the following symptoms are noted, replace the wheel hub assembly.

- Growling noise is emitted from the wheel hub bearing during operation.
- Wheel hub bearing drags or turns roughly.



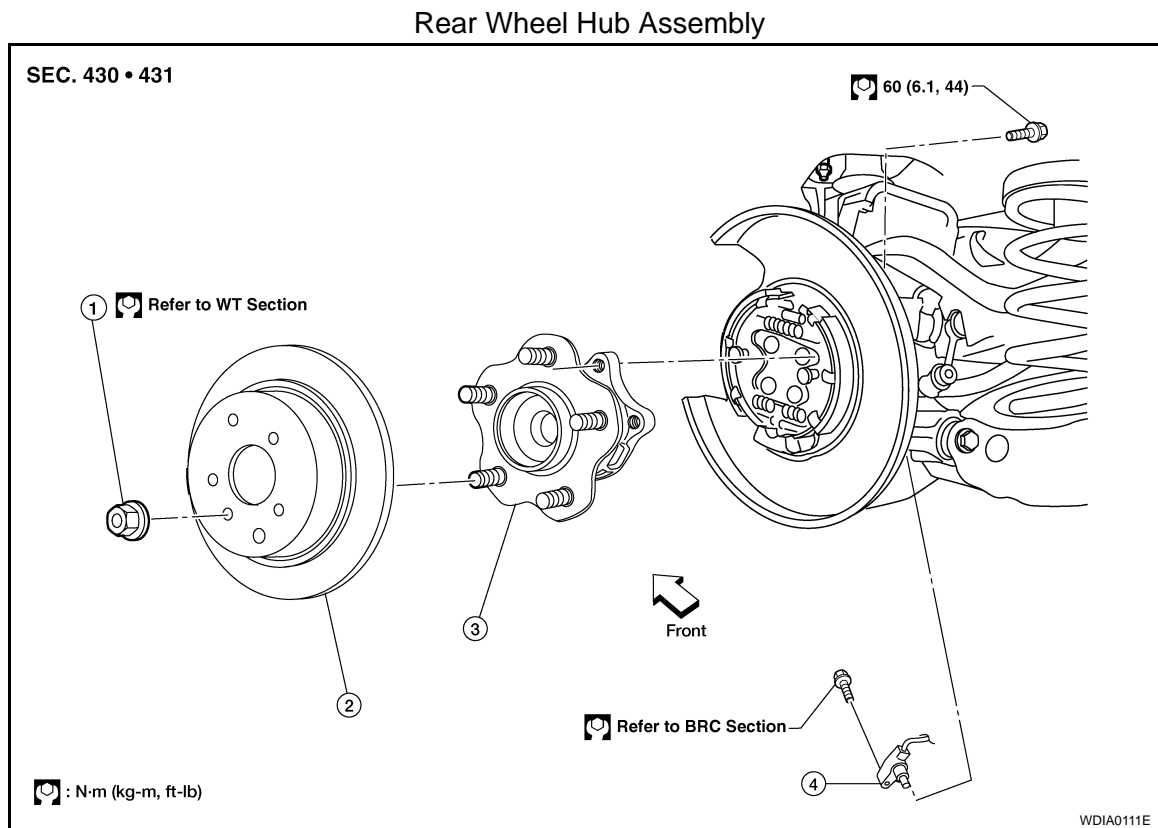
A
B
C
RAX
E
F
G
H
I
J
K
L
M
N
O
P

WHEEL HUB

< SERVICE INFORMATION >

Removal and Installation

INFOID:000000004276987



1. Wheel nut
2. Brake rotor
3. Wheel hub assembly
4. Rear ABS sensor

REMOVAL

1. Remove the rear wheel and tire using power tool.
2. Reposition the cylinder body assembly out of the way using a suitable wire without disconnecting the hydraulic hose. Refer to [BR-34, "Removal and Installation of Caliper Assembly and Disc Rotor"](#).
 - The brake hose should not be disconnected from the cylinder body.
 - Suspend the cylinder body assembly using a suitable wire so that the brake hose is not stretched.

CAUTION:

 - Do not depress brake pedal, piston will pop out with cylinder body removed.
 - Do not twist the brake hose.
3. Remove the brake rotor.

NOTE:

The parking brake must be fully released.
4. Remove the rear ABS sensor, then position it away from the hub assembly using wire. Refer to [BRC-39, "Removal and Installation"](#) (TCS/ABS), [BRC-85, "Removal and Installation"](#) (VDC/TCS/ABS).

CAUTION:

 - Failure to remove the rear ABS sensor may result in damage to the sensor, causing the sensor to become inoperative.
 - Do not stretch the rear ABS sensor wire harness.
5. Remove the wheel hub assembly from the knuckle using power tool.

INSPECTION AFTER REMOVAL

Check for deformity, cracks, and damage on the wheel hub assembly, replace if necessary.

CAUTION:

The wheel hub assembly does not require maintenance. If any of the following symptoms are noted, replace the wheel hub assembly.

- Growling noise is emitted from the wheel hub bearing during operation.
- Wheel hub bearing drags or turns roughly.

WHEEL HUB

< SERVICE INFORMATION >

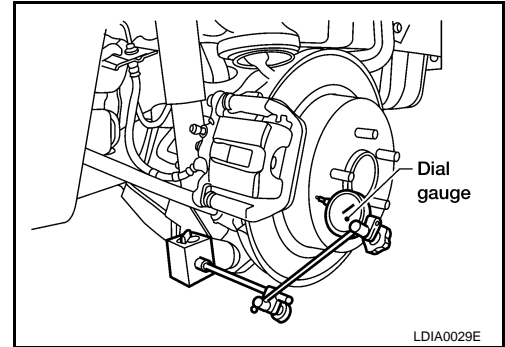
INSTALLATION

Installation is in the reverse order of removal.

INSPECTION AFTER INSTALLATION

- Check that the wheel bearing operates smoothly.
- Check that the wheel hub bearing axial end play is within specification as shown.

Axial end play : 0.05 mm (0.002 in) or less



A

B

C

RAX

E

F

G

H

I

J

K

L

M

N

O

P

SERVICE DATA AND SPECIFICATIONS (SDS)

< SERVICE INFORMATION >

SERVICE DATA AND SPECIFICATIONS (SDS)

Wheel Bearing (Rear)

INFOID:000000004276988

Axial end play	0.05 mm (0.002 in) or less
----------------	----------------------------
