

A

# SECTION STR

STR

## STARTING SYSTEM

C

### CONTENTS

D

<b>PRECAUTION</b> .....	<b>2</b>	<b>COMPONENT DIAGNOSIS</b> .....	<b>10</b>	F
<b>PRECAUTIONS</b> .....	<b>2</b>	<b>B TERMINAL CIRCUIT</b> .....	<b>10</b>	
Precaution for Supplemental Restraint System (SRS) "AIR BAG" and "SEAT BELT PRE-TENSIONER" .....	2	Description .....	10	G
Precaution for Power Generation Variable Voltage Control System .....	2	Diagnosis Procedure .....	10	
Precaution Necessary for Steering Wheel Rotation After Battery Disconnect .....	2	<b>S CONNECTOR CIRCUIT</b> .....	<b>11</b>	H
<b>PREPARATION</b> .....	<b>4</b>	Description .....	11	
<b>PREPARATION</b> .....	<b>4</b>	Diagnosis Procedure - VQ40DE .....	11	I
Special Service Tool .....	4	Diagnosis Procedure - VK56DE .....	12	
Commercial Service Tool .....	4	<b>STARTING SYSTEM</b> .....	<b>13</b>	J
<b>BASIC INSPECTION</b> .....	<b>5</b>	Wiring Diagram - VQ40DE .....	13	
<b>DIAGNOSIS AND REPAIR WORKFLOW</b> .....	<b>5</b>	Wiring Diagram - VK56DE .....	17	K
Work Flow .....	5	<b>SYMPTOM DIAGNOSIS</b> .....	<b>21</b>	
<b>FUNCTION DIAGNOSIS</b> .....	<b>8</b>	<b>STARTING SYSTEM</b> .....	<b>21</b>	L
<b>STARTING SYSTEM</b> .....	<b>8</b>	Symptom Table .....	21	
System Diagram .....	8	<b>ON-VEHICLE REPAIR</b> .....	<b>22</b>	M
System Description .....	8	<b>STARTER MOTOR</b> .....	<b>22</b>	
Component Parts Location .....	8	Exploded View .....	22	N
Component Description .....	9	Removal and Installation .....	22	
		<b>SERVICE DATA AND SPECIFICATIONS (SDS)</b> .....	<b>24</b>	O
		<b>STARTER MOTOR</b> .....	<b>24</b>	
		Starter .....	24	P

# PRECAUTIONS

< PRECAUTION >

## PRECAUTION

### PRECAUTIONS

#### Precaution for Supplemental Restraint System (SRS) "AIR BAG" and "SEAT BELT PRE-TENSIONER"

INFOID:000000003939335

The Supplemental Restraint System such as "AIR BAG" and "SEAT BELT PRE-TENSIONER", used along with a front seat belt, helps to reduce the risk or severity of injury to the driver and front passenger for certain types of collision. This system includes seat belt switch inputs and dual stage front air bag modules. The SRS system uses the seat belt switches to determine the front air bag deployment, and may only deploy one front air bag, depending on the severity of a collision and whether the front occupants are belted or unbelted. Information necessary to service the system safely is included in the SR and SB section of this Service Manual.

#### **WARNING:**

- To avoid rendering the SRS inoperative, which could increase the risk of personal injury or death in the event of a collision which would result in air bag inflation, all maintenance must be performed by an authorized NISSAN/INFINITI dealer.
- Improper maintenance, including incorrect removal and installation of the SRS, can lead to personal injury caused by unintentional activation of the system. For removal of Spiral Cable and Air Bag Module, see the SR section.
- Do not use electrical test equipment on any circuit related to the SRS unless instructed to in this Service Manual. SRS wiring harnesses can be identified by yellow and/or orange harnesses or harness connectors.

#### Precaution for Power Generation Variable Voltage Control System

INFOID:000000003939336

#### **CAUTION:**

For this model, the battery current sensor that is installed to the negative battery cable measures the charging/discharging current of the battery and performs various engine controls. If an electrical component is connected directly to the negative battery terminal, the current flowing through that component will not be measured by the battery current sensor. This condition may cause a malfunction of the engine control system and battery discharge may occur. Do not connect an electrical component or ground wire directly to the battery terminal.

#### Precaution Necessary for Steering Wheel Rotation After Battery Disconnect

INFOID:000000004427412

#### **NOTE:**

- This Procedure is applied only to models with Intelligent Key system and NATS (NISSAN ANTI-THEFT SYSTEM).
- Remove and install all control units after disconnecting both battery cables with the ignition knob in the "LOCK" position.
- Always use CONSULT-III to perform self-diagnosis as a part of each function inspection after finishing work. If DTC is detected, perform trouble diagnosis according to self-diagnostic results.

For models equipped with the Intelligent Key system and NATS, an electrically controlled steering lock mechanism is adopted on the key cylinder.

For this reason, if the battery is disconnected or if the battery is discharged, the steering wheel will lock and steering wheel rotation will become impossible.

If steering wheel rotation is required when battery power is interrupted, follow the procedure below before starting the repair operation.

#### OPERATION PROCEDURE

1. Connect both battery cables.

#### **NOTE:**

Supply power using jumper cables if battery is discharged.

2. Use the Intelligent Key or mechanical key to turn the ignition switch to the "ACC" position. At this time, the steering lock will be released.
3. Disconnect both battery cables. The steering lock will remain released and the steering wheel can be rotated.
4. Perform the necessary repair operation.

## PRECAUTIONS

### < PRECAUTION >

5. When the repair work is completed, return the ignition switch to the "LOCK" position before connecting the battery cables. (At this time, the steering lock mechanism will engage.)
6. Perform a self-diagnosis check of all control units using CONSULT-III.

A

STR

C

D

E

F

G

H

I

J

K

L

M

N

O

P

# PREPARATION

< PREPARATION >

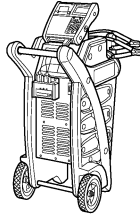
## PREPARATION

### PREPARATION

#### Special Service Tool

INFOID:000000003939337

Tool number (Kent Moore No.) Tool name	Description
— (—) Model GR-8 Multitasking Battery Diagnostic Station	Tests Batteries, starting and charging system. For operating instructions, refer to diagnostic station instruction manual.

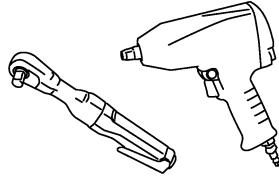


AWIA1239ZZ

#### Commercial Service Tool

INFOID:000000003939338

Tool name	Description
Power tool	Loosening bolts and nuts



PBIC0190E



# DIAGNOSIS AND REPAIR WORKFLOW

## < BASIC INSPECTION >

### NOTE:

To ensure a complete and thorough diagnosis, the battery, starter motor and generator test segments must be done as a set from start to finish.

## 1. DIAGNOSIS WITH MULTITASKING BATTERY DIAGNOSTIC STATION

Perform the starting system test with multitasking battery diagnostic station. For details and operating instructions, refer to diagnostic station instruction manual.

### Test result

CRANKING NORMAL>>GO TO 2

LOW VOLTAGE>>GO TO 5

CHARGE BATTERY>>Perform the slow battery charging procedure. (Initial rate of charge is 10A for 12 hours.) Perform battery test again. Refer to diagnostic station instruction manual.

REPLACE BATTERY>>Before replacing battery, clean the battery cable clamps and battery posts. Perform battery test again. Refer to diagnostic station instruction manual. If second test result is "REPLACE BATTERY", then do so. Perform battery test again to confirm repair.

## 2. CRANKING CHECK

Check that the starter motor operates properly.

### Does the engine crank normally?

YES >> GO TO 3

NO >> GO TO 4

## 3. ENGINE START CHECK

Check that the engine starts.

### Does the engine start?

YES >> Starter motor is OK. Inspection end.

NO >> Perform further diagnosis of engine mechanical or engine control system. Refer to EM and EC sections. Once resolved, perform battery test again.

## 4. STARTER MOTOR ACTIVATION

Check that the starter motor operates.

### Does the starter motor turn?

YES >> Check ring gear and starter motor drive pinion. Once resolved, perform battery test again.

NO >> GO TO 7

## 5. COMPARISON BETWEEN ENGINE COOLANT AND CRANKING VOLTAGE

Compare the engine coolant temperature and verify the cranking voltage is within specification.

Minimum Specification of Cranking Voltage Referencing Coolant Temperature

Engine coolant temperature [°C (°F)]	Voltage [V]
-30 to -20 (-22 to -4)	8.6
-19 to -10 (-2 to 14)	9.1
-9 to 0 (16 to 32)	9.5
More than 1 (More than 34)	9.9

### Is the voltage less than the specified value?

YES >> GO TO 7

NO >> GO TO 6

## 6. STARTER OPERATION

Check the starter operation.

### Does the starter motor turn smoothly?

YES >> Starter motor is OK. Inspection end.

NO >> GO TO 7

## 7. "B" TERMINAL CIRCUIT INSPECTION

Check "B" terminal circuit. Refer to [STR-10, "Diagnosis Procedure"](#).

### Is "B" terminal circuit normal?

# DIAGNOSIS AND REPAIR WORKFLOW

## < BASIC INSPECTION >

---

- YES >> GO TO 8
- NO >> Repair as needed.

A

## 8. "S" CONNECTOR CIRCUIT INSPECTION

---

Check "S" connector circuit. Refer to [STR-11. "Diagnosis Procedure - VQ40DE"](#) (VQ40DE) or [STR-12. "Diagnosis Procedure - VK56DE"](#) (VK56DE).

STR

Is "S" connector circuit normal?

- YES >> GO TO 9
- NO >> Repair as needed.

C

## 9. ENGINE ROTATION STATUS

---

Check that the engine can be rotated by hand.

D

Does the engine turn freely by hand?

- YES >> Replace starter motor. Refer to [STR-22. "Removal and Installation"](#).
- NO >> Perform further diagnosis of engine mechanical or powertrain mechanism. Refer to EM or TM sections. Once resolved, perform battery test again. Refer to diagnostic station instruction manual.

E

F

G

H

I

J

K

L

M

N

O

P

# STARTING SYSTEM

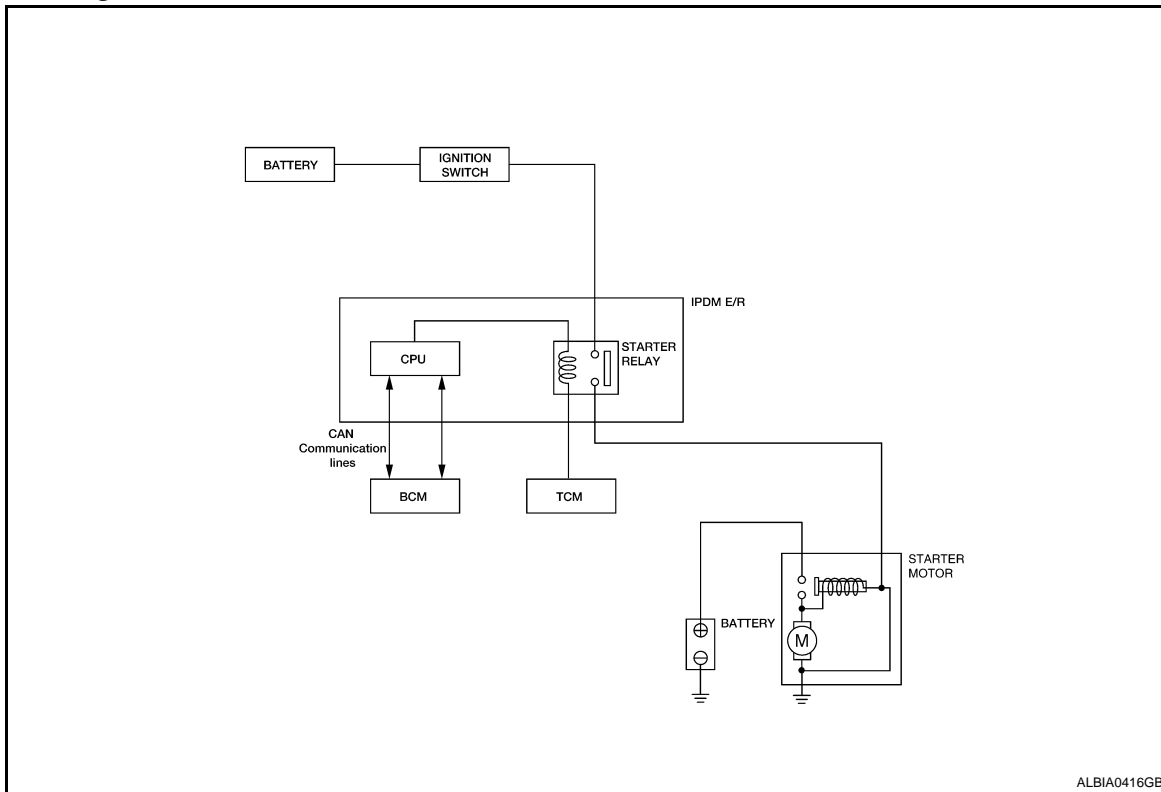
< FUNCTION DIAGNOSIS >

## FUNCTION DIAGNOSIS

### STARTING SYSTEM

#### System Diagram

INFOID:000000003939340



ALBIA0416GB

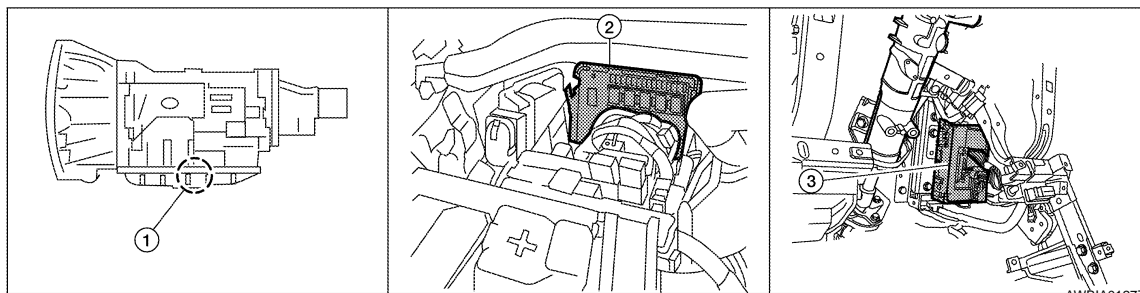
#### System Description

INFOID:000000003939341

The starter motor plunger closes and provides a closed circuit between the battery and the starter motor. The starter motor is grounded to the cylinder block. With power and ground supplied, the starter motor operates.

#### Component Parts Location

INFOID:000000003939342



AWBIA0127ZZ

1. A/T assembly F9 (VQ40DE) F70 (VK56DE) (with built in TCM F502)
2. IPDM E/R E119, E120, E122, E124
3. BCM M18 (view with instrument panel lower LH panel removed)



# STARTING SYSTEM

< FUNCTION DIAGNOSIS >

## Component Description

INFOID:000000003939343

Component part	Description
TCM	TCM supplies power to the starter relay inside the IPDM E/R when the selector lever is shifted to the P or N position.
BCM	BCM sends a starter request signal to the CPU of the IPDM E/R over the CAN communication lines.
IPDM E/R	CPU inside IPDM E/R operates the starter relay at the request of the BCM over the CAN communication lines.
Starter motor	The starter motor plunger closes and the motor is supplied with battery power, which in turn cranks the engine, when the "S" terminal is supplied with electric power.

A

STR

C

D

E

F

G

H

I

J

K

L

M

N

O

P

## B TERMINAL CIRCUIT

< COMPONENT DIAGNOSIS >

# COMPONENT DIAGNOSIS

## B TERMINAL CIRCUIT

### Description

INFOID:000000003939344

Terminal "2" (B) is constantly supplied with battery power.

### Diagnosis Procedure

INFOID:000000003939345

#### CAUTION:

Perform diagnosis under the condition that the engine cannot start by the following procedure.

1. Remove fuel pump fuse.
2. Crank or start the engine (where possible) until the fuel pressure is depleted.

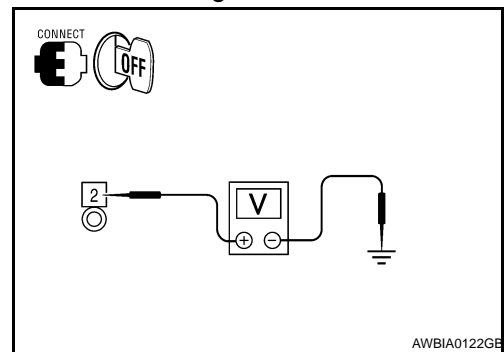
#### 1. CHECK TERMINAL 2 POWER SUPPLY VOLTAGE

1. Turn ignition switch OFF.
2. Make sure that starter motor connector E210 terminal 2 connection is clean and tight.
3. Check voltage between starter motor connector E210 terminal 2 and ground.

(+)		(-)	Voltage
Connector	Terminal		
E210	2	Ground	Battery voltage

Is there battery voltage present?

- YES >> GO TO 2  
 NO >> Check harness between battery and starter motor for open circuit.



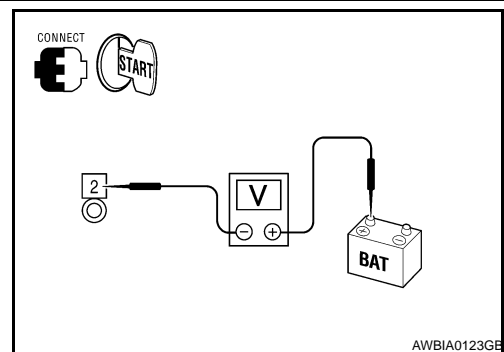
#### 2. CHECK BATTERY CABLE (VOLTAGE DROP TEST)

1. Shift the transmission into park or neutral.
2. Check voltage between battery positive terminal and starter motor connector E210 terminal 2 while cranking the engine.

(-)		(+)	Condition	Voltage
Connector	Terminal			
E210	2	Battery (+) terminal	While cranking the engine	Less than 0.2V

Is the voltage drop less than 0.2V?

- YES >> GO TO 3  
 NO >> Check harness between the battery and the starter motor for high resistance.



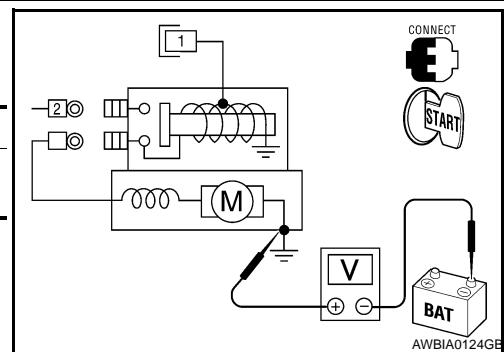
#### 3. CHECK GROUND CIRCUIT STATUS (VOLTAGE DROP TEST)

Check voltage between starter motor case and battery negative terminal while cranking the engine.

(+)	(-)	Condition	Voltage
Starter motor case	Battery (-) terminal	While cranking the engine	Less than 0.2V

Is the voltage drop less than 0.2V?

- YES >> Terminal 2 circuit is OK. Further inspection necessary. Refer to [STR-5, "Work Flow"](#).  
 NO >> Check the starter motor case to engine mounting for high resistance.



# S CONNECTOR CIRCUIT

< COMPONENT DIAGNOSIS >

## S CONNECTOR CIRCUIT

### Description

INFOID:000000003939346

Terminal "1" (S) is the power supply for the starter motor magnetic switch. Terminal 1 is supplied with power when the ignition switch is turned to the START position while the selector lever is in the P or N position.

STR

### Diagnosis Procedure - VQ40DE

INFOID:000000003939347

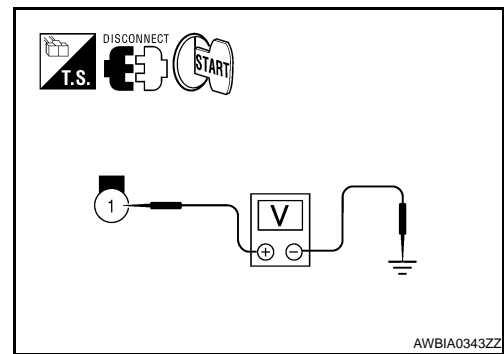
#### CAUTION:

Perform diagnosis under the condition that engine cannot start by the following procedure.

1. Remove fuel pump fuse.
2. Crank or start the engine (where possible) until the fuel pressure is released.

#### 1. CHECK STARTER MOTOR MAGNETIC SWITCH CIRCUIT

1. Turn ignition switch OFF.
2. Disconnect starter motor connector E207.
3. Shift transmission into park or neutral.
4. Check voltage between starter motor harness connector E207 terminal 1 and ground with the ignition in START.



(+)		(-)	Condition	Voltage
Connector	Terminal			
E207	1	Ground	While cranking the engine	Battery voltage

#### Is battery voltage present?

YES >> Magnetic switch circuit is OK. Further inspection necessary. Refer to [STR-5. "Work Flow"](#).

NO >> GO TO 2

#### 2. CHECK CONNECTOR

1. Turn ignition switch OFF.
2. Check the IPDM E/R harness connector E120 and starter motor harness connector E207 for damage, bent pins and loose connections.

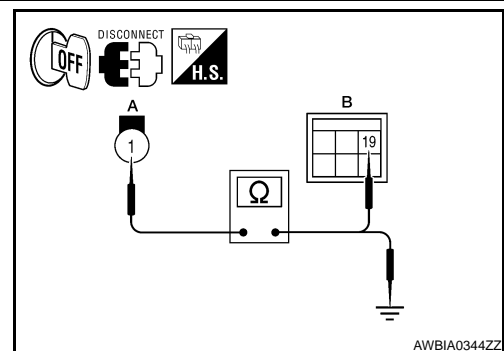
#### Is the inspection result normal?

YES >> GO TO 3

NO >> Repair the terminal and connector.

#### 3. CHECK HARNESS CONTINUITY (OPEN CIRCUIT)

1. Disconnect IPDM E/R connector E120 and starter motor connector E207.
2. Check continuity between starter motor harness connector E207 (A) terminal 1 and IPDM E/R harness connector E120 (B) terminal 19.



A		B		Continuity
Connector	Terminal	Connector	Terminal	
E207	1	E120	19	Yes

3. Check continuity between starter motor harness connector E207 (A) terminal 1 and ground.

A		—	Continuity
Connector	Terminal		
E207	1	Ground	No

#### Are the continuity test results as specified?

YES >> Further inspection necessary. Refer to [STR-5. "Work Flow"](#).

NO >> Repair the harness.

A  
C  
D  
E  
F  
G  
H  
I  
J  
K  
L  
M  
N  
O  
P

# S CONNECTOR CIRCUIT

< COMPONENT DIAGNOSIS >

## Diagnosis Procedure - VK56DE

INFOID:000000003939348

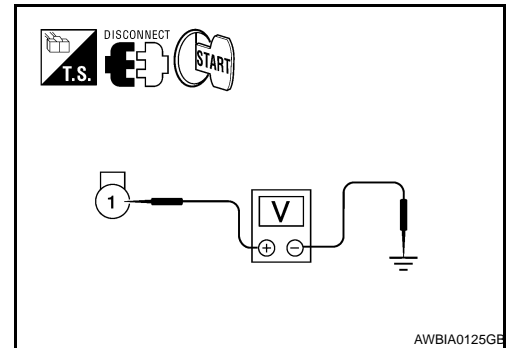
### CAUTION:

Perform diagnosis under the condition that engine cannot start by the following procedure.

1. Remove fuel pump fuse.
2. Crank or start the engine (where possible) until the fuel pressure is released.

### 1. CHECK STARTER MOTOR MAGNETIC SWITCH CIRCUIT

1. Turn ignition switch OFF.
2. Disconnect starter motor connector F17.
3. Shift transmission into park or neutral.
4. Check voltage between starter motor harness connector F17 terminal 1 and ground with the ignition in START.



(+)		(-)	Condition	Voltage
Connector	Terminal			
F17	1	Ground	While cranking the engine	Battery voltage

Is battery voltage present?

YES >> Magnetic switch circuit is OK. Further inspection necessary. Refer to [STR-5, "Work Flow"](#).

NO >> GO TO 2

### 2. CHECK CONNECTOR

1. Turn ignition switch OFF.
2. Check the IPDM E/R harness connector E120 and starter motor harness connector F17 for damage, bent pins and loose connections.

Is the inspection result normal?

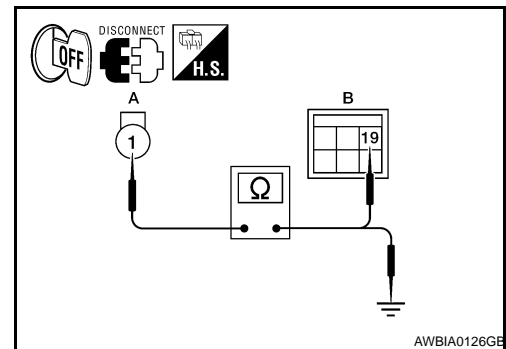
YES >> GO TO 3

NO >> Repair the terminal and connector.

### 3. CHECK HARNESS CONTINUITY (OPEN CIRCUIT)

1. Disconnect IPDM E/R connector E120 and starter motor connector F17.
2. Check continuity between starter motor harness connector F17 (A) terminal 1 and IPDM E/R harness connector E120 (B) terminal 19.

A		B		Continuity
Connector	Terminal	Connector	Terminal	
F17	1	E120	19	Yes



3. Check continuity between starter motor harness connector F17 (A) terminal 1 and ground.

A		—	Continuity
Connector	Terminal		
F17	1	Ground	No

Are the continuity test results as specified?

YES >> Further inspection necessary. Refer to [STR-5, "Work Flow"](#).

NO >> Repair the harness.

# STARTING SYSTEM

< COMPONENT DIAGNOSIS >

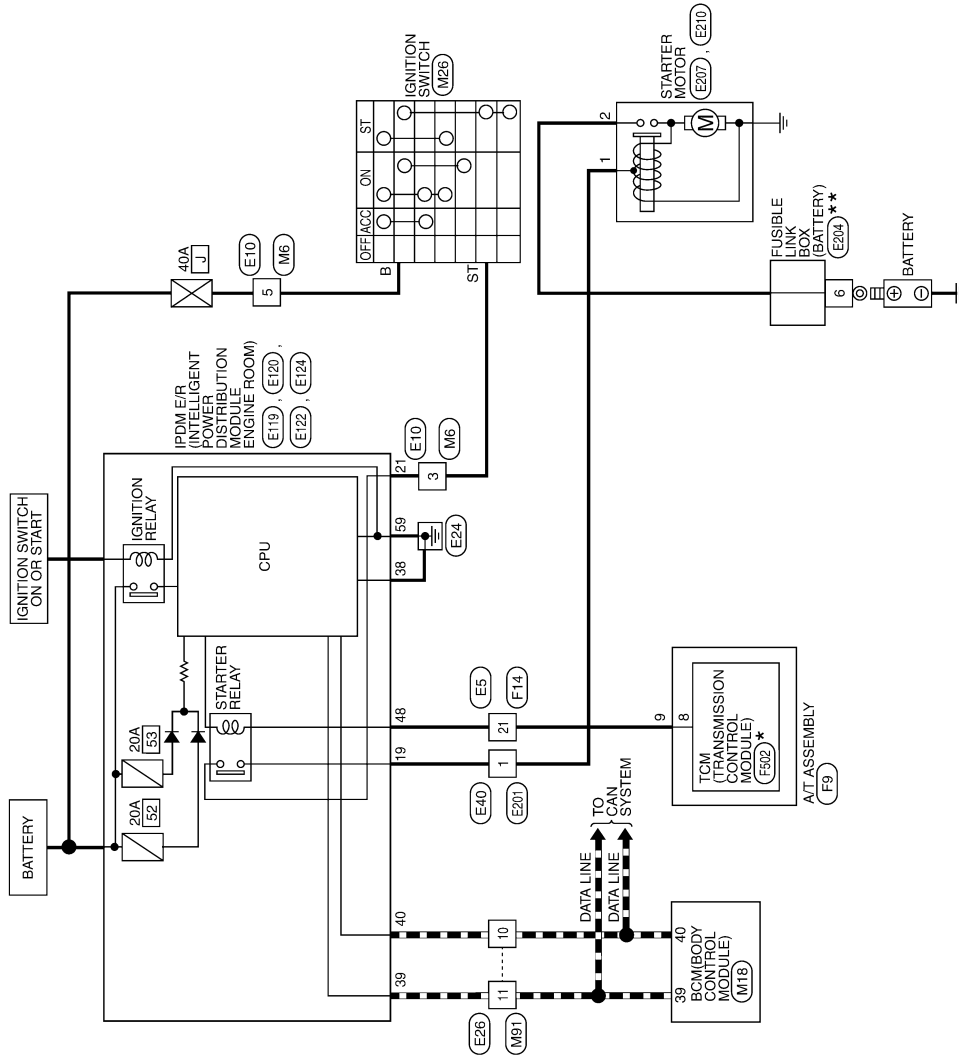
## STARTING SYSTEM

### Wiring Diagram - VQ40DE

INFOID:000000003939349

--- : DATA LINE

### STARTING SYSTEM - VQ40DE



\* : THIS CONNECTOR IS NOT SHOWN IN "HARNES LAYOUT" OF PG SECTION.  
 \*\* : (E204) IS AN INTEGRAL PART OF FUSIBLE LINK BOX (BATTERY) ASSEMBLY.

ABBWA0027GE

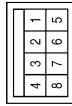
A  
 STR  
 C  
 D  
 E  
 F  
 G  
 H  
 I  
 J  
 K  
 L  
 M  
 N  
 O  
 P

# STARTING SYSTEM

< COMPONENT DIAGNOSIS >

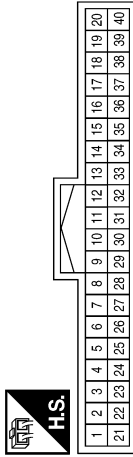
## STARTING SYSTEM CONNECTORS - VQ40DE

Connector No.	M6
Connector Name	WIRE TO WIRE
Connector Color	WHITE



Terminal No.	Color of Wire	Signal Name
3	GR	-
5	G	-

Connector No.	M18
Connector Name	BCM (BODY CONTROL MODULE)
Connector Color	WHITE



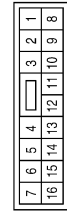
Terminal No.	Color of Wire	Signal Name
39	L	CAN-H
40	P	CAN-L

Connector No.	M26
Connector Name	IGNITION SWITCH
Connector Color	WHITE



Terminal No.	Color of Wire	Signal Name
B	G	-
ST	GR	-

Connector No.	M91
Connector Name	WIRE TO WIRE
Connector Color	WHITE



Terminal No.	Color of Wire	Signal Name
10	P	-
11	L	-

Connector No.	E5
Connector Name	WIRE TO WIRE
Connector Color	WHITE



Terminal No.	Color of Wire	Signal Name
21	R	-

Connector No.	E10
Connector Name	WIRE TO WIRE
Connector Color	WHITE



Terminal No.	Color of Wire	Signal Name
3	GR	-
5	G	-

ABBI/A0070GB

# STARTING SYSTEM

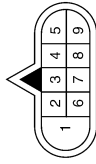
## < COMPONENT DIAGNOSIS >

Connector No.	E119
Connector Name	IPDM E/R (INTELLIGENT POWER DISTRIBUTION MODULE ENGINE ROOM)
Connector Color	WHITE



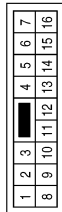
Terminal No.	12	Color of Wire	W/G	Signal Name	IGN SW (IG1)
--------------	----	---------------	-----	-------------	--------------

Connector No.	E40
Connector Name	WIRE TO WIRE
Connector Color	GRAY



Terminal No.	1	Color of Wire	W	Signal Name	-
--------------	---	---------------	---	-------------	---

Connector No.	E26
Connector Name	WIRE TO WIRE
Connector Color	WHITE



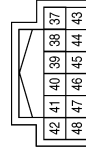
Terminal No.	10	Color of Wire	P	Signal Name	-
	11	Color of Wire	L	Signal Name	-

Connector No.	E124
Connector Name	IPDM E/R (INTELLIGENT POWER DISTRIBUTION MODULE ENGINE ROOM)
Connector Color	BLACK



Terminal No.	59	Color of Wire	B	Signal Name	GND (POWER)
--------------	----	---------------	---	-------------	-------------

Connector No.	E122
Connector Name	IPDM E/R (INTELLIGENT POWER DISTRIBUTION MODULE ENGINE ROOM)
Connector Color	WHITE



Terminal No.	38	Color of Wire	B	Signal Name	GND (SIGNAL)
	39	Color of Wire	L	Signal Name	CAN-H
	40	Color of Wire	P	Signal Name	CAN-L
	48	Color of Wire	R	Signal Name	INHIBIT SW

Connector No.	E120
Connector Name	IPDM E/R (INTELLIGENT POWER DISTRIBUTION MODULE ENGINE ROOM)
Connector Color	WHITE



Terminal No.	19	Color of Wire	W	Signal Name	STARTER MTR
	21	Color of Wire	GR	Signal Name	IGN SW (ST)

ABBBIA0071GB

# STARTING SYSTEM

## < COMPONENT DIAGNOSIS >

Connector No.	E201
Connector Name	WIRE TO WIRE
Connector Color	GRAY



Terminal No.	1	Color of Wire	W	Signal Name	-
--------------	---	---------------	---	-------------	---

Connector No.	E207
Connector Name	STARTER MOTOR (WITH VQ40DE)
Connector Color	GRAY



Terminal No.	1	Color of Wire	W	Signal Name	-
--------------	---	---------------	---	-------------	---

Connector No.	E210
Connector Name	STARTER MOTOR
Connector Color	BLACK



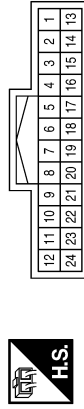
Terminal No.	2	Color of Wire	B/R	Signal Name	-
--------------	---	---------------	-----	-------------	---

Connector No.	F9
Connector Name	A/T ASSEMBLY (WITH VQ40DE)
Connector Color	GREEN



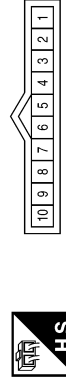
Terminal No.	9	Color of Wire	R	Signal Name	-
--------------	---	---------------	---	-------------	---

Connector No.	F14
Connector Name	WIRE TO WIRE
Connector Color	WHITE



Terminal No.	21	Color of Wire	R	Signal Name	-
--------------	----	---------------	---	-------------	---

Connector No.	F502
Connector Name	TCM (TRANSMISSION CONTROL MODULE)
Connector Color	GRAY



Terminal No.	8	Color of Wire	G	Signal Name	START-RLY
--------------	---	---------------	---	-------------	-----------



# STARTING SYSTEM

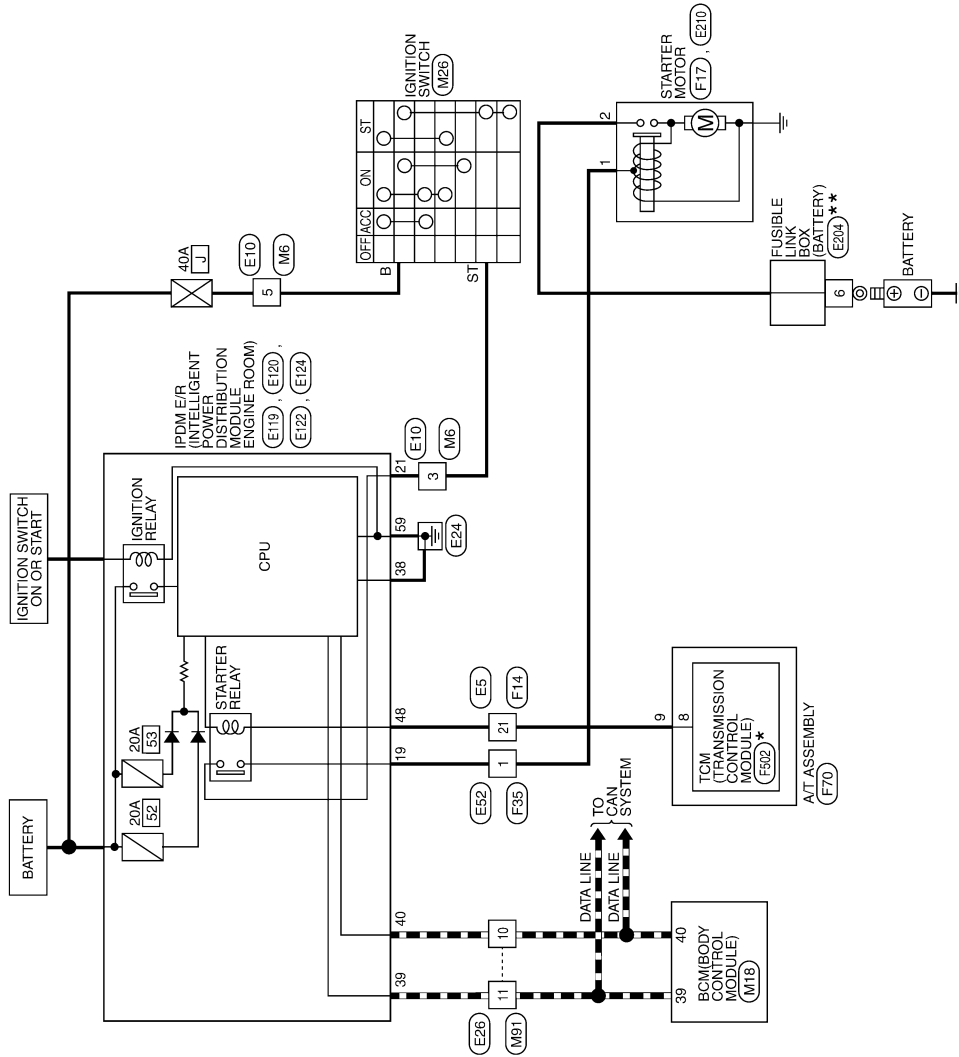
< COMPONENT DIAGNOSIS >

## Wiring Diagram - VK56DE

INFOID:000000003939350

--- : DATA LINE

### STARTING SYSTEM - VK56DE



\* : THIS CONNECTOR IS NOT SHOWN IN "HARNES LAYOUT" OF PG SECTION.  
 \*\* : (E20) IS AN INTEGRAL PART OF FUSIBLE LINK BOX (BATTERY) ASSEMBLY.

ABBWA0028GE

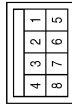
A  
 STR  
 C  
 D  
 E  
 F  
 G  
 H  
 I  
 J  
 K  
 L  
 M  
 N  
 O  
 P

# STARTING SYSTEM

## < COMPONENT DIAGNOSIS >

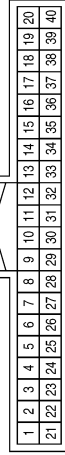
### STARTING SYSTEM CONNECTORS - VK56DE

Connector No.	M6
Connector Name	WIRE TO WIRE
Connector Color	WHITE



Terminal No.	Color of Wire	Signal Name
3	GR	-
5	G	-

Connector No.	M18
Connector Name	BCM (BODY CONTROL MODULE)
Connector Color	WHITE



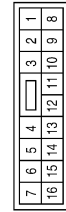
Terminal No.	Color of Wire	Signal Name
39	L	CAN-H
40	P	CAN-L

Connector No.	M26
Connector Name	IGNITION SWITCH
Connector Color	WHITE



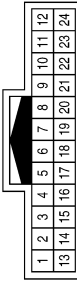
Terminal No.	Color of Wire	Signal Name
B	G	-
ST	GR	-

Connector No.	M91
Connector Name	WIRE TO WIRE
Connector Color	WHITE



Terminal No.	Color of Wire	Signal Name
10	P	-
11	L	-

Connector No.	E5
Connector Name	WIRE TO WIRE
Connector Color	WHITE



Terminal No.	Color of Wire	Signal Name
21	R	-

Connector No.	E10
Connector Name	WIRE TO WIRE
Connector Color	WHITE



Terminal No.	Color of Wire	Signal Name
3	GR	-
5	G	-

# STARTING SYSTEM

## < COMPONENT DIAGNOSIS >

Connector No.	E119
Connector Name	IPDM E/R (INTELLIGENT POWER DISTRIBUTION MODULE ENGINE ROOM)
Connector Color	WHITE



9	18	7	6
13	17	16	15
14	13	12	11
10		5	4
		3	

Terminal No.	12	Color of Wire	W/G	Signal Name	IGN SW (IG1)
--------------	----	---------------	-----	-------------	--------------

Connector No.	E52
Connector Name	WIRE TO WIRE
Connector Color	WHITE



1	2
---	---

Terminal No.	1	Color of Wire	W	Signal Name	-
--------------	---	---------------	---	-------------	---

Connector No.	E26
Connector Name	WIRE TO WIRE
Connector Color	WHITE



1	2	3	4	5	6	7
8	9	10	11	12	13	14
15	16					

Terminal No.	10	Color of Wire	P	Signal Name	-
	11	Color of Wire	L	Signal Name	-

Connector No.	E124
Connector Name	IPDM E/R (INTELLIGENT POWER DISTRIBUTION MODULE ENGINE ROOM)
Connector Color	BLACK



59	58	57
62	61	60

Terminal No.	59	Color of Wire	B	Signal Name	GND (POWER)
--------------	----	---------------	---	-------------	-------------

Connector No.	E122
Connector Name	IPDM E/R (INTELLIGENT POWER DISTRIBUTION MODULE ENGINE ROOM)
Connector Color	WHITE



42	41	40	39	38	37
48	47	46	45	44	43

Terminal No.	38	Color of Wire	B	Signal Name	GND (SIGNAL)
	39	Color of Wire	L	Signal Name	CAN-H
	40	Color of Wire	P	Signal Name	CAN-L
	48	Color of Wire	R	Signal Name	INHIBIT SW

Connector No.	E120
Connector Name	IPDM E/R (INTELLIGENT POWER DISTRIBUTION MODULE ENGINE ROOM)
Connector Color	WHITE



21	20	19
24	23	22

Terminal No.	19	Color of Wire	W	Signal Name	STARTER MTR
	21	Color of Wire	GR	Signal Name	IGN SW (ST)

ABBI/A0074GB

# STARTING SYSTEM

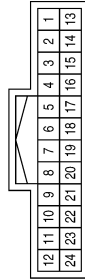
## < COMPONENT DIAGNOSIS >

Connector No.	E210
Connector Name	STARTER MOTOR
Connector Color	BLACK



Terminal No.	2	Color of Wire	B/R	Signal Name	-
--------------	---	---------------	-----	-------------	---

Connector No.	F14
Connector Name	WIRE TO WIRE
Connector Color	WHITE



Terminal No.	21	Color of Wire	R	Signal Name	-
--------------	----	---------------	---	-------------	---

Connector No.	F17
Connector Name	STARTER MOTOR (WITH VK56DE)
Connector Color	GRAY



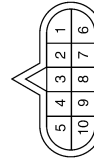
Terminal No.	1	Color of Wire	W	Signal Name	-
--------------	---	---------------	---	-------------	---

Connector No.	F35
Connector Name	WIRE TO WIRE
Connector Color	WHITE



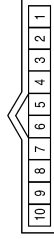
Terminal No.	1	Color of Wire	W	Signal Name	-
--------------	---	---------------	---	-------------	---

Connector No.	F70
Connector Name	A/T ASSEMBLY (WITH VK56DE)
Connector Color	GREEN



Terminal No.	9	Color of Wire	R	Signal Name	-
--------------	---	---------------	---	-------------	---

Connector No.	F502
Connector Name	TCM (TRANSMISSION CONTROL MODULE)
Connector Color	GRAY



Terminal No.	8	Color of Wire	G	Signal Name	START-RLY
--------------	---	---------------	---	-------------	-----------

# STARTING SYSTEM

< SYMPTOM DIAGNOSIS >

## SYMPTOM DIAGNOSIS

### STARTING SYSTEM

#### Symptom Table

INFOID:000000003939351

A

STR

Symptom	Reference
No normal cranking	Refer to <a href="#">STR-5, "Work Flow"</a> .
Starter motor does not rotate	

C

D

E

F

G

H

I

J

K

L

M

N

O

P

# STARTER MOTOR

< ON-VEHICLE REPAIR >

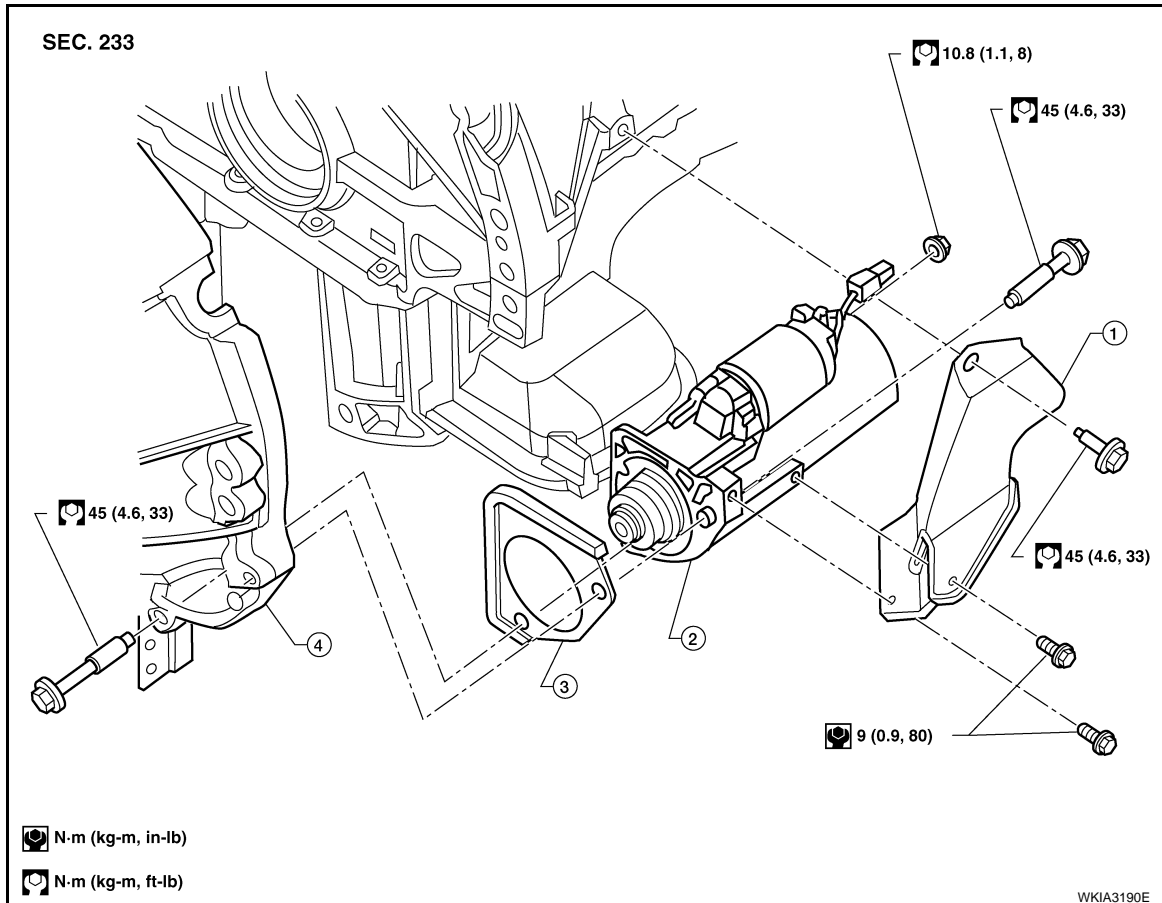
## ON-VEHICLE REPAIR

### STARTER MOTOR

Exploded View

INFOID:000000003939352

VQ40DE Models



1. Starter cover
2. Starter motor assembly
3. Starter cover plate (rear)
4. Transmission housing

## Removal and Installation

INFOID:000000003939353

### VQ40DE MODELS

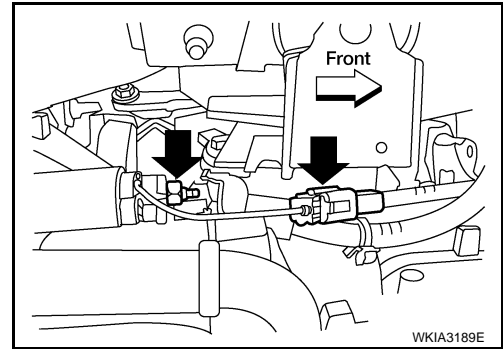
#### Removal

1. Disconnect the negative battery terminal.
2. Remove engine undercover, using power tools.
3. Remove exhaust manifold cover from exhaust manifold (right bank) to gain access to starter cover bolts. Refer to [EM-31, "Removal and Installation"](#).
4. Remove starter cover bolts and starter cover.

# STARTER MOTOR

## < ON-VEHICLE REPAIR >

5. Disconnect terminal "1" connector and terminal "2" nut.
6. Remove the two starter bolts, using power tools.
7. Remove the starter.



### Installation

Installation is in the reverse order of removal.

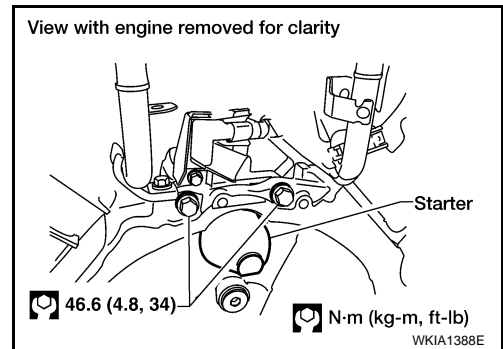
### **CAUTION:**

**Tighten terminal "2" nut carefully.**

## VK56DE MODELS

### Removal

1. Remove the intake manifold. Refer to [EM-168, "Removal and Installation"](#).
2. Disconnect terminal "1" connector and terminal "2" nut.
3. Remove the two starter bolts, using power tools.
4. Remove the starter.



### Installation

Installation is in the reverse order of removal.

**Terminal "2" nut : 10.8 N-m (1.1 kg-m, 8 ft-lb)**

### **CAUTION:**

**Tighten terminal "2" nut carefully.**

# STARTER MOTOR

< SERVICE DATA AND SPECIFICATIONS (SDS)

## SERVICE DATA AND SPECIFICATIONS (SDS)

### STARTER MOTOR

Starter

INFOID:000000003939354

Application		VQ40DE	VK56DE
Manufacturer		Mitsubishi M002T85571ZCKD	
Type		Reduction gear type	
System voltage		12V	
	Terminal voltage	11V	
No-load	Current	Less than 120A	Less than 145A
	Revolution	More than 3,100 rpm	More than 3,300 rpm