

SECTION **MIR**
MIRRORS

A
B
C
D
E
F
G
H
I
J
K
M
N
O
P

CONTENTS

COMPONENT DIAGNOSIS	2	REMOVAL AND INSTALLATION	13
DOOR MIRROR	2	PREPARATION	13
Wiring Diagram — Door Mirror (With Heated Mir-		Special Service Tool	13
rors) —	2	Commercial Service Tool	13
Wiring Diagram — Door Mirror (Without Heated		INSIDE MIRROR	14
Mirrors) —	5	Removal and Installation	14
INSIDE MIRROR	8	DOOR MIRROR	15
Wiring Diagram—With HomeLink—	8	Door Mirror Assembly	15
Wiring Diagram—Without HomeLink—	10	Door Mirror Glass	15
PRECAUTION	12	DISASSEMBLY AND ASSEMBLY	17
PRECAUTIONS	12	DOOR MIRROR	17
Precaution for Supplemental Restraint System		Mirror Actuator	17
(SRS) "AIR BAG" and "SEAT BELT PRE-TEN-			
SIONER"	12		

MIR

DOOR MIRROR

< COMPONENT DIAGNOSIS >

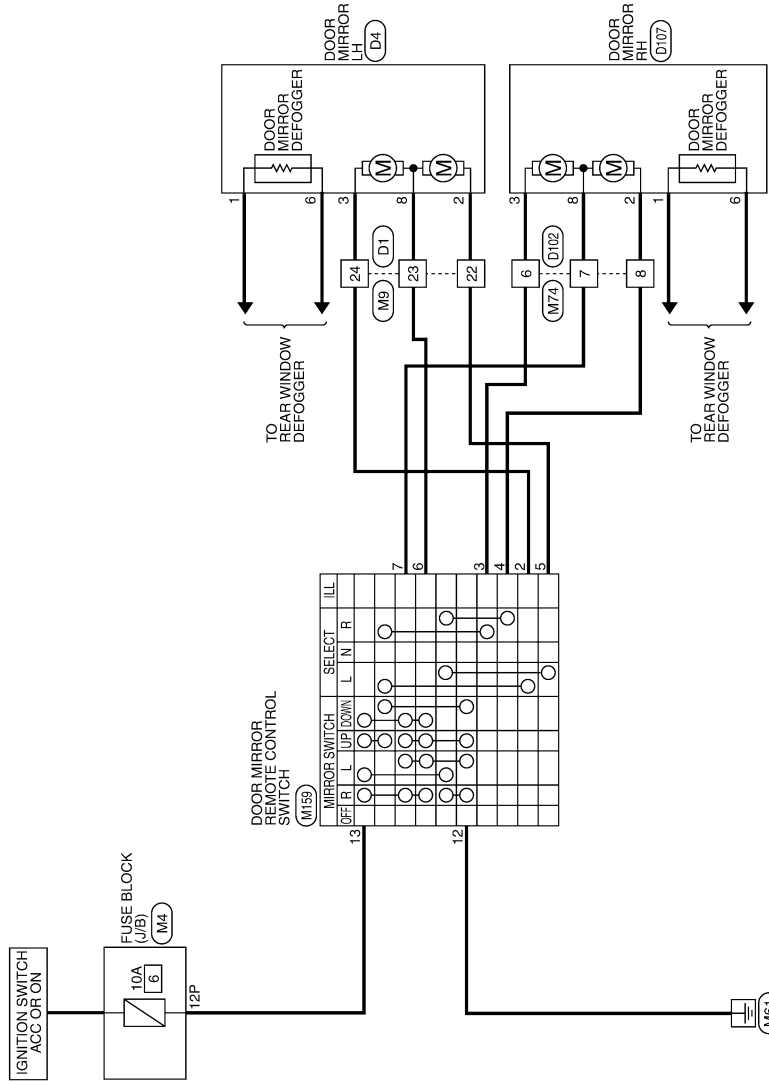
COMPONENT DIAGNOSIS

DOOR MIRROR

Wiring Diagram — Door Mirror (With Heated Mirrors) —

INFOID:000000003938579

DOOR MIRROR - WITH HEATED MIRRORS



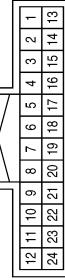
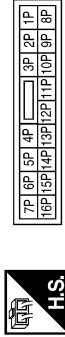
ABLWA0104GB

DOOR MIRROR

< COMPONENT DIAGNOSIS >

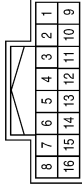
DOOR MIRROR CONNECTORS - WITH HEATED MIRRORS

Connector No.	M4
Connector Name	FUSE BLOCK (J/B)
Connector Color	WHITE



Connector No.	M9
Connector Name	WIRE TO WIRE
Connector Color	WHITE

Connector No.	M74
Connector Name	WIRE TO WIRE
Connector Color	WHITE

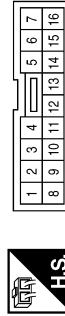


Terminal No.	Color of Wire	Signal Name
12P	G/Y	-

Terminal No.	Color of Wire	Signal Name
22	Y	-
23	V	-
24	L	-

Terminal No.	Color of Wire	Signal Name
6	R	-
7	P	-
8	LG	-

Connector No.	M159
Connector Name	DOOR MIRROR REMOTE CONTROL SWITCH
Connector Color	WHITE



Terminal No.	Color of Wire	Signal Name
1	-	-
2	L	-
3	R	-

Terminal No.	Color of Wire	Signal Name
4	LG	-
5	Y	-
6	V	-
7	P	-
8	-	-
9	-	-
10	-	-
11	-	-
12	B	-
13	G/Y	-
14	-	-
15	-	-
16	-	-

Connector No.	D1
Connector Name	WIRE TO WIRE
Connector Color	WHITE



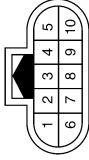
Terminal No.	Color of Wire	Signal Name
22	Y/R	-
23	V/W	-
24	L/R	-

ABLIA0378GB

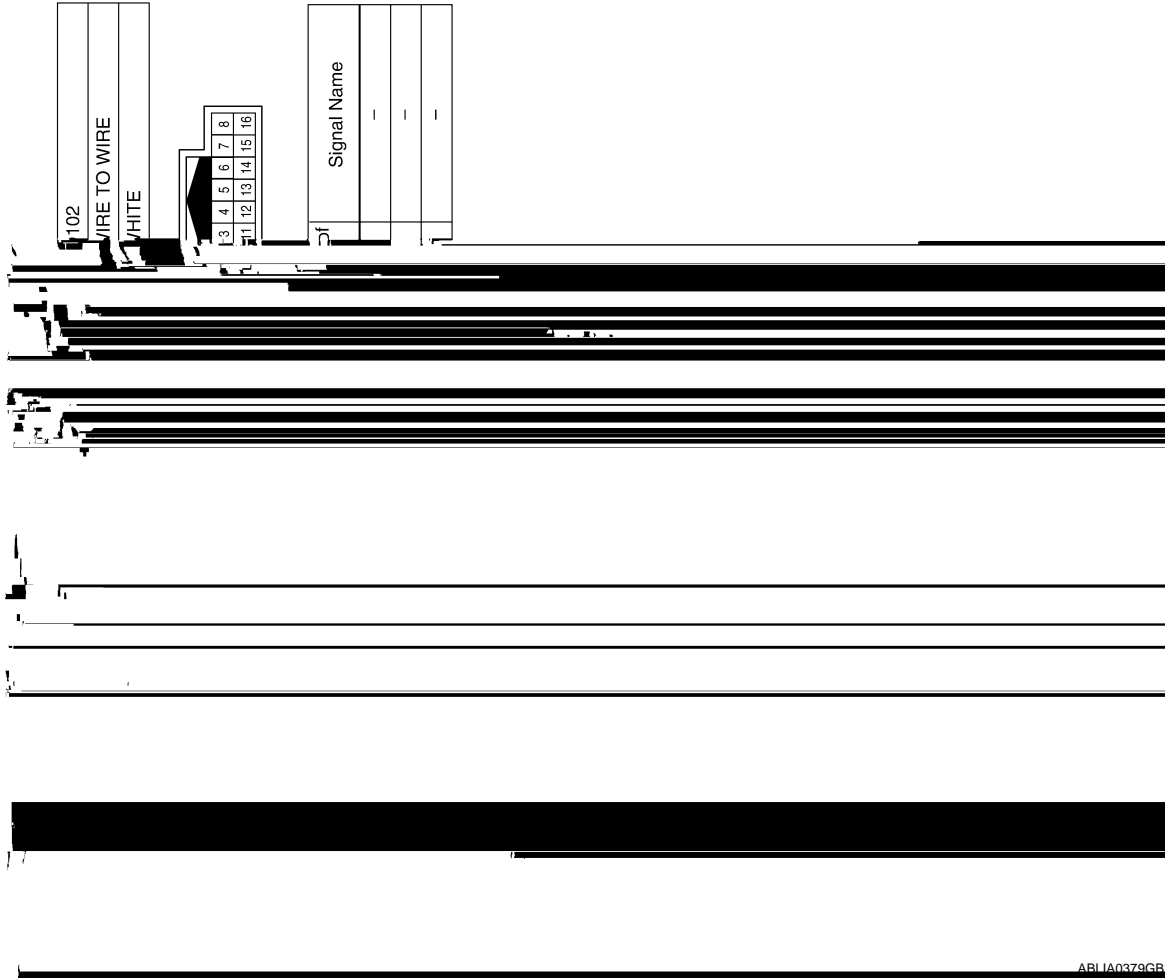
DOOR MIRROR

< COMPONENT DIAGNOSIS >

Connector No.	D107
Connector Name	DOOR MIRROR RH (WITH HEATED MIRRORS)
Connector Color	BLACK



Terminal No.	Color of Wire	Signal Name
1	L/B	-
2	Y/B	-
3	L/B	-
4	-	-
5	-	-
6	B	-
7	-	-
8	V/W	-
9	-	-
10	-	-



ABLIA0379GB

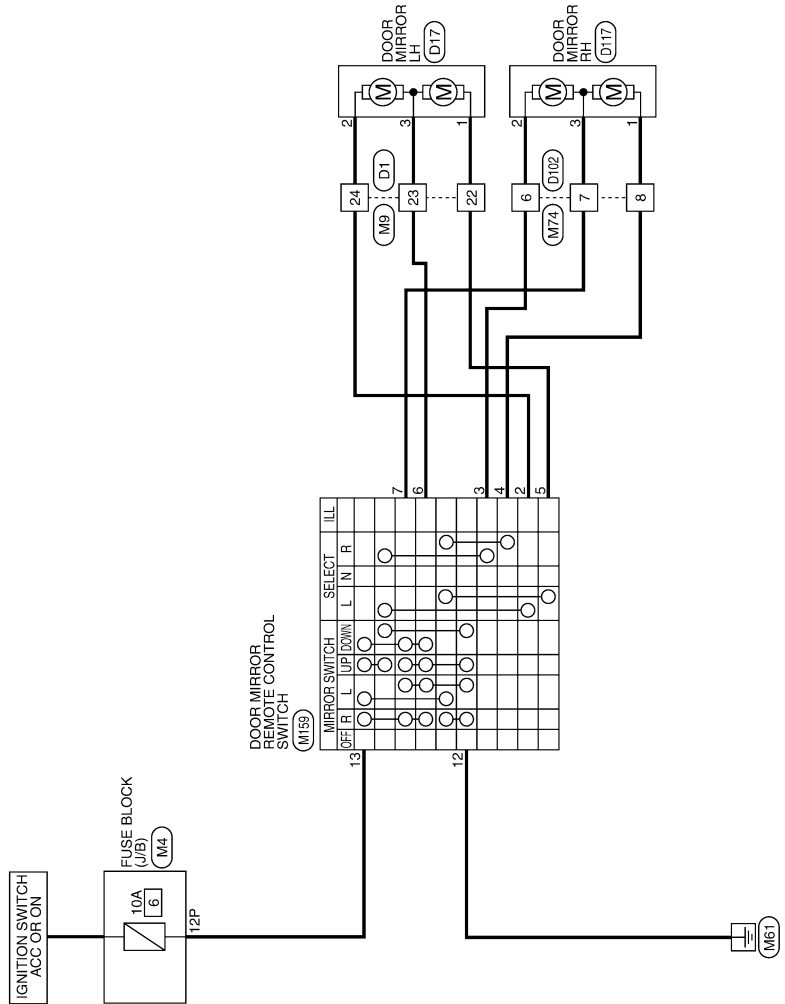
DOOR MIRROR

< COMPONENT DIAGNOSIS >

Wiring Diagram — Door Mirror (Without Heated Mirrors) —

INFOID:000000003938580

DOOR MIRROR - WITHOUT HEATED MIRRORS



A
B
C
D
E
F
G
H
I
J
K
L
M
N
O
P

MIR

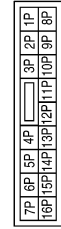
ABLWA0105GB

DOOR MIRROR

< COMPONENT DIAGNOSIS >

DOOR MIRROR CONNECTORS - WITHOUT HEATED MIRRORS

Connector No.	M4
Connector Name	FUSE BLOCK (J/B)
Connector Color	WHITE



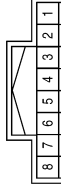
Terminal No.	Color of Wire	Signal Name
12P	G/Y	-

Connector No.	M9
Connector Name	WIRE TO WIRE
Connector Color	WHITE



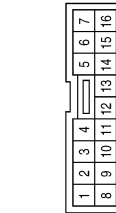
Terminal No.	Color of Wire	Signal Name
22	Y	-
23	V	-
24	L	-

Connector No.	M74
Connector Name	WIRE TO WIRE
Connector Color	WHITE



Terminal No.	Color of Wire	Signal Name
6	R	-
7	P	-
8	LG	-

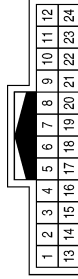
Connector No.	M159
Connector Name	DOOR MIRROR REMOTE CONTROL SWITCH
Connector Color	WHITE



Terminal No.	Color of Wire	Signal Name
1	-	-
2	L	-
3	R	-

Terminal No.	Color of Wire	Signal Name
4	LG	-
5	Y	-
6	V	-
7	P	-
8	-	-
9	-	-
10	-	-
11	-	-
12	B	-
13	G/Y	-
14	-	-
15	-	-
16	-	-

Connector No.	D1
Connector Name	WIRE TO WIRE
Connector Color	WHITE



Terminal No.	Color of Wire	Signal Name
22	Y/R	-
23	V/W	-
24	L/R	-

DOOR MIRROR

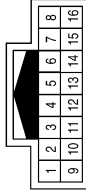
< COMPONENT DIAGNOSIS >

Connector No.	D117
Connector Name	DOOR MIRROR RH (WITHOUT HEATED MIRRORS)
Connector Color	BLACK



Terminal No.	Color of Wire	Signal Name
1	Y/B	-
2	L/B	-
3	V/W	-

Connector No.	D102
Connector Name	WIRE TO WIRE
Connector Color	WHITE



Terminal No.	Color of Wire	Signal Name
6	L/B	-
7	V/W	-
8	Y/B	-

Connector No.	D17
Connector Name	DOOR MIRROR LH (WITHOUT HEATED MIRRORS)
Connector Color	BLACK



Terminal No.	Color of Wire	Signal Name
1	Y/R	-
2	L/R	-
3	V/W	-

A
B
C
D
E
F
G
H
I
J
K
M
N
O
P

MIR

ABLIA0381GB

INSIDE MIRROR

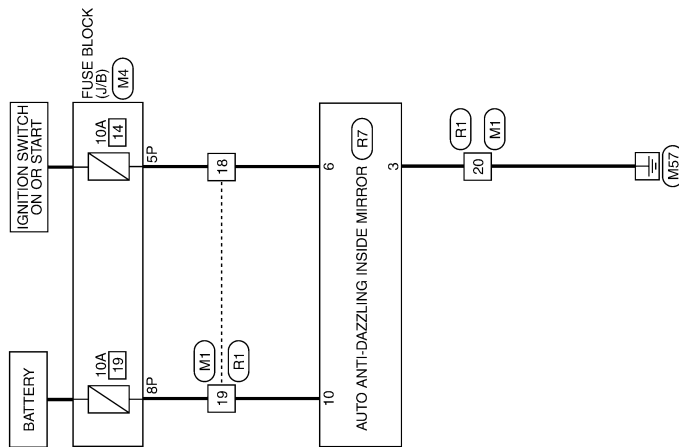
< COMPONENT DIAGNOSIS >

INSIDE MIRROR

Wiring Diagram—With HomeLink—

INFOID:000000003938581

INSIDE MIRROR - WITH HOMELINK UNIVERSAL TRANSCEIVER



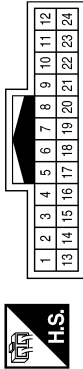
ABLWA0106GB

INSIDE MIRROR

< COMPONENT DIAGNOSIS >

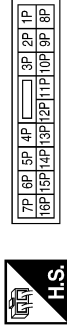
INSIDE MIRROR CONNECTORS - WITH HOMELINK UNIVERSAL TRANSCIEVER

Connector No.	M1
Connector Name	WIRE TO WIRE
Connector Color	WHITE



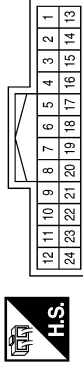
Terminal No.	Color of Wire	Signal Name
18	W/G	-
19	R/Y	-
20	B	-

Connector No.	M4
Connector Name	FUSE BLOCK (J/B)
Connector Color	WHITE



Terminal No.	Color of Wire	Signal Name
5P	W/G	-
8P	R/Y	-

Connector No.	R1
Connector Name	WIRE TO WIRE
Connector Color	WHITE



Terminal No.	Color of Wire	Signal Name
18	W/G	-
19	R/Y	-
20	B	-

Connector No.	R7
Connector Name	AUTO ANTI-DAZZLING INSIDE MIRROR (WITH HOMELINK UNIVERSAL TRANSCIEVER)
Connector Color	BLACK



Terminal No.	Color of Wire	Signal Name
1	-	-
2	-	-
3	B	GND
4	-	-
5	-	-
6	W/G	IGN
7	-	-
8	-	-
9	-	-
10	R/Y	B

A
B
C
D
E
F
G
H
I
J
K
M
N
O
P

MIR

ABLIA0382GB

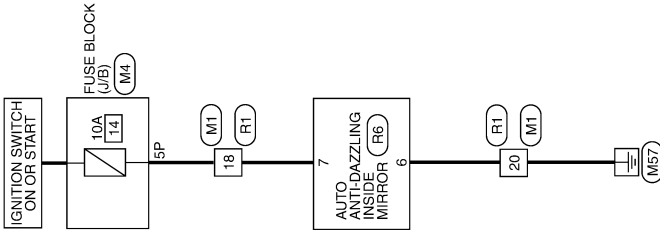
INSIDE MIRROR

< COMPONENT DIAGNOSIS >

Wiring Diagram—Without HomeLink—

INFOID:000000003938582

INSIDE MIRROR - WITHOUT HOMELINK UNIVERSAL TRANSCEIVER



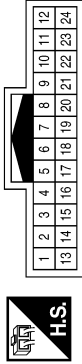
ABLWA0157GB

INSIDE MIRROR

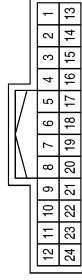
< COMPONENT DIAGNOSIS >

INSIDE MIRROR CONNECTORS - WITHOUT HOMELINK UNIVERSAL TRANSCIEVER

Connector No.	M1
Connector Name	WIRE TO WIRE
Connector Color	WHITE



Connector No.	M4
Connector Name	FUSE BLOCK (J/B)
Connector Color	WHITE



Connector No.	R1
Connector Name	WIRE TO WIRE
Connector Color	WHITE

Terminal No.	Color of Wire	Signal Name
18	W/G	-
20	B	-

Terminal No.	Color of Wire	Signal Name
5P	W/G	-

Terminal No.	Color of Wire	Signal Name
18	W/G	-
20	B	-

Connector No.	R6
Connector Name	AUTO ANTI-DAZZLING INSIDE MIRROR (WITHOUT HOMELINK UNIVERSAL TRANSCIEVER)
Connector Color	RED



Terminal No.	Color of Wire	Signal Name
1	-	-
2	-	-
3	-	-
4	-	-
5	-	-
6	B	GND
7	W/G	IGN

A B C D E F G H I J K L M N O P

MIR

PRECAUTIONS

< PRECAUTION >

PRECAUTION

PRECAUTIONS

Precaution for Supplemental Restraint System (SRS) "AIR BAG" and "SEAT BELT PRE-TENSIONER"

INFOID:000000003938583

The Supplemental Restraint System such as "AIR BAG" and "SEAT BELT PRE-TENSIONER", used along with a front seat belt, helps to reduce the risk or severity of injury to the driver and front passenger for certain types of collision. This system includes seat belt switch inputs and dual stage front air bag modules. The SRS system uses the seat belt switches to determine the front air bag deployment, and may only deploy one front air bag, depending on the severity of a collision and whether the front occupants are belted or unbelted. Information necessary to service the system safely is included in the SR and SB section of this Service Manual.

WARNING:

- To avoid rendering the SRS inoperative, which could increase the risk of personal injury or death in the event of a collision which would result in air bag inflation, all maintenance must be performed by an authorized NISSAN/INFINITI dealer.
- Improper maintenance, including incorrect removal and installation of the SRS, can lead to personal injury caused by unintentional activation of the system. For removal of Spiral Cable and Air Bag Module, see the SR section.
- Do not use electrical test equipment on any circuit related to the SRS unless instructed to in this Service Manual. SRS wiring harnesses can be identified by yellow and/or orange harnesses or harness connectors.

PREPARATION

< REMOVAL AND INSTALLATION >

REMOVAL AND INSTALLATION

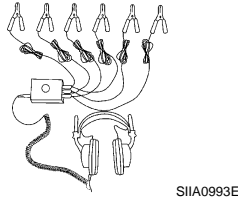
PREPARATION

Special Service Tool

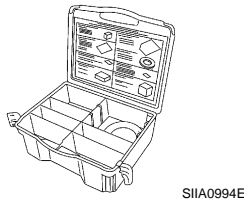
INFOID:000000003938584

The actual shapes of Kent-Moore tools may differ from those of special service tools illustrated here.

Tool number (Kent-Moore No.) Tool name	Description
— (J-39570) Chassis ear	Locating the noise
— (J-43980) NISSAN Squeak and Rattle Kit	Repairing the cause of noise



SIA0993E

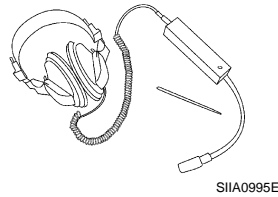


SIA0994E

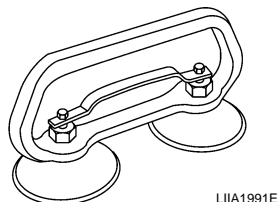
Commercial Service Tool

INFOID:000000003938585

(Kent-Moore No.) Tool name	Description
(J-39565) Engine ear	Locating the noise
(—) Suction Lifter	Holding door glass



SIA0995E



LIA1991E

A

B

C

D

E

F

G

H

I

J

K

MIR

M

N

O

P

INSIDE MIRROR

< REMOVAL AND INSTALLATION >

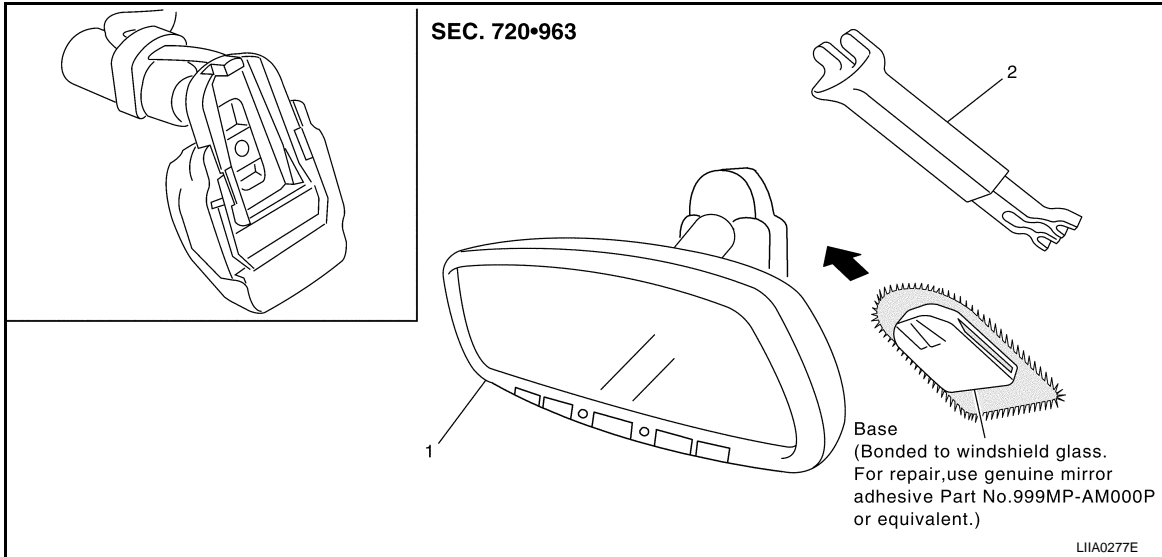
INSIDE MIRROR

Removal and Installation

INFOID:000000003938586

INSIDE MIRROR

1. Remove inside mirror finisher.
2. Remove inside mirror screw and slide the mirror upward to remove.
3. Disconnect the connector.



1. Inside mirror
2. Inside mirror finisher

Installation is in the reverse order of removal.

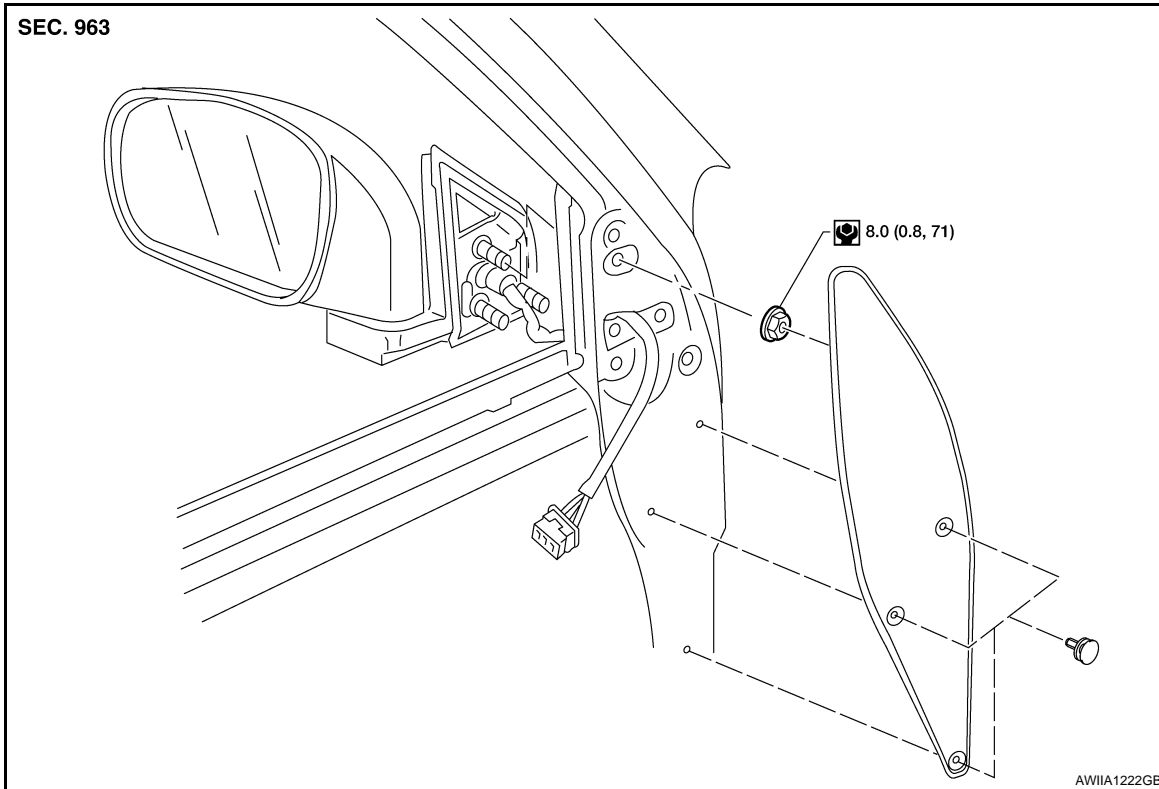
DOOR MIRROR

< REMOVAL AND INSTALLATION >

DOOR MIRROR

Door Mirror Assembly

INFOID:000000003938587



REMOVAL

NOTE:

Be careful not to damage the mirror bodies.

1. Remove the front door sash cover.
2. Remove the front door finisher. Refer to [INT-14, "Removal and Installation"](#).
3. Position the front door seal aside.
4. Disconnect the door mirror harness connector.
5. Remove the nuts and the door mirror assembly.

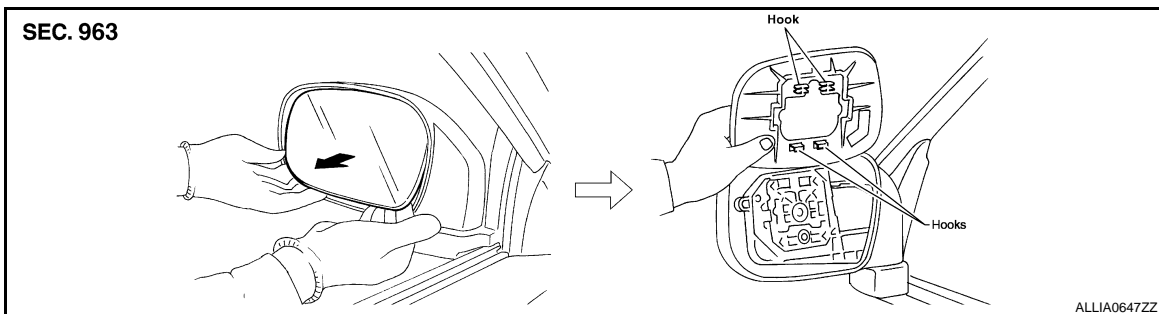
INSTALLATION

Installation is in the reverse order of removal.

Door Mirror Glass

INFOID:000000003938588

REMOVAL AND INSTALLATION



1. Angle the mirror fully up.
2. Remove the mirror.
 - Pull from the bottom to disengage the clips.
 - Continue to pivot the mirror upward from the bottom to separate the hooks.

A
B
C
D
E
F
G
H
I
J
K
M
N
O
P

MIR

DOOR MIRROR

< REMOVAL AND INSTALLATION >

3. If equipped, disconnect the electrical connectors and remove the mirror glass.
Installation is in the reverse order of removal.

DOOR MIRROR

< DISASSEMBLY AND ASSEMBLY >

DISASSEMBLY AND ASSEMBLY

DOOR MIRROR

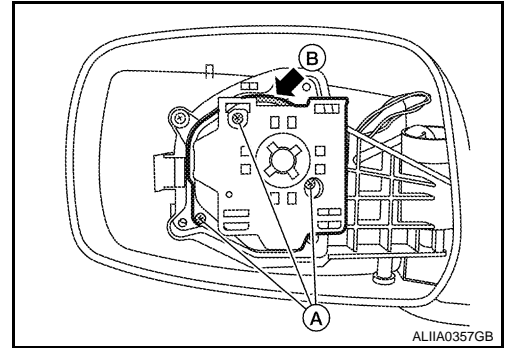
Mirror Actuator

INFOID:000000004410617

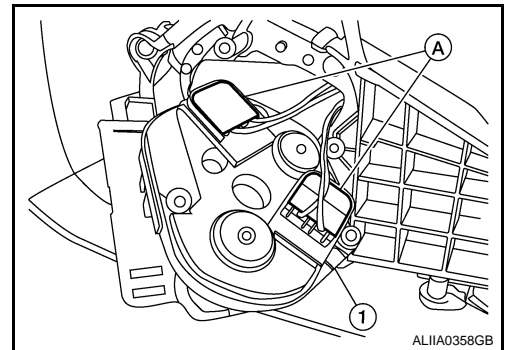
DISASSEMBLY AND ASSEMBLY

Disassembly

1. Remove the mirror glass. Refer to [MIR-15, "Door Mirror Glass"](#).
2. Remove the screws (A) and release the actuator from housing (B).



3. Disconnect the connectors (A) and remove the actuator (1).



Assembly

Assembly is the reverse order of disassembly.

A
B
C
D
E
F
G
H
I
J
K
M
N
O
P

MIR