

SECTION **HRN**
HORN

A
B
C
D
E
F
G
H
I
J
K
M
N
O
P

CONTENTS

PRECAUTION	2	HORN	3
PRECAUTIONS	2	Wiring Diagram	3
Precaution for Supplemental Restraint System (SRS) "AIR BAG" and "SEAT BELT PRE-TEN- SIONER"	2	ON-VEHICLE REPAIR	6
COMPONENT DIAGNOSIS	3	HORN	6
		Wiring Diagram - HORN -	6
		Removal and Installation	7

HRN

PRECAUTIONS

< PRECAUTION >

PRECAUTION

PRECAUTIONS

Precaution for Supplemental Restraint System (SRS) "AIR BAG" and "SEAT BELT PRE-TENSIONER"

INFOID:000000001716768

The Supplemental Restraint System such as "AIR BAG" and "SEAT BELT PRE-TENSIONER", used along with a front seat belt, helps to reduce the risk or severity of injury to the driver and front passenger for certain types of collision. This system includes seat belt switch inputs and dual stage front air bag modules. The SRS system uses the seat belt switches to determine the front air bag deployment, and may only deploy one front air bag, depending on the severity of a collision and whether the front occupants are belted or unbelted. Information necessary to service the system safely is included in the SR and SB section of this Service Manual.

WARNING:

- To avoid rendering the SRS inoperative, which could increase the risk of personal injury or death in the event of a collision which would result in air bag inflation, all maintenance must be performed by an authorized NISSAN/INFINITI dealer.
- Improper maintenance, including incorrect removal and installation of the SRS, can lead to personal injury caused by unintentional activation of the system. For removal of Spiral Cable and Air Bag Module, see the SR section.
- Do not use electrical test equipment on any circuit related to the SRS unless instructed to in this Service Manual. SRS wiring harnesses can be identified by yellow and/or orange harnesses or harness connectors.

HORN

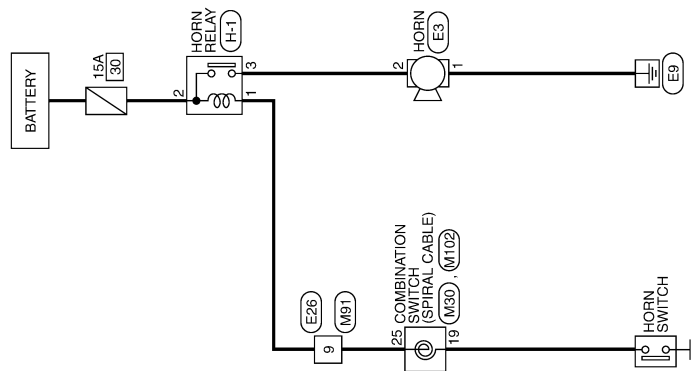
< COMPONENT DIAGNOSIS >

COMPONENT DIAGNOSIS

HORN

Wiring Diagram

INFOID:000000001716770



HORN

ALLWA0036GB

HRN-3

A
B
C
D
E
F
G
H
I
J
K
HRN
M
N
O
P

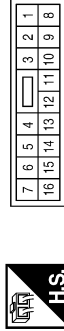
HORN CONNECTORS

Connector No.	M30
Connector Name	COMBINATION SWITCH (SPIRAL CABLE)
Connector Color	GRAY



Terminal No.	25	Color of Wire	BR	Signal Name	HORN
--------------	----	---------------	----	-------------	------

Connector No.	M91
Connector Name	WIRE TO WIRE
Connector Color	WHITE



Terminal No.	9	Color of Wire	BR	Signal Name	-
--------------	---	---------------	----	-------------	---

Connector No.	M102
Connector Name	COMBINATION SWITCH (SPIRAL CABLE)
Connector Color	GRAY



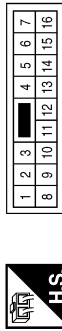
Terminal No.	19	Color of Wire	G	Signal Name	-
--------------	----	---------------	---	-------------	---

Connector No.	E3
Connector Name	HORN
Connector Color	BLACK



Terminal No.	1	Color of Wire	B	Signal Name	-
Terminal No.	2	Color of Wire	G	Signal Name	-

Connector No.	E26
Connector Name	WIRE TO WIRE
Connector Color	WHITE



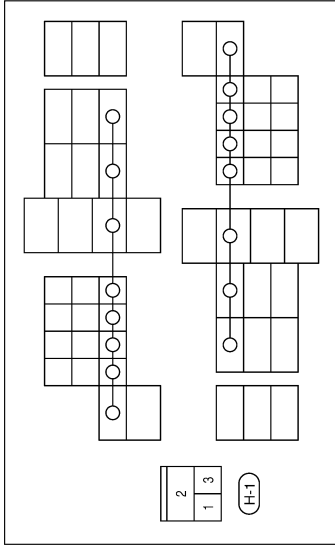
Terminal No.	9	Color of Wire	BR	Signal Name	-
--------------	---	---------------	----	-------------	---

HORN

< COMPONENT DIAGNOSIS >

Terminal No.	Color of Wire	Signal Name
1	BR	-
2	O	-
3	G	-

Connector No.	H-1
Connector Name	FUSE AND FUSIBLE LINK BOX
Connector Color	-



- A
- B
- C
- D
- E
- F
- G
- H
- I
- J
- K
- HRN**
- M
- N
- O
- P

ALLIA0308GB

HORN

< ON-VEHICLE REPAIR >

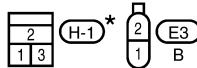
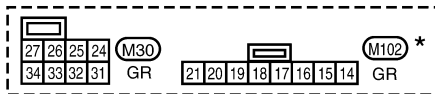
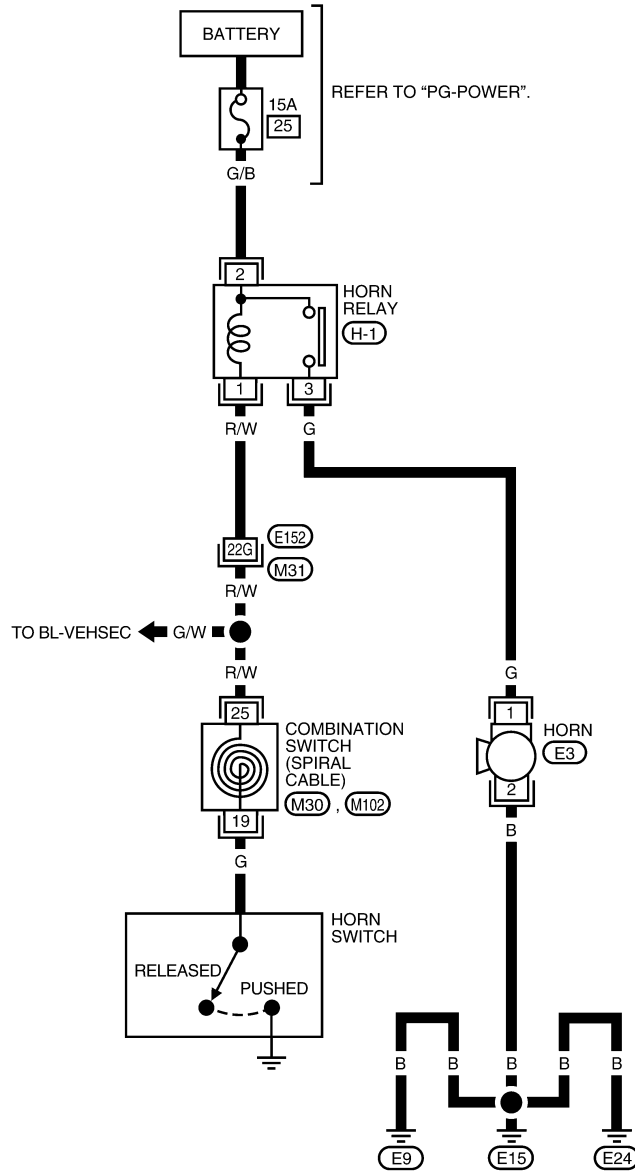
ON-VEHICLE REPAIR

HORN

Wiring Diagram - HORN -

INFOID:000000001677658

WW-HORN-01



REFER TO THE FOLLOWING.

(M31) - SUPER MULTIPLE JUNCTION (SMJ)

* : THIS CONNECTOR IS NOT SHOWN IN "HARNESS LAYOUT" OF PG SECTION.

WKWA3614E

HORN

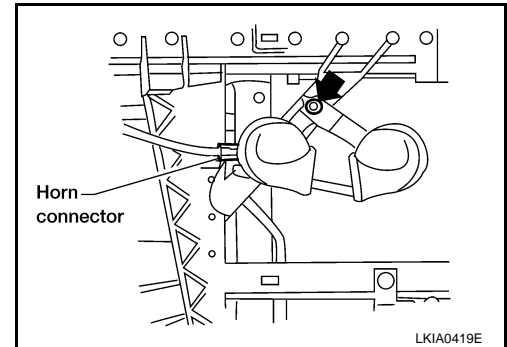
< ON-VEHICLE REPAIR >

Removal and Installation

INFOID:000000001677659

REMOVAL

1. Disconnect the negative battery terminal.
2. Disconnect horn connector.
3. Remove horn bolt and remove horn from vehicle.



INSTALLATION

Installation is in the reverse order of removal.

A

B

C

D

E

F

G

H

I

J

K

HRN

M

N

O

P