

SECTION EI
EXTERIOR & INTERIOR

A
B
C

CONTENTS

<p>PRECAUTIONS 3</p> <p> Service Notice 3</p> <p> Precautions for Supplemental Restraint System (SRS) "AIR BAG" and "SEAT BELT PRE-TENSIONER" 3</p> <p>PREPARATION 4</p> <p> Special Service Tools 4</p> <p> Commercial Service Tools 4</p> <p>SQUEAK AND RATTLE TROUBLE DIAGNOSES..... 5</p> <p> Work Flow 5</p> <p> CUSTOMER INTERVIEW 5</p> <p> DUPLICATE THE NOISE AND TEST DRIVE 6</p> <p> CHECK RELATED SERVICE BULLETINS 6</p> <p> LOCATE THE NOISE AND IDENTIFY THE ROOT CAUSE 6</p> <p> REPAIR THE CAUSE 6</p> <p> CONFIRM THE REPAIR 7</p> <p> Generic Squeak and Rattle Troubleshooting 7</p> <p> INSTRUMENT PANEL 7</p> <p> CENTER CONSOLE 7</p> <p> DOORS 7</p> <p> TRUNK 8</p> <p> SUNROOF/HEADLINING 8</p> <p> OVERHEAD CONSOLE (FRONT AND REAR)..... 8</p> <p> SEATS 8</p> <p> UNDERHOOD 8</p> <p> Diagnostic Worksheet 9</p> <p>CLIP AND FASTENER11</p> <p> Clip and Fastener 11</p> <p>FRONT BUMPER 14</p> <p> Removal and Installation 14</p> <p> REMOVAL 14</p> <p> INSTALLATION 14</p> <p>REAR BUMPER 15</p> <p> Removal and Installation 15</p> <p> REMOVAL 15</p> <p> INSTALLATION 15</p>	<p>FRONT GRILLE 16</p> <p> Removal and Installation 16</p> <p> REMOVAL 16</p> <p> INSTALLATION 16</p> <p>COWL TOP 17</p> <p> Removal and Installation 17</p> <p> REMOVAL 17</p> <p> INSTALLATION 17</p> <p>FRONT FENDER 18</p> <p> Removal and Installation 18</p> <p> REMOVAL 18</p> <p> INSTALLATION 18</p> <p>LICENSE LAMP FINISHER 19</p> <p> Removal and Installation 19</p> <p> REMOVAL 19</p> <p> INSTALLATION 19</p> <p>FENDER PROTECTOR 20</p> <p> Components 20</p> <p> Removal and Installation of Front Fender Protector.. 21</p> <p> REMOVAL 21</p> <p> INSTALLATION 21</p> <p> Removal and Installation of Rear Fender Protector.. 21</p> <p> REMOVAL 21</p> <p> INSTALLATION 21</p> <p>RUNNING BOARDS 22</p> <p> Removal and Installation 22</p> <p> REMOVAL 22</p> <p> INSTALLATION 22</p> <p>ROOF RACK 23</p> <p> Removal and Installation 23</p> <p> REMOVAL 23</p> <p> INSTALLATION 23</p> <p>DOOR OUTSIDE MOLDING 24</p> <p> Removal and Installation 24</p> <p> FRONT DOOR OUTSIDE MOLDING 24</p> <p>SIDE GUARD MOLDING 25</p> <p> Removal and Installation 25</p> <p> REMOVAL 25</p> <p> INSTALLATION 25</p>
----------------------------------------------------------------------------------------------------------------------------------------------------------------------------------------------------------------------------------------------------------------------------------------------------------------------------------------------------------------------------------------------------------------------------------------------------------------------------------------------------------------------------------------------------------------------------------------------------------------------------------------------------------------------------------------------------------------------------------------------------------------------------------------------------------------------------------------------------------------------------------------------------------------------------------------------------------------------------------------------------------------------------------------------------------------------------------------------------------------------------------------------------------------------------------------------------------------------------------------------------------------------------------------------------------------------------------------------------------------------------------------------------------------------------------------------------------------------------------------	-------------------------------------------------------------------------------------------------------------------------------------------------------------------------------------------------------------------------------------------------------------------------------------------------------------------------------------------------------------------------------------------------------------------------------------------------------------------------------------------------------------------------------------------------------------------------------------------------------------------------------------------------------------------------------------------------------------------------------------------------------------------------------------------------------------------------------------------------------------------------------------------------------------------------------------------------------------------------------------------------------------------------------------------------------------------------------------------------------------------------------------------------------------------------------------------------------------------------------------------------------------------------------------------------------------------------------------------------------------------------------------------------------------------------------------------------------------------------------------------------------------------------------------------------------------------------------------------------------

D
E
F
G
H
EI
J
K
L
M

DOOR FINISHER	26	HEADLINING	31
Removal and Installation	26	Removal and Installation	31
FRONT DOOR	26	REMOVAL	31
REAR DOOR	27	INSTALLATION	32
BODY SIDE TRIM	28	LUGGAGE FLOOR TRIM	33
Components	28	Components	33
Removal and installation	29	Removal and Installation	35
LOWER DASH SIDE FINISHER	29	REMOVAL	35
CENTER PILLAR LOWER FINISHER	29	INSTALLATION	35
CENTER PILLAR UPPER FINISHER	29	BACK DOOR TRIM	36
FRONT PILLAR UPPER FINISHER	29	Removal and Installation	36
FRONT PILLAR LOWER FINISHER	29	REMOVAL	36
KICK PLATES	29	INSTALLATION	36
FLOOR TRIM	30		
Removal and Installation	30		
REMOVAL	30		
INSTALLATION	30		

PRECAUTIONS

PRECAUTIONS

PFP:00001

Service Notice

EIS007TJ

- When removing or installing various parts, place a cloth or padding on the vehicle body to prevent scratches.
- Handle trim, molding, instruments, grille, etc. carefully during removing or installing. Be careful not to soil or damage them.
- Apply sealing compound where necessary when installing parts.
- When applying sealing compound, be careful that the sealing compound does not protrude from parts.
- When replacing any metal parts (for example body outer panel, members, etc.), be sure to take rust prevention measures.

Precautions for Supplemental Restraint System (SRS) “AIR BAG” and “SEAT BELT PRE-TENSIONER”

EIS007TK

The Supplemental Restraint System such as “AIR BAG” and “SEAT BELT PRE-TENSIONER”, used along with a front seat belt, helps to reduce the risk or severity of injury to the driver and front passenger for certain types of collision. This system includes seat belt switch inputs and dual stage front air bag modules. The SRS system uses the seat belt switches to determine the front air bag deployment, and may only deploy one front air bag, depending on the severity of a collision and whether the front occupants are belted or unbelted. Information necessary to service the system safely is included in the SRS and SB section of this Service Manual.

WARNING:

- **To avoid rendering the SRS inoperative, which could increase the risk of personal injury or death in the event of a collision which would result in air bag inflation, all maintenance must be performed by an authorized NISSAN/INFINITI dealer.**
- **Improper maintenance, including incorrect removal and installation of the SRS, can lead to personal injury caused by unintentional activation of the system. For removal of Spiral Cable and Air Bag Module, see the SRS section.**
- **Do not use electrical test equipment on any circuit related to the SRS unless instructed to in this Service Manual. SRS wiring harnesses can be identified by yellow and/or orange harnesses or harness connectors.**

PREPARATION

PREPARATION

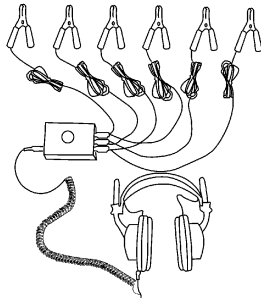
PF0:00002

Special Service Tools

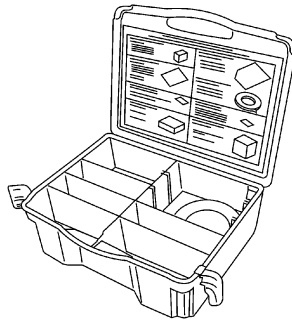
EIS007TL

The actual shapes of Kent-Moore tools may differ from those of special service tools illustrated here.

Tool number (Kent-Moore No.) Tool name	Description
— (J-39570) Chassis ear	Locating the noise
— (J-43980) NISSAN Squeak and Rattle kit	Repairing the cause of noise



SBT839

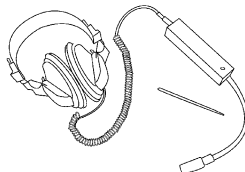


SBT840

Commercial Service Tools

EIS007TM

(Kent-Moore No.) Tool name	Description
(J-39565) Engine ear	Locating the noise



SIIA0995E

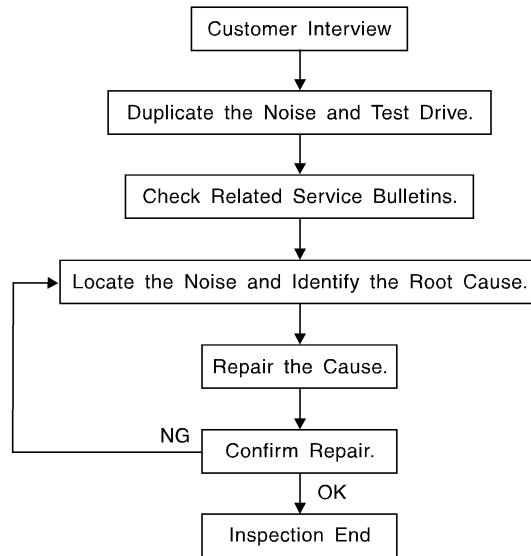
SQUEAK AND RATTLE TROUBLE DIAGNOSES

SQUEAK AND RATTLE TROUBLE DIAGNOSES

PF0:0000

Work Flow

EIS007TN



SBT842

CUSTOMER INTERVIEW

Interview the customer if possible, to determine the conditions that exist when the noise occurs. Use the Diagnostic Worksheet during the interview to document the facts and conditions when the noise occurs and any customer's comments; refer to [EI-9, "Diagnostic Worksheet"](#). This information is necessary to duplicate the conditions that exist when the noise occurs.

- The customer may not be able to provide a detailed description or the location of the noise. Attempt to obtain all the facts and conditions that exist when the noise occurs (or does not occur).
- If there is more than one noise in the vehicle, be sure to diagnose and repair the noise that the customer is concerned about. This can be accomplished by test driving the vehicle with the customer.
- After identifying the type of noise, isolate the noise in terms of its characteristics. The noise characteristics are provided so the customer, service adviser and technician are all speaking the same language when defining the noise.
- Squeak —(Like tennis shoes on a clean floor)
Squeak characteristics include the light contact/fast movement/brought on by road conditions/hard surfaces = higher pitch noise/softer surfaces = lower pitch noises/edge to surface = chirping.
- Creak—(Like walking on an old wooden floor)
Creak characteristics include firm contact/slow movement/twisting with a rotational movement/pitch dependent on materials/often brought on by activity.
- Rattle—(Like shaking a baby rattle)
Rattle characteristics include the fast repeated contact/vibration or similar movement/loose parts/missing clip or fastener/incorrect clearance.
- Knock —(Like a knock on a door)
Knock characteristics include hollow sounding/sometimes repeating/often brought on by driver action.
- Tick—(Like a clock second hand)
Tick characteristics include gentle contacting of light materials/loose components/can be caused by driver action or road conditions.
- Thump—(Heavy, muffled knock noise)
Thump characteristics include softer knock/dead sound often brought on by activity.
- Buzz—(Like a bumble bee)
Buzz characteristics include high frequency rattle/firm contact.
- Often the degree of acceptable noise level will vary depending upon the person. A noise that you may judge as acceptable may be very irritating to the customer.
- Weather conditions, especially humidity and temperature, may have a great effect on noise level.

SQUEAK AND RATTLE TROUBLE DIAGNOSES

DUPLICATE THE NOISE AND TEST DRIVE

If possible, drive the vehicle with the customer until the noise is duplicated. Note any additional information on the Diagnostic Worksheet regarding the conditions or location of the noise. This information can be used to duplicate the same conditions when you confirm the repair.

If the noise can be duplicated easily during the test drive, to help identify the source of the noise, try to duplicate the noise with the vehicle stopped by doing one or all of the following:

- 1) Close a door.
 - 2) Tap or push/pull around the area where the noise appears to be coming from.
 - 3) Rev the engine.
 - 4) Use a floor jack to recreate vehicle "twist".
 - 5) At idle, apply engine load (electrical load, A/T in drive position).
 - 6) Raise the vehicle on a hoist and hit a tire with a rubber hammer.
- Drive the vehicle and attempt to duplicate the conditions the customer states exist when the noise occurs.
 - If it is difficult to duplicate the noise, drive the vehicle slowly on an undulating or rough road to stress the vehicle body.

CHECK RELATED SERVICE BULLETINS

After verifying the customer concern or symptom, check ASIST for Technical Service Bulletins (TSBs) related to that concern or symptom.

If a TSB relates to the symptom, follow the procedure to repair the noise.

LOCATE THE NOISE AND IDENTIFY THE ROOT CAUSE

1. Narrow down the noise to a general area. To help pinpoint the source of the noise, use a listening tool (Chassis Ear: J-39570, Engine Ear: J-39565 and mechanic's stethoscope).
2. Narrow down the noise to a more specific area and identify the cause of the noise by:
 - removing the components in the area that you suspect the noise is coming from. Do not use too much force when removing clips and fasteners, otherwise clips and fasteners can be broken or lost during the repair, resulting in the creation of new noise.
 - tapping or pushing/pulling the component that you suspect is causing the noise. Do not tap or push/pull the component with excessive force, otherwise the noise will be eliminated only temporarily.
 - feeling for a vibration with your hand by touching the component(s) that you suspect is (are) causing the noise.
 - placing a piece of paper between components that you suspect are causing the noise.
 - looking for loose components and contact marks.
Refer to [EI-7, "Generic Squeak and Rattle Troubleshooting"](#).

REPAIR THE CAUSE

- If the cause is a loose component, tighten the component securely.
- If the cause is insufficient clearance between components:
 - separate components by repositioning or loosening and retightening the component, if possible.
 - insulate components with a suitable insulator such as urethane pads, foam blocks, felt cloth tape or urethane tape. A NISSAN Squeak and Rattle Kit (J-43980) is available through your authorized NISSAN Parts Department.

CAUTION:

Do not use excessive force as many components are constructed of plastic and may be damaged.

Always check with the Parts Department for the latest parts information.

The following materials are contained in the NISSAN Squeak and Rattle Kit (J-43980). Each item can be ordered separately as needed.

URETHANE PADS [1.5 mm (0.059 in) thick]

Insulates connectors, harness, etc.

76268-9E005: 100×135 mm (3.94×5.31 in)/76884-71L01: 60×85 mm (2.36×3.35 in)/76884-71L02: 15×25 mm (0.59×0.98 in)

INSULATOR (Foam blocks)

Insulates components from contact. Can be used to fill space behind a panel.

73982-9E000: 45 mm (1.77 in) thick, 50×50 mm (1.97×1.97 in)/73982-50Y00: 10 mm (0.39 in) thick, 50×50 mm (1.97×1.97 in)

INSULATOR (Light foam block)

SQUEAK AND RATTLE TROUBLE DIAGNOSES

80845-71L00: 30 mm (1.18 in) thick, 30×50 mm (1.18×1.97 in)

FELT CLOTH TAPE

Used to insulate where movement does not occur. Ideal for instrument panel applications.

68370-4B000: 15×25 mm (0.59×0.98 in) pad/68239-13E00: 5 mm (0.20 in) wide tape roll. The following materials not found in the kit can also be used to repair squeaks and rattles.

UHMW (TEFLON) TAPE

Insulates where slight movement is present. Ideal for instrument panel applications.

SILICONE GREASE

Used instead of UHMW tape that will be visible or not fit.

Note: Will only last a few months.

SILICONE SPRAY

Use when grease cannot be applied.

DUCT TAPE

Use to eliminate movement.

CONFIRM THE REPAIR

Confirm that the cause of a noise is repaired by test driving the vehicle. Operate the vehicle under the same conditions as when the noise originally occurred. Refer to the notes on the Diagnostic Worksheet.

Generic Squeak and Rattle Troubleshooting

EIS007TO

Refer to Table of Contents for specific component removal and installation information.

INSTRUMENT PANEL

Most incidents are caused by contact and movement between:

1. The cluster lid A and instrument panel
2. Acrylic lens and combination meter housing
3. Instrument panel to front pillar garnish
4. Instrument panel to windshield
5. Instrument panel mounting pins
6. Wiring harnesses behind the combination meter
7. A/C defroster duct and duct joint

These incidents can usually be located by tapping or moving the components to duplicate the noise or by pressing on the components while driving to stop the noise. Most of these incidents can be repaired by applying felt cloth tape or silicone spray (in hard to reach areas). Urethane pads can be used to insulate wiring harness.

CAUTION:

Do not use silicone spray to isolate a squeak or rattle. If you saturate the area with silicone, you will not be able to recheck the repair.

CENTER CONSOLE

Components to pay attention to include:

1. Shifter assembly cover to finisher
2. A/C control unit and cluster lid C
3. Wiring harnesses behind audio and A/C control unit

The instrument panel repair and isolation procedures also apply to the center console.

DOORS

Pay attention to the:

1. Finisher and inner panel making a slapping noise
2. Inside handle escutcheon to door finisher
3. Wiring harnesses tapping
4. Door striker out of alignment causing a popping noise on starts and stops

Tapping or moving the components or pressing on them while driving to duplicate the conditions can isolate many of these incidents. You can usually insulate the areas with felt cloth tape or insulator foam blocks from the NISSAN Squeak and Rattle Kit (J-43980) to repair the noise.

SQUEAK AND RATTLE TROUBLE DIAGNOSES

TRUNK

Trunk noises are often caused by a loose jack or loose items put into the trunk by the owner. In addition look for:

1. Trunk lid bumpers out of adjustment
2. Trunk lid striker out of adjustment
3. The trunk lid torsion bars knocking together
4. A loose license plate or bracket

Most of these incidents can be repaired by adjusting, securing or insulating the item(s) or component(s) causing the noise.

SUNROOF/HEADLINING

Noises in the sunroof/headlining area can often be traced to one of the following:

1. Sunroof lid, rail, linkage or seals making a rattle or light knocking noise
2. Sun visor shaft shaking in the holder
3. Front or rear windshield touching headliner and squeaking

Again, pressing on the components to stop the noise while duplicating the conditions can isolate most of these incidents. Repairs usually consist of insulating with felt cloth tape.

OVERHEAD CONSOLE (FRONT AND REAR)

Overhead console noises are often caused by the console panel clips not being engaged correctly. Most of these incidents are repaired by pushing up on the console at the clip locations until the clips engage.

In addition look for:

1. Loose harness or harness connectors.
2. Front console map/reading lamp lens loose.
3. Loose screws at console attachment points.

SEATS

When isolating seat noise it's important to note the position the seat is in and the load placed on the seat when the noise is present. These conditions should be duplicated when verifying and isolating the cause of the noise.

Cause of seat noise include:

1. Headrest rods and holder
2. A squeak between the seat pad cushion and frame
3. The rear seatback lock and bracket

These noises can be isolated by moving or pressing on the suspected components while duplicating the conditions under which the noise occurs. Most of these incidents can be repaired by repositioning the component or applying urethane tape to the contact area.

UNDERHOOD

Some interior noise may be caused by components under the hood or on the engine wall. The noise is then transmitted into the passenger compartment.

Causes of transmitted underhood noise include:

1. Any component mounted to the engine wall
2. Components that pass through the engine wall
3. Engine wall mounts and connectors
4. Loose radiator mounting pins
5. Hood bumpers out of adjustment
6. Hood striker out of adjustment

These noises can be difficult to isolate since they cannot be reached from the interior of the vehicle. The best method is to secure, move or insulate one component at a time and test drive the vehicle. Also, engine RPM or load can be changed to isolate the noise. Repairs can usually be made by moving, adjusting, securing, or insulating the component causing the noise.

SQUEAK AND RATTLE TROUBLE DIAGNOSES

EIS007TP

Diagnostic Worksheet

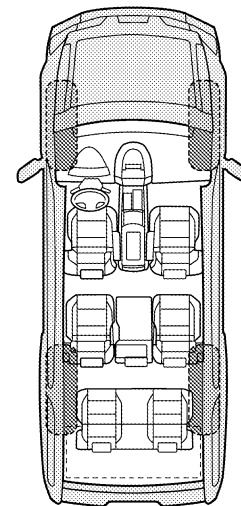
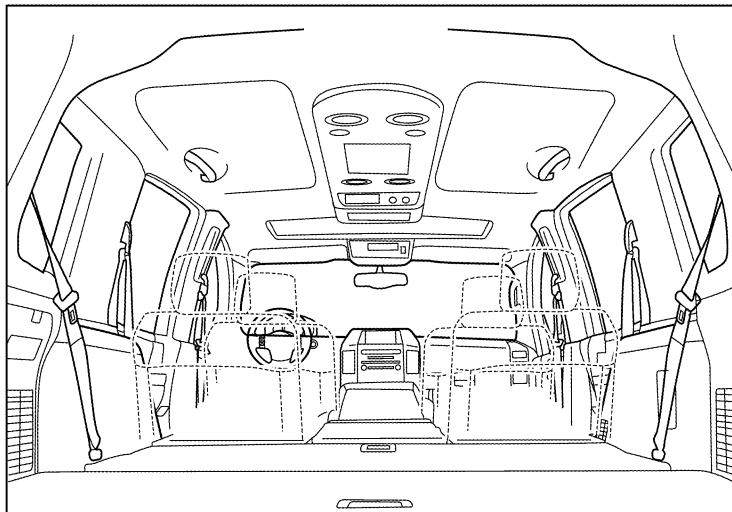
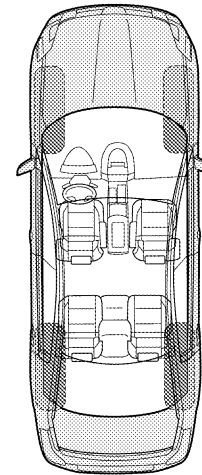
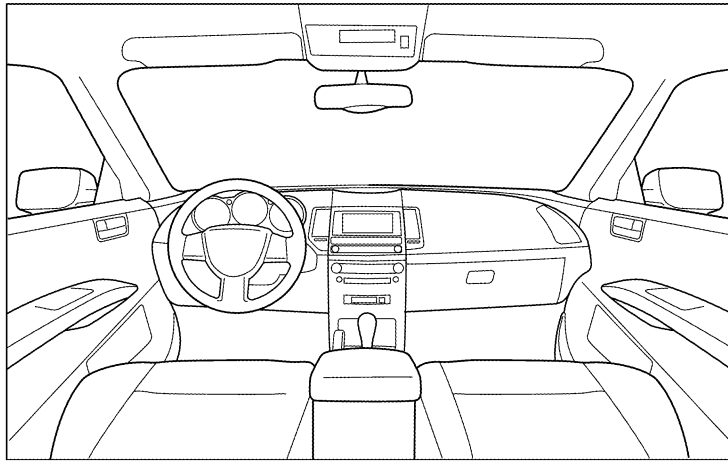
Dear Customer:

We are concerned about your satisfaction with your vehicle. Repairing a squeak or rattle sometimes can be very difficult. To help us fix your vehicle right the first time, please take a moment to note the area of the vehicle where the squeak or rattle occurs and under what conditions. You may be asked to take a test drive with a service advisor or technician to ensure we confirm the noise you are hearing.

SQUEAK & RATTLE DIAGNOSTIC WORKSHEET

I. WHERE DOES THE NOISE COME FROM? (circle the area of the vehicle)

The illustrations are for reference only, and may not reflect the actual configuration of your vehicle.



Continue to page 2 of the worksheet and briefly describe the location of the noise or rattle. In addition, please indicate the conditions which are present when the noise occurs.

A
B
C
D
E
F
G
H
EI
J
K
L
M

SQUEAK AND RATTLE TROUBLE DIAGNOSES

SQUEAK & RATTLE DIAGNOSTIC WORKSHEET - page 2

Briefly describe the location where the noise occurs:

II. WHEN DOES IT OCCUR? (please check the boxes that apply)

- | | |
|-------------------------------------------------------|--------------------------------------------------------|
| <input type="checkbox"/> Anytime | <input type="checkbox"/> After sitting out in the rain |
| <input type="checkbox"/> 1st time in the morning | <input type="checkbox"/> When it is raining or wet |
| <input type="checkbox"/> Only when it is cold outside | <input type="checkbox"/> Dry or dusty conditions |
| <input type="checkbox"/> Only when it is hot outside | <input type="checkbox"/> Other: |

III. WHEN DRIVING:

- Through driveways
- Over rough roads
- Over speed bumps
- Only about ____ mph
- On acceleration
- Coming to a stop
- On turns: left, right or either (circle)
- With passengers or cargo
- Other: _____
- After driving ____ miles or ____ minutes

IV. WHAT TYPE OF NOISE

- Squeak (like tennis shoes on a clean floor)
- Creak (like walking on an old wooden floor)
- Rattle (like shaking a baby rattle)
- Knock (like a knock at the door)
- Tick (like a clock second hand)
- Thump (heavy muffled knock noise)
- Buzz (like a bumble bee)

TO BE COMPLETED BY DEALERSHIP PERSONNEL

Test Drive Notes:

	YES	NO	Initials of person performing
Vehicle test driven with customer	<input type="checkbox"/>	<input type="checkbox"/>	_____
- Noise verified on test drive	<input type="checkbox"/>	<input type="checkbox"/>	_____
- Noise source located and repaired	<input type="checkbox"/>	<input type="checkbox"/>	_____
- Follow up test drive performed to confirm repair	<input type="checkbox"/>	<input type="checkbox"/>	_____

VIN: _____ Customer Name _____

W.O.# _____ Date: _____

This form must be attached to Work Order

LAI0071E


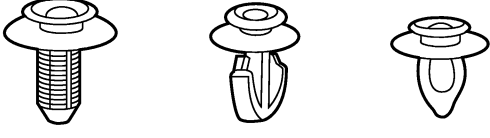


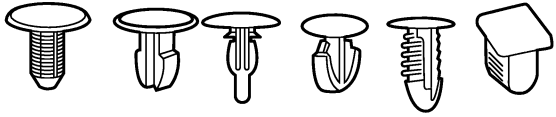
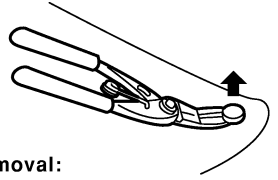

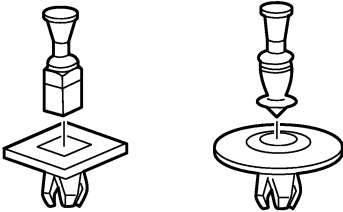
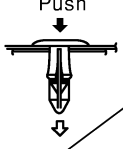
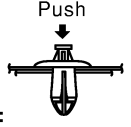

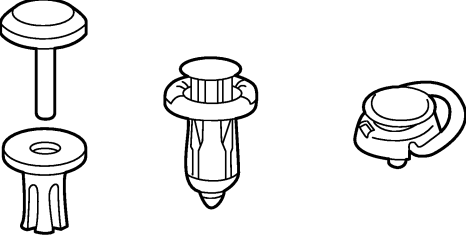
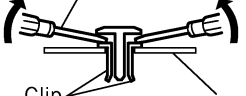

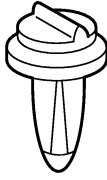
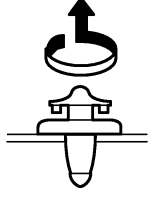
CLIP AND FASTENER

CLIP AND FASTENER

PFP:76906

Clip and Fastener


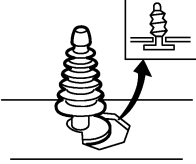
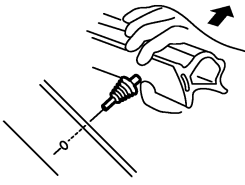

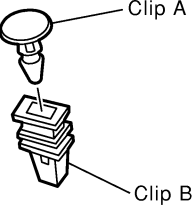
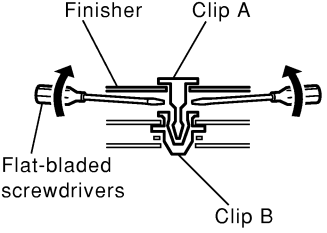

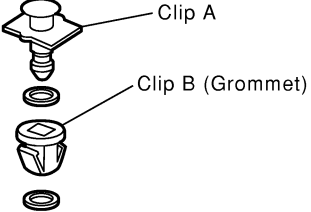
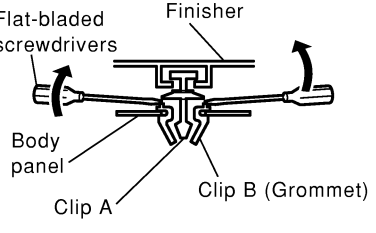
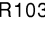

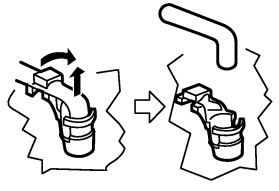

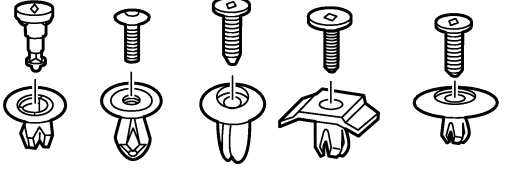

EIS007TQ

Symbol No.	Shapes	Removal & Installation
<p>C101</p> 		<p>Removal: Remove by bending up with flat-bladed screwdrivers or clip remover.</p> 
<p>C103</p> 		 <p>Removal: Remove with a clip remover.</p>
<p>C203</p> 		<p>Removal: Push center pin to catching position. (Do not remove center pin by hitting it.)</p> <p>Push</p>  <p>Installation:</p> <p>Push</p> 
<p>C205</p> 		<p>Removal:</p> <p>Flat-bladed screwdriver</p>  <p>Clip</p> <p>Finisher</p>
<p>C206</p> 		<p>Removal:</p> 

A
B
C
D
E
F
G
H
EI
J
K
L
M


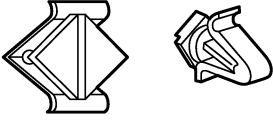

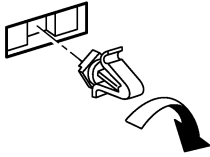

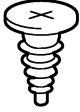



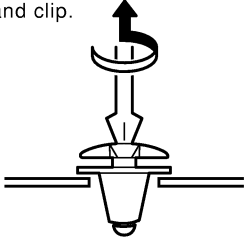


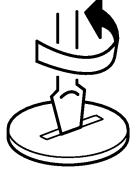
SIA0315E

CLIP AND FASTENER

Symbol No.	Shapes	Removal & Installation
<p>CE103</p> 		<p>Removal:</p> 
<p>CF110</p> 		<p>Removal:</p> 
<p>CF118</p> 		<p>Removal:</p> 
<p>CR103</p> 		<p>Removal: Holder portion of clip must be spread out to remove rod.</p> 
<p>CS101</p> 		<p>Removal:</p> <ol style="list-style-type: none"> 1. Screw out with a Phillips screwdriver. 2. Remove female portion with flat-bladed screwdriver. 

SIIA0316E

CLIP AND FASTENER

Symbol No.	Shapes	Removal & Installation	
<p>CG101</p> 		<p>Removal:</p>  <p>Rotate 45° to remove</p>	<p>Installation:</p> 
<p>CS102</p> 			
<p>CS113</p> 		<p>Removal: Disconnect upper connection of clip with a flat-bladed screwdriver, then remove clip while inserting a flat-bladed screwdriver between body panel and clip.</p> 	
<p>C111</p> 			

A
B
C
D
E
F
G
H
EI
J
K
L
M

SIIA0317E

FRONT BUMPER

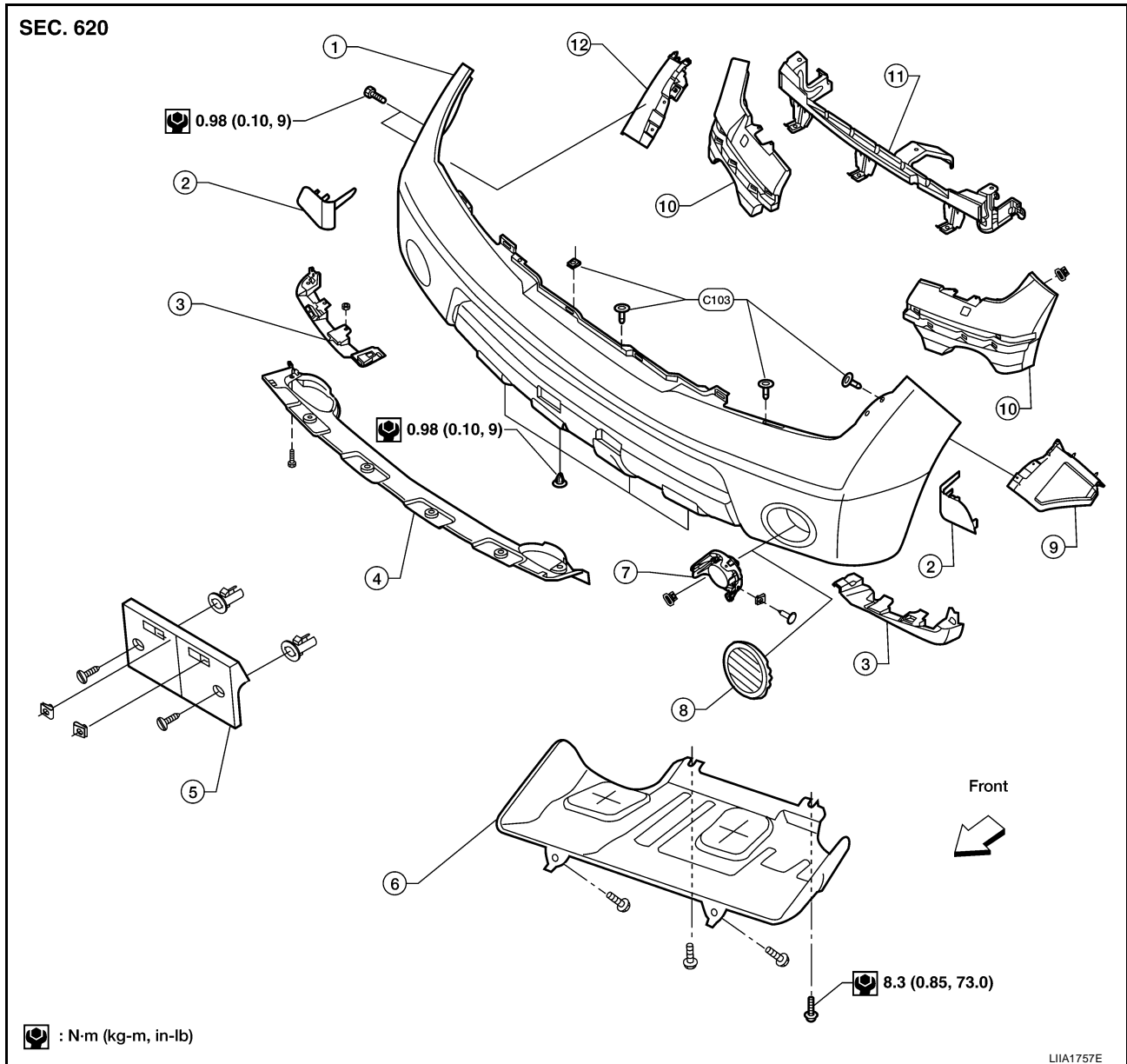
PF2:F2022

EIS007TR

FRONT BUMPER

Removal and Installation

SEC. 620



- | | | |
|--------------------------------------|--------------------------------------------|--------------------------|
| 1. Front bumper assembly | 2. Front bumper stay RH/LH | 3. Front valance RH/LH |
| 4. Front valance center | 5. Front license plate bracket | 6. Engine undercover |
| 7. Fog lamp (if equipped) | 8. Fog lamp opening finisher (if equipped) | 9. Front bumper stay LH |
| 10. Front bumper reinforcement RH/LH | 11. Front bumper bracket | 12. Front bumper stay RH |

REMOVAL

1. Disconnect the negative and positive battery cables, then wait at least 3 minutes.
2. Remove radiator grille. Refer to [EI-16. "FRONT GRILLE"](#).
3. Remove front valance LH, center, then RH.
4. Remove engine undercover.
5. Remove front bumper stays LH and RH.
6. Disconnect fog lamp harnesses, if equipped.
7. Remove front bumper assembly.

INSTALLATION

Installation is in the reverse order of removal.

REAR BUMPER

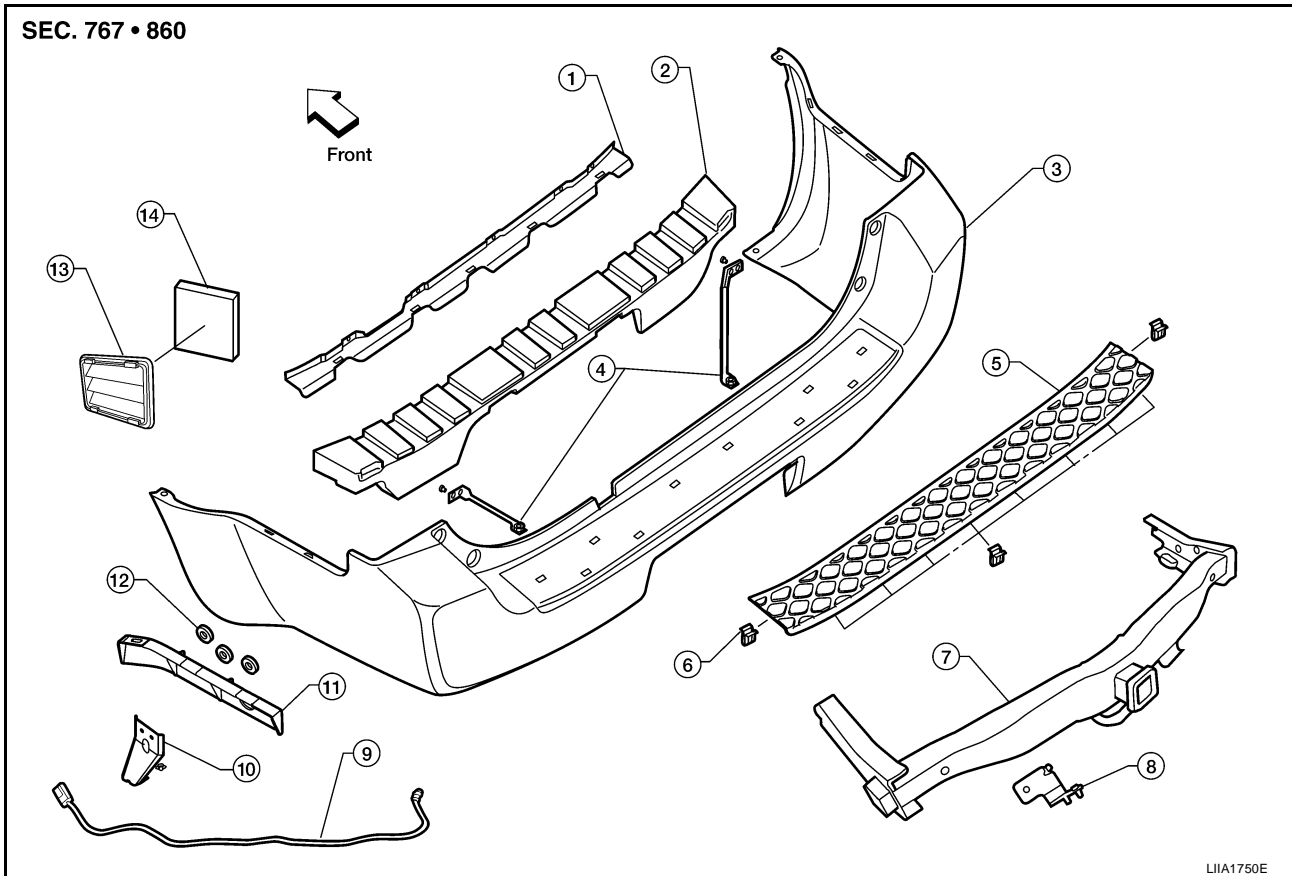
PFP:H5022

REAR BUMPER

Removal and Installation

EIS007TS

SEC. 767 • 860



- | | | |
|----------------------------|------------------------------|-----------------------|
| 1. Rear valance | 2. Rear bumper reinforcement | 3. Rear bumper fascia |
| 4. Rear fascia strut LH/RH | 5. Step pad | 6. Clip |
| 7. Tow hitch | 8. Tow harness bracket | 9. Tow hitch harness |
| 10. Rear fascia lower stay | 11. Pinch rail | 12. Washer |
| 13. Drafter duct | 14. Filter element | |

REMOVAL

1. Remove LH and RH rear fascia struts.
2. Remove rear fascia lower stay bolts.
3. Remove fascia front upper bolts near wheel opening.
4. Release left pinch rail clips and remove LH side of rear bumper fascia from quarter panel.
5. Release right pinch rail clips and remove RH side of rear bumper fascia from quarter panel.
6. Remove fascia rear upper bolts near combination lamp.
7. Remove rear bumper fascia.
8. Disconnect harness on left side of tow hitch.
9. Remove rear bumper reinforcement.
10. Remove drafter duct from lower side of LH quarter panel.

INSTALLATION

Installation is in the reverse order of removal.

- Apply sealant to clips securing upper step pad during installation.

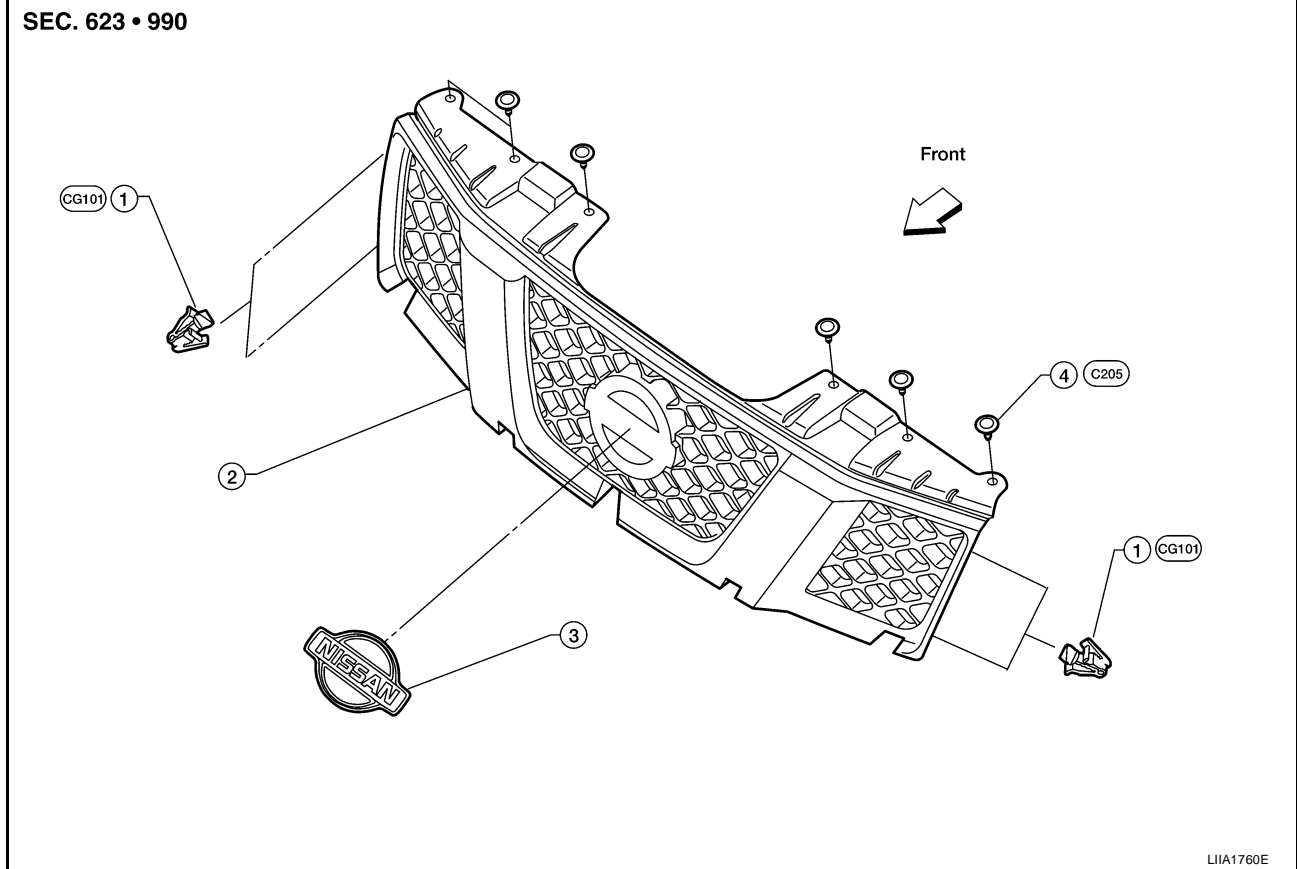
FRONT GRILLE

FRONT GRILLE

PF6:62310

Removal and Installation

EIS007TT



1. Slide clips

2. Front grille

3. Front emblem

4. Clips

REMOVAL

1. Release upper clips from front grille.
2. Twist and release LH and RH side clips and remove front grille from member.

INSTALLATION

Installation is in the reverse order of removal.

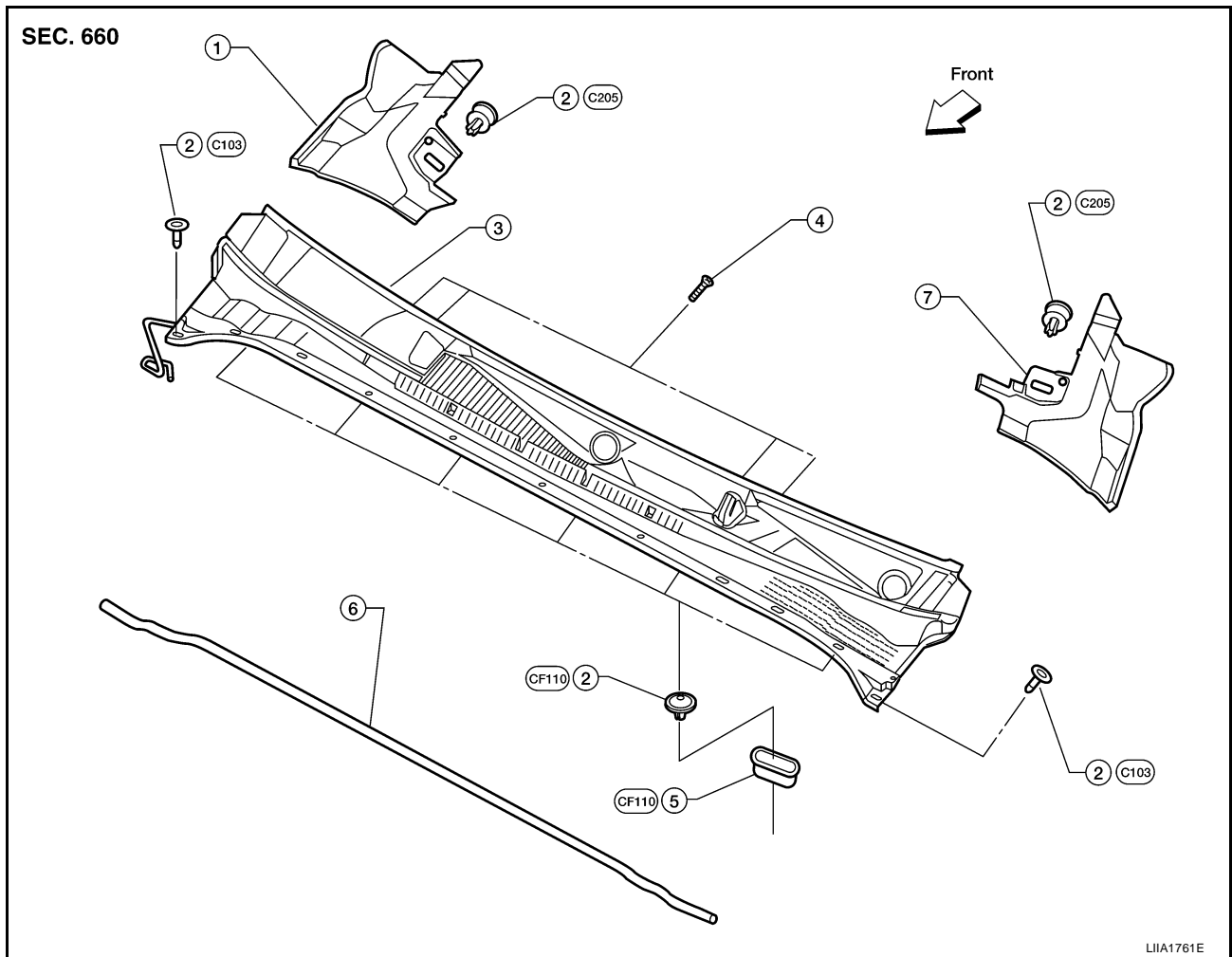
COWL TOP

COWL TOP

PF6:66100

Removal and Installation

EIS007TU



- | | | |
|--------------------------|------------|------------------|
| 1. Cowl top extension RH | 2. Clips | 3. Cowl top |
| 4. Washer nozzle screws | 5. Grommet | 6. Cowl top seal |
| 7. Cowl top extension LH | | |

REMOVAL

1. Remove the front wiper arms. Refer to [WW-23, "FRONT WIPER ARMS"](#).
2. Remove cowl top seal.
3. Release clips and remove LH and RH cowl top extensions.
4. Disconnect washer tubes from washer nozzles.
5. Remove cowl top clips and remove cowl top from the cowl.

INSTALLATION

Installation is in the reverse order of removal.

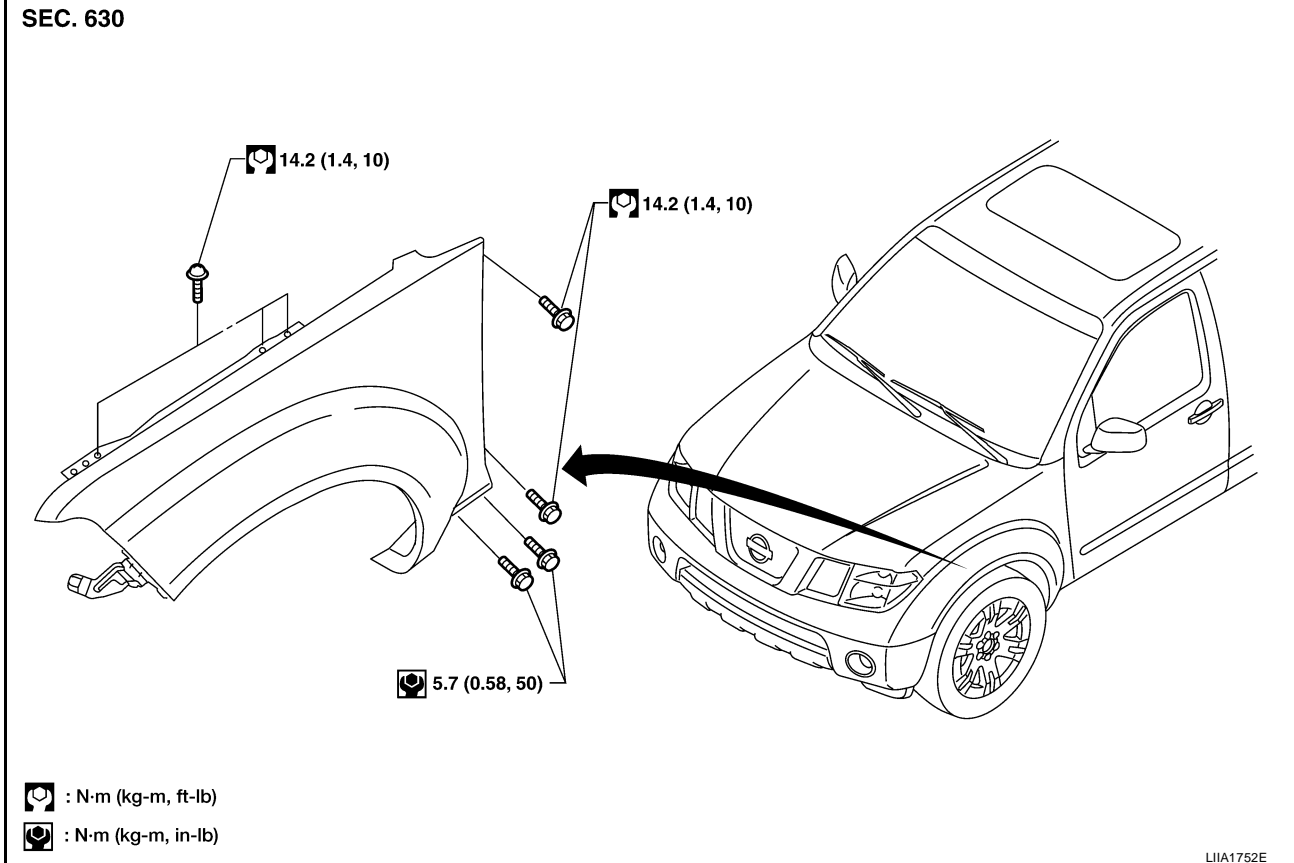
FRONT FENDER

FRONT FENDER

PFP:63100

Removal and Installation

EIS007TV



REMOVAL

1. Remove headlamp assembly. Refer to [LT-25, "Removal and Installation"](#).
2. Remove front fender protector. Refer to [EI-20, "FENDER PROTECTOR"](#).
3. Remove front bumper. Refer to [EI-14, "Removal and Installation"](#).
4. Remove front fender bolts from hoodledge and dash panel.
5. Remove front fender bolts from rocker panel and radiator core support member.
6. Remove front fender.

INSTALLATION

Installation is in the reverse order of removal.

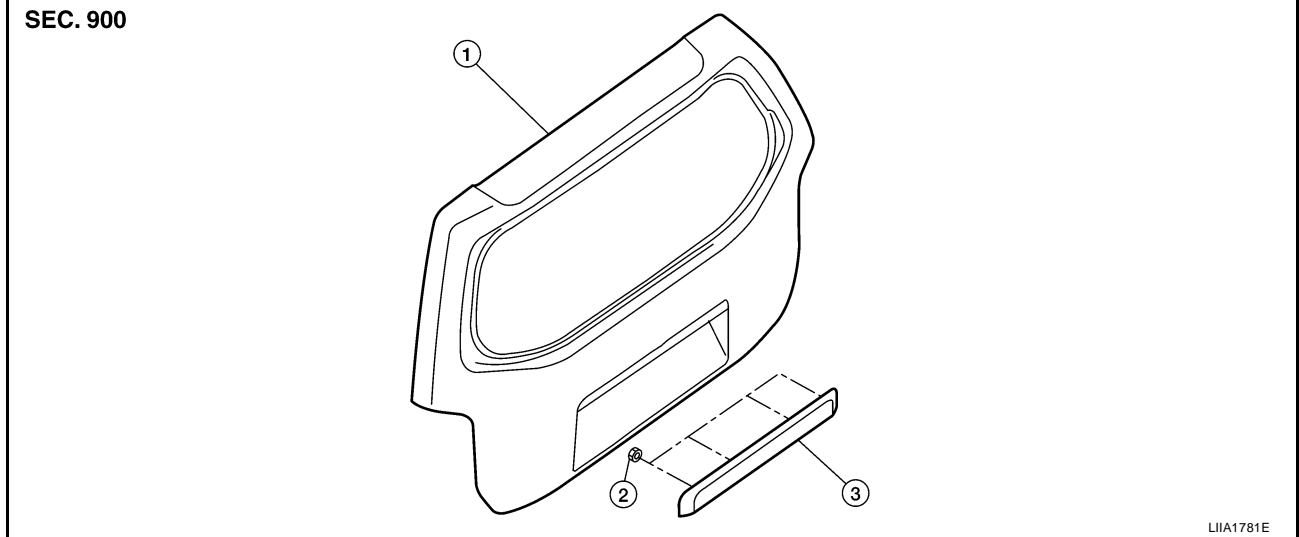
LICENSE LAMP FINISHER

LICENSE LAMP FINISHER

PFP:84810

Removal and Installation

EIS007TW



1. Back door

2. Nut

3. License lamp finisher

REMOVAL

1. Remove back door finisher. Refer to [EI-36, "BACK DOOR TRIM"](#).
2. Remove nuts and license lamp finisher.

INSTALLATION

Installation is in the reverse order of removal.

A
B
C
D
E
F
G
H
I
J
K
L
M

EI

FENDER PROTECTOR

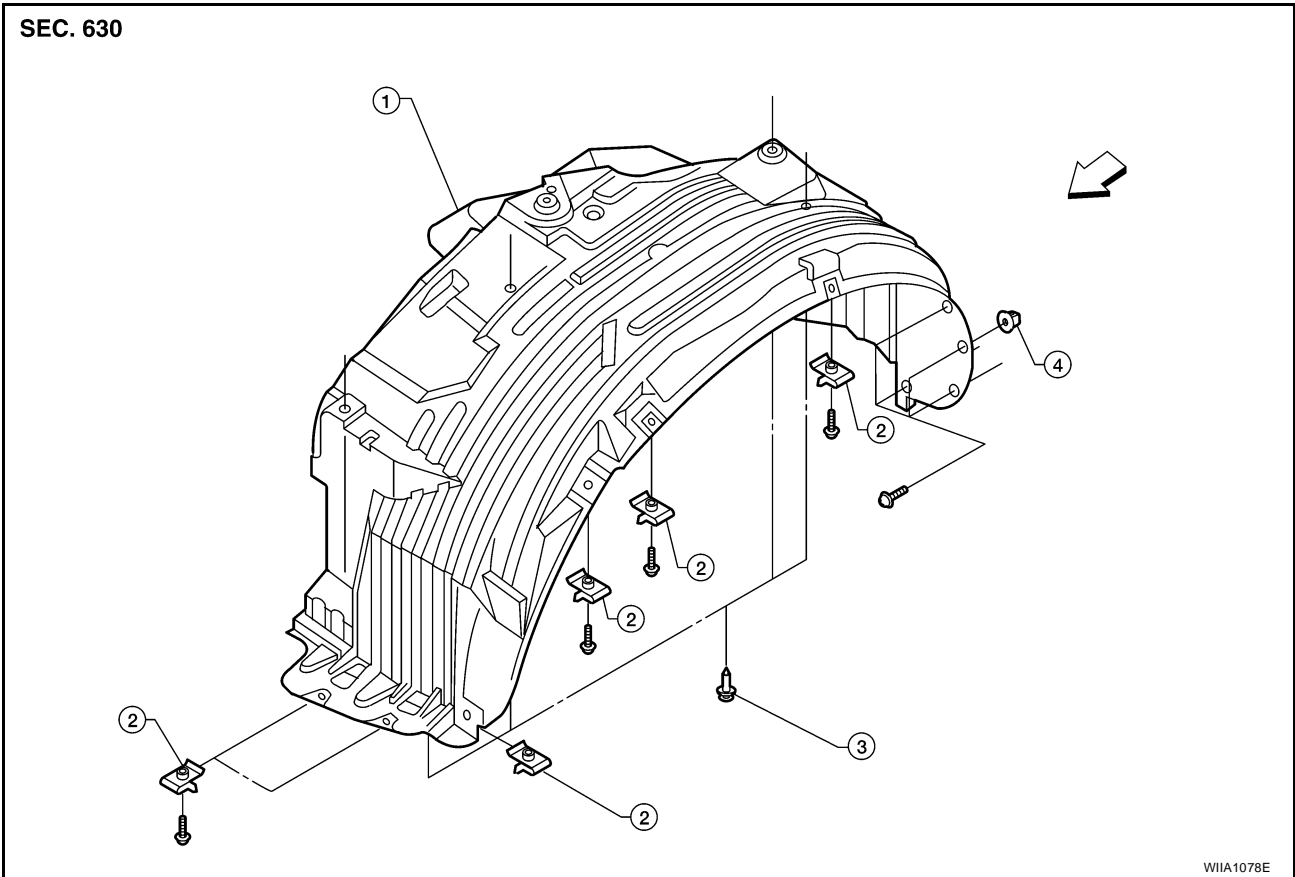
FENDER PROTECTOR

PFP:63840

Components

EIS007TX

Front Fender Protector



1. Fender protector LH

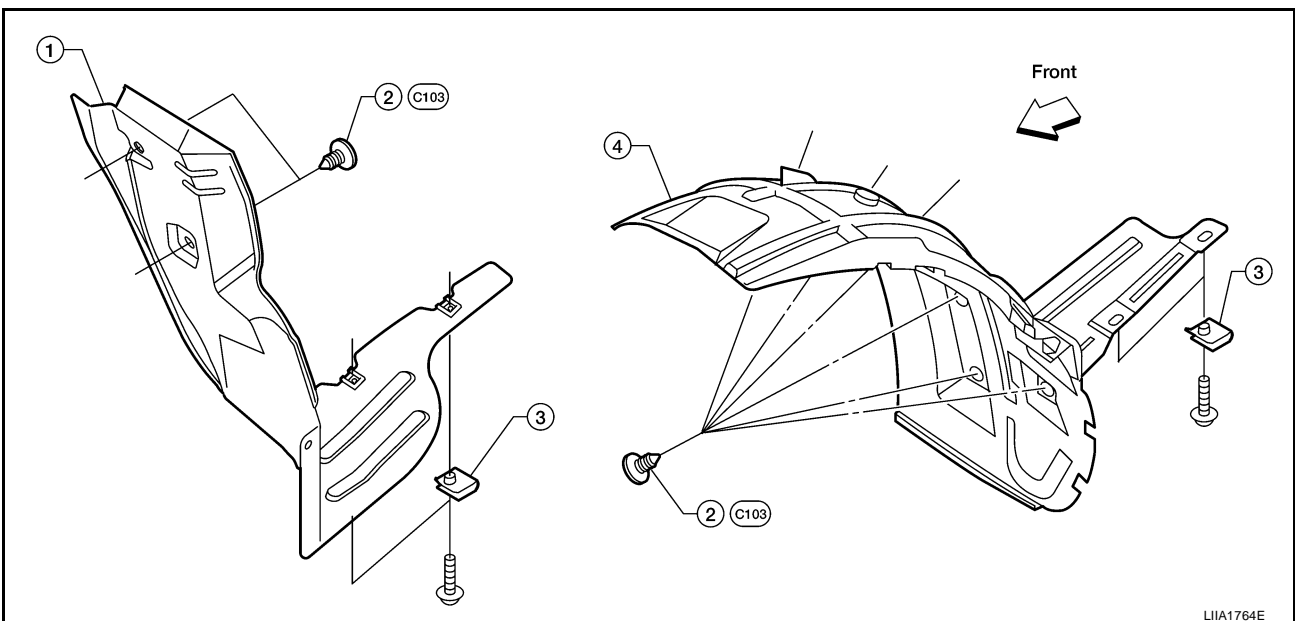
2. Nut

3. Clip C205

4. Grommet

← Vehicle front

Rear Fender Protector



1. Fender protector RH

2. Clips

3. Nuts

4. Fender protector LH

FENDER PROTECTOR

Removal and Installation of Front Fender Protector

EIS007TY

REMOVAL

1. Remove screws.
2. Remove plastic clips.
3. Remove pushpins.
4. Remove front fender protector.

INSTALLATION

Installation is in the reverse order of removal.

Removal and Installation of Rear Fender Protector

EIS007TZ

REMOVAL

1. Remove screws.
2. Remove plastic clips.
3. Remove pushpins.
4. Remove rear fender protector.

INSTALLATION

Installation is in the reverse order of removal.

A

B

C

D

E

F

G

H

EI

J

K

L

M

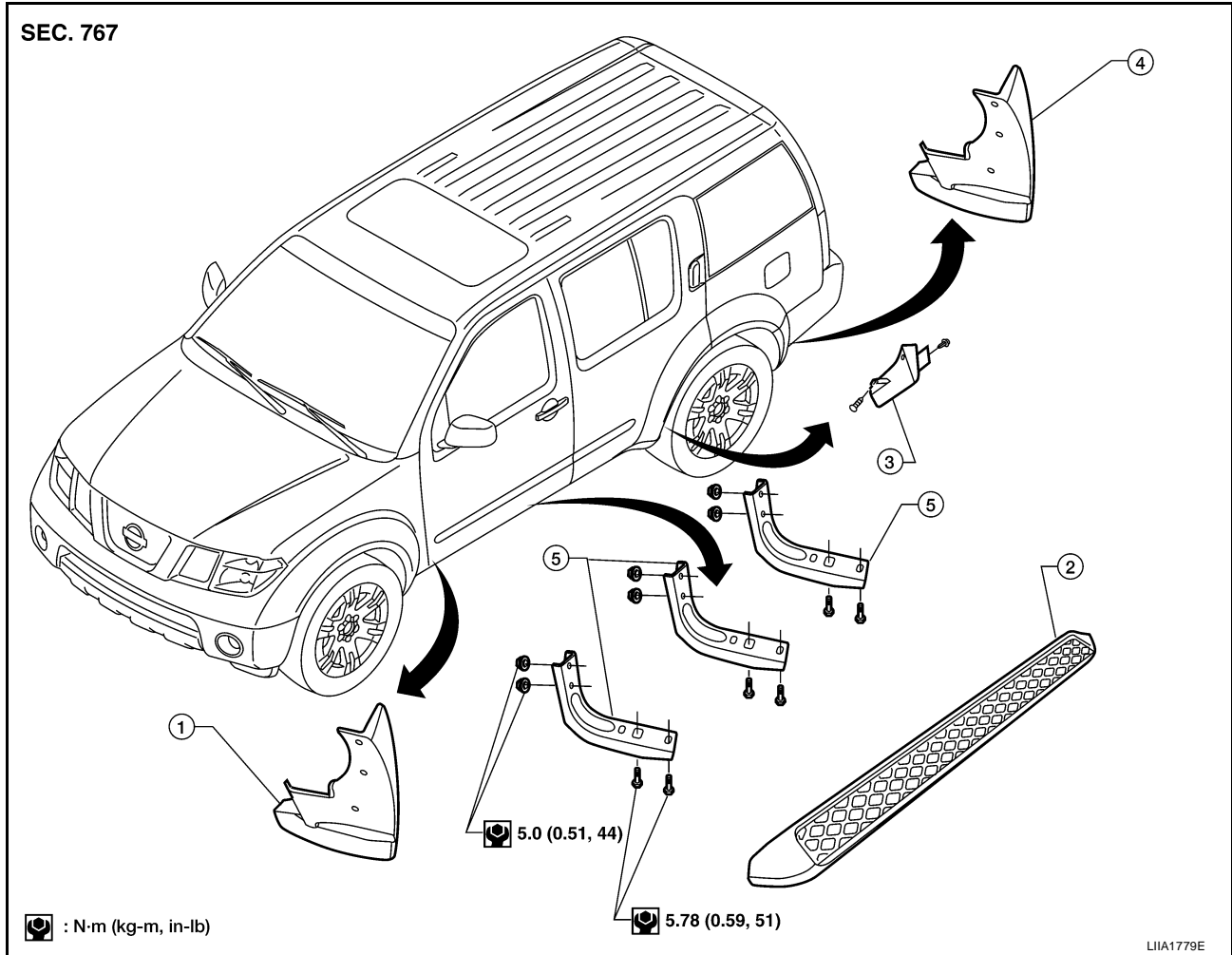
RUNNING BOARDS

RUNNING BOARDS

PF9:96110

Removal and Installation

EIS007U0



1. Front mud flap (if equipped)
2. Running board
3. Rear wheel wind deflector
4. Rear mud flap (if equipped)
5. Running board bracket

REMOVAL

1. Remove mud flaps (if equipped).
2. Remove bolts and remove running board from running board brackets.
3. Remove nuts and remove running board brackets from chassis.
4. Remove screw and clip and remove wind deflector.

INSTALLATION

Installation is in the reverse order of removal.

ROOF RACK

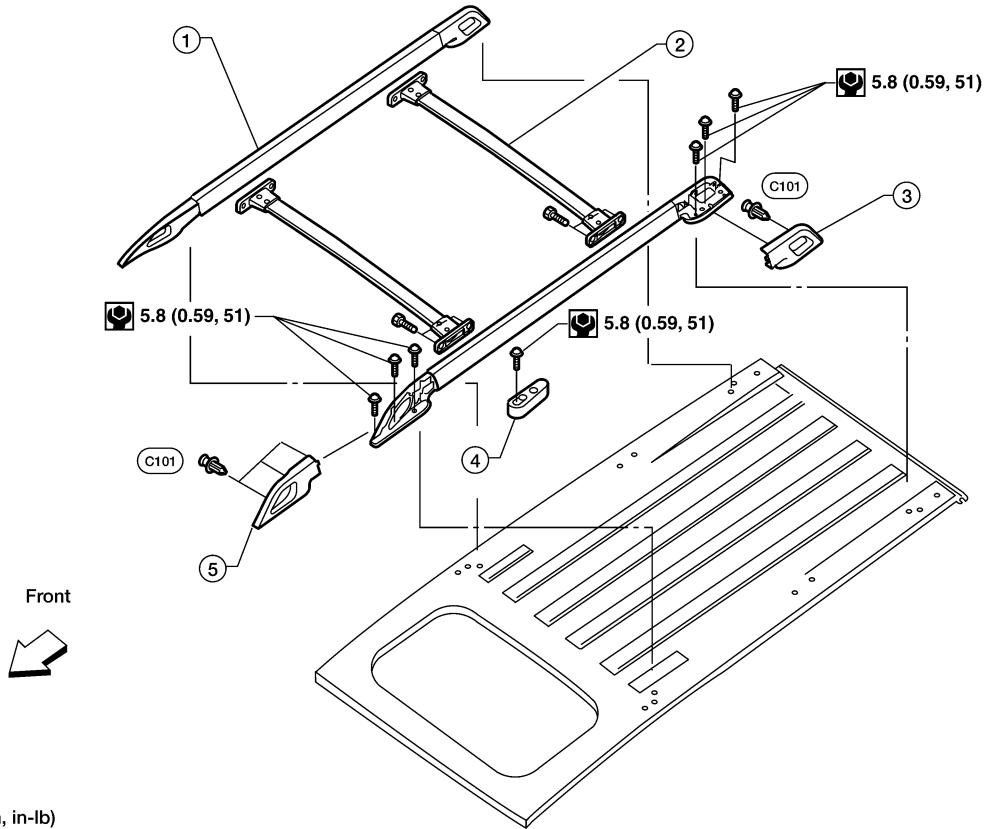
ROOF RACK

PFP:73155

Removal and Installation

EIS007U1

SEC. 730



- | | | |
|---------------------|---------------------------|--------------------------|
| 1. Slide rail | 2. Sliding crossbar | 3. Slide rail cover rear |
| 4. Center stanchion | 5. Slide rail cover front | |

REMOVAL

1. Pry outward releasing the clips and remove the slide rail cover front LH and RH.
2. Pry outward releasing the clips and remove the slide rail cover rear LH and RH.
3. Remove the bolts and remove front and rear sliding crossbars from slide rails.
4. Remove the bolts from the slide rails LH and RH.
5. Shift the slide rails forward to disengage from center stanchion and remove from roof.
6. Remove the bolts and remove center stanchions LH and RH from roof.

INSTALLATION

Installation is in the reverse order of removal.

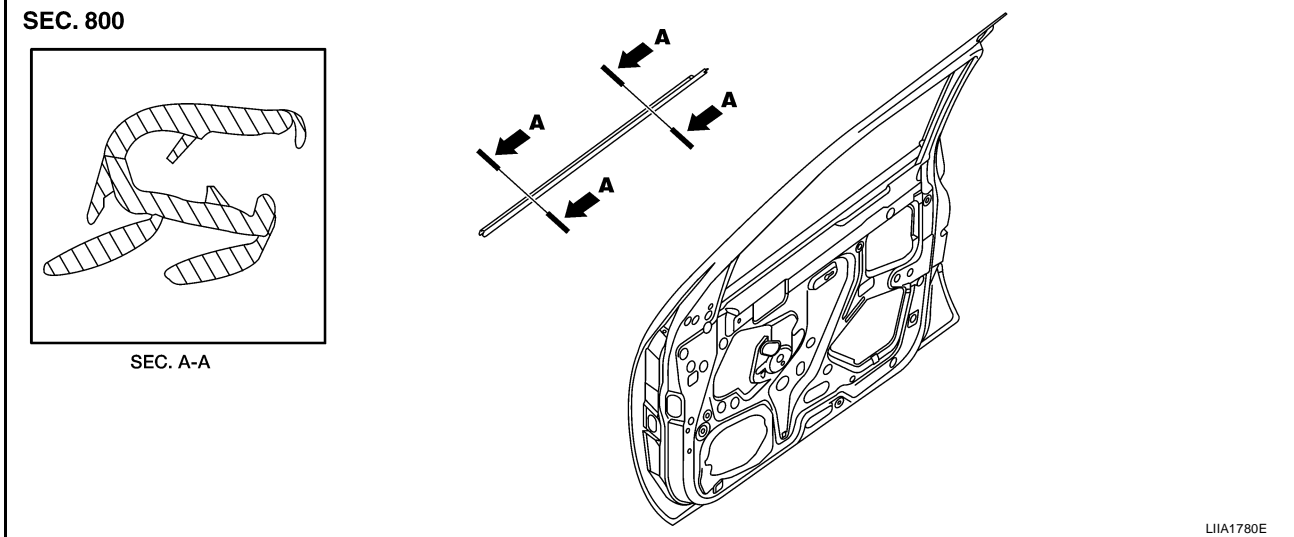
DOOR OUTSIDE MOLDING

DOOR OUTSIDE MOLDING

PFP:82820

Removal and Installation

EIS007U2



FRONT DOOR OUTSIDE MOLDING

Removal

1. Open the window fully.
2. Remove the door mirror. Refer to [GW-92, "Door Mirror Assembly"](#).
3. Lift molding from the front side off of flange.
4. Remove the front door outside molding.

Installation

Installation is in the reverse order of removal.

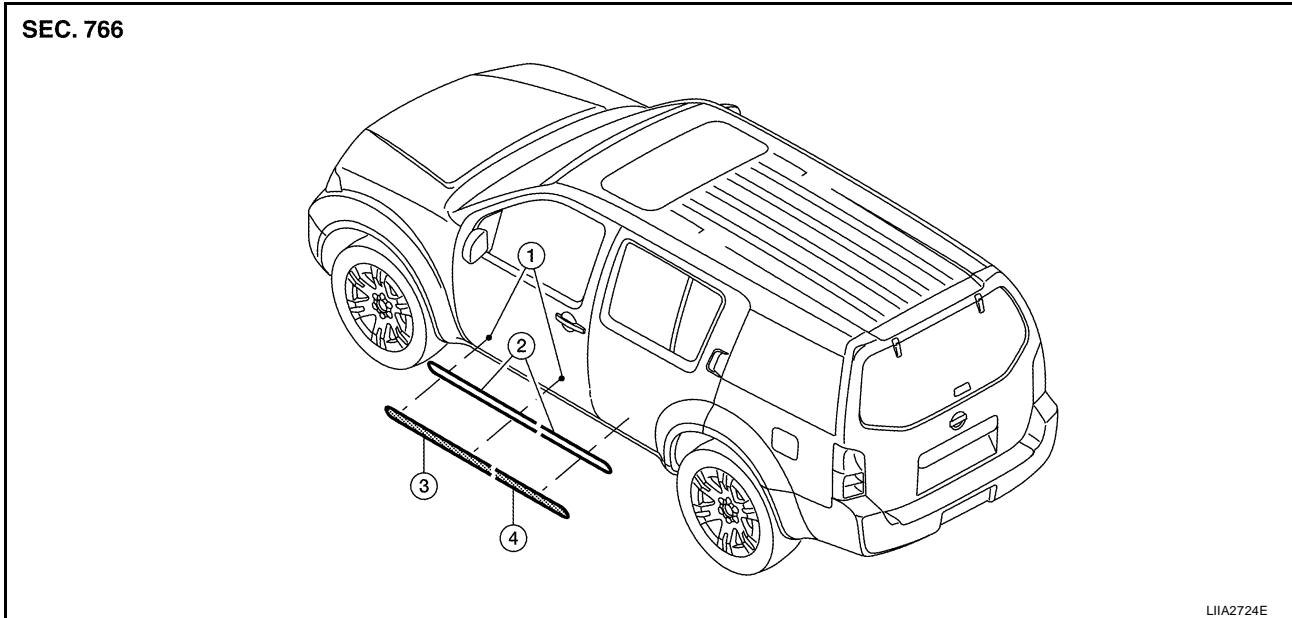
SIDE GUARD MOLDING

PFP:76840

SIDE GUARD MOLDING

Removal and Installation

EIS00A05



1. Alignment hole
2. Double-faced adhesive tape
3. Front door side guard molding
4. Rear door side guard molding

REMOVAL

CAUTION:

Never apply tack-paper adhesive remover to body panel surface finished with lacquer-based paints.

- Original side guard molding is affixed to body panel with double-faced adhesive tape.
1. Heat molding to between 30° and 40°C (86° to 104°F) with a heat gun.
 2. Raise end of molding to release clips, then cut away tape to remove molding. Remove all traces of tape.

INSTALLATION

- On vehicles coated with Hard Clear Coat, use double-faced 3M adhesive tape Product No. 4210 or equivalent, after priming with 3M primer Product No. N200 or C-100 or equivalent.
 - The repair parts are also affixed with double-faced adhesive tape.
 - To re-use existing molding, clean all traces of double-faced adhesive tape from the molding and apply new double-faced adhesive tape to the molding.
1. Clean the panel surface with isopropyl alcohol or equivalent to degrease the surface.
 2. Heat the panel and molding tape surface to 30° to 40°C (86° to 104°F).
 3. Apply the side guard molding.
 - Remove the backing sheet from the tape surface.
 - Align the locating pin into the hole in the outer door.
 - Continue aligning the pins into their corresponding holes in the outer door during installation.
 4. Press ends by hand and use a roller to apply 5 kg-f (11 lbs-f) to press molding to door surface.
 - Apply even pressure along molding to insure proper wet out.

CAUTION:

To secure contact, do not wash vehicle for 24 hours after installation.

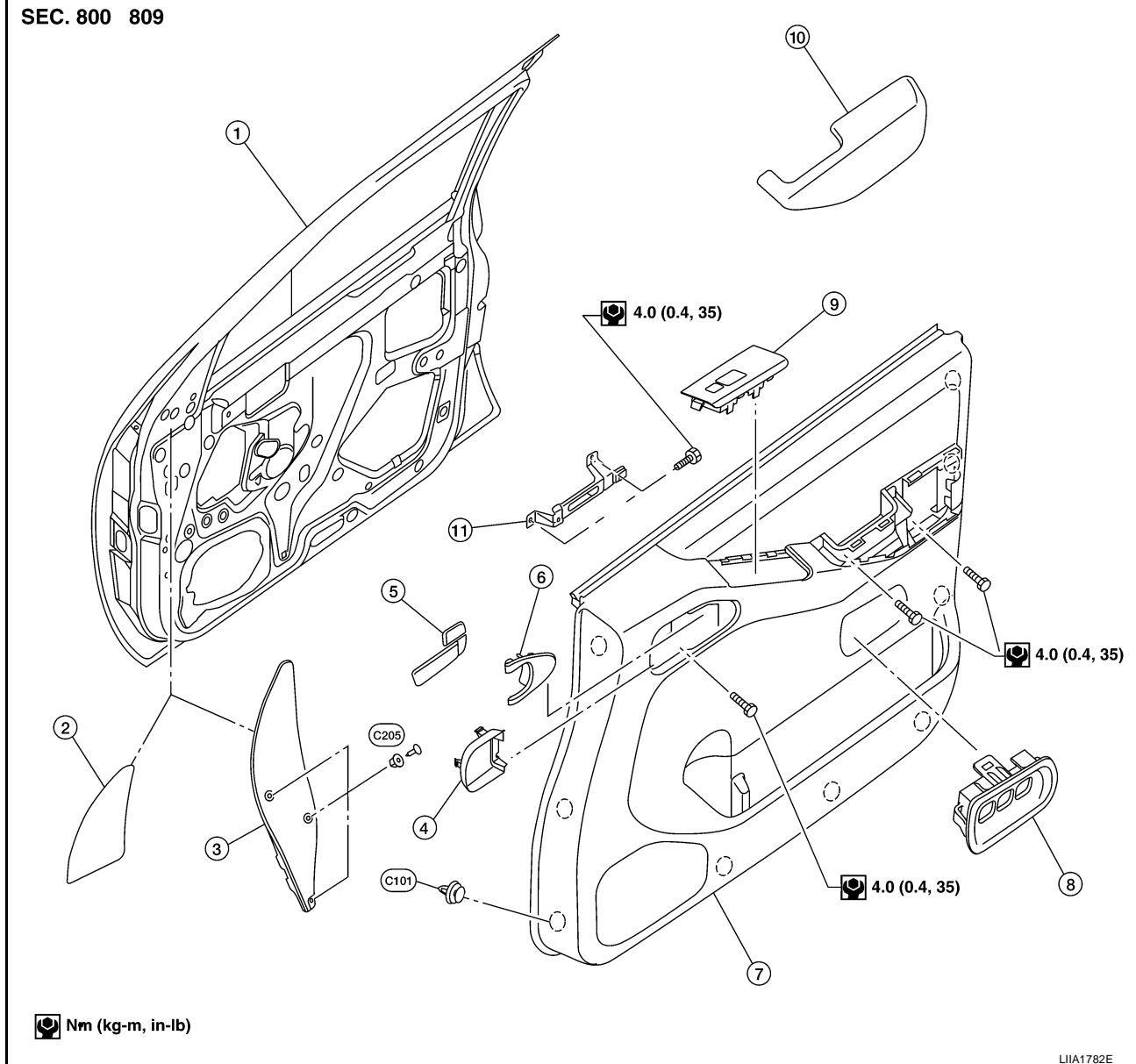
DOOR FINISHER

DOOR FINISHER

PFP:80900

Removal and Installation FRONT DOOR

EIS007U3



- | | | |
|-----------------------------------|-------------------------------------|--------------------------------------|
| 1. Front door | 2. Mirror bolt cover LH | 3. Mirror bolt cover RH |
| 4. Pull handle escutcheon | 5. Pull handle/lock lever assembly | 6. Pull handle cover |
| 7. Front door finisher (RH shown) | 8. Seat memory switch (if equipped) | 9. Power window/lock switch assembly |
| 10. Armrest | 11. Front door handle bracket | |

Removal

1. Remove power window switch assembly.
 - Disconnect harness connectors.
2. Remove pull handle escutcheon.
3. Remove pull handle cover and remove screw.
4. Lift armrest upward to release clips and remove armrest.
 - Remove screws behind armrest.
5. Remove memory seat switch (if equipped).
 - Disconnect harness connector.

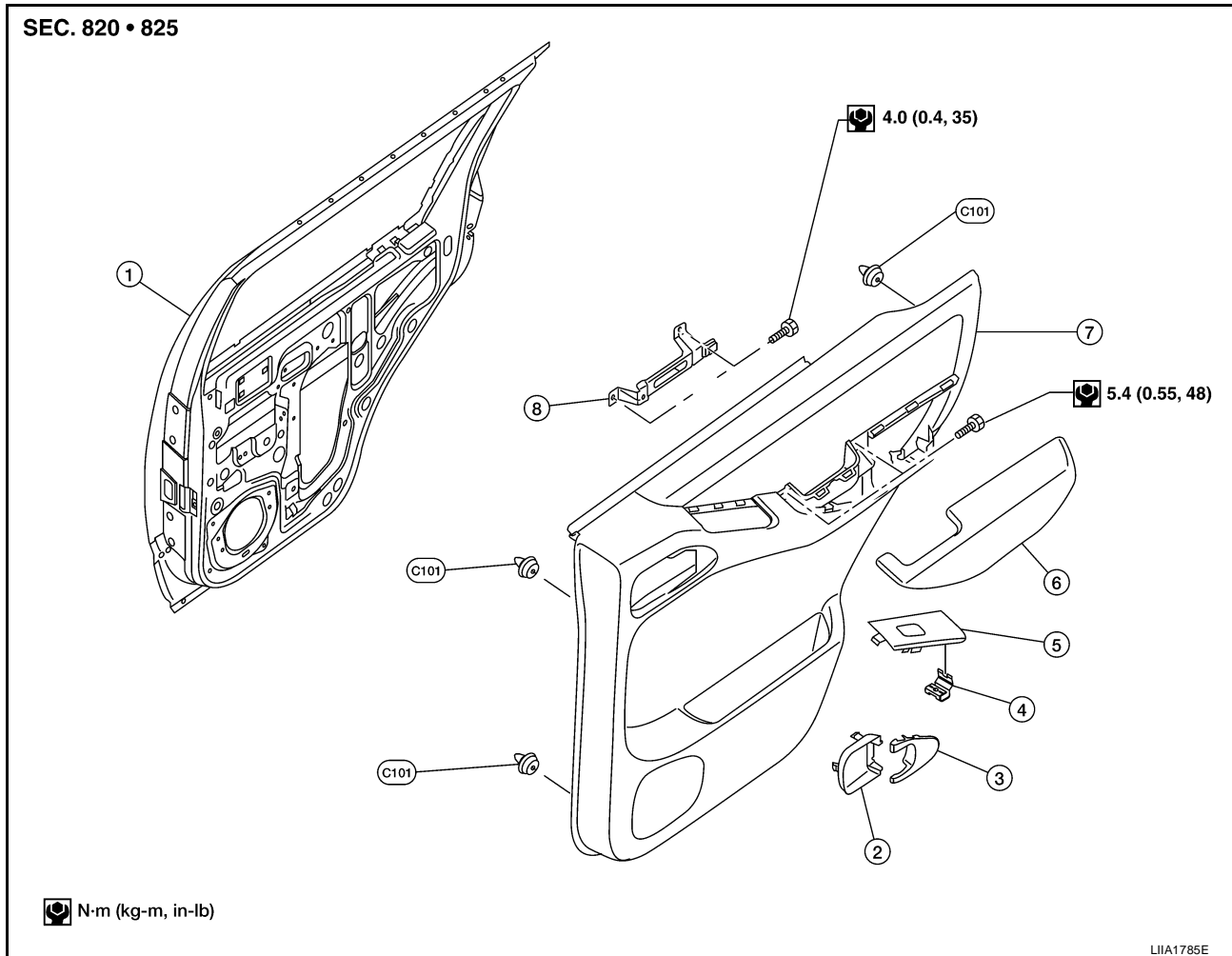
DOOR FINISHER

6. Release clips and remove door finisher.
 - Disconnect lock cable and handle cable from door handle assembly. Refer to [BL-89, "FRONT DOOR LOCK"](#).
7. Remove pull handle/lock lever assembly.

Installation

Installation is in the reverse order of removal.

REAR DOOR



- | | | |
|-----------------------|---------------------------------|----------------------|
| 1. Rear door | 2. Pull handle escutcheon | 3. Pull handle cover |
| 4. Metal clip | 5. Power window switch assembly | 6. Armrest |
| 7. Rear door finisher | 8. Rear door handle bracket | |

Removal

1. Remove power window switch assembly.
 - Disconnect harness connector.
2. Remove pull handle cover.
 - Remove screw behind pull handle cover.
3. Remove pull handle escutcheon.
4. Lift upward to release clips and remove armrest.
 - Remove screws behind armrest.
5. Release the clips and remove rear door finisher.
 - Disconnect the rear door tweeter.

Installation

Installation is in the reverse order of removal.

BODY SIDE TRIM

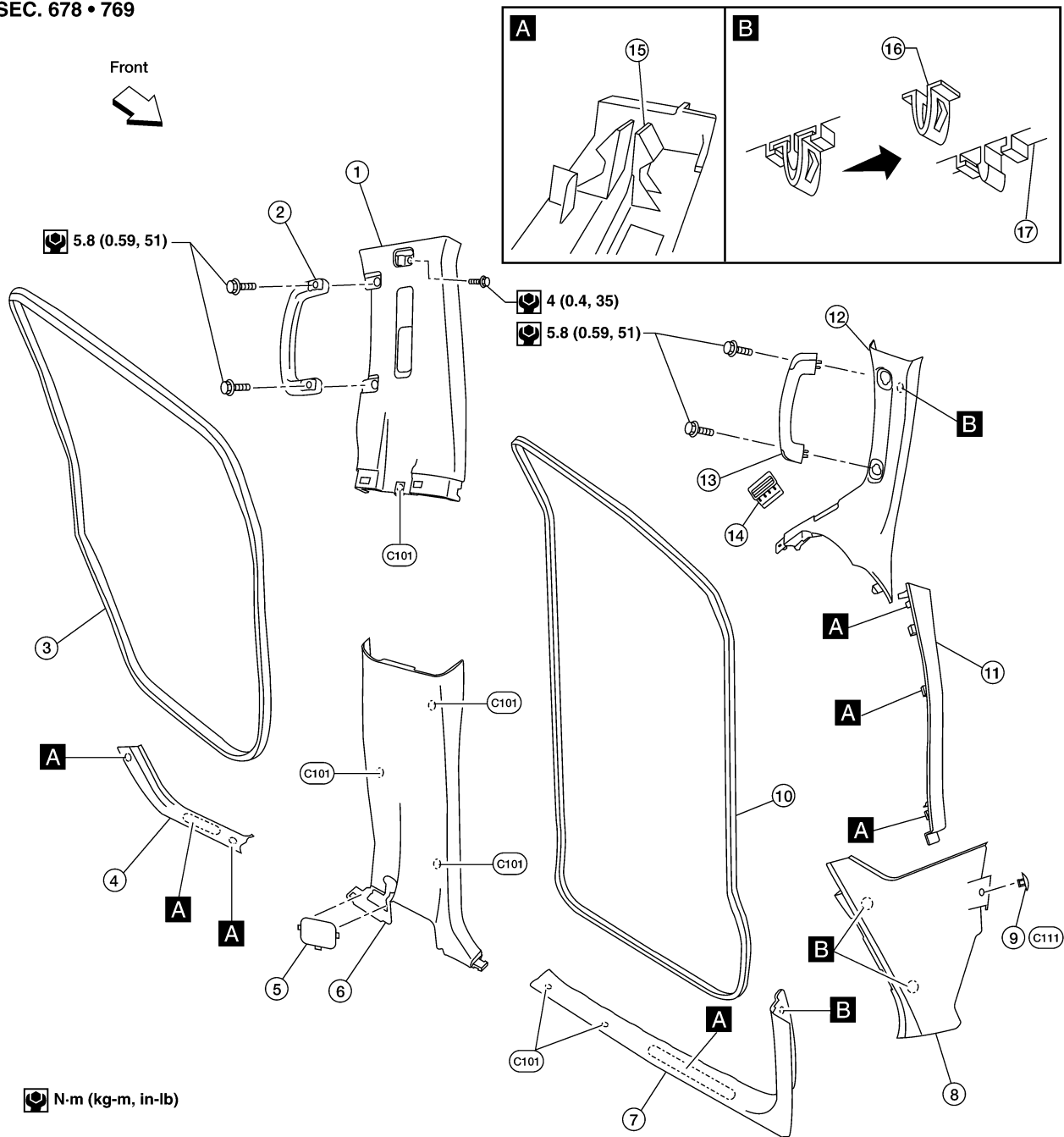
BODY SIDE TRIM

PFP:76913

Components

EIS007U4

SEC. 678 • 769



N-m (kg-m, in-lb)

- | | | |
|---------------------------------|---------------------------------------|---------------------------------|
| 1. Center pillar upper finisher | 2. Center pillar assist grip | 3. Rear door welt |
| 4. Rear kick plate | 5. Access cover (Passenger side only) | 6. Center pillar lower finisher |
| 7. Front kick plate | 8. Lower dash side finisher | 9. Clip |
| 10. Front door welt | 11. Front pillar lower finisher | 12. Front pillar upper finisher |
| 13. Front pillar assist grip | 14. RH side demister grille | 15. Molded plastic clip |
| 16. Metal clip | 17. Garnish | |

LIA1786E

CAUTION:

- Wrap the tip of flat-bladed screwdriver with a cloth when removing metal clips from finishers.
- When removing or installing body side welts, do not allow butyl seal to come in contact with pillar finisher.

BODY SIDE TRIM

EIS007U5

Removal and installation LOWER DASH SIDE FINISHER

Removal

1. Remove push pin from lower dash side finisher.
2. Remove front kick plate from center pillar lower finisher.
3. Remove lower dash side finisher and front kick plate together.
4. Remove lower dash side finisher from front kick plate.

Installation

Installation is in the reverse order of removal.

CENTER PILLAR LOWER FINISHER

Removal

1. Remove seat belt anchor. Refer to [SB-3, "Removal and Installation of Front Seat Belt"](#) .
 - On RH side, disconnect seat belt tension sensor.
2. Remove front and rear kick plates. Refer to [EI-29, "KICK PLATES"](#) .
3. Remove center pillar lower finisher.

Installation

Installation is in the reverse order of removal.

CENTER PILLAR UPPER FINISHER

Removal

1. Remove front and rear door welts.
2. Remove seat belt shoulder anchor and D-ring. Refer to [SB-3, "Removal and Installation of Front Seat Belt"](#) .
3. Remove front and rear kick plates. Refer to [EI-29, "KICK PLATES"](#) .
4. Remove center pillar lower finisher.
5. Remove assist grip.
6. Remove center pillar upper finisher.

Installation

Installation is in the reverse order of removal.

FRONT PILLAR UPPER FINISHER

Removal

1. Remove the front pillar assist grip.
2. Remove the front pillar upper finisher bolt.
3. Remove the front pillar upper finisher.

Installation

Installation is in the reverse order of removal.

FRONT PILLAR LOWER FINISHER

Removal

1. Remove the lower dash side finisher. Refer to [EI-29, "LOWER DASH SIDE FINISHER"](#) .
2. Remove the front pillar lower finisher.

Installation

Installation is in the reverse order of removal.

KICK PLATES

Removal

Release clips and remove front and/or rear kick plates.

Installation

Installation is in the reverse order of removal.

A

B

C

D

E

F

G

H

EI

J

K

L

M

FLOOR TRIM

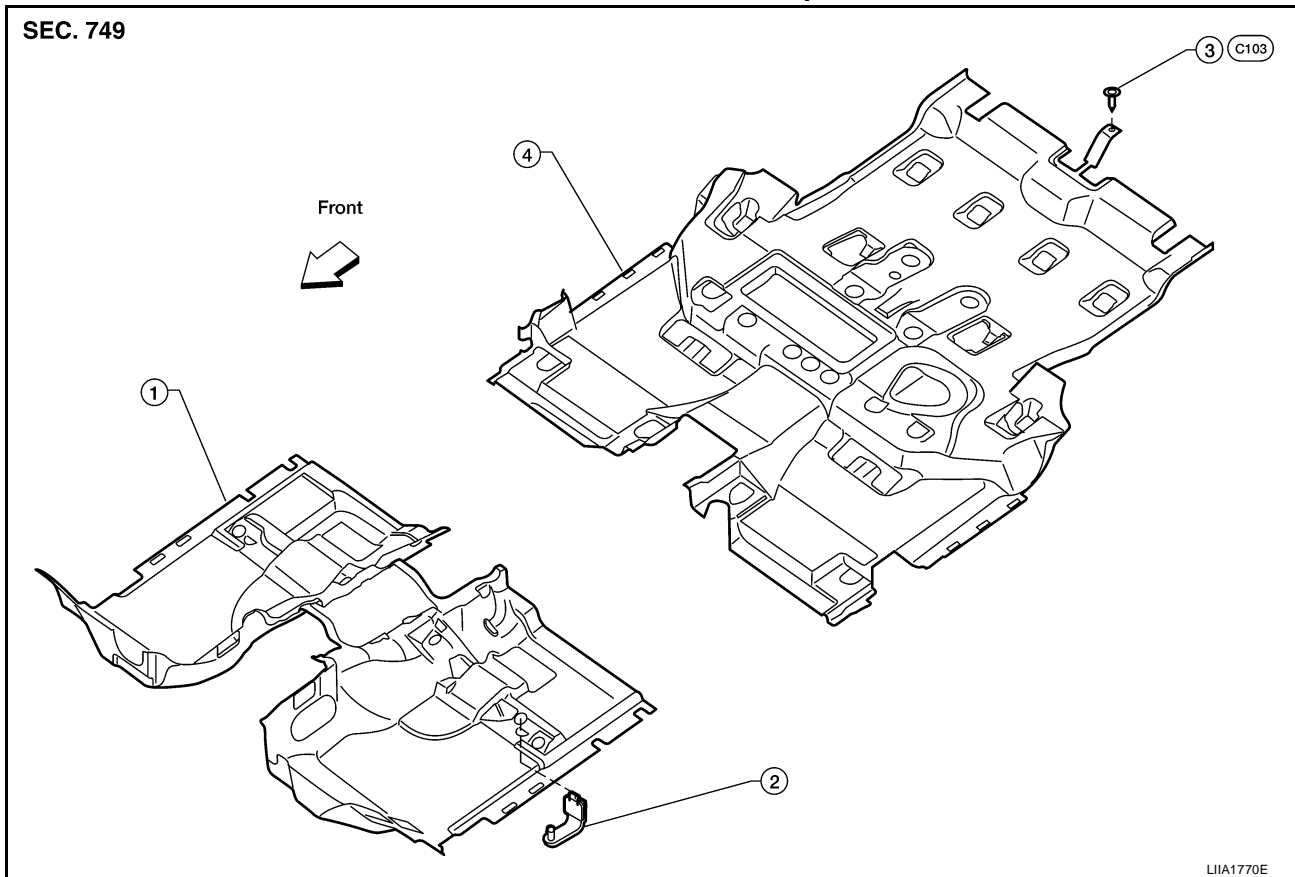
FLOOR TRIM

PFP:74902

Removal and Installation

EIS007U6

Front and Rear Floor Carpet



- 1. Front carpet
- 4. Rear carpet

- 2. Floor mat hook

- 3. Clip

REMOVAL

Front Carpet

1. Remove front seats. Refer to [SE-84, "FRONT SEAT"](#) .
2. Remove lower seat belt anchors. Refer to [SB-3, "SEAT BELTS"](#) .
3. Remove lower body side trim panels. Refer to [EI-28, "BODY SIDE TRIM"](#) .
4. Remove center console. Refer to [IP-16, "CENTER CONSOLE"](#) .
5. Remove floor mat hook from front carpet.
6. Remove front carpet.

Rear Carpet

1. Remove 3rd row seats. Refer to [SE-95, "Third Row"](#) .
2. Remove luggage side lower finisher RH and LH. Refer to [EI-35, "Removal and Installation"](#) .
3. Remove flipper doors and floor tray. Refer to [EI-35, "Removal and Installation"](#) .
4. Remove the bolts and the storage box. Refer to [EI-35, "Removal and Installation"](#) .
5. Remove the rear carpet.

INSTALLATION

Installation is in the reverse order of removal.

HEADLINING

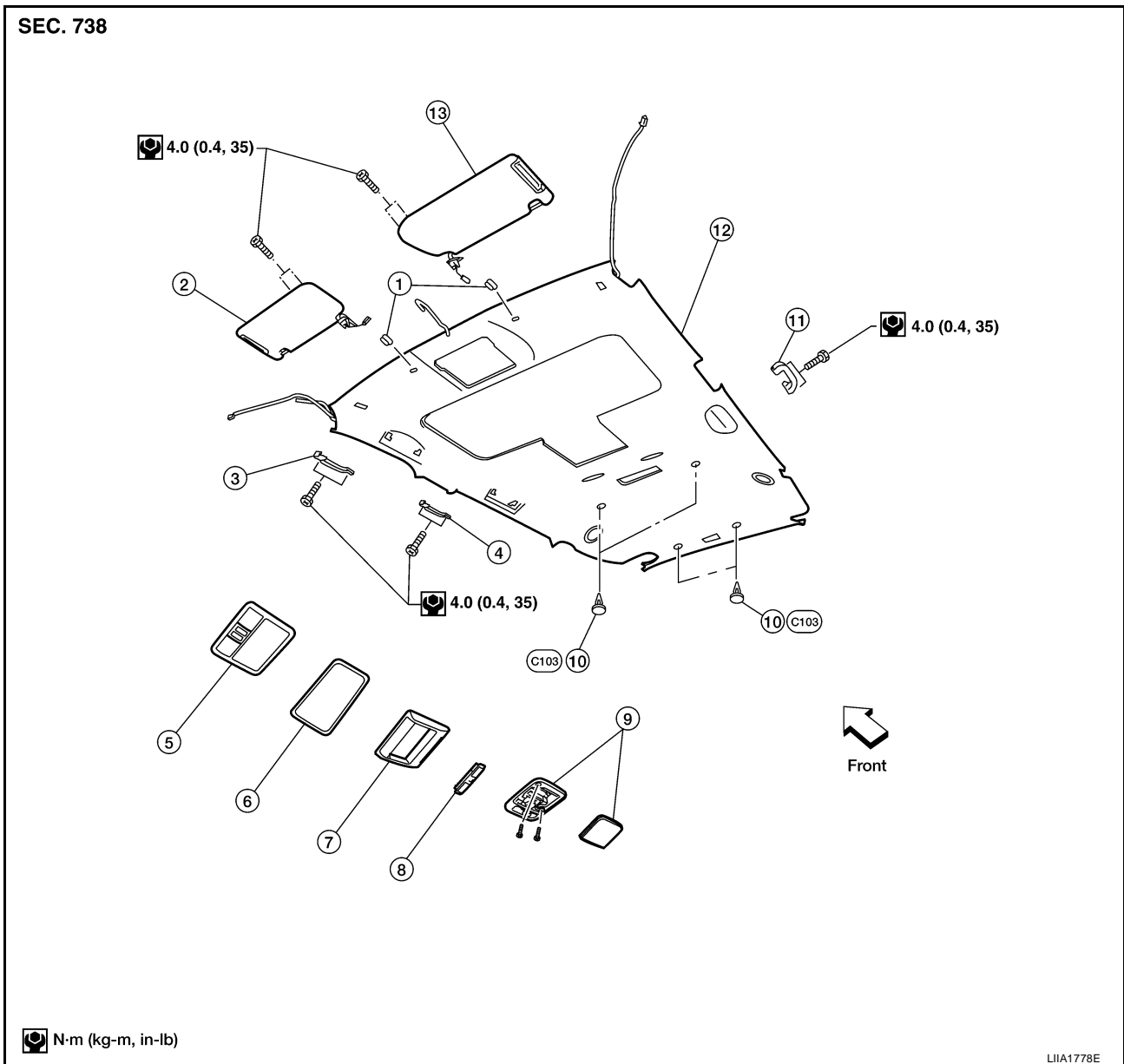
PF7:73910

EIS007U7

HEADLINING

Removal and Installation

SEC. 738



- | | | |
|---------------------------------------------|----------------------------------------------------------------------|-------------------------------|
| 1. Sun visor holder LH/RH | 2. Sun visor assembly RH | 3. Front assist grip RH |
| 4. Rear assist grip LH | 5. Front roof console with front room lamp assembly and sunglass bin | 6. Sunroof welt (if equipped) |
| 7. DVD video monitor finisher (if equipped) | 8. Center room lamp assembly | 9. Rear room lamp assembly |
| 10. Clip | 11. Rear assist grip LH | 12. Headlining |
| 13. Sun visor assembly LH | | |

REMOVAL

CAUTION:

Disconnect both the negative and positive battery terminals in advance.

1. Disconnect the negative and positive battery terminals, then wait at least 3 minutes.
2. Remove body side trim panels. Refer to [EI-28, "BODY SIDE TRIM"](#).
3. Remove luggage floor trim upper panels. Refer to [EI-33, "LUGGAGE FLOOR TRIM"](#).
4. Remove sun visor assemblies, both LH and RH.
5. Remove sun visor holders LH and RH.

HEADLINING

6. Remove sunroof welt (if equipped).
7. Remove DVD video monitor assembly (if equipped). Refer to [AV-77, "VIDEO MONITOR"](#) .
 - Disconnect harnesses.
8. Remove assist grips.
9. Remove the screws and the front roof console.
 - Disconnect harness.
10. Remove the center room and rear room lamp assemblies.
11. Remove rear upper overhead duct (if equipped). Refer to [ATC-156, "REAR OVERHEAD DUCTS"](#) .
12. Remove headlining.

NOTE:

Use an assistant to steady the headlining while lowering from roof.

- Remove clips from center of headlining.
 - Remove clips from rear of headlining.
 - Disconnect rear washer tube at front connection, allow to drain.
 - Disconnect harnesses and rear washer tube rear connections.
13. Remove assist grip brackets from roof.

INSTALLATION

Installation is in the reverse order of removal.

LUGGAGE FLOOR TRIM

PF:84999

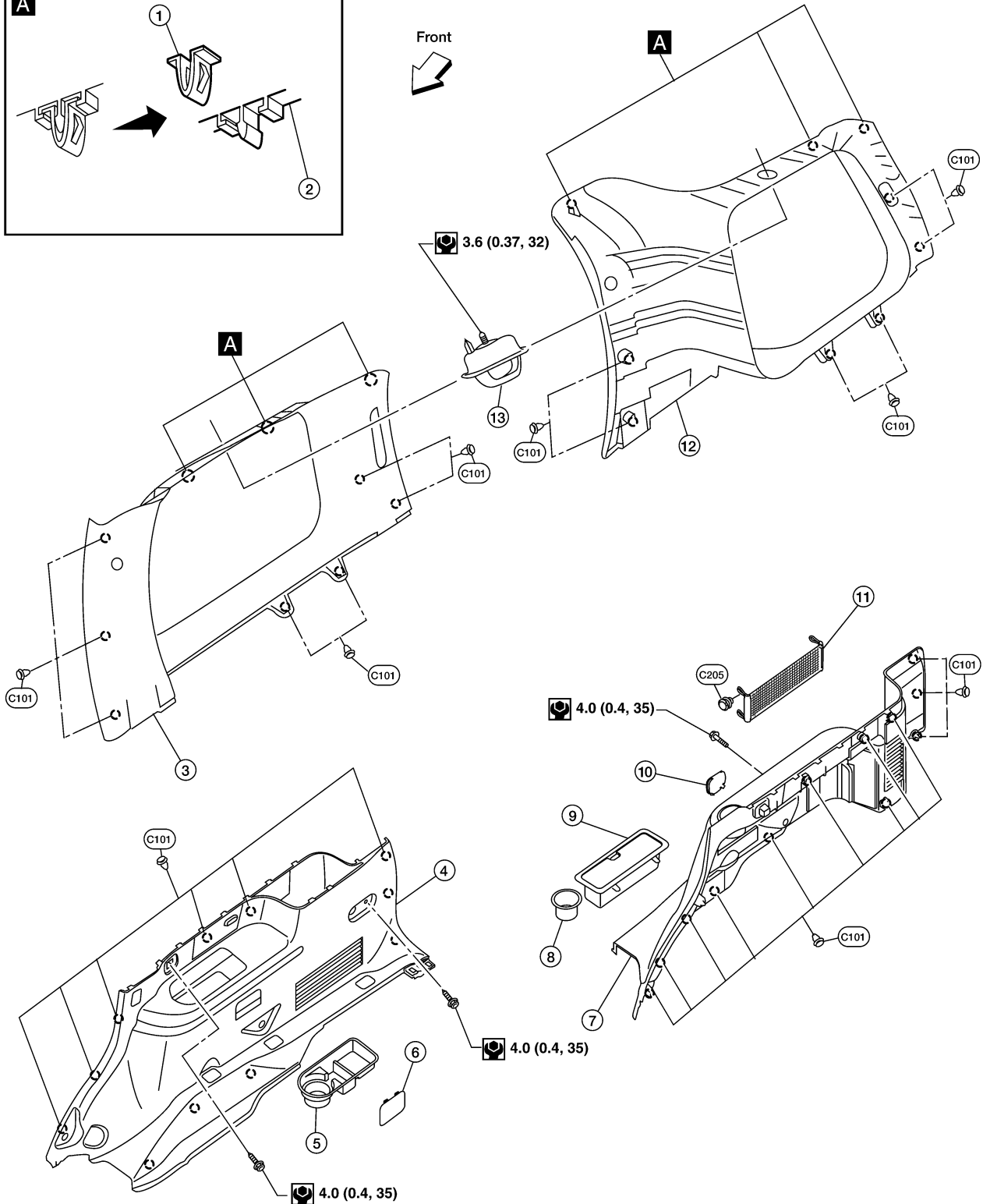
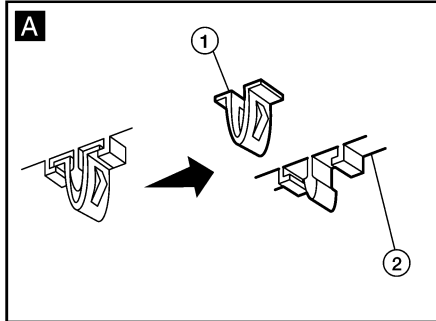
EIS007U8

LUGGAGE FLOOR TRIM

Components

Luggage Trim - Side

SEC. 850



N-m (kg-m, in-lb)

LIA1783E

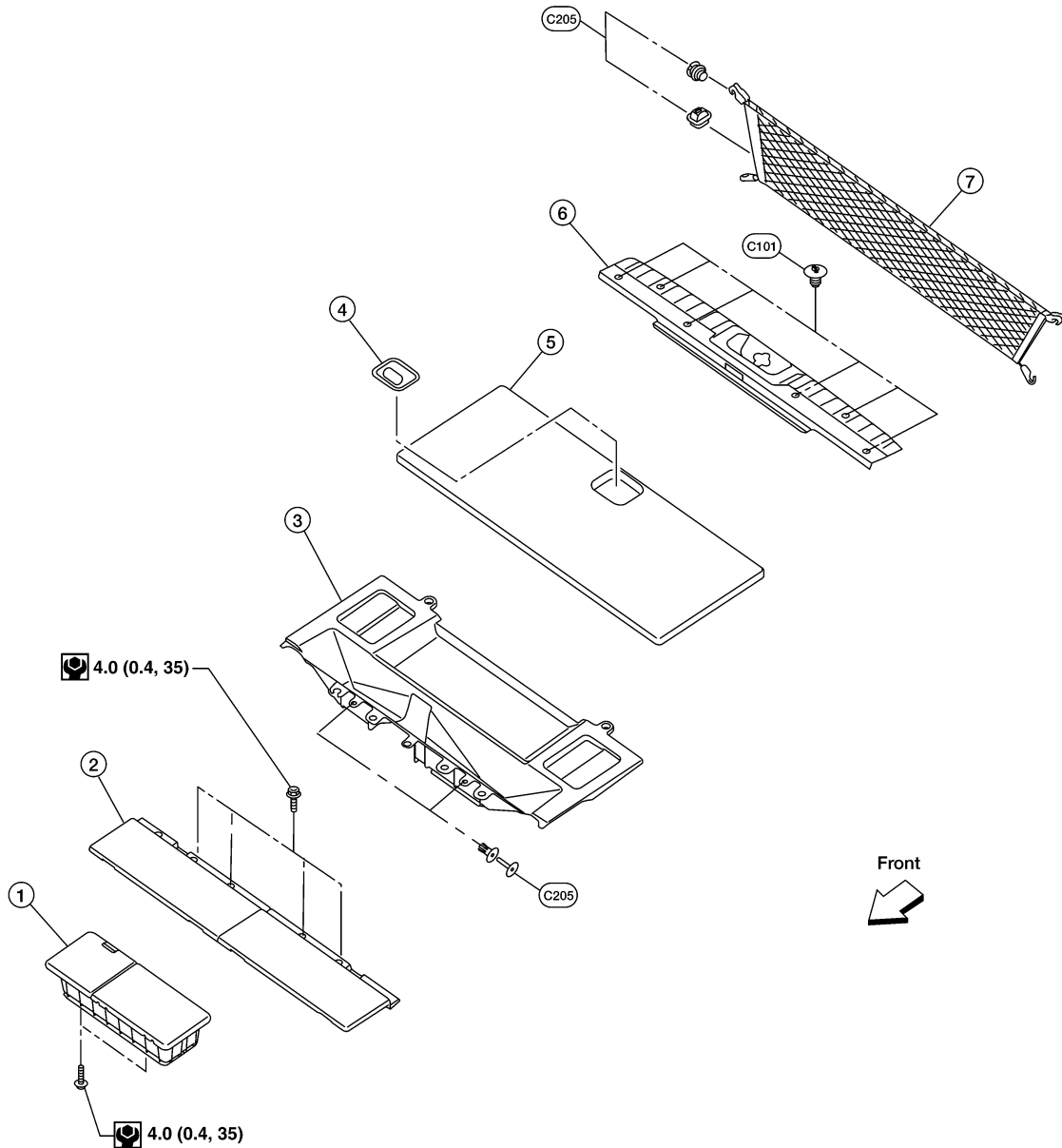
A
B
C
D
E
F
G
H
EI
J
K
L
M


LUGGAGE FLOOR TRIM

- | | | |
|-----------------------------------|------------------------|------------------------------------|
| 1. Metal clip | 2. Garnish | 3. Luggage side upper finisher RH |
| 4. Luggage side lower finisher RH | 5. Cup holder and tray | 6. Access cover |
| 7. Luggage side lower finisher LH | 8. Cup holder | 9. Storage bin |
| 10. Access cover | 11. Side cargo net | 12. Luggage side upper finisher LH |
| 13. Coat hook | | |

Luggage Trim - Floor

SEC. 850



 N-m (kg-m, in-lb)

- | | | |
|------------------------------|------------------------|------------------------|
| 1. Floor storage bin | 2. Flipper panel | 3. Storage tray |
| 4. Luggage floor board latch | 5. Luggage floor board | 6. Tailgate kick plate |
| 7. Cargo net | | |

LIA1784E

LUGGAGE FLOOR TRIM

EIS007U9

Removal and Installation

REMOVAL

1. Remove the 2nd and 3rd row seat belts. Refer to [SB-3, "SEAT BELTS"](#) .
2. Remove the third row seat belt buckles. Refer to [SB-3, "SEAT BELTS"](#) .
3. Remove the third row seat assembly. Refer to [SE-95, "Third Row"](#) .
4. Remove the rear door kick plates. refer to [EI-28, "BODY SIDE TRIM"](#) .
5. Remove the tailgate kick plate.
6. Disconnect the door open/close link. Refer to [BL-93, "BACK DOOR LOCK"](#) .
7. Remove the cargo net hooks.
8. Remove the LH and RH luggage side lower finishers.
 - Disconnect the power point on the RH side.
9. Remove the LH and RH coat hooks.
10. Remove the LH and RH luggage side upper finishers.
11. Remove the cargo net hooks LH/RH.
12. Remove the luggage floor board.
13. Remove the flipper panel.
14. Remove the storage tray.
15. Remove the floor storage bin.

INSTALLATION

Installation is in the reverse order of removal.

A

B

C

D

E

F

G

H

EI

J

K

L

M

BACK DOOR TRIM

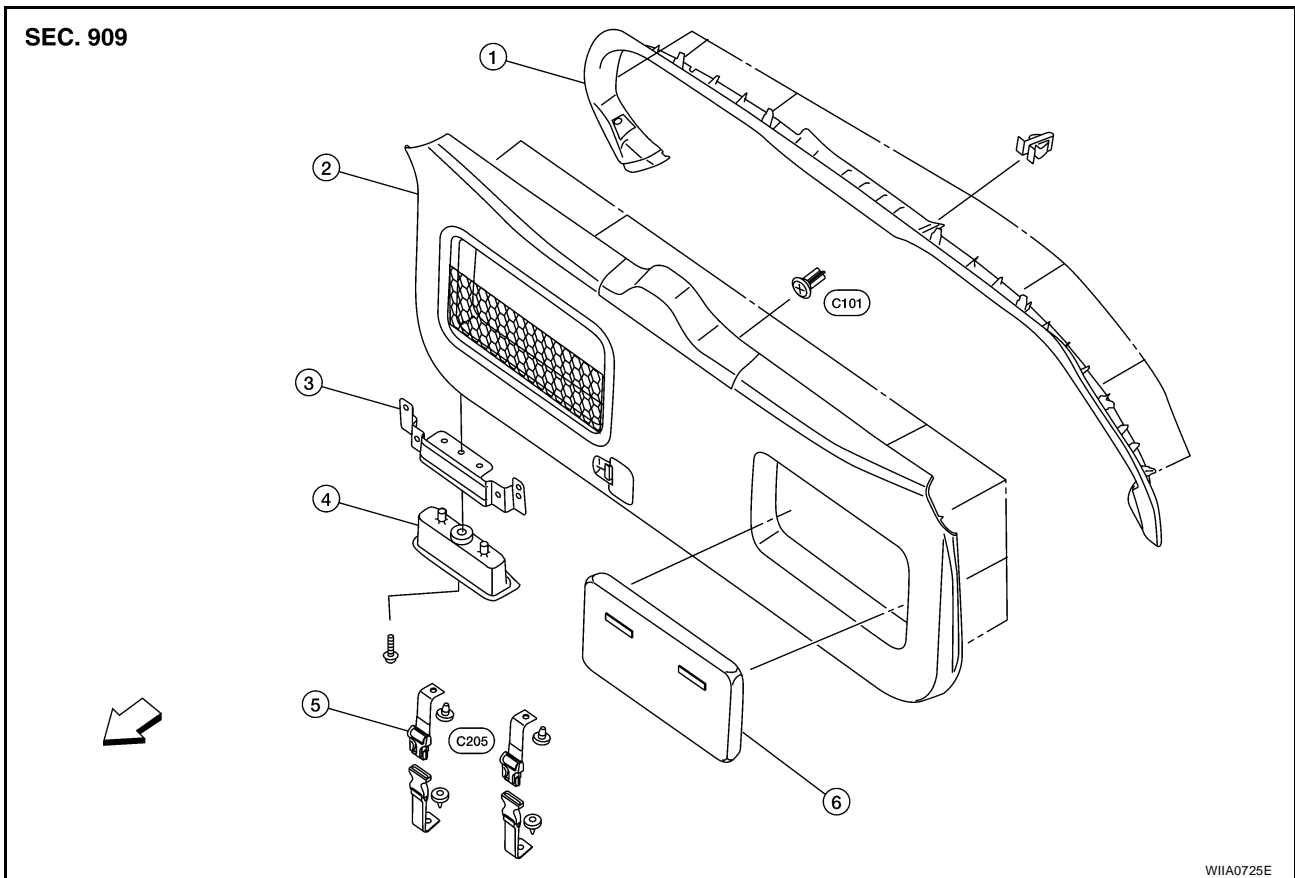
BACK DOOR TRIM

PFP:90900

Removal and Installation

EIS007UA

SEC. 909



- | | | |
|-----------------------------|------------------------|-----------------------------|
| 1. Back door window garnish | 2. Back door finisher | 3. Back door handle bracket |
| 4. Back door handle | 5. First aid kit strap | 6. First aid kit |
- ← Vehicle front

REMOVAL

1. Open back door glass.
2. Disconnect the gas spring LH and RH from back door (through window garnish).
3. Open the back door, release the clips and remove back door window garnish.
4. Remove the screw and back door handle.
5. Release the clips and remove back door finisher assembly.

INSTALLATION

Installation is in the reverse order of removal.