

# STARTING & CHARGING SYSTEM

## SECTION SC

### CONTENTS

<b>PRECAUTIONS</b> .....	2	DIAGNOSTIC PROCEDURE 1 .....	16	GI
Supplemental Restraint System (SRS) "AIR BAG" and "SEAT BELT PRE-TENSIONER" .....	2	DIAGNOSTIC PROCEDURE 2 .....	18	MA
Wiring Diagrams and Trouble Diagnosis .....	2	MINIMUM SPECIFICATION OF CRANKING VOLTAGE REFERENCING COOLANT TEMPERATURE .....	18	EM
<b>PREPARATION</b> .....	3	Construction .....	19	LC
Special Service Tool .....	3	Removal and Installation .....	19	EC
<b>BATTERY</b> .....	4	Pinion/Clutch Check .....	19	FE
How to Handle Battery .....	4	<b>CHARGING SYSTEM</b> .....	20	CL
METHODS OF PREVENTING OVER-DISCHARGE .....	4	System Description .....	20	MT
CHECKING ELECTROLYTE LEVEL .....	4	Wiring Diagram - CHARGE - .....	21	AT
SPECIFIC GRAVITY CHECK .....	5	Trouble Diagnoses with Battery/Starting/Charging System Tester .....	22	TF
CHARGING THE BATTERY .....	6	DIAGNOSTIC RESULT ITEM CHART .....	24	PD
Trouble Diagnoses with Battery/Starting/Charging System Tester .....	7	WORK FLOW .....	25	AX
DIAGNOSTIC RESULT ITEM CHART .....	9	DIAGNOSTIC PROCEDURE 1 .....	26	SU
<b>STARTING SYSTEM</b> .....	10	DIAGNOSTIC PROCEDURE 2 .....	27	BR
System Description .....	10	DIAGNOSTIC PROCEDURE 3 .....	28	ST
WITH M/T .....	10	MALFUNCTION INDICATOR .....	28	RS
WITH A/T .....	10	Construction .....	29	BT
Wiring Diagram - START -/With M/T .....	11	Removal and Installation .....	29	HA
Wiring Diagram - START -/With A/T .....	12	<b>SERVICE DATA AND SPECIFICATIONS (SDS)</b> .....	30	<b>SC</b>
Trouble Diagnoses with Battery/Starting/Charging System Tester .....	13	Battery .....	30	EL
DIAGNOSTIC RESULT ITEM CHART .....	14	Starter .....	30	RS
WORK FLOW .....	15	Alternator .....	30	BT

## PRECAUTIONS

Supplemental Restraint System (SRS) "AIR BAG" and "SEAT BELT PRE-TENSIONER"

---

### Supplemental Restraint System (SRS) "AIR BAG" and "SEAT BELT PRE-TENSIONER"

NASC0001

The Supplemental Restraint System such as "AIR BAG" and "SEAT BELT PRE-TENSIONER" used along with a seat belt, helps to reduce the risk or severity of injury to the driver and front passenger for certain types of collision. The SRS system composition which is available to NISSAN MODEL R50 is as follows:

- For a frontal collision  
The Supplemental Restraint System consists of driver air bag module (located in the center of the steering wheel), front passenger air bag module (located on the instrument panel on passenger side), seat belt pre-tensioners, a diagnosis sensor unit, warning lamp, wiring harness and spiral cable.
- For a side collision  
The Supplemental Restraint System consists of side air bag module (located in the outer side of front seat), satellite sensor, diagnosis sensor unit (one of components of air bags for a frontal collision), wiring harness, warning lamp (one of components of air bags for a frontal collision).

Information necessary to service the system safely is included in the **RS section** of this Service Manual.

#### **WARNING:**

- **To avoid rendering the SRS inoperative, which could increase the risk of personal injury or death in the event of a collision which would result in air bag inflation, all maintenance must be performed by an authorized NISSAN dealer.**
- **Improper maintenance, including incorrect removal and installation of the SRS, can lead to personal injury caused by unintentional activation of the system. For removal of Spiral Cable and Air Bag Module, Refer to RS section.**
- **Do not use electrical test equipment on any circuit related to the SRS unless instructed to in this Service Manual. Spiral cable and wiring harnesses covered with yellow insulation tape either just before the harness connectors or for the complete harness are related to the SRS.**

### Wiring Diagrams and Trouble Diagnosis

NASC0002

When you read wiring diagrams, refer to the following:

- GI-11, "HOW TO READ WIRING DIAGRAMS"
- EL-12, "POWER SUPPLY ROUTING" for power distribution circuit

When you perform trouble diagnosis, refer to the following:

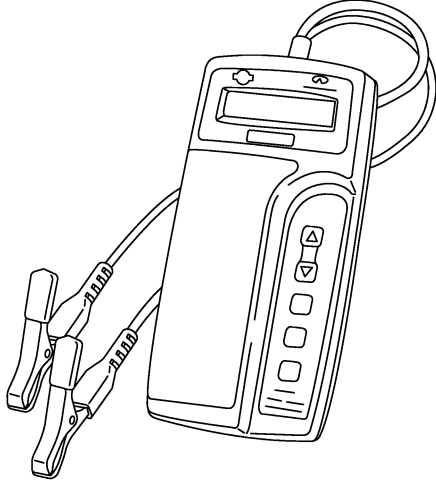
- GI-35, "HOW TO FOLLOW TEST GROUPS IN TROUBLE DIAGNOSIS"
- GI-24, "HOW TO PERFORM EFFICIENT DIAGNOSIS FOR AN ELECTRICAL INCIDENT"

# PREPARATION

Special Service Tool

## Special Service Tool

NASC0017

Tool number Tool name	Description
J-44373 Model 620 Battery/Starting/Charging system tester	 <p data-bbox="427 842 516 867">SEL403X</p>

GI

MA

EM

LC

EC

FE

CL

MT

AT

TF

PD

AX

SU

BR

ST

RS

BT

HA

**SC**

EL

IDX

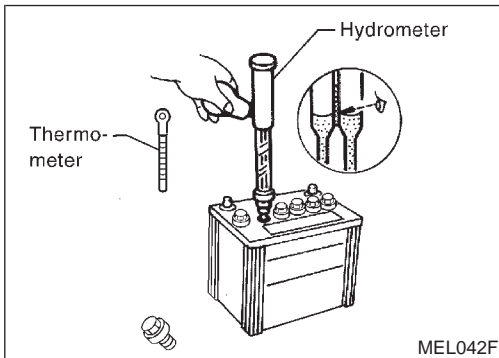
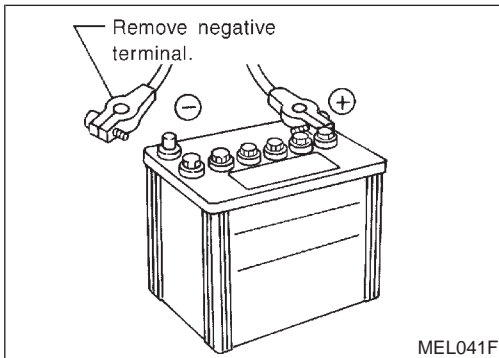
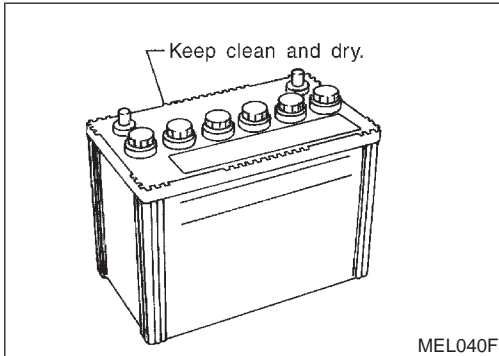
# BATTERY

## How to Handle Battery

NASC0003

### CAUTION:

- If it becomes necessary to start the engine with a booster battery and jumper cables, use a 12-volt booster battery.
- After connecting battery cables, ensure that they are tightly clamped to battery terminals for good contact.
- Never add distilled water through the hole used to check specific gravity.



## METHODS OF PREVENTING OVER-DISCHARGE

NASC0003S01

The following precautions must be taken to prevent over-discharging a battery.

- The battery surface (particularly its top) should always be kept clean and dry.
- The terminal connections should be clean and tight.
- At every routine maintenance, check the electrolyte level. This also applies to batteries designated as "low maintenance" and "maintenance-free".
- When the vehicle is not going to be used over a long period of time, disconnect the negative battery terminal. (If the vehicle has an extended storage switch, turn it off.)
- Check the charge condition of the battery. Periodically check the specific gravity of the electrolyte. Keep a close check on charge condition to prevent over-discharge.

## CHECKING ELECTROLYTE LEVEL

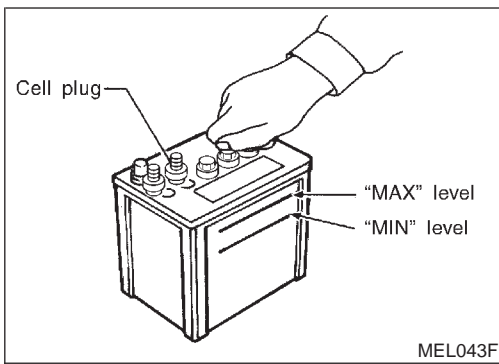
NASC0003S02

### WARNING:

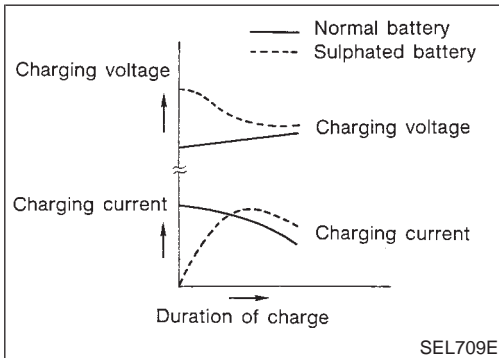
Do not allow battery fluid to come in contact with skin, eyes, fabrics, or painted surfaces. After touching a battery, do not touch or rub your eyes until you have thoroughly washed your hands. If acid contacts eyes, skin or clothing, immediately flush with water for 15 minutes and seek medical attention.

# BATTERY

How to Handle Battery (Cont'd)



- Remove the cell plug using a suitable tool.
- Add distilled water up to the MAX level.

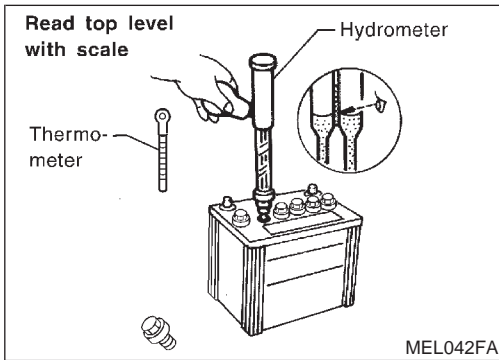


## Sulphation

A battery will be completely discharged if it is left unattended for a long time and the specific gravity will become less than 1.100. This may result in sulphation on the cell plates.

To determine if a battery has been "sulphated", note its voltage and current when charging it. As shown in the figure, less current and higher voltage are observed in the initial stage of charging sulphated batteries.

A sulphated battery may sometimes be brought back into service by means of a long, slow charge, 12 hours or more, followed by a battery capacity test.



## SPECIFIC GRAVITY CHECK

1. Read hydrometer and thermometer indications at eye level.

2. Use the chart below to correct your hydrometer reading according to electrolyte temperature.

## Hydrometer Temperature Correction

Battery electrolyte temperature °C (°F)	Add to specific gravity reading
71 (160)	0.032
66 (150)	0.028
60 (140)	0.024
54 (130)	0.020
49 (120)	0.016
43 (110)	0.012
38 (100)	0.008
32 (90)	0.004
27 (80)	0
21 (70)	-0.004
16 (60)	-0.008
10 (50)	-0.012

GI  
MA  
EM  
LC  
EC  
FE  
CL  
MT  
AT  
TF  
PD  
AX  
SU  
BR  
ST  
RS  
BT  
HA  
SC  
EL  
IDX

# BATTERY

How to Handle Battery (Cont'd)

Battery electrolyte temperature °C (°F)	Add to specific gravity reading
4 (40)	-0.016
-1 (30)	-0.020
-7 (20)	-0.024
-12 (10)	-0.028
-18 (0)	-0.032

Corrected specific gravity	Approximate charge condition
1.260 - 1.280	Fully charged
1.230 - 1.250	3/4 charged
1.200 - 1.220	1/2 charged
1.170 - 1.190	1/4 charged
1.140 - 1.160	Almost discharged
1.110 - 1.130	Completely discharged

## CHARGING THE BATTERY

NASC0003S04

### CAUTION:

- Do not “quick charge” a fully discharged battery.
- Keep the battery away from open flame while it is being charged.
- When connecting the charger, connect the leads first, then turn on the charger. Do not turn on the charger first, as this may cause a spark.
- If battery electrolyte temperature rises above 60°C (140°F), stop charging. Always charge battery at a temperature below 60°C (140°F).

## Charging Rates

NASC0003S0401

Amps	Time
50	1 hour
25	2 hours
10	5 hours
5	10 hours

**Do not charge at more than 50 ampere rate.**

### NOTE:

The ammeter reading on your battery charger will automatically decrease as the battery charges. This indicates that the voltage of the battery is increasing normally as the state of charge improves. The charging amps indicated above refer to initial charge rate.

- If, after charging, the specific gravity of any two cells varies more than .050, the battery should be replaced.

# BATTERY

Trouble Diagnoses with Battery/Starting/Charging System Tester

## Trouble Diagnoses with Battery/Starting/Charging System Tester

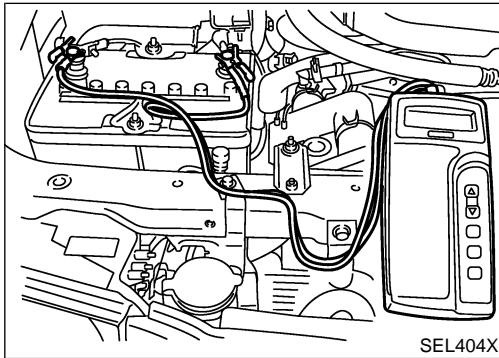
NASC0018

### CAUTION:

When working with batteries, always wear appropriate eye protection.

### NOTE:

- To ensure a complete and thorough diagnosis, the battery, starter and alternator test segments must be done as a set from start to finish.
- If battery surface charge is detected while testing, the tester will prompt you to turn on the headlights to remove the surface charge.
- If necessary, the tester will prompt you to determine if the battery temperature is above or below 0°C (32°F). Choose the appropriate selection by pressing the up or down arrow button, then press “ENTER” to make the selection.

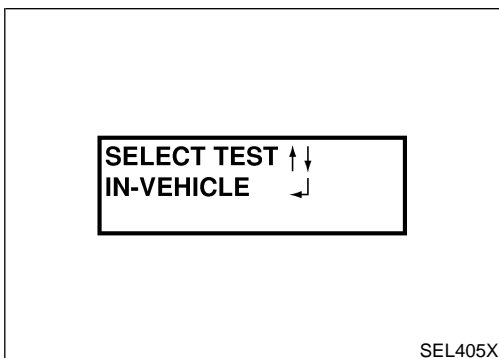


1. Turn off all loads on the vehicle electrical system. Clean or repair as necessary.
2. Visually inspect the battery, battery terminals and cable ends with ignition switch in “OFF” position.

### NOTE:

The contact surface between the battery terminals, cable ends and tester leads must be clean for a valid test. A poor connection will prevent testing and a “CHECK CONNECTION” message will appear during the test procedures. If this occurs, clean the battery post and terminals, reconnect them and restart the test.

3. Connect the red tester lead clamp to the positive battery terminal, and the black to the negative terminal.



4. The tester will turn on automatically. Using the arrow keys, select “IN VEHICLE” on the tester and then press the “ENTER” key.

GI

MA

EM

LC

EC

FE

CL

MT

AT

TF

PD

AX

SU

BR

ST

RS

BT

HA

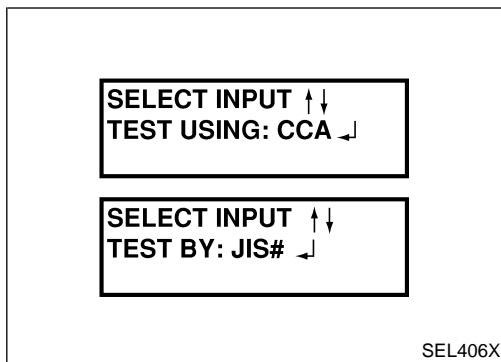
SC

EL

IDX

# BATTERY

Trouble Diagnoses with Battery/Starting/Charging System Tester (Cont'd)



5. Locate the battery type and rating stamped or written on the top case of the battery to be tested.

**NOTE:**

The battery type and rating will have either of the following.

**CCA:** Cold Cranking Amps (490 CCA, 550 CCA, etc.)

**JIS:** Japanese Industrial Standard.

Battery is stamped with a number such as:

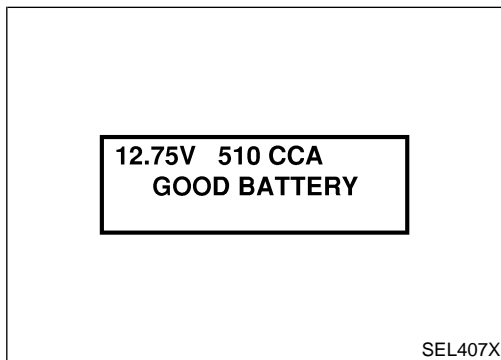
80D26L: 80 (rank of output), D (physical size-depth), 26 (width in cm). The last character L (post configuration) is not input into the tester.

The tester requires the rating for the battery be entered exactly as it is written or stamped on the battery. Do not attempt a CCA conversion for JIS stamped batteries. JIS must be input directly.

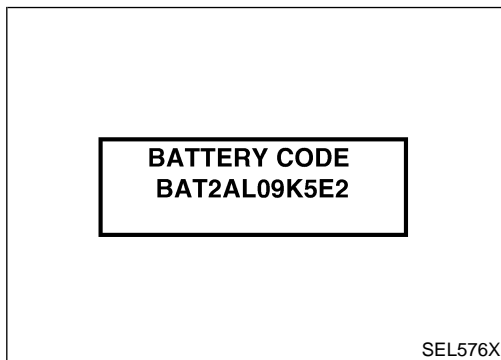
6. Using the arrow and “ENTER” keys alternately, select the battery type and rating.

**NOTE:**

The tester lists five choices; CCA, JIS, IEC, DIN, and EN. Only use CCA or JIS.



7. Press “ENTER” to begin the test. Diagnosis results are displayed on the tester. Refer to “DIAGNOSTIC RESULT ITEM CHART” on the next page.



8. Press “ENTER”, then test output code is displayed. Record the test output code on the repair order.
9. Toggle back to the “DIAGNOSTIC SCREEN” for test results.

**NOTE:**

- If necessary, the tester will ask the user to determine if the battery has just been charged. Choose the appropriate selection by pressing the up or down arrow button and then press the “ENTER” button to make the selection.
- When testing a battery installed in a vehicle that has recently been driven, select “BEFORE CHANGE”.
- If the battery has just been slow charged due to a “CHARGE & RETEST” decision by the tester, and the tester asks the user “BEFORE CHARGE/AFTER CHARGE”, select “AFTER CHARGE”.



# BATTERY

Trouble Diagnoses with Battery/Starting/Charging System Tester (Cont'd)

## DIAGNOSTIC RESULT ITEM CHART

NASC0018S01

Diagnostic item	Service procedure
GOOD BATTERY	Battery is OK, go to "Trouble Diagnoses", "STARTING SYSTEM". Refer to SC-13.
REPLACE BATTERY	Replace battery. Before replacing battery, clean the battery cable clamps and battery posts. Perform battery test again with Battery/Starting/Charging system tester. If second test result is "Replace Battery", then do so. Perform battery test again to confirm repair.
BAD CELL-REPLACE	Replace the battery. Perform battery test again with Battery/Starting/Charging system tester to confirm repair.
GOOD-RECHARGE	Perform the slow battery charging procedure. (Initial rate of charge is 10A for 12 hours.) Perform battery test again with Battery/Starting/Charging system tester.
CHARGE & RETEST	Perform the slow battery charging. (Initial rate of charge is 10A for 12 hours.) Perform battery test again with Battery/Starting/Charging system tester to confirm repair. <b>NOTE:</b> <b>If the tester asks the user "BEFORE CHARGE/AFTER CHARGE", select "AFTER CHARGE".</b>

GI

MA

EM

LC

EC

FE

CL

MT

AT

TF

PD

AX

SU

BR

ST

RS

BT

HA

**SC**

EL

IDX

# STARTING SYSTEM

System Description

---

## System Description

NASC0004

NASC0004S02

### WITH M/T

Power is supplied at all times

- to ignition switch terminal 1
- through 40A fusible link (letter **e**, located in the fuse and fusible link box).

With the ignition switch in the START position, power is supplied

- through terminal 5 of the ignition switch
- to clutch interlock relay terminal 3.

With the ignition switch in the ON or START position, power is supplied

- through 10A fuse [No. 21, located in the fuse block (J/B)]
- to clutch interlock relay terminal 1.

If clutch pedal is depressed, ground is supplied

- to clutch interlock relay terminal 2.
- through clutch interlock switch.

The clutch interlock relay is energized and power is supplied

- from terminal 5 of the clutch interlock relay
- to terminal 2 of the starter motor windings.

The starter motor plunger closes and provides a closed circuit between the battery and the starter motor. The starter motor is grounded to the cylinder block. With power and ground supplied, cranking occurs and the engine starts.

### WITH A/T

NASC0004S01

Power is supplied at all times

- to ignition switch terminal 1
- through 40A fusible link (letter **e**, located in the fuse and fusible link box).

With the ignition switch in the ON or START position, power is supplied through 10A fuse [No. 18, located in the fuse block (J/B)].

- to park/neutral position relay terminal 1.

Also, with the ignition switch in the START position, power is supplied

- from ignition switch terminal 5
- to park/neutral position relay terminal 6.

With the selector lever in the P or N position, ground is supplied

- to park/neutral position relay terminal 2 through the park/neutral position switch.

Then park/neutral position relay is energized and power is supplied

- from park/neutral position relay terminal 7
- to terminal 2 of the starter motor windings.

The starter motor plunger closes and provides a closed circuit between the battery and starter motor. The starter motor is grounded to the engine block. With power and ground supplied, cranking occurs and the engine starts.

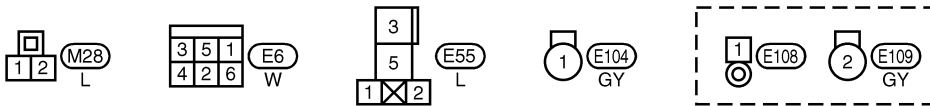
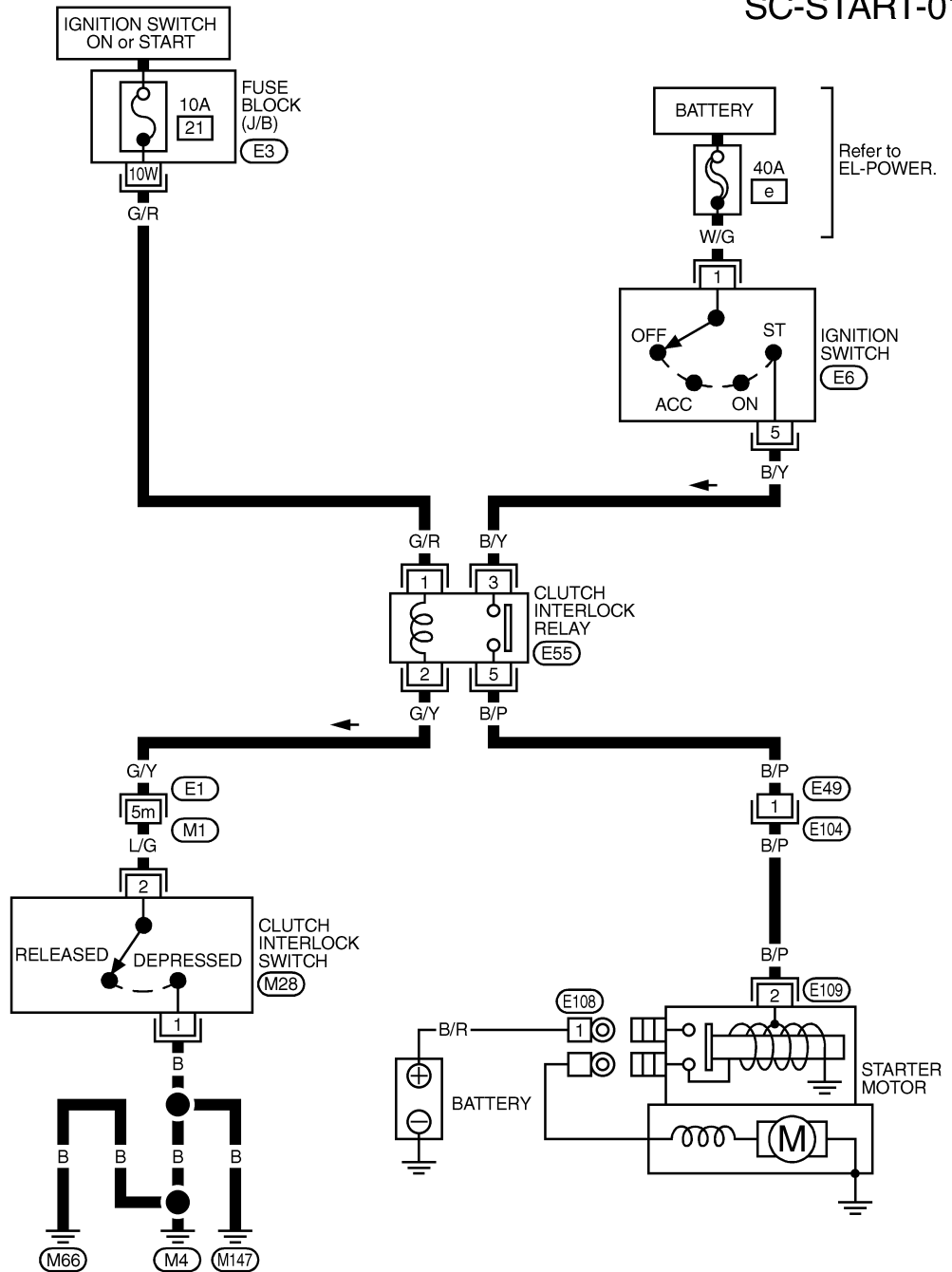
# STARTING SYSTEM

Wiring Diagram — START —/With M/T

## Wiring Diagram — START —/With M/T

NASC0005

SC-START-01



REFER TO THE FOLLOWING.

- E1** - SUPER MULTIPLE JUNCTION (SMJ)
- E3** - FUSE BLOCK - JUNCTION BOX (J/B)

GI  
MA  
EM  
LC  
EC  
FE  
CL  
MT  
AT  
TF  
PD  
AX  
SU  
BR  
ST  
RS  
BT  
HA  
SC  
EL  
IDX

MEL546N

# STARTING SYSTEM

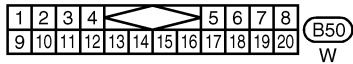
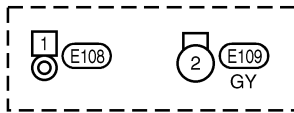
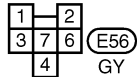
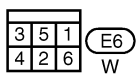
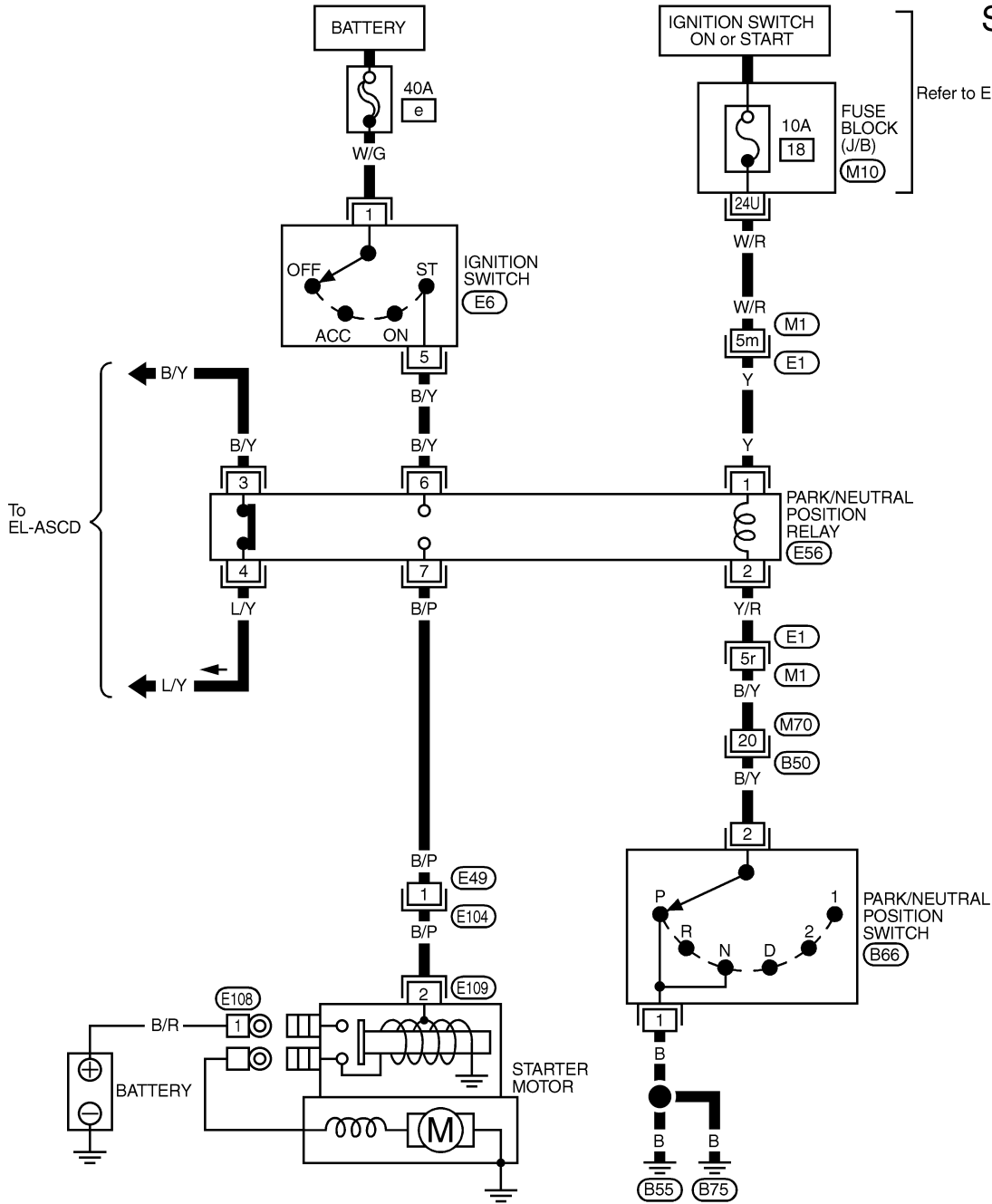
Wiring Diagram — START —/With A/T

## Wiring Diagram — START —/With A/T

NASC0021

### SC-START-02

Refer to EL-POWER.



REFER TO THE FOLLOWING.

- (E1) -SUPER
- MULTIPLE JUNCTION (SMJ)
- (M10) -FUSE BLOCK-
- JUNCTION BOX (J/B)

# STARTING SYSTEM

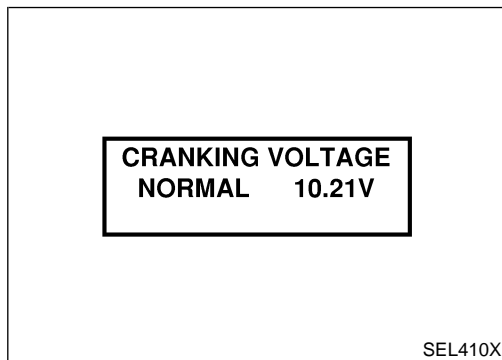
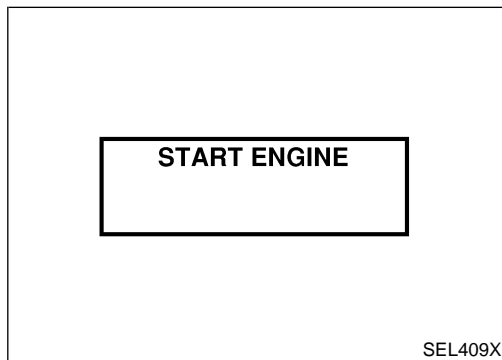
Trouble Diagnoses with Battery/Starting/Charging System Tester

## Trouble Diagnoses with Battery/Starting/Charging System Tester

NASC0019

### NOTE:

To ensure a complete and thorough diagnosis, the battery, starter and alternator test segments must be done as a set from start to finish.



1. Turn off all loads on the vehicle electrical system.
2. Perform battery test with Battery/Starting/Charging system tester. Refer to SC-7.
3. Press "ENTER" to begin the starting system test.

4. Start the engine.

5. Diagnosis result is displayed on the tester. Refer to "DIAGNOSTIC RESULT ITEM CHART" on the next page.

### NOTE:

- If the starter performs normally but the engine does not start, perform engine diagnosis.
- For intermittent "NO CRANK" or "NO STARTER OPERATION" incidents, go to DIAGNOSTIC PROCEDURE 2.

GI

MA

EM

LC

EC

FE

CL

MT

AT

TF

PD

AX

SU

BR

ST

RS

BT

HA

SC

EL

IDX

# STARTING SYSTEM

Trouble Diagnoses with Battery/Starting/Charging System Tester (Cont'd)

## DIAGNOSTIC RESULT ITEM CHART

NASC0019S01

Diagnostic item	Service procedure
CRANKING VOLTAGE NORMAL	Go to "WORK FLOW", SC-15.
CRANKING VOLTAGE LOW	Go to "WORK FLOW", SC-15.
CHARGE BATTERY	Perform the slow battery charging procedure. (Initial rate of charge is 10A for 12 hours.) Perform battery test again with Battery/Starting/Charging system tester. Refer to SC-7.
REPLACE BATTERY	Before replacing battery, clean the battery cable clamps and battery posts. Perform battery test again with Battery/Starting/Charging system tester. Refer to SC-7. If second test result is "REPLACE BATTERY", then do so. Perform battery test again to confirm repair.

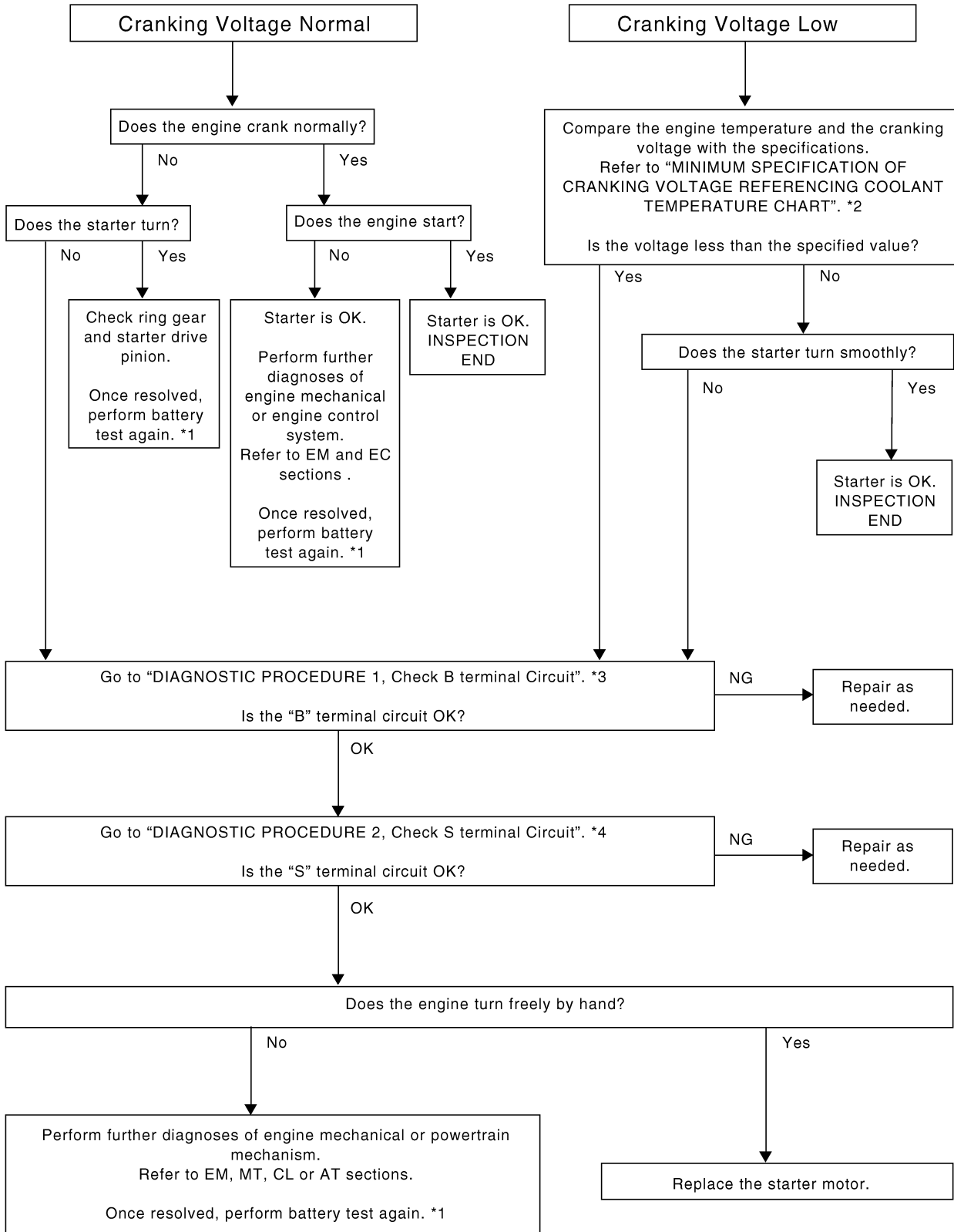
# STARTING SYSTEM

Trouble Diagnoses with Battery/Starting/Charging System Tester (Cont'd)

## WORK FLOW

NASC0019S02

GI  
MA  
EM  
LC  
EC  
FE  
CL  
MT  
AT  
TF  
PD  
AX  
SU  
BR  
ST  
RS  
BT  
HA  
SC  
EL  
IDX



\*1 SC-7  
\*2 SC-18

\*3 SC-16

\*4 SC-18

SEL411X

SC

# STARTING SYSTEM

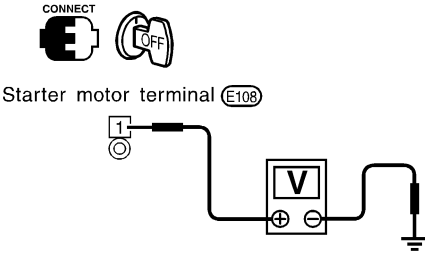
Trouble Diagnoses with Battery/Starting/Charging System Tester (Cont'd)

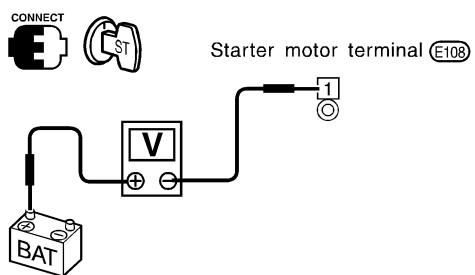
## DIAGNOSTIC PROCEDURE 1

### Check "B" Terminal Circuit

NASC0019S03

NASC0019S0301

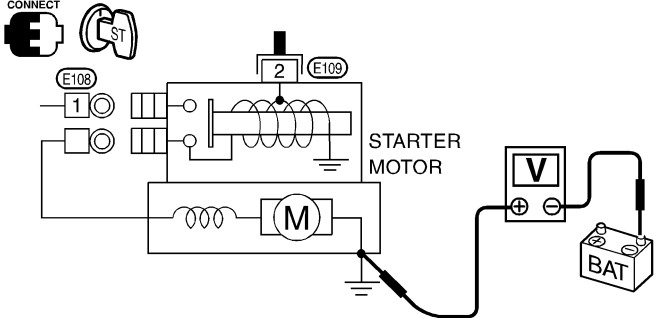
<b>1</b>	<b>CHECK POWER SUPPLY FOR STARTER MOTOR "B" TERMINAL</b>	
<ol style="list-style-type: none"> <li>1. Remove the fuel pump fuse.</li> <li>2. Crank or start the engine (where possible) until the fuel pressure is released.</li> <li>3. Turn the ignition OFF.</li> <li>4. Check that the starter motor terminal 1 connection is clean and tight.</li> <li>5. Check voltage between starter motor terminal 1 and ground using a digital circuit tester.</li> </ol>		
 <p style="text-align: right;"><b>Battery voltage should exist.</b></p>		
SEL412X		
<b>OK or NG</b>		
OK	▶	GO TO 2.
NG	▶	Check harness between the battery and the starter motor for open circuit.

<b>2</b>	<b>CHECK BATTERY CABLE CONNECTION QUALITY (VOLTAGE DROP TEST)</b>	
<ol style="list-style-type: none"> <li>1. Check voltage between starter motor terminal 1 and battery positive terminal using a digital circuit tester.</li> </ol>		
 <p style="text-align: right;"><b>When the ignition switch is in START position, Voltage: Less than 0.5V</b></p>		
SEL413X		
<b>OK or NG</b>		
OK	▶	GO TO 3.
NG	▶	Check harness between the battery and the starter motor for poor continuity.



# STARTING SYSTEM

Trouble Diagnoses with Battery/Starting/Charging System Tester (Cont'd)

3	<b>CHECK STARTER MOTOR GROUND CIRCUIT (VOLTAGE DROP TEST)</b>	
1. Check voltage between starter motor case and battery negative terminal using a digital circuit tester.		
 <p>When the ignition switch is in START position, <b>Voltage: Less than 0.2V</b></p> <p>SEL414X</p> <p><b>OK or NG</b></p>		
OK	▶	Starter motor "B" terminal circuit is OK. Further inspection necessary. Refer to "WORK FLOW", SC-15.
NG	▶	Check the starter motor case and ground for poor continuity.

GI

MA

EM

LC

EC

FE

CL

MT

AT

TF

PD

AX

SU

BR

ST

RS

BT

HA

**SC**

EL

IDX

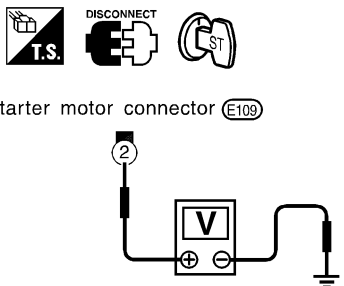
# STARTING SYSTEM

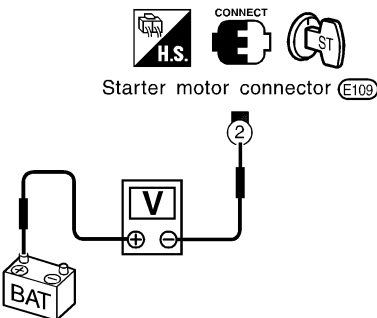
Trouble Diagnoses with Battery/Starting/Charging System Tester (Cont'd)

## DIAGNOSTIC PROCEDURE 2 Check "S" Terminal Circuit

=NASC0019S04

NASC0019S0401

<b>1</b>	<b>CHECK POWER SUPPLY FOR STARTER MOTOR "S" TERMINAL</b>	
<ol style="list-style-type: none"> <li>Remove the fuel pump fuse.</li> <li>Crank or start the engine (where possible) until the fuel pressure is released.</li> <li>Turn the ignition OFF.</li> <li>Disconnect starter motor terminal 2 connector.</li> <li>Check voltage between starter motor terminal 2 and ground using a digital circuit tester.</li> </ol>		
 <p>Starter motor connector (E109)</p> <p>When the ignition switch is in START position, <b>Battery voltage should exist.</b></p>		
SEL415X		
<b>OK or NG</b>		
OK	▶	GO TO 2.
NG	▶	<b>Check the following.</b> <ul style="list-style-type: none"> <li>40A fusible link (letter e, located in fuse and fusible link box)</li> <li>Park/neutral position relay</li> <li>Harness for open or short</li> </ul>

<b>2</b>	<b>CHECK "S" TERMINAL CONNECTION QUALITY (VOLTAGE DROP TEST)</b>	
<ol style="list-style-type: none"> <li>Connect starter motor terminal 2 connector.</li> <li>Check voltage between starter motor terminal 2 and battery positive terminal using a digital tester.</li> </ol>		
 <p>Starter motor connector (E109)</p> <p>When the ignition switch is in START position, <b>Voltage: Less than 1V</b></p>		
SEL416X		
<b>OK or NG</b>		
OK	▶	Starter motor "S" terminal circuit is OK. Further inspection necessary. Refer to "WORK FLOW", SC-15.
NG	▶	Check harness between the battery and the starter motor "S" terminal for poor continuity.

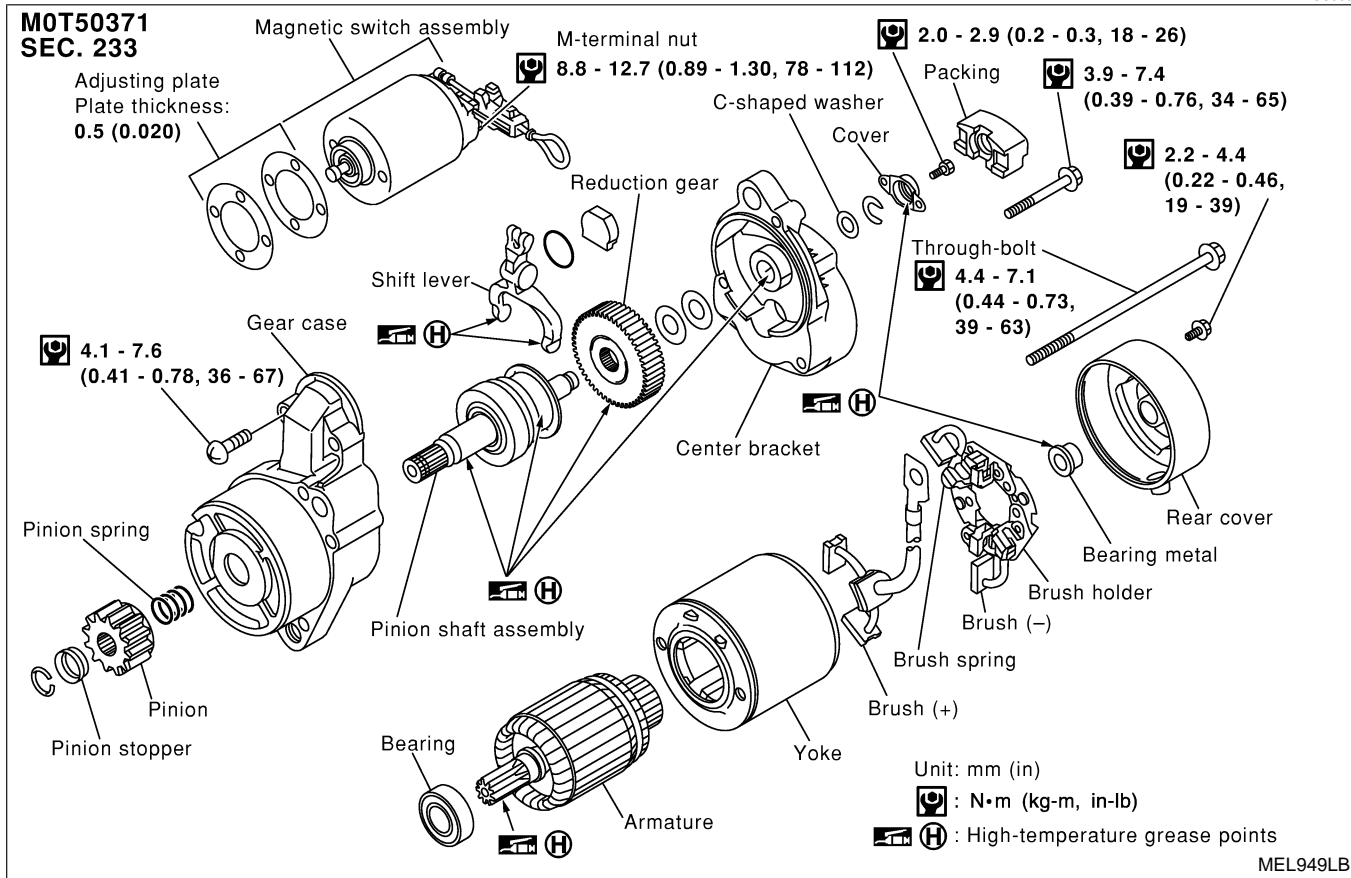
### MINIMUM SPECIFICATION OF CRANKING VOLTAGE REFERENCING COOLANT TEMPERATURE

NASC0019S05

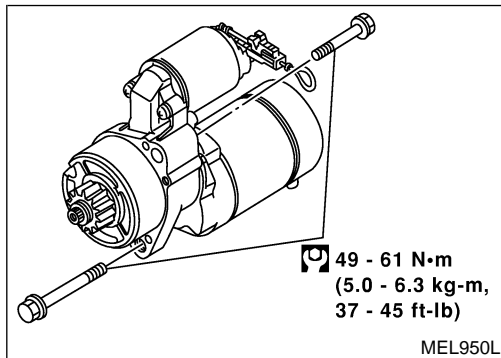
Engine coolant temperature	Voltage V
-30°C to -20°C (-22°F to -4°F)	8.6
-19°C to -10°C (-2°F to 14°F)	9.1
-9°C to 0°C (16°F to 32°F)	9.5
More than 1°C (More than 34°F)	9.9

## Construction

NASC0006



GI  
MA  
EM  
LC  
EC  
FE  
CL  
MT  
AT  
TF  
PD  
AX  
SU  
BR  
ST  
RS  
BT  
HA  
SC  
EL  
IDX



## Removal and Installation

NASC0007

### Pinion/Clutch Check

NASC0008

1. Inspect pinion teeth.
  - Replace pinion if teeth are worn or damaged. (Also check condition of ring gear teeth.)
2. Inspect reduction gear teeth.
  - Replace reduction gear if teeth are worn or damaged. (Also check condition of armature shaft gear teeth.)
3. Check to see if pinion locks in one direction and rotates smoothly in the opposite direction.
  - If it locks or rotates in both directions, or unusual resistance is evident, replace.

# CHARGING SYSTEM

*System Description*

---

## System Description

NASC0009

The alternator provides DC voltage to operate the vehicle's electrical system and to keep the battery charged. The voltage output is controlled by the IC regulator.

Power is supplied at all times to alternator terminal S through:

- 120A fusible link (letter **a**, located in the fuse and fusible link box), and
- 7.5A fuse (No. 65, located in the fuse and fusible link box).

Terminal B supplies power to charge the battery and operate the vehicle's electrical system. Output voltage is controlled by the IC regulator at terminal S detecting the input voltage. The charging circuit is protected by the 120A fusible link.

Terminal E of the alternator supplies ground through body ground E101.

With the ignition switch in the ON or START position, power is supplied

- through 10A fuse [No. 8, located in the fuse block (J/B)]
- to combination meter terminal 12 for the charge warning lamp.

Ground is supplied to terminal 43 of the combination meter through terminal L of the alternator. With power and ground supplied, the charge warning lamp will illuminate. When the alternator is providing sufficient voltage with the engine running, the ground is opened and the charge warning lamp will go off.

If the charge warning lamp illuminates with the engine running, a fault is indicated.

# CHARGING SYSTEM

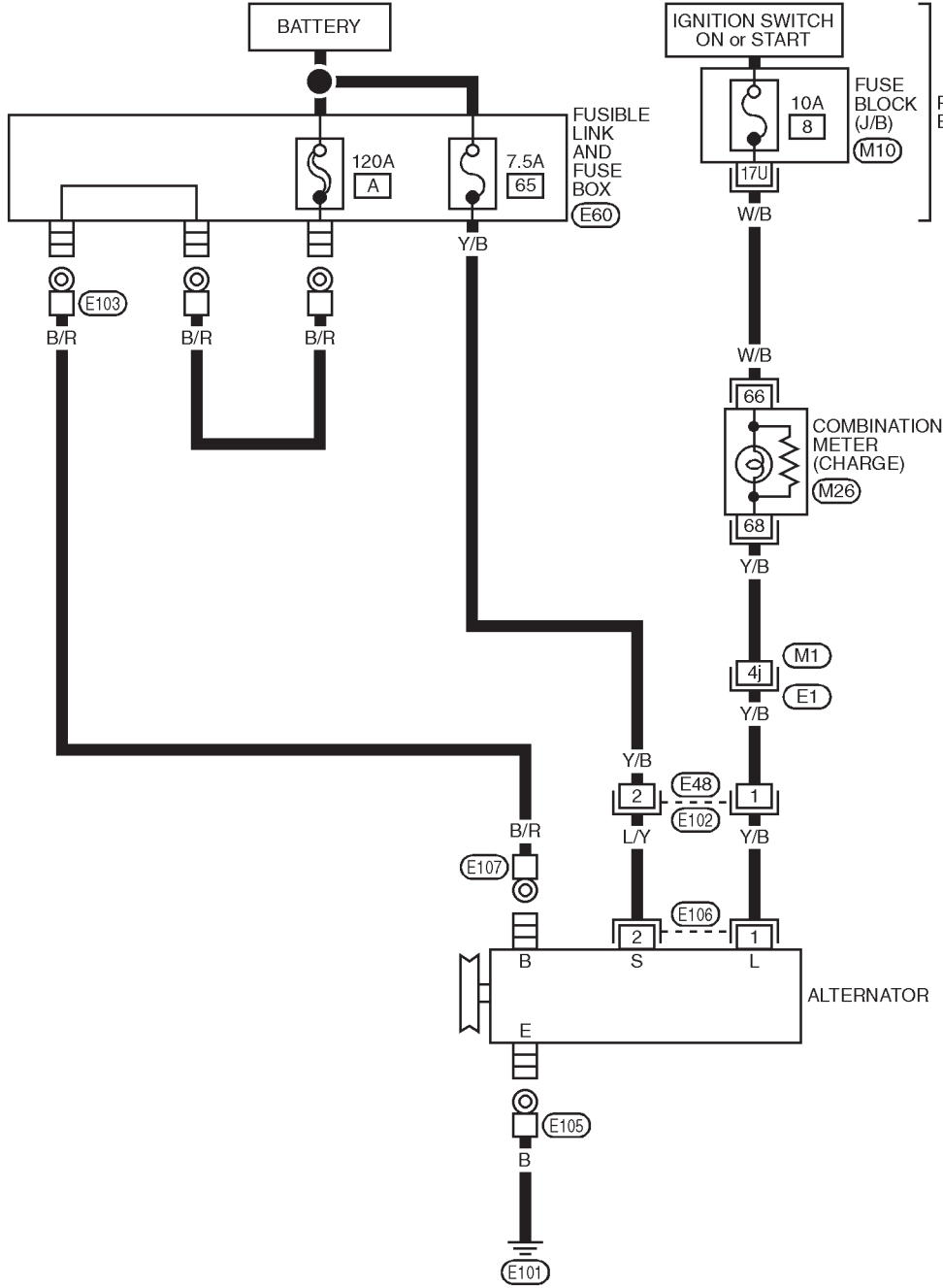
Wiring Diagram — CHARGE —

## Wiring Diagram — CHARGE —

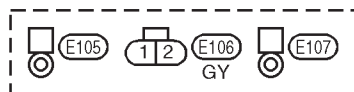
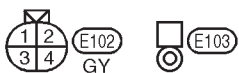
NASC0010

### SC-CHARGE-01

GI  
MA  
EM  
LC  
EC  
FE  
CL  
MT  
AT  
TF  
PD  
AX  
SU  
BR  
ST  
RS  
BT  
HA  
SC  
EL  
IDX



Refer to EL-POWER.



REFER TO THE FOLLOWING.

- (E1) -SUPER
- MULTIPLE JUNCTION (SMJ)
- (M10) -FUSE BLOCK-JUNCTION BOX (J/B)
- (E60) -FUSIBLE LINK AND FUSE BOX

MEL653L

# CHARGING SYSTEM

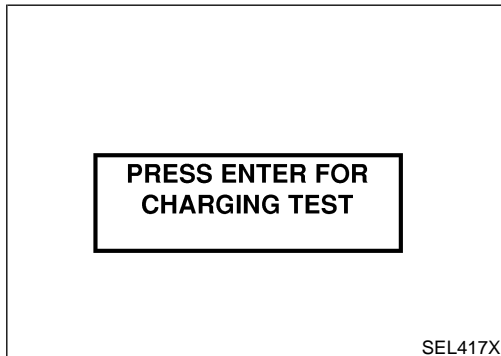
Trouble Diagnoses with Battery/Starting/Charging System Tester

## Trouble Diagnoses with Battery/Starting/Charging System Tester

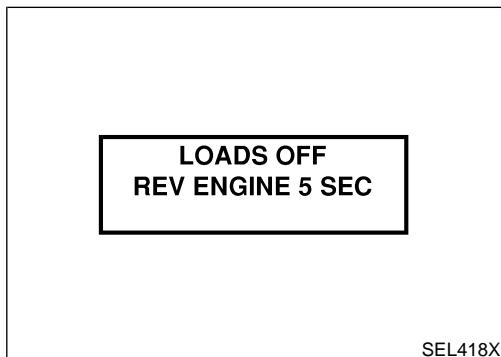
NASC0020

### NOTE:

To ensure a complete and thorough diagnosis, the battery, starter and alternator test segments must be done as a set from start to finish.



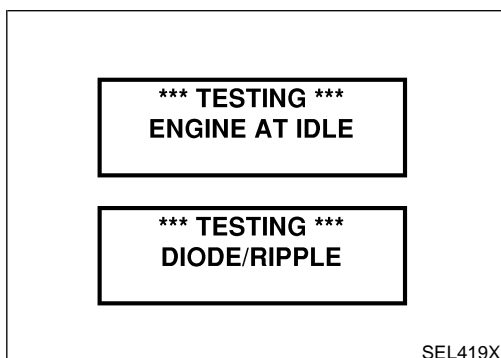
1. Turn off all loads on the vehicle electrical system.
2. Perform battery and starting system test with Battery/Starting/Charging system tester.
3. Press "ENTER" to begin the charging system test.
4. Start engine.



5. Press "ENTER" until "LOADS OFF REV ENGINE 5 SEC" is displayed.
6. Raise and hold the engine speed at 1,500 to 2,000 rpm for about 5 seconds, then return to the engine to idle. Once the increase in engine rpm is detected, press "ENTER" to continue.

### NOTE:

- If after 30 seconds an increase in engine idle speed is not detected, "RPM NOT DETECTED" will display.
- Some engines may have a higher idle initially after starting, particularly when the engine is cold. The tester may detect this without any other action being taken. If this occurs, continue on with the testing process. The final results will not be affected.



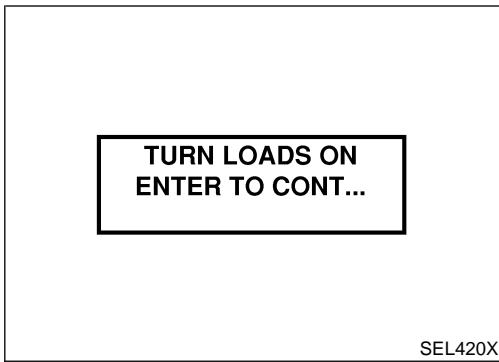
7. The tester now checks the engine at idle and performs the DIODE/RIPPLE check.
8. When complete, the tester will prompt you to turn on the following electrical loads.
  - Heater fan set to highest. Do not run the A/C or windshield defroster.
  - Headlamp high beam
  - Rear window defogger

### NOTE:

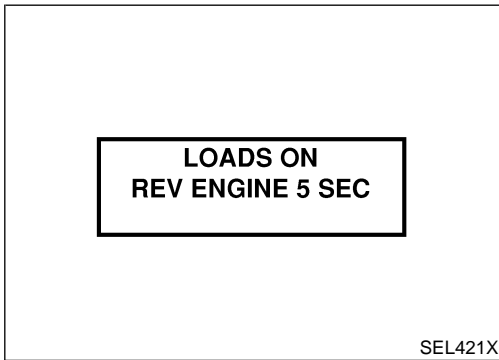
Do not run the windshield wipers or any other cyclical loads.

# CHARGING SYSTEM

Trouble Diagnoses with Battery/Starting/Charging System Tester (Cont'd)



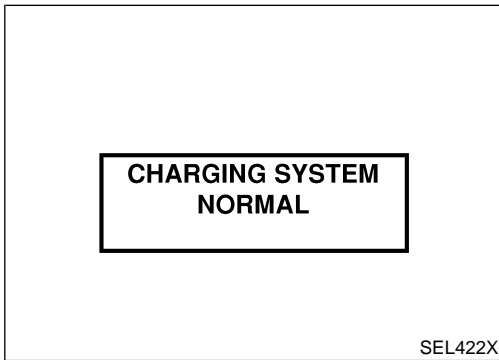
9. Press "ENTER" to continue.



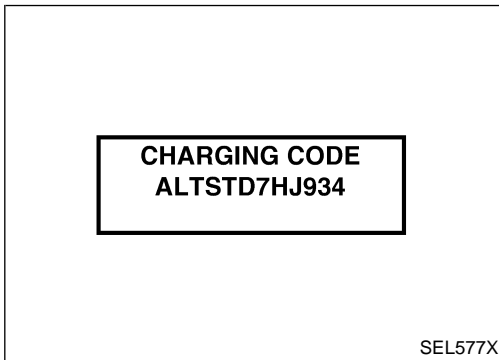
10. Raise and hold the engine speed at 1,500 to 2,000 rpm for about 5 seconds, then return the engine to idle. Once the increase in engine rpm is detected, press "ENTER" to continue.

**NOTE:**

If after 30 seconds an increase in engine idle speed is not detected, "RPM NOT DETECTED" will be displayed. Press "ENTER" to restart the test.



11. Diagnostic result is displayed on the tester. Refer to the following "DIAGNOSTIC RESULT ITEM CHART" on the next page.



12. Press "ENTER" then test output code is displayed. Record the test output code on the repair order.

13. Toggle back to the "DIAGNOSTIC SCREEN" for test results.

GI

MA

EM

LC

EC

FE

CL

MT

AT

TF

PD

AX

SU

BR

ST

RS

BT

HA

**SC**

EL

IDX

# CHARGING SYSTEM

*Trouble Diagnoses with Battery/Starting/Charging System Tester (Cont'd)*

## DIAGNOSTIC RESULT ITEM CHART

NASC0020S01

Diagnostic item	Service procedure
CHARGING SYSTEM NORMAL	Charging system is normal and will also show DIODE RIPPLE test result.
NO CHARGING VOLTAGE	Go to "WORK FLOW", SC-25.
LOW CHARGING VOLTAGE	Go to "WORK FLOW", SC-25.
HIGH CHARGING VOLTAGE	Go to "WORK FLOW", SC-25.
DIODE RIPPLE NORMAL	Diode ripple is OK and will also show CHARGING VOLTAGE test result.
EXCESS RIPPLE DETECTED	Replace the alternator. Perform "DIODE RIPPLE" test again using Battery/Starting/Charging system tester to confirm repair.
DIODE RIPPLE NOT DETECTED	Go to "WORK FLOW", SC-25.

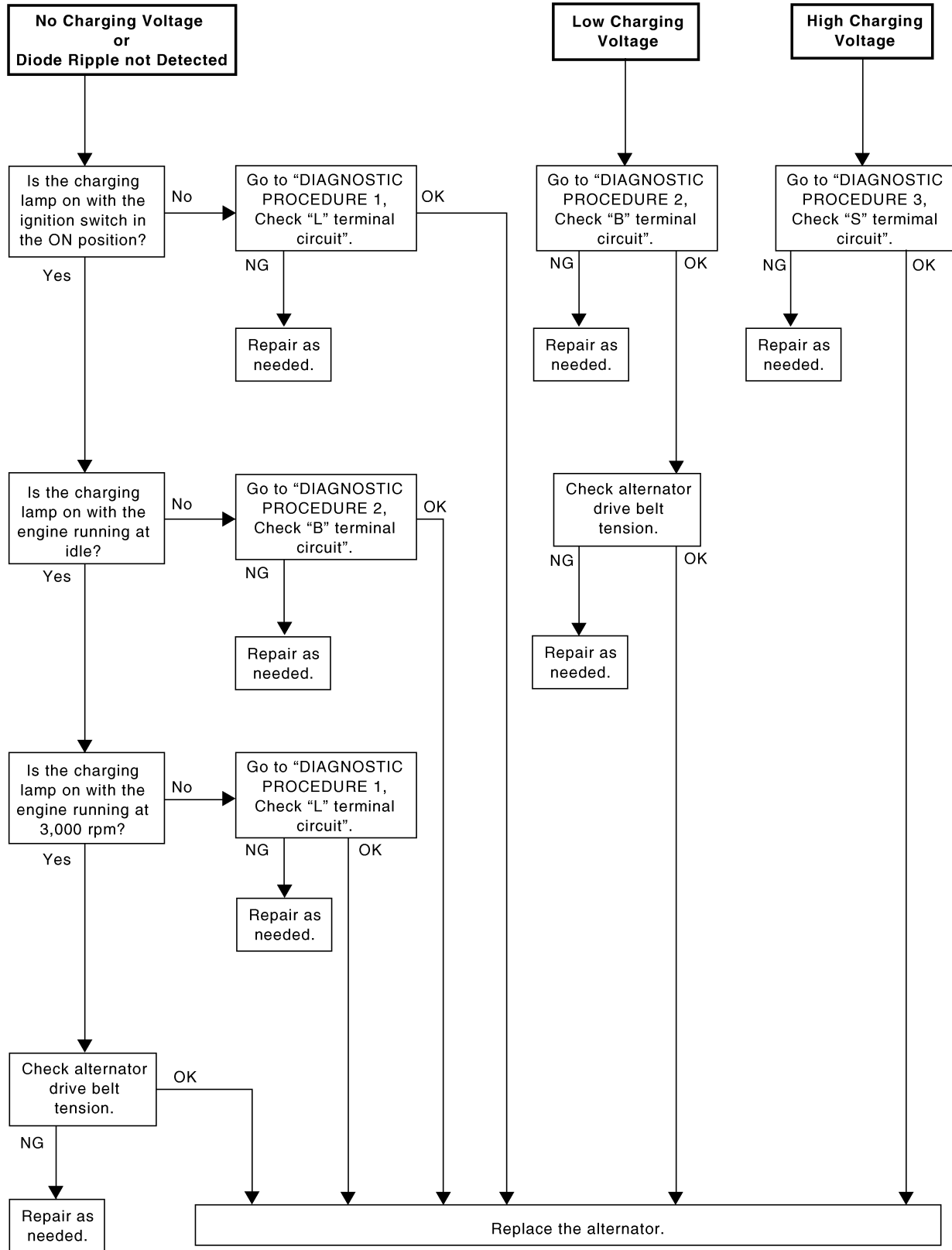


# CHARGING SYSTEM

Trouble Diagnoses with Battery/Starting/Charging System Tester (Cont'd)

## WORK FLOW

NASC0020S02



GI

MA

EM

LC

EC

FE

CL

MT

AT

TF

PD

AX

SU

BR

ST

RS

BT

HA

SC

EL

IDX

SEL423X

# CHARGING SYSTEM

Trouble Diagnoses with Battery/Starting/Charging System Tester (Cont'd)

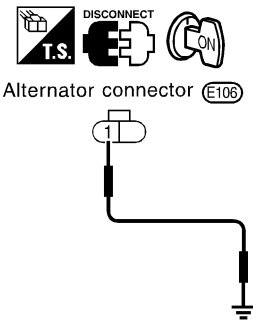
## DIAGNOSTIC PROCEDURE 1

### Check "L" Terminal Circuit

NASC0020S03

NASC0020S0301

<b>1</b>	<b>CHECK "L" TERMINAL CONNECTION</b>	
Check to see if "L" terminal is clean and tight.		
<b>OK or NG</b>		
OK	▶	GO TO 2.
NG	▶	Repair "L" terminal connection. Confirm repair by performing complete Battery/Starting/Charging system test.

<b>2</b>	<b>CHECK "L" TERMINAL CIRCUIT</b>	
<p>1. Disconnect E106 connector from alternator.</p> <p>2. Apply ground to E106 connector terminal 1 with the ignition switch in the ON position.</p>		
 <p style="text-align: center;"><b>CHARGE lamp should light up.</b></p>		
SEL424X		
<b>OK or NG</b>		
OK	▶	Replace the alternator. Confirm repair by performing complete Battery/Starting/Charging system test.
NG	▶	<p><b>Check the following.</b></p> <ul style="list-style-type: none"> <li>● 10A fuse [No. 8, located in fuse block (J/B)]</li> <li>● CHARGE lamp</li> <li>● Harness for open or short between combination meter and fuse</li> <li>● Harness for open or short between combination meter and alternator</li> </ul>

# CHARGING SYSTEM

Trouble Diagnoses with Battery/Starting/Charging System Tester (Cont'd)


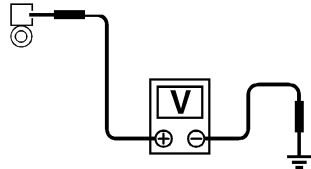
## DIAGNOSTIC PROCEDURE 2


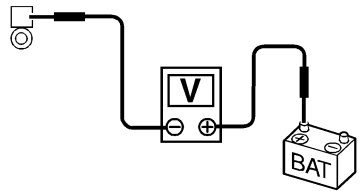
### Check "B" Terminal Circuit

=NASC0020S04

NASC0020S0401

<b>1</b>	<b>CHECK "B" TERMINAL CONNECTION</b>	
Check to see if "B" terminal is clean and tight.		
<b>OK or NG</b>		
OK	▶	GO TO 2. Confirm repair by performing complete Battery/Starting/Charging system test.
NG	▶	Repair "B" terminal connection.

<b>2</b>	<b>CHECK ALTERNATOR "B" TERMINAL CIRCUIT</b>	
Check voltage between alternator terminal B and ground using a digital circuit tester.		
<div style="display: flex; align-items: center;"> <div style="margin-right: 20px;">  <p>Alternator connector (E107)</p>  </div> <div style="margin-left: 20px;"> <p><b>Battery voltage should exist.</b></p> </div> </div>		
SEL425X		
<b>OK or NG</b>		
OK	▶	GO TO 3.
NG	▶	<b>Check the following.</b> <ul style="list-style-type: none"> <li>● 120A fusible link (letter <b>a</b>, located in fuse and fusible link box)</li> <li>● Harness for open or short between alternator and fusible link</li> </ul>

<b>3</b>	<b>CHECK "B" TERMINAL CONNECTION QUALITY (VOLTAGE DROP TEST)</b>	
Check voltage between alternator terminal B and battery positive terminal using a digital tester.		
<div style="display: flex; align-items: center;"> <div style="margin-right: 20px;">  <p>Alternator connector (E107)</p>  </div> <div style="margin-left: 20px;"> <p>When the engine running at idle and warm, <b>Voltage: Less than 0.2V</b></p> </div> </div>		
SEL426X		
<b>OK or NG</b>		
OK	▶	Replace the alternator. Confirm repair by performing complete Battery/Starting/Charging system test.
NG	▶	Check harness between the battery and the alternator for poor continuity.

GI  
MA  
EM  
LC  
EC  
FE  
CL  
MT  
AT  
TF  
PD  
AX  
SU  
BR  
ST  
RS  
BT  
HA  
SC  
EL  
IDX

# CHARGING SYSTEM

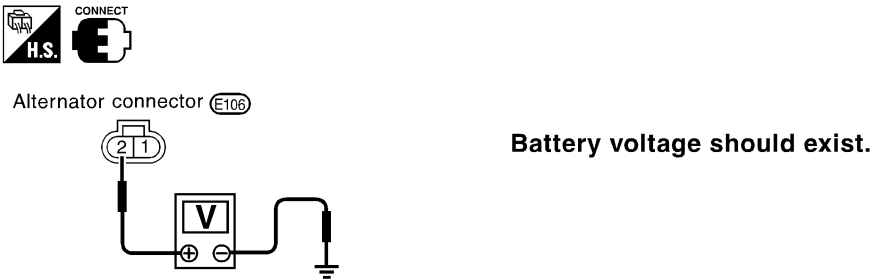
Trouble Diagnoses with Battery/Starting/Charging System Tester (Cont'd)

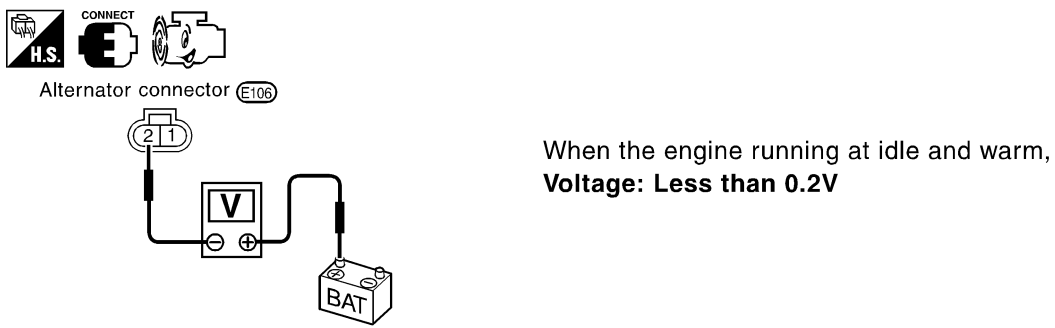
## DIAGNOSTIC PROCEDURE 3 Check "S" Terminal Circuit

=NASC0020S05

NASC0020S0501

<b>1</b>	<b>CHECK "S" TERMINAL CONNECTION</b>	
Check to see if "S" terminal is clean and tight.		
<b>OK or NG</b>		
OK	▶	GO TO 2.
NG	▶	Repair "S" terminal connection. Confirm repair by performing complete Battery/Starting/Charging system test.

<b>2</b>	<b>CHECK ALTERNATOR "S" TERMINAL CIRCUIT</b>	
Check voltage between alternator terminal 2 and ground using a digital circuit tester.		
 <p style="text-align: center;"><b>Battery voltage should exist.</b></p>		
<b>OK or NG</b>		
OK	▶	GO TO 3.
NG	▶	<b>Check the following.</b> <ul style="list-style-type: none"> <li>● 7.5A fuse (No. 65, located in fuse and fusible link box)</li> <li>● Harness for open or short between alternator and fuse</li> </ul>

<b>3</b>	<b>CHECK "S" TERMINAL CONNECTION QUALITY (VOLTAGE DROP TEST)</b>	
Check voltage between alternator terminal 2 and battery positive terminal using a digital tester.		
 <p style="text-align: center;"><b>When the engine running at idle and warm, Voltage: Less than 0.2V</b></p>		
<b>OK or NG</b>		
OK	▶	Replace the alternator. Confirm repair by performing complete Battery/Starting/Charging system test.
NG	▶	Check harness between the battery and the alternator for poor continuity.

### MALFUNCTION INDICATOR

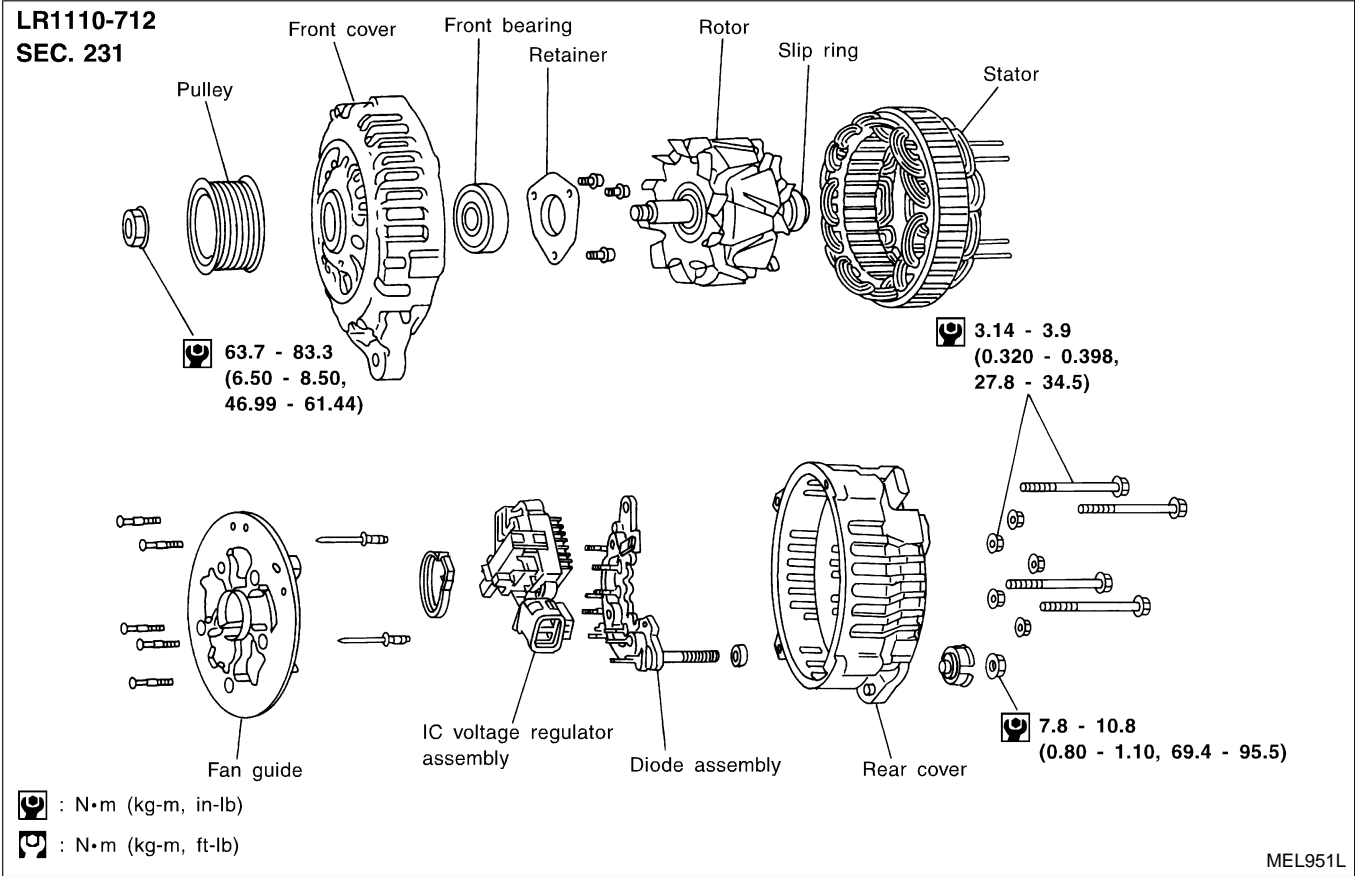
NASC0020S06

The IC regulator warning function activates to illuminate "CHARGE" warning lamp, if any of the following symptoms occur while alternator is operating:

- Excessive voltage is produced.
- No voltage is produced.

## Construction

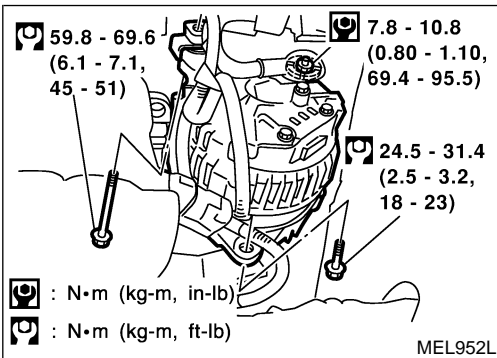
NASC0012



GI  
MA  
EM  
LC  
EC  
FE  
CL  
MT  
AT  
TF  
PD  
AX  
SU  
BR  
ST  
RS  
BT  
HA  
SC  
EL  
IDX

## Removal and Installation

NASC0013



# SERVICE DATA AND SPECIFICATIONS (SDS)

## Battery

<b>Battery</b>		
<small>NASC0022</small>		
Applied area	USA	Canada
Type	80D26R	
Capacity V-AH	12-65	
Cold cranking current A (For reference value)	582	

## Starter

<b>Starter</b>		
<small>NASC0023</small>		
Type	M0T50371	
	MITSUBISHI make	
	Reduction gear type	
System voltage	12V	
No-load	Terminal voltage	11.0V
	Current	Less than 90A
	Revolution	More than 2,700 rpm
Minimum diameter of commutator	28.8 mm (1.134 in)	
Minimum length of brush	7.0 mm (0.276 in)	
Brush spring tension	18.3 - 24.8 N (1.87 - 2.53 kg, 4.11 - 5.58 lb)	
Clearance between bearing metal and armature shaft	Less than 0.2 mm (0.008 in)	
Movement "ℓ" in height of pinion assembly	0.5 - 2.0 mm (0.020 - 0.079 in)	

## Alternator

<b>Alternator</b>	
<small>NASC0024</small>	
Type	LR1110-712
	HITACHI make
Nominal rating	12V-110A
Ground polarity	Negative
Minimum revolution under no-load (When 13.5 volts is applied)	Less than 1,000 rpm
Hot output current (When 13.5 volts is applied)	More than 35A/1,300 rpm More than 85A/2,500 rpm More than 110A/5,000 rpm
Regulated output voltage	14.1 - 14.7V
Minimum length of brush	More than 6.0 mm (0.236 in)
Brush spring pressure	1.0 - 3.43 N (102 - 350 g, 3.60 - 12.34 oz)
Slip ring minimum outer diameter	More than 26.0 mm (1.024 in)
Rotor (Field coil) resistance	2.31Ω