

SECTION **IP**  
INSTRUMENT PANEL

A  
B  
C  
D  
E  
F  
G  
H  
I  
IP  
K  
L  
M  
N  
O  
P

CONTENTS

<b>SYMPTOM DIAGNOSIS</b> .....	2	<b>PREPARATION</b> .....	10
<b>SQUEAK AND RATTLE TROUBLE DIAG- NOSES</b> .....	2	<b>PREPARATION</b> .....	10
Work Flow .....	2	Special Service Tools .....	10
Inspection Procedure .....	4	Commercial Service Tools .....	10
Diagnostic Worksheet .....	6	<b>ON-VEHICLE REPAIR</b> .....	11
<b>PRECAUTION</b> .....	8	<b>INSTRUMENT PANEL ASSEMBLY</b> .....	11
<b>PRECAUTIONS</b> .....	8	Exploded View .....	11
Precaution for Supplemental Restraint System (SRS) "AIR BAG" and "SEAT BELT PRE-TEN- SIONER" .....	8	Removal and Installation .....	12
Precaution Necessary for Steering Wheel Rota- tion after Battery Disconnect .....	8	<b>CENTER CONSOLE ASSEMBLY</b> .....	19
Precaution .....	9	Exploded View .....	19
		Removal and Installation .....	20

# SQUEAK AND RATTLE TROUBLE DIAGNOSES

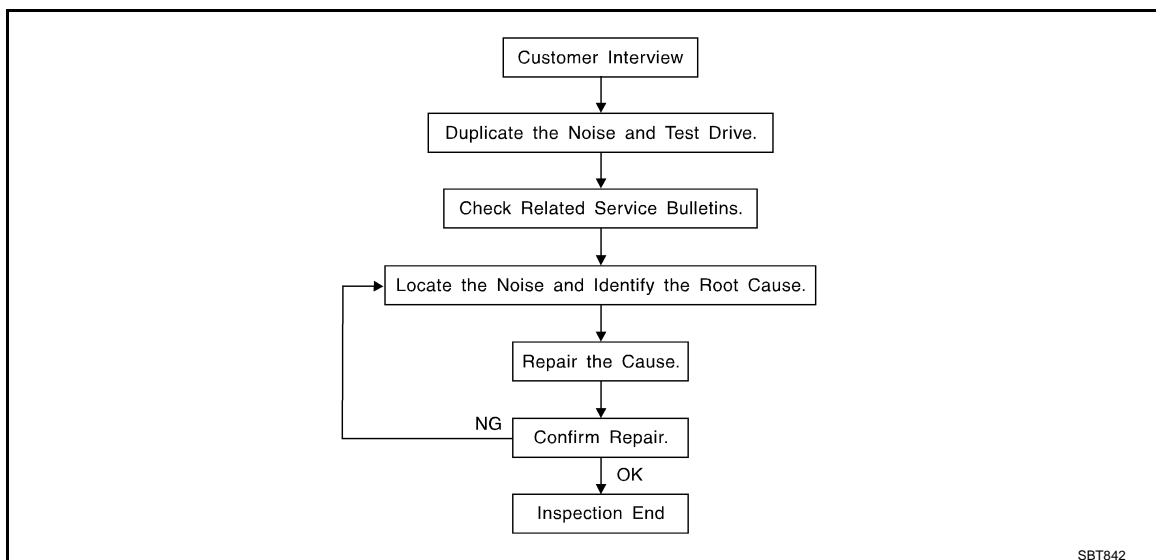
< SYMPTOM DIAGNOSIS >

## SYMPTOM DIAGNOSIS

### SQUEAK AND RATTLE TROUBLE DIAGNOSES

#### Work Flow

INFOID:000000004754828



#### CUSTOMER INTERVIEW

Interview the customer if possible, to determine the conditions that exist when the noise occurs. Use the Diagnostic Worksheet during the interview to document the facts and conditions when the noise occurs and any customer comments. Refer to [IP-6. "Diagnostic Worksheet"](#). This information is necessary to duplicate the conditions that exist when the noise occurs.

- The customer may not be able to provide a detailed description or the location of the noise. Attempt to obtain all the facts and conditions that exist when the noise occurs (or does not occur).
- If there is more than one noise in the vehicle, perform a diagnosis and repair the noise that the customer is concerned about. This can be accomplished by performing a test drive with the customer.
- After identifying the type of noise, isolate the noise in terms of its characteristics. The noise characteristics are provided so that the customer, service adviser, and technician use the same language when describing the noise.
- Squeak – (Like tennis shoes on a clean floor)  
Squeak characteristics include the light contact / fast movement / brought on by road conditions / hard surfaces = high-pitched noise / softer surfaces = low-pitched noises / edge to surface = chirping
- Creak – (Like walking on an old wooden floor)  
Creak characteristics include firm contact / slow movement/twisting with a rotational movement / pitch dependent on materials / often brought on by activity.
- Rattle – (Like shaking a baby rattle)  
Rattle characteristics include fast repeated contact / vibration or similar movement / loose parts/missing clip or fastener / incorrect clearance.
- Knock – (Like a knock on a door)  
Knock characteristics include hollow sounds / sometimes repeating / often brought on by driver action.
- Tick – (Like a clock second hand)  
Tick characteristics include gentle contacting of light materials / loose components / can be caused by driver action or road conditions.
- Thump – (Heavy, muffled knock noise)  
Thump characteristics include softer knock / dull sounds often brought on by activity.
- Buzz – (Like a bumblebee)  
Buzz characteristics include high frequency rattle / firm contact.
- Often the degree of acceptable noise level varies depending upon the person. A noise that a technician may judge as acceptable may be very irritating to a customer.
- Weather conditions, especially humidity and temperature, may have a great effect on noise level.

#### DUPLICATE THE NOISE AND TEST DRIVE

# SQUEAK AND RATTLE TROUBLE DIAGNOSES

## < SYMPTOM DIAGNOSIS >

If possible, drive the vehicle with the customer until the noise is duplicated. Note any additional information on the Diagnostic Worksheet regarding the conditions or location of the noise. This information can be used to duplicate the same conditions when the repair is reconfirmed.

If the noise can be duplicated easily during the test drive, to help identify the source of the noise, try to duplicate the noise with the vehicle stopped by doing one or all of the following items:

- 1) Close a door.
  - 2) Tap or push/pull around the area where the noise appears to be coming from.
  - 3) Rev the engine.
  - 4) Use a floor jack to recreate vehicle "twist".
  - 5) At idle, apply engine load (electrical load, half-clutch on M/T models, drive position on A/T models).
  - 6) Raise the vehicle on a hoist and hit a tire with a rubber hammer.
- Drive the vehicle and attempt to duplicate the conditions the customer states exist when the noise occurs.
  - If it is difficult to duplicate the noise, drive the vehicle slowly on an undulating or rough road to stress the vehicle body.

## CHECK RELATED SERVICE BULLETINS

After verifying the customer concern or symptom, check ASIST for Technical Service Bulletins (TSBs) related to the concern or symptom.

If a TSB relates to the symptom, follow the procedure to repair the noise.

## LOCATE THE NOISE AND IDENTIFY THE ROOT CAUSE

1. Narrow down the noise to a general area. To help pinpoint the source of the noise, use a listening tool (Chassis ear: J-39570, engine ear, and mechanics stethoscope).
2. Narrow down the noise to a more specific area and identify the cause of the noise by:
  - Removing the component(s) in the area that is / are suspected to be the cause of the noise. Do not use too much force when removing clips and fasteners, otherwise clips and fasteners can be broken or lost during the repair, resulting in the creation of new noise.
  - Tapping or pushing/pulling the component(s) that is / are suspected to be the cause of the noise. Do not tap or push/pull the component(s) with excessive force, otherwise the noise is eliminated only temporarily.
  - Feeling for a vibration by hand by touching the component(s) that is / are suspected to be the cause of the noise.
  - Placing a piece of paper between components that are suspected to be the cause of the noise.
  - Looking for loose components and contact marks.  
Refer to [IP-4, "Inspection Procedure"](#).

## REPAIR THE CAUSE

- If the cause is a loose component, tighten the component securely.
- If the cause is insufficient clearance between components:
  - Separate components by repositioning or loosening and retightening the components, if possible.
  - Insulate components with a suitable insulator such as urethane pads, foam blocks, felt cloth tape, or urethane tape. A NISSAN Squeak and Rattle Kit (J-43980) is available through the authorized NISSAN Parts Department.

### **CAUTION:**

**Never use excessive force as many components are constructed of plastic and may be damaged.**

### **NOTE:**

Always check with the Parts Department for the latest parts information.

The following materials are contained in the NISSAN Squeak and Rattle Kit (J-43980). Each item can be ordered separately as needed.

URETHANE PADS [1.5 mm (0.059 in) thick]

Insulates connectors, harness, etc.

- 76268-9E005: 100 × 135 mm (3.937 × 5.315 in)
- 76884-71L01: 60 × 85 mm (2.362 × 3.346 in)
- 76884-71L02: 15 × 25 mm (0.591 × 0.984 in)

INSULATOR (Foam blocks)

Insulates components from contact. Can be used to fill space behind a panel.

- 73982-9E000: 45 mm (1.772 in) thick, 50 × 50 mm (1.969 × 1.969 in)
- 73982-50Y00: 10 mm (0.394 in) thick, 50 × 50 mm (1.969 × 1.969 in)

INSULATOR (Light foam block)

80845-71L00: 30 mm (1.18 in) thick, 30 × 50 mm (1.181 × 1.969in)

FELT CLOTHTAPE

# SQUEAK AND RATTLE TROUBLE DIAGNOSES

## < SYMPTOM DIAGNOSIS >

---

Used to insulate where movement does not occur. Ideal for instrument panel applications.

- 68370-4B000: 15 × 25 mm (0.591 × 0.984 in) pad
- 68239-13E00: 5 mm (0.197 in) wide tape roll

The following materials, not found in the kit, can also be used to repair squeaks and rattles.

### UHMW (TEFLON) TAPE

Insulates where slight movement is present. Ideal for instrument panel applications.

### SILICONE GREASE

Used in place of UHMW tape that is visible or does not fit. Only lasts a few months.

### SILICONE SPRAY

Used when grease cannot be applied.

### DUCT TAPE

Used to eliminate movement.

## CONFIRM THE REPAIR

After repair is complete, test drive the vehicle to confirm that the cause of noise is repaired by test driving the vehicle. Operate the vehicle under the same conditions as when the noise originally occurred. Refer to the notes on the Diagnostic Worksheet.

## Inspection Procedure

INFOID:000000004754829

Refer to Table of Contents for specific component removal and installation information.

## INSTRUMENT PANEL

Most incidents are caused by contact and movement between:

1. The cluster lid A and instrument panel
2. Acrylic lens and combination meter housing
3. Instrument panel to front pillar garnish
4. Instrument panel to windshield
5. Instrument panel mounting pins
6. Wiring harnesses behind the combination meter
7. A/C defroster duct and duct joint

These incidents can usually be located by tapping or moving the components to duplicate the noise or by pressing on the components while driving to stop the noise. Most of these incidents can be repaired by applying felt cloth tape or silicon spray (in hard to reach areas). Urethane pads can be used to insulate wiring harness.

### **CAUTION:**

**Never use silicone spray to isolate a squeak or rattle. If the area is saturated with silicone, the recheck of repair becomes impossible.**

## CENTER CONSOLE

Components to check include:

1. Shifter assembly cover to finisher
2. A/C control unit and cluster lid C
3. Wiring harnesses behind audio and A/C control unit

The instrument panel repair and isolation procedures also apply to the center console.

## DOORS

Check the following items:

1. Finisher and inner panel making a slapping noise
2. Inside handle escutcheon connection to door finisher
3. Wiring harnesses tapping
4. Door striker out of alignment causing a popping noise on starts and stops

Tapping, moving the components, or pressing on them while driving to duplicate the conditions can isolate many of these incidents. The areas can usually be insulated with felt cloth tape or insulator foam blocks from the NISSAN Squeak and Rattle Kit (J-43980) to repair the noise.

## TRUNK

Trunk noises are often caused by a loose jack or loose items put into the trunk by the customer.

In addition check for the following items:

# SQUEAK AND RATTLE TROUBLE DIAGNOSES

## < SYMPTOM DIAGNOSIS >

---

1. Trunk lid dumpers out of adjustment
2. Trunk lid striker out of adjustment
3. Trunk lid torsion bars knocking together
4. A loose license plate or bracket

Most of these incidents can be repaired by adjusting, securing, or insulating the item(s) or component(s) causing the noise.

## SUNROOF/HEADLINING

Noises in the sunroof / headlining area can often be traced to one of the following items:

1. Sunroof lid, rail, linkage, or seals making a rattle or light knocking noise
2. Sunvisor shaft shaking in the holder
3. Front or rear windshield touching headlining and squeaking

Again, pressing on the components to stop the noise while duplicating the conditions can isolate most of these incidents. Repairs usually consist of insulating with felt cloth tape.

## SEATS

When isolating seat noise it is important to note the position the seat is in and the load placed on the seat when the noise occurs. These conditions should be duplicated when verifying and isolating the cause of the noise.

Causes of seat noise include:

1. Headrest rods and holder
2. A squeak between the seat pad cushion and frame
3. The rear seatback lock and bracket

These noises can be isolated by moving or pressing on the suspected components while duplicating the conditions under which the noise occurs. Most of these incidents can be repaired by repositioning the component or applying urethane tape to the contact area.

## UNDERHOOD

Some interior noise may be caused by components under the hood or on the engine wall. The noise is then transmitted into the passenger compartment.

Causes of transmitted underhood noise include:

1. Any component mounted to the engine wall
2. Components that pass through the engine wall
3. Engine wall mounts and connectors
4. Loose radiator mounting pins
5. Hood bumpers out of adjustment
6. Hood striker out of adjustment

These noises can be difficult to isolate since they cannot be reached from the interior of the vehicle. The best method is to secure, move, or insulate one component at a time and test drive the vehicle. Also, engine RPM or load can be changed to isolate the noise. Repairs can usually be made by moving, adjusting, securing, or insulating the component causing the noise.

A

B

C

D

E

F

G

H

I

IP

K

L

M

N

O

P

# SQUEAK AND RATTLE TROUBLE DIAGNOSES

< SYMPTOM DIAGNOSIS >

## Diagnostic Worksheet

INFOID:000000004754830



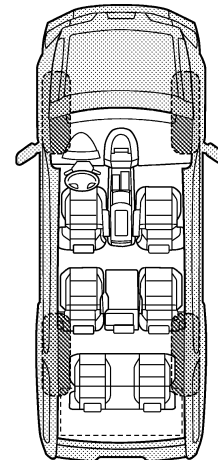
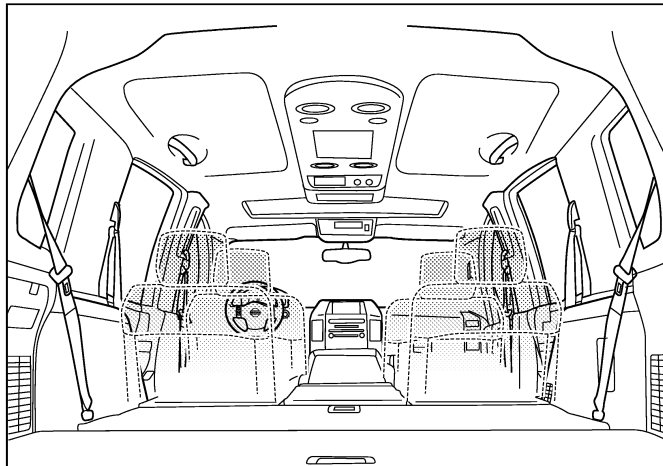
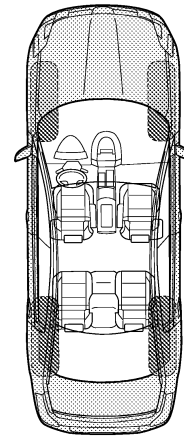
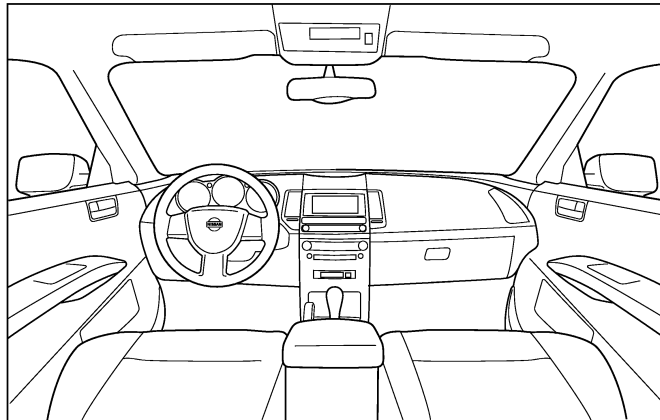
### SQUEAK & RATTLE DIAGNOSTIC WORKSHEET

Dear Nissan Customer:

We are concerned about your satisfaction with your Nissan vehicle. Repairing a squeak or rattle sometimes can be very difficult. To help us fix your Nissan right the first time, please take a moment to note the area of the vehicle where the squeak or rattle occurs and under what conditions. You may be asked to take a test drive with a service advisor or technician to ensure we confirm the noise you are hearing.

#### I. WHERE DOES THE NOISE COME FROM? (circle the area of the vehicle)

The illustrations are for reference only, and may not reflect the actual configuration of your vehicle.



Continue to page 2 of the worksheet and briefly describe the location of the noise or rattle. In addition, please indicate the conditions which are present when the noise occurs.

PIIB8740E

# SQUEAK AND RATTLE TROUBLE DIAGNOSES

< SYMPTOM DIAGNOSIS >

## SQUEAK & RATTLE DIAGNOSTIC WORKSHEET - page 2

Briefly describe the location where the noise occurs:

---

---

### II. WHEN DOES IT OCCUR? (please check the boxes that apply)

- |   |  |
|---|--|
| <input type="checkbox"/> anytime                      | <input type="checkbox"/> after sitting out in the rain |
| <input type="checkbox"/> 1st time in the morning      | <input type="checkbox"/> when it is raining or wet     |
| <input type="checkbox"/> only when it is cold outside | <input type="checkbox"/> dry or dusty conditions       |
| <input type="checkbox"/> only when it is hot outside  | <input type="checkbox"/> other: _____                  |

### III. WHEN DRIVING:

- through driveways
- over rough roads
- over speed bumps
- only about \_\_\_\_ mph
- on acceleration
- coming to a stop
- on turns: left, right or either (circle)
- with passengers or cargo
- other: \_\_\_\_\_
- after driving \_\_\_\_ miles or \_\_\_\_ minutes

### IV. WHAT TYPE OF NOISE

- squeak (like tennis shoes on a clean floor)
- creak (like walking on an old wooden floor)
- rattle (like shaking a baby rattle)
- knock (like a knock at the door)
- tick (like a clock second hand)
- thump (heavy, muffled knock noise)
- buzz (like a bumble bee)

### TO BE COMPLETED BY DEALERSHIP PERSONNEL

#### Test Drive Notes:

---

---

---

	YES	NO	Initials of person performing
Vehicle test driven with customer	<input type="checkbox"/>	<input type="checkbox"/>	_____
- Noise verified on test drive	<input type="checkbox"/>	<input type="checkbox"/>	_____
- Noise source located and repaired	<input type="checkbox"/>	<input type="checkbox"/>	_____
- Follow up test drive performed to confirm repair	<input type="checkbox"/>	<input type="checkbox"/>	_____

VIN: \_\_\_\_\_ Customer Name: \_\_\_\_\_  
W.O.# \_\_\_\_\_ Date: \_\_\_\_\_

This form must be attached to Work Order

PIIB8742E

A  
B  
C  
D  
E  
F  
G  
H  
I  
IP  
K  
L  
M  
N  
O  
P

# PRECAUTIONS

< PRECAUTION >

## PRECAUTION

### PRECAUTIONS

#### Precaution for Supplemental Restraint System (SRS) "AIR BAG" and "SEAT BELT PRE-TENSIONER"

INFOID:000000004754831

The Supplemental Restraint System such as "AIR BAG" and "SEAT BELT PRE-TENSIONER", used along with a front seat belt, helps to reduce the risk or severity of injury to the driver and front passenger for certain types of collision. This system includes seat belt switch inputs and dual stage front air bag modules. The SRS system uses the seat belt switches to determine the front air bag deployment, and may only deploy one front air bag, depending on the severity of a collision and whether the front occupants are belted or unbelted. Information necessary to service the system safely is included in the "SRS AIRBAG" and "SEAT BELT" of this Service Manual.

#### **WARNING:**

- **To avoid rendering the SRS inoperative, which could increase the risk of personal injury or death in the event of a collision which would result in air bag inflation, all maintenance must be performed by an authorized NISSAN/INFINITI dealer.**
- **Improper maintenance, including incorrect removal and installation of the SRS, can lead to personal injury caused by unintentional activation of the system. For removal of Spiral Cable and Air Bag Module, see the "SRS AIRBAG".**
- **Never use electrical test equipment on any circuit related to the SRS unless instructed to in this Service Manual. SRS wiring harnesses can be identified by yellow and/or orange harnesses or harness connectors.**

#### PRECAUTIONS WHEN USING POWER TOOLS (AIR OR ELECTRIC) AND HAMMERS

When working near the Airbag Diagnosis Sensor Unit or other Airbag System sensors while ignition switch is ON or engine is running, never use air or electric power tools or strike near the sensor(s) with a hammer. Heavy vibration may activate the sensor(s), deploy the airbag(s), possibly cause serious injury. When using air or electric power tools or hammers, always turn OFF ignition switch, disconnect the battery, and wait 3 minutes or more before performing any service.

#### Precaution Necessary for Steering Wheel Rotation after Battery Disconnect

INFOID:000000004754887

#### **NOTE:**

- Before removing and installing any control units, first turn the push-button ignition switch to the LOCK position, then disconnect both battery cables.
- After finishing work, confirm that all control unit connectors are connected properly, then re-connect both battery cables.
- Always use CONSULT-III to perform self-diagnosis as a part of each function inspection after finishing work. If a DTC is detected, perform trouble diagnosis according to self-diagnosis results.

This vehicle is equipped with a push-button ignition switch and a steering lock unit.

If the battery is disconnected or discharged, the steering wheel will lock and cannot be turned.

If turning the steering wheel is required with the battery disconnected or discharged, follow the procedure below before starting the repair operation.

#### OPERATION PROCEDURE

1. Connect both battery cables.

#### **NOTE:**

Supply power using jumper cables if battery is discharged.

2. Turn the push-button ignition switch to ACC position.  
(At this time, the steering lock will be released.)
3. Disconnect both battery cables. The steering lock will remain released with both battery cables disconnected and the steering wheel can be turned.
4. Perform the necessary repair operation.
5. When the repair work is completed, re-connect both battery cables. With the brake pedal released, turn the push-button ignition switch from ACC position to ON position, then to LOCK position. (The steering wheel will lock when the push-button ignition switch is turned to LOCK position.)
6. Perform self-diagnosis check of all control units using CONSULT-III.



# PRECAUTIONS

< PRECAUTION >

## Precaution

INFOID:000000004755089

- Disconnect battery negative terminal in advance.
- Disconnect air bag system line in advance.
- Never tamper with or force air bag lid open, as this may adversely affect air bag performance.
- Be careful not to scratch pad and other parts.
- When removing or disassembling any part, be careful not to damage or deform it. Protect parts, which may get in the way with a shop cloth.
- When removing parts with a screwdriver or other tool, cover the tool surface by vinyl tape to protect parts.
- Keep removed parts protected with a shop cloth.
- If a clip is deformed or damaged, replace it.
- If an un reusable part is removed, replace it with a new one.
- Tighten bolts and nuts firmly to the specified torque.
- After reassembly has been completed, make sure each part functions correctly.
- Remove stains in the following way.

Water-soluble stains:

Dip a soft cloth in warm water, and then squeeze it tightly. After wiping the stain, wipe with a soft dry cloth.

Oil stain:

Dissolve a synthetic detergent in warm water (density of 2 to 3%), dip the cloth, then clean off the stain with the cloth. Next, dip the cloth in fresh water and squeeze it tightly. Then clean off the detergent completely. Then wipe the area with a soft dry cloth.

- Never use any organic solvent, such as thinner or benzine.

A

B

C

D

E

F

G

H

I

IP

K

L

M

N

O

P

# PREPARATION

< PREPARATION >

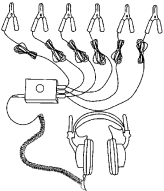
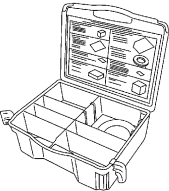
## PREPARATION

### PREPARATION

#### Special Service Tools

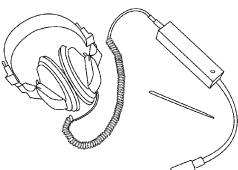
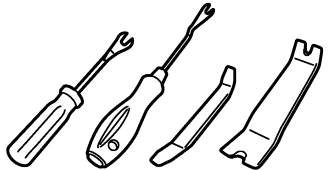
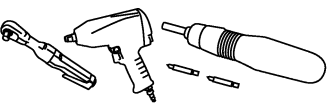
INFOID:000000004754888

The actual shapes of Kent-Moore tools may differ from those of special service tools illustrated here.

Tool number (Kent-Moore No.) Tool name	Description
<p>(J-39570) Chassis ear</p>  <p style="text-align: right;">SIIA0993E</p>	<p>Locates the noise</p>
<p>(J-43980) NISSAN Squeak and Rattle Kit</p>  <p style="text-align: right;">SIIA0994E</p>	<p>Repairs the cause of noise</p>

#### Commercial Service Tools

INFOID:000000004754889

Tool name	Description
<p>Engine ear</p>  <p style="text-align: right;">SIIA0995E</p>	<p>Locates the noise</p>
<p>Remover tool</p>  <p style="text-align: right;">JMKIA3050ZZ</p>	<p>Removes clips, pawls, and metal clips</p>
<p>Power tool</p>  <p style="text-align: right;">PIIB1407E</p>	

# INSTRUMENT PANEL ASSEMBLY

< ON-VEHICLE REPAIR >

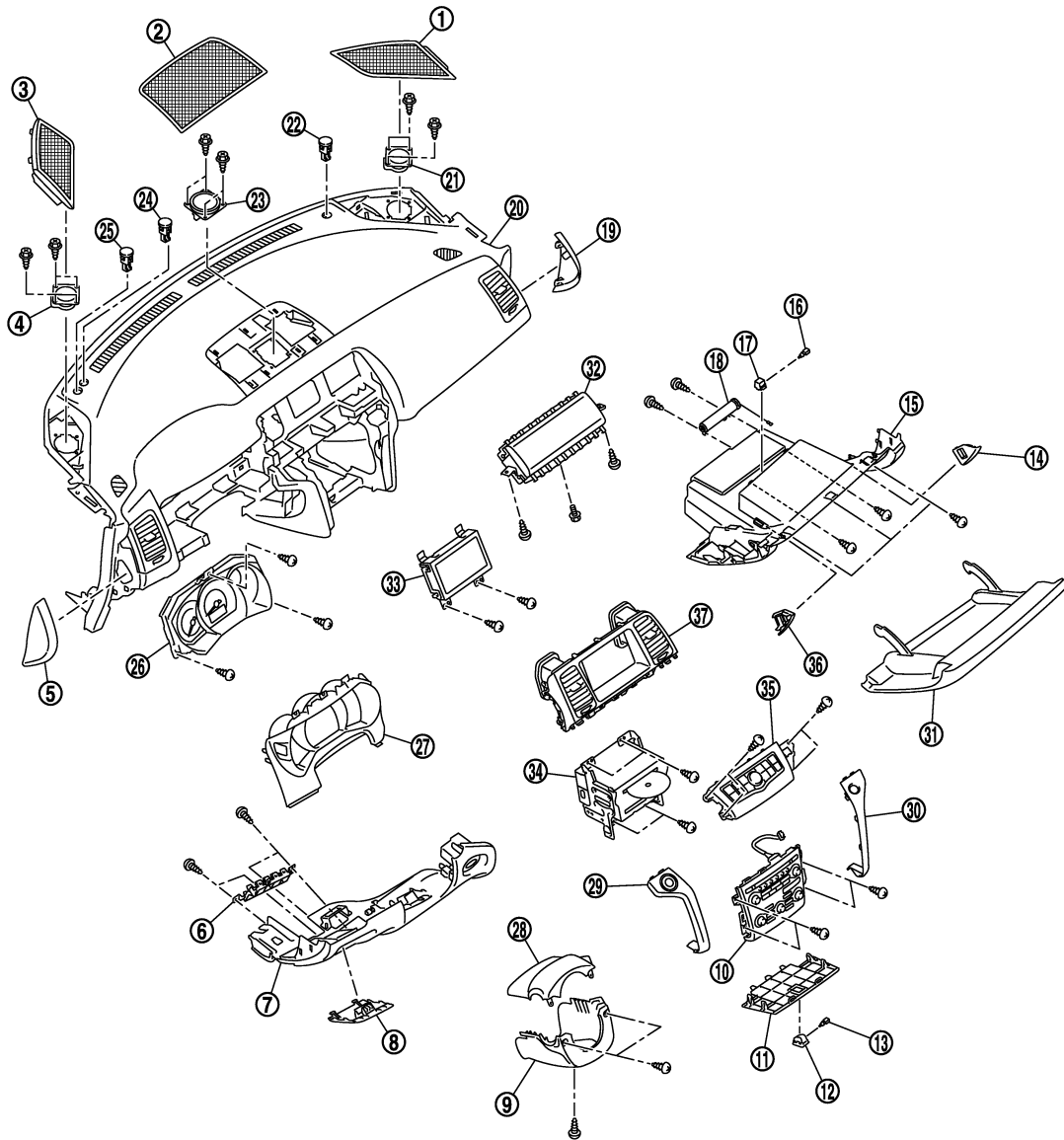
## ON-VEHICLE REPAIR

### INSTRUMENT PANEL ASSEMBLY

Exploded View

INFOID:000000003389831

SEC. 680



A  
B  
C  
D  
E  
F  
G  
H  
I  
IP  
K  
L  
M  
N  
O  
P

# INSTRUMENT PANEL ASSEMBLY

< ON-VEHICLE REPAIR >

- |                                 |                                |                                |
|---------------------------------|--------------------------------|--------------------------------|
| 1. Speaker grille RH            | 2. Center speaker grille       | 3. Speaker grille LH           |
| 4. Front squawker LH            | 5. Instrument side finisher LH | 6. Switch bracket              |
| 7. Instrument lower panel LH    | 8. Fuse block lid              | 9. Steering column lower cover |
| 10. Cluster lid C               | 11. Cluster lid C (lower)      | 12. Illumination lamp          |
| 13. Socket and bulb             | 14. Glove box striker RH       | 15. Instrument lower panel RH  |
| 16. Socket and bulb             | 17. Glove box lamp             | 18. Glove box dumper           |
| 19. Instrument side finisher RH | 20. Instrument panel assembly  | 21. Front squawker RH          |
| 22. Optical sensor              | 23. Center speaker             | 24. Sunload sensor             |
| 25. Security indicator          | 26. Combination meter          | 27. Cluster lid A              |
| 28. Steering column upper cover | 29. Instrument stay cover LH   | 30. Instrument stay cover RH   |
| 31. Glove box lid               | 32. Passenger air bag module   | 33. Display unit               |
| 34. AV C/U (audio unit)         | 35. Cluster lid D              | 36. Glove box striker LH       |
| 37. Center ventilator assembly  |                                |                                |

## Removal and Installation

INFOID:000000003350446

### WORK STEP

When removing instrument panel assembly, combination meter, AV C/U (audio unit), display unit take steps in the order shown by the number below.

PARTS	INSTRUMENT PANEL ASSEMBLY	COMBINATION METER	AV C/U (audio unit)	DISPLAY UNIT
Instrument side finisher LH	[1]	[1]		
Front body side welt LH	[2]			
Front pillar garnish LH	[3]			
Speaker grille LH	[4]			
Front squawker LH	[5]			
Instrument lower panel LH	[6]	[2]		
Steering wheel	[7]			
Steering column cover	[8]	[3]		
Combination switch	[9]			
Cluster lid A	[10]	[4]		
Combination meter	[11]	[5]		
Cluster lid C (lower)	[12]			
Instrument stay cover LH/RH	[13]		[1]	[1]
Cluster lid D	[14]		[2]	[2]
Cluster lid C	[15]		[3]	[3]
AV C/U (audio unit)	[16]		[4]	[4]
Center ventilator assembly	[17]			[5]
Display unit	[18]			[6]
Center speaker grille	[19]			
Center speaker	[20]			
Instrument side finisher RH	[21]			
Front body side welt RH	[22]			
Front pillar garnish RH	[23]			
Speaker grille RH	[24]			
Front squawker RH	[25]			

# INSTRUMENT PANEL ASSEMBLY


## < ON-VEHICLE REPAIR >

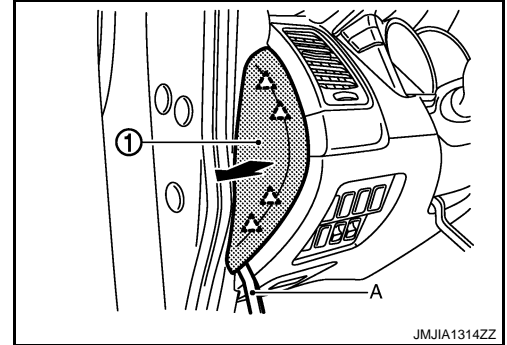
Instrument lower panel RH	[26]			
Instrument panel assembly	[27]			

[ ]: Number indicates step in removal procedures.


### REMOVAL

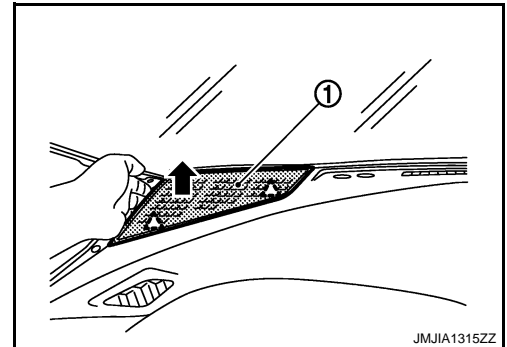
- Remove instrument side finisher LH.
  - Insert a remover tool (A) into lower space.
  - Pull the instrument side finisher LH (1) crosswise.

 : Pawl




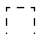
- Remove front body side welt LH. Refer to [INT-19, "Removal and Installation"](#).
- Remove front pillar garnish LH. Refer to [INT-19, "Removal and Installation"](#).
- Remove speaker grille LH.  
Pull up speaker grille LH (1).

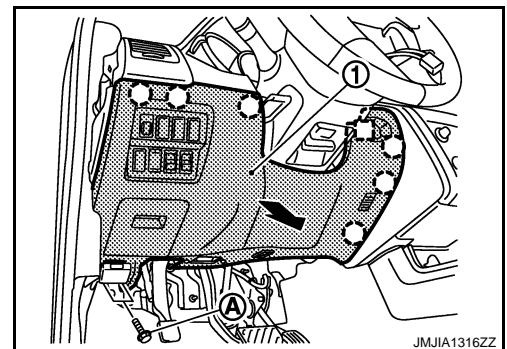
 : Pawl



- Remove front squawker LH. Refer to [AV-41, "Removal and Installation"](#).
- Remove vehicle security indicator. Refer to [SEC-239, "Removal and Installation"](#).
- Remove sunload sensor. Refer to [VTL-27, "Removal and Installation"](#).
- Remove instrument lower panel LH.
  - Remove hood opener lever fixing bolts (A).
  - Pull back instrument lower panel LH (1).
  - Release data link connector (pawl) then remove it from instrument lower panel LH.
  - Disconnect harness connectors and aspirator duct.

 : Clip

 : Metal clip



- Remove steering wheel. Refer to [ST-15, "Removal and Installation"](#).


A  
B  
C  
D  
E  
F  
G  
H  
I  
IP  
K  
L  
M  
N  
O  
P

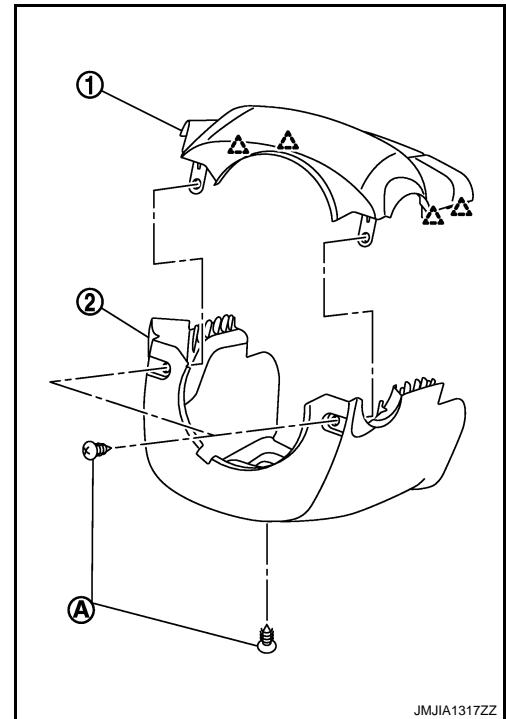
# INSTRUMENT PANEL ASSEMBLY

## < ON-VEHICLE REPAIR >

### 10. Remove steering column covers.

- Remove steering column cover fixing screws (A).
- Pull up steering column upper cover (1), and then remove steering column upper cover.
- Pull down steering column lower cover (2), and then remove steering column lower cover.


 : Pawl




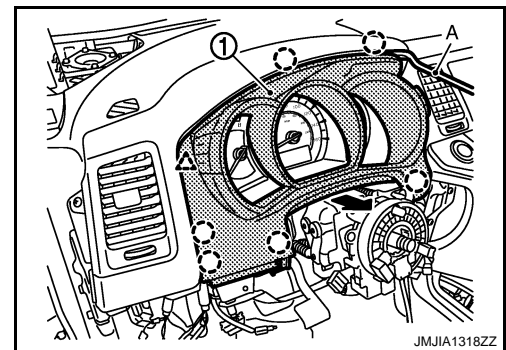
### 11. Remove combination switch. Refer to [BCS-97, "Removal and Installation"](#).

### 12. Remove cluster lid A.

- Pull back cluster lid A (1), and disengage clips and pawl.
- Remove cluster lid A.

 : Clip


 : Pawl




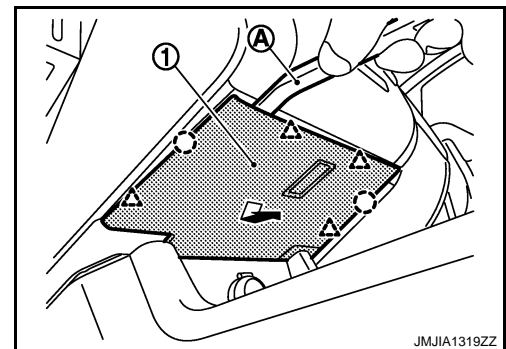
### 13. Remove combination meter. Refer to [MWI-145, "Removal and Installation"](#).

### 14. Remove cluster lid C (lower).

- Disengage cluster lid C (lower) (1) fixing clips and pawls with remover tool (A).
- Pull down cluster lid C (lower).
- Disconnect illumination lamp harness connector.

 : Clip

 : Pawl

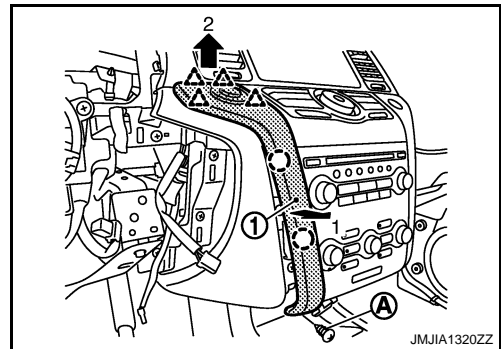
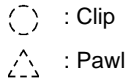


# INSTRUMENT PANEL ASSEMBLY

## < ON-VEHICLE REPAIR >

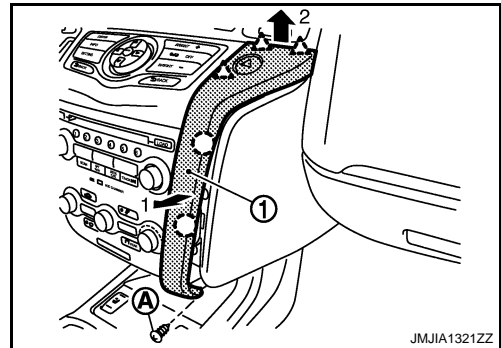
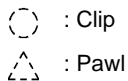
### 15. Remove instrument stay cover LH.

- Remove instrument stay cover LH (1) fixing screw (A).
- Disengage instrument stay cover LH fixing clips and pawls with remover tool.
- Pull back and pull up instrument stay cover LH.
- Disconnect push button ignition switch harness connector



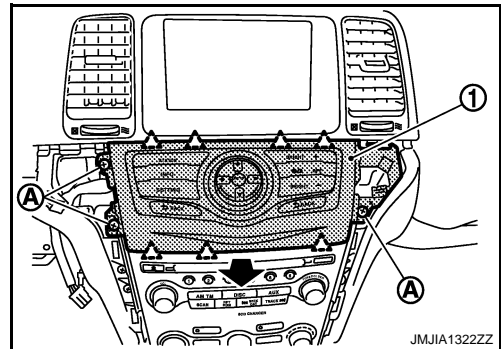
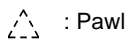
### 16. Remove instrument stay cover RH.

- Remove instrument stay cover RH (1) fixing screw (A).
- Disengage instrument stay cover RH fixing clips and pawls with remover tool.
- Pull back and pull up instrument stay cover RH.
- Disconnect hazard switch harness connector.



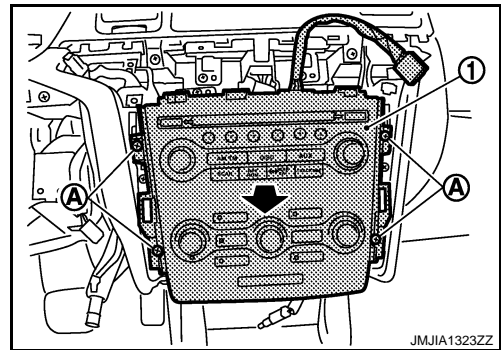
### 17. Remove cluster lid D.

- Remove cluster lid D (1) fixing screws (A).
- Pull back cluster lid D.
- Disconnect harness connector.



### 18. Remove cluster lid C.

- Remove cluster lid C (1) fixing screws (A).
- Pull back cluster lid C.
- Disconnect harness connectors.



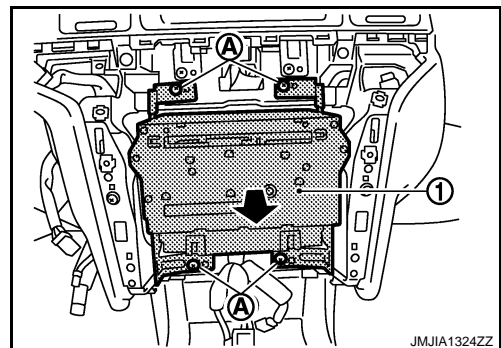
### 19. Remove AV C/U. (with BOSE audio)

Refer to [AV-522, "Removal and Installation"](#).

- Remove AV C/U (1) fixing screws (A).
- Pull back AV C/U.
- Disconnect harness connectors.

### 20. Remove audio unit. (with BASE audio)

Refer to [AV-37, "Removal and Installation"](#).



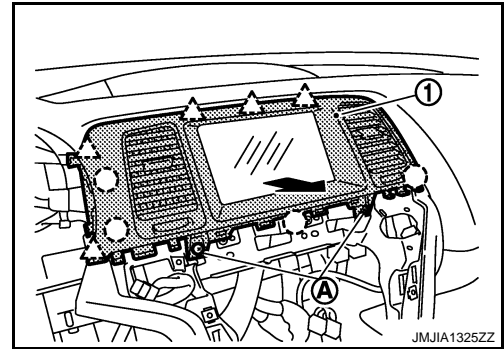
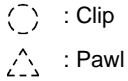
A  
B  
C  
D  
E  
F  
G  
H  
I  
IP  
K  
L  
M  
N  
O  
P

# INSTRUMENT PANEL ASSEMBLY

## < ON-VEHICLE REPAIR >

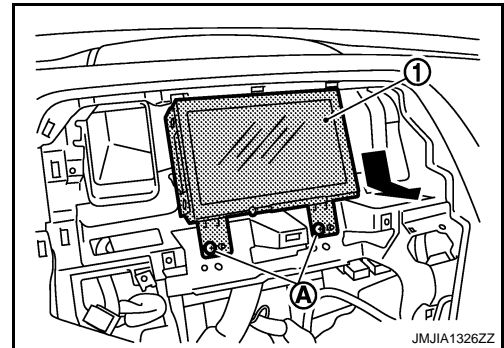
### 21. Remove center ventilator assembly.

- Remove center ventilator assembly (1) fixing screws (A).
- Pull back center ventilator assembly.



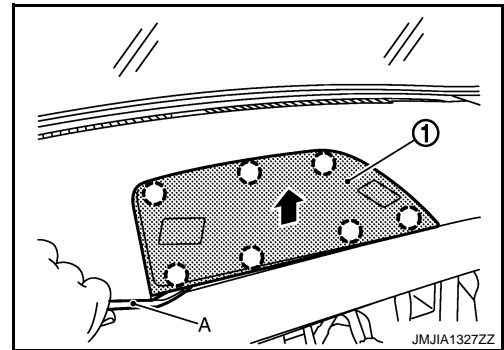
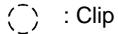
### 22. Remove display unit.

- Remove display unit (1) fixing screws (A).
- Pull toward the arrow direction.
- Disconnect harness connector.



### 23. Remove center speaker grille.

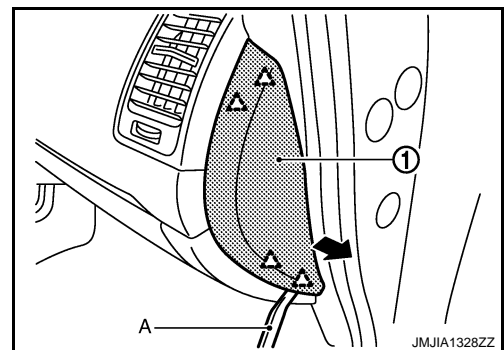
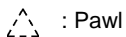
- Disengage center speaker grille (1) fixing clips with remover tool (A).
- Pull up center speaker grille.



### 24. Remove center speaker. (with BOSE audio) Refer to [AV-531, "Removal and Installation"](#).

### 25. Remove instrument side finisher RH.

- Insert a remover tool (A) into lower space.
- Pull the instrument side finisher RH (1) crosswise.



### 26. Remove front body side welt RH. Refer to [INT-19, "Removal and Installation"](#).


### 27. Remove front pillar garnish RH. Refer to [INT-19, "Removal and Installation"](#).

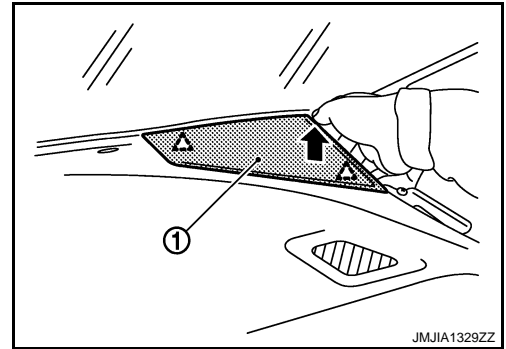


# INSTRUMENT PANEL ASSEMBLY

## < ON-VEHICLE REPAIR >


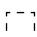
28. Remove speaker grille RH.  
Pull up speaker grille RH (1).

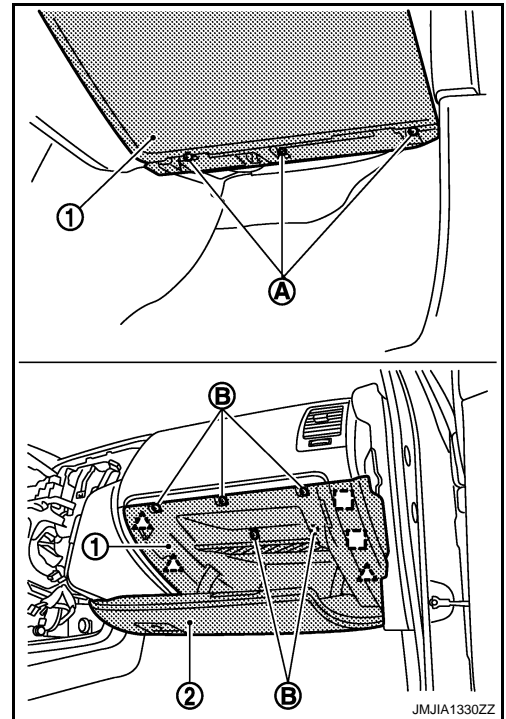
 : Pawl



JMJIA1329ZZ

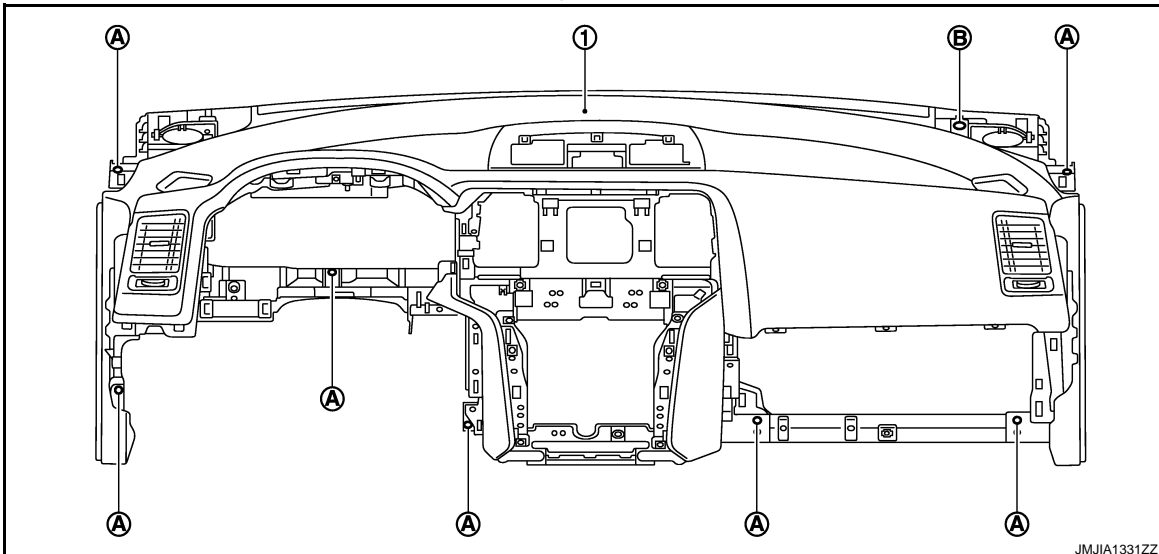
29. Remove front squawker RH. Refer to [AV-41, "Removal and Installation"](#).  
30. Remove optical sensor. (with XENON headlamp) Refer to [EXL-178, "Removal and Installation"](#).  
31. Remove instrument lower panel RH.  
  - Remove instrument lower panel RH (1) fixing screws (A).
  - Open the glove box lid (2).
  - Remove instrument lower panel RH fixing screws (B).
  - Pull back instrument lower panel RH.
  - Disconnect harness connector.

 : Pawl  
 : Metal clip



JMJIA1330ZZ

32. Disconnect front passenger air bag module connector. Refer to [SR-11, "Exploded View"](#).  
33. Remove front passenger air bag module fixing bolt. Refer to [SR-11, "Exploded View"](#).  
34. Remove instrument panel assembly (1) mounting screws (A) and bolt (B).



JMJIA1331ZZ

# INSTRUMENT PANEL ASSEMBLY

## < ON-VEHICLE REPAIR >

---

35. Remove instrument panel assembly.

**CAUTION:**

- Cover center console upper surface with a shop cloth to prevent it from being damaged.
- When removing instrument panel assembly, 2 workers are required so as to prevent it from dropping.

36. Remove the following parts after removing instrument panel assembly.

- Passenger air bag module. Refer to [SR-11, "Removal and Installation"](#).
- Ventilator duct. Refer to [VTL-50, "VENTILATOR DUCT : Removal and Installation"](#).
- Upper ventilator duct. Refer to [VTL-51, "UPPER VENTILATOR DUCT : Removal and Installation"](#).
- Defroster nozzle and side defroster nozzle LH/RH. Refer to [VTL-52, "DEFROSTER NOZZLE AND SIDE DEFROSTER NOZZLE : Removal and Installation"](#).
- Side defroster grille LH/RH. Refer to [VTL-49, "SIDE DEFROSTER GRILLE : Removal and Installation"](#).
- Side ventilator grille LH/RH. Refer to [VTL-47, "SIDE VENTILATOR GRILLE : Removal and Installation"](#).
- Antenna feeder. Refer to [AV-44, "Harness Layout"](#).

## INSTALLATION

Install in the reverse order of removal.

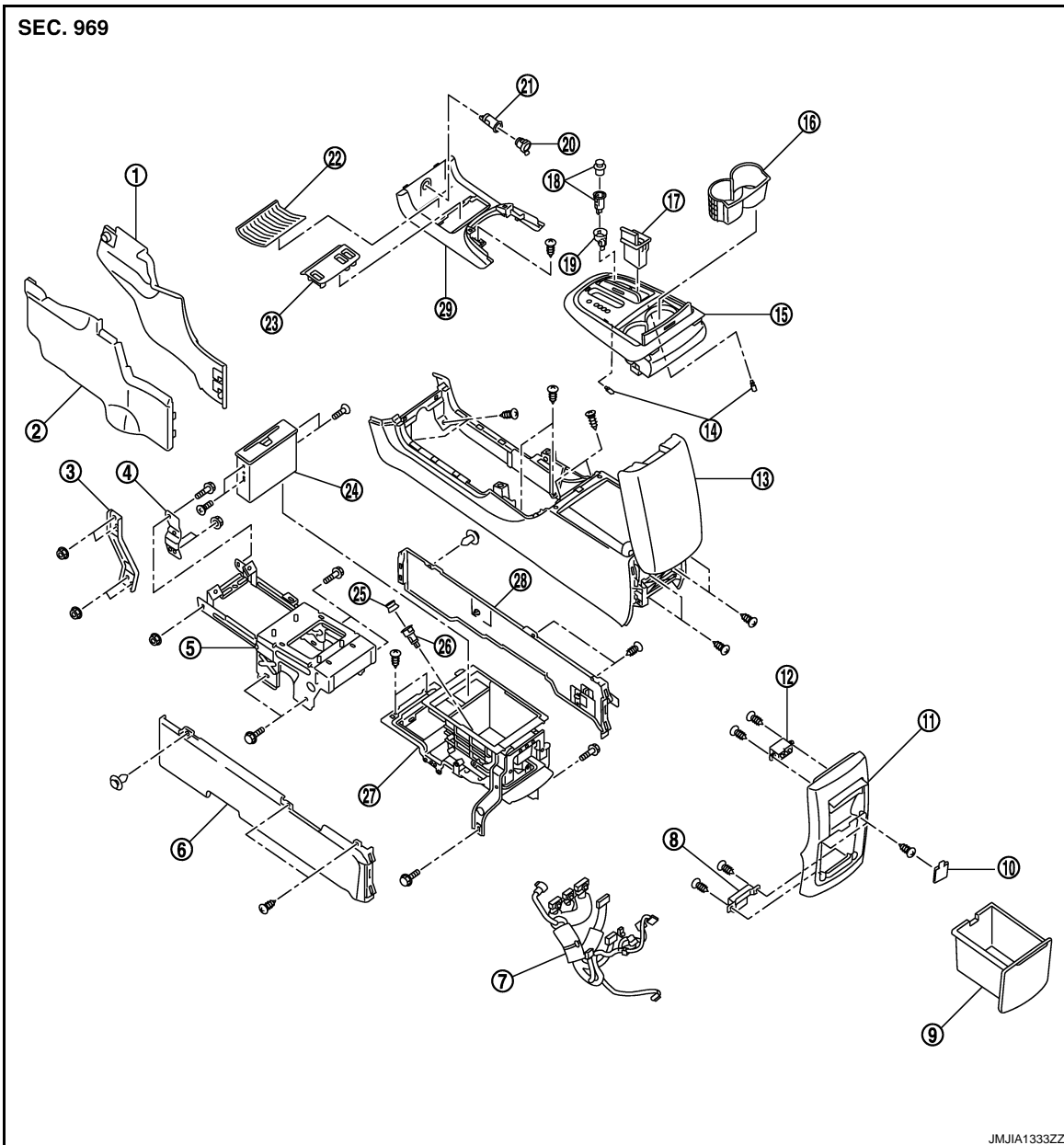
# CENTER CONSOLE ASSEMBLY

< ON-VEHICLE REPAIR >

## CENTER CONSOLE ASSEMBLY

Exploded View

INFOID:000000003350447



- |                               |                              |                                |
|-------------------------------|------------------------------|--------------------------------|
| 1. Instrument lower cover RH  | 2. Instrument lower cover LH | 3. Instrument stay LH          |
| 4. Front console bracket      | 5. Console reinforcement     | 6. Lower console finisher LH   |
| 7. Console harness            | 8. Inside key antenna        | 9. Rear console pocket         |
| 10. Console mask              | 11. Console rear finisher    | 12. Auxiliary input jacks      |
| 13. Center console assembly   | 14. Socket and bulb          | 15. Console finisher assembly  |
| 16. Cup holder assembly       | 17. Ashtray                  | 18. Cigarette lighter complete |
| 19. Cigarette lighter ring    | 20. Socket knob              | 21. Socket inner case          |
| 22. Console mat               | 23. Console switch finisher  | 24. DVD unit                   |
| 25. Socket knob               | 26. Socket inner case        | 27. Lower console assembly     |
| 28. Lower console finisher RH | 29. Front console pocket     |                                |

# CENTER CONSOLE ASSEMBLY

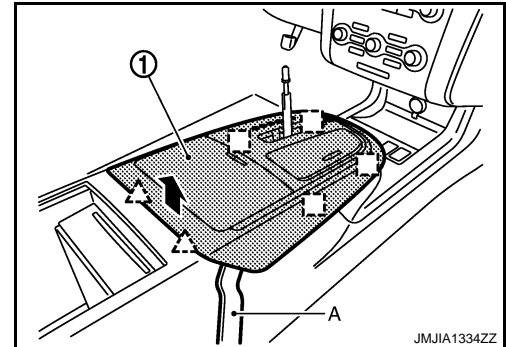
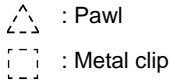
< ON-VEHICLE REPAIR >

## Removal and Installation

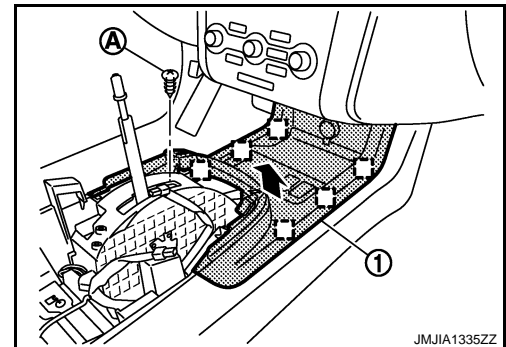
INFOID:000000003350448

### REMOVAL

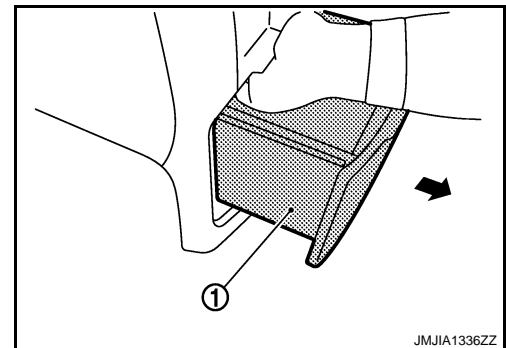
1. Remove selector lever knob. Refer to [TM-165, "Removal and Installation"](#).
2. Remove console finisher assembly.
  - Open the console lid.
  - Remove console finisher assembly (1) fixing pawls and metal clips with remover tool (A).
  - Pull up console finisher assembly.
  - Disconnect harness connectors.



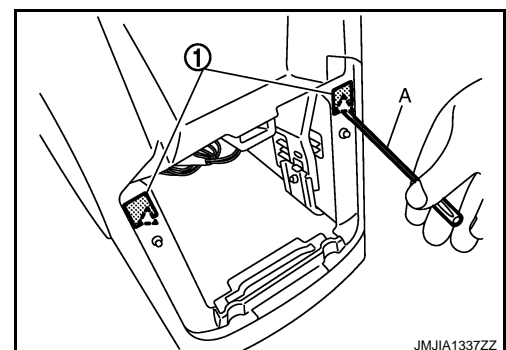
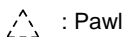
3. Remove front console pocket.
  - Remove front console pocket (1) fixing screw (A).
  - Pull up front console pocket, and then disengage metal clips.
  - Disconnect harness connectors.



4. Remove rear console pocket.
  - Open the rear console pocket (1).
  - Release rear console pocket lock.



5. Remove console rear finisher.
  - Remove console mask (1) with flat-bladed screwdriver (A).

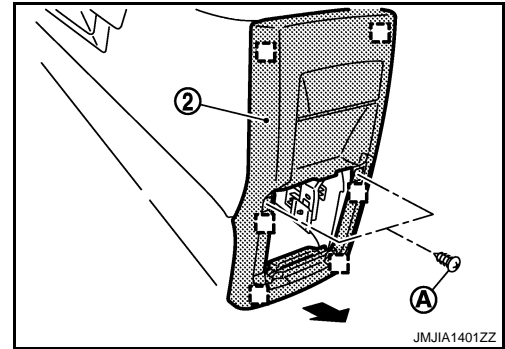


# CENTER CONSOLE ASSEMBLY

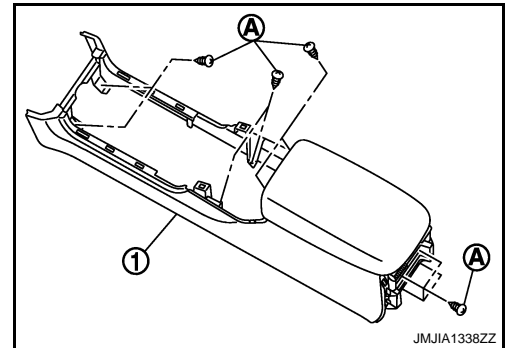
## < ON-VEHICLE REPAIR >

- Remove console rear finisher (2) fixing screws (A).
- Pull back console rear finisher.
- Disconnect harness connectors.



 : Metal clip

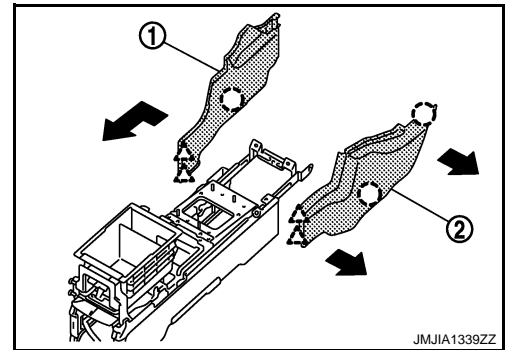


6. Remove center console assembly.
- Remove center console assembly (1) fixing screws (A).
  - Lift up back side and pull back.




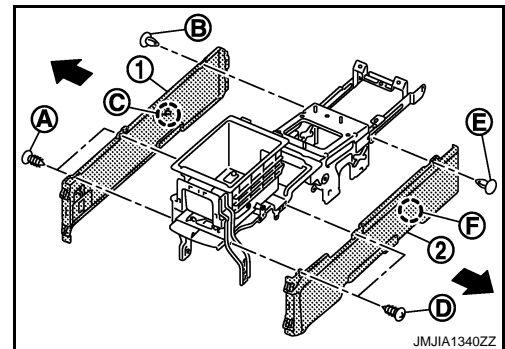
7. Remove instrument lower cover LH/RH.
- Disengage instrument lower cover LH (1) fixing pawls.
  - Pull back instrument lower cover LH.
  - Disengage instrument lower cover RH (2) fixing pawls and clip.
  - Pull the instrument lower cover RH crosswise.

 : Clip  
 : Pawl

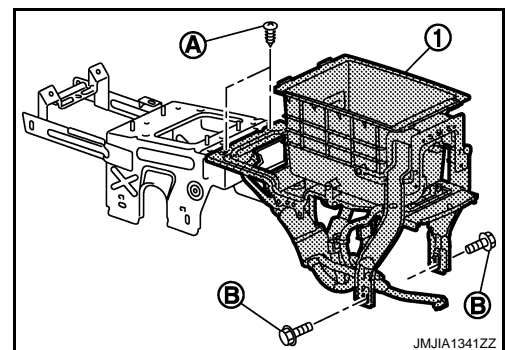


8. Remove lower console finisher LH/RH.
- Remove lower console finisher LH (1) fixing screws (A).
  - Remove lower console finisher LH fixing clip (B).
  - Remove lower console finisher LH fixing clip (C).
  - Pull the console finisher LH crosswise.
  - Remove lower console finisher RH (2) fixing screws (D).
  - Remove lower console finisher RH fixing clip (E).
  - Remove lower console finisher RH fixing clip (F).
  - Pull the console finisher RH crosswise.

 : Clip



9. Remove lower console assembly.
- Remove lower console assembly (1) fixing screws (A).
  - Remove lower console assembly fixing bolts (B).
  - Disconnect harness connectors.




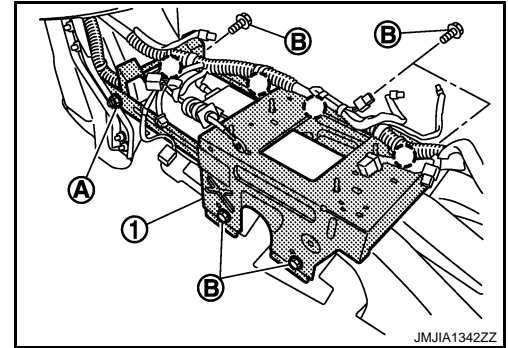
A  
B  
C  
D  
E  
F  
G  
H  
I  
IP  
K  
L  
M  
N  
O  
P

## CENTER CONSOLE ASSEMBLY

### < ON-VEHICLE REPAIR >

10. Remove DVD player. Refer to [AV-526, "Removal and Installation"](#).
11. Remove control device assembly. Refer to [TM-165, "Removal and Installation"](#).
12. Remove console reinforcement.
  - Remove console reinforcement (1) fixing nuts (A).
  - Remove console reinforcement fixing bolts (B).
  - Remove harness clip.

 : Clip



13. Remove instrument stay LH fixing nuts, and then remove instrument stay LH.
14. Remove front console bracket fixing bolt and nuts, and then remove front console bracket.

### INSTALLATION

Install in the reverse order of removal.