

A
B
C
D
E

SECTION **BR** BRAKE SYSTEM

CONTENTS

<p>PRECAUTIONS 3</p> <p style="padding-left: 20px;">Precautions for Supplemental Restraint System (SRS) "AIR BAG" and "SEAT BELT PRE-TENSIONER" 3</p> <p style="padding-left: 20px;">Precautions for Procedures without Cowl Top Cover... 3</p> <p style="padding-left: 20px;">Precautions for Brake System 3</p> <p>PREPARATION 5</p> <p style="padding-left: 20px;">Commercial Service Tools 5</p> <p>NOISE, VIBRATION AND HARSHNESS (NVH)</p> <p>TROUBLESHOOTING 6</p> <p style="padding-left: 20px;">NVH Troubleshooting Chart 6</p> <p>BRAKE PEDAL 7</p> <p style="padding-left: 20px;">Inspection and Adjustment 7</p> <p style="padding-left: 40px;">ADJUSTMENT 7</p> <p style="padding-left: 20px;">Components 8</p> <p style="padding-left: 40px;">WITHOUT ADJUSTABLE PEDAL 8</p> <p style="padding-left: 40px;">WITH ADJUSTABLE PEDAL 9</p> <p style="padding-left: 20px;">Removal and Installation 10</p> <p style="padding-left: 40px;">REMOVAL 10</p> <p style="padding-left: 40px;">INSPECTION AFTER REMOVAL 10</p> <p style="padding-left: 40px;">INSTALLATION 10</p> <p>BRAKE FLUID 12</p> <p style="padding-left: 20px;">On-Vehicle Inspection 12</p> <p style="padding-left: 40px;">LEVEL CHECK 12</p> <p style="padding-left: 20px;">Drain and Refill 12</p> <p style="padding-left: 20px;">Bleeding Brake System 13</p> <p>BRAKE TUBE AND HOSE 14</p> <p style="padding-left: 20px;">Hydraulic Circuit 14</p> <p style="padding-left: 20px;">Removal and Installation of Front Brake Tube and Brake Hose 15</p> <p style="padding-left: 40px;">REMOVAL 15</p> <p style="padding-left: 40px;">INSTALLATION 15</p> <p style="padding-left: 20px;">Removal and Installation of Rear Brake Tube and Brake Hose 15</p> <p style="padding-left: 40px;">REMOVAL 15</p> <p style="padding-left: 40px;">INSTALLATION 15</p> <p style="padding-left: 20px;">Inspection after Installation 15</p> <p>BRAKE MASTER CYLINDER 16</p>	<p style="padding-left: 20px;">On-Vehicle Inspection 16</p> <p style="padding-left: 40px;">LEAK INSPECTION 16</p> <p style="padding-left: 20px;">Removal and Installation 16</p> <p style="padding-left: 40px;">REMOVAL 16</p> <p style="padding-left: 40px;">INSTALLATION 16</p> <p style="padding-left: 20px;">Components 17</p> <p style="padding-left: 40px;">WITHOUT VDC 17</p> <p style="padding-left: 40px;">WITH VDC 18</p> <p style="padding-left: 20px;">Disassembly and Assembly 19</p> <p style="padding-left: 40px;">WITHOUT VDC 19</p> <p style="padding-left: 40px;">WITH VDC 21</p> <p>BRAKE BOOSTER 22</p> <p style="padding-left: 20px;">On-Vehicle Inspection 22</p> <p style="padding-left: 40px;">OPERATING CHECK 22</p> <p style="padding-left: 40px;">AIRTIGHT CHECK 22</p> <p style="padding-left: 20px;">Components 23</p> <p style="padding-left: 20px;">Removal and Installation 23</p> <p style="padding-left: 40px;">REMOVAL 23</p> <p style="padding-left: 40px;">INSPECTION AFTER REMOVAL 24</p> <p style="padding-left: 40px;">INSTALLATION 24</p> <p>VACUUM LINES 25</p> <p style="padding-left: 20px;">Components 25</p> <p style="padding-left: 20px;">Removal and Installation 25</p> <p style="padding-left: 20px;">Inspection 25</p> <p style="padding-left: 40px;">VISUAL INSPECTION 25</p> <p style="padding-left: 40px;">CHECK VALVE INSPECTION 26</p> <p>FRONT DISC BRAKE 27</p> <p style="padding-left: 20px;">On-Vehicle Inspection 27</p> <p style="padding-left: 40px;">PAD WEAR INSPECTION 27</p> <p style="padding-left: 20px;">Components 27</p> <p style="padding-left: 20px;">Removal and Installation of Brake Pad 28</p> <p style="padding-left: 40px;">REMOVAL 28</p> <p style="padding-left: 40px;">INSTALLATION 28</p> <p style="padding-left: 20px;">Removal and Installation of Brake Caliper Assembly</p> <p style="padding-left: 40px;">... 29</p> <p style="padding-left: 40px;">REMOVAL 29</p> <p style="padding-left: 40px;">INSTALLATION 29</p> <p style="padding-left: 20px;">Disassembly and Assembly of Brake Caliper</p>
--	---

BR
G
H
I
J
K
L
M

Assembly	30	INSTALLATION	35
DISASSEMBLY	30	Disassembly and Assembly of Brake Caliper	
CALIPER INSPECTION	30	Assembly	35
ASSEMBLY	31	DISASSEMBLY	35
DISC ROTOR INSPECTION	32	CALIPER INSPECTION	36
BRAKE BURNISHING PROCEDURE	32	ASSEMBLY	36
REAR DISC BRAKE	33	DISC ROTOR INSPECTION	38
On-Vehicle Inspection	33	BRAKE BURNISHING PROCEDURE	38
PAD WEAR INSPECTION	33	SERVICE DATA AND SPECIFICATIONS (SDS)	39
Components	33	General Specifications	39
Removal and Installation of Brake Pad	34	Brake Pedal	39
REMOVAL	34	Brake Booster	39
INSTALLATION	34	Check Valve	39
Removal and Installation of Brake Caliper Assembly		Front Disc Brake	39
... ..	34	Rear Disc Brake	39
REMOVAL	34		

PRECAUTIONS

PRECAUTIONS

PFP:00001

Precautions for Supplemental Restraint System (SRS) "AIR BAG" and "SEAT BELT PRE-TENSIONER"

NFS000DS

The Supplemental Restraint System such as "AIR BAG" and "SEAT BELT PRE-TENSIONER", used along with a front seat belt, helps to reduce the risk or severity of injury to the driver and front passenger for certain types of collision. This system includes seat belt switch inputs and dual stage front air bag modules. The SRS system uses the seat belt switches to determine the front air bag deployment, and may only deploy one front air bag, depending on the severity of a collision and whether the front occupants are belted or unbelted. Information necessary to service the system safely is included in the SRS and SB section of this Service Manual.

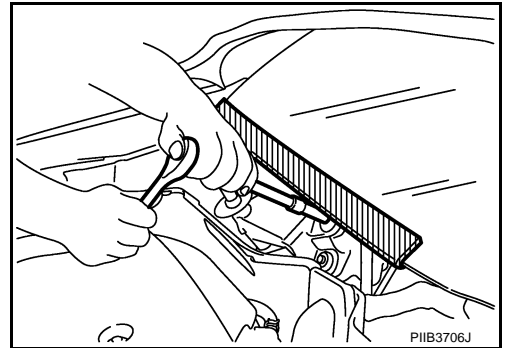
WARNING:

- To avoid rendering the SRS inoperative, which could increase the risk of personal injury or death in the event of a collision which would result in air bag inflation, all maintenance must be performed by an authorized NISSAN/INFINITI dealer.
- Improper maintenance, including incorrect removal and installation of the SRS, can lead to personal injury caused by unintentional activation of the system. For removal of Spiral Cable and Air Bag Module, see the SRS section.
- Do not use electrical test equipment on any circuit related to the SRS unless instructed to in this Service Manual. SRS wiring harnesses can be identified by yellow and/or orange harnesses or harness connectors.

Precautions for Procedures without Cowl Top Cover

NFS000HU

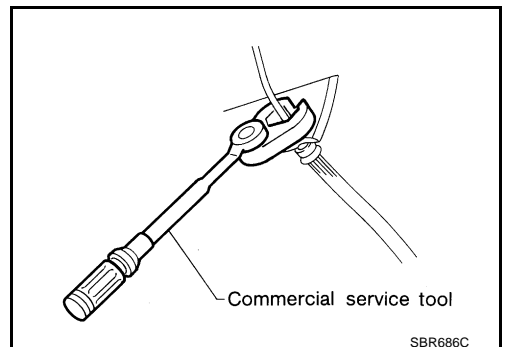
When performing the procedure after removing cowl top cover, cover the lower end of windshield with urethane, etc.



Precautions for Brake System

NFS000T9

- Clean dust on front disc brake and rear disc brake with a vacuum dust collector. Do not blow with compressed air.
- Recommended fluid is brake fluid "DOT 3". Refer to [MA-10, "Fluids and Lubricants"](#) .
- Do not reuse drained brake fluid.
- Be careful not to splash brake fluid on painted areas; it may cause paint damage. If brake fluid is splashed on painted areas, wash it away with water immediately.
- To clean or wash all parts of master cylinder, disc brake caliper and wheel cylinder, use clean brake fluid.
- Never use mineral oils such as gasoline or kerosene. They will ruin rubber parts of the hydraulic system.
- Use flare nut crowfoot and torque wrench when installing brake tube.
- When installing brake piping, be sure to torque. Use flare nut wrench when removing and installing brake tube.
- Before working, turn ignition switch OFF and disconnect connectors of ABS actuator and control unit or battery negative terminal.
- Burnish the brake contact surfaces after refinishing or replacing rotors, after replacing pads, or if a soft pedal occurs at very low mileage. Refer to [BR-32, "BRAKE BURNISHING PROCEDURE"](#) (front disc brake), [BR-38, "BRAKE BURNISHING PROCEDURE"](#) (rear disc brake).



PRECAUTIONS

WARNING:

Clean brake pads and shoes with a waste cloth, then wipe with a dust collector.

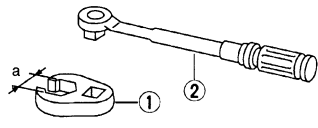
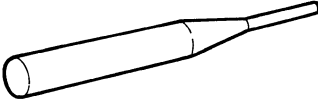
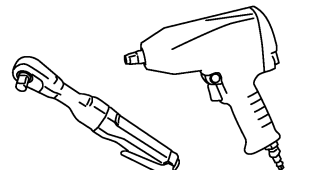
PREPARATION

PREPARATION

PFP:00002

Commercial Service Tools

NFS000DU

Tool name	Description
<p>1. Flare nut crowfoot a: 10 mm (0.39 in) / 12 mm (0.47 in) 2. Torque wrench</p>  <p style="text-align: right;">S-NT360</p>	<p>Installing each brake tube</p>
<p>Pin punch Tip diameter: 4 mm (0.16 in) dia.</p>  <p style="text-align: right;">ZZA0515D</p>	<p>Removing and installing reservoir tank pin</p>
<p>Power tool</p>  <p style="text-align: right;">PBIC0190E</p>	<p>Loosening bolts and nuts</p>

A
B
C
D
E
BR
G
H
I
J
K
L
M

NOISE, VIBRATION AND HARSHNESS (NVH) TROUBLESHOOTING

NOISE, VIBRATION AND HARSHNESS (NVH) TROUBLESHOOTING

PFP:00003

NVH Troubleshooting Chart

NFS000DV

Use the chart below to help you find the cause of the symptom. If necessary, repair or replace these parts.

Symptom	Brake	Possible cause and suspected parts														Reference page				
		Pads - damaged	Pads - uneven wear	Shims damaged	Rotor imbalance	Rotor damage	Rotor runout	Rotor deformation	Rotor deflection	Rotor rust	Rotor thickness variation	Drum out of round	PROPELLER SHAFT	DIFFERENTIAL	AXLE AND SUSPENSION		TIRES	ROAD WHEEL	DRIVE SHAFT	STEERING
	Noise	x	x	x																BR-27, BR-33
	Shake				x															BR-28, BR-34
	Shimmy, Judder				x	x	x	x	x	x										BR-27, BR-33
																				—
																				—
																				BR-32, BR-38
																				—
																				NVH in PR section
																				NVH in FFD and RFD section
																				NVH in FAX, RAX and FSU, RSU section
																				NVH in WT section
																				NVH in WT section
																				NVH in FAX and RAX section
																				NVH in PS section

x: Applicable

BRAKE PEDAL

BRAKE PEDAL

PFP:46501

Inspection and Adjustment

NFS000DW

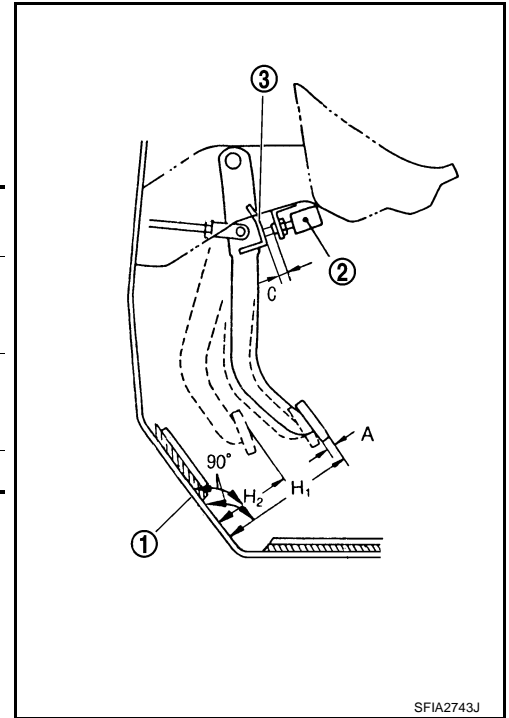
Play and clearance between brake pedal and dash lower panel with pedal depressed

1. Check the brake pedal height from dash lower panel (1).
2. Adjust the height referring to the following specifications.

CAUTION:

When adjustable pedal is equipped during the pedal height measurement, pedal must be in the front most position.

H1	Brake pedal height (from dash lower panel top surface)	199.5 – 209.5 mm (7.85 – 8.25 in)
H2	Depressed pedal height [under a force of 490 N (50 kg, 110 lb) with engine running]	More than 120 mm (4.72 in)
C	Clearance between threaded end of stop lamp switch/ASCD cancel switch (2) and bracket (3)	0.74 – 1.96 mm (0.0291 – 0.0772 in)
A	Pedal play	3 – 11 mm (0.12 – 0.43 in)



ADJUSTMENT

1. Loosen the stop lamp switch and ASCD cancel switch by turning it counterclockwise by 45°.
2. Loosen lock nut (A) on the input rod, then turn input rod to adjust the pedal to specified height, and tighten lock nut (A). Refer to [BR-23. "Components"](#).

CAUTION:

Make sure the threaded end of the input rod stays inside the clevis.

3. With the pedal pulled and held by hand, press the stop lamp switch and ASCD cancel switch until its threaded end contacts the bracket.
4. With the threaded end of the stop lamp switch and ASCD cancel switch contacting the bracket, turn the switch clockwise by 45° to secure.

CAUTION:

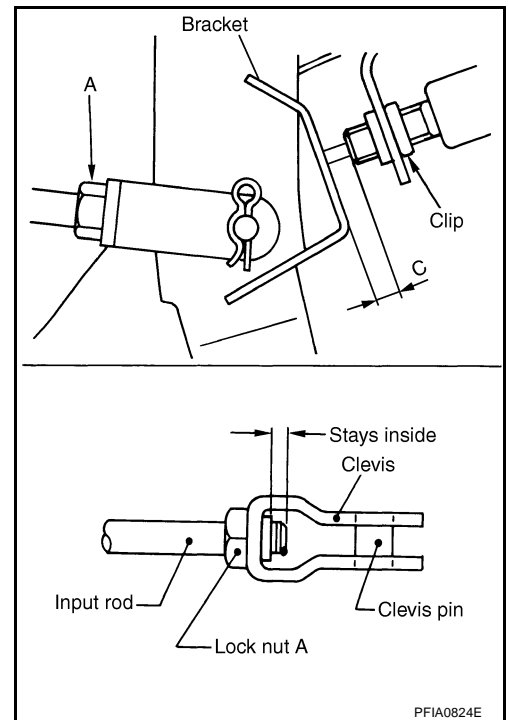
Make sure that the clearance "C" between the bracket and threaded end of the stop lamp switch and ASCD cancel switch is within the standard.

5. Check the pedal play.

CAUTION:

Make sure that the stop lamp goes off when the pedal is released.

6. Start the engine to check the brake pedal depressed height.

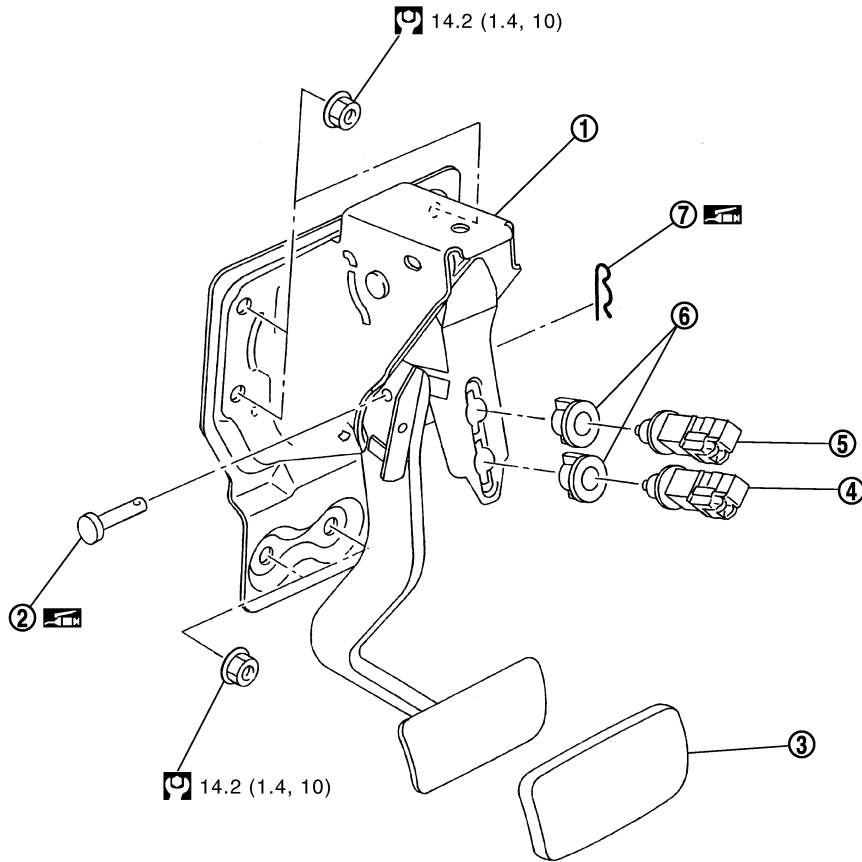


BRAKE PEDAL

NFS000HX

Components WITHOUT ADJUSTABLE PEDAL


SEC. 465



PFIA0874E

- | | | |
|-------------------------|-----------------------|--------------|
| 1. Brake pedal assembly | 2. Clevis pin | 3. Pedal pad |
| 4. Stop lamp switch | 5. ASCD cancel switch | 6. Clip |
| 7. Snap pin | | |

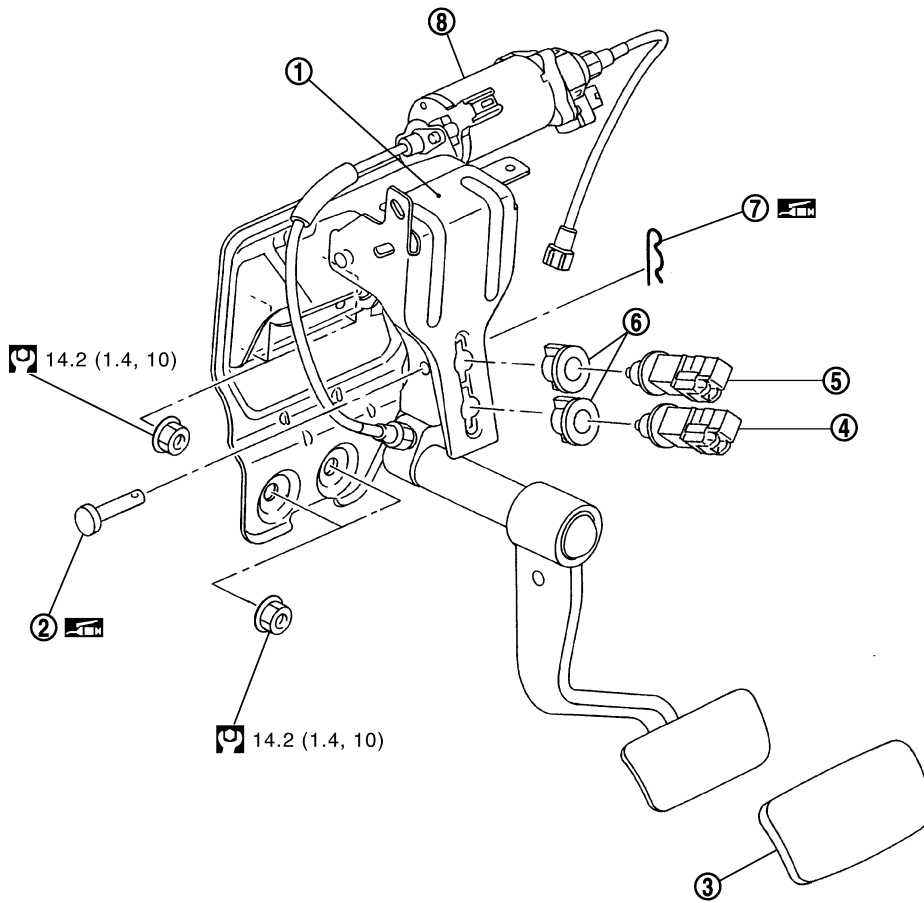
Refer to [GI-10. "Components"](#) and the followings for the symbols in the figure.

: Apply Multi-purpose grease.

BRAKE PEDAL

WITH ADJUSTABLE PEDAL

SEC. 465



PFIA0875E

- | | | |
|-------------------------|--------------------------|--------------|
| 1. Brake pedal assembly | 2. Clevis pin | 3. Pedal pad |
| 4. Stop lamp switch | 5. ASCD cancel switch | 6. Clip |
| 7. Snap pin | 8. Pedal adjusting motor | |

Refer to [GI-10, "Components"](#) and the followings for the symbols in the figure.

: Apply Multi-purpose grease.

A
B
C
D
E
BR
G
H
I
J
K
L
M

BRAKE PEDAL

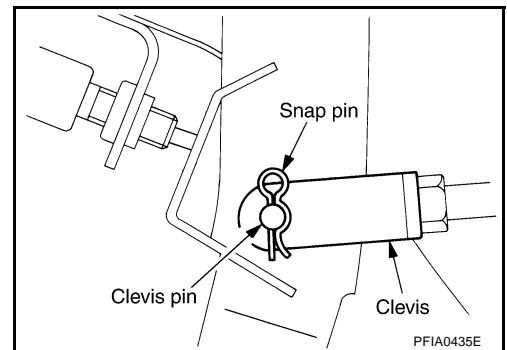
NFS000DX

Removal and Installation

REMOVAL

CAUTION:

- Adjust mechanism (Drive wire, Drive motor) is not able to disassemble.
 - Before removing pedal drive cable, pedals must be in the front most position to keep the proper position between accelerator and brake pedal.
1. Remove front kicking plate (driver side). Refer to [EI-32, "BODY SIDE TRIM"](#) .
 2. Remove front body side welt (driver side). Refer to [EI-32, "BODY SIDE TRIM"](#) .
 3. Remove instrument driver lower panel. Refer to [IP-10, "INSTRUMENT PANEL ASSEMBLY"](#) .
 4. Remove dash side finisher (driver side). Refer to [EI-32, "BODY SIDE TRIM"](#) .
 5. Remove parking brake pedal assembly. Refer to [PB-4, "Removal and Installation"](#) .
 6. Disconnect accelerator pedal drive cable, pedal adjusting motor harness connector. (With adjustable pedal)
 7. Remove stop lamp switch and ASCD cancel switch from the pedal assembly.
 8. Remove snap pin and clevis pin from input rod clevis.
 9. Remove mounting nuts from pedal bracket, and remove pedal assembly from vehicle.



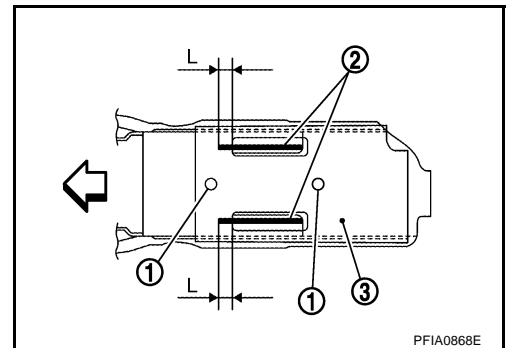
INSPECTION AFTER REMOVAL

- Check the items below (upper part of brake pedal as shown in the figure). If any is found, replace brake pedal assembly.
- Check brake pedal upper rivet (1) for deformation.
- Make sure that joint length "L" of sub-bracket (2) and sliding plate (3).

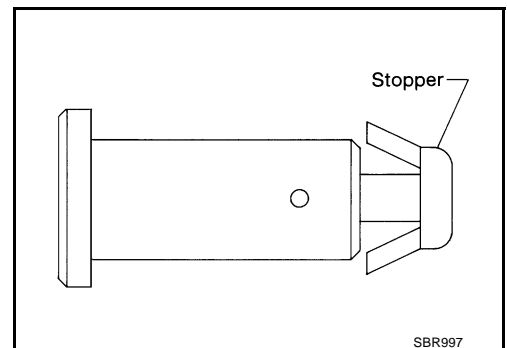
Lapping length "L"

Without adjustable pedal : 5.0 – 6.0 mm (0.197 – 0.236 in)

With adjustable pedal : 3.0 – 7.0 mm (0.118 – 0.276 in)



- Check brake pedal for bend, damage, and cracks on the welded parts.
- Check the clevis pin and resin stopper for damage and deformation. If a malfunction is detected, replace the clevis pin and resin stopper.



INSTALLATION

Note the following, and install in the reverse order of removal.

- Tightening torques for brake pedal assembly mounting nuts and bolt are refer to [BR-8, "Components"](#) , lock nut is refer to [BR-23, "Components"](#) .

BRAKE PEDAL

-
- After installing the brake pedal assembly to the vehicle, adjust the brake pedal. Refer to [BR-7, "Inspection and Adjustment"](#).

A

B

C

D

E

BR

G

H

I

J

K

L

M

BRAKE FLUID

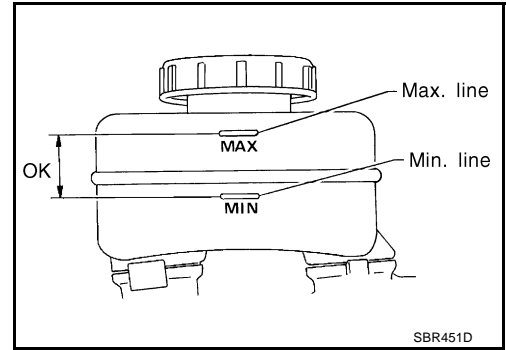
BRAKE FLUID

PPF:KN100

On-Vehicle Inspection LEVEL CHECK

NFS000DY

- Make sure the fluid level in the sub-tank is within the standard (between MAX and MIN lines).
- Visually check around the reservoir tank and sub-tank for fluid leakage.
- If fluid level is excessively low, check brake system for fluid leakage.
- If brake warning lamp remains illuminated after parking brake pedal is released, check brake system for fluid leaks.



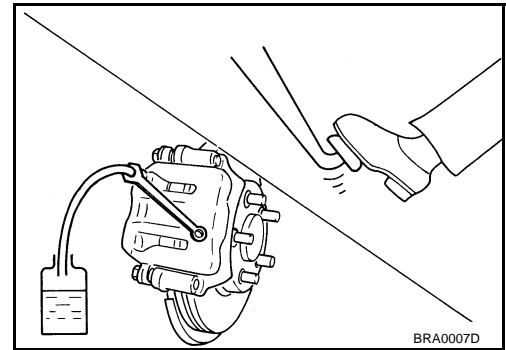
Drain and Refill

NFS000DZ

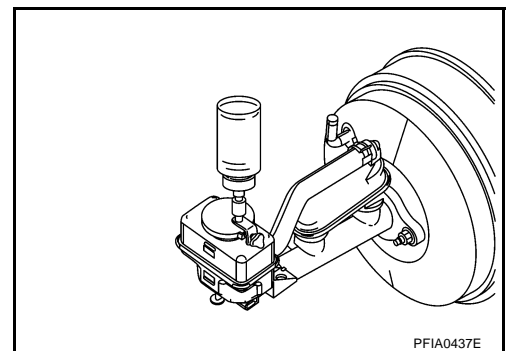
CAUTION:

- Refill with new brake fluid "DOT3".
- Do not reuse drained brake fluid.
- Be careful not to splash brake fluid on painted areas; it may cause paint damage. If brake fluid is splashed on painted areas wash it away with water immediately.

1. Connect a vinyl tube to bleed valve.
2. Depress the brake pedal, loosen the bleed valve, and gradually remove the brake fluid.
3. Turn ignition switch OFF and disconnect ABS actuator and electric unit (control unit) connector or battery negative terminal.



4. Make sure there is no foreign material in the sub-tank, and refill with new brake fluid.
5. Rest foot on brake pedal. Loosen bleed valve. Slowly depress pedal until it stops. Tighten bleed valve. Release brake pedal. Repeat this process a few times, then pause to add new brake fluid to sub-tank. Continue until new brake fluid flows out.
6. Bleed Air. Refer to [BR-13, "Bleeding Brake System"](#) .



Bleeding Brake System

NFS000E0

CAUTION:

While bleeding, pay attention to sub-tank fluid level.

1. Turn ignition switch OFF and disconnect ABS actuator and electric unit (control unit) connector or battery negative terminal.
2. Connect a vinyl tube to the rear right bleed valve.
3. Fully depress brake pedal 4 to 5 times.
4. With brake pedal depressed, loosen bleed valve to let the air out, and then tighten it immediately.
5. Repeat steps 3, 4 until no more air comes out.
6. Tighten bleed valve to specified torque. Refer to [BR-27, "Components"](#) (front disc brake), [BR-33, "Components"](#) (rear disc brake).
7. From steps 2 to 6 below, with master cylinder sub-tank filled at least half way, bleed air from the front left, rear left, and front right tires, in that order.

A

B

C

D

E

BR

G

H

I

J

K

L

M

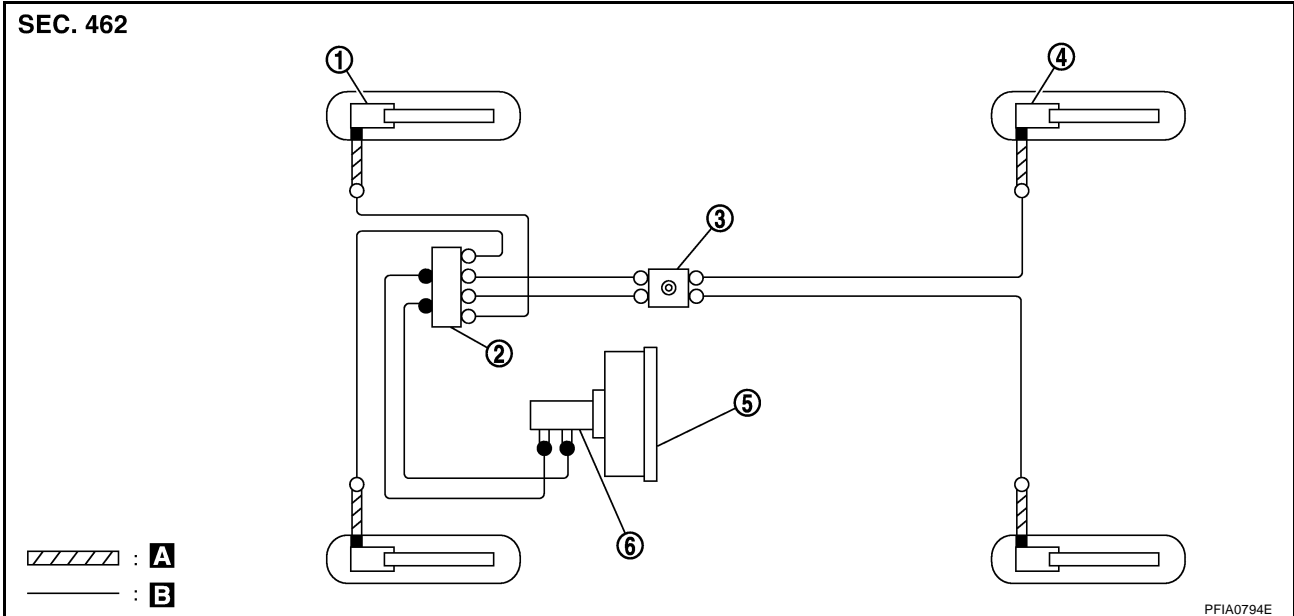
BRAKE TUBE AND HOSE

BRAKE TUBE AND HOSE

PFP:46300

Hydraulic Circuit

NFS000E1



1. Front disc brake
2. ABS actuator and electric unit (control unit)
3. Connector
4. Rear disc brake
5. Brake booster
6. Master cylinder

A: Brake hose

B: Brake tube

● Flare nut 16.2 N·m (1.7 kg-m, 12 ft-lb) (Without VDC)

● Flare nut 18.2 N·m (1.9 kg-m, 13 ft-lb) (With VDC)

○ Flare nut 16.2 N·m (1.7 kg-m, 12 ft-lb)

■ Union bolt 18.2 N·m (1.9 kg-m, 13 ft-lb)

⊙ Connector mounting bolt 7.0 N·m (0.71 kg-m, 62.0 in-lb)

CAUTION:

- All hoses and tubes must be free from excessive bending, twisting and pulling.
- Make sure there is no interference with other parts when turning steering both clockwise and counterclockwise.
- The brake hoses and tubes is an important safety part. If a brake fluid leak is detected, always disassemble the parts. Replace applicable part with a new one, if necessary.
- Be careful not to splash brake fluid on painted areas; it may cause paint damage. If brake fluid is splashed on painted areas, wash it away with water immediately.
- Do not bend or twist brake hose sharply, or strongly pull it.
- When removing components, put cover on the connections so that no dirt, no dust, or no other foreign matter gets in.
- Refill with new brake fluid " DOT 3 ".
- Do not reuse drained brake fluid.

BRAKE TUBE AND HOSE

Removal and Installation of Front Brake Tube and Brake Hose

NFS000E2

REMOVAL

1. Drain brake fluid. Refer to [BR-12, "Drain and Refill"](#) .
2. Using a flare nut wrench, remove brake tube from brake hose.
3. Remove union bolt and remove the brake hose from the brake caliper assembly.
4. Remove the lock plate and remove the brake hose from the vehicle.

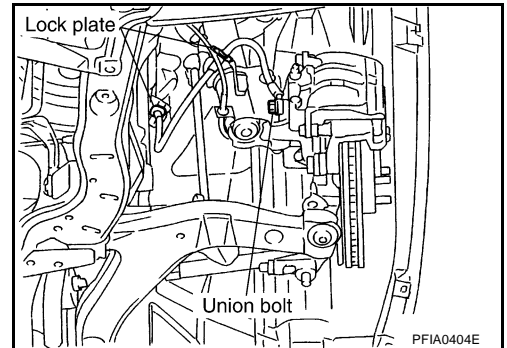
INSTALLATION

1. Install brake hose by aligning with the protrusion on brake caliper assembly, and tighten union bolt to the specified torque. Refer to [BR-14, "Hydraulic Circuit"](#) .

CAUTION:

Do not reuse the copper washer.

2. Install brake hose to the brake tube, partially tighten the flare nut as much as possible by hand, then secure it to the bracket with lock plate.
3. Using a flare nut crowfoot and torque wrench, tighten flare nut to the specified torque. Refer to [BR-14, "Hydraulic Circuit"](#) .
4. Refill brake fluid and bleed air. Refer to [BR-13, "Bleeding Brake System"](#) .



Removal and Installation of Rear Brake Tube and Brake Hose

NFS000E3

REMOVAL

1. Drain brake fluid. Refer to [BR-12, "Drain and Refill"](#) .
2. Using a flare nut wrench, remove brake tube from brake hose.
3. Remove union bolts, and then remove brake hose from the brake caliper assembly.
4. Remove the lock plate and then remove the brake hose from the vehicle.

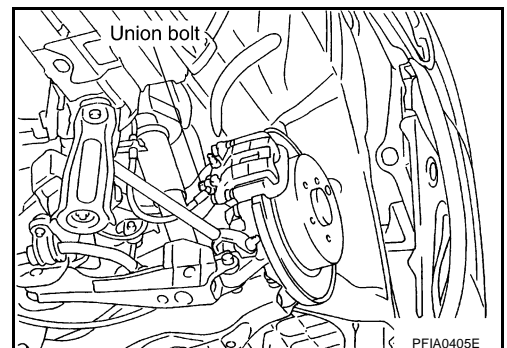
INSTALLATION

1. Install brake hose to the brake caliper assembly positioning hole and tighten union bolt to the specified torque. Refer to [BR-14, "Hydraulic Circuit"](#) .

CAUTION:

Do not reuse the copper washer.

2. Install brake hose to the brake tube, partially tighten the flare nut as much as possible by hand, then secure it to the bracket with lock plate.
3. Using a flare nut crowfoot and torque wrench, tighten flare nut to the specified torque. Refer to [BR-14, "Hydraulic Circuit"](#) .
4. Refill brake fluid and bleed air. Refer to [BR-13, "Bleeding Brake System"](#) .



Inspection after Installation

NFS000E4

CAUTION:

If leakage occurs around hose and tube connections, retighten. If necessary, replace damaged part.

1. Check brake lines (tubes and hoses) and connections for fluid leakage, damage, twist, deformation, contact with other parts, and loose connections. Replace any damage parts.
2. While depressing brake pedal under a force of 785 N (80 kg, 177 lb) with engine running at idle speed for approximately 5 seconds, check each part for fluid leakage.

A
B
C
D
E
BR
G
H
I
J
K
L
M

BRAKE MASTER CYLINDER

BRAKE MASTER CYLINDER

PFP:46010

On-Vehicle Inspection LEAK INSPECTION

NFS000E5

Check for fluid leakage from master cylinder attachment portion, reservoir tank, sub-tank, reservoir hose connections, and brake tube connections.

Removal and Installation

NFS000E6

CAUTION:

Be careful not to splash brake fluid on painted areas; it may cause paint damage. If brake fluid is splashed on painted areas, wash it away with water immediately.

REMOVAL

1. Remove cowl top cover. Refer to [EI-20, "COWL TOP"](#) .
2. Drain brake fluid. Refer to [BR-12, "Drain and Refill"](#) .
3. Remove air cleaner and air duct. Refer to [EM-16, "AIR CLEANER AND AIR DUCT"](#) .
4. Disconnect harness connectors for fluid level switch and pressure sensor (with VDC).
5. Using a flare nut wrench, disconnect master cylinder assembly and brake tube.
6. Remove master cylinder assembly mounting nut, remove sub-tank assembly mounting bolt and remove master cylinder assembly from vehicle. Refer to [BR-23, "Removal and Installation"](#) .

INSTALLATION

CAUTION:

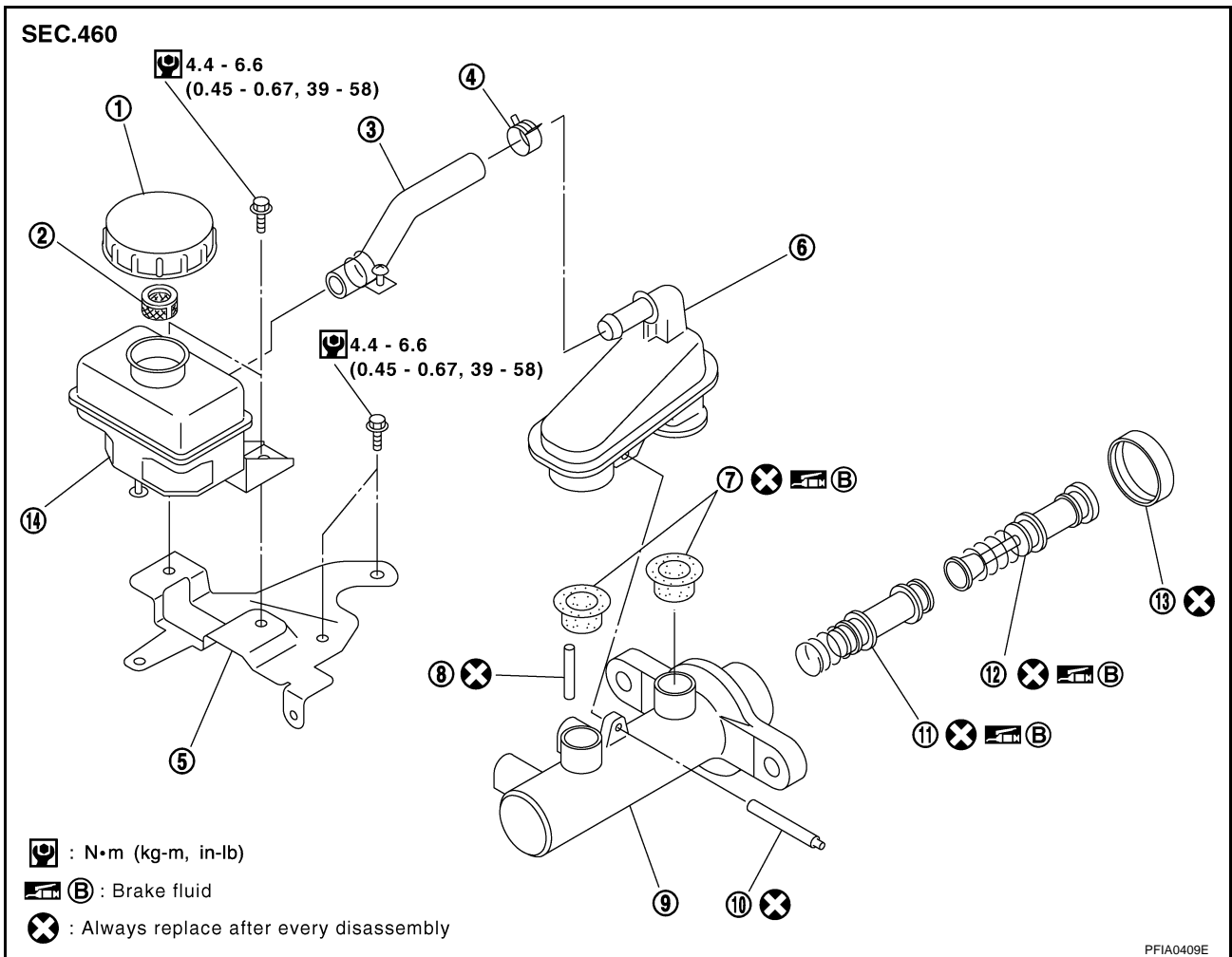
- Refill with new brake fluid "DOT3".
- Do not reuse drained brake fluid.
- Install in the reverse order of removal.
- Using a flare nut crowfoot and torque wrench, tighten brake tube flare nut to the specified torque. Refer to [BR-14, "Hydraulic Circuit"](#) .
- Refill brake fluid and bleed air. Refer to [BR-13, "Bleeding Brake System"](#) .

BRAKE MASTER CYLINDER

Components WITHOUT VDC

NFS000E7

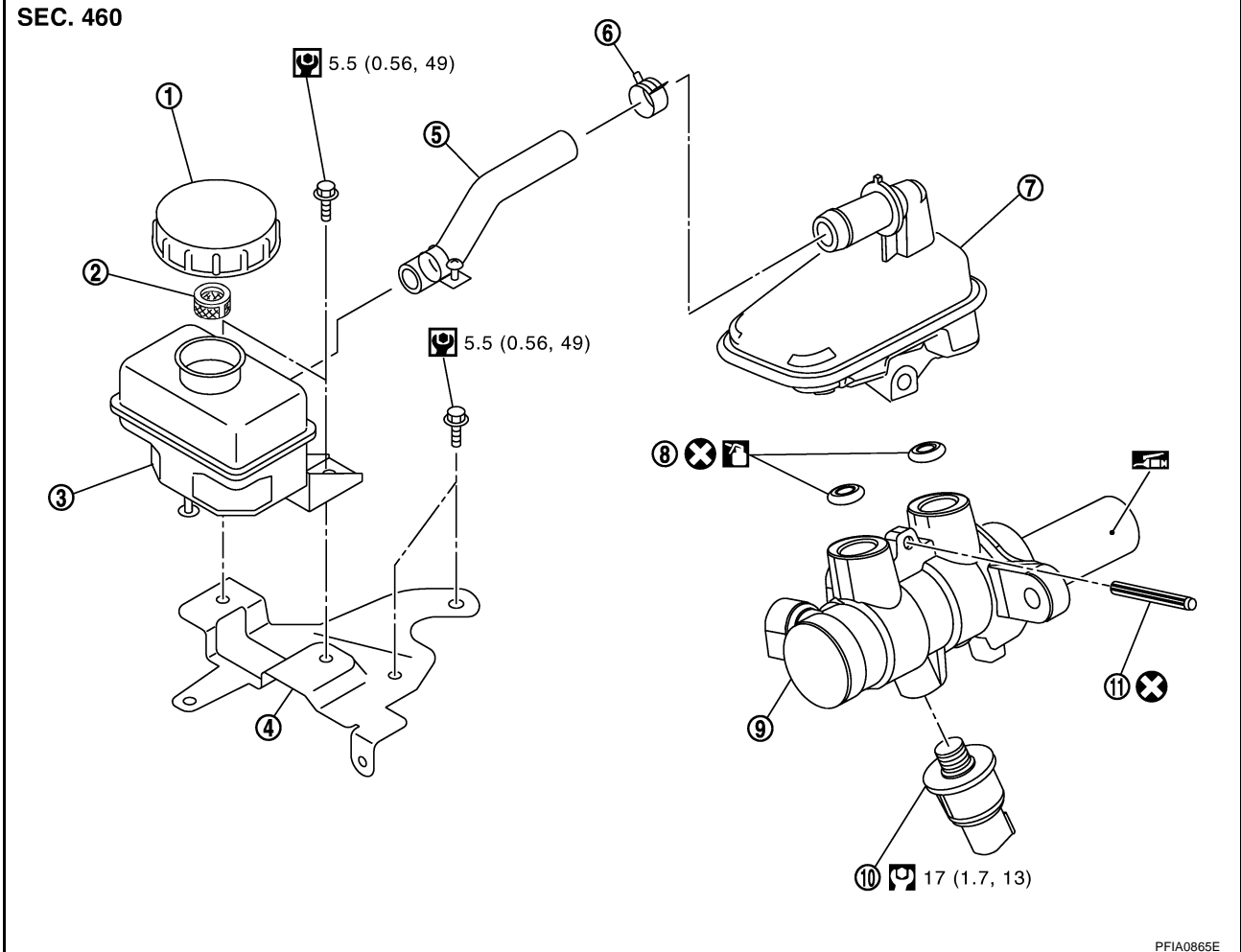
A
B
C
D
E
BR
G
H
I
J
K
L
M



- | | | |
|------------------|-------------------------------|-----------------------------|
| 1. Reservoir cap | 2. Oil strainer | 3. Hose and clamp |
| 4. Clamp | 5. Bracket | 6. Reservoir tank |
| 7. Grommet | 8. Piston stopper | 9. Cylinder body |
| 10. Pin | 11. Secondary piston assembly | 12. Primary piston assembly |
| 13. Stopper cap | 14. Sub-tank | |


BRAKE MASTER CYLINDER


WITH VDC



- | | | |
|---------------------|-------------------|------------------|
| 1. Reservoir cap | 2. Oil strainer | 3. Sub-tank |
| 4. Bracket | 5. Hose and clamp | 6. Clamp |
| 7. Reservoir tank | 8. O-ring | 9. Cylinder body |
| 10. Pressure sensor | 11. Pin | |

Refer to [GI-10, "Components"](#) and the followings for the symbols in the figure.

 : Apply PBC (Poly Butyl Cuprysil) grease or silicone-based grease.

 : Apply brake fluid.

BRAKE MASTER CYLINDER

Disassembly and Assembly WITHOUT VDC

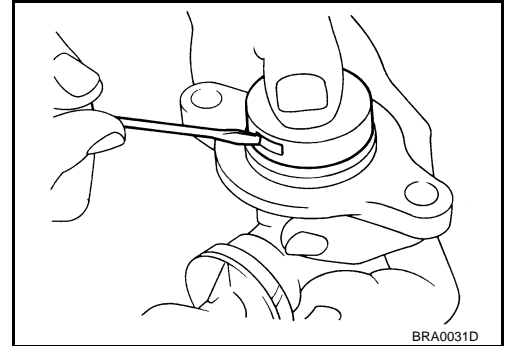
NFS000E8

Disassembly

CAUTION:

Remove the reservoir tank only when absolutely necessary.

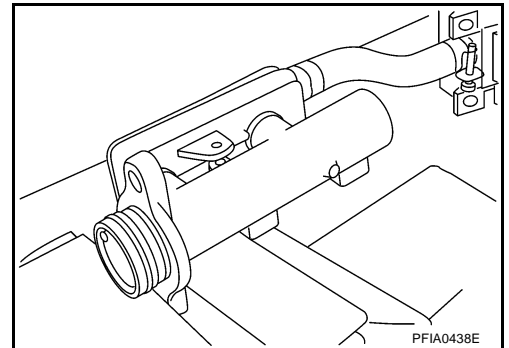
1. Using a flat-bladed screwdriver as shown in the figure, lift up the tabs on the stopper cap and remove it from the cylinder body. The piston inside the cylinder body might pop out when this is done, so hold the stopper cap down at the same time.



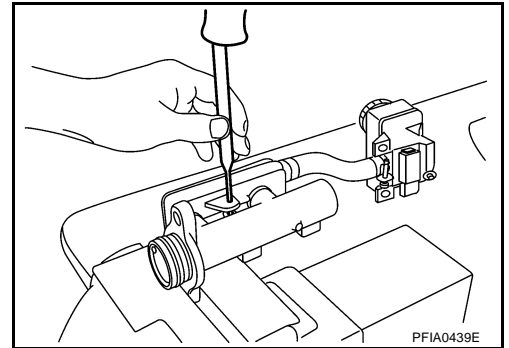
2. Place the side flange of cylinder body with chamfering around the pin insertion hole facing up, and firmly set cylinder body in a vise.

CAUTION:

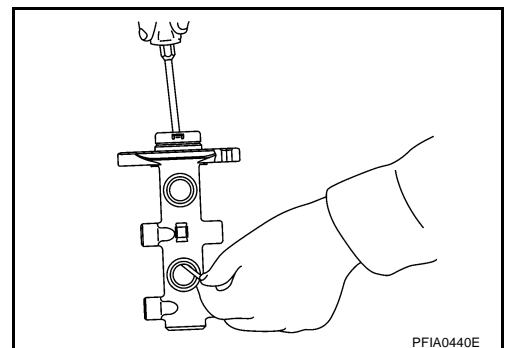
- When setting the cylinder body with the vise, be sure not to over-tighten.
- When setting securing with a vise, use copper plates or cloth to protect the flange.



3. Using a pin punch [commercial service tool: diameter approx. 4 mm (0.16 in)], remove mounting pin on the reservoir tank.
4. Remove cylinder body from vise.
5. Remove reservoir tank and grommet from cylinder body.



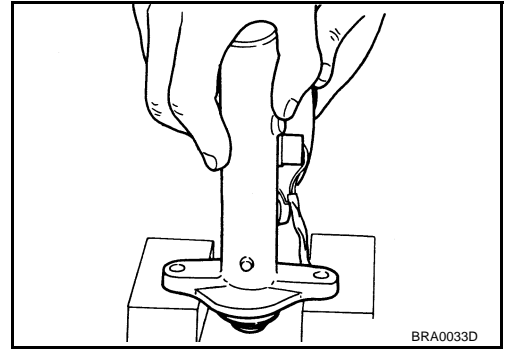
6. Using a flat-bladed screwdriver, push in the piston and remove piston stopper from cylinder body.
7. Carefully pull the primary piston assembly straight out to prevent cylinder inner wall from being damaged.



A
B
C
D
E
BR
G
H
I
J
K
L
M

BRAKE MASTER CYLINDER

8. Tap flange using a soft block such as wood, and carefully pull the secondary piston assembly straight out to prevent cylinder inner wall from being damaged.



Inspection after Disassembly

Cylinder body

Check the inner wall of the cylinder for damage, abrasion, corrosion and pin holes. Replace the cylinder body if any non-standard condition is detected.

Assembly

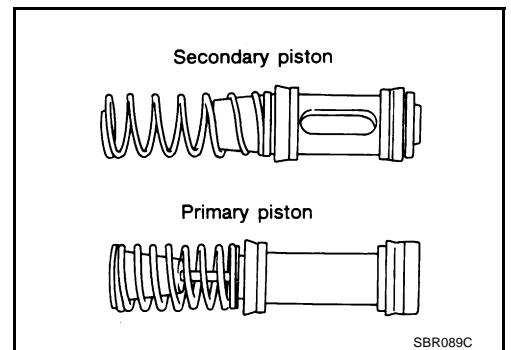
CAUTION:

- Never use mineral oils such as kerosene, gasoline during the cleaning and assembly process.
- Make sure there is no foreign matter such as dirt or dust attached to the inner cylinder walls, the piston, or the cap seal, and take care to avoid damaging parts with the assembly tools.
- Do not drop parts. If a part is dropped, do not use it.

1. Apply brake fluid to cylinder inner wall body and contact surface of the piston assembly. Then insert secondary piston assembly and primary piston assembly into cylinder body in this order.

CAUTION:

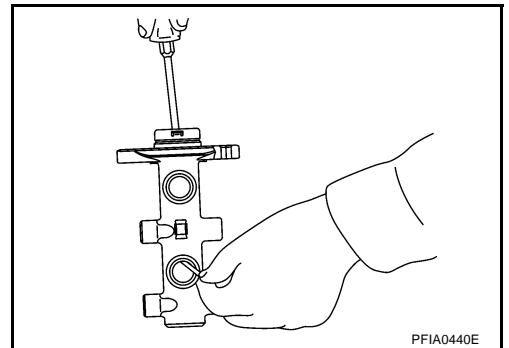
- Do not reuse primary and secondary piston assemblies.
- Be sure to replace the assembly without disassembling the new inner kit.
- Pay attention to the orientation of the piston cup, and insert straight to prevent the cup from being caught by cylinder inner wall.



2. Visually check the secondary piston slit through the tank boss hole on the secondary side of the cylinder body, and insert the piston stopper.

CAUTION:

Do not reuse piston stopper.



3. Holding down the primary piston with the stopper cap, push the stopper cap claws so they are firmly into the cylinder grooves, then install the stopper cap.

CAUTION:

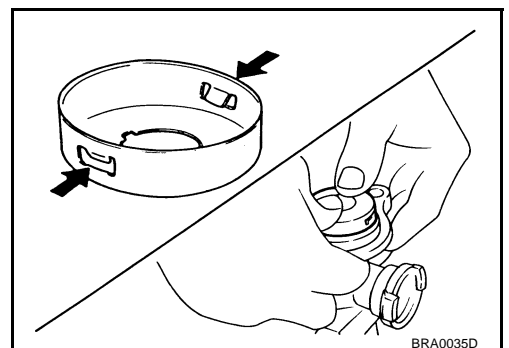
Do not reuse the stopper cap.

4. Apply brake fluid to the grommet and install to the cylinder body.

CAUTION:

Do not reuse the grommet.

5. Cylinder body is fixed in the vise as described in "disassembly: step 2".

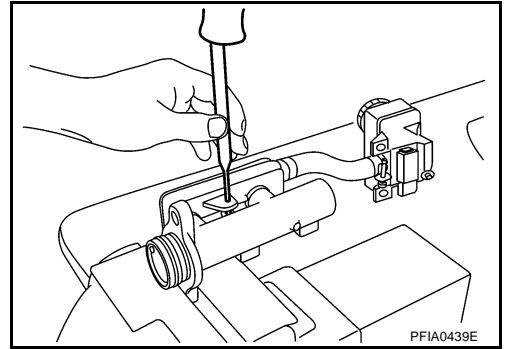


BRAKE MASTER CYLINDER

- Using a pin punch [commercial service tool: diameter approx. 4 mm (0.16 in)], insert the reservoir tank mounting pin into the pin hole so that the attachment side and the opposite side are identical.

CAUTION:

Do not reuse the reservoir tank mounting pin.



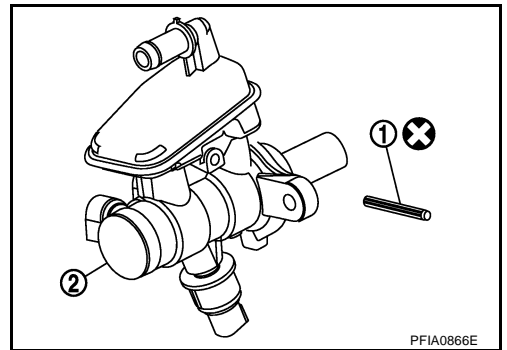
A
B
C
D
E

WITH VDC

Disassembly

CAUTION:

- Cylinder body can not be disassembled.
 - Remove the reservoir tank only when absolutely necessary.
- Remove reservoir tank mounting pin (1).
 - Remove reservoir tank and O-ring from cylinder body (2).



BR

G
H
I

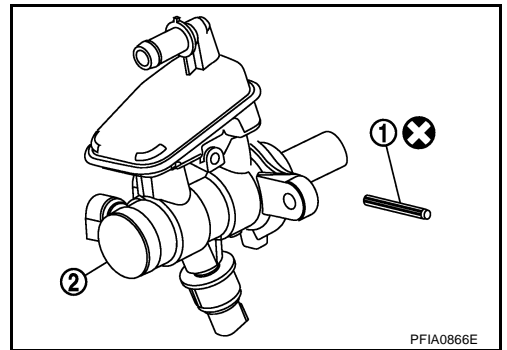
Assembly

CAUTION:

- Do not use mineral oils such as kerosene, gasoline during the cleaning and assembly process.
 - Do not drop parts. If a part is dropped, do not use it.
- Apply brake fluid the O-ring and attach to the cylinder body.
- CAUTION:**
Do not reuse the O-ring.
- Install reservoir tank onto the cylinder body (2).
 - Insert the reservoir tank mounting pin (1).

CAUTION:

Do not reuse the reservoir tank mounting pin.



J
K
L
M

BRAKE BOOSTER

PFP:47200

NFS000E9

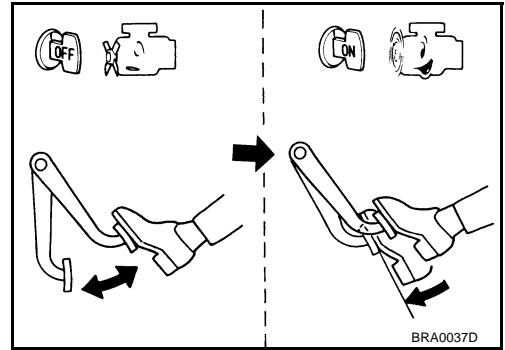
BRAKE BOOSTER

On-Vehicle Inspection OPERATING CHECK

With the engine stopped, change the vacuum to the atmospheric pressure by depressing the brake pedal several times. Then with brake pedal fully depressed, start the engine and when the vacuum pressure reaches the standard, make sure the clearance between the brake pedal and floor panel decreases.

CAUTION:

Depressing brake pedal interval is approximately 5 seconds.

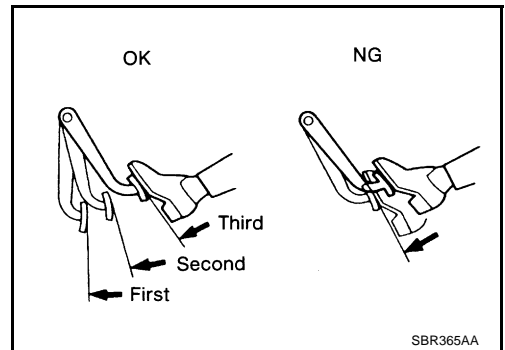


AIRTIGHT CHECK

- Start engine, and stop if after 1 minute. Depress brake pedal several times slowly. The pedal should go further down the first tie, and then it should gradually rise thereafter.
- Depress brake pedal while engine is running, and stop engine with brake pedal depressed. The brake pedal stroke should not change after holding pedal down for 30 seconds.

CAUTION:

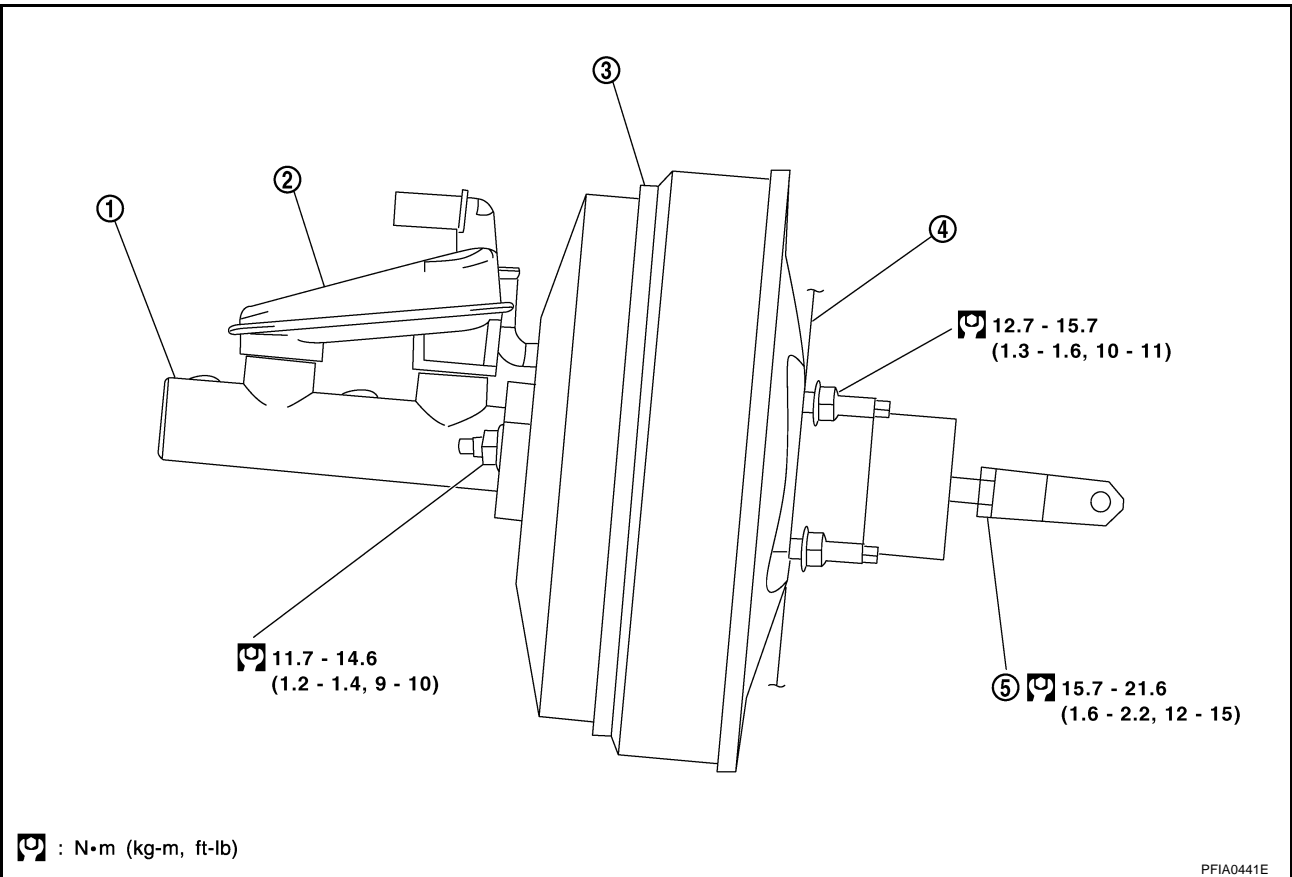
Depressing brake pedal interval is approximately 5 seconds.



BRAKE BOOSTER

Components

NFS000HV



1. Master cylinder assembly
2. Reservoir tank
3. Brake booster
4. Gasket
5. Lock nut

Removal and Installation

REMOVAL

NFS000EA

CAUTION:

- Be careful not to deform or bend brake tubes while removing and installing the brake booster.
 - Replace clevis pin if it is damaged.
 - Be careful not to damage brake booster stud bolt threads. If brake booster is tilted or inclined during installation, the dash panel may damage the threads.
 - Attach the check valve in the correct orientation.
1. Remove brake master cylinder assembly. Refer to [BR-17, "Components"](#).
 2. Remove cowl top cover. Refer to [EI-20, "COWL TOP"](#).
 3. Remove vacuum hose from the brake booster. Refer to [BR-25, "Components"](#).
 4. Remove the brake pedal snap pin and clevis pin from inside the vehicle. Refer to [BR-10, "Removal and Installation"](#).
 5. Remove brake tube bracket from dash panel.
 6. Remove mounting nuts from the brake booster and brake pedal assembly.
 7. Remove brake booster from the dash panel.

BRAKE BOOSTER

INSPECTION AFTER REMOVAL

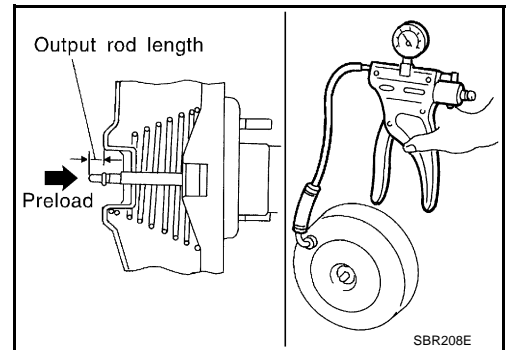
Output Rod Length Inspection

1. Using a handy vacuum pump, apply a vacuum of -66.7 kPa (-500 mmHg, -19.69 inHg) to the brake booster.
2. Check output rod length.

Standard dimension when applying a vacuum of -66.7 kPa (-500 mmHg, -19.69 inHg):

Without VDC : 10.4 mm (0.409 in)

With VDC : -15.7 mm (-0.618 in)

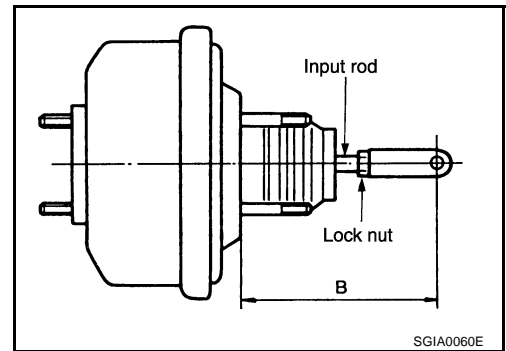


INSTALLATION

1. Loosen the lock nut to adjust the input rod length so that the length "B" (in the figure) satisfies the specified value.

Length "B" : 125 mm (4.92 in)

2. After adjusting "B", temporarily tighten the lock nut to install the brake booster to the vehicle. At this time, securely install a gasket between the brake booster and the dash panel.
3. Connect the brake pedal with the clevis of the input rod.
4. Install the brake booster and brake pedal assembly mounting nuts and tighten them to the specified torque. Refer to [BR-23, "Components"](#).
5. Install brake tube bracket to dash panel.
6. Install vacuum hose to brake booster. Refer to [BR-25, "VACUUM LINES"](#).
7. Install the master cylinder to the brake booster. Refer to [BR-16, "Removal and Installation"](#).
8. Adjust the height and play of the brake pedal. Refer to [BR-7, "ADJUSTMENT"](#).
9. Tighten the lock nut of the input rod to the specified torque. Refer to [BR-23, "Components"](#).
10. Install cowl top cover. Refer to [EI-20, "COWL TOP"](#).
11. Refill new brake fluid and bleed air. Refer to [BR-13, "Bleeding Brake System"](#).



VACUUM LINES

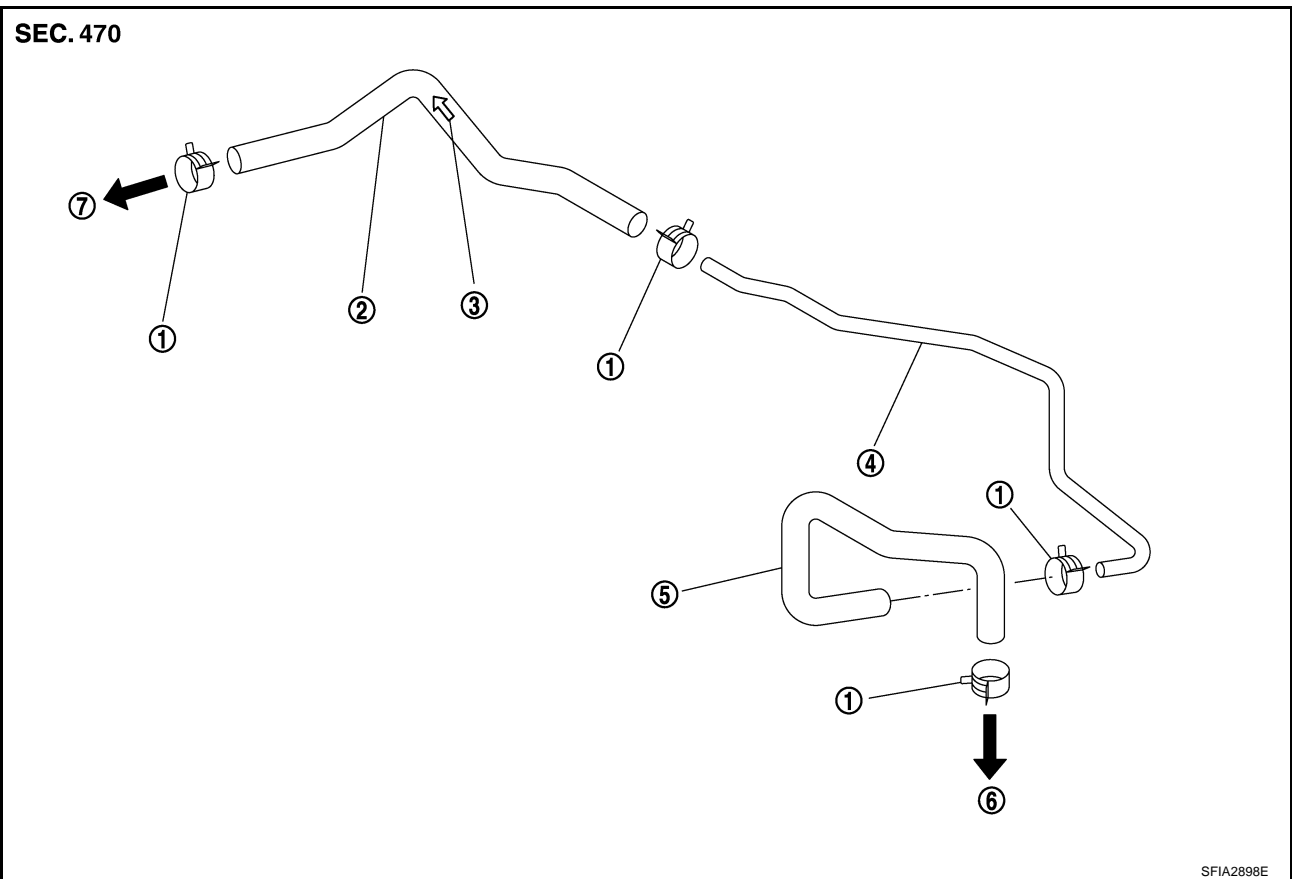
VACUUM LINES

PPF:41920

Components

NFS000HW

SEC. 470



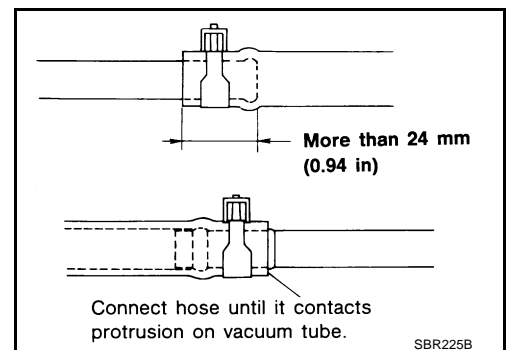
- | | | |
|-----------------------|---------------------------------------|---|
| 1. Clamp | 2. Vacuum hose (built-in check valve) | 3. Check valve inclusion position stamp |
| 4. Vacuum tube | 5. Vacuum hose | 6. To brake booster |
| 7. To intake manifold | | |

Removal and Installation

NFS000EB

CAUTION:

- Because vacuum hose contains a check valve, it must be installed in the correct orientation. Refer to the stamp or label to confirm correct installation. The brake booster will not operate normally if the hose is installed in the wrong direction.
- Insert the vacuum hose for at least 24 mm (0.94 in).
- Do not use lubricating oil during assembly.



Inspection VISUAL INSPECTION

NFS000EC

Check vacuum hose and connections for air tightness, improper attachment, chafing and deterioration. Repair or replace as necessary.

A
B
C
D
E
BR
G
H
I
J
K
L
M

VACUUM LINES

CHECK VALVE INSPECTION

Airtightness Inspection

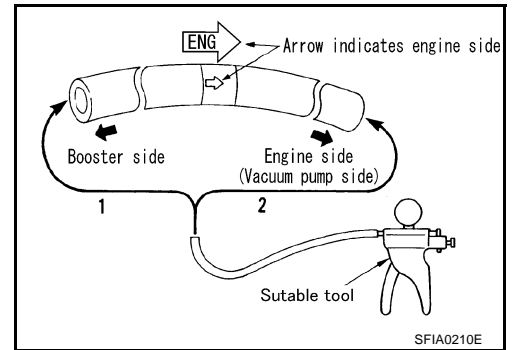
Check vacuum with a handy vacuum pump.

Connected to booster side (1):

Vacuum decrease should be within 1.3 kPa (10 mmHg, 0.39 inHg) for 15 seconds under a vacuum of -66.7 kPa (-500 mmHg, -19.69 inHg)

Connected to engine side (2):

Vacuum should not exist.



FRONT DISC BRAKE

FRONT DISC BRAKE

PFP:41000

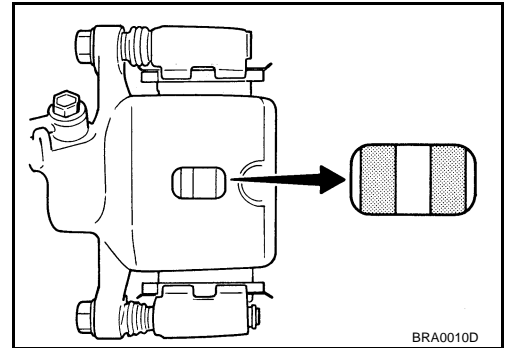
On-Vehicle Inspection PAD WEAR INSPECTION

NFS000ED

- Check the thickness of the pad from inspection hole of the cylinder body. Use a scale for inspection if necessary.

Standard thickness : 9.5 mm (0.374 in)

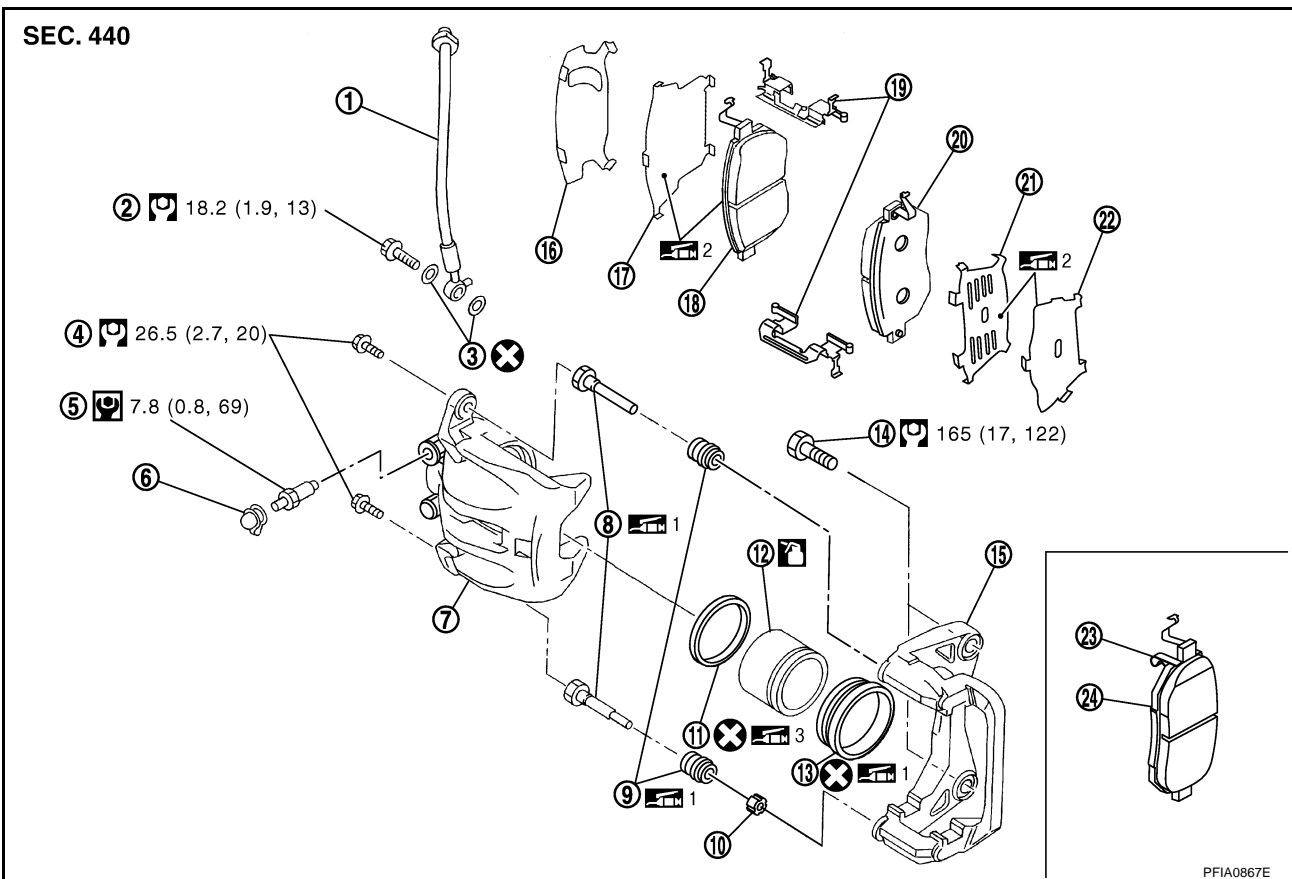
Repair limit thickness : 2.0 mm (0.079 in)



BRA0010D

Components

NFS000EE



PFIA0867E


- | | | |
|----------------------|---------------------------------|---------------------|
| 1. Brake hose | 2. Union bolt | 3. Copper washer |
| 4. Sliding pin bolt | 5. Bleed valve | 6. Cap |
| 7. Cylinder body | 8. Sliding pin | 9. Sliding pin boot |
| 10. Bushing | 11. Piston seal | 12. Piston |
| 13. Piston boot | 14. Torque member mounting bolt | 15. Torque member |
| 16. Inner shim cover | 17. Inner shim | 18. Inner pad |
| 19. Pad retainer | 20. Outer pad | 21. Outer shim |
| 22. Outer shim cover | 23. Pad wear sensor | 24. Inner pad (RH) |


Refer to [GI-10. "Components"](#) and the followings for the symbols in the figure.

1: Apply rubber grease.

2: Apply PBC (Poly Butyl Cuprysil) grease or silicone-based grease.

FRONT DISC BRAKE

 3: Apply polyglycol ether based lubricant.

 : Apply brake fluid.

WARNING:

- Clean dust on caliper and brake pad with a vacuum dust collector to minimize the hazard of airborne particles or other materials.

CAUTION:

- While removing cylinder body, never depress the brake pedal because the piston will pop out.
- It is not necessary to remove bolts on torque member and brake hose except for disassembly or replacement of the caliper assembly. In this case, suspend cylinder body with wire so as not to stretch brake hose.
- Do not damage piston boot.
- If any shim is subject to serious corrosion, replace it with a new one.
- Always replace shims and shim covers as a set when replacing brake pads.
- Burnish the brake contact surface after refinishing or replacing rotors, after replacing pads, or if a soft pedal occurs at very low mileage. Refer to [BR-32, "BRAKE BURNISHING PROCEDURE"](#).

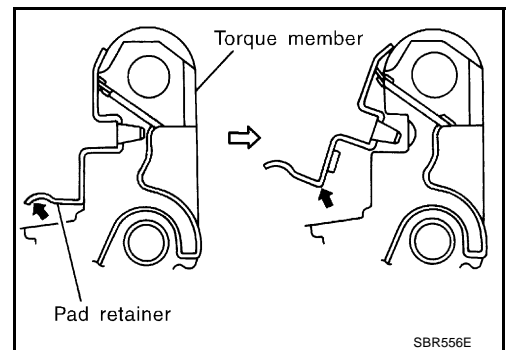
Removal and Installation of Brake Pad

REMOVAL

1. Remove tires from vehicle with power tool.
2. Remove lower sliding pin bolt.
3. Suspend cylinder body with a wire, and remove the pads, shims and shim covers from the torque member.

CAUTION:

When removing the pad retainer from the torque member, lift the pad retainer in the arrow direction (shown in the figure) so as not to deform it.



INSTALLATION

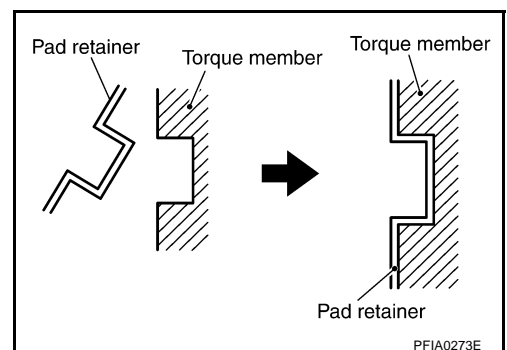
1. Apply PBC (Poly Butyl Cuprysil) grease or silicone-based grease to between inner pad and inner shim, outer shim and outer shim cover. Install the inner shim and inner shim cover to the inner pad and the outer shim and outer shim cover to the outer pad.
2. Push the piston in so that the pad is attached and then attach the cylinder body to the torque member.

NOTE:

Using a disc brake piston tool (commercial service tool), etc., makes it easier to push in the piston.

CAUTION:

- By pushing in the piston, the brake fluid returns to the master cylinder sub-tank. Watch the level of the surface of the sub-tank.
 - When installing the pad retainer, install it firmly so that it does not float up from groove of the torque member, as shown in the figure.
3. Install lower sliding pin bolt, and tighten it to the specified torque. Refer to [BR-27, "Components"](#).
 4. Check brake for drag.
 5. Install the tires to the vehicle.



FRONT DISC BRAKE

NFS000EG

Removal and Installation of Brake Caliper Assembly

REMOVAL

1. Remove tires from vehicle a with power tool.
2. Drain brake fluid. Refer to [BR-12, "Drain and Refill"](#).
3. Remove union bolts and torque member mounting bolts, and remove brake caliper assembly.

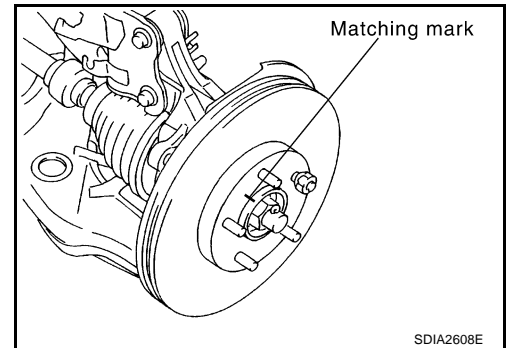
CAUTION:

Do not drop brake pad.

4. Remove disc rotor.

CAUTION:

Put matching marks on wheel hub assembly and disc rotor, if it is necessary to remove disc rotor.



INSTALLATION

CAUTION:

- Refill with new brake fluid "DOT3".
- Do not reuse drained brake fluid.

1. Install disc rotor.

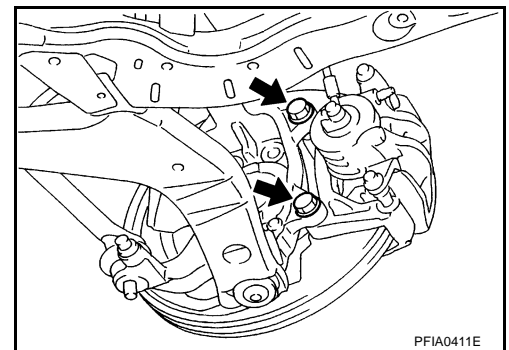
CAUTION:

Put matching marks on wheel hub assembly and disc rotor at the time of removal when reusing disc rotor.

2. Install caliper assembly to the vehicle, and tighten torque member mounting bolts to the specified torque. Refer to [BR-27, "Components"](#).

CAUTION:

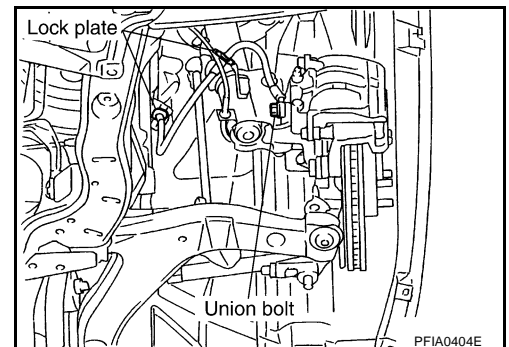
Do not allow oil or any moisture on all contact surfaces between steering knuckle and brake caliper assembly, torque member mounting bolts.



3. Install brake hose by aligning with the protrusion on brake caliper assembly, and tighten union bolts to the specified torque. Refer to [BR-27, "Components"](#).

CAUTION:

Do not reuse the copper washer for union bolts.



4. Refill new brake fluid and bleed air. Refer to [BR-13, "Bleeding Brake System"](#).
5. Check front disc brake for drag.
6. Install the tires to the vehicle.

FRONT DISC BRAKE

Disassembly and Assembly of Brake Caliper Assembly

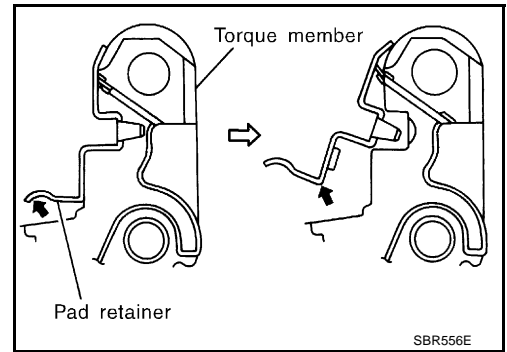
NFS000EH

DISASSEMBLY

1. Remove slide pin bolts, and then remove the pads, shims, shim covers, and pad retainers from torque member.

CAUTION:

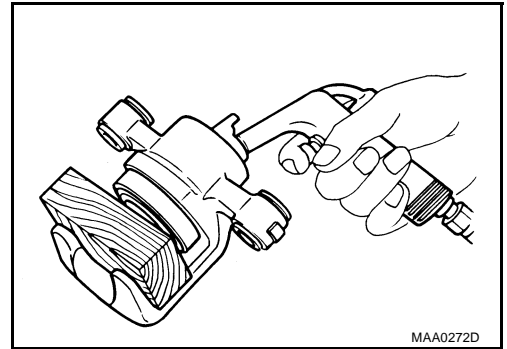
When removing the pad retainer from the torque member, lift it in the direction indicated by the arrow in the figure so that it does not deform.



2. Remove sliding pins and sliding pin boots from torque member.
3. Place a wooden block as shown in the figure, and blow air from union bolt mounting hole to remove piston and piston boot.

CAUTION:

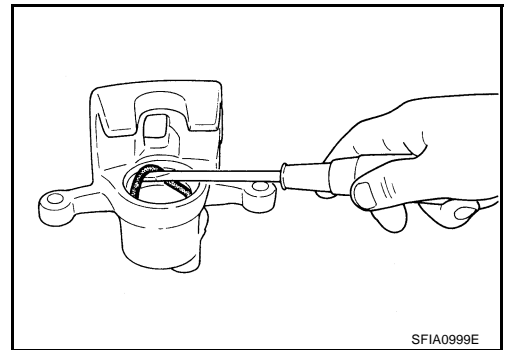
Do not get your fingers caught in the piston.



4. Using a flat-bladed screwdriver, remove piston seal from cylinder body.

CAUTION:

Be careful not to damage cylinder inner wall.



CALIPER INSPECTION

Cylinder Body

CAUTION:

- Use new brake fluid to clean. Do not use mineral oils such as gasoline or kerosene.
- Check inside surface of cylinder for score, rust, wear, damage or presence of foreign materials. If any of the above conditions are observed, replace cylinder body.
- Minor damage from rust or foreign materials may be eliminated by polishing surface with a fine emery paper. Replace cylinder body if necessary.

Torque Member

Check for wear, cracks, and damage. If damage or deformation is present, replace the affected part.

Piston

CAUTION:

- Piston sliding surface is plated, do not polish with emery paper even if rust or foreign materials are stuck to sliding surface.
- Check piston for score, rust, wear, damage or presence of foreign materials. Replace if any of the above conditions are observed.

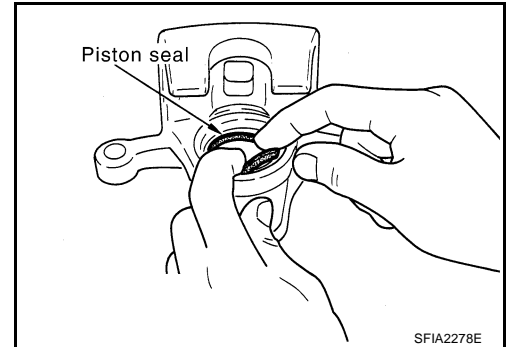
FRONT DISC BRAKE

Sliding Pin, Sliding Pin Bolt and Sliding Pin Boot

Check sliding pin, sliding pin bolt and sliding pin boot for wear, damage, and cracks. If damage or deformation is present, replace the applicable part.

ASSEMBLY

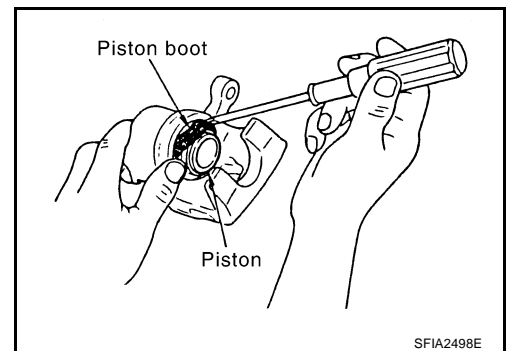
1. Apply polyglycol ether based lubricant to the piston seal, and install them to the cylinder body.



2. Apply rubber grease to the piston boot, cover the piston end with piston boot, and then install cylinder side lip on piston boot securely into a groove on cylinder body.

CAUTION:

Do not reuse the piston boot.

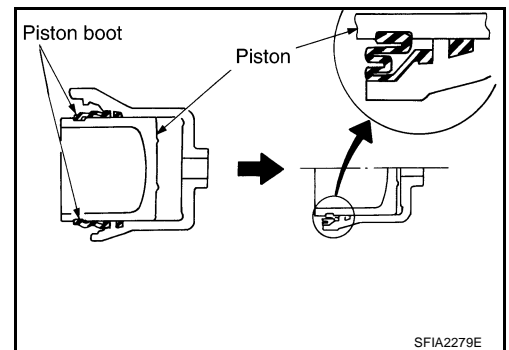


3. Apply brake fluid to piston. Push piston into cylinder body by hand and push piston boot piston side lip into the piston groove.

CAUTION:

Press the piston evenly and vary the pressing point to prevent cylinder inner wall from being rubbed.

4. Install sliding pins and sliding pin boots to torque member.



5. Apply PBC (Poly Butyl Cuprysil) grease or silicone-based grease to between inner pad and inner shim, outer shim and outer shim cover. Install the inner shim and inner shim cover to the inner pad and the outer shim and outer shim cover to the outer pad.
6. Install cylinder body. Tighten sliding pin bolt to the specified torque. Refer to [BR-27, "Components"](#).

FRONT DISC BRAKE

DISC ROTOR INSPECTION

Visual Inspection

Check surface of the disc rotor for uneven wear, cracks, and serious damage. If any of them is detected, replace applicable part.

Runout Inspection

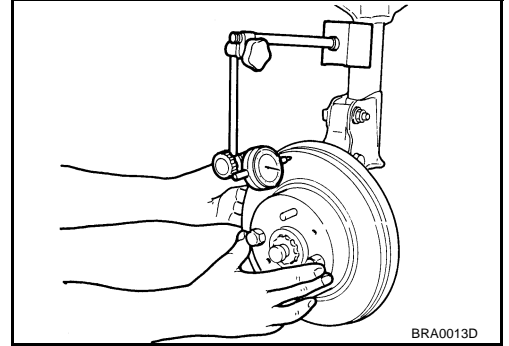
1. Using wheel nuts, fix disc rotor to the wheel hub. (2 or more positions)
2. Check runout using a dial gauge. [measured at 10 mm (0.39 in) inside the disc edge]

**Runout limit
(with it attached to the vehicle)** : 0.04 mm (0.0016 in)

NOTE:

Make sure that wheel bearing axial end play is within the specifications before measuring runout. Refer to [FAX-6, "FRONT WHEEL HUB AND KNUCKLE"](#).

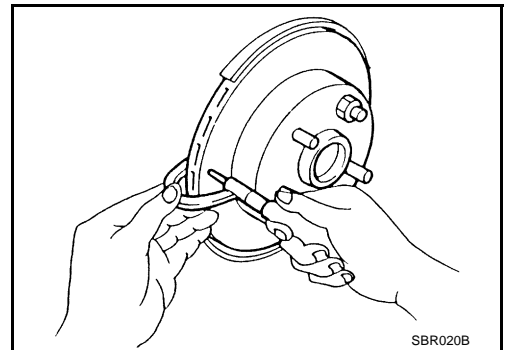
3. If runout is outside the limit, find the minimum runout point by shifting mounting positions of the disc rotor and wheel hub by one hole.
4. If runout still out of specification, turn rotor with on-car brake lathe ("MAD, DL-8700", "AMMCO 700 and 705" or equivalent).



Thickness Inspection

Using a micrometer, check thickness of the disc rotor. Replace disc rotor if thickness is under the wear limit.

Standard thickness : 28.0 mm (1.102 in)
Wear limit : 26.0 mm (1.024 in)
**Thickness variation
(measured at 8 positions)** : 0.015 mm (0.0006 in)



BRAKE BURNISHING PROCEDURE

Burnish the brake contact surface according to the following procedure after refinishing or replacing rotors, after replacing pads, or if a soft pedal occurs at very low mileage.

CAUTION:

Only perform this procedure under safe road and traffic conditions. Use extreme caution.

1. Drive the vehicle on a straight smooth road at 50 km/h (31 MPH).
2. Use medium brake pedal /foot effort to bring the vehicle to a complete stop from 50 km/h (31 MPH). Adjust brake pedal /foot pressure such that vehicle stopping time equals 3 to 5 seconds.
3. To cool the brake system, drive the vehicle at 50 km/h (31 MPH) for 1 minute without stopping.
4. Repeat steps 1 to 3, 10 times or more to complete the burnishing procedure.

REAR DISC BRAKE

REAR DISC BRAKE

PFP:44000

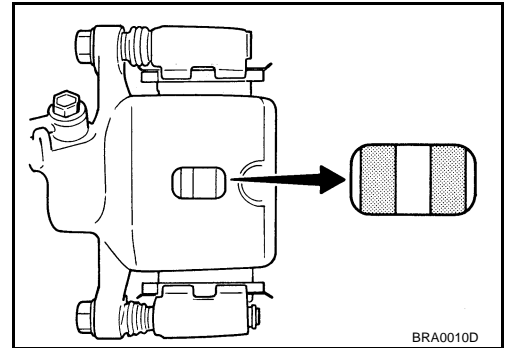
On-Vehicle Inspection PAD WEAR INSPECTION

NFS000E1

- Check the thickness of the pad from inspection hole of the cylinder body. Use a scale for inspection if necessary.

Standard thickness : 8.5 mm (0.335 in)

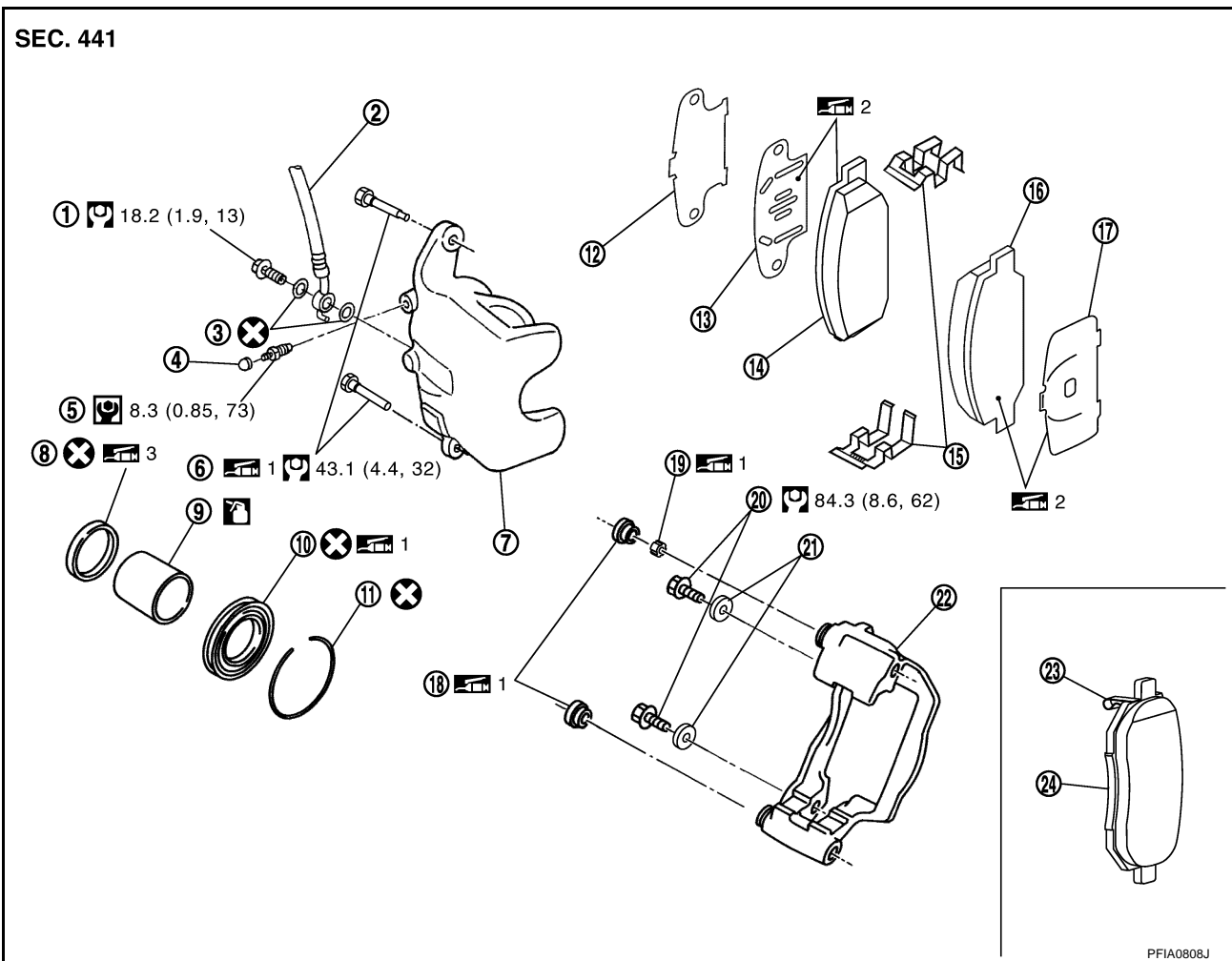
Repair limit thickness : 2.0 mm (0.079 in)



BRA0010D

Components

NFS000EJ







PFIA0808J

- | | | |
|-------------------|---------------------------------|----------------------|
| 1. Union bolt | 2. Brake hose | 3. Copper washer |
| 4. Cap | 5. Bleed valve | 6. Sliding pin bolt |
| 7. Cylinder body | 8. Piston seal | 9. Piston |
| 10. Piston boot | 11. Retaining ring | 12. Inner shim cover |
| 13. Inner shim | 14. Inner pad | 15. Pad retainer |
| 16. Outer pad | 17. Outer shim | 18. Slide pin boot |
| 19. Bushing | 20. Torque member mounting bolt | 21. Washer |
| 22. Torque member | 23. Pad wear sensor | 24. Inner pad (RH) |

Refer to [GI-10. "Components"](#) and the followings for the symbols in the figure.

REAR DISC BRAKE

-  1: Apply rubber grease.
-  2: Apply PBC (Poly Butyl Cuprysil) grease or silicon-based grease.
-  3: Apply polyglycol ether based lubricant.
-  : Apply brake fluid.

WARNING:

- Clean dust on caliper and brake pad with a vacuum dust collector to minimize the hazard of airborne particles or other materials.

CAUTION:

- While removing cylinder body, never depress the brake pedal because the piston will pop out.
- It is not necessary to remove bolts on torque member and brake hose except for disassembly or replacement of the caliper assembly. In this case, suspend cylinder body with a wire so as not to stretch brake hose.
- Do not damage piston boot.
- If any shim is subject to serious corrosion, replace it with a new one.
- Always replace shims and shim covers as a set when replacing brake pads.
- Burnish the brake contact surface after refinishing or replacing rotors, after replacing pads, or if a soft pedal occurs at very low mileage. Refer to [BR-38, "BRAKE BURNISHING PROCEDURE"](#) .

Removal and Installation of Brake Pad

NFS000EK

REMOVAL

1. Remove tires from vehicle with power tool.
2. Remove sliding pin bolt (one on top).
3. Suspend cylinder body with a wire, and remove pads, pad retainers, shims and shim cover from torque member.

INSTALLATION

1. Apply PBC (Poly Butyl Cuprysil) grease or silicon-based grease to between pad and shim. Install the inner shim and shim cover to the inner pad, and the outer shim to the outer pad.
2. Install the pad retainers and pads to the torque member.
3. Push the piston in so that the pad is attached and then attach the cylinder body to the torque member.

NOTE:

Using a disc brake piston tool (commercial service tool), etc., makes it easier to push in the piston.

CAUTION:

By pushing in the piston, the brake fluid returns to the master cylinder sub-tank. Watch the level of the surface of the sub-tank.

4. Install the sliding pin bolt (one on top) and tighten to the specified torque. Refer to [BR-33, "Components"](#) .
5. Check brake for drag.
6. Install the tires to the vehicle.

Removal and Installation of Brake Caliper Assembly

NFS000EL

REMOVAL

1. Remove tires from vehicle with power tool.
2. Drain brake fluid. Refer to [BR-12, "Drain and Refill"](#) .
3. Remove union bolts and torque member mounting bolts, and remove brake caliper assembly.

CAUTION:

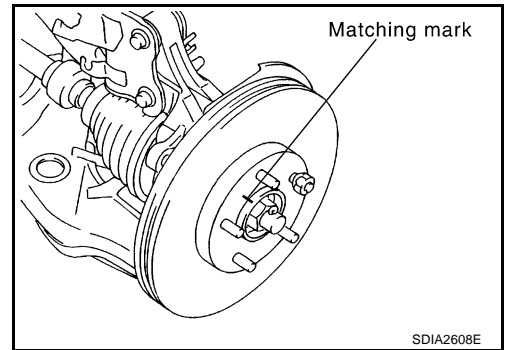
Do not drop brake pad.

REAR DISC BRAKE

4. Remove disc rotor.

CAUTION:

Put matching marks on wheel hub assembly and disc rotor, if it necessary to remove disc rotor.



A
B
C
D
E

INSTALLATION

CAUTION:

- Refill with new brake fluid “DOT 3”.
- Do not reuse drained brake fluid.

1. Install disc rotor.

CAUTION:

Put matching marks on wheel hub assembly and disc rotor at the time of removal when reusing disc rotor.

2. Install caliper assembly to the vehicle, and tighten torque member mounting bolts to the specified torque. Refer to [BR-33, "Components"](#).

CAUTION:

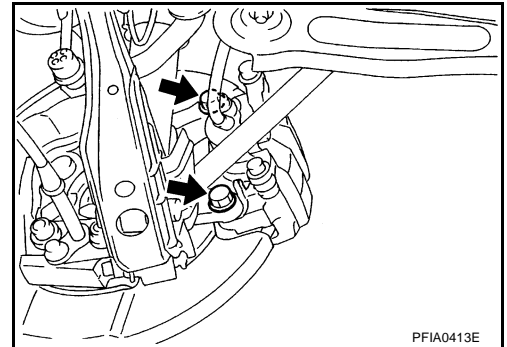
Do not allow oil or any moisture on all contact surfaces between steering knuckle and brake caliper assembly, torque member mounting bolts, washers.

3. Install brake hose to the brake caliper assembly positioning hole and tighten union bolt to the specified torque. Refer to [BR-33, "Components"](#).

CAUTION:

- Do not reuse the copper washer for union bolts.
- Attach brake hose to the brake hose mounting boss.

4. Refill new brake fluid and bleed air. Refer to [BR-13, "Bleeding Brake System"](#).
5. Check rear disc brake for drag.
6. Install the tires to the vehicle.



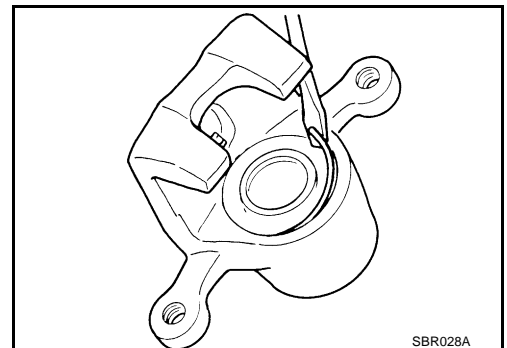
BR

G
H
I
J
K

Disassembly and Assembly of Brake Caliper Assembly

DISASSEMBLY

1. Remove slide pin bolts, and then remove the pads, shims, shim cover, and pad retainers from torque member.
2. Remove sliding pin boots from torque member.
3. As shown in the figure, using a flat-bladed screwdriver, remove retaining ring from cylinder body.



NFS000EM

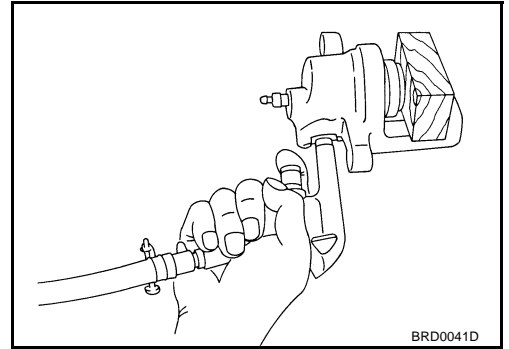
L
M

REAR DISC BRAKE

- Place a wooden block as shown in the figure, and blow air from union bolt mounting hole to remove pistons and piston boots.

CAUTION:

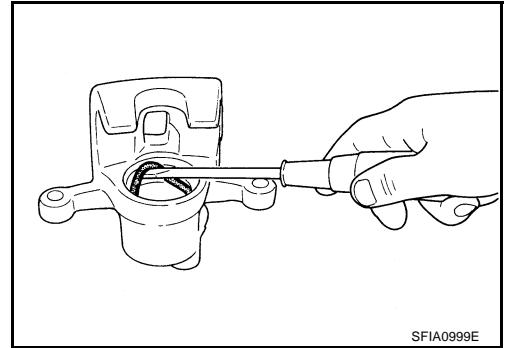
Do not get your fingers caught in the piston.



- Using a flat-bladed screwdriver, remove piston seals from cylinder body.

CAUTION:

Be careful not to damage cylinder inner wall.



CALIPER INSPECTION

Cylinder Body

CAUTION:

- Use new brake fluid to clean. Do not use mineral oils such as gasoline or kerosene.
- Check inside surface of cylinder for score, rust, wear, damage or presence of foreign materials. If any of these conditions are observed, replace cylinder body.
- Minor damage from rust or foreign materials may be eliminated by polishing surface with a fine emery paper. Replace cylinder body if necessary.

Torque Member

Check for wear, cracks, and damage. If damage or deformation is present, replace the affected part.

Piston

CAUTION:

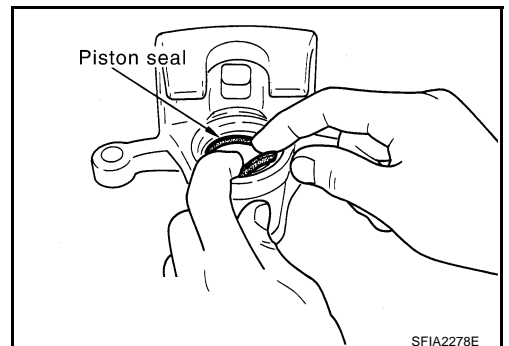
- Piston sliding surface is plated, do not polish with emery paper even if rust or foreign materials are stuck to sliding surface.
- Check piston for score, rust, wear, damage or presence of foreign materials. Replace if any of the above conditions are observed.

Sliding Pin Bolt and Sliding Pin Boot

Check sliding pin bolt and sliding pin boot for wear, damage, and cracks. If damage or deformation is present, replace the applicable part.

ASSEMBLY

- Apply polyglycol ether based lubricant to the piston seal, and install them to the cylinder body.

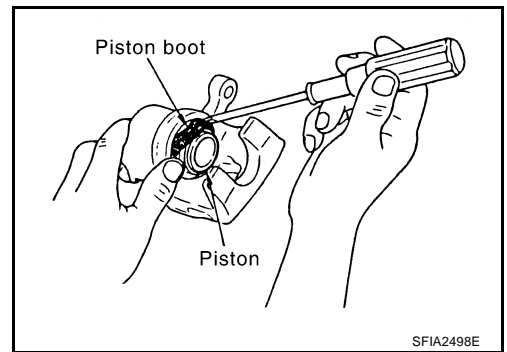


REAR DISC BRAKE

2. Apply rubber grease to the piston boot, cover the piston end with piston boot, and then install cylinder side lip on piston boot securely into a groove on cylinder body.

CAUTION:

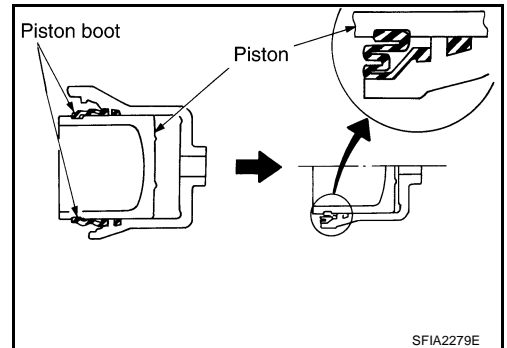
Do not reuse the piston boot.



3. Apply brake fluid to piston. Push piston into cylinder body hand to push piston boot piston side lip into the piston groove.

CAUTION:

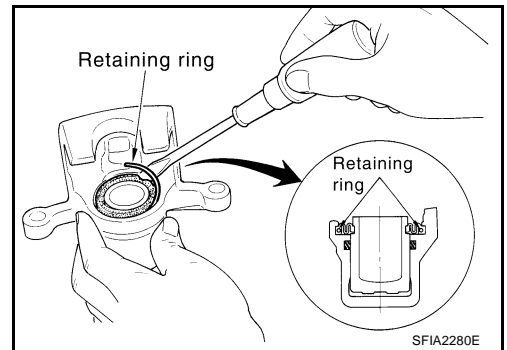
Press the piston evenly and vary the pressing point to prevent cylinder inner wall from being rubbed.



4. Fix piston boot with retaining ring.

CAUTION:

- **Make sure the boot is firmly in the cylinder body groove.**
- **Do not reuse the retaining ring.**

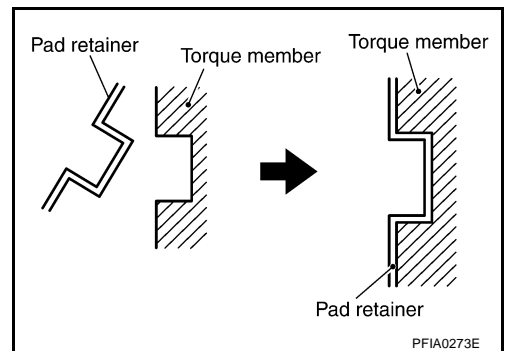


5. Install the sliding pin boot to the torque member.
6. Apply PBC (Poly Butyl Cuprysil) grease or silicon-based grease to between pad and shim. Install the inner shim and shim cover to the inner pad, and the outer shim to the outer pad.
7. Install the pad retainers and pads to the torque member.

CAUTION:

When installing the pad retainer, install it firmly so that it does not float up from groove of the torque member, as shown in the figure.

8. Install cylinder body. Tighten sliding pin bolts to the specified torque. Refer to [BR-33, "Components"](#).



A
B
C
D
E
BR
G
H
I
J
K
L
M

REAR DISC BRAKE

DISC ROTOR INSPECTION

Visual Inspection

Check surface of the disc rotor for uneven wear, cracks, and serious damage. If any of them is detected, replace applicable part.

Runout Inspection

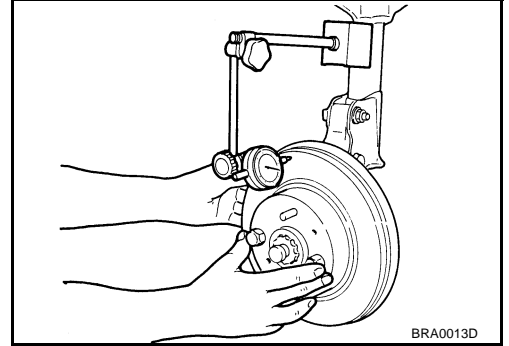
1. Using wheel nuts, fix disc rotor to the wheel hub. (2 or more positions)
2. Check runout using a dial gauge. [measured at 10 mm (0.39 in) inside the disc edge]

Runout limit : **0.05 mm (0.0020 in)**
(with it attached to the vehicle)

NOTE:

Make sure that wheel bearing axial end play is within the specifications before measuring runout. Refer to [RAX-5. "WHEEL HUB"](#).

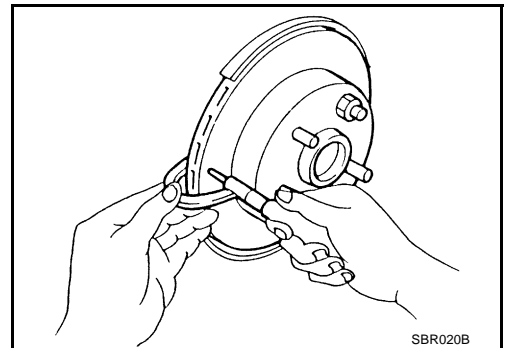
3. If runout is outside the limit, find the minimum runout point by shifting mounting positions of the disc rotor and wheel hub by one hole.
4. Replace disc rotor if it is outside wear limit after performing the above operation.



Thickness Inspection

Using a micrometer, check thickness of the disc rotor. Replace disc rotor if thickness is under the wear limit.

Standard thickness : **16.0 mm (0.630 in)**
Wear limit : **14.0 mm (0.551 in)**
Thickness variation : **0.015 mm (0.0006 in)**
(measured at 8 positions)



BRAKE BURNISHING PROCEDURE

Burnish the brake contact surface according to the following procedure after refinishing or replacing rotors, after replacing pads, or if a soft pedal occurs at very low mileage.

CAUTION:

Only perform this procedure under safe road and traffic conditions. Use extreme caution.

1. Drive the vehicle on a straight smooth road at 50 km/h (31 MPH).
2. Use medium brake pedal /foot effort to bring the vehicle to a complete stop from 50 km/h (31 MPH). Adjust brake pedal /foot pressure such that vehicle stopping time equals 3 to 5 seconds.
3. To cool the brake system, drive the vehicle at 50 km/h (31 MPH) for 1 minute without stopping.
4. Repeat steps 1 to 3, 10 times or more to complete the burnishing procedure.

SERVICE DATA AND SPECIFICATIONS (SDS)

SERVICE DATA AND SPECIFICATIONS (SDS)

PPF:00030

General Specifications

NFS000EN

Unit: mm (in)

Front brake	Cylinder bore diameter		63.6 (2.504)
	Pad length × width × thickness		111 × 63.5 × 9.5 (4.37 × 2.500 × 0.374)
	Rotor outer diameter × thickness		320 × 28 (12.60 × 1.10)
Rear brake	Cylinder bore diameter		42.86 (1.6874)
	Pad length × width × thickness		83.0 × 33.0 × 8.5 (3.268 × 1.299 × 0.335)
	Rotor outer diameter × thickness		308 × 16 (12.13 × 0.63)
Master cylinder	Cylinder bore diameter		25.4 (1.0)
Control valve	Valve type		Electric brake force distribution
Brake booster	Diaphragm diameter	Primary	228.5 (9.0)
		Secondary	203 (8.0)
Recommended brake fluid			DOT 3

Brake Pedal

NFS000EO

Brake pedal height (from dash lower panel top surface)	199.5 – 209.5 mm (7.85 – 8.25 in)
Depressed pedal height [under a force of 490 N (50 kg, 110 lb) with engine running]	More than 120 mm (4.72 in)
Clearance between threaded end of stop lamp switch/ASCD cancel switch and bracket	0.74 – 1.96 mm (0.0291 – 0.0772 in)
Pedal play	3 – 11 mm (0.12 – 0.43 in)

Brake Booster

NFS000EP

Vacuum type

Output rod length	Without VDC	10.4 mm (0.409 in)
	With VDC	-15.7 mm (-0.618 in)
Input rod length	125 mm (4.92 in)	

Check Valve

NFS000EQ

Vacuum leakage [at vacuum of -66.7 kPa (-500 mmHg, -19.69 inHg)]	Within 1.3 kPa (10 mmHg, 0.39 inHg) of vacuum for 15 seconds
---	--

Front Disc Brake

NFS000ER

Brake pad	Standard thickness	9.5 mm (0.374 in)
	Repair limit thickness	2.0 mm (0.079 in)
Disc rotor	Standard thickness	28.0 mm (1.102 in)
	Wear limit	26.0 mm (1.024 in)
	Thickness variation (measured at 8 positions)	0.015 mm (0.0006 in)
	Runout limit (with it attached to the vehicle)	0.04 mm (0.0016 in)

Rear Disc Brake

NFS000ES

Brake pad	Standard thickness	8.5 mm (0.335 in)
	Repair limit thickness	2.0 mm (0.079 in)
Disc rotor	Standard thickness	16.0 mm (0.630 in)
	Wear limit	14.0 mm (0.551 in)
	Thickness variation (measured at 8 positions)	0.015 mm (0.0006 in)
	Runout limit (with it attached to the vehicle)	0.05 mm (0.0020 in)

SERVICE DATA AND SPECIFICATIONS (SDS)
