

A
B
C
D
E
F
G
H
J
K
L
M

SECTION **BL**

BODY, LOCK & SECURITY SYSTEM

CONTENTS

PRECAUTIONS	5	RADIATOR CORE SUPPORT	19
Precautions for Supplemental Restraint System (SRS) "AIR BAG" and "SEAT BELT PRE-TENSIONER"	5	Removal and Installation	19
Precautions for Work	5	REMOVAL	19
PREPARATION	6	INSTALLATION	21
Special Service Tools	6	FRONT FENDER	22
Commercial Service Tools	6	Removal and Installation	22
SQUEAK AND RATTLE TROUBLE DIAGNOSIS	7	REMOVAL	22
Work Flow	7	INSTALLATION	22
CUSTOMER INTERVIEW	7	POWER DOOR LOCK SYSTEM	23
DUPLICATE THE NOISE AND TEST DRIVE	8	Component Parts and Harness Connector Location..	23
CHECK RELATED SERVICE BULLETINS	8	System Description	24
LOCATE THE NOISE AND IDENTIFY THE ROOT CAUSE	8	FUEL LID OPERATION	25
REPAIR THE CAUSE	8	POWER WINDOW SERIAL LINK	26
CONFIRM THE REPAIR	9	OUTLINE	26
Generic Squeak and Rattle Troubleshooting	9	CAN Communication System Description	27
INSTRUMENT PANEL	9	CAN Communication Unit	27
CENTER CONSOLE	9	Schematic / With Intelligent Key	28
DOORS	9	Wiring Diagram -D/LOCK- / With Intelligent Key ...	29
TRUNK	10	FIG. 1	29
SUNROOF/HEADLINING	10	FIG. 2	30
SEATS	10	FIG. 3	31
UNDERHOOD	10	FIG. 4	32
Diagnostic Worksheet	11	FIG. 5	33
HOOD	13	Schematic / Without Intelligent Key	34
Fitting Adjustment	13	Wiring Diagram -D/LOCK- / Without Intelligent Key..	35
LONGITUDINAL AND LATERAL CLEARANCE ADJUSTMENT	14	FIG. 6	35
FRONT END HEIGHT ADJUSTMENT	14	FIG. 7	36
SURFACE HEIGHT ADJUSTMENT	14	FIG. 8	37
Removal and Installation of Hood Assembly	15	FIG. 9	38
REMOVAL	15	Terminals and Reference Value for BCM	39
INSTALLATION	15	CONSULT-II Function (BCM)	40
Removal and Installation of Hood Lock Control	16	CONSULT-IIBASICOPERATIONPROCEDURE	40
REMOVAL	16	CONSULT-II APPLICATION ITEMS	41
INSTALLATION	17	Work Flow	43
Hood Lock Control Inspection	17	Trouble Diagnoses Chart by Symptom	43
		Power Supply and Ground Circuit Check	44
		Check Door Switch	45
		CHECKDOORSWITCH(EXCEPTBACKDOOR SWITCH)	45

CHECK BACK DOOR SWITCH	47	INTELLIGENT KEY REGISTRATION	102
Check Key Switch	49	STEERING LOCK UNIT REGISTRATION	102
Check Door Lock and Unlock Switch	51	CAN Communication System Description	102
Check Door Lock Actuator (Driver Side)	53	CAN Communication Unit	102
Check Door Lock Actuator (Passenger Side and Rear LH/RH)	54	Schematic	103
Check Door Key Cylinder Switch/Without Intelligent Key System	55	Wiring Diagram — I/KEY—	105
Check Door Key Cylinder Switch / With Intelligent Key System	56	Terminals and Reference Value for Intelligent Key Unit	118
Check Select Unlock Relay Circuit	57	Terminals and Reference Value for Steering Lock Unit	120
Check Fuel Lid Lock Actuator	57	Terminals and Reference Value for BCM	120
REMOTE KEYLESS ENTRY SYSTEM	59	Terminals and Reference Value for IPDM E/R	121
Component Parts and Harness Connector Location ..	59	Trouble Diagnosis Procedure	122
System Description	60	PRELIMINALY CHECK	122
INPUTS	60	WORK FLOW	123
OPERATED PROCEDURE	61	CONSULT-II Functions (INTELLIGENT KEY)	124
CAN Communication System Description	63	CONSULT-II Inspection Procedure	124
CAN Communication Unit	63	BASIC OPERATION	124
Schematic	64	CONSULT-II Application Items	125
Wiring Diagram — KEYLES—	65	SELF-DIAGNOSTIC RESULTS	125
FIG. 1	65	DATA MONITOR	125
FIG. 2	66	WORK SUPPORT	126
FIG. 3	67	ACTIVE TEST	127
Terminals and Reference Value for BCM	68	Trouble Diagnosis Symptom Chart	128
Terminals and Reference Value for IPDM E/R	68	KEY WARNING LAMP ILLUMINATES GREEN	128
CONSULT-II Function	70	KEY WARNING LAMP ILLUMINATES RED	128
CONSULT-II Inspection Procedure	70	KEY WARNING LAMP DOES NOT ILLUMINATE	129
“MULTI REMOTE ENT”	70	SELF-DIAGNOSIS RESULTS ARE NOT DIS- PLAYED	129
CONSULT-II Application Items	71	ENGINE START CONDITION CHECK	129
“MULTI REMOTE CONTENT”	71	DOOR LOCK/UNLOCK FUNCTION MALFUNC- TION	130
Work Flow	73	REMOTE KEYLESS ENTRY FUNCTION MAL- FUNCTION	131
Trouble Diagnosis Chart by Symptom	74	HAZARD AND HORN REMINDER FUNCTION MALFUNCTION	132
Check Key Fob Battery	75	POWER WINDOW DOWN FUNCTION MAL- FUNCTION	132
Check Key Fob Function	75	WARNING CHIME FUNCTION MALFUNCTION	132
Check ACC Power Supply Circuit	76	WARNING LAMP FUNCTION MALFUNCTION	134
Check Door Switch	77	Check CAN Communication System	135
CHECK DOOR SWITCH (EXCEPT BACK DOOR SWITCH)	77	Check Power Supply and Ground Circuit	135
CHECK BACK DOOR SWITCH	79	Check Key Switch (Intelligent Key Unit Input)	136
Check Key Switch	81	Check Key Switch (BCM Input)	137
Check IPDM E/R Operation	82	Check Ignition Knob Switch	138
Check Hazard Function	83	Check Door Switch	140
Check Horn Function	83	CHECK DOOR SWITCH (EXCEPT BACK DOOR SWITCH)	140
Check Headlamp Function	83	CHECK BACK DOOR SWITCH	142
Check Room Lamp and Ignition Keyhole Illumina- tion Function	83	Check Door Request Switch	143
ID Code Entry Procedure	84	Check Unlock Sensor	145
KEY FOB ID SET UP WITH CONSULT-II	84	Check Intelligent Key Warning Buzzer (Inside)	146
KEY FOB ID SET UP WITHOUT CONSULT-II	86	Check Intelligent Key Warning Buzzer (ENGINE ROOM)	147
Key Fob Battery Replacement	87	Check Outside Key Antenna	149
INTELLIGENT KEY SYSTEM	88	CHECK OUTSIDE KEY ANTENNA (DRIVER SIDE)	149
Component Parts and Harness Connector Location ..	88	CHECK OUTSIDE KEY ANTENNA (PASSEN- GER SIDE)	152
System Description	90		
DOOR LOCK/UNLOCK FUNCTION	91		
REMOTE KEYLESS ENTRY FUNCTIONS	95		
ENGINE START FUNCTION	98		
WARNING CHIME FUNCTION	99		
CHANGE SETTINGS FUNCTION	101		

CHECK OUTSIDE KEY ANTENNA (REAR BUMPER)	154	INSTALLATION	183	
Check Inside Key Antenna	156	Emergency unlock lever	184	A
Check Steering Lock Unit	157	BACK DOOR LOCK ASSEMBLY	185	
Check Stop Lamp Switch	159	Removal and Installation of Back Door Lock	185	B
Check Park Position Switch	160	REMOVAL	185	
Check Select Unlock Relay	162	INSTALLATION	185	
Check "P-SHIFT" Warning Lamp	163	INSPECTION	185	
Check "KEY" Warning Lamp (RED)	165	Removal and Installation of Back Door Opener switch	186	C
Check "KEY" Warning Lamp (GREEN)	166	REMOVAL	186	
Check Hazard Function	167	INSTALLATION	186	
Check Horn Function	167	BACK DOOR OPENER	187	D
Check IPDM E/R Operation	168	Component Parts and Harness Connector Location	187	
Removal and Installation of Intelligent Key Unit ..	168	System Description / Without Intelligent Key	187	
REMOVAL	168	System Description / With Intelligent Key	188	E
INSTALLATION	168	INTELLIGENT KEY OPERATION	189	
Intelligent Key Battery Replacement	169	Schematic / With Intelligent Key	190	
INTELLIGENT KEY BATTERY INSPECTION ..	169	Wiring Diagram —B/DOOR— / With Intelligent Key ..	191	F
DOOR	170	Wiring Diagram —B/DOOR— / Without Intelligent Key ..	194	
Fitting Adjustment	170	Terminals and Reference Value for BCM	196	G
FRONT DOOR	170	Terminals and Reference Value for INTELLIGENT KEY UNIT	196	
REAR DOOR	170	Trouble Diagnosis	197	H
STRIKER ADJUSTMENT	171	BACK DOOR DOSE NOT OPEN WITH BACK DOOR OPENER SWITCH / WITHOUT INTELLIGENT KEY SYSTEM	197	
Removal and Installation of Front Door	171	BACK DOOR DOSE NOT OPEN WITH BACK DOOR OPENER SWITCH/WITH INTELLIGENT KEY SYSTEM	201	
REMOVAL	171	BACK DOOR DOSE NOT OPEN WITH BACK DOOR REQUEST SWITCH	204	J
INSTALLATION	172	VEHICLE SECURITY (THEFT WARNING) SYSTEM 205		
Removal and Installation of Rear Door	172	Component Parts and Harness Connector Location	205	
REMOVAL	172	System Description	207	K
INSTALLATION	173	DESCRIPTION	207	
Door Weatherstrip	173	POWER SUPPLY AND GROUND	208	
REMOVAL	173	INITIAL CONDITION TO ACTIVATE THE SYSTEM	208	L
INSTALLATION	173	VEHICLE SECURITY SYSTEM ALARM OPERATION	208	
FRONT DOOR LOCK	174	VEHICLE SECURITY SYSTEM DEACTIVATION	209	M
Component Structure	174	PANIC ALARM OPERATION	209	
Removal and Installation	174	CAN Communication System Description	209	
REMOVAL	174	CAN Communication Unit	209	
INSTALLATION	176	Schematic / With Intelligent Key	210	
REAR DOOR LOCK	177	Wiring Diagram -VEHSEC- / With Intelligent Key ..	211	
Component Structure	177	FIG. 1	211	
Removal and Installation	177	FIG. 2	212	
REMOVAL	177	FIG. 3	213	
INSTALLATION	179	FIG. 4	214	
BACK DOOR	180	FIG. 5	215	
Fitting Adjustment	180	Schematic / Without Intelligent Key	216	
VERTICAL/LATERAL CLEARANCE ADJUSTMENT	180	Wiring Diagram -VEHSEC- / Without Intelligent Key ..	217	
Back Door Assembly	181	FIG. 6	217	
REMOVAL	181	FIG. 7	218	
INSTALLATION	182	FIG. 8	219	
INSPECTION	182	FIG. 9	220	
Removal and Installation of Back Door Striker	182	FIG. 10	221	
REMOVAL	182			
INSTALLATION	182			
Removal and Installation of Back Door Stay	182			
REMOVAL	182			
INSTALLATION	183			
Removal and Installation of Back Door Weatherstrip ..	183			
REMOVAL	183			

Terminals and Reference Value for BCM	222	SELF-DIAGNOSIS RELATED ITEM	247
Terminals and Reference Value for IPDM E/R	222	Security Indicator Inspection	247
CONSULT-II Function	223	NON SELF-DIAGNOSIS RELATED ITEM	247
CONSULT-II INSPECTION PROCEDURE	223	Diagnostic Procedure 1	248
CONSULT-II APPLICATION ITEM	224	Diagnostic Procedure 2	250
Trouble Diagnosis	225	Diagnostic Procedure 3	251
WORK FLOW	225	Diagnostic Procedure 4	253
Preliminary Check	226	Diagnostic Procedure 5	254
Symptom Chart	227	Diagnostic Procedure 6	255
Diagnostic Procedure 1	228	How to Replace NATS Antenna Amp.	256
1 – 1 DOOR SWITCH CHECK	228	INTEGRATED HOMELINK TRANSMITTER	257
1 – 2 BACK DOOR SWITCH CHECK	230	Wiring Diagram —TRNSCV—	257
Diagnostic Procedure 2	232	Trouble Diagnoses	258
SECURITY INDICATOR LAMP CHECK	232	DIAGNOSTIC PROCEDURE	258
Diagnostic Procedure 3	233	BODY REPAIR	260
FRONT DOOR KEY CYLINDER SWITCH		Body Exterior Paint Color	260
CHECK	233	Body Component Parts	261
Diagnostic Procedure 4	233	UNDERBODY COMPONENT PARTS	261
VEHICLE SECURITY HORN ALARM CHECK	233	BODY COMPONENT PARTS	263
Diagnostic Procedure 5	233	Corrosion Protection	265
VEHICLE SECURITY HEADLAMP ALARM		DESCRIPTION	265
CHECK	233	ANTI-CORROSIVE WAX	266
Diagnostic Procedure 6	233	UNDERCOATING	267
DOOR LOCK AND UNLOCK SWITCH CHECK	233	STONE GUARD COAT	268
NVIS (NISSAN VEHICLE IMMOBILIZER SYSTEM-		Body Sealing	269
NATS)	234	DESCRIPTION	269
Component Parts and Harness Connector Location	234	Body Construction	272
System Description	234	BODY CONSTRUCTION	272
DESCRIPTION	234	Body Alignment	273
SECURITY INDICATOR	235	BODY CENTER MARKS	273
System Composition	236	PANEL PARTS MATCHING MARKS	274
ECM Re-communicating Function	236	DESCRIPTION	275
Wiring Diagram — NATS —/With Intelligent Key		ENGINE COMPARTMENT	276
System	237	UNDERBODY	278
Wiring Diagram — NATS —/Without Intelligent Key		PASSENGER COMPARTMENT	280
System	239	REAR BODY	282
Terminals and Reference Value for Steering Lock		Handling Precautions For Plastics	284
Unit/With Intelligent Key System	240	HANDLING PRECAUTIONS FOR PLASTICS	284
Terminals and Reference Value for Intelligent Key		LOCATION OF PLASTIC PARTS	285
Unit/With Intelligent Key System	240	Precautions In Repairing High Strength Steel	287
Terminals and Reference Value for BCM	241	HIGH STRENGTH STEEL (HSS) USED IN NIS-	
CONSULT-II Function	241	SAN VEHICLES	287
CONSULT-II INSPECTION PROCEDURE	241	Replacement Operations	290
CONSULT-II DIAGNOSTIC TEST MODE FUNC-		DESCRIPTION	290
TION	242	HOODLEDGE	293
HOW TO READ SELF-DIAGNOSTIC RESULTS	243	HOODLEDGE (PARTIAL REPLACEMENT)	294
NVIS (NATS) SELF-DIAGNOSTIC RESULTS		FRONT SIDE MEMBER	295
ITEM CHART	243	FRONT SIDE MEMBER (PARTIAL REPLACE-	
Trouble Diagnosis Procedure/With Intelligent Key		MENT)	297
System	244	FRONT PILLAR	298
PRELIMINALY CHECK	244	CENTER PILLAR	300
WORK FLOW	245	OUTER SILL	302
Trouble Diagnosis Procedure/Without Intelligent		REAR FENDER	304
Key System	246	REAR PANEL	306
WORK FLOW	246	REAR FLOOR REAR	307
Trouble Diagnoses Symptom Chart	247	REAR SIDE MEMBER EXTENSION	309

PRECAUTIONS

PRECAUTIONS

PPF:00001

Precautions for Supplemental Restraint System (SRS) “AIR BAG” and “SEAT BELT PRE-TENSIONER”

AIS001TQ

The Supplemental Restraint System such as “AIR BAG” and “SEAT BELT PRE-TENSIONER”, used along with a front seat belt, helps to reduce the risk or severity of injury to the driver and front passenger for certain types of collision. This system includes seat belt switch inputs and dual stage front air bag modules. The SRS system uses the seat belt switches to determine the front air bag deployment, and may only deploy one front air bag, depending on the severity of a collision and whether the front occupants are belted or unbelted. Information necessary to service the system safely is included in the SRS and SB section of this Service Manual.

WARNING:

- To avoid rendering the SRS inoperative, which could increase the risk of personal injury or death in the event of a collision which would result in air bag inflation, all maintenance must be performed by an authorized NISSAN/INFINITI dealer.
- Improper maintenance, including incorrect removal and installation of the SRS, can lead to personal injury caused by unintentional activation of the system. For removal of Spiral Cable and Air Bag Module, see the SRS section.
- Do not use electrical test equipment on any circuit related to the SRS unless instructed to in this Service Manual. SRS wiring harnesses can be identified by yellow and/or orange harnesses or harness connectors.

Precautions for Work

AIS001TR

- After removing and installing the opening/closing parts, be sure to carry out fitting adjustments to check their operation.
- Check the lubrication level, damage, and wear of each part. If necessary, grease or replace it.

A

B

C

D

E

F

G

H

BL

J

K

L

M

PREPARATION

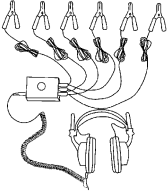
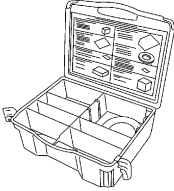
PREPARATION

PFP:00002

Special Service Tools

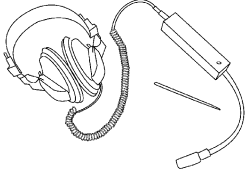
AIS005B2

The actual shapes of Kent-Moore tools may differ from those of special service tools illustrated here.

Tool number (Kent-Moore No.) Tool name	Description
(J-39570) Chassis ear  <p style="text-align: right; margin-right: 20px;">SIIA0993E</p>	Locating the noise
(J-43980) NISSAN Squeak and Rattle Kit  <p style="text-align: right; margin-right: 20px;">SIIA0994E</p>	Repairing the cause of noise

Commercial Service Tools

AIS005B3

Tool name	Description
Engine ear  <p style="text-align: right; margin-right: 20px;">SIIA0995E</p>	Locating the noise

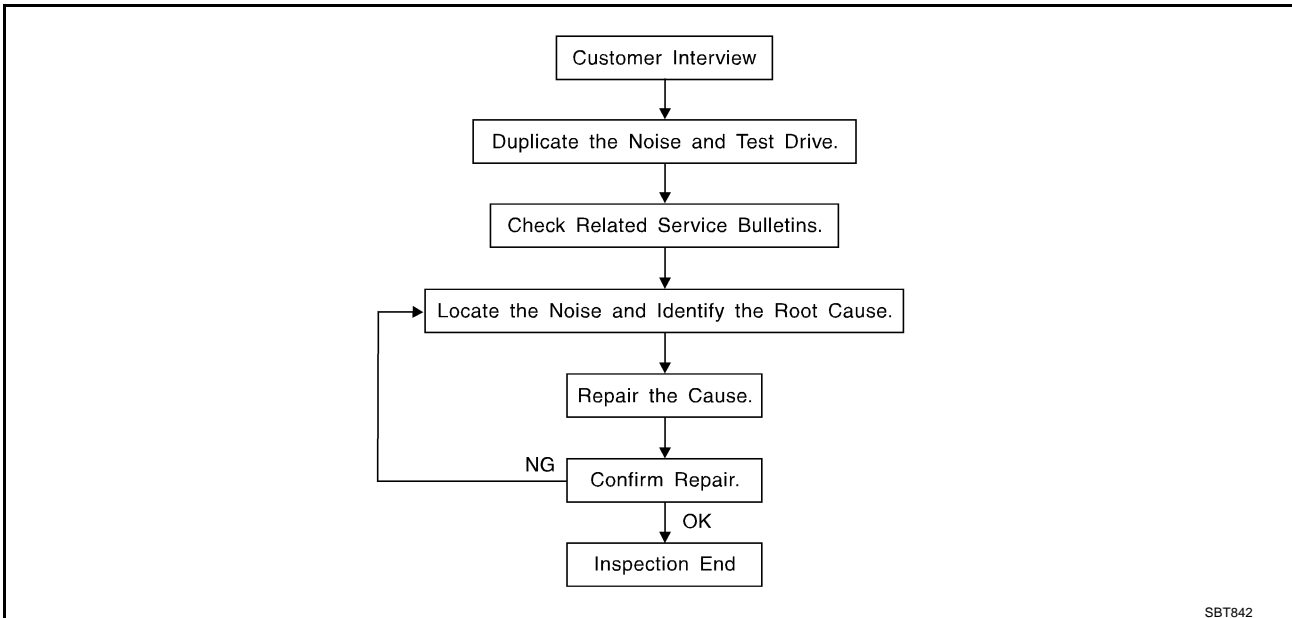
SQUEAK AND RATTLE TROUBLE DIAGNOSIS

SQUEAK AND RATTLE TROUBLE DIAGNOSIS

PFP:00000

Work Flow

AIS005B4



CUSTOMER INTERVIEW

Interview the customer if possible, to determine the conditions that exist when the noise occurs. Use the Diagnostic Worksheet during the interview to document the facts and conditions when the noise occurs and any customer's comments; refer to [BL-11, "Diagnostic Worksheet"](#). This information is necessary to duplicate the conditions that exist when the noise occurs.

- The customer may not be able to provide a detailed description or the location of the noise. Attempt to obtain all the facts and conditions that exist when the noise occurs (or does not occur).
- If there is more than one noise in the vehicle, be sure to diagnose and repair the noise that the customer is concerned about. This can be accomplished by test driving the vehicle with the customer.
- After identifying the type of noise, isolate the noise in terms of its characteristics. The noise characteristics are provided so the customer, service adviser and technician are all speaking the same language when defining the noise.
- Squeak—(Like tennis shoes on a clean floor)
Squeak characteristics include the light contact/fast movement/brought on by road conditions/hard surfaces=higher pitch noise/softer surfaces=lower pitch noises/edge to surface=chirping
- Creak—(Like walking on an old wooden floor)
Creak characteristics include firm contact/slow movement/twisting with a rotational movement/pitch dependent on materials/often brought on by activity.
- Rattle—(Like shaking a baby rattle)
Rattle characteristics include the fast repeated contact/vibration or similar movement/loose parts/missing clip or fastener/incorrect clearance.
- Knock—(Like a knock on a door)
Knock characteristics include hollow sounding/sometimes repeating/often brought on by driver action.
- Tick—(Like a clock second hand)
Tick characteristics include gentle contacting of light materials/loose components/can be caused by driver action or road conditions.
- Thump—(Heavy, muffled knock noise)
Thump characteristics include softer knock/dead sound often brought on by activity.
- Buzz—(Like a bumble bee)
Buzz characteristics include high frequency rattle/firm contact.
- Often the degree of acceptable noise level will vary depending upon the person. A noise that you may judge as acceptable may be very irritating to the customer.
- Weather conditions, especially humidity and temperature, may have a great effect on noise level.

SQUEAK AND RATTLE TROUBLE DIAGNOSIS

DUPLICATE THE NOISE AND TEST DRIVE

If possible, drive the vehicle with the customer until the noise is duplicated. Note any additional information on the Diagnostic Worksheet regarding the conditions or location of the noise. This information can be used to duplicate the same conditions when you confirm the repair.

If the noise can be duplicated easily during the test drive, to help identify the source of the noise, try to duplicate the noise with the vehicle stopped by doing one or all of the following:

- 1) Close a door.
 - 2) Tap or push/pull around the area where the noise appears to be coming from.
 - 3) Rev the engine.
 - 4) Use a floor jack to recreate vehicle "twist".
 - 5) At idle, apply engine load (electrical load, half-clutch on M/T model, drive position on A/T model).
 - 6) Raise the vehicle on a hoist and hit a tire with a rubber hammer.
- Drive the vehicle and attempt to duplicate the conditions the customer states exist when the noise occurs.
 - If it is difficult to duplicate the noise, drive the vehicle slowly on an undulating or rough road to stress the vehicle body.

CHECK RELATED SERVICE BULLETINS

After verifying the customer concern or symptom, check ASIST for Technical Service Bulletins (TSBs) related to that concern or symptom.

If a TSB relates to the symptom, follow the procedure to repair the noise.

LOCATE THE NOISE AND IDENTIFY THE ROOT CAUSE

1. Narrow down the noise to a general area. To help pinpoint the source of the noise, use a listening tool (Chassis Ear: J-39570, Engine Ear and mechanics stethoscope).
2. Narrow down the noise to a more specific area and identify the cause of the noise by:
 - removing the components in the area that you suspect the noise is coming from.
Do not use too much force when removing clips and fasteners, otherwise clips and fastener can be broken or lost during the repair, resulting in the creation of new noise.
 - tapping or pushing/pulling the component that you suspect is causing the noise.
Do not tap or push/pull the component with excessive force, otherwise the noise will be eliminated only temporarily.
 - feeling for a vibration with your hand by touching the component(s) that you suspect is (are) causing the noise.
 - placing a piece of paper between components that you suspect are causing the noise.
 - looking for loose components and contact marks.
Refer to [BL-9, "Generic Squeak and Rattle Troubleshooting"](#) .

REPAIR THE CAUSE

- If the cause is a loose component, tighten the component securely.
- If the cause is insufficient clearance between components:
 - separate components by repositioning or loosening and retightening the component, if possible.
 - insulate components with a suitable insulator such as urethane pads, foam blocks, felt cloth tape or urethane tape. A Nissan Squeak and Rattle Kit (J-43980) is available through your authorized Nissan Parts Department.

CAUTION:

Do not use excessive force as many components are constructed of plastic and may be damaged.

Always check with the Parts Department for the latest parts information.

The following materials are contained in the Nissan Squeak and Rattle Kit (J-43980). Each item can be ordered separately as needed.

URETHANE PADS [1.5 mm (0.059 in) thick]

Insulates connectors, harness, etc.

76268-9E005: 100 × 135 mm (3.94 × 5.31 in)/76884-71L01: 60 × 85 mm (2.36 × 3.35 in)/76884-71L02: 15 × 25 mm (0.59 × 0.98 in)

INSULATOR (Foam blocks)

Insulates components from contact.Can be used to fill space behind a panel.

73982-9E000: 45 mm (1.77 in) thick, 50 × 50 mm (1.97 × 1.97 in)/73982-50Y00: 10 mm (0.39 in) thick, 50 × 50 mm (1.97 × 1.97 in)

SQUEAK AND RATTLE TROUBLE DIAGNOSIS

INSULATOR (Light foam block)

80845-71L00: 30 mm (1.18 in) thick, 30 × 50 mm (1.18×1.97 in)

FELT CLOTHTAPE

Used to insulate where movement does not occur. Ideal for instrument panel applications.

68370-4B000: 15 × 25 mm (0.59 × 0.98 in) pad/68239-13E00: 5 mm (0.20 in) wide tape roll The following materials, not found in the kit, can also be used to repair squeaks and rattles.

UHMW(TEFLON) TAPE

Insulates where slight movement is present. Ideal for instrument panel applications.

SILICONE GREASE

Used in place of UHMW tape that will be visible or not fit.

Note: Will only last a few months.

SILICONE SPRAY

Use when grease cannot be applied.

DUCT TAPE

Use to eliminate movement.

CONFIRM THE REPAIR

Confirm that the cause of a noise is repaired by test driving the vehicle. Operate the vehicle under the same conditions as when the noise originally occurred. Refer to the notes on the Diagnostic Worksheet.

Generic Squeak and Rattle Troubleshooting

AIS005B5

Refer to Table of Contents for specific component removal and installation information.

INSTRUMENT PANEL

Most incidents are caused by contact and movement between:

1. The cluster lid A and instrument panel
2. Acrylic lens and combination meter housing
3. Instrument panel to front pillar garnish
4. Instrument panel to windshield
5. Instrument panel mounting pins
6. Wiring harnesses behind the combination meter
7. A/C defroster duct and duct joint

These incidents can usually be located by tapping or moving the components to duplicate the noise or by pressing on the components while driving to stop the noise. Most of these incidents can be repaired by applying felt cloth tape or silicon spray (in hard to reach areas). Urethane pads can be used to insulate wiring harness.

CAUTION:

Do not use silicone spray to isolate a squeak or rattle. If you saturate the area with silicone, you will not be able to recheck the repair.

CENTER CONSOLE

Components to pay attention to include:

1. Shifter assembly cover to finisher
2. A/C control unit and cluster lid C
3. Wiring harnesses behind audio and A/C control unit

The instrument panel repair and isolation procedures also apply to the center console.

DOORS

Pay attention to the:

1. Finisher and inner panel making a slapping noise
2. Inside handle escutcheon to door finisher
3. Wiring harnesses tapping
4. Door striker out of alignment causing a popping noise on starts and stops

Tapping or moving the components or pressing on them while driving to duplicate the conditions can isolate many of these incidents. You can usually insulate the areas with felt cloth tape or insulator foam blocks from the Nissan Squeak and Rattle Kit (J-43980) to repair the noise.

A
B
C
D
E
F
G
H
BL
J
K
L
M

SQUEAK AND RATTLE TROUBLE DIAGNOSIS

TRUNK

Trunk noises are often caused by a loose jack or loose items put into the trunk by the owner. In addition look for:

1. Trunk lid dumpers out of adjustment
2. Trunk lid striker out of adjustment
3. The trunk lid torsion bars knocking together
4. A loose license plate or bracket

Most of these incidents can be repaired by adjusting, securing or insulating the item(s) or component(s) causing the noise.

SUNROOF/HEADLINING

Noises in the sunroof/headlining area can often be traced to one of the following:

1. Sunroof lid, rail, linkage or seals making a rattle or light knocking noise
2. Sunvisor shaft shaking in the holder
3. Front or rear windshield touching headlining and squeaking

Again, pressing on the components to stop the noise while duplicating the conditions can isolate most of these incidents. Repairs usually consist of insulating with felt cloth tape.

SEATS

When isolating seat noise it's important to note the position the seat is in and the load placed on the seat when the noise is present. These conditions should be duplicated when verifying and isolating the cause of the noise.

Cause of seat noise include:

1. Headrest rods and holder
2. A squeak between the seat pad cushion and frame
3. The rear seatback lock and bracket

These noises can be isolated by moving or pressing on the suspected components while duplicating the conditions under which the noise occurs. Most of these incidents can be repaired by repositioning the component or applying urethane tape to the contact area.

UNDERHOOD

Some interior noise may be caused by components under the hood or on the engine wall. The noise is then transmitted into the passenger compartment.

Causes of transmitted underhood noise include:

1. Any component mounted to the engine wall
2. Components that pass through the engine wall
3. Engine wall mounts and connectors
4. Loose radiator mounting pins
5. Hood bumpers out of adjustment
6. Hood striker out of adjustment

These noises can be difficult to isolate since they cannot be reached from the interior of the vehicle. The best method is to secure, move or insulate one component at a time and test drive the vehicle. Also, engine RPM or load can be changed to isolate the noise. Repairs can usually be made by moving, adjusting, securing, or insulating the component causing the noise.

SQUEAK AND RATTLE TROUBLE DIAGNOSIS

Diagnostic Worksheet

AIS005B6

A
B
C
D
E
F
G
H
BL
J
K
L
M

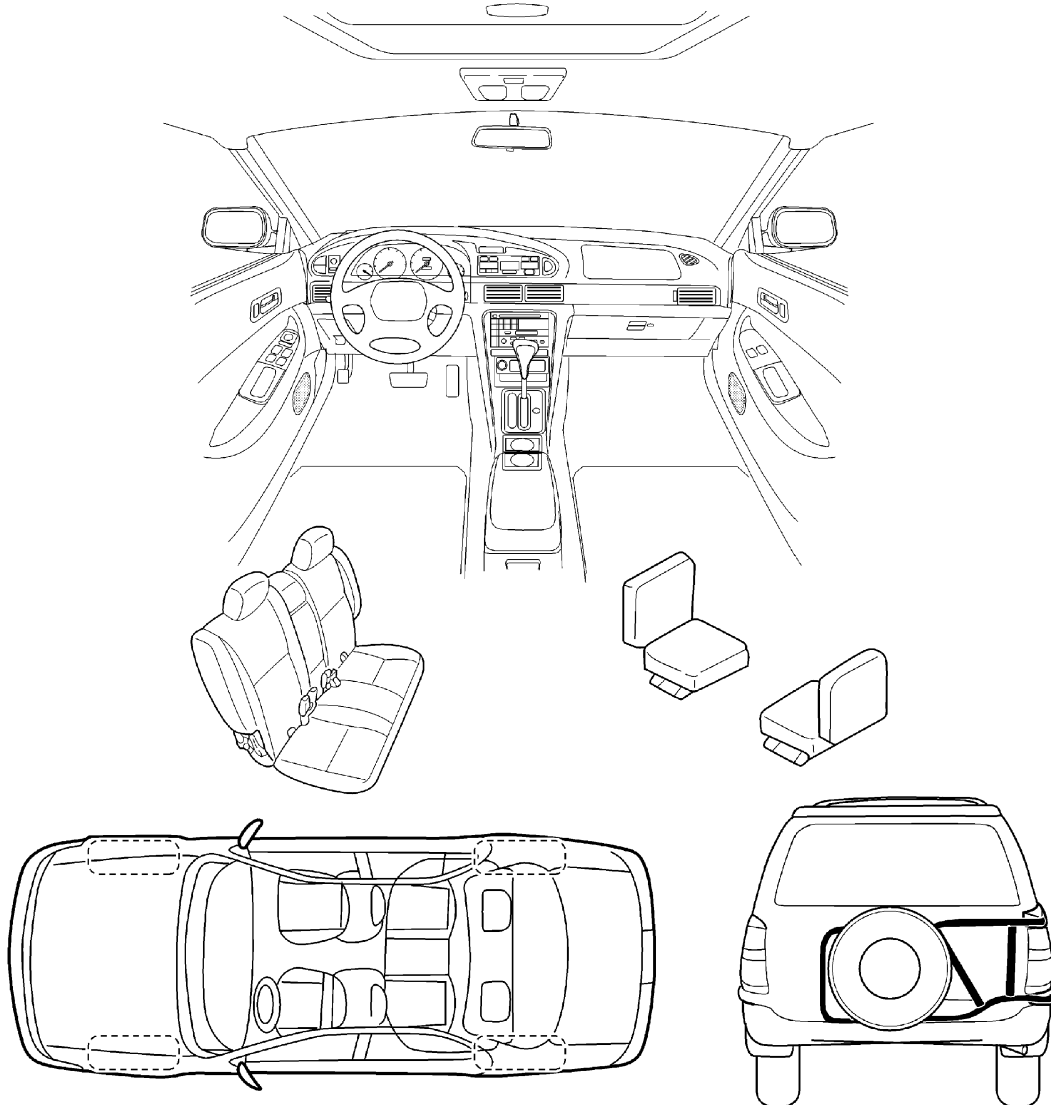
SQUEAK & RATTLE DIAGNOSTIC WORKSHEET

Dear Nissan Customer:

We are concerned about your satisfaction with your Nissan vehicle. Repairing a squeak or rattle sometimes can be very difficult. To help us fix your Nissan right the first time, please take a moment to note the area of the vehicle where the squeak or rattle occurs and under what conditions. You may be asked to take a test drive with a service advisor or technician to ensure we confirm the noise you are hearing.

I. WHERE DOES THE NOISE COME FROM? (circle the area of the vehicle)

The illustrations are for reference only, and may not reflect the actual configuration of your vehicle.



Continue to the back of the worksheet and briefly describe the location of the noise or rattle. In addition, please indicate the conditions which are present when the noise occurs.

PIIB0723E

SQUEAK AND RATTLE TROUBLE DIAGNOSIS

SQUEAK & RATTLE DIAGNOSTIC WORKSHEET- page 2

Briefly describe the location where the noise occurs:

II. WHEN DOES IT OCCUR? (check the boxes that apply)

- | | |
|--|---|
| <input type="checkbox"/> anytime | <input type="checkbox"/> after sitting out in the sun |
| <input type="checkbox"/> 1 st time in the morning | <input type="checkbox"/> when it is raining or wet |
| <input type="checkbox"/> only when it is cold outside | <input type="checkbox"/> dry or dusty conditions |
| <input type="checkbox"/> only when it is hot outside | <input type="checkbox"/> other: _____ |

III. WHEN DRIVING:

- through driveways
- over rough roads
- over speed bumps
- only at about ____ mph
- on acceleration
- coming to a stop
- on turns : left, right or either (circle)
- with passengers or cargo
- other: _____
- after driving ____ miles or ____ minutes

IV. WHAT TYPE OF NOISE?

- squeak (like tennis shoes on a clean floor)
- creak (like walking on an old wooden floor)
- rattle (like shaking a baby rattle)
- knock (like a knock on a door)
- tick (like a clock second hand)
- thump (heavy, muffled knock noise)
- buzz (like a bumble bee)

TO BE COMPLETED BY DEALERSHIP PERSONNEL

Test Drive Notes:

	YES	NO	Initials of person performing
Vehicle test driven with customer	<input type="checkbox"/>	<input type="checkbox"/>	_____
- Noise verified on test drive	<input type="checkbox"/>	<input type="checkbox"/>	_____
- Noise source located and repaired	<input type="checkbox"/>	<input type="checkbox"/>	_____
- Follow up test drive performed to confirm repair	<input type="checkbox"/>	<input type="checkbox"/>	_____

VIN: _____ Customer Name: _____

W.O. #: _____ Date: _____

This form must be attached to Work Order

SBT844

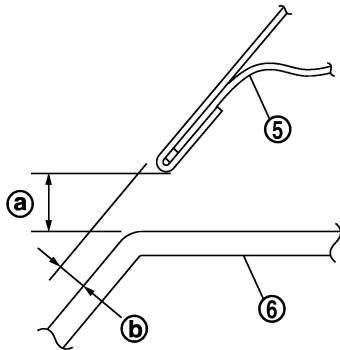
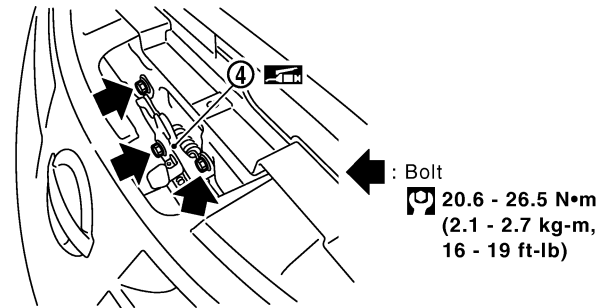
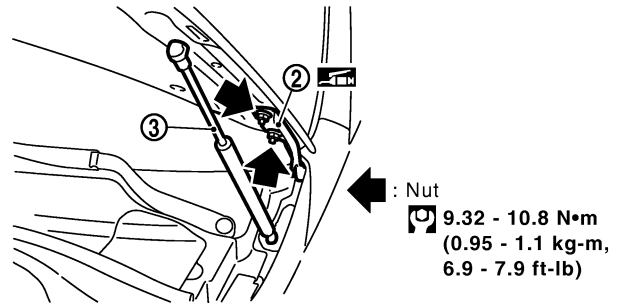
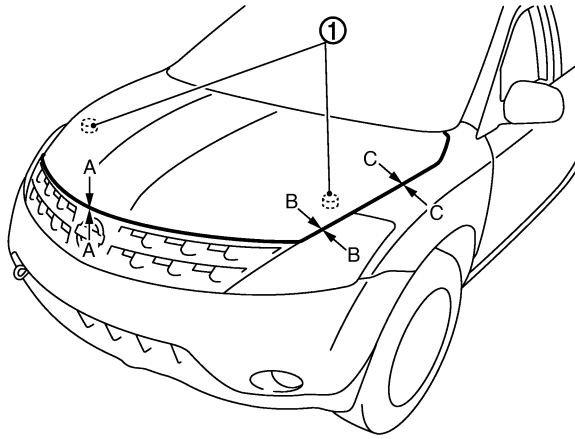
HOOD

HOOD

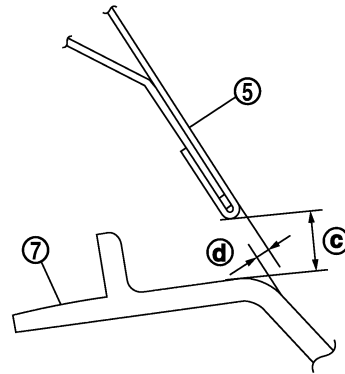
Fitting Adjustment

PFP:F5100

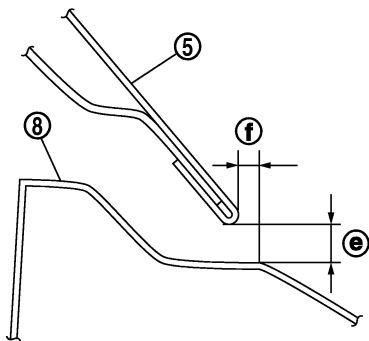
AIS005B7



A - A



B - B



C - C

CLEARANCE	a	4.0 - 8.0 (0.157 - 0.315)
	c	4.0 - 8.0 (0.157 - 0.315)
	e	2.3 - 6.3 (0.091 - 0.248)
SURFACE HEIGHT	b	0.5 - 4.5 (0.020 - 0.177)
	d	-1.0 - 2.0 (-0.039 - 0.079)
	f	0.9 - 3.9 (0.035 - 0.154)

Unit: mm (in)

: Apply body grease.

PIIB1217E

HOOD

- | | | |
|-----------------------|------------------|-----------------|
| 1. Bumper rubber | 2. Hood hinge | 3. Hood stay |
| 4. Hood lock assembly | 5. Hood assembly | 6. Front grille |
| 7. Headlamp | 8. Front fender | |

LONGITUDINAL AND LATERAL CLEARANCE ADJUSTMENT

1. Remove hood lock assembly, loosen the hood hinge nuts and close the hood.
2. Adjust the lateral and longitudinal clearance, and open the hood to tighten the hood hinge mounting bolts to the specified torque.
3. Install the hood lock temporarily, and align the hood striker and lock so that the centers of striker and lock become vertical viewed from the front, by moving the hood lock laterally.
4. Tighten hood lock mounting bolts to the specified torque.

CAUTION:

Adjust right/left Clearance between hood and each part to the following specification.

Hood and headlamp (B-B) : Less than 2.0 mm (0.08in)

FRONT END HEIGHT ADJUSTMENT

1. Remove the hood lock and adjust the height by rotating the bumper rubber until the hood becomes 1 to 1.5 mm (0.04 to 0.059 in) lower than the fender.
2. Temporarily tighten the hood lock, and position it by engaging it with the hood striker. Check the lock and striker for looseness, and tighten the hood lock mounting bolts to the specified torque.

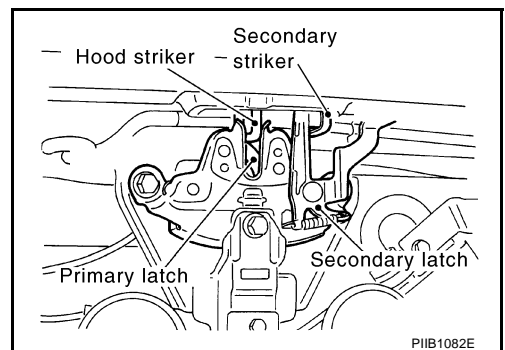
SURFACE HEIGHT ADJUSTMENT

1. Remove hood lock, and adjust the surface height difference of hood, fender and headlamp according to the fitting standard dimension, by rotating RH and LH bumper rubbers.
2. Install hood lock temporarily, and move hood lock laterally until the centers of striker and lock become vertical when viewed from the front.
3. Make sure that the hood lock secondary latch is properly engaged with the secondary striker with hood's own weight.
4. Make sure that the hood lock primary latch is securely engaged with the hood striker with hood's own weight by dropping hood from approx. 200 mm (7.87in) height.

CAUTION:

Do not drop hood from a height of 300 mm (11.81 in) or more.

5. Move hood lockup and down until striker smoothly engages the lock when the hood is closed.
6. When pulling the hood opener lever gently, make sure that front end of the hood rises by approximately 20 mm (0.79 in) and that hood striker and hood lock primary latch is disengaged. Also make sure that hood opener returns to the original position.
7. After adjustment, tighten lock bolts to the specified torque.

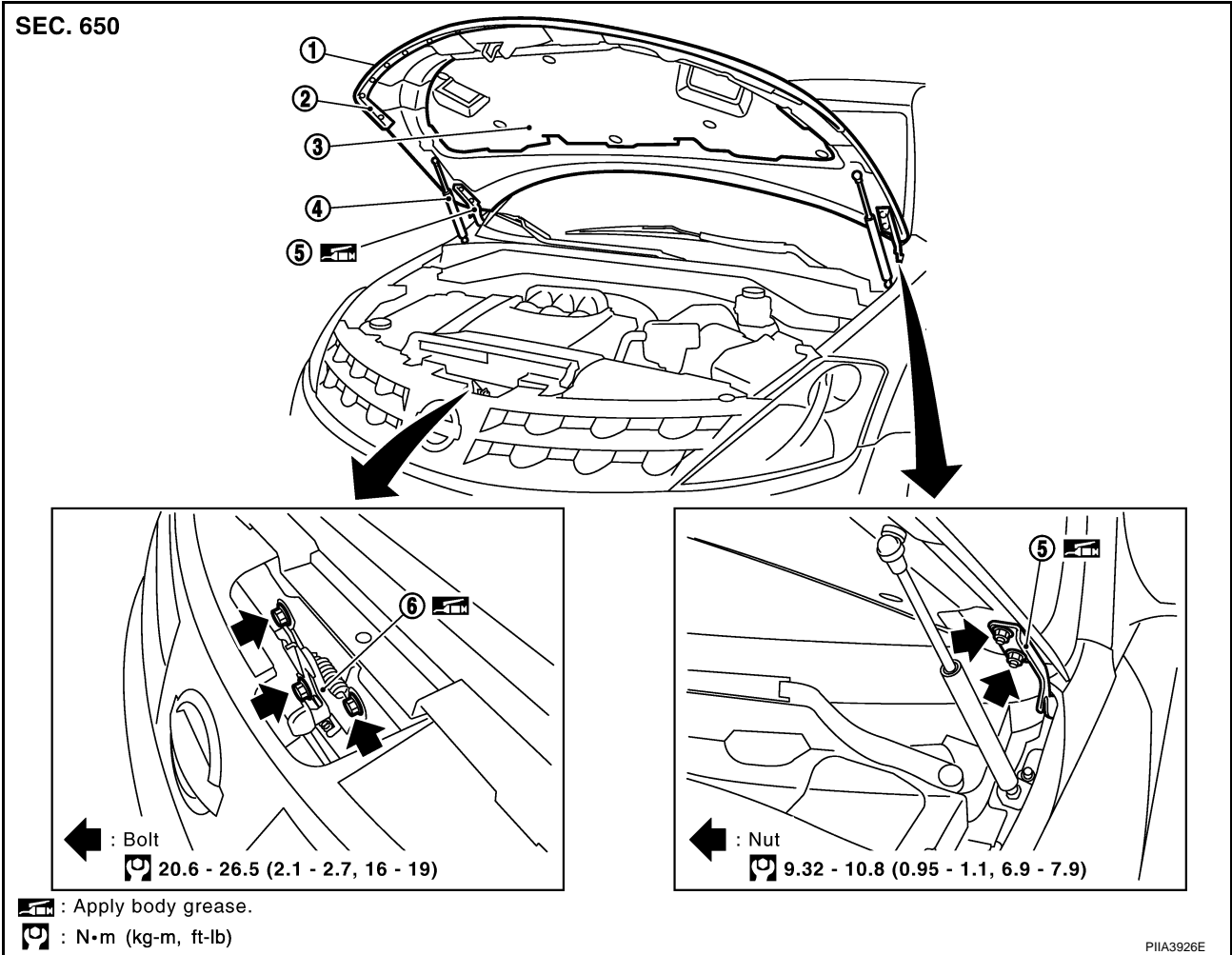


HOOD

Removal and Installation of Hood Assembly

AIS005B8

A
B
C
D
E
F
G
H
BL
J
K
L
M

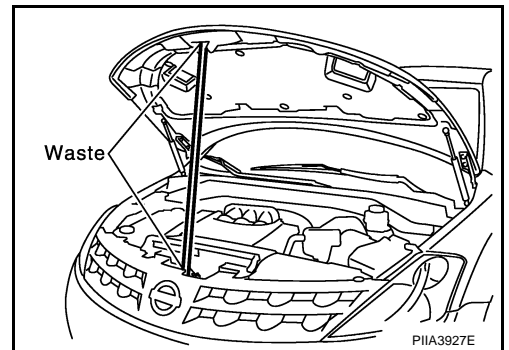


REMOVAL

1. Support the hood striker with a proper material to prevent it from falling.

WARNING:

Body injury may occur if no supporting rod is holding the hood open when removing the damper stay.



2. Remove the hood stays from the stud balls on the body side.
3. Remove the hinge mounting nuts on the hood to remove the hood assembly.

CAUTION:

Operate with two workers, because of its heavy weight.

INSTALLATION

Install in the reverse order of removal.

CAUTION:

- Before installing hood hinge, apply anticorrosive agent onto the mounting surface of the vehicle body.

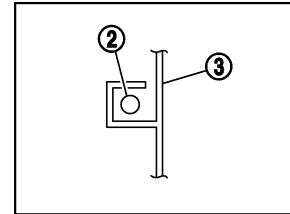
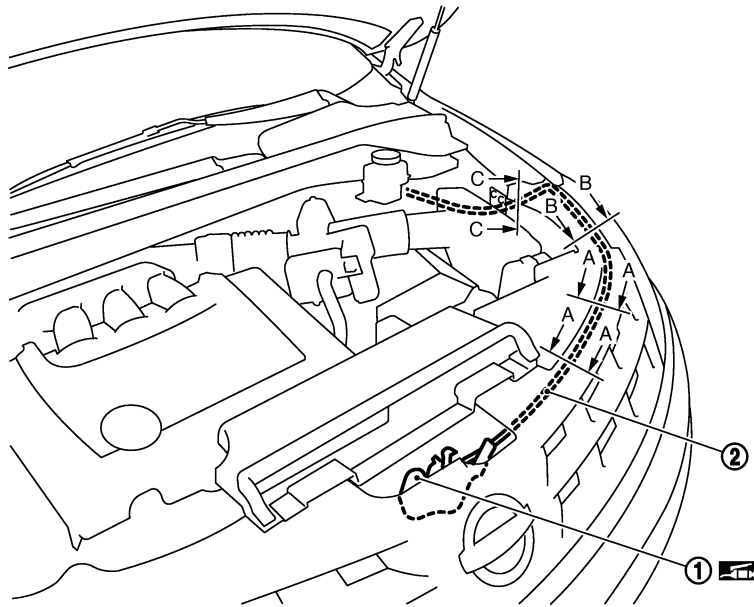
HOOD

- After installing, perform hood fitting adjustment. Refer to [BL-13, "Fitting Adjustment"](#).

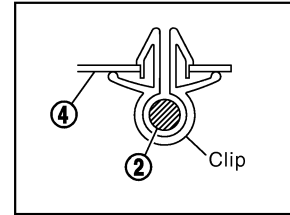
Removal and Installation of Hood Lock Control

AIS005B9

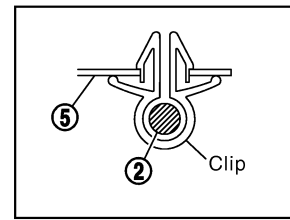
SEC. 656




A-A



B-B



C-C

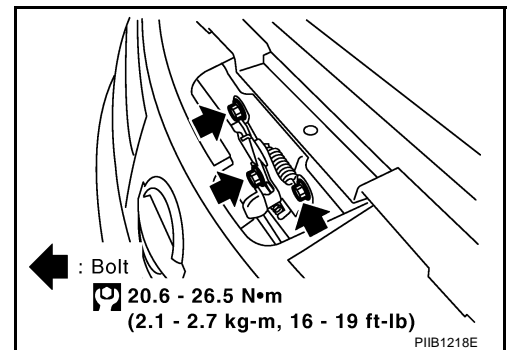
 : Apply body grease.

PIIA4011E

- | | | |
|-------------------------------|---------------------|-------------------------------|
| 1. Hood lock assembly | 2. Hood lock cable | 3. Radiator core support side |
| 4. Hood ledge reinforce upper | 5. hood ledge upper | |

REMOVAL

- Remove the front grill. Refer to [EI-20, "Removal and Installation"](#).
- Remove the front fender protector (LH). Refer to [EI-22, "Removal and Installation"](#).
- Remove the hood lock assembly.



PIIB1218E

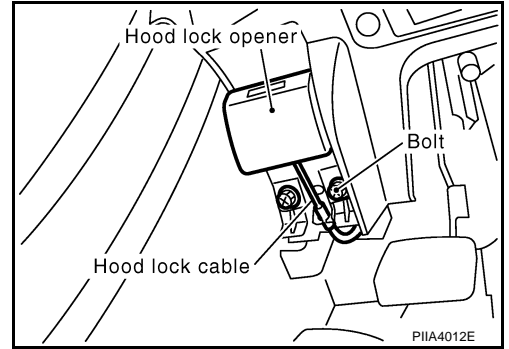
- Disconnect the hood lock cable from the hood lock, and clip it from the radiator core support upper and hood ledge.

HOOD

5. Remove the hood lock opener mounting bolts, and remove the hood lock opener.
6. Remove the grommet on the dashboard, and pull the hood lock cable toward the passenger room.

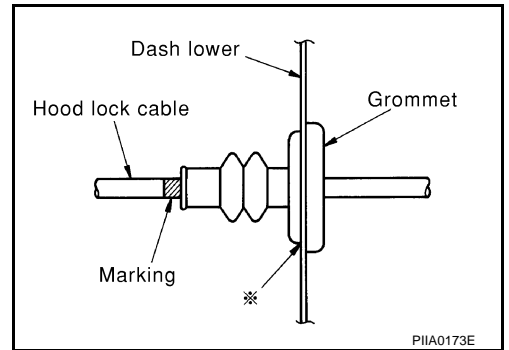
CAUTION:

While pulling, be careful not to damage (peeling) the outside of the hood lock cable.

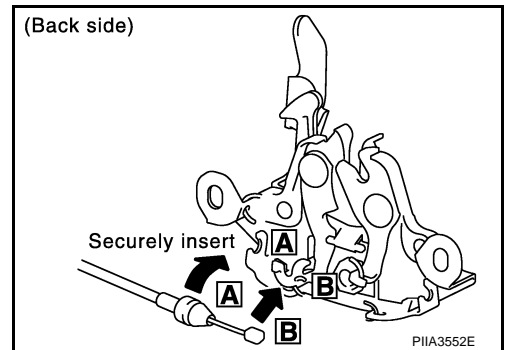


INSTALLATION

1. Pull the hood lock cable through the panel hole to the engine room. Be careful not to bend the cable too much, keeping the radius 100mm (3.94 in) or more.
2. Make sure the cable is not offset from the positioning grommet, and push the grommet into the panel hole securely.
3. Apply the sealant to the grommet (at * mark) properly.



4. Install the cable securely to the lock.
5. After installing, check the hood lock adjustment and hood opener operation.



Hood Lock Control Inspection

CAUTION:

If the hood lock cable is bent or deformed, replace it.

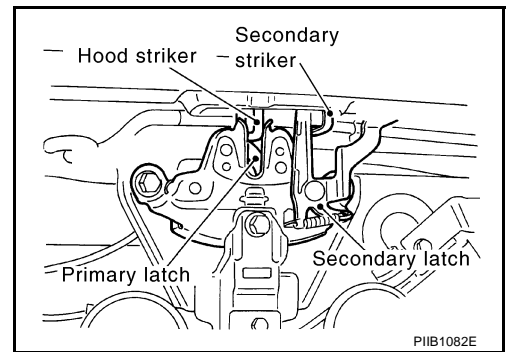
A
B
C
D
E
F
G
H
BL
J
K
L
M

HOOD

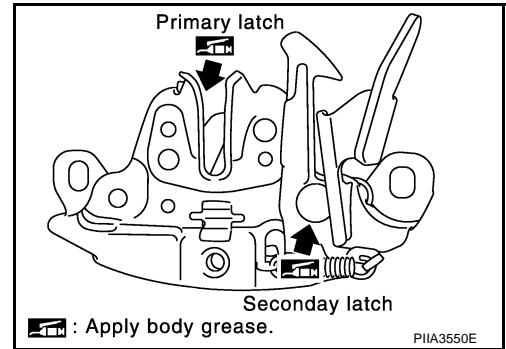
1. Make sure that the hood lock secondary latch is properly engaged with the secondary striker with hood's own weight.
2. Make sure that the hood lock primary latch is securely engaged with the hood striker with hood's own weight by dropping it from approx. 200 mm (7.87 in) height.

CAUTION:

Do not drop hood from a height of 300 mm (11.81in) or more.



3. When pulling hood opener lever gently, make sure that front end of the hood rises by approximately 20 mm (0.79 in) and that hood striker and hood lock primary latch are disengaged. Also make sure that hood opener returns to the original position.
4. Confirm hood lock is properly lubricated. If necessary, apply grease at the point shown in the figure.



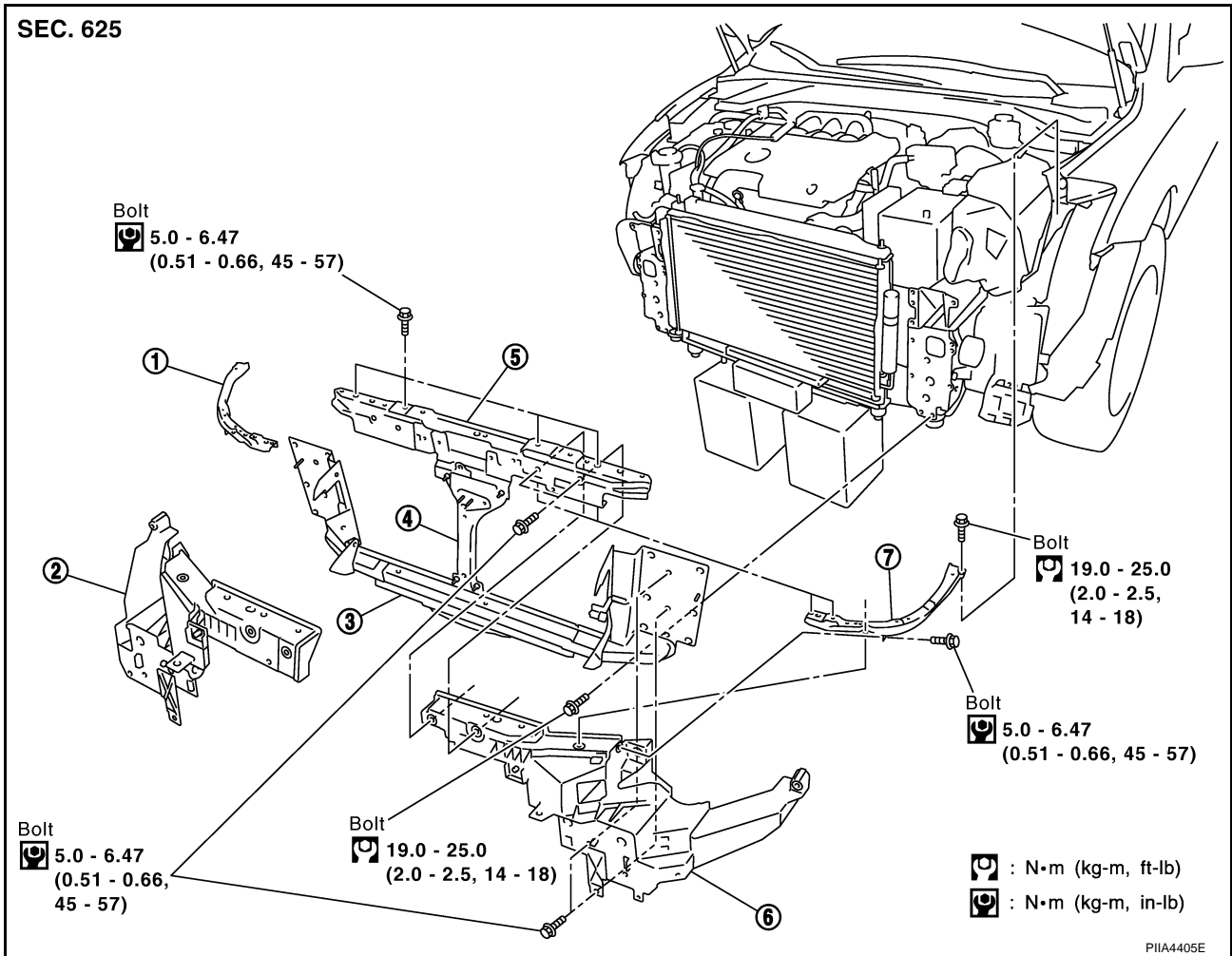
RADIATOR CORE SUPPORT

RADIATOR CORE SUPPORT

PFP:62500

Removal and Installation

AIS005BB



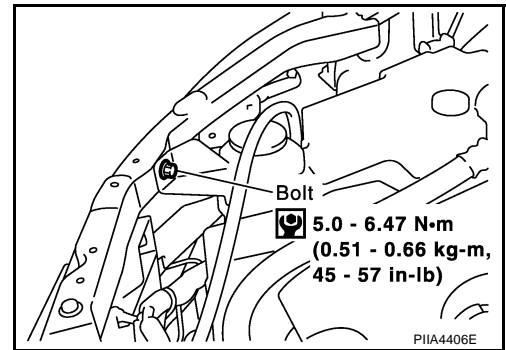
1. Radiator core support upper side (RH)
2. Radiator core support side (RH)
3. Radiator core support lower
4. Radiator core support center
5. Radiator core support upper center
6. Radiator core support side (LH)
7. Radiator core support upper side (LH)

REMOVAL

1. Remove radiator cover grill. Refer to [EM-16, "AIR CLEANER AND AIR DUCT"](#) .
2. Remove air duct. Refer to [EM-16, "AIR CLEANER AND AIR DUCT"](#) .
3. Remove front bumper, bumper reinforcement and bumper stay. Refer to [EI-14, "Removal and Installation"](#) .
4. Remove hood lock assembly, remove hood lock cable. Refer to [BL-16, "Removal and Installation of Hood Lock Control"](#) .
5. Remove headlamp (LH/RH). Refer to [LT-37, "Removal and Installation"](#) or [LT-67, "Removal and Installation"](#) .
6. Remove crash zone sensor. Refer to [SRS-44, "Removal and Installation"](#) .
7. Remove the hood switch Refer to [BL-205, "Component Parts and Harness Connector Location"](#) .
8. Remove the undercover.
9. Remove the ambient sensor. Refer to [ATC-110, "Removal and Installation"](#) .

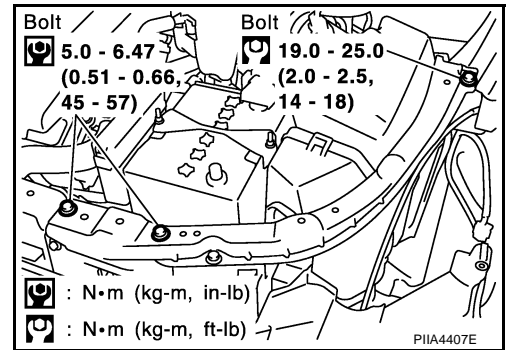
RADIATOR CORE SUPPORT

10. Remove mounting bolt washer tank.



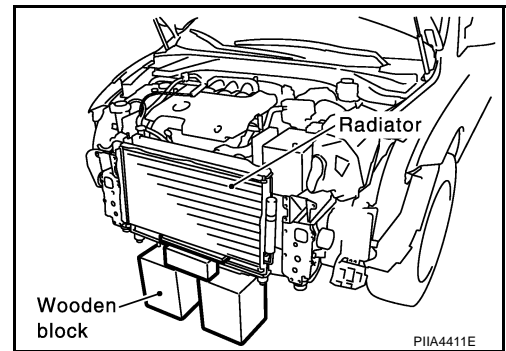
11. Remove mounting harness clip on radiator core support assembly, the harness is separate.

12. Remove the radiator core support upper side.



CAUTION:

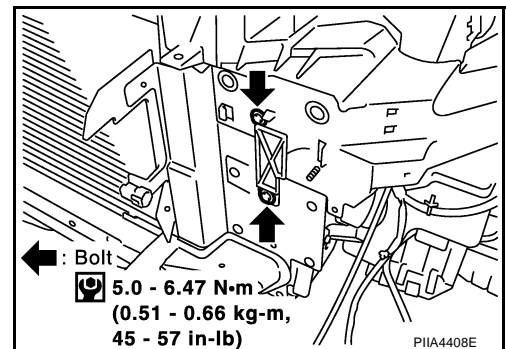
Put a wooden block under the radiator assembly to prevent the radiator assembly from falling.



13. Remove the radiator core support center.

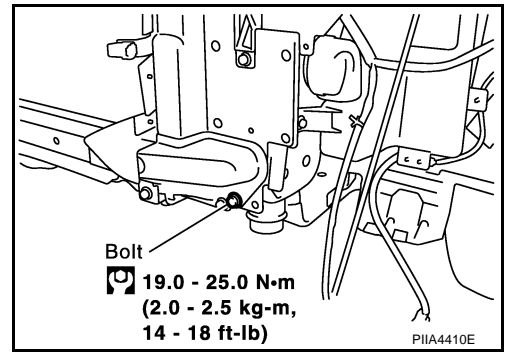
14. Remove the radiator core support upper center.

15. Remove the radiator core support side.



RADIATOR CORE SUPPORT

16. Remove radiator core support assembly.
17. After removing radiator core support assembly, the following parts are separate.
 - Radiator core support lower



A
B
C
D
E
F
G
H
BL
J
K
L
M

INSTALLATION

Install in the reverse order of removal.

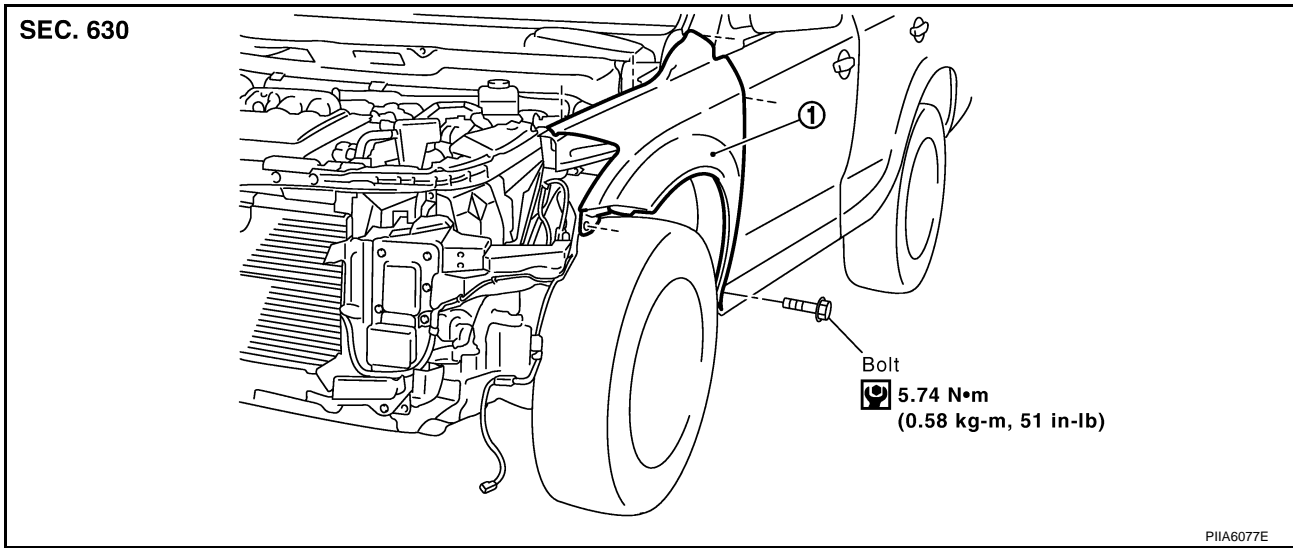
FRONT FENDER

FRONT FENDER

PFP:63100

Removal and Installation

AIS003C3



1. Front fender

REMOVAL

1. Remove the front bumper. Refer to [EI-14, "Removal and Installation"](#).
2. Remove the headlamp. Refer to [LT-37, "Removal and Installation"](#) or [LT-67, "Removal and Installation"](#).
3. Remove the front fender protector. Refer to [EI-22, "Removal and Installation"](#).
4. Remove the mounting bolt and remove the front fender.

CAUTION:

While removing use a shop cloth to protect body from damaging.

INSTALLATION

Install in the reverse order of removal.

CAUTION:

- After installing, apply touch-up paint (the body color) onto the head of the front fender mounting bolts.
- After installing, check front fender adjustment. Refer to [BL-13, "Fitting Adjustment"](#) and [BL-170, "Fitting Adjustment"](#).

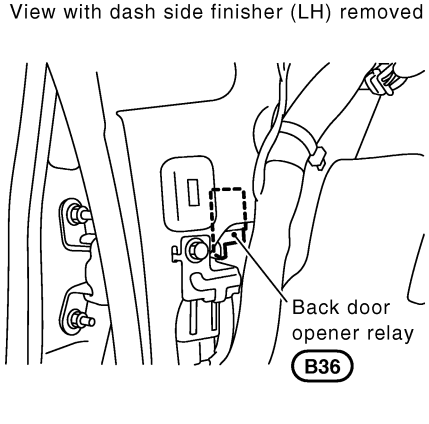
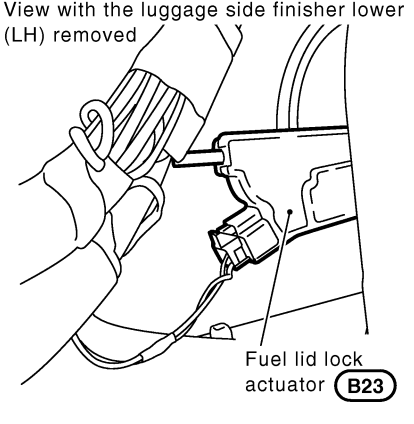
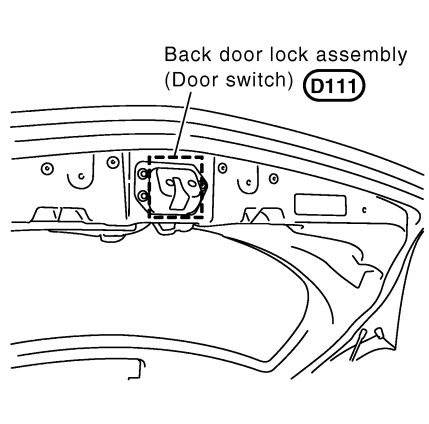
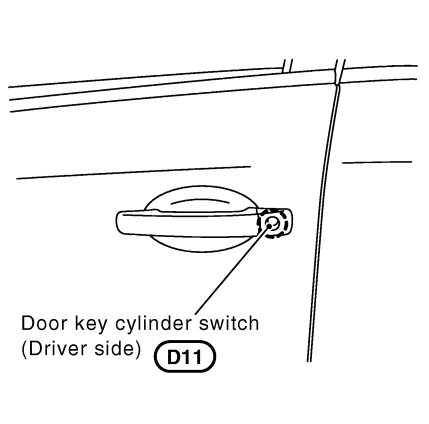
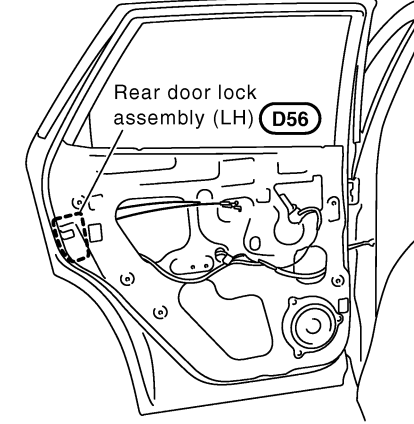
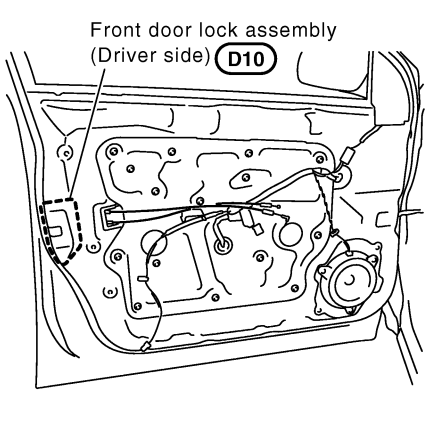
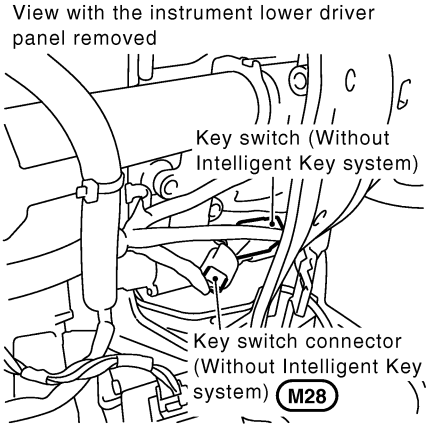
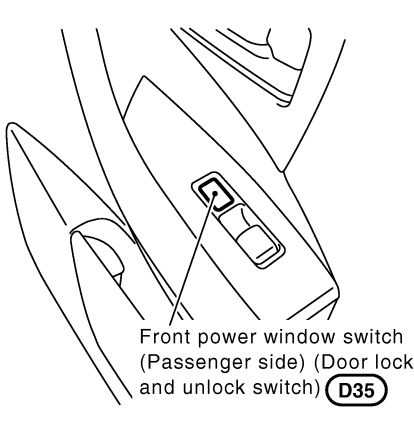
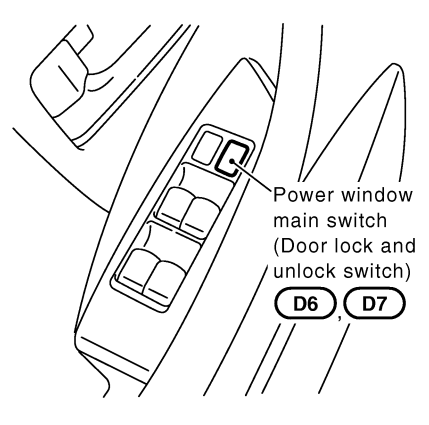
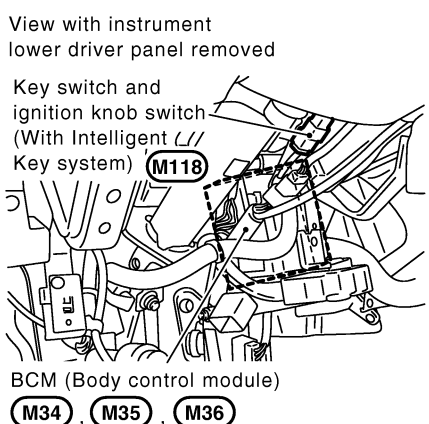
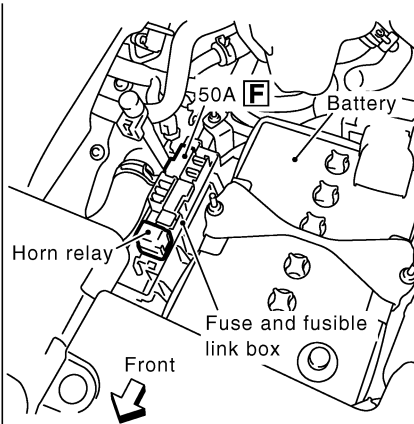
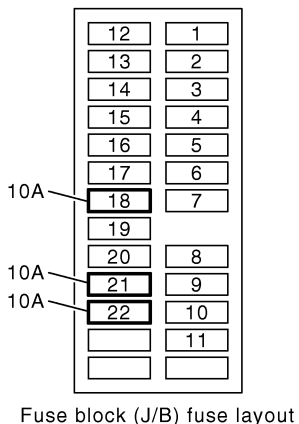
POWER DOOR LOCK SYSTEM

PPF:24814

AIS002EW

POWER DOOR LOCK SYSTEM

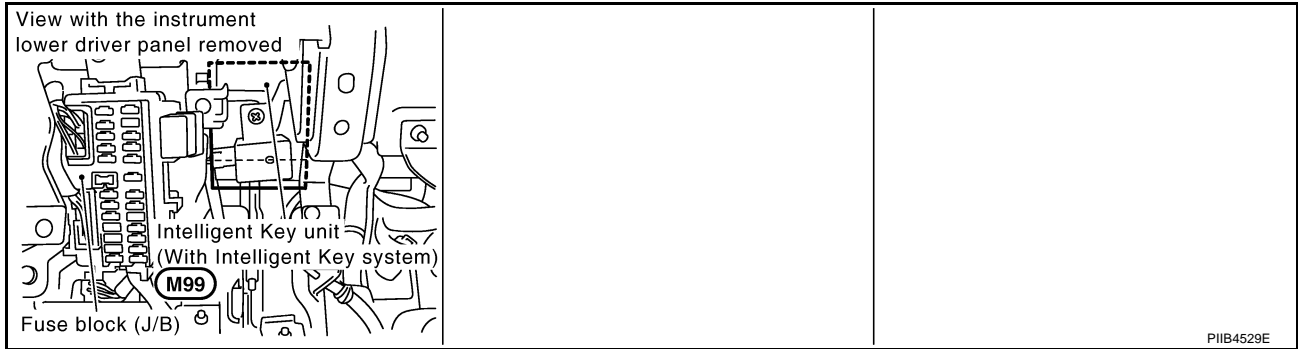
Component Parts and Harness Connector Location



PIIB4525E

A
B
C
D
E
F
G
H
BL
J
K
L
M

POWER DOOR LOCK SYSTEM



System Description

AIS002EX

Power is supplied at all times

- through 50A fusible link (letter **F** , located in the fuse and fusible link box)
- to BCM terminal 55
- through 10A fuse [No. 18, located in the fuse block (J/B)]
- to BCM terminal 42
- through 10A fuse [No. 21, located in the fuse block (J/B)]
- to key switch terminal 3 (without Intelligent Key system)
- through 10A fuse [No. 22, located in the fuse block (J/B)]
- to key switch and ignition knob switch terminal 1 and 3 (with Intelligent Key system)

When key switch is ON (key is inserted in ignition key cylinder), power is supplied

- through key switch terminal 4 (without Intelligent Key system)
- through key switch and ignition switch terminal 4 (with Intelligent Key system)
- to BCM terminal 37.

Ground is supplied

- to BCM terminal 52
- through body grounds E13, E26 and E28.

When front door switch (driver side) is ON (door is OPEN), ground is supplied

- to BCM terminal 62
- through front door switch (driver side) terminals 4 and 5
- through body grounds M14 and M78.

When front door switch (passenger side) is ON (door is OPEN), ground is supplied

- to BCM terminal 12
- through front door switch (passenger side) terminals 4 and 5
- through body grounds M14 and M78.

When rear door switch LH is ON (door is OPEN), ground is supplied

- to BCM terminal 63
- through rear door switch LH terminals 4 and 5
- through body grounds B7 and B20.

When rear door switch RH is ON (door is OPEN), ground is supplied

- to BCM terminal 13
- through rear door switch RH terminals 4 and 5
- through body grounds B105 and B116.

When back door switch is ON (back door is OPEN), ground is supplied

- to BCM terminal 58
- through back door switch terminals 3 and 4
- through body grounds B7 and B20.

When door is locked and unlocked with power window main switch (door lock and unlock switch), ground is supplied

POWER DOOR LOCK SYSTEM

- to CPU of power window main switch
- through power window main switch (door lock and unlock switch) terminal 17
- through body grounds M14 and M78.

Then power window main switch (door lock and unlock switch) operation signal is supplied.

- to BCM terminal 22
- through power window main switch (door lock and unlock switch) terminal 14.

When door is locked and unlocked with front power window switch (passenger side) (door lock and unlock switch), ground is supplied

- to CPU of front power window switch (passenger side)
- through front power window switch (passenger side) (door lock and unlock switch) terminal 11
- through body grounds M14 and M78.

Then front power window switch (passenger side) (door lock and unlock switch) operation signal is supplied

- to BCM terminal 22
- through front power window switch (passenger side) (door lock and unlock switch) terminal 16.

When door is locked with door key cylinder switch, ground is supplied (without Intelligent Key system)

- to power window main switch (door lock and unlock switch) terminal 4
- through door key cylinder switch terminals 1 and 5
- through body grounds M14 and M78.

Then door key cylinder switch operation signal (lock) is supplied

- to BCM terminal 22
- through power window main switch (door lock and unlock switch) terminal 14.

When door is locked with door key cylinder switch, ground is supplied (with Intelligent Key system)

- to power window main switch (door lock and unlock switch) terminal 4
- through door key cylinder switch terminals 1 and 2
- through body grounds M14 and M78.

Then door key cylinder switch operation signal (lock) is supplied

- to BCM terminal 22
- through power window main switch (door lock and unlock switch) terminal 14.

When the door is unlocked with door key cylinder switch, ground is supplied (without Intelligent Key system)

- to power window main switch (door lock and unlock switch) terminal 6
- through front door key cylinder switch (driver side) terminal 6 and 5
- through grounds M14 and M78.

Then door key cylinder switch operation signal (unlock) is supplied

- to BCM terminal 22
- through power window main switch (door lock and unlock switch) terminal 14.

When the door is unlocked with door key cylinder switch, ground is supplied (with Intelligent Key system)

- to power window main switch (door lock and unlock switch) terminal 6
- through front door key cylinder switch (driver side) terminal 3 and 2
- through grounds M14 and M78.

Then door key cylinder switch operation signal (unlock) is supplied

- to BCM terminal 22
- through power window main switch (door lock and unlock switch) terminal 14.

BCM is connected to power window main switch and front power window switch (passenger side) as serial link.

FUEL LID OPERATION

When door is unlocked with power window main switch (door lock and unlock switch), fuel lid lock actuator is unlocked.

Ground is supplied

- to BCM terminal 44

A

B

C

D

E

F

G

H

BL

J

K

L

M

POWER DOOR LOCK SYSTEM

- through fuel lid lock actuator terminal 1 and 3
- through BCM terminal 50.

In this condition, fuel lid can be opened if it is pushed

POWER WINDOW SERIAL LINK

Power window main switch, front power window switch (passenger side) and BCM transmit and receive the signal by power window serial link.

The under mentioned signal is transmitted from power window main switch to BCM.

- Door lock and unlock switch signal.

The under mentioned signal is transmitted from front power window switch (passenger side) to BCM.

- Door lock and unlock switch signal.

OUTLINE

Functions Available By Operating the Door Lock and Unlock Switches on Driver's Door and Passenger's Door

- Interlocked with the locking operation of door lock and unlock switch, door lock actuators of all doors and fuel lid lock actuator are locked.
- Interlocked with the unlocking operation of door lock and unlock switch, door lock actuators of all doors and fuel lid lock actuator are unlocked.

Functions Available By Operating the Door Key Cylinder Switch

- Interlocked with the locking operation of door key cylinder, door lock actuators of all doors and fuel lid lock actuator are locked.
- When door key cylinder is unlocked, door lock actuator driver side is unlocked.
- When door key cylinder is unlocked for the second time within 5 seconds after the first operation, door lock actuators on all doors and fuel lid lock actuator are unlocked.

Unlock mode can be changed using "DOOR LOCK-UNLOCK SET" mode in "WORK SUPPORT".

Refer to [BL-41, "Work Support"](#).

Key Reminder Door System

When door lock and unlock switch is operated to lock doors with ignition key put in ignition key cylinder and any door (include back door) open, all door lock actuators are locked and then unlocked.

Key reminder mode can be changed using "ANTI-LOCK OUT SET" mode in "WORK SUPPORT".

Refer to [BL-41, "Work Support"](#).

POWER DOOR LOCK SYSTEM

CAN Communication System Description

AIS003CL

CAN (Controller Area Network) is a serial communication line for real time application. It is an on-vehicle multiplex communication line with high data communication speed and excellent error detection ability. Many electronic control units are equipped onto a vehicle, and each control unit shares information and links with other control units during operation (not independent). In CAN communication, control units are connected with 2 communication lines (CAN H line, CAN L line) allowing a high rate of information transmission with less wiring. Each control unit transmits/receives data but selectively reads required data only.

CAN Communication Unit

AIS003KH

Refer to [LAN-29, "CAN COMMUNICATION"](#) .

A

B

C

D

E

F

G

H

BL

J

K

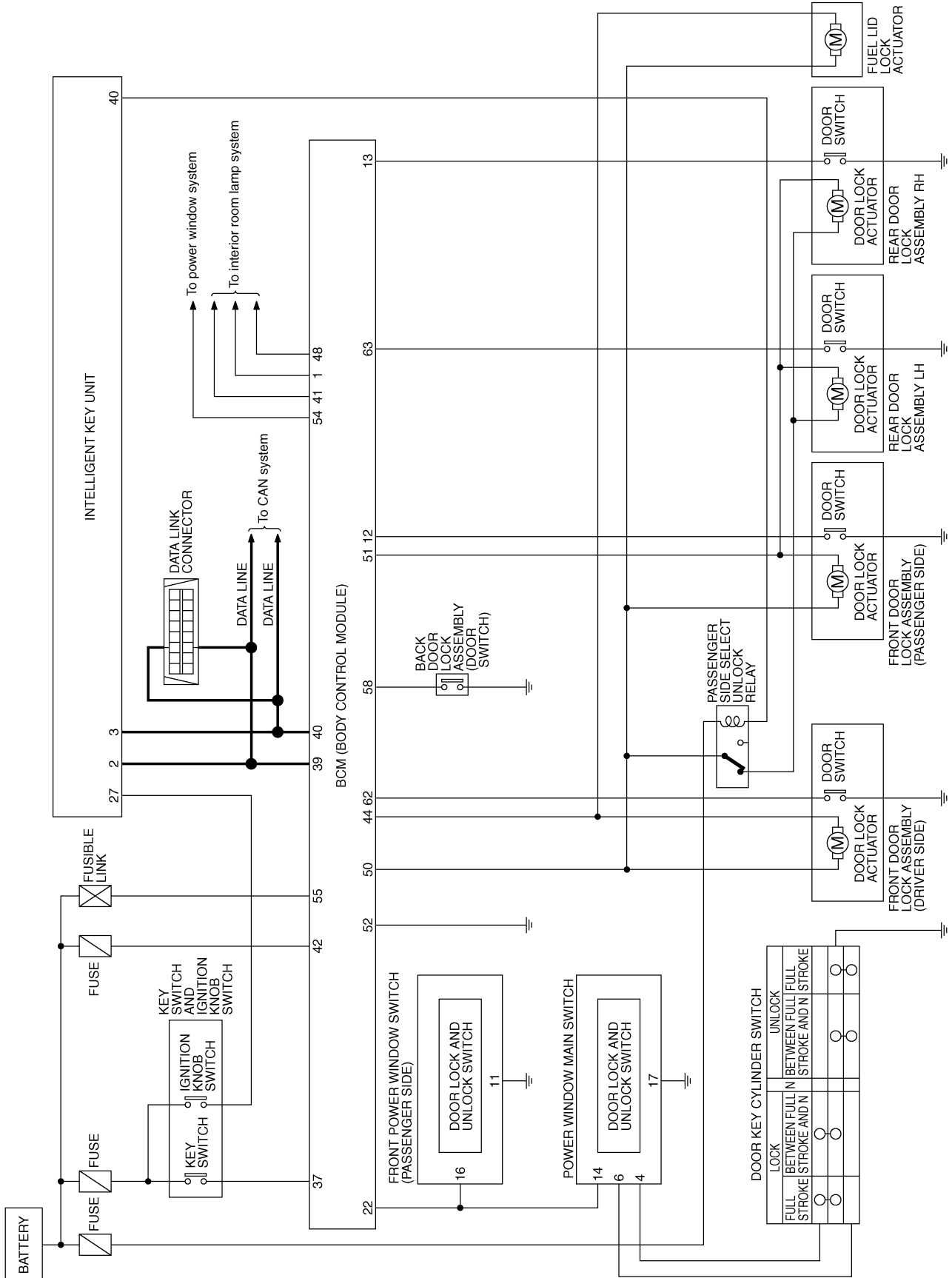
L

M

POWER DOOR LOCK SYSTEM

Schematic / With Intelligent Key

AIS002EY



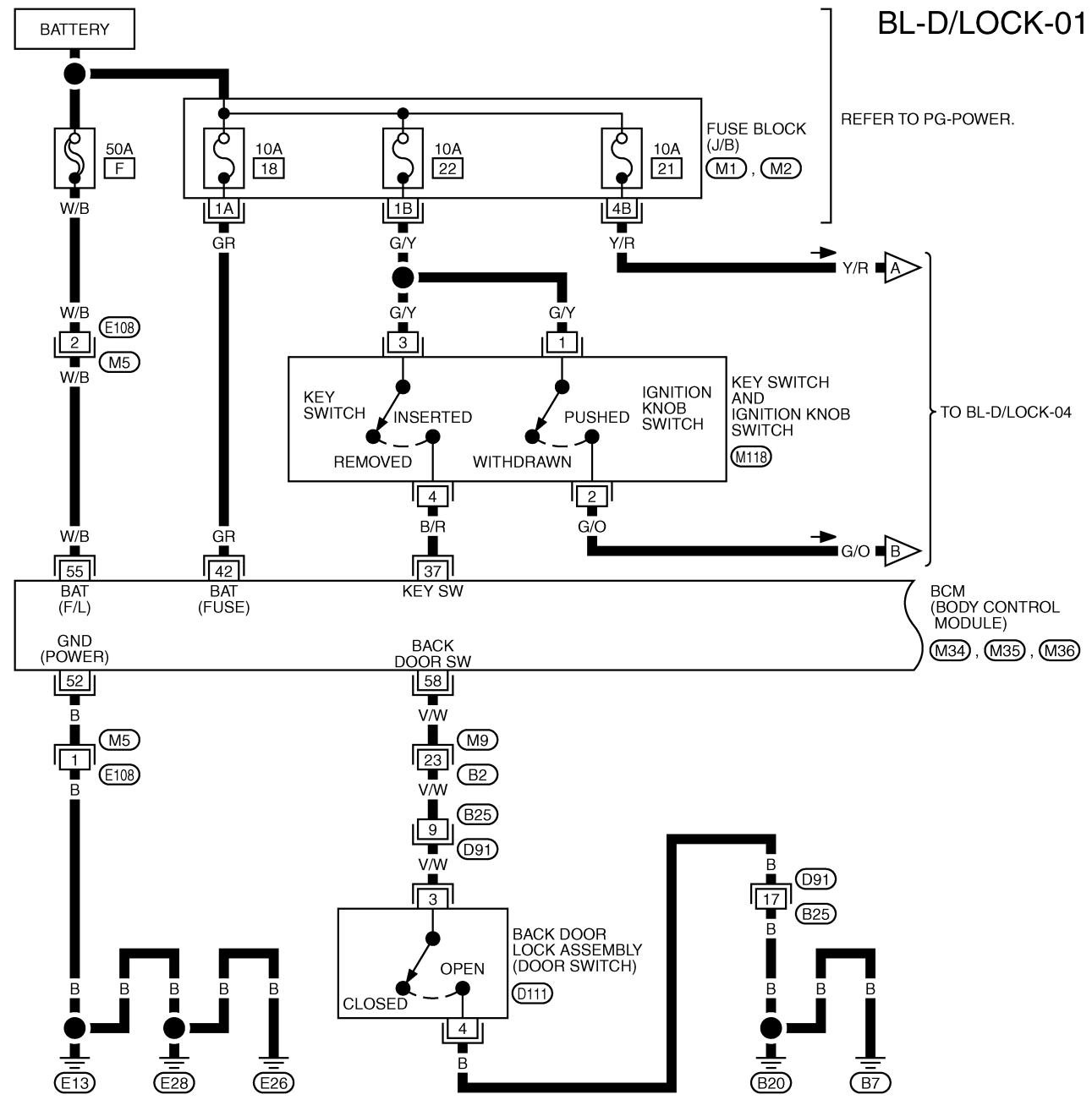
TIWB0132E

POWER DOOR LOCK SYSTEM

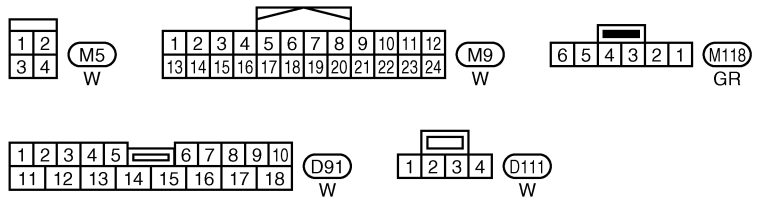
Wiring Diagram -D/LOCK- / With Intelligent Key

FIG. 1

AIS002EZ



A
B
C
D
E
F
G
H
BL
J
K
L
M



REFER TO THE FOLLOWING.

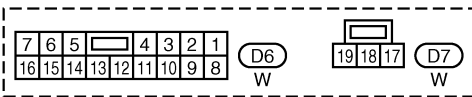
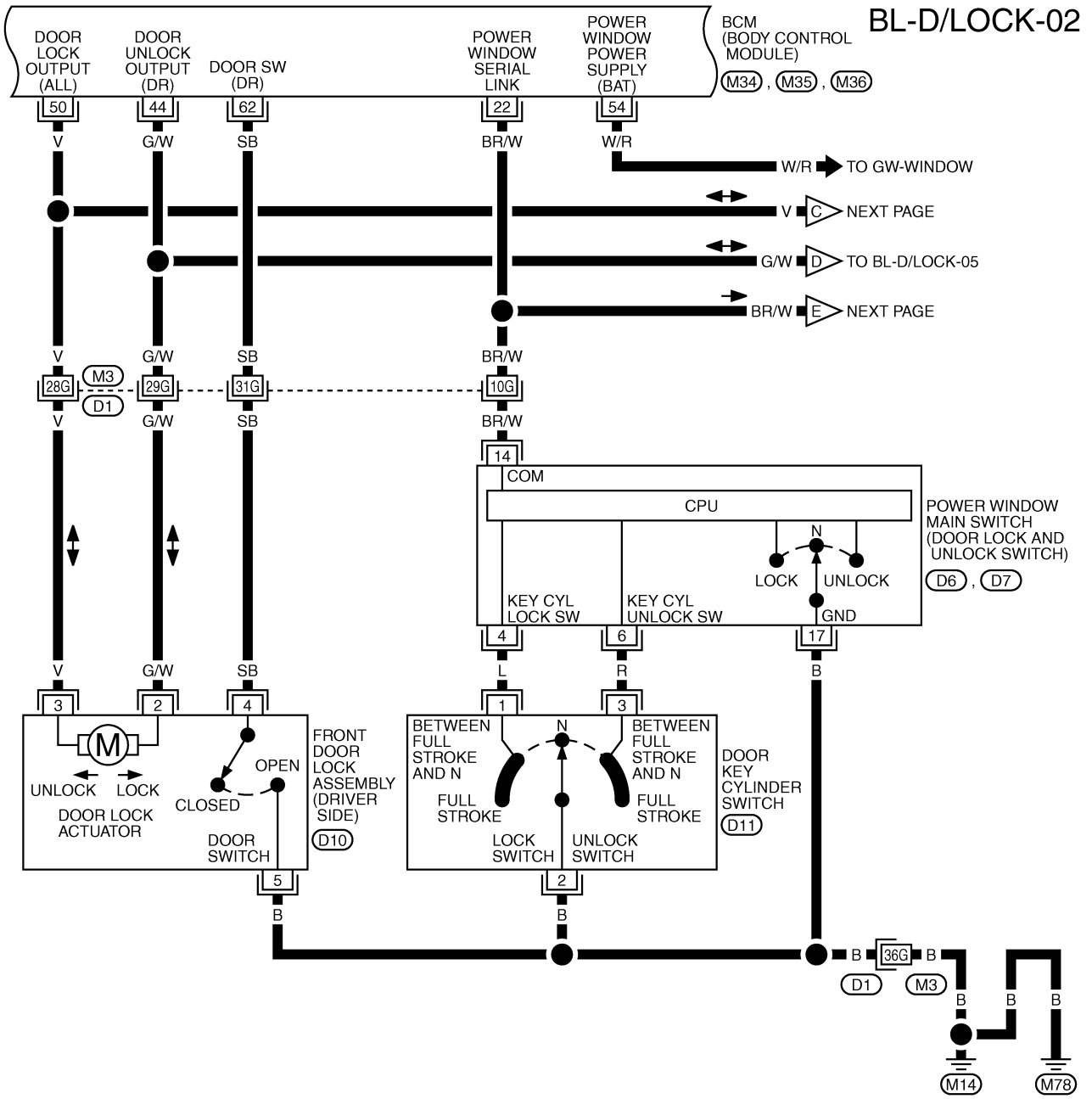
(M1), (M2) - FUSE BLOCK-JUNCTION BOX (J/B)

(M34), (M35), (M36) - ELECTRICAL UNITS

TIWB0133E

POWER DOOR LOCK SYSTEM

FIG. 2



REFER TO THE FOLLOWING.

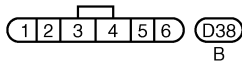
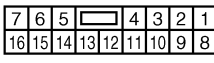
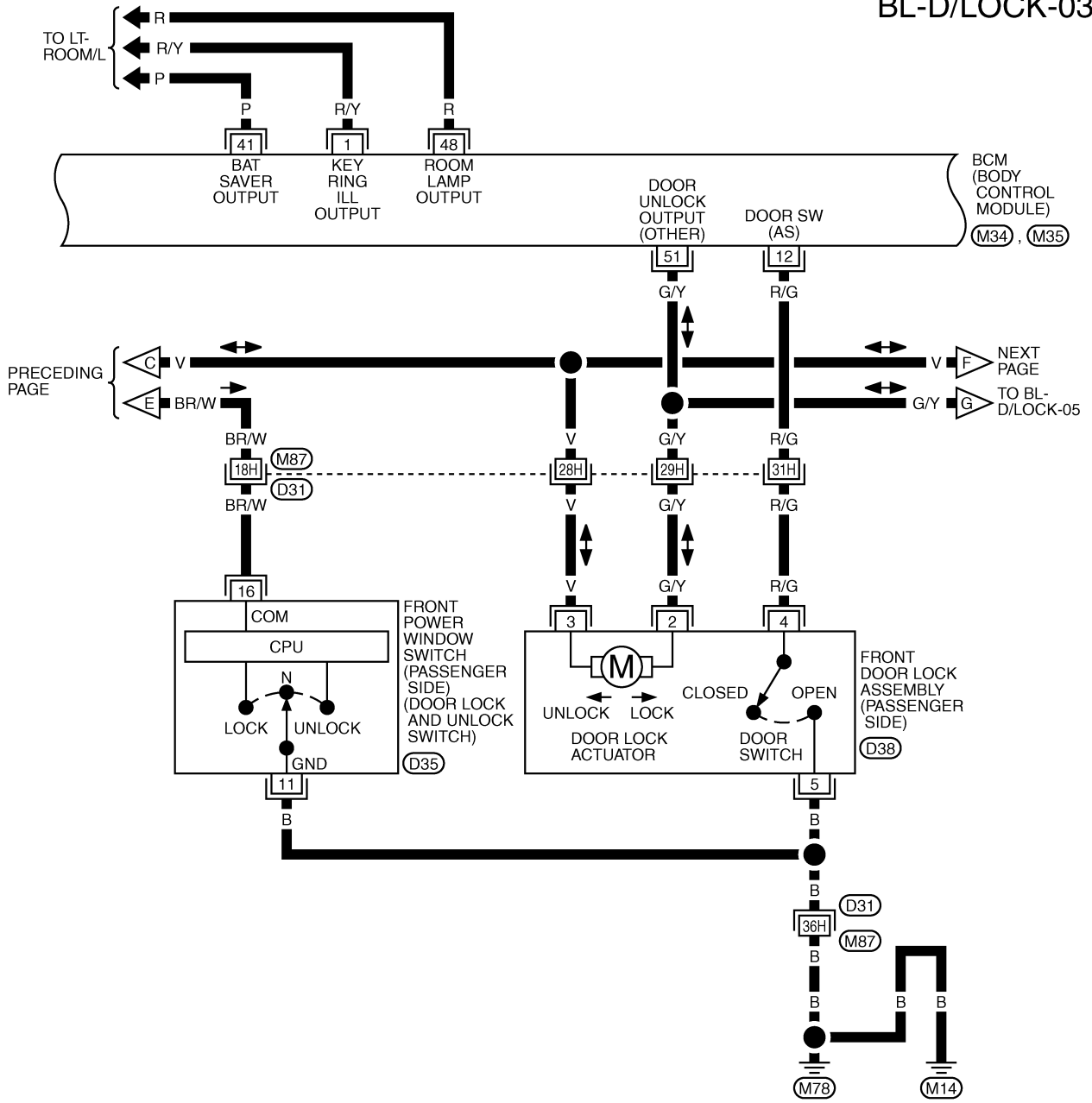
(D1) -SUPER MULTIPLE JUNCTION (SMJ)

(M34), (M35), (M36) -ELECTRICAL UNITS

POWER DOOR LOCK SYSTEM

FIG. 3

BL-D/LOCK-03



REFER TO THE FOLLOWING.

(D31) -SUPER MULTIPLE JUNCTION (SMJ)

(M34), (M35) -ELECTRICAL UNITS

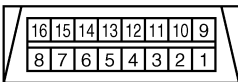
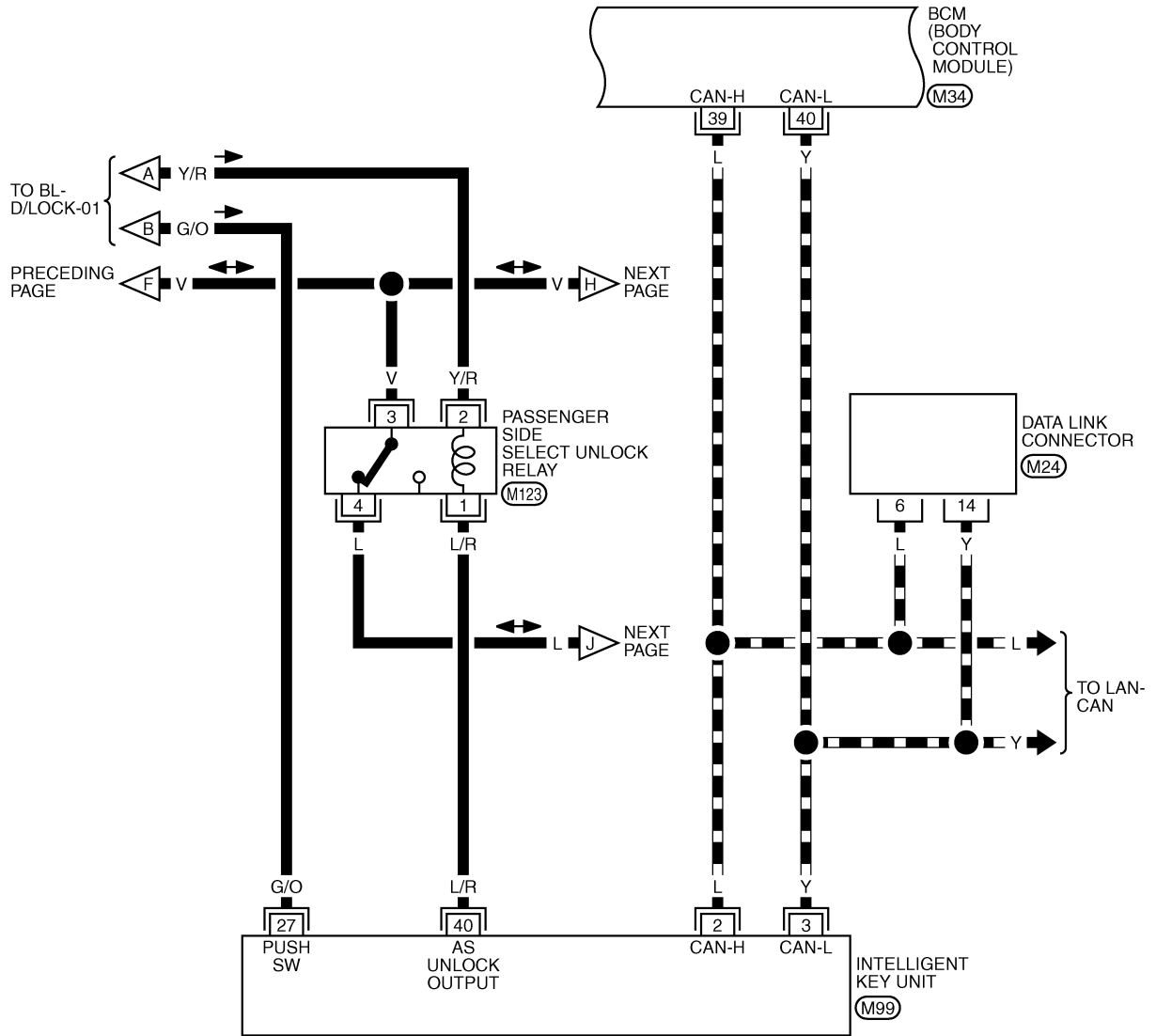
TIW0135E

POWER DOOR LOCK SYSTEM

FIG. 4

BL-D/LOCK-04

▬ : DATA LINE



M24
W



M123
B

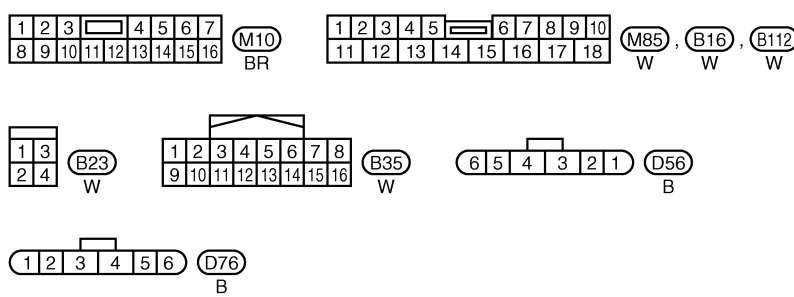
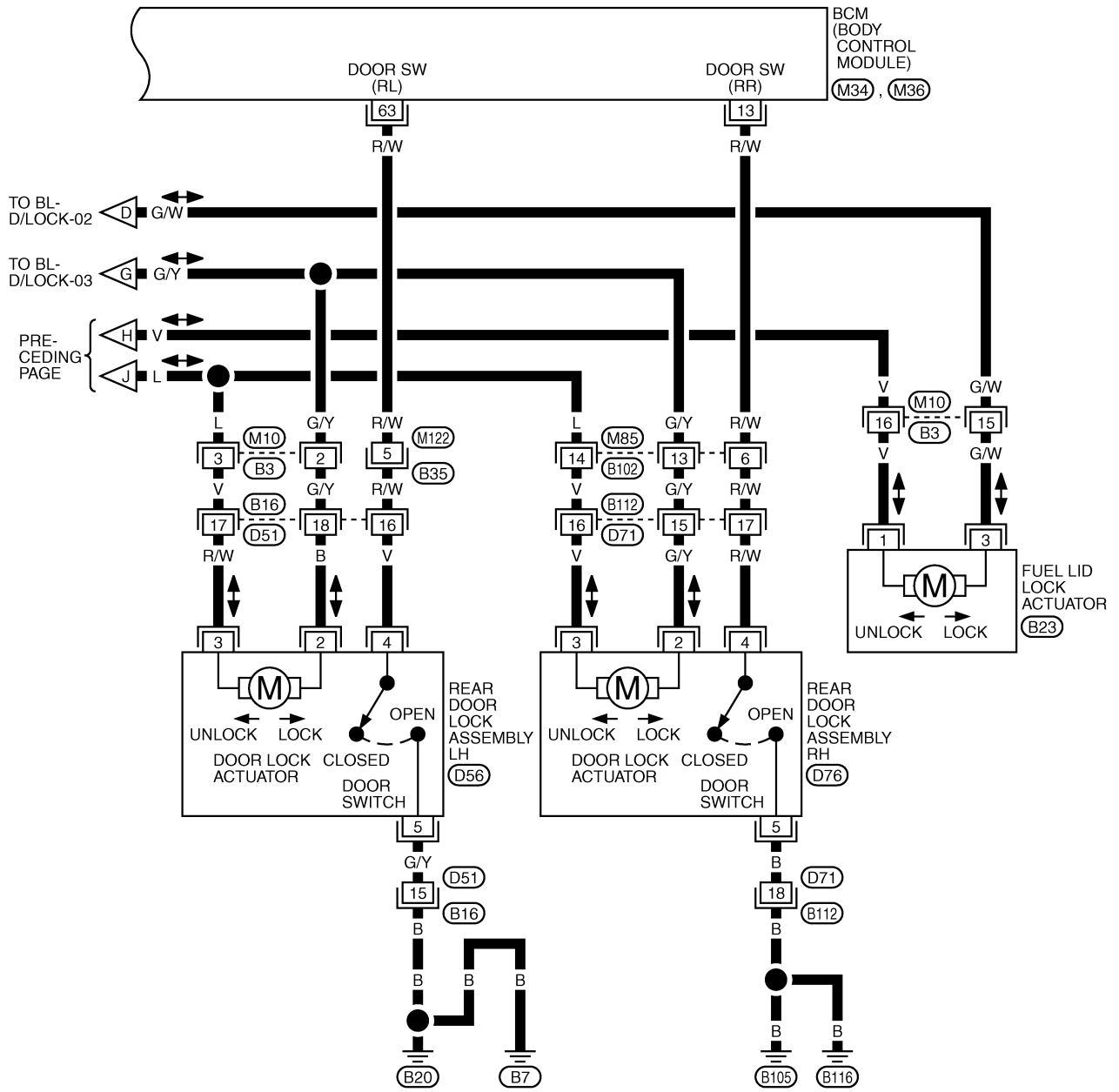
REFER TO THE FOLLOWING.
M34, M99 -ELECTRICAL
UNITS

TIWB0136E

POWER DOOR LOCK SYSTEM

FIG. 5

BL-D/LOCK-05



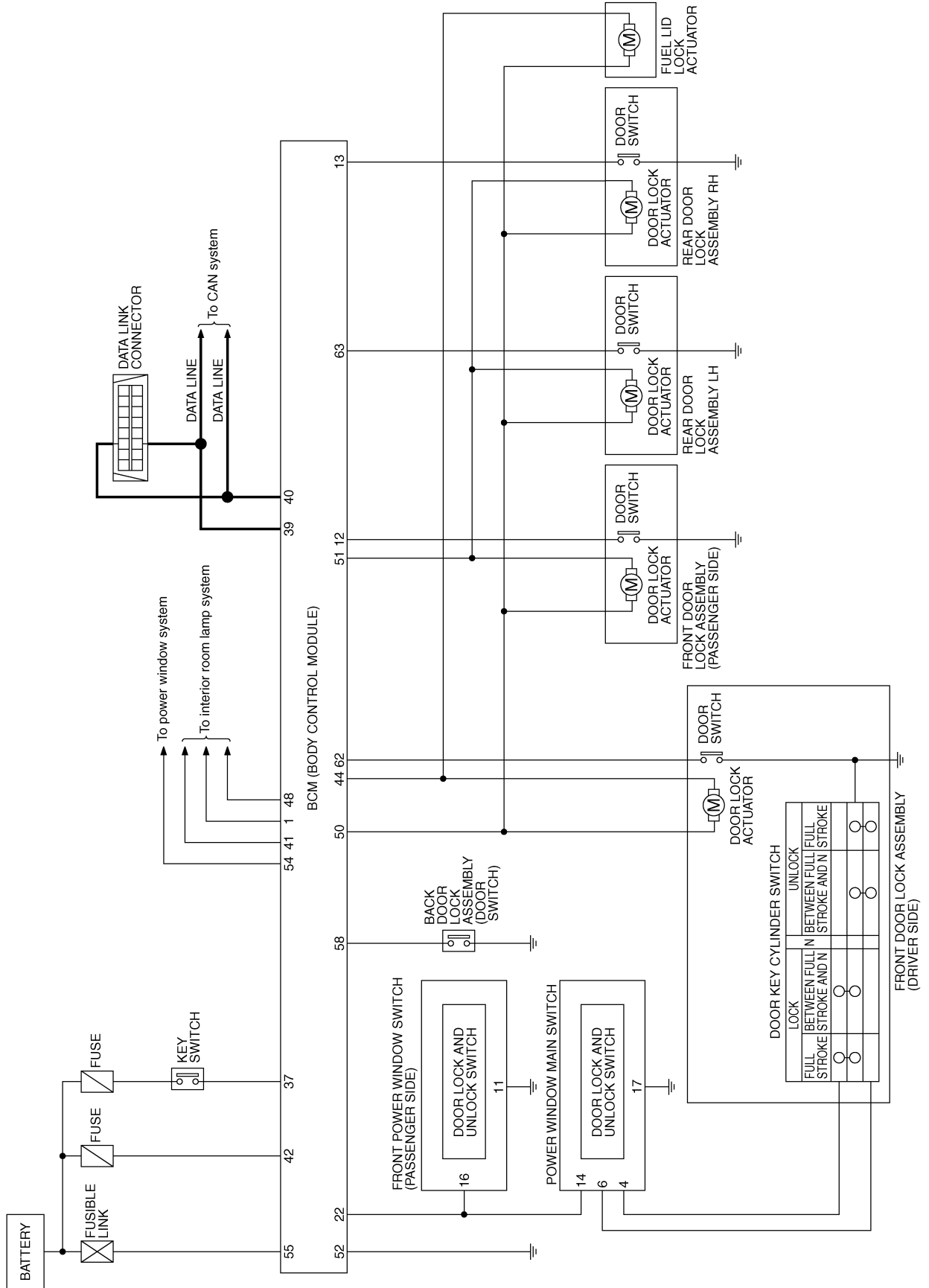
REFER TO THE FOLLOWING.
 (M34), (M36) -ELECTRICAL
 UNITS

A
B
C
D
E
F
G
H
BL
J
K
L
M

POWER DOOR LOCK SYSTEM

Schematic / Without Intelligent Key

AIS006EG



TIWB0138E

POWER DOOR LOCK SYSTEM

Wiring Diagram -D/LOCK- / Without Intelligent Key

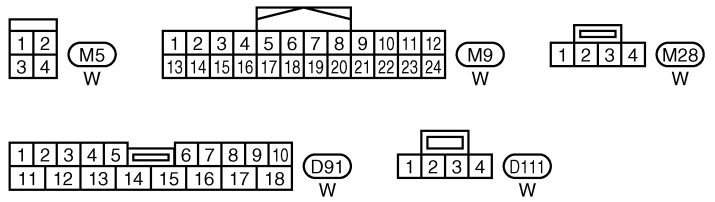
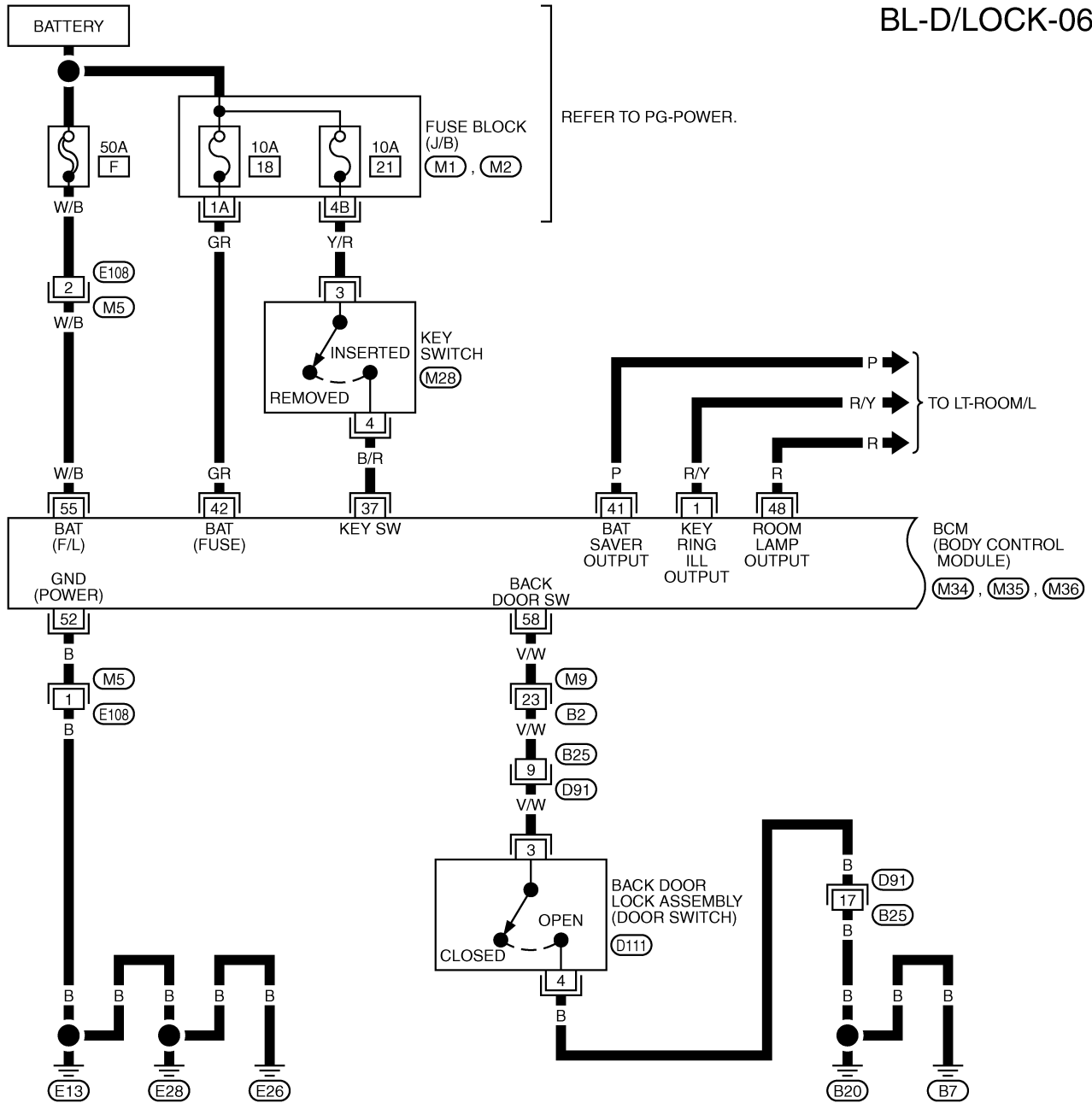
FIG. 6

AIS006EH

BL-D/LOCK-06

A
B
C
D
E
F
G
H
I
J
K
L
M

BL



REFER TO THE FOLLOWING.

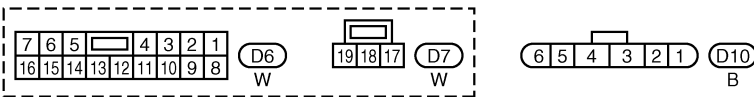
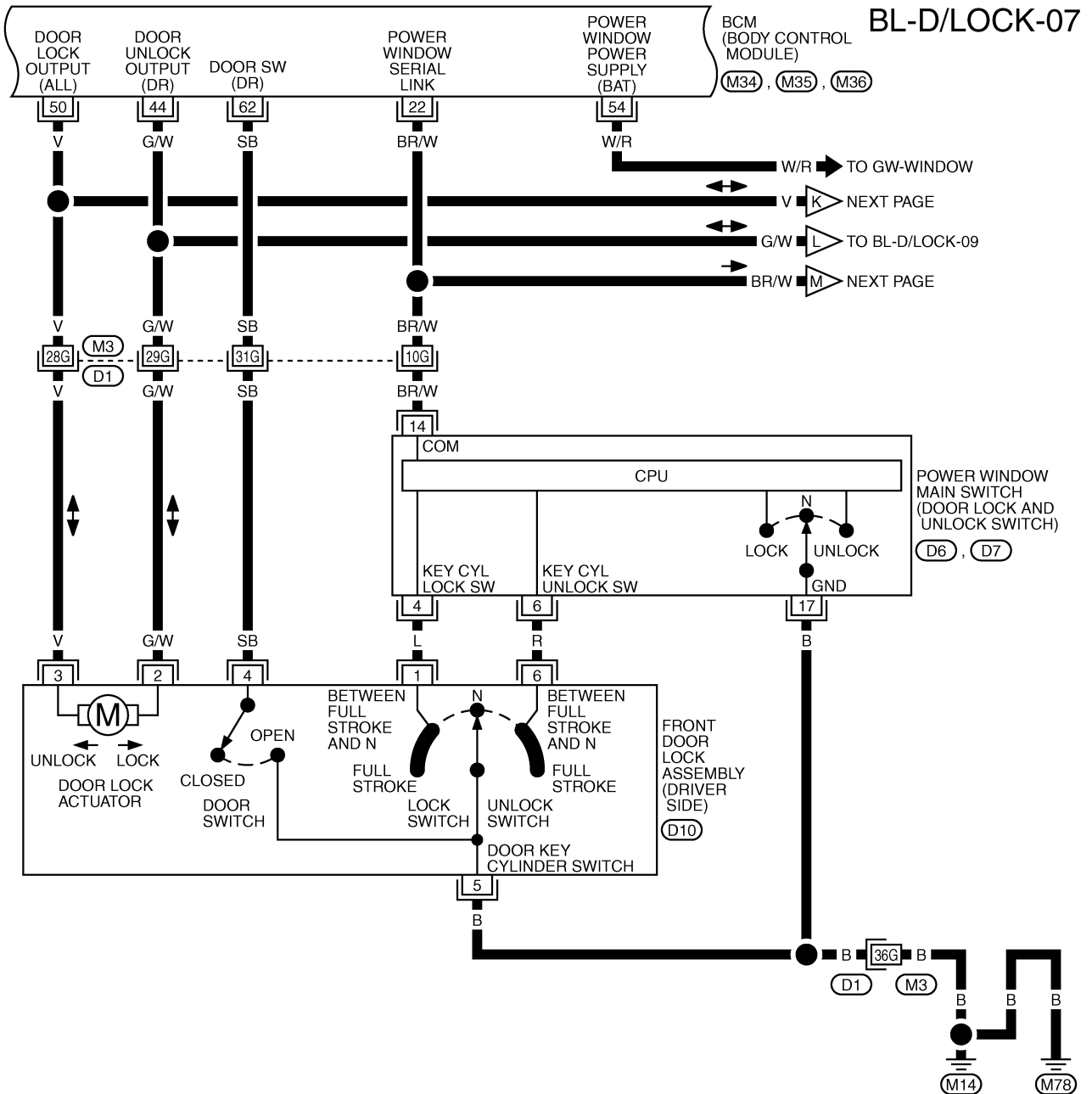
(M1), (M2) - FUSE BLOCK-JUNCTION BOX (J/B)

(M34), (M35), (M36) - ELECTRICAL UNITS

TIWB0139E

POWER DOOR LOCK SYSTEM

FIG. 7



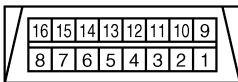
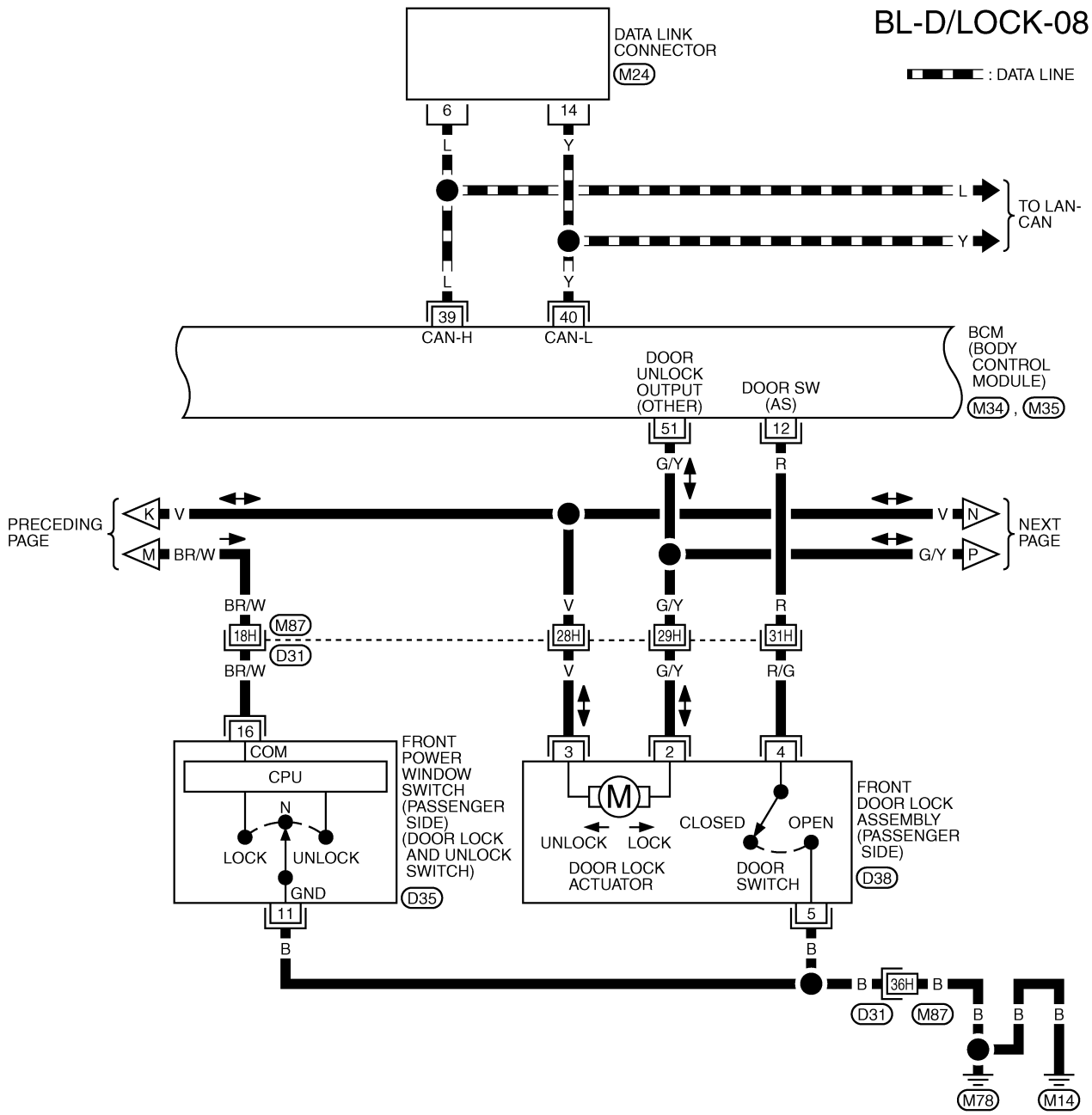
REFER TO THE FOLLOWING.

(D1) -SUPER MULTIPLE JUNCTION (SMJ)

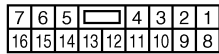
(M34), (M35), (M36) -ELECTRICAL UNITS

POWER DOOR LOCK SYSTEM

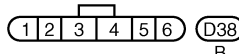
FIG. 8



M24
W



D35
W



D38
B

REFER TO THE FOLLOWING.

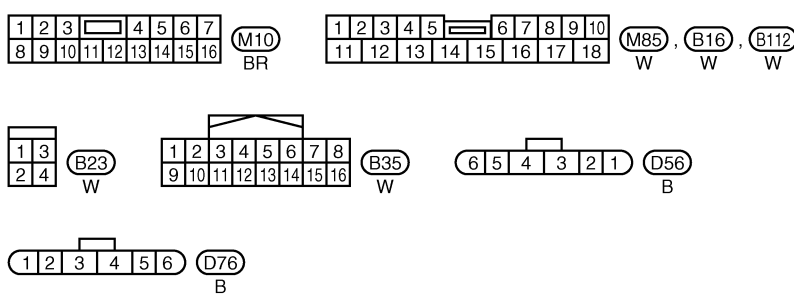
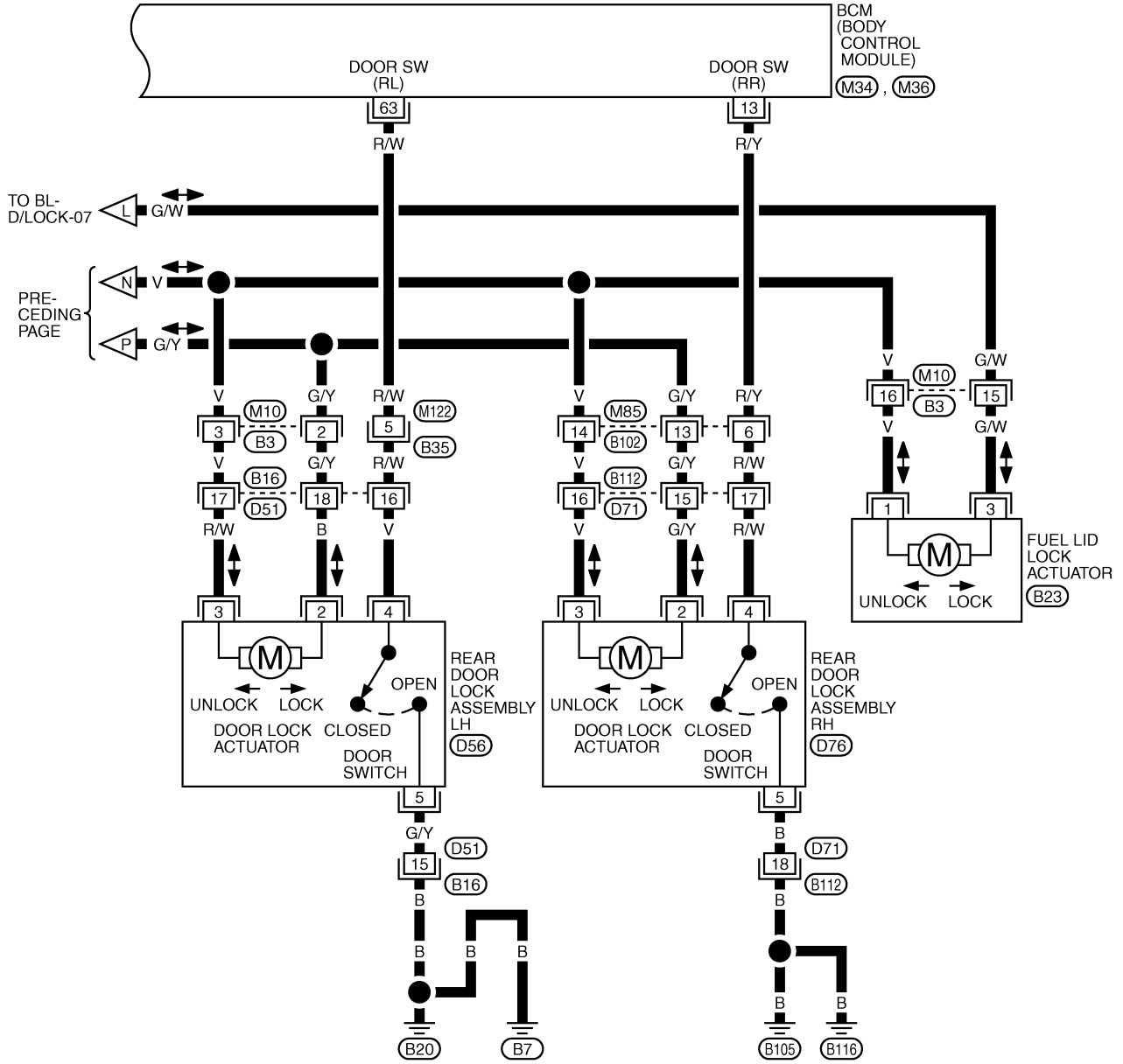
D31 -SUPER MULTIPLE JUNCTION (SMJ)

M34, M35 -ELECTRICAL UNITS

POWER DOOR LOCK SYSTEM

FIG. 9

BL-D/LOCK-09



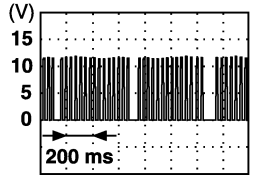
REFER TO THE FOLLOWING.
 (M34), (M36) -ELECTRICAL
 UNITS

TIWB0142E

POWER DOOR LOCK SYSTEM

Terminals and Reference Value for BCM

AIS002HG

TERMINAL	WIRE COLOR	ITEM	CONDITION	VOLTAGE [V] (Approx.)
1	R/Y	Key ring illumination output signal	Key ring illumination is lighting.	Battery voltage
			Key ring illumination is being turned off.	0
12	R R/G*1	Front door switch (Passenger side)	ON (Door is opened) → OFF (Door is closed)	0 → Battery voltage
13	R/Y R/W*1	Rear door switch RH	ON (Door is opened) → OFF (Door is closed)	0 → Battery voltage
22	BR/W	Power window serial link	Ignition switch (ON or power window timer operating)	 PIIA2344J
37	B/R	Key switch	Key switch ON (key is inserted in ignition key cylinder)	Battery voltage
			Key switch OFF (key is removed from ignition key cylinder)	0
39	L	CAN-H	—	—
40	Y	CAN-L	—	—
41	P	Battery saver output signal	30 minutes after ignition switch is turned to OFF	0
			Ignition switch is in ON position	Battery voltage
42	GR	Power source (Fuse)	—	Battery voltage
44	G/W	Driver door lock actuator and fuel lid opener actuator (Unlock)	Door lock and unlock switch (Free → Unlock)	0 → Battery voltage → 0
48	R	Room lamp output signal	Room lamp is lighting.*2	
			Room lamp is being turned off.*2	
50	V	All door lock actuators (lock)	Door lock and unlock switch (Free → Lock)	0 → Battery voltage → 0
51	G/Y	Passenger and rear doors lock actuator (unlock)	Door lock and unlock switch (Free → Unlock)	0 → Battery voltage → 0
52	B	Ground	—	0
55	W/B	Power source (Fusible link)	—	Battery voltage
58	V/W	Back door switch	ON (Back door is opened) → OFF (Back door is closed)	0 → Battery voltage
62	SB	Front door switch (Driver side)	ON (Door is opened) → OFF (Door is closed)	0 → Battery voltage
63	R/W	Rear door switch LH	ON (Door is opened) → OFF (Door is closed)	0 → Battery voltage

*1 : With Intelligent Key

*2 : In the state that room lamp switch is in "DOOR" position.

POWER DOOR LOCK SYSTEM

AIS002F3

CONSULT-II Function (BCM)

CONSULT-II and display each diagnostic item using the diagnostic test modes shown following.

BCM diagnosis part	Inspection item, self-diagnosis mode	Content
BCM C/U*	SELF-DIAG RESULTS	Carries out the self-diagnosis.
	CAN DIAG SUPPORT MNTR	Displays CAN communication system diagnosis, disabled transmission status, and communication status of each unit communicated with BCM
	DATA MONITOR	Displays the input data to BCM on real-time basis.
DOOR LOCK	WORK SUPPORT	Changes the setting for each function.
	DATA MONITOR	Displays the input data of BCM in real time.
	ACTIVE TEST	Give a drive signals to load to check the operation.

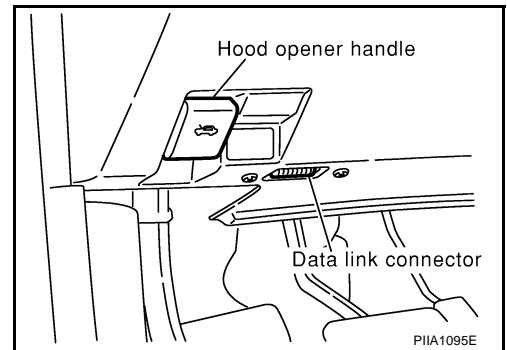
*: Refer to [BCS-15, "CAN Communication Inspection Using CONSULT-II \(Self-Diagnosis\)"](#) .

CONSULT-II BASIC OPERATION PROCEDURE

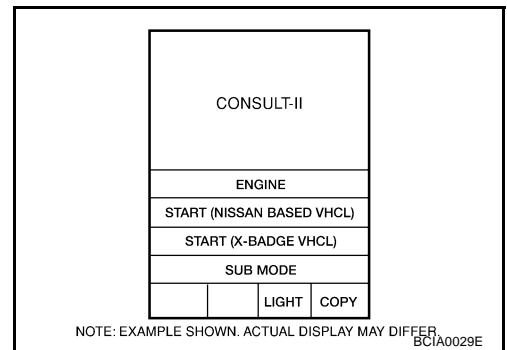
CAUTION:

If CONSULT-II is used with no connection of CONSULT-II CONVERTER, malfunctions might be detected in self-diagnosis depending on control unit which carry out CAN communication.

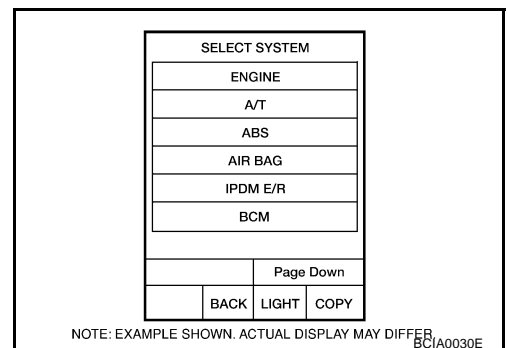
1. Turn ignition switch "OFF".
2. Connect "CONSULT-II" and "CONSULT-II CONVERTER" to data link connector.



3. Turn ignition switch "ON".
4. Touch "START (NISSAN BASED VHCL)".

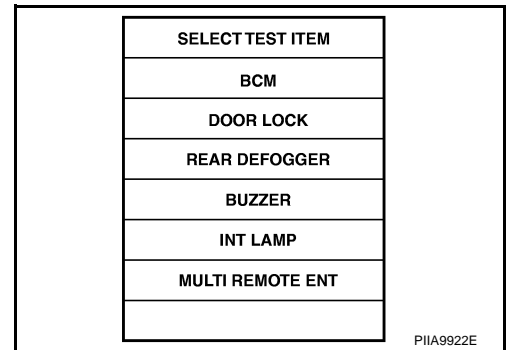


5. Touch "BCM" on "SELECT SYSTEM" screen.
If "BCM" is not indicated, go to [GI-39, "CONSULT-II Data Link Connector \(DLC\) Circuit"](#) .

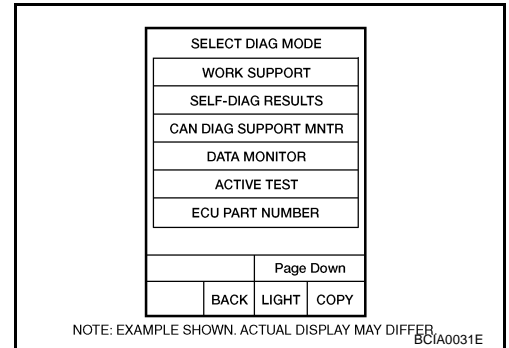


POWER DOOR LOCK SYSTEM

6. Touch "DOOR LOCK".



7. Select diagnosis mode.
"WORK SUPPORT", "DATA MONITOR" and "ACTIVE TEST" are available.



CONSULT-II APPLICATION ITEMS

Work Support

Work item	Description
DOOR LOCK-UNLOCK SET	Select unlock mode can be changed in this mode. Selects ON-OFF of select unlock mode.
ANTI-LOCK OUT SET	Key reminder door mode can be changed in this mode. Selects ON-OFF of key reminder door mode.

Data Monitor

Monitor item	Content
IGN ON SW	Indicates [ON/OFF] condition of ignition switch in ON position.
KEY ON SW	Indicates [ON/OFF] condition of key switch.
CDL LOCK SW	Indicates [ON/OFF] condition of lock signal from door lock and unlock switch.
CDL UNLOCK SW	Indicates [ON/OFF] condition of unlock signal from door lock and unlock switch.
DOOR SW-DR	Indicates [ON/OFF] condition of front door switch driver side.
DOOR SW-AS	Indicates [ON/OFF] condition of front door switch passenger side.
DOOR SW-RR	Indicates [ON/OFF] condition of rear door switch RH.
DOOR SW-RL	Indicates [ON/OFF] condition of rear door switch LH.
BACK DOOR SW	Indicates [ON/OFF] condition of back door switch.
KEY CYL LK-SW	Indicates [ON/OFF] condition of lock signal from key cylinder.
KEY CYL UN-SW	Indicates [ON/OFF] condition of unlock signal from key cylinder.
KEYLESS LOCK	Indicates [ON/OFF] condition of lock signal from key fob.
KEYLESS UNLOCK	Indicates [ON/OFF] condition of unlock signal from key fob.

Active Test

Test item in "DOOR LOCK"	Content
ALL LOCK	This test is able to check all door lock actuators lock operation. These actuators lock when "ALL LOCK" on CONSULT-II screen is touched.
ALL UNLOCK	This test is able to check all door lock actuators unlock operation. These actuators unlock when "ALL UNLOCK" on CONSULT-II screen is touched.

POWER DOOR LOCK SYSTEM

Test item in "DOOR LOCK"	Content
DR UNLOCK	This test is able to check door lock actuator (driver side) lock/unlock operation. This actuator unlock when "DR UNLOCK" on CONSULT-II screen is touched.
OTHER UNLOCK	This test is able to check all door lock actuators (except driver side) unlock operation. These actuators unlock when "OTHER UNLOCK" on CONSULT-II screen is touched.

POWER DOOR LOCK SYSTEM

Work Flow

AIS002F1

1. Check the symptom and customer's requests.
2. Understand the outline of system. Refer to [BL-24, "System Description"](#) .
3. According to the trouble diagnosis chart, repair or replace the cause of the malfunction. Refer to [BL-43, "Trouble Diagnoses Chart by Symptom"](#) .
4. Does power door lock system operate normally?
YES: GO TO 5.
NO: GO TO 3.
5. INSPECTION END.

Trouble Diagnoses Chart by Symptom

AIS002F4

NOTE:

Always check the "Work Flow" before troubleshooting. Refer to [BL-43, "Work Flow"](#) .

Symptom	Diagnoses service procedure	Refer to page
Power door lock does not operate with door lock and unlock switch on power window main switch or front power window switch (passenger side).	1. Check power supply and ground circuit	BL-44
	2. Check door lock and unlock switch.	BL-51
	3. Replace BCM.	BCS-16
Specific door lock actuator does not operate.	1. Check door lock actuator.	BL-53 ^{*1} BL-54 ^{*2}
	2. Replace BCM.	BCS-16
Power door lock does not operate with front door key cylinder operation, but operates with door lock and unlock switch.	1. Check front door key cylinder switch.	BL-55 BL-56
	2. Replace power window main switch.	—
Fuel lid opener actuator does not operate at all. (All door lock actuators are activate properly.)	1. Check fuel lid lock actuator circuit.	BL-57
	2. Replace BCM.	BCS-16
Key reminder door system does not operate properly.	1. Check key reminder door mode.* * : Key reminder door mode can be changed. First check key reminder door mode.	
	2. Check power supply and ground circuit	BL-44
	3. Check key switch.	BL-49
	4. Check ignition knob switch. ^{*3}	
	5. Check door switch.	BL-45
	6. Replace BCM.	BCS-16

*1 : Driver side

*2 : Passenger side, rear LH, RH

*3 : With Intelligent Key

POWER DOOR LOCK SYSTEM

AIS002F2

Power Supply and Ground Circuit Check

1. FUSE INSPECTION

Check the following.

- 50A fusible link (letter **F** , located in the fuse and fusible link box)
- 10A fuse [No.18 located in the fuse block (J/B)]

NOTE:

Refer to [BL-23, "Component Parts and Harness Connector Location"](#) .

OK or NG

OK >> GO TO 2.

NG >> If fuse is blown, be sure to eliminate cause of malfunction before installing new fuse, refer to [PG-3, "POWER SUPPLY ROUTING CIRCUIT"](#) .

2. CHECK POWER SUPPLY CIRCUIT

1. Turn ignition switch OFF.
2. Disconnect BCM connector.
3. Check voltage between BCM connector M35 terminals 42, 55 and ground.

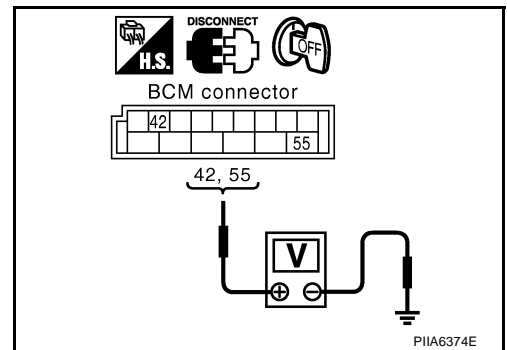
42 (GR) – Ground : Battery voltage.

55 (W/B) – Ground : Battery voltage.

OK or NG

OK >> GO TO 3.

NG >> Repair or replace BCM power supply circuit.



3. CHECK GROUND CIRCUIT

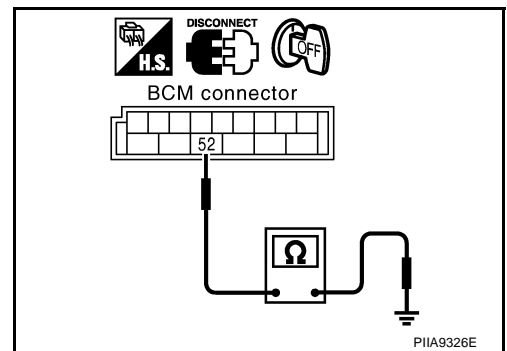
Check continuity between BCM connector M35 terminal 52 (B) and ground.

52 (B) – Ground : Continuity should exist.

OK or NG

OK >> BCM power supply and ground circuit is OK.

NG >> Repair or replace BCM ground circuit.



POWER DOOR LOCK SYSTEM

AIS003C5

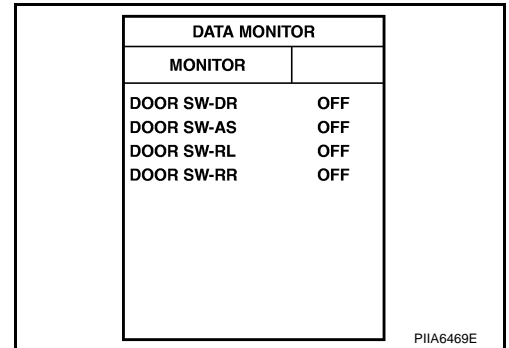
Check Door Switch CHECK DOOR SWITCH (EXCEPT BACK DOOR SWITCH)

1. CHECK DOOR SWITCH INPUT SIGNAL

④ With CONSULT-II

Check door switches (“DOOR SW-DR”, “DOOR SW-AS”, “DOOR SW-RL” and “DOOR SW-RR”) in “DATA MONITOR” mode with CONSULT-II.

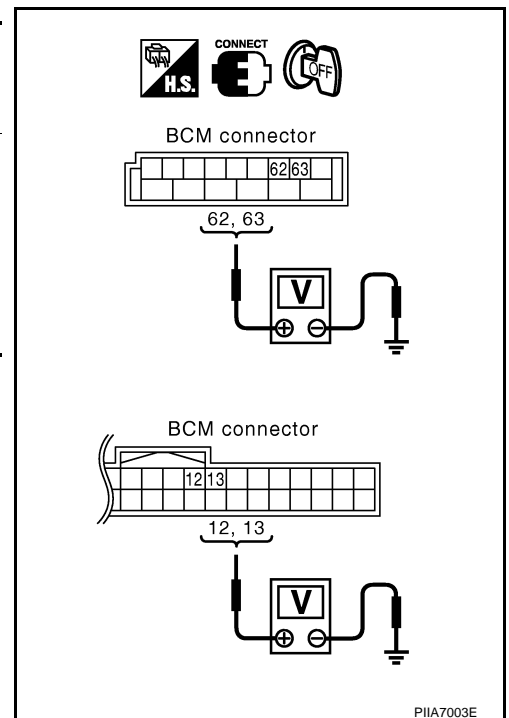
Monitor item	Condition	
DOOR SW-DR	Door is closed	OFF
DOOR SW-AS		
DOOR SW-RL	Door is opened	ON
DOOR SW-RR		



⊗ Without CONSULT-II

Check voltage between BCM and ground.

Door switch	Connector	Terminals (wire color)		Condition	Voltage [V] (Approx.)
		(+)	(-)		
Driver side	M36	62 (SB)	Ground	Door close ↓ Door open	Battery voltage ↓ 0
Rear LH		63 (R/W)			
Passenger side	M34	12 (R or R/G)			
Rear RH		13 (R/Y or R/W)			



OK or NG

- OK >> Door switch circuit is OK.
- NG >> GO TO 2

POWER DOOR LOCK SYSTEM

2. CHECK DOOR SWITCH

1. Turn ignition switch OFF.
2. Disconnect door switch and unified BCM connectors.
3. Check continuity between BCM and door switch.

Door switch	Connector	Terminal (wire color)	Connector	Terminal (wire color)	Continuity
Driver side	M36	62 (SB)	D10	4 (SB)	Yes
Rear LH		63 (R/W)	D56	4 (V)	
Passenger side	M34	12 (R or R/G)	D38	4 (R/G)	
Rear RH		13 (R/Y or R/W)	D76	4 (R/W)	

4. Check continuity between BCM and ground.

Door switch	Connector	Terminal (wire color)	Continuity
Driver side	M36	62 (SB)	No
Rear LH		63 (R/W)	
Passenger side	M34	12 (R or R/G)	
Rear RH		13 (R/Y or R/W)	

OK or NG

- OK >> GO TO 3.
 NG >> Repair or replace harness.

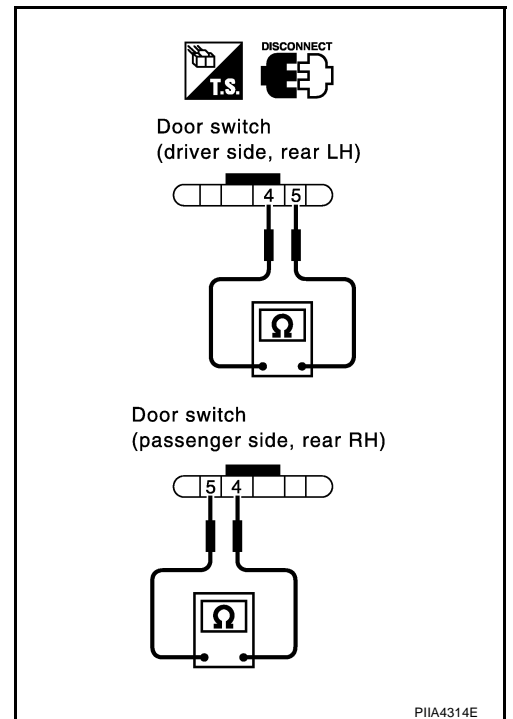
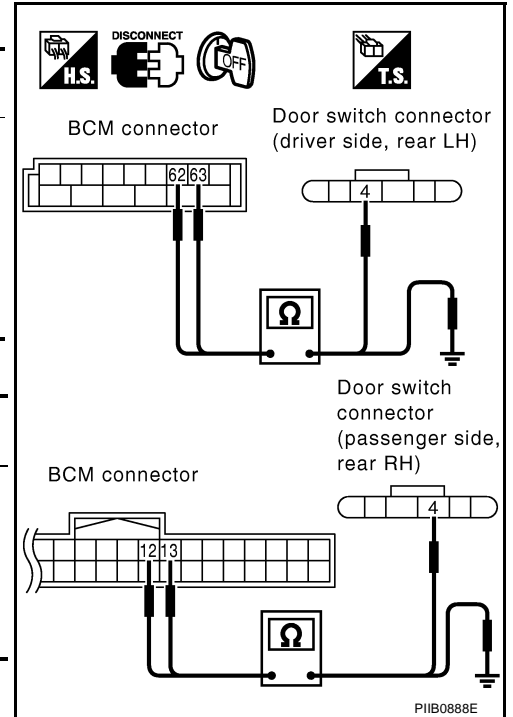
3. CHECK DOOR SWITCH

Check continuity between door switch terminals 4 and 5.

Terminal		Door switch condition	Continuity
4	5	Open position	Yes
		Closed position	No

OK or NG

- OK >> GO TO 4.
 NG >> Replace door switch.



POWER DOOR LOCK SYSTEM

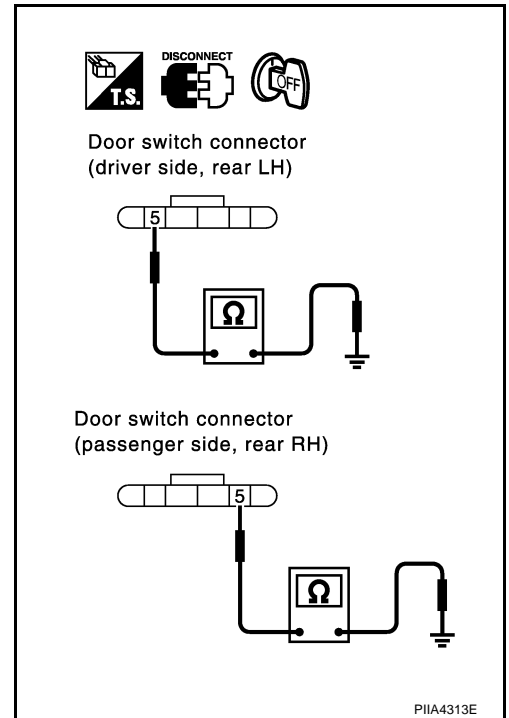
4. CHECK DOOR SWITCH GROUND HARNESS

Check continuity between door switch connectors and ground.

Door switch	Connector	Terminal		Continuity
Driver side	D10	5 (B)	Ground	Yes
Passenger side	D38			
Rear RH	D76			
Rear LH	D56	5 (G/Y)		

OK or NG

- OK >> Check harness connector.
- NG >> Repair or replace harness.



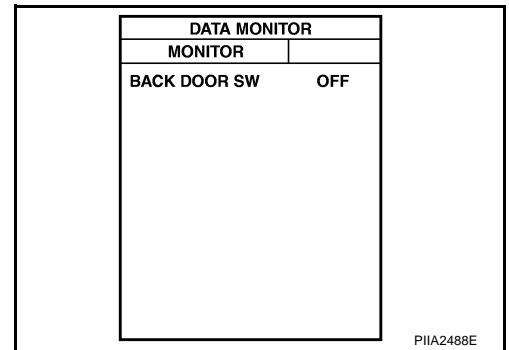
CHECK BACK DOOR SWITCH

1. CHECK BACK DOOR SWITCH INPUT SIGNAL

With CONSULT-II

Check back door switch ("BACK DOOR SW") in "DATA MONITOR" mode with CONSULT-II.

- When back door is open
BACK DOOR SW : ON
- When back door is closed
BACK DOOR SW : OFF



Without CONSULT-II

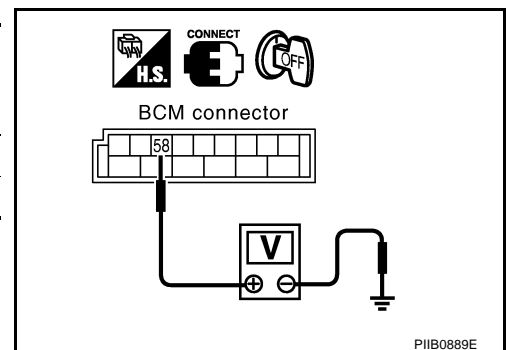
Check voltage between BCM connector and ground.

Item	Con- nector	Terminals (Wire color)		Condition	Voltage [V] (Approx.)
		(+)	(-)		
Back door switch	M36	58 (V/W)	Ground	OPEN	0
				CLOSE	Battery voltage*

*. When interior lamp battery saver control is OFF: Approx. 5V.

OK or NG

- OK >> Back door switch circuit is OK.
- NG >> GO TO 2.



POWER DOOR LOCK SYSTEM

2. CHECK BACK DOOR SWITCH HARNESS

1. Turn ignition switch OFF.
2. Disconnect BCM and back door lock assembly connectors.
3. Check continuity between BCM connector M36 terminal 58 and back door lock assembly connector D111 terminal 3.

58 (V/W) – 3 (V/W) : Continuity should exist.

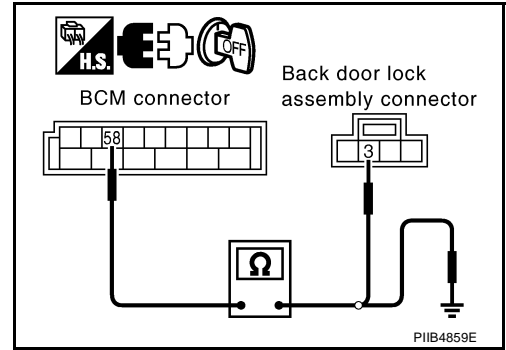
4. Check continuity between BCM connector M36 terminal 58 and ground.

58 (V/W) – Ground : Continuity should not exist.

OK or NG

OK >> GO TO 3.

NG >> Repair or replace harness.



3. CHECK BACK DOOR SWITCH

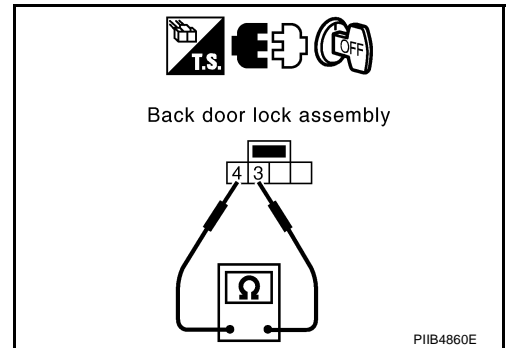
Check continuity between back door lock assembly terminals 3 and 4.

Terminal		Back door condition	Continuity
3	4	Open position	Yes
		Closed position	No

OK or NG

OK >> GO TO 4.

NG >> Replace back door switch.



4. CHECK BACK DOOR SWITCH GROUND HARNESS

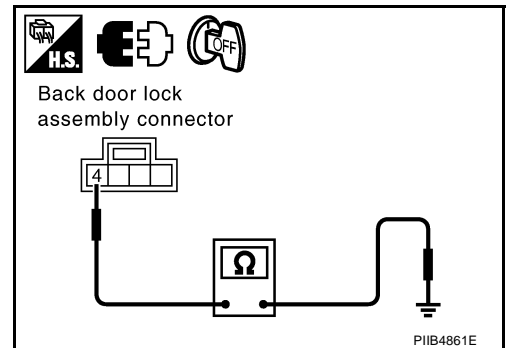
Check continuity between back door lock assembly connector D111 terminal 4 and ground.

4 (B) - Ground : Continuity should exist.

OK or NG

OK >> Check harness connection.

NG >> Repair or replace harness.



POWER DOOR LOCK SYSTEM

AIS003C6

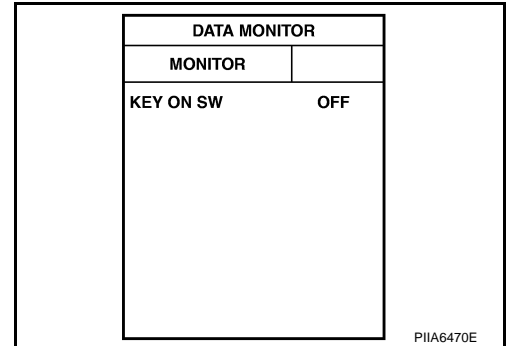
Check Key Switch

1. CHECK KEY SWITCH INPUT SIGNAL

With CONSULT-II

Check ignition key switch "IGN ON SW" in "DATA MONITOR" mode with CONSULT-II.

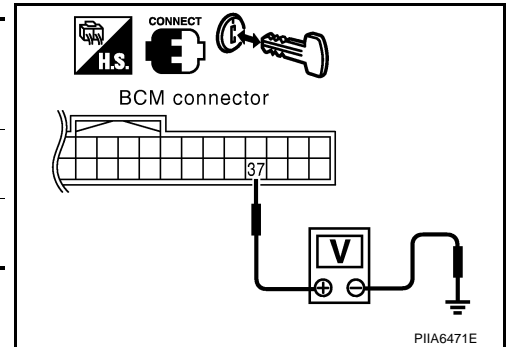
- When key is inserted in ignition key cylinder
KEY ON SW : ON
- When key is removed from ignition key cylinder
KEY ON SW : OFF



Without CONSULT-II

Check voltage between BCM connector and ground.

Connector	Terminal (Wire color)		Condition	Voltage [V] (Approx.)
	(+)	(-)		
M34	37 (B/R)	Ground	Key is removed from ignition key cylinder.	0
			Key is inserted in ignition key cylinder.	Battery voltage



OK or NG

- OK >> Key switch circuit is OK.
- NG >> GO TO 2. (with Intelligent Key system)
- NG >> GO TO 3. (without Intelligent Key system)

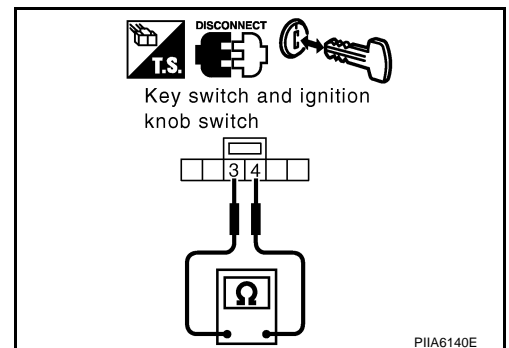
2. CHECK KEY SWITCH (WITH INTELLIGENT KEY SYSTEM)

- Turn ignition switch OFF.
- Disconnect key switch and ignition knob switch connector.
- Check continuity between key switch and ignition knob switch connector M118 terminals 3 and 4.

Terminal		Condition	Continuity
3	4		
		Key is removed from ignition key cylinder.	No
		Key is inserted in ignition key cylinder.	Yes

OK or NG

- OK >> Check the following
 - 10A fuse [No.22, located in the fuse block (J/B)]
 - Harness for open or short between key switch and ignition knob switch and fuse.
 - Harness for open short between BCM and key switch and ignition knob switch.
- NG >> Replace key switch and ignition knob switch.



POWER DOOR LOCK SYSTEM

3. CHECK KEY SWITCH (WITHOUT INTELLIGENT KEY SYSTEM)

1. Turn ignition switch OFF.
2. Disconnect key switch connector.
3. Check continuity between key switch connector M28 terminals 3 and 4.

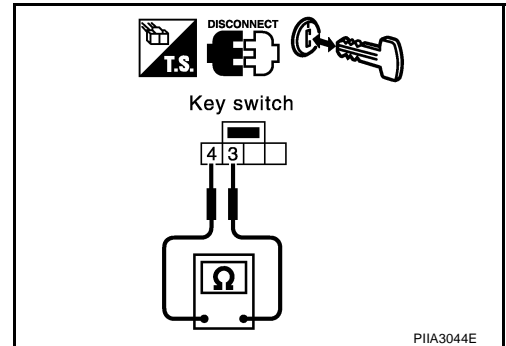
Terminal		Condition	Continuity
3	4	Key is removed from ignition key cylinder.	No
		Key is inserted in ignition key cylinder.	Yes

OK or NG

OK >> Check the following

- 10A fuse [No.21, located in the fuse block (J/B)]
- Harness for open or short between key switch and fuse.
- Harness for open short between BCM and key switch.

NG >> Replace key switch.



POWER DOOR LOCK SYSTEM

AIS002F9

Check Door Lock and Unlock Switch

1. CHECK POWER WINDOW OPERATION

Does power window system operate normally?

OK or NG

OK >> GO TO 2.

NG >> Refer to [GW-17, "POWER WINDOW SYSTEM"](#) .

2. CHECK DOOR LOCK AND UNLOCK SWITCH INPUT SIGNAL

① With CONSULT-II

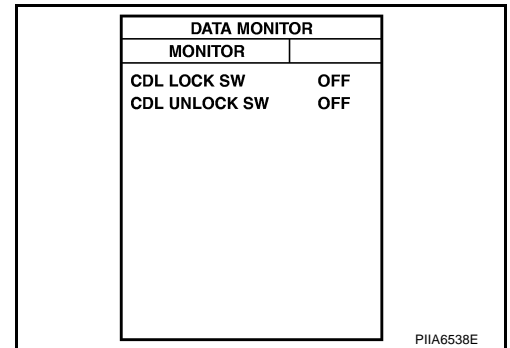
Check door lock and unlock switch ("LOCK SW DR/AS" and "UNLK SW DR/AS") in DATA MONITOR mode with CONSULT-II.

- When door lock and unlock switch is turned to "LOCK":

CDL LOCK SW : ON

- When door lock and unlock switch is turned to "UNLOCK":

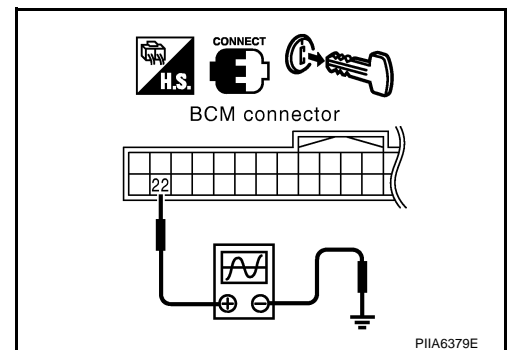
CDL UNLOCK SW : ON



⊗ Without CONSULT-II

- Remove key from ignition key cylinder.
- Check the signal between BCM connector M34 terminal 22 and ground when door lock and unlock switch is turned "LOCK" or "UNLOCK".
- Make sure signals which are shown in the figure below can be detected during 10 second just after door lock and unlock switch is turned "LOCK" or "UNLOCK".

Connector	Terminal		Signal (Reference value)
	(+)	(-)	
M34	22 (BR/W)	Ground	<p>PIIA1297E</p>



OK or NG

OK >> Door lock and unlock switch circuit is OK.

NG >> GO TO 3.

POWER DOOR LOCK SYSTEM

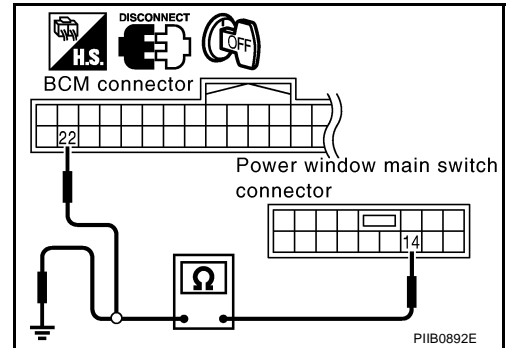
3. CHECK POWER WINDOW SERIAL LINK CIRCUIT

1. Disconnect BCM, power window main switch and front power window switch (passenger side) connectors.
2. Check continuity between BCM connector M34 terminal 22 and power window main switch (door lock and unlock switch) connector D6 terminal 14.

22 (BR/W) – 14 (BR/W) : Continuity should exist.

3. Check continuity between power window main switch connector D6 terminal 14 and ground.

14 (BR/W) – Ground : Continuity should not exist.

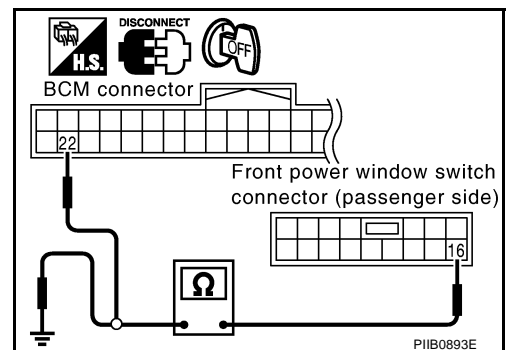


4. Check continuity between BCM connector M34 terminal 22 and front power window switch (passenger side) connector D35 terminal 16.

22 (BR/W) – 16 (BR/W) : Continuity should exist.

5. Check continuity between front power window switch (passenger side) connector D35 terminal 16 and ground.

16 (BR/W) – Ground : Continuity should not exist.



OK or NG

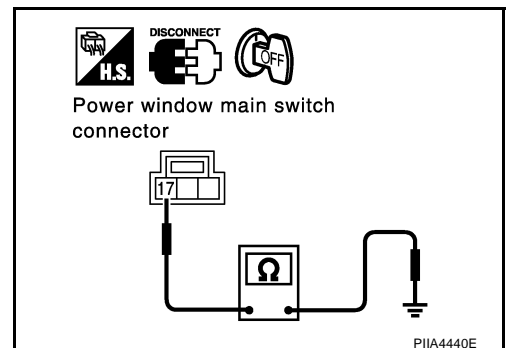
OK >> GO TO 4.

NG >> Repair or replace harness.

4. CHECK DOOR LOCK AND UNLOCK SWITCH GROUND HARNESS

1. Check continuity between power window main switch (door lock and unlock switch) connector D7 terminal 17 and ground.

17 (B) – Ground : Continuity should exist.



2. Check continuity between front power window switch (passenger side) connector D35 terminal 11 and ground.

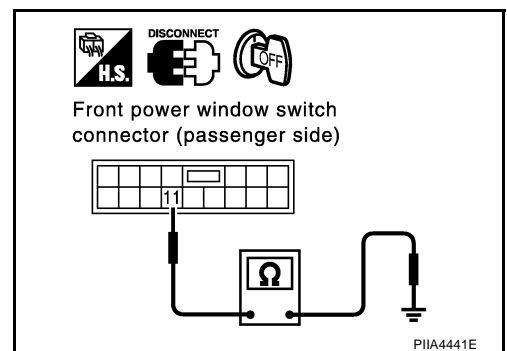
11 (B) – Ground : Continuity should exist.

OK or NG

OK >> Check harness connection.

- If harness connection is OK, replace power window main switch or front power window switch (passenger side).
- If harness connection is NG, repair or replace malfunction part of harness connection.

NG >> Repair or replace harness.



POWER DOOR LOCK SYSTEM

Check Door Lock Actuator (Driver Side)

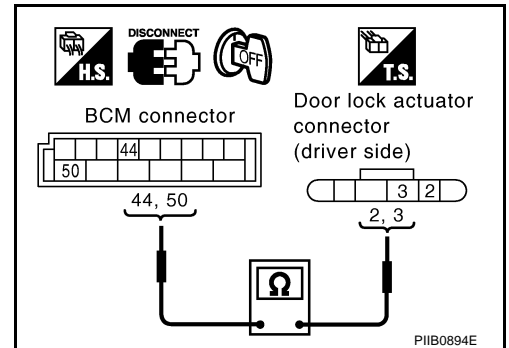
AIS002FA

1. CHECK DOOR LOCK ACTUATOR HARNESS

1. Turn ignition switch OFF.
2. Disconnect BCM and door lock actuator (driver side) connector.
3. Check continuity between BCM connector M35 terminals 44, 50 and door lock actuator (driver side) connector D10 terminals 2, 3.

44 (G/W) – 2 (G/W) : Continuity should exist.

50 (V) – 3 (V) : Continuity should exist.



OK or NG

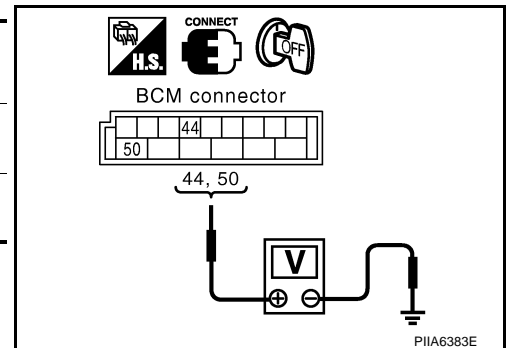
OK >> GO TO 2.

NG >> Repair or replace harness.

2. CHECK OUTPUT SIGNAL

1. Connect BCM connector.
2. Check voltage between BCM connector M35 terminals 44, 50 and ground.

Con- nector	Terminal		Condition	Voltage [V] (Approx.)
	(+)	(-)		
M35	44 (G/W)	Ground	Driver door lock and unlock switch is turned to UNLOCK.	0 → Battery voltage → 0
	50 (V)		Driver door lock and unlock switch is turned to LOCK.	0 → Battery voltage → 0



OK or NG

OK >> Replace front door lock assembly (driver side).

NG >> Replace BCM.

POWER DOOR LOCK SYSTEM

Check Door Lock Actuator (Passenger Side and Rear LH/RH)

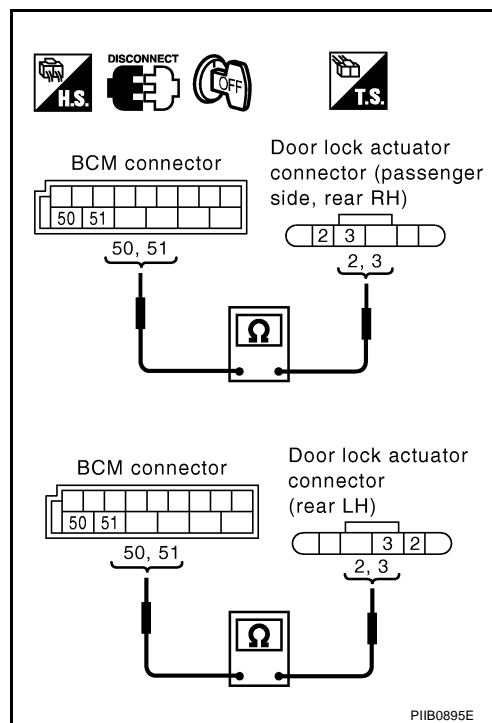
AIS002FB

1. CHECK DOOR LOCK ACTUATOR HARNESS

1. Turn ignition switch OFF.
2. Disconnect BCM and all door lock actuator connectors.
3. Check continuity between BCM connector M35 terminals 50, 51 and front door lock actuator passenger side, rear door lock actuator LH/RH connector D38, D56, D76 terminals 2, 3.

50 (V) – 3 (V or R/W) : Continuity should exist.

51 (G/Y) – 2 (G/Y or B) : Continuity should exist.



OK or NG

- OK >> Replace door lock assembly (door lock actuator).
- NG >> Repair or replace harness.

POWER DOOR LOCK SYSTEM

Check Door Key Cylinder Switch / Without Intelligent Key System

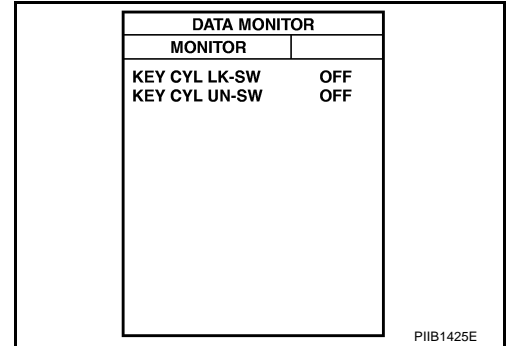
AIS002FD

1. CHECK DOOR KEY CYLINDER SWITCH INPUT SIGNAL

With CONSULT-II

Check door key cylinder switch ("KEY CYL LK-SW", "KEY CYL UN-SW") in "DATA MONITOR" mode with CONSULT-II.

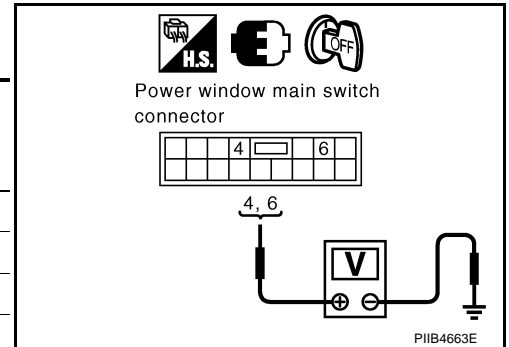
- When key cylinder switch is turn to "LOCK"
KEY CYL LK-SW : ON
- When key cylinder switch is turn to "UNLOCK"
KEY CYL UN-SW : ON



Without CONSULT-II

Check voltage between power window main switch (door lock and unlock switch) connector and ground.

Connector	Terminal (Wire color)		Door key cylinder switch position	Voltage [V] (Approx.)
	(+)	(-)		
D6	4 (L)	Ground	Neutral / Unlock	5
			Lock	0
	6 (R)		Neutral / Lock	5
			Unlock	0



OK or NG

- OK >> Door key cylinder switch circuit is OK.
- NG >> GO TO 2.

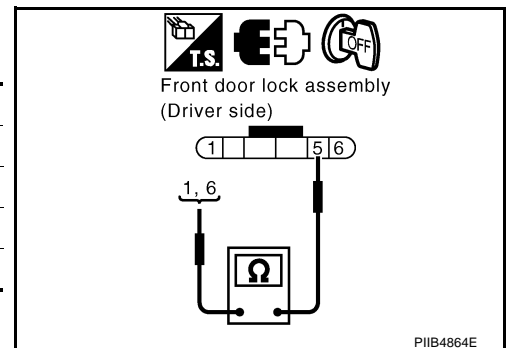
2. CHECK DOOR KEY CYLINDER SWITCH

- Turn ignition switch OFF.
- Disconnect front door lock assembly (driver side) connector.
- Check continuity between front door lock assembly terminals 1, 6 and 5.

Terminal	Door key cylinder switch position	Continuity
1	Neutral / Unlock	No
	Lock	Yes
6	Neutral / Lock	No
	Unlock	Yes

OK or NG

- OK >> Check the following.
 - Harness for open or short between power window main switch (door lock and unlock switch) and front door lock assembly (driver side).
 - Front door lock assembly (driver side) ground circuit.
- NG >> Replace front door lock assembly (driver side).



POWER DOOR LOCK SYSTEM

Check Door Key Cylinder Switch / With Intelligent Key System

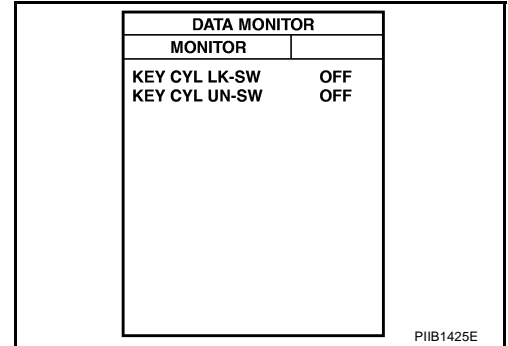
AIS002FE

1. CHECK DOOR KEY CYLINDER SWITCH INPUT SIGNAL

With CONSULT-II

Check door key cylinder switch ("KEY CYL LK-SW", "KEY CYL UN-SW") in "DATA MONITOR" mode with CONSULT-II.

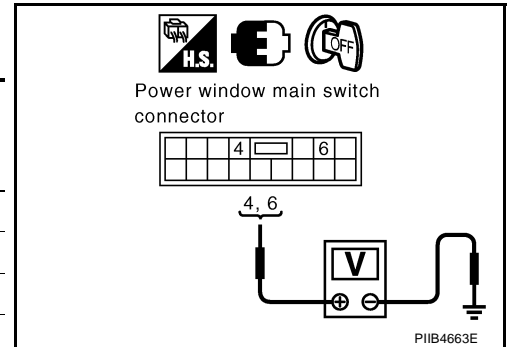
- When key cylinder switch is turn to "LOCK"
KEY CYL LK-SW : ON
- When key cylinder switch is turn to "UNLOCK"
KEY CYL UN-SW : ON



Without CONSULT-II

Check voltage between main power window (door lock and unlock switch) connector and ground.

Connector	Terminal (Wire color)		Door key cylinder switch position	Voltage [V] (Approx.)
	(+)	(-)		
D6	6 (R)	Ground	Neutral / Lock	5
			Unlock	0
	4 (L)		Neutral / Unlock	5
			Lock	0



OK or NG

- OK >> Door key cylinder switch (unlock) circuit is OK.
- NG >> GO TO 2.

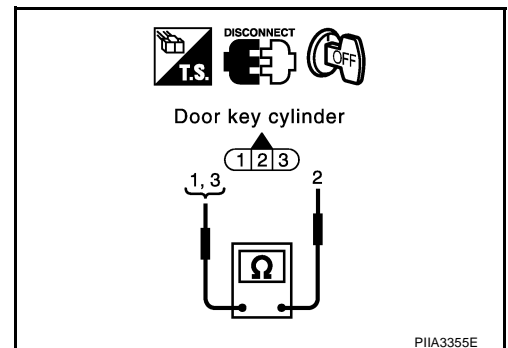
2. CHECK FRONT DOOR KEY CYLINDER SWITCH

- Turn ignition switch OFF.
- Disconnect door key cylinder switch connector.
- Check continuity between door key cylinder switch terminals 1, 3 and 2.

Terminal	Door key cylinder switch position	Continuity
3	Neutral/Lock	No
	Unlock	Yes
1	Neutral/Unlock	No
	Lock	Yes

OK or NG

- OK >> Check the following.
 - Harness for open or short between power window main switch (door lock and unlock switch) and door key cylinder switch
 - Door key cylinder switch ground circuit
- NG >> Replace front door lock assembly (driver side).



POWER DOOR LOCK SYSTEM

Check Select Unlock Relay Circuit

AIS006E1

1. CHECK PASSENGER SIDE SELECT UNLOCK RELAY CIRCUIT 1

1. Turn ignition switch OFF.
2. Disconnect BCM and passenger side select unlock relay connector.
3. Check continuity between BCM connector M35 terminal 50 and passenger side select unlock relay connector M123 terminal 3.

50 (V) – 3 (V) : Continuity should exist.

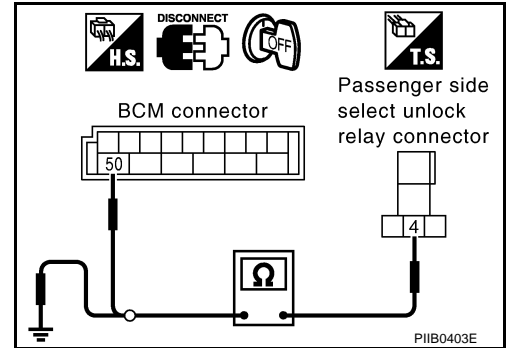
4. Check continuity between BCM connector M35 terminal 50 and ground.

50 (V) – Ground : Continuity should not exist.

OK or NG

OK >> GO TO 2.

NG >> Repair or replace harness.



2. CHECK PASSENGER SIDE SELECT UNLOCK RELAY CIRCUIT 2

1. Disconnect rear door lock actuator assembly LH connector.
2. Check continuity between passenger select unlock relay connector M123 terminal 4 and rear door lock actuator assembly connector D56 terminal 3.

4 (L) – 3 (R/W) : Continuity should exist.

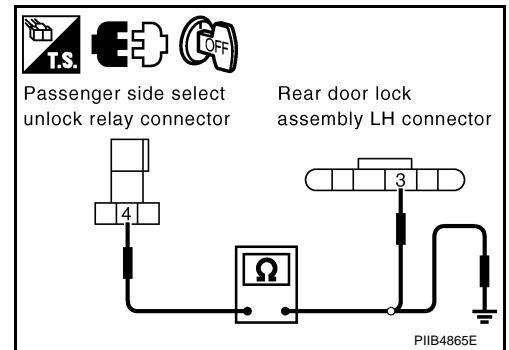
3. Check continuity between passenger select unlock relay connector M123 terminal 4 and ground.

4 (L) – Ground : Continuity should not exist.

OK or NG

OK >> Refer to [BL-162. "Check Select Unlock Relay"](#)

NG >> Repair or replace harness.



Check Fuel Lid Lock Actuator

AIS003C9

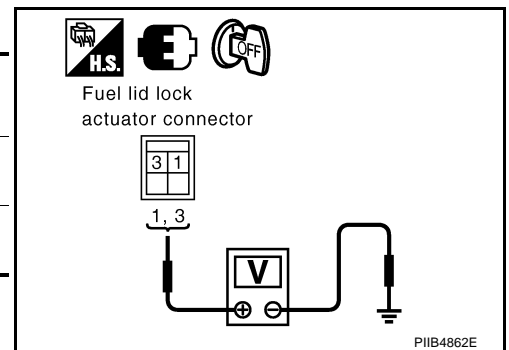
1. CHECK FUEL LID LOCK ACTUATOR POWER SUPPLY

Check voltage between fuel lid lock actuator connector and ground.

Con- nector	Terminal		Condition	Voltage [V] (Approx.)
	(+)	(-)		
B23	1 (V)	Ground	Door lock and unlock switch is turned to "UNLOCK".	0 → Battery voltage → 0
	3 (G/W)		Door lock and unlock switch is turned to "LOCK".	0 → Battery voltage → 0

OK >> Replace fuel lid lock actuator.

NG >> GO TO 2.



POWER DOOR LOCK SYSTEM

2. CHECK FUEL LID LOCK ACTUATOR CIRCUIT

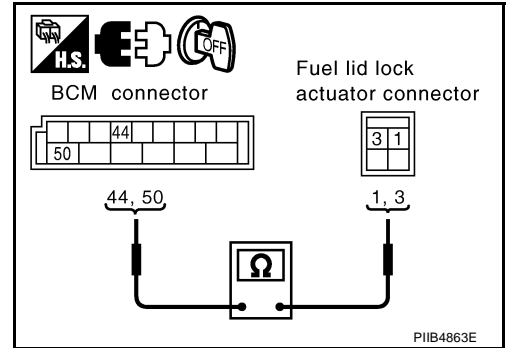
1. Turn ignition switch OFF.
2. Disconnect BCM and fuel lid lock actuator connector.
3. Check continuity between BCM connector M35 terminal 44, 50 and fuel lid lock actuator connector B23 terminal 1, 3.

44 (G/W) – 3 (G/W) : Continuity should exist.

50 (V) – 1 (V) : Continuity should exist.

OK >> Check the condition of harness and connector.

NG >> Repair or replace harness.



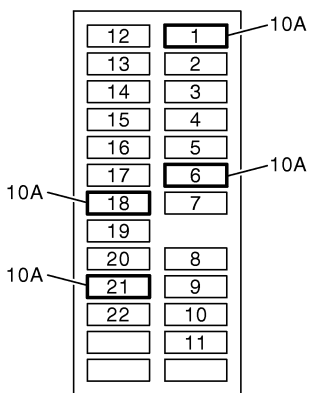
REMOTE KEYLESS ENTRY SYSTEM

PF28596

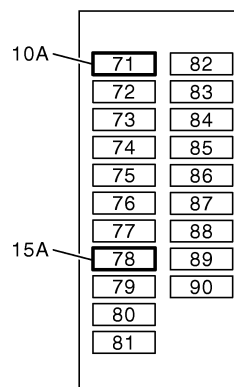
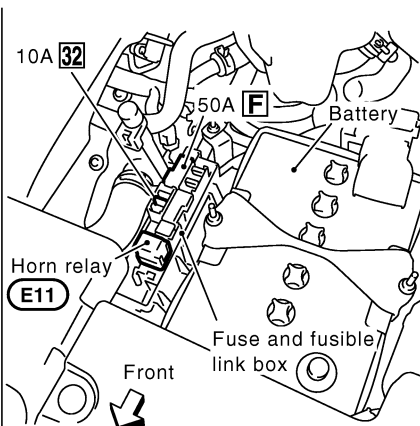
AIS002FF

REMOTE KEYLESS ENTRY SYSTEM

Component Parts and Harness Connector Location

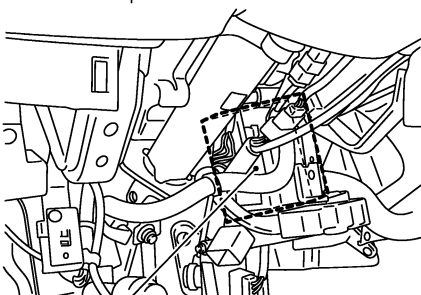


Fuse block (J/B) fuse layout



IPDM E/R fuse layout

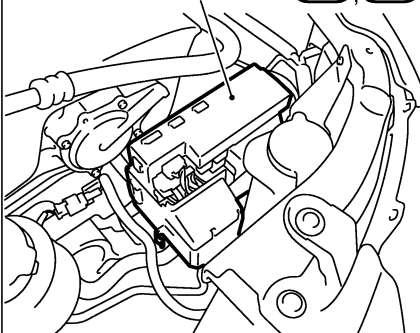
View with the instrument lower driver panel removed



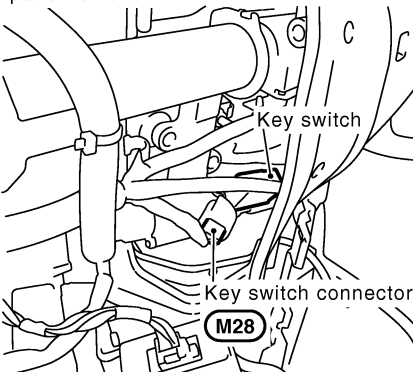
BCM (Body control module)

M34, M35, M36

IPDM E/R E8, E9



View with the instrument lower driver panel removed

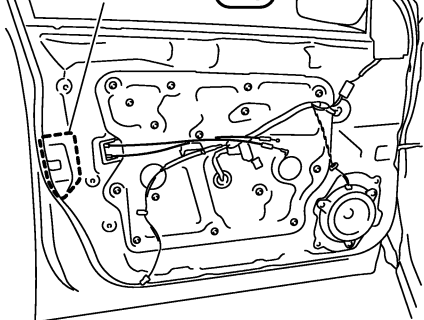


Key switch

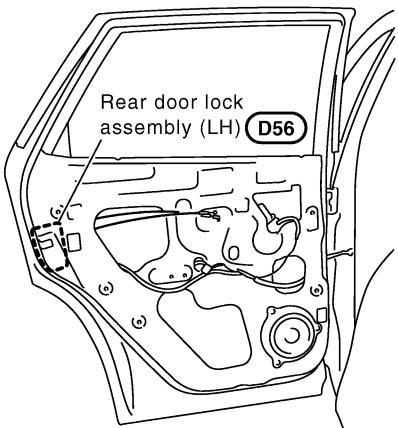
Key switch connector

M28

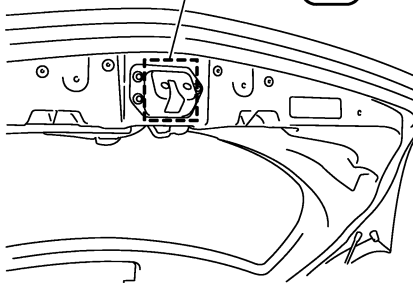
Front door lock assembly (Driver side) D10



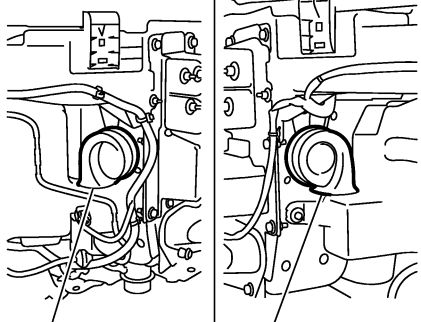
Rear door lock assembly (LH) D56



Back door lock assembly (Door switch) D111



View with the front bumper fascia removed



Horn (High) E34

Horn (Low) E14

PIIB4526E

REMOTE KEYLESS ENTRY SYSTEM

AIS003KF

System Description

INPUTS

Power is supplied at all times

- to BCM terminal 55
- through 50A fusible link (letter **F** , located in the fuse and fusible link box).
- to BCM terminal 42
- through 10A fuse [No. 18, located in the fuse block (J/B)].
- to key switch terminal 3
- through 10A fuse [No. 21, located in the fuse block (J/B)].

When key switch is ON (key is inserted in ignition key cylinder), power is supplied

- to BCM terminal 37
- through key switch terminal 4.

When ignition switch is ACC or ON, power is supplied

- to BCM terminal 11
- through 10A fuse [No. 6, located in the fuse block (J/B)].

When ignition switch is ON or START, power is supplied

- to BCM terminal 38
- through 10A fuse [No. 1, located in the fuse block (J/B)].

Ground is supplied

- to BCM terminal 52
- through body grounds E13, E26 and M28.

When front door switch (driver side) is ON (door is OPEN), ground is supplied

- to BCM terminal 62
- through front door switch (driver side) terminals 4 and 5
- through body grounds M14 and M78.

When front door switch (passenger side) is ON (door is OPEN), ground is supplied

- to BCM terminal 12
- through front door switch (passenger side) terminals 4 and 5
- through body grounds M14 and M78.

When rear door switch LH is ON (door is OPEN), ground is supplied

- to BCM terminal 63
- through rear door switch LH terminals 4 and 5
- through body grounds B7 and B20.

When rear door switch RH is ON (door is OPEN), ground is supplied

- to BCM terminal 13
- through rear door switch RH terminals 4 and 5
- through body grounds B105 and B116.

When back door switch is ON (back door OPEN), ground is supplied

- to BCM terminal 58
- through back door switch terminals 3 and 4
- through body grounds B7 and B20.

Key fob signal is inputted to BCM (the antenna of remote keyless entry system is combined with BCM). The remote keyless entry system controls operation of the

- power door lock
- hazard and horn reminder
- auto door lock
- room lamp and ignition keyhole illumination
- panic alarm
- keyless power window down (open)

REMOTE KEYLESS ENTRY SYSTEM

OPERATED PROCEDURE

Power Door Lock Operation

BCM locks all doors with receiving LOCK signal from key fob.
 When an UNLOCK signal is sent from key fob once, driver's door will be unlocked.
 Then, if an UNLOCK signal is sent from key fob again within 5 seconds, all other door will be unlocked.

Hazard and Horn Reminder

Power is supplied at all times

- to horn relay terminal 2
- through 10A fuse (No. 32, located in the fuse and fusible link box).

When BCM receives LOCK or UNLOCK signal from key fob with all doors closed, BCM sends horn chirp signal to IPDM E/R.

IPDM E/R grounds horn relay

- to horn relay terminal 1
- through IPDM E/R terminal 51, and
- to BCM terminals 45 and 46 from hazard warning lamp system

Horn relay is now energized, and hazard warning lamp flashes and horn sounds as a reminder.
 The hazard and horn reminder has C mode (horn chirp mode) and S mode (non-horn chirp mode).

Operating function of hazard and horn reminder

	C mode		S mode	
	Lock	Unlock	Lock	Unlock
Remote controller operation	Lock	Unlock	Lock	Unlock
Hazard warning lamp flash	Twice	Once	Twice	—
Horn sound	Once	—	—	—

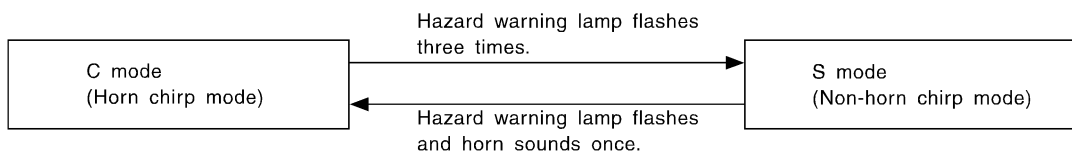
How to change hazard and horn reminder mode

④ With CONSULT-II

Hazard and horn reminder can be changed using "MULTI ANSWER BACK SET" mode in "WORK SUPPORT".
 Refer to [BL-71, "Work Support"](#).

⊗ Without CONSULT-II

When LOCK and UNLOCK signals are sent from the key fob for more than 2 seconds at the same time, the hazard and horn reminder mode is changed and hazard warning lamp flashes and horn sounds as follows:



SEL153WA

Auto Door Lock Operation

Auto lock function signal is sent for operation when any of the following signals are not sent within 1 minute after the unlock signal is sent from the key fob:

- when door switch is turned ON for open.
- when the key switch is turned ON.
- when the lock signal is sent from the key fob.

Auto door lock mode can be changed using "AUTO LOCK SET" mode in "WORK SUPPORT".
 Refer to [BL-71, "Work Support"](#).

REMOTE KEYLESS ENTRY SYSTEM

Room Lamp and Keyhole Illumination Operation

When the following conditions come:

- condition of room lamp switch is DOOR position;
- door switch OFF (when all the doors are closed);

Remote keyless entry system turns on room lamp and key ring illumination (for 30 seconds) with input of UNLOCK signal from key fob.

For detailed description, refer to [LT-175, "INTERIOR ROOM LAMP"](#) .

Panic Alarm Operation

When key switch is OFF (when ignition key is not inserted in ignition key cylinder), BCM turns on and off horn and headlamp intermittently with input of PANIC ALARM signal from key fob.

The alarm automatically turns off after 25 seconds or when BCM receives any signal from key fob.

Panic alarm operation mode can be changed using "PANIC ALARM SET" mode in "WORK SUPPORT".

Refer to [BL-71, "Work Support"](#) .

For detailed description, refer to [BL-205, "VEHICLE SECURITY \(THEFT WARNING\) SYSTEM"](#) .

Keyless Power Window Down (Open) Operation

When key fob unlock switch is turned ON with ignition switch OFF, and key fob unlock switch is detected to be on continuously for 3 seconds, the driver's door and passenger's door power windows are simultaneously opened.

Power window is operated to open and the operation continues as long as the key fob unlock switch is pressed.

Keyless power window down operation mode can be changed using "PW DOWN SET" mode in "WORK SUPPORT".

Refer to [BL-71, "Work Support"](#) .

REMOTE KEYLESS ENTRY SYSTEM

CAN Communication System Description

AIS003CO

CAN (Controller Area Network) is a serial communication line for real time application. It is an on-vehicle multiplex communication line with high data communication speed and excellent error detection ability. Many electronic control units are equipped onto a vehicle, and each control unit shares information and links with other control units during operation (not independent). In CAN communication, control units are connected with 2 communication lines (CAN H line, CAN L line) allowing a high rate of information transmission with less wiring. Each control unit transmits/receives data but selectively reads required data only.

CAN Communication Unit

AIS003KD

Refer to [LAN-29, "CAN COMMUNICATION"](#) .

A

B

C

D

E

F

G

H

BL

J

K

L

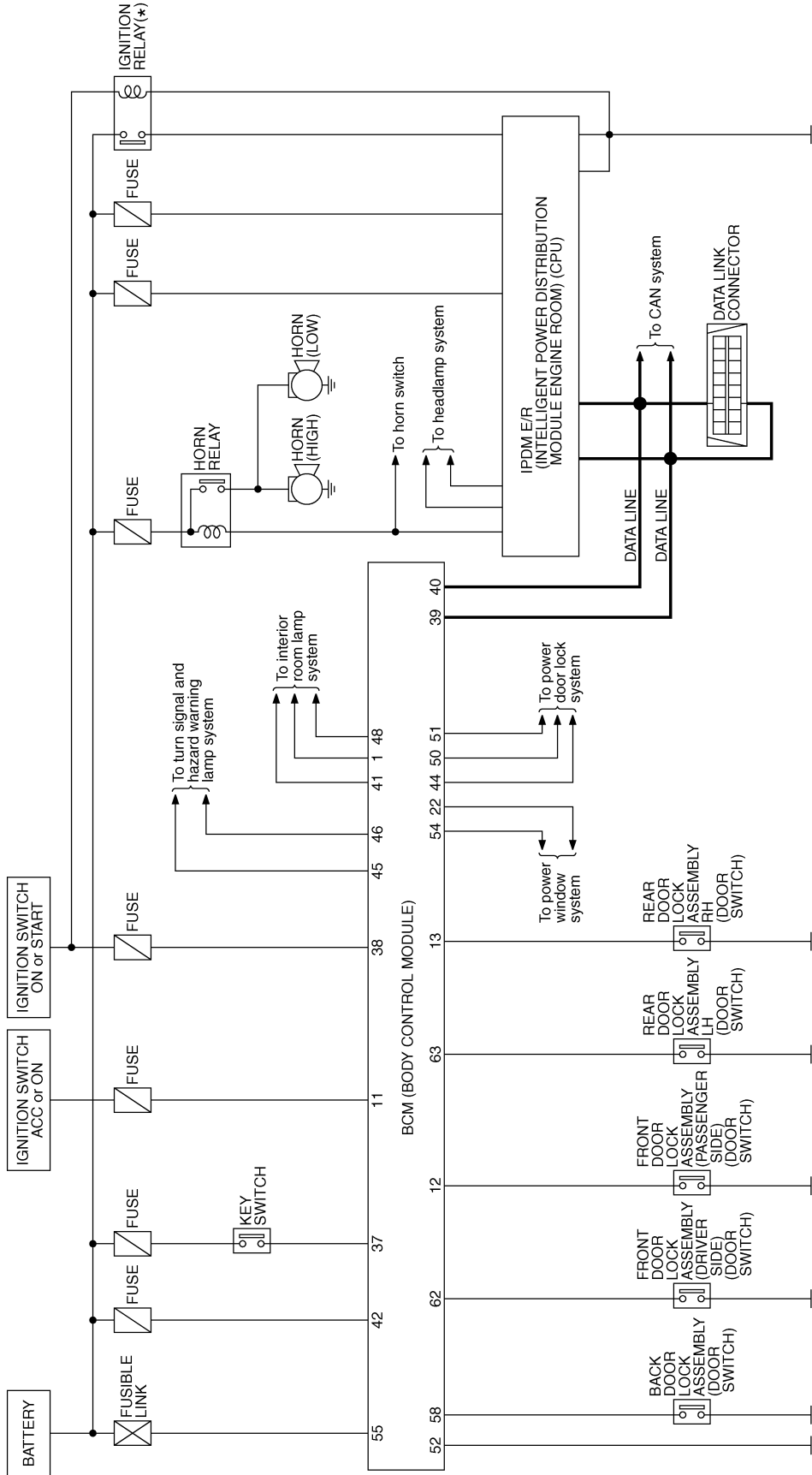
M

REMOTE KEYLESS ENTRY SYSTEM

Schematic

AI5002FI

* : This relay is built into the IPDM E/R
(Intelligent power distribution module engine room)

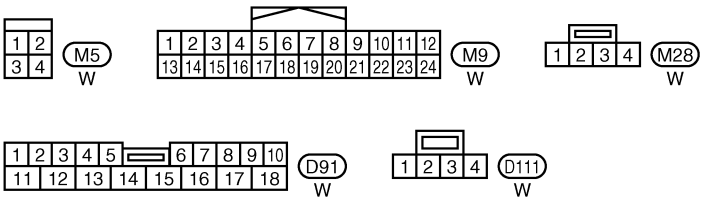
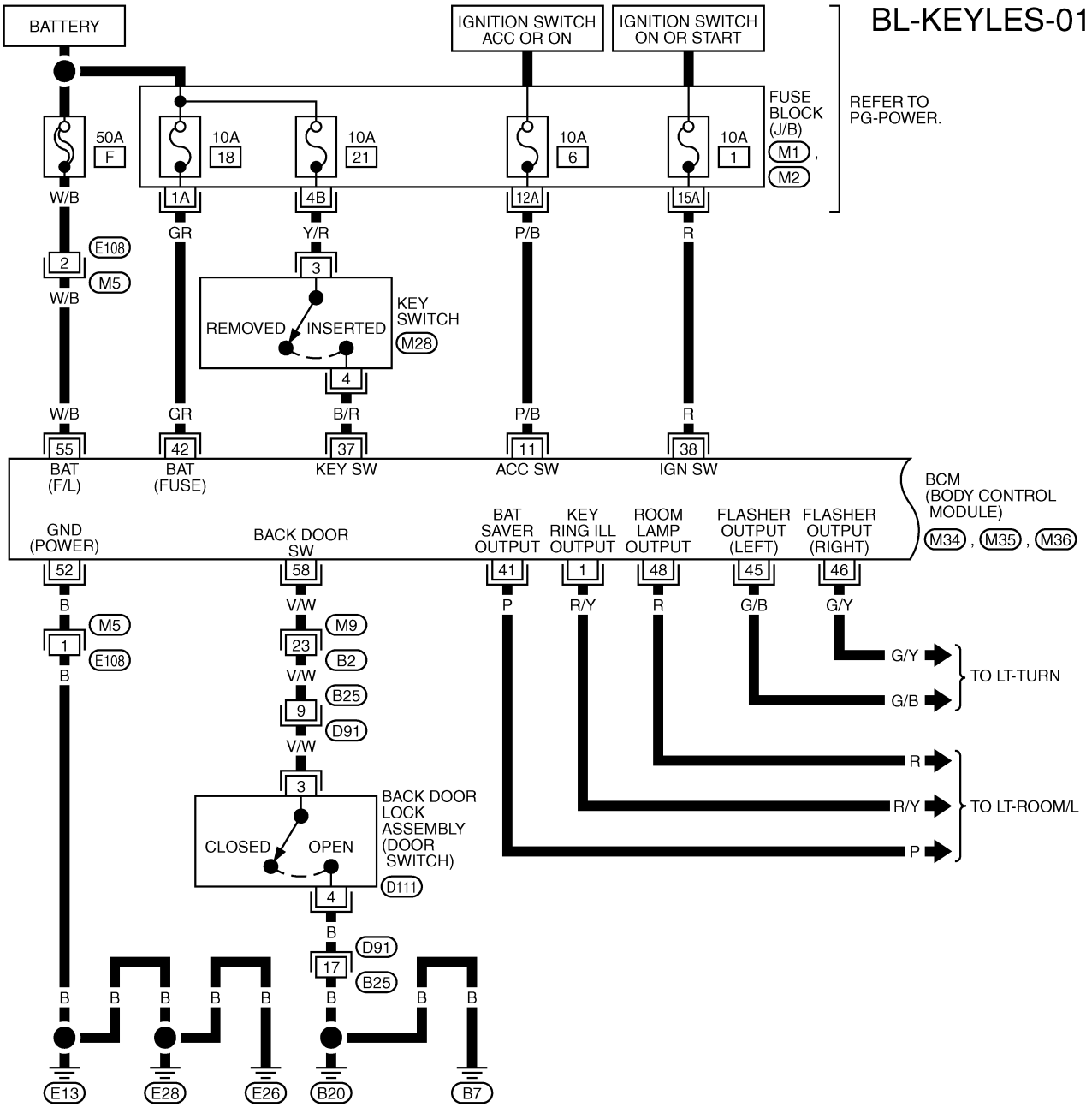


TIWB0143E

REMOTE KEYLESS ENTRY SYSTEM

AIS002FJ

Wiring Diagram — KEYLES—
FIG. 1



REFER TO THE FOLLOWING.
 (M1), (M2) - FUSE BLOCK-JUNCTION BOX (J/B)
 (M34), (M35), (M36) - ELECTRICAL UNITS

A
B
C
D
E
F
G
H
J
K
L
M

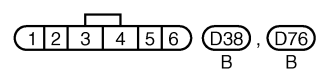
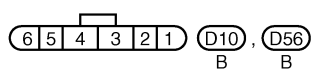
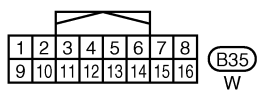
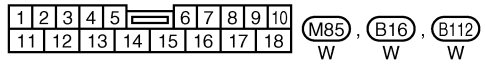
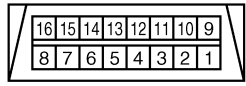
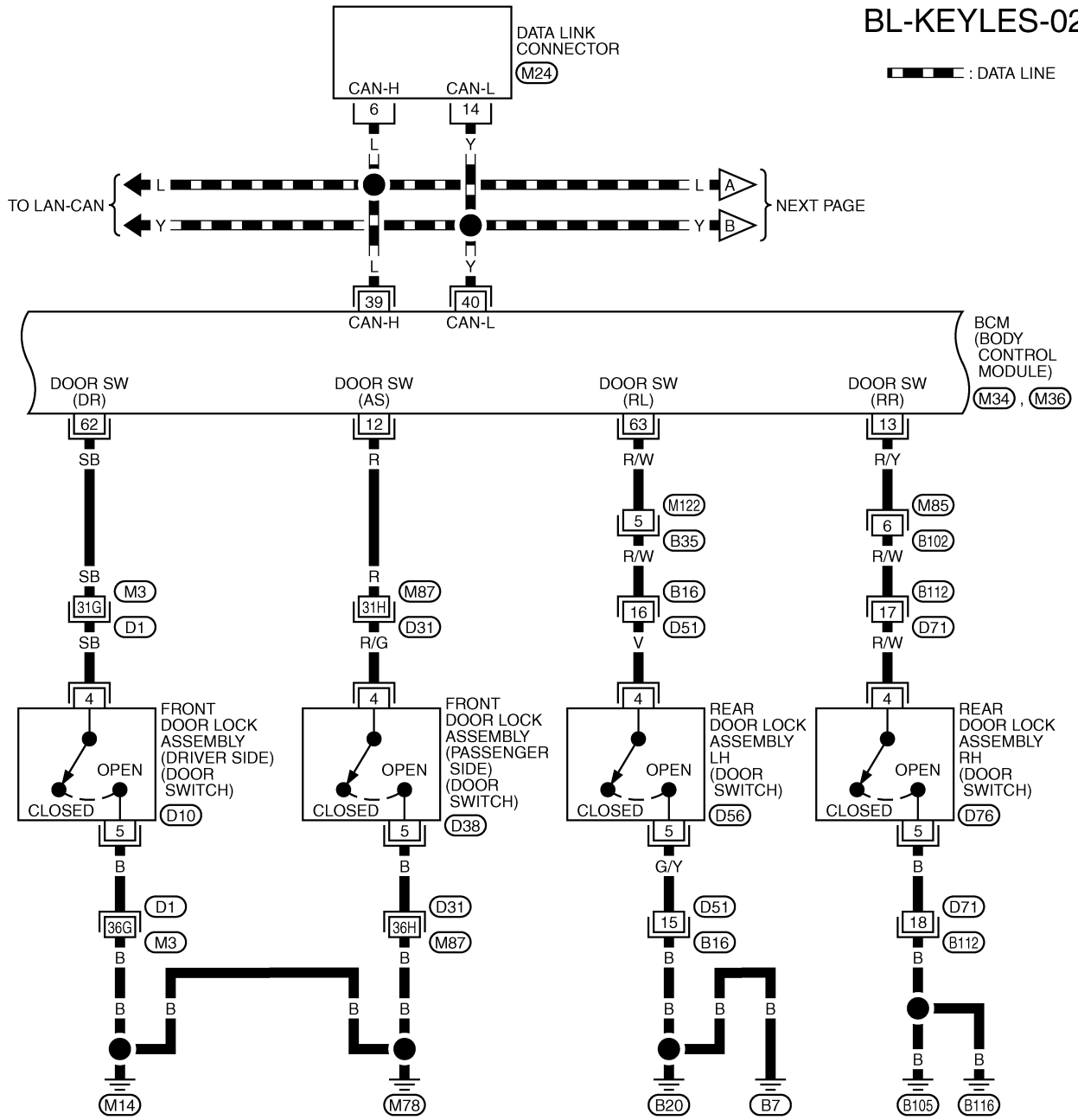
BL

REMOTE KEYLESS ENTRY SYSTEM

FIG. 2

BL-KEYLES-02

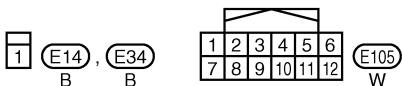
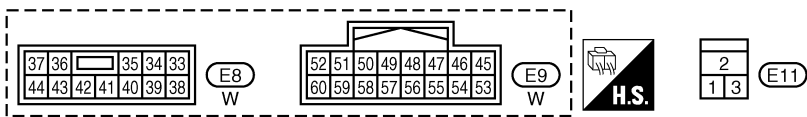
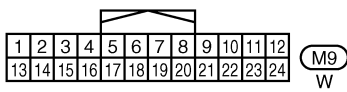
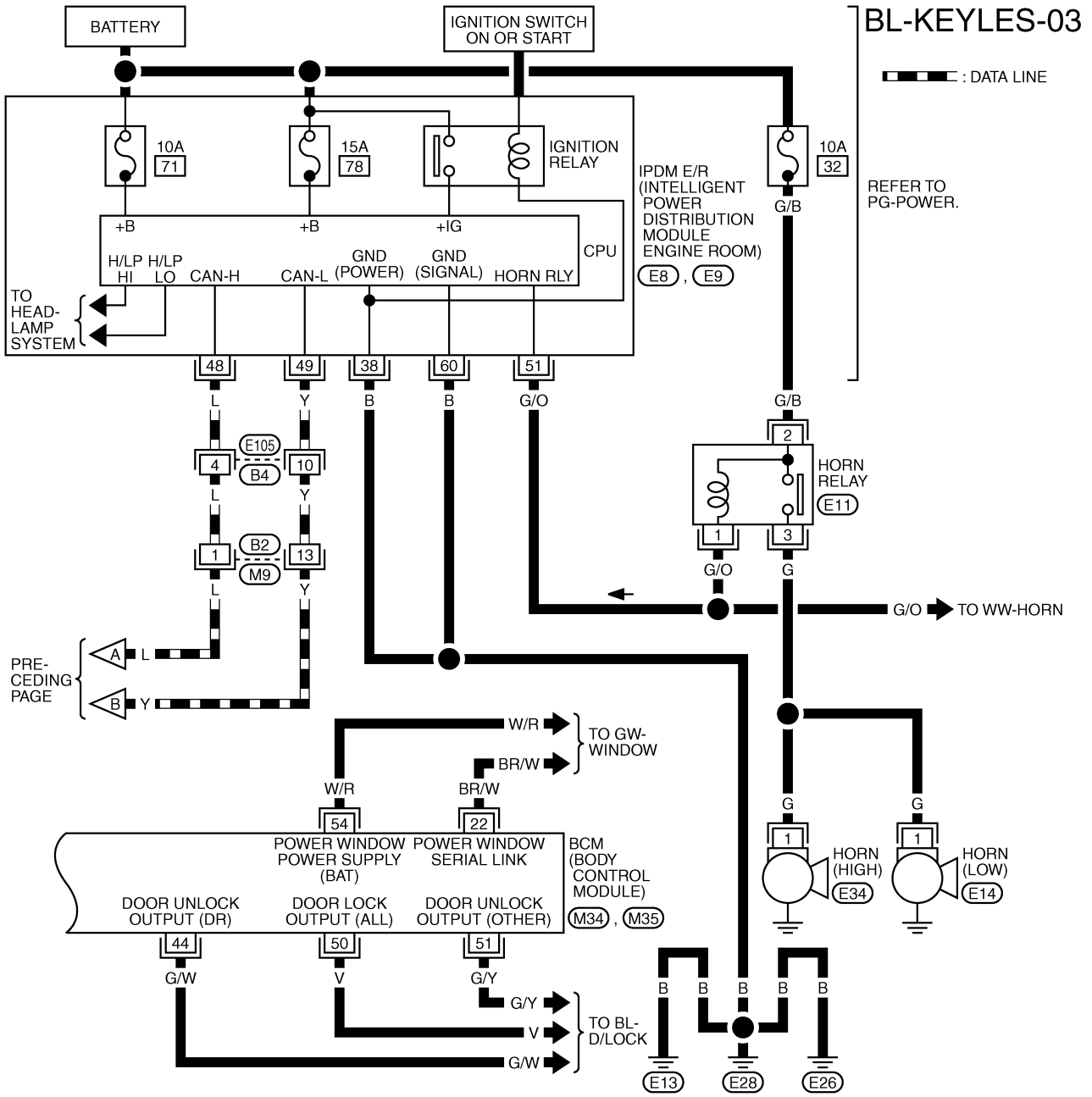
— — — — : DATA LINE



REFER TO THE FOLLOWING.
 (D1), (D31) -SUPER MULTIPLE JUNCTION (SMJ)
 (M34), (M36) -ELECTRICAL UNITS

REMOTE KEYLESS ENTRY SYSTEM

FIG. 3



REFER TO THE FOLLOWING.
 (M34), (M35) -ELECTRICAL
 UNITS

A
 B
 C
 D
 E
 F
 G
 H
 I
 J
 K
 L
 M

BL

REMOTE KEYLESS ENTRY SYSTEM

Terminals and Reference Value for BCM

AIS002NO

TERMINAL	WIRE COLOR	ITEM	CONDITION	VOLTAGE [V] (Approx.)
1	R/Y	Key ring illumination output signal	Key ring illumination is lighting.	Battery voltage
			Key ring illumination is being turned off.	0
11	P/B	Ignition switch (ACC)	Ignition switch is in ACC position	Battery voltage
12	R	Front door switch signal (passenger side)	ON (Door is opened) → OFF (Door is closed)	0 → Battery voltage
13	R/Y	Rear door switch RH	ON (Door is opened) → OFF (Door is closed)	0 → Battery voltage
37	B/R	Key switch input signal	Key switch ON (key is inserted in ignition key cylinder)	Battery voltage
			Key switch OFF (key is removed from ignition key cylinder)	0
38	R	Ignition switch (ON)	Ignition switch is in ON position	Battery voltage
39	L	CAN-H	—	—
40	Y	CAN-L	—	—
41	P	Battery saver output signal	30 minutes after ignition switch is turned off	0
			Ignition switch is in ON position	Battery voltage
42	GR	Power source (fuse)	—	Battery voltage
45	G/B	Left turn signal lamp	When door lock or unlock is operated using key fob.*1 (ON→ OFF)	Battery voltage → 0
46	G/Y	Right turn signal lamp	When door lock or unlock is operated using key fob.*1 (ON→ OFF)	Battery voltage → 0
48	R	Room lamp output signal	Room lamp is lighting.*2	0
			Room lamp is being turned off.*2	Battery voltage
52	B	Ground	—	0
55	W/B	Power source (Fusible link)	—	Battery voltage
58	V/W	Back door switch signal	ON (Back door is opened) → OFF (Back door is closed)	0 → Battery voltage
62	SB	Front door switch signal (driver side)	ON (Door is opened) → OFF (Door is closed)	0 → Battery voltage
63	R/W	Rear door switch LH	ON (Door is opened) → OFF (Door is closed)	0 → Battery voltage

*1 : In the state that hazard reminder operates.

*2 : In the state that room lamp switch is in "DOOR" position.

Terminals and Reference Value for IPDM E/R

AIS002FL

TERMINAL	WIRE COLOR	ITEM	CONDITION	VOLTAGE [V] (Approx.)
38	B	Ground	—	0
48	L	CAN – H	—	—
49	Y	CAN – L	—	—

REMOTE KEYLESS ENTRY SYSTEM

TERMINAL	WIRE COLOR	ITEM	CONDITION	VOLTAGE [V] (Approx.)
51	G/O	Horn relay	When door lock or panic alarm are operated using key fob* (ON → OFF)	0 → Battery voltage
60	B	Ground	—	0

*: In the state that horn reminder and panic alarm operates.

A
B
C
D
E
F
G
H
J
K
L
M

BL

REMOTE KEYLESS ENTRY SYSTEM

CONSULT-II Function

AIS002FM

CONSULT-II can display each diagnostic item using the diagnostic test modes shown following.

BCM diagnosis part	Inspection items and diagnosis mode	Description
BCM*	SELF-DIAG RESULTS	Carries out the self-diagnosis.
	CAN DIAG SUPPORT MNTR	Displays CAN communication system diagnosis, disabled transmission status, and communication status of each unit communicated with BCM.
	DATA MONITOR	Displays the input data to BCM on real-time basis.
MULTI REMOTE ENT	DATA MONITOR	Displays the input data of BCM in real time.
	ACTIVE TEST	Gives a drive to a load to check the operation.
	WORK SUPPORT	Changes the setting for each function.

*:Refer to [BCS-15, "CAN Communication Inspection Using CONSULT-II \(Self-Diagnosis\)"](#) .

CONSULT-II Inspection Procedure

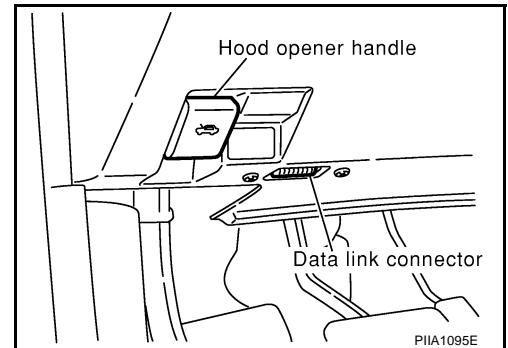
AIS002FM

CAUTION:

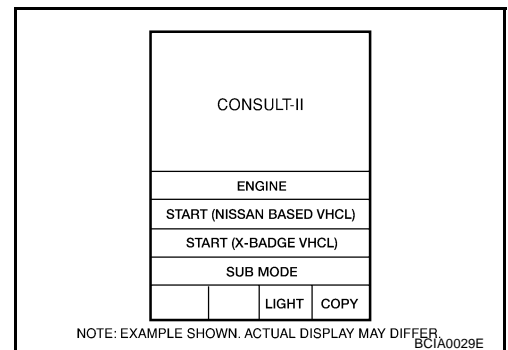
If CONVERTER is not connected with CONSULT-II, vehicle occur the "FAIL-SAFE MODE" which is "LIGHT UP THE HEADLAMP" and/or "COOLING FAN ROTATING" when CONSULT-II is started.

"MULTI REMOTE ENT"

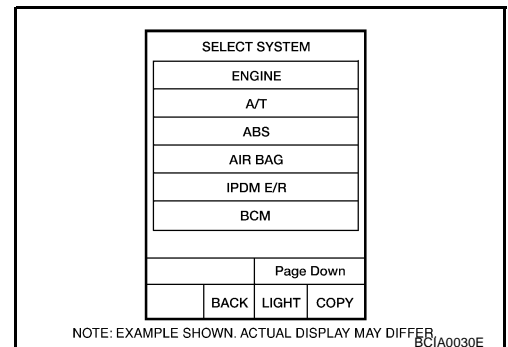
1. Turn ignition switch "OFF".
2. Connect "CONSULT-II" and "CONSULT-II CONVERTER" to data link connector.



3. Turn ignition switch "ON".
4. Touch "START (NISSAN BASED VHCL)".

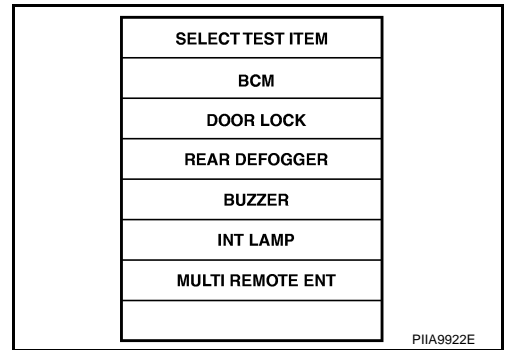


5. Touch "BCM".
If "BCM" is not indicated, go to [GI-39, "CONSULT-II Data Link Connector \(DLC\) Circuit"](#) .

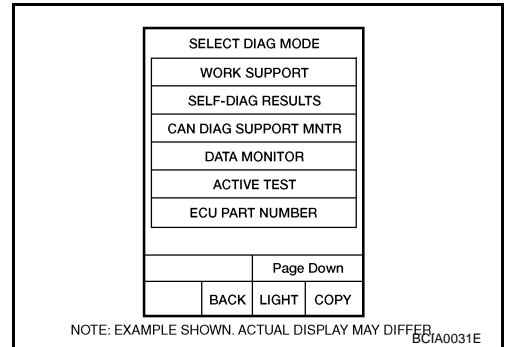


REMOTE KEYLESS ENTRY SYSTEM

6. Touch "MULTI REMOTE ENT".



7. Select diagnosis mode. "WORK SUPPORT", "DATA MONITOR" and "ACTIVE TEST" are available.



CONSULT-II Application Items "MULTI REMOTE CONTENT"

Work Support

Test Item	Description
HORN CHIRP SET*	Horn reminder mode can be changed in this mode. The horn reminder mode will be changed when "CHANGE SETT" on CONSULT-II screen is touched.
HAZARD LAMP SET*	Hazard reminder mode can be changed in this mode. The hazard reminder mode will be changed when "CHANGE SETT" on CONSULT-II screen is touched.
MULTI ANSWER BACK SET	Hazard and horn reminder mode can be changed in this mode. The hazard and horn reminder mode will be changed when "CHANGE SETT" on CONSULT-II screen is touched.
AUTO LOCK SET	Auto locking function mode can be changed in this mode. The function mode will be changed when "CHANGE SETT" on CONSULT-II screen is touched.
PANIC ALRM SET	Panic alarm operation mode can be changed in this mode. The operation mode will be changed when "CHANGE SETT" on CONSULT-II screen is touched.
TRUNK OPEN SET	Trunk lid opener operation mode can be changed in this mode. The operation mode will be changed when "MODE SET" on CONSULT-II screen is touched.
PW DOWN SET	Keyless power window down (open) operation mode can be changed in this mode. The operation mode will be changed when "CHANGE SETT" on CONSULT-II screen is touched.

*: Perform this mode always in the state of C mode. Refer to [BL-61, "Hazard and Horn Reminder"](#).

HORN CHIRP SET*

Horn chirp function	ON	OFF

*: Perform this mode always in the state of C mode. Refer to [BL-61, "Hazard and Horn Reminder"](#).

HAZARD LAMP BACK SET*

	MODE1	MODE2	MODE3	MODE4
Hazard lamp operation mode	Nothing	Unlock only	Lock only	Lock and Unlock

*: Perform this mode always in the state of C mode. Refer to [BL-61, "Hazard and Horn Reminder"](#).

REMOTE KEYLESS ENTRY SYSTEM

MULTI ANSWER BACK SET

	MODE 1 (C mode)		MODE 2 (S mode)	
	Lock	Unlock	Lock	Unlock
Key fob operation	Lock	Unlock	Lock	Unlock
Hazard warning lamp flash	Twice	Once	Twice	—
Horn sound	Once	—	—	—

AUTO LOCK SET

	MODE 1	MODE 2	MODE 3
Auto locking function	1 minutes	Nothing	5 minutes

PANIC ALARM SET

	MODE 1	MODE 2	MODE 3
Key fob operation	0.5 seconds	Nothing	1.5 seconds

Trunk open operation mode

	MODE 1	MODE 2	MODE 3
Key fob operation	0.5 seconds	Nothing	1.5 seconds

PW DOWN SET

	MODE 1	MODE 2	MODE 3
Key fob operation	3 seconds	Nothing	5 seconds

REMOTE KEYLESS ENTRY SYSTEM

Data Monitor

Monitored Item	Description
IGN ON SW	Indicates [ON/OFF] condition of ignition switch in ON position.
KEY ON SW	Indicates [ON/OFF] condition of key switch.
ACC ON SW	Indicates [ON/OFF] condition of ignition switch in ACC position.
KEYLESS LOCK	Indicates [ON/OFF] condition of lock signal from key fob.
KEYLWSS UNLOCK	Indicates [ON/OFF] condition of unlock signal from key fob.
KEYLESS PANIC	Indicates [ON/OFF] condition of panic signal from key fob.
KEYLESS TRUNK	Indicates [ON/OFF] condition of panic signal from key fob.
DOOR SW-DR	Indicates [ON/OFF] condition of front door switch driver side.
DOOR SW-AS	Indicates [ON/OFF] condition of front door switch passenger side.
DOOR SW-RR	Indicates [ON/OFF] condition of rear door switch RH.
DOOR SW-RL	Indicates [ON/OFF] condition of rear door switch LH.
BACK DOOR SW	This is displayed even when it is not equipped.
TRUNK OPN MNTR	Indicates [ON/OFF] condition of trunk room lamp switch.
CDL LOCK SW	Indicates [ON/OFF] condition of lock signal from door lock and unlock switch.
CDL UNLOCK SW	Indicates [ON/OFF] condition of unlock signal from door lock and unlock switch.
RKE LCK-UNLOCK	Indicates [ON/OFF] condition of simultaneous signal of lock and unlock from key fob.
RKE KEEP UNLK	Indicates [ON/OFF] condition of unlock continuousness signal from key fob.
KEY CYL LK-SW	Indicates [ON/OFF] condition of lock signal from door key cylinder switch.
KEY CYL UN-SW	Indicates [ON/OFF] condition of unlock signal from door key cylinder switch.

Active Test

Test Item	Description
FLASHER	This test is able to check right hazard reminder operation. The right hazard lamp turns on when "ON" on CONSULT-II screen is touched.
POWER WINDOW DOWN	This test is able to check power window open operation. The front power windows activate for 10 seconds after "ON" on CONSULT-II screen is touched.
HORN	This test is able to check panic alarm and horn reminder operations. The horn activate for 0.5 seconds after "ON" on CONSULT-II screen is touched.
DOOR LOCK	This test is able to check door lock actuator operation. <ul style="list-style-type: none"> ● The all door lock actuator are locked when "ALL LOCK" on CONSULT-II screen is touched. ● The all door lock actuator are unlocked when "ALL UNLOCK" on CONSULT-II screen is touched. ● The door lock actuator (driver side) is unlocked when "DR UNLOCK" on CONSULT-II screen is touched. ● The all door lock actuator (except driver side) are unlocked when "OTHER UNLOCK" on CONSULT-II screen is touched.
TRUNK/BACK DOOR	This is displayed even when it is not equipped.
PSD PBD OPEN TEST	This is displayed even when it is not equipped.

Work Flow

AIS002FP

1. Check the trouble symptom and customer's requests.
2. Understand outline of system. Refer to [BL-60, "System Description"](#) .
3. Confirm that power door lock system operates normally.
Refer to [BL-23, "POWER DOOR LOCK SYSTEM"](#) .
4. Refer to trouble diagnosis chart by symptom, repair or replace any malfunctioning parts.
Refer to [BL-74, "Trouble Diagnosis Chart by Symptom"](#) .
5. INSPECTION END

REMOTE KEYLESS ENTRY SYSTEM

AIS002FQ

Trouble Diagnosis Chart by Symptom

NOTE:

- Always check the "Work Flow" before troubleshooting. Refer to [BL-73, "Work Flow"](#) .
- Always check key fob battery before replacing key fob.

Symptom	Diagnoses/service procedure	Reference page
All function of remote keyless entry system do not operate.	1. Check key fob battery.	BL-75
	2. Check key fob function.	BL-75
	3. Replace BCM.	BCS-16
The new ID code of key fob cannot be entered without CONSULT-II.	1. Check key fob battery.	BL-75
	2. Check key switch.	BL-81
	3. Check door switch.	BL-77
	4. Check ACC power supply circuit.	BL-76
	5. Replace BCM.	BCS-16
Door lock or unlock does not function with key fob. (Power door lock system is "OK".) (Panic alarm activates properly with key fob.)	1. Check key fob function.	BL-75
	2. Replace BCM.	BCS-16
Hazard and horn reminder does not activate properly when pressing lock or unlock button of key fob.	1. Check hazard and horn reminder mode.* *: Hazard and horn reminder mode can be changed. First check the hazard and horn reminder setting.	BL-71
	2. Check door switch.	BL-77
	3. Replace BCM.	BCS-16
Hazard reminder does not activate properly when pressing lock or unlock button of key fob. (Horn reminder is "OK".)	1. Check hazard reminder mode.* *: Hazard reminder mode can be changed. First check the hazard reminder setting.	BL-71
	2. Check hazard function.	BL-83
	3. Replace BCM.	BCS-16
Horn reminder does not activate properly when pressing lock button of key fob. (Hazard reminder is "OK".)	1. Check horn reminder mode.* *: Horn reminder mode can be changed. First check the horn chirp setting.	BL-71
	2. Check horn function.	BL-83
	3. Check IPDM E/R operation.	BL-82
	4. Replace BCM.	BCS-16
Panic alarm (horn and headlamp) does not activate when panic alarm button is continuously pressed. (Door lock and unlock activates properly with key fob.)	1. Check panic alarm mode.* *: Panic alarm mode can be changed. First check the panic alarm setting.	BL-71
	2. Check key fob function.	BL-75
	3. Check key switch.	BL-81
	4. Check headlamp function.	BL-83
	5. Check horn function.	BL-83
	6. Check IPDM E/R operation.	BL-82
	7. Replace BCM.	BCS-16
Auto door lock operation does not activate properly. (All other remote keyless entry system function is OK.)	1. Check auto door lock operation mode.* *: Auto door lock operation mode can be changed. First check the auto door lock operation setting.	BL-71
	2. Replace BCM.	BCS-16

REMOTE KEYLESS ENTRY SYSTEM

Symptom	Diagnoses/service procedure	Reference page
Keyless power window down (open) operation does not activate properly. (All other remote keyless entry system function is OK.)	1. Check power window down operation mode.* *: Power window down operation mode can be changed. First check the power window down setting.	BL-71
	2. Check power window function.	GW-18
	3. Replace BCM.	BCS-16
Map lamp and ignition keyhole illumination function does not activate properly. (All other remote keyless entry system function is OK.)	1. Check room lamp and ignition keyhole illumination function.	BL-83
	2. Replace BCM.	BCS-16

Check Key Fob Battery

AIS002FR

1. CHECK KEY FOB BATTERY

1. Remove key fob battery. Refer to [BL-87, "Key Fob Battery Replacement"](#) .
2. Check voltage between battery positive and negative terminals, (+) and (-).

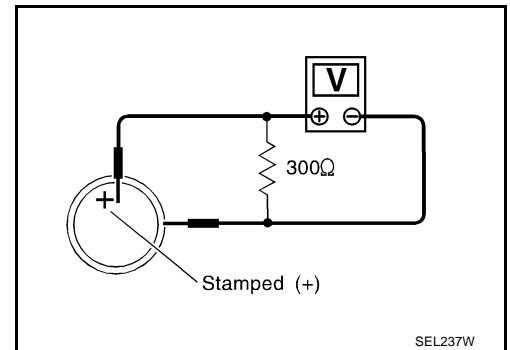
Voltage : 2.5V - 3.0V

NOTE:

Key fob does not function if battery is not set correctly.

OK or NG

- OK >> Key fob battery is OK.
NG >> Replace key fob battery.



Check Key Fob Function

AIS003Y6

1. CHECK KEY FOB FUNCTION

With CONSULT-II

Check key fob function in "DATA MONITOR" mode with CONSULT-II.

When pushing each button of key fob, the corresponding monitor item should be turned as follows.

Key fob switch condition	Monitor item
Pushing LOCK	LK BUTTON/SIG : ON
Pushing UNLOCK	UN BUTTON/SIG : ON
Keep pushing UNLOCK	UN BUTTON ON : ON*
Pushing PANIC	PANIC BTN : ON
Pushing LOCK and UNLOCK at the same time	LK/UN BTN ON : ON

DATA MONITOR	
MONITOR	
LK BUTTON/SIG	OFF
UN BUTTON/SIG	OFF
UN BUTTON ON	OFF
PANIC BTN	OFF
LK/UN BTN ON	OFF

PIIA4975E

*: UN BUTTON ON turns to ON 3 seconds after UNLOCK button keeps pushing.

OK or NG

- OK >> Key fob is OK.
NG >> Replace key fob and register key fob ID code. Refer to [BL-84, "ID Code Entry Procedure"](#) .

REMOTE KEYLESS ENTRY SYSTEM

AIS002FS

Check ACC Power Supply Circuit

1. CHECK ACC POWER

With CONSULT-II

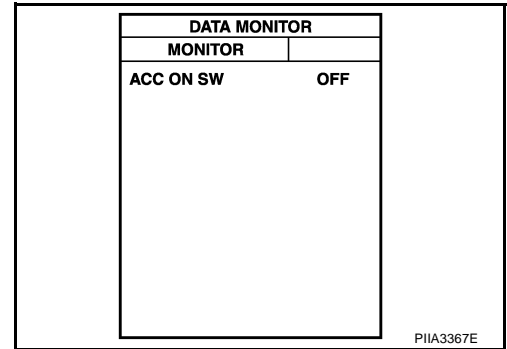
Check ACC power ("ACC ON SW") in "DATA MONITOR" mode with CONSULT-II.

- When ignition switch is in "ACC" position

ACC ON SW : ON

- When ignition switch is in "OFF" position

ACC ON SW : OFF



Without CONSULT-II

Check voltage between BCM connector and ground.

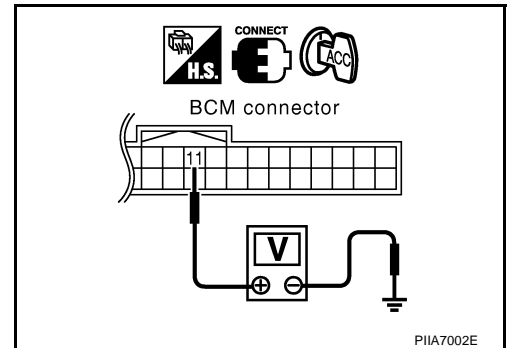
Terminals (Wire color)		(-)	Condition	Voltage (V) (Approx.)
(+) Connector				
Terminal (Wire color)				
M34	11 (P/B)	Ground	ACC	Battery voltage
			OFF	0

OK or NG

OK >> ACC power supply circuit is OK.

NG >> Check the following.

- 10A fuse [No. 6, located in fuse block (J/B)]
- Harness for open or short between BCM and fuse.



REMOTE KEYLESS ENTRY SYSTEM

AIS003Y7

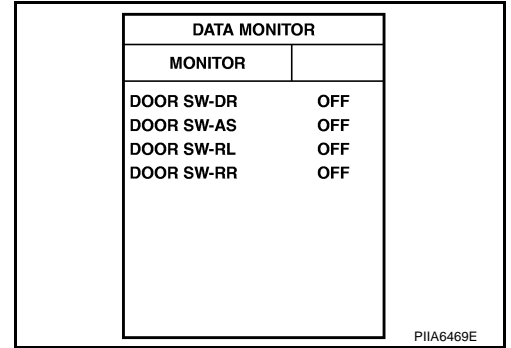
Check Door Switch CHECK DOOR SWITCH (EXCEPT BACK DOOR SWITCH)

1. CHECK DOOR SWITCH INPUT SIGNAL

Ⓜ With CONSULT-II

Check door switches (“DOOR SW-DR”, “DOOR SW-AS”, “DOOR SW-RL” and “DOOR SW-RR”) in “DATA MONITOR” mode with CONSULT-II.

Monitor item	Condition	
DOOR SW-DR	Door is closed	OFF
DOOR SW-AS		
DOOR SW-RL	Door is opened	ON
DOOR SW-RR		



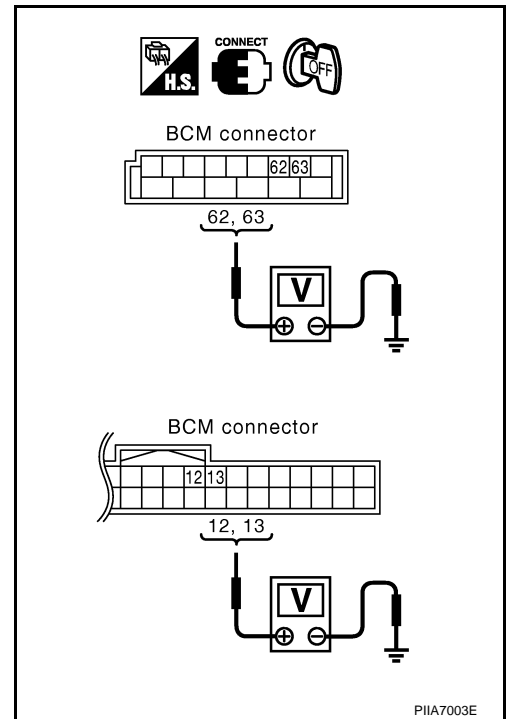
⊗ Without CONSULT-II

Check voltage between BCM and ground.

Door switch	Con- nector	Terminals (wire color)		Condition	Voltage [V] (Approx.)
		(+)	(-)		
Driver side	M36	62 (SB)	Ground	Door close	Battery voltage
Rear LH		63 (R/W)			
Passenger side	M34	12 (R)		Door open	
Rear RH		13 (R/Y)			

OK or NG

- OK >> Door switch circuit is OK.
- NG >> GO TO 2.



REMOTE KEYLESS ENTRY SYSTEM

2. CHECK DOOR SWITCH

1. Turn ignition switch OFF.
2. Disconnect door switch and unified BCM connectors.
3. Check continuity between BCM and door switch.

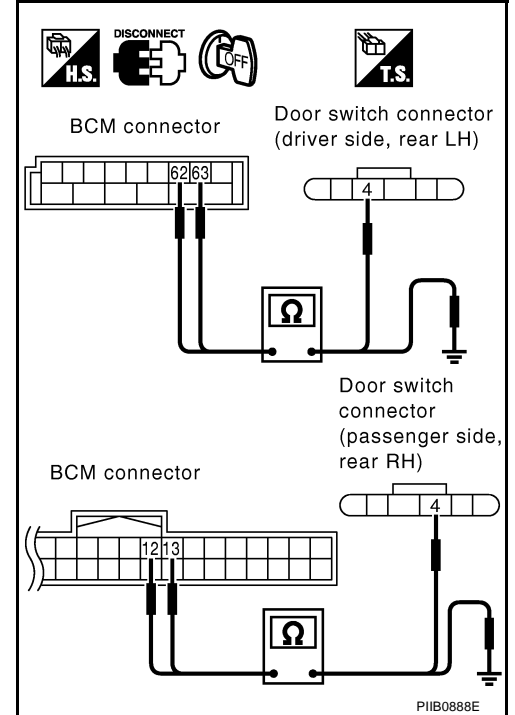
Door switch	Con- nector	Terminal (wire color)	Con- nector	Terminal (wire color)	Continuity
Driver side	M36	62 (SB)	D10	4 (SB)	Yes
Rear LH		63 (R/W)		4 (V)	
Passenger side	M34	12 (R)	D38	4 (R/G)	
Rear RH		13 (R/Y)		4 (R/W)	

4. Check continuity between BCM and ground.

Door switch	Con- nector	Terminal (wire color)	Continuity
Driver side	M36	62 (SB)	No
Rear LH		63 (R/W)	
Passenger side	M34	12 (R)	
Rear RH		13 (R/Y)	

OK or NG

- OK >> GO TO 3.
 NG >> Repair or replace harness.



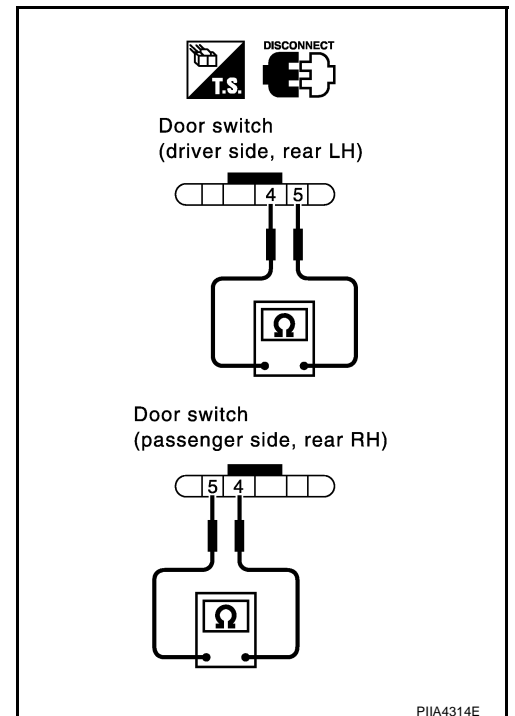
3. CHECK DOOR SWITCH

Check continuity between door switch terminals 4 and 5.

Terminal	Door switch condition	Continuity
4	Open position	Yes
	Closed position	No

OK or NG

- OK >> GO TO 4.
 NG >> Replace door switch.



REMOTE KEYLESS ENTRY SYSTEM

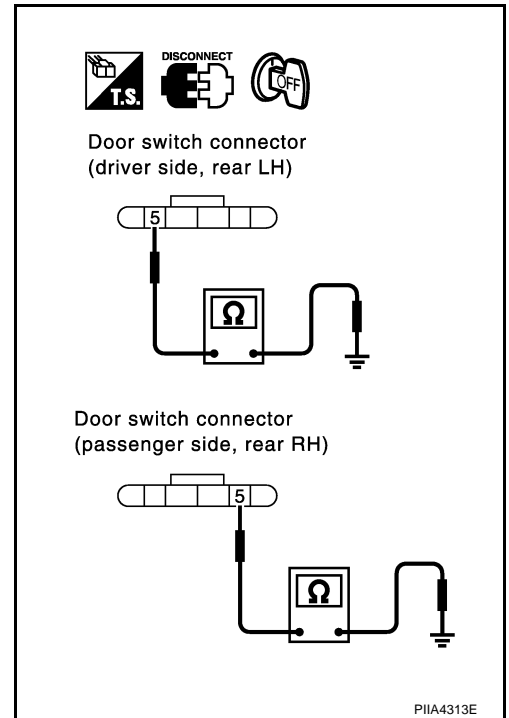
4. CHECK DOOR SWITCH GROUND HARNESS

Check continuity between door switch connectors D10, D38, D56, D76 terminal 5 and ground.

Door switch	Connector	Terminal		Continuity
Driver side	D10	5 (B)	Ground	Yes
Passenger side	D38			
Rear RH	D76			
Rear LH	D56	5 (G/Y)		

OK or NG

- OK >> Check harness connector.
- NG >> Repair or replace harness.



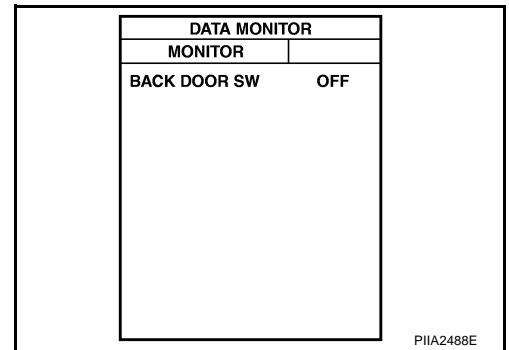
CHECK BACK DOOR SWITCH

1. CHECK BACK DOOR SWITCH INPUT SIGNAL

With CONSULT-II

Check back door switch ("BACK DOOR SW") in "DATA MONITOR" mode with CONSULT-II.

- When back door is open
BACK DOOR SW : ON
- When back door is closed
BACK DOOR SW : OFF



Without CONSULT-II

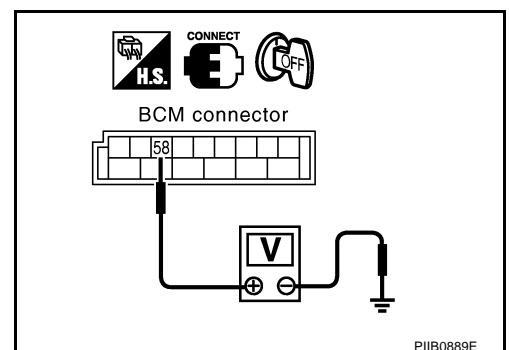
Check voltage between BCM connector and ground.

Item	Con- nector	Terminals (Wire color)		Condition	Voltage [V] (Approx.)
		(+)	(-)		
Back door switch	M36	58 (V/W)	Ground	OPEN	0
				CLOSE	Battery voltage*

*. When interior lamp battery saver control is OFF: Approx. 5V.

OK or NG

- OK >> Back door switch circuit is OK.
- NG >> GO TO 2.



REMOTE KEYLESS ENTRY SYSTEM

2. CHECK BACK DOOR SWITCH HARNESS

1. Turn ignition switch OFF.
2. Disconnect BCM and back door lock assembly connectors.
3. Check continuity between BCM connector M36 terminal 58 and back door lock assembly connector D111 terminal 3.

58 (V/W) – 3 (V/W) : Continuity should exist.

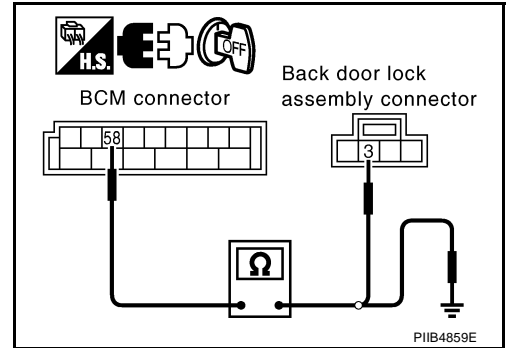
4. Check continuity between BCM connector M36 terminal 58 and ground.

58 (V/W) – Ground : Continuity should not exist.

OK or NG

OK >> GO TO 3.

NG >> Repair or replace harness.



3. CHECK BACK DOOR SWITCH

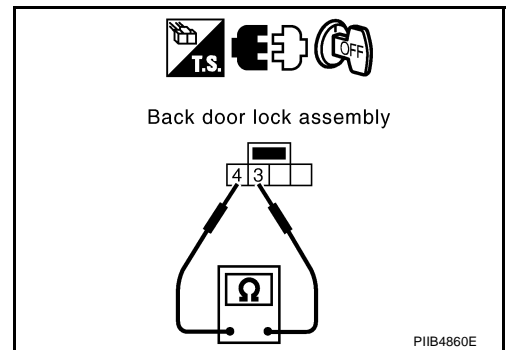
Check continuity between back door lock assembly terminals 3 and 4.

Terminal		Back door condition	Continuity
3	4	Open position	Yes
		Closed position	No

OK or NG

OK >> GO TO 4.

NG >> Replace back door lock assembly.



4. CHECK BACK DOOR SWITCH GROUND HARNESS

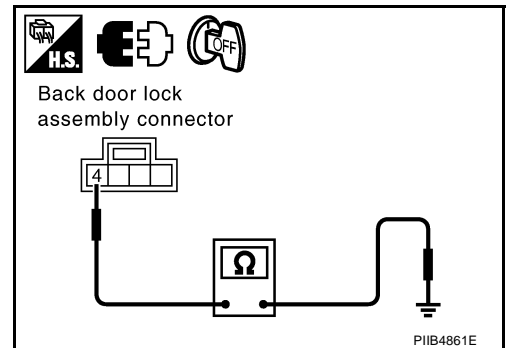
Check continuity between back door lock assembly connector D111 terminal 4 and ground.

4 (B) - Ground : Continuity should exist.

OK or NG

OK >> Check harness connection.

NG >> Repair or replace harness.



REMOTE KEYLESS ENTRY SYSTEM

AIS003Y8

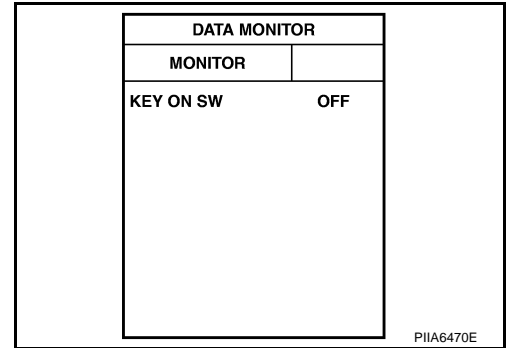
Check Key Switch

1. CHECK KEY SWITCH INPUT SIGNAL

With CONSULT-II

Check ignition key switch "IGN ON SW" in "DATA MONITOR" mode with CONSULT-II.

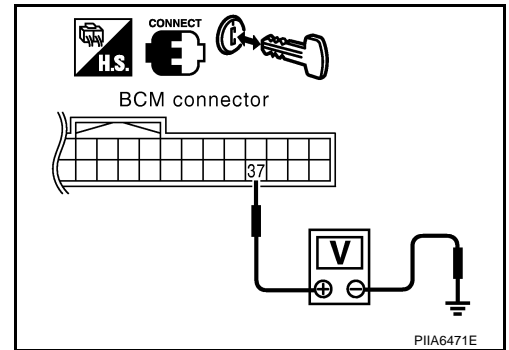
- When key is inserted in ignition key cylinder
KEY ON SW : ON
- When key is removed from ignition key cylinder
KEY ON SW : OFF



Without CONSULT-II

Check voltage between BCM connector and ground.

Con- nector	Terminal (Wire color)		Condition	Voltage [V] (Approx.)
	(+)	(-)		
M34	37 (B/R)	Ground	Key is removed from ignition key cylinder.	0
			Key is inserted in ignition key cylinder.	Battery voltage



OK or NG

- OK >> Key switch circuit is OK.
- NG >> GO TO 2.

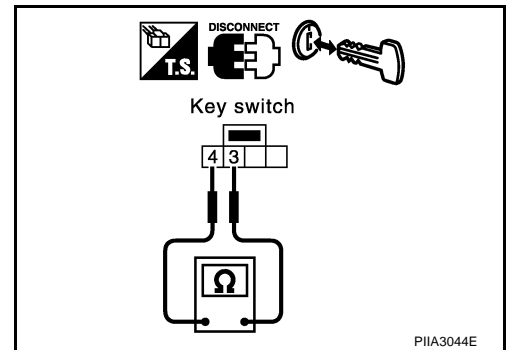
2. CHECK KEY SWITCH

Check continuity between key switch connector M28 terminals 3 and 4.

Terminal		Condition	Continuity
3	4		
3	4	Key is removed from ignition key cylinder.	No
		Key is inserted in ignition key cylinder.	Yes

OK or NG

- OK >> GO TO 3.
- NG >> Replace key switch.



REMOTE KEYLESS ENTRY SYSTEM

3. CHECK KEY SWITCH CIRCUIT

1. Disconnect BCM connector.
2. Check continuity between BCM harness connector M34 terminal 37 and key switch harness connector M28 terminal 4.

37 (B/R) - 4 (B/R) : Continuity should exist.

3. Check continuity between BCM harness connector M34 terminal 37 and ground.

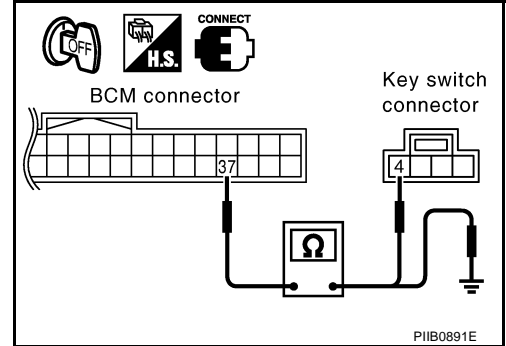
37 (B/R) - Ground : Continuity should not exist.

OK or NG

OK >> Check the following.

- 10A fuse [No.21, located in the fuse block (J/B)]
- Harness for open or short between key switch and fuse

NG >> Repair harness or connector.



Check IPDM E/R Operation

1. CHECK IPDM E/R INPUT VOLTAGE

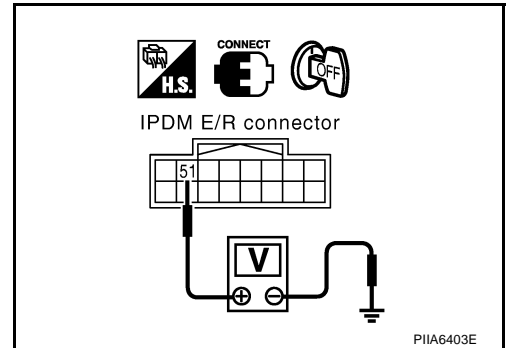
1. Turn ignition switch OFF.
2. Check voltage between IPDM E/R connector E9 terminal 51 and ground.

51 (G/O) – Ground : Battery voltage

OK or NG

OK >> Replace IPDM E/R.

NG >> GO TO 2.



2. CHECK IPDM E/R HARNESS

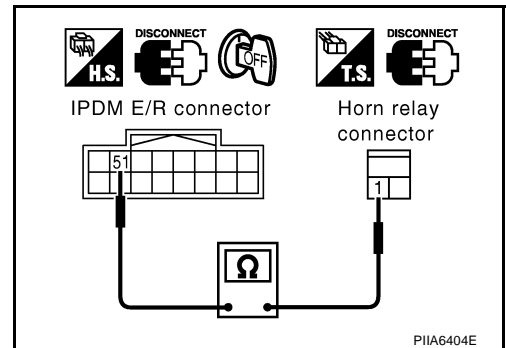
1. Disconnect IPDM E/R and horn relay connector.
2. Check continuity between IPDM E/R connector E9 terminal 51 and horn relay connector E11 terminal 1.

51 (G/O) – 1 (G/O) : Continuity should exist.

OK or NG

OK >> Check harness connection.

NG >> Repair or replace harness.



REMOTE KEYLESS ENTRY SYSTEM

Check Hazard Function

AIS002FY

1. CHECK HAZARD WARNING LAMP

Does hazard warning lamp flash with hazard switch?

YES or NO

YES >> Hazard warning lamp circuit is OK.

NO >> Check hazard warning lamp circuit. Refer to [LT-123, "TURN SIGNAL AND HAZARD WARNING LAMPS"](#) .

Check Horn Function

AIS002FZ

First perform the "SELF-DIAG RESULTS" in "BCM" with CONSULT-II, then perform the trouble diagnosis of malfunction system indicated "SELF-DIAG RESULTS" of "BCM". Refer to [BCS-15, "CAN Communication Inspection Using CONSULT-II \(Self-Diagnosis\)"](#) .

1. CHECK HORN FUNCTION

Does horn sound with horn switch?

YES or NO

YES >> Horn circuit is OK.

NO >> Check horn circuit. Refer to [WW-57, "HORN"](#) .

Check Headlamp Function

AIS002G0

First perform the "SELF-DIAG RESULTS" in "BCM" with CONSULT-II, then perform the trouble diagnosis of malfunction system indicated "SELF-DIAG RESULTS" of "BCM". Refer to [BCS-15, "CAN Communication Inspection Using CONSULT-II \(Self-Diagnosis\)"](#) .

1. CHECK HEADLAMP OPERATION

Does headlamp come on when turning lighting switch "ON"?

YES or NO

YES >> Headlamp circuit is OK.

NO >> Check headlamp system. Refer to [LT-6, "HEADLAMP - XENON TYPE -"](#) , [LT-39, "HEADLAMP - CONVENTIONAL TYPE -"](#) .

Check Room Lamp and Ignition Keyhole Illumination Function

AIS002G1

1. CHECK ROOM LAMP AND KEYHOLE ILLUMINATION OPERATION

When room lamp switch is in "DOOR" position, open the front door (LH or RH).

Room lamp and ignition keyhole illumination should illuminate.

OK or NG

OK >> Room lamp and ignition keyhole illumination circuit is OK.

NG >> Check room lamp and ignition keyhole illumination circuit. Refer to [LT-200, "Room Lamp Does Not Illuminate"](#) , [LT-204, "Ignition Key Hole Illumination Does Not Illuminate"](#) .

REMOTE KEYLESS ENTRY SYSTEM

AI5002G2

ID Code Entry Procedure KEY FOB ID SET UP WITH CONSULT-II

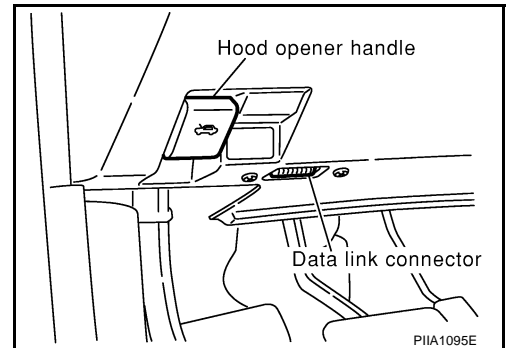
CAUTION:

If CONVERTER is not connected with CONSULT-II, vehicle occur the “FAIL-SAFE MODE” which is “LIGHT UP THE HEADLAMP” and/or “COOLING FAN ROTATING” when CONSULT-II is started.

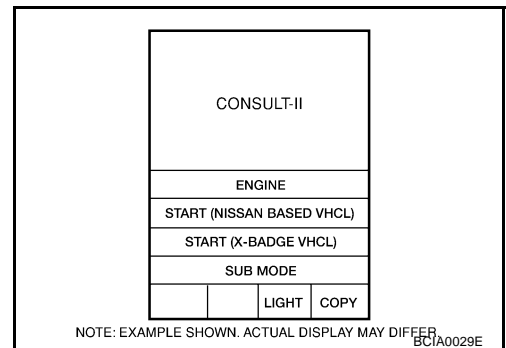
NOTE:

- If a key fob is lost, the ID code of the lost key fob must be erased to prevent unauthorized use. A specific ID code can be erased with CONSULT-II. However, when the ID code of a lost key fob is not known, all controller ID codes should be erased. After all ID codes are erased, the ID codes of all remaining and/or new key fobs must be re-registered.
- When registering an additional key fob, the existing ID codes in memory may or may not be erased. If five ID codes are stored in memory, when an additional code is registered, only the oldest code is erased. If less than five ID codes are stored in memory, when an additional ID code is registered, the new ID code is added and no ID codes are erased.
- Entry of maximum five ID codes is allowed. When more than five ID codes are entered, the oldest ID code will be erased.
- Even if same ID code that is already in the memory is input, the same ID code can be entered. The code is counted as an additional code.

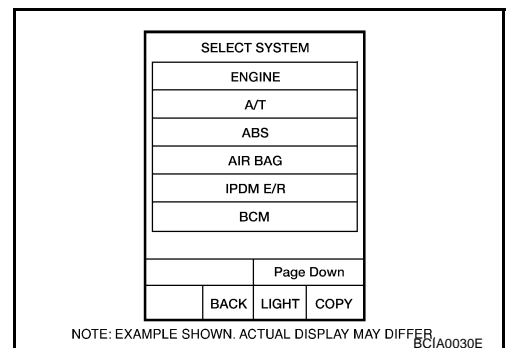
1. Turn ignition switch “OFF”.
2. Connect “CONSULT-II” and “CONSULT-II CONVERTER” to data link connector.



3. Turn ignition switch ON.
4. Touch “START (NISSAN BASED VHCL)”.

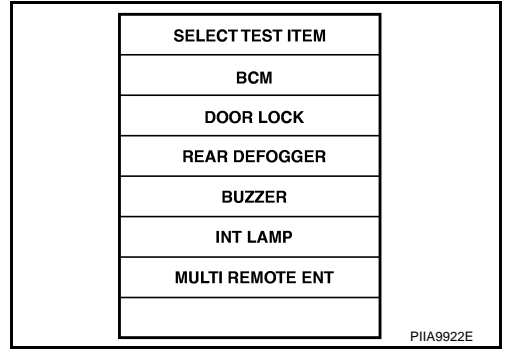


5. Touch “BCM”.
- If “BCM” is not indicated, go to [GI-39, "CONSULT-II Data Link Connector \(DLC\) Circuit"](#) .



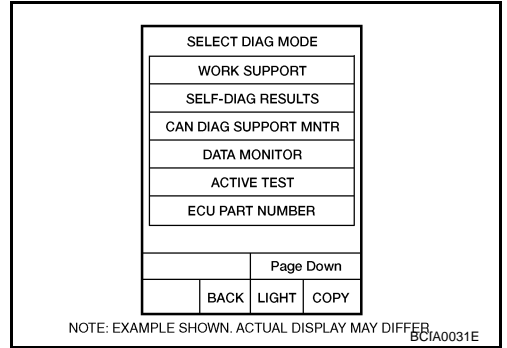
REMOTE KEYLESS ENTRY SYSTEM

6. Touch "MULTI REMOTE ENT".



A
B
C
D

7. Touch "WORK SUPPORT".



E
F
G

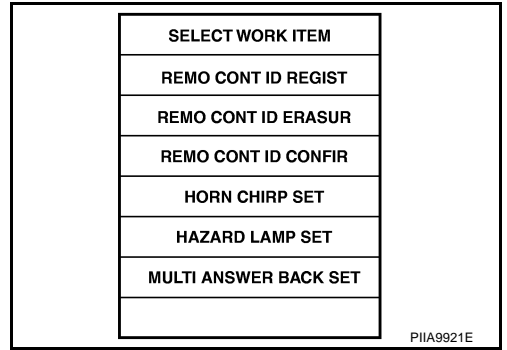
8. The items are shown on the figure can be set up.

- "REMO CONT ID REGIST"
Use this mode to register a key fob ID code.

NOTE:

Register a key fob ID code when key fob or BCM is replaced, or when additional key fob is required.

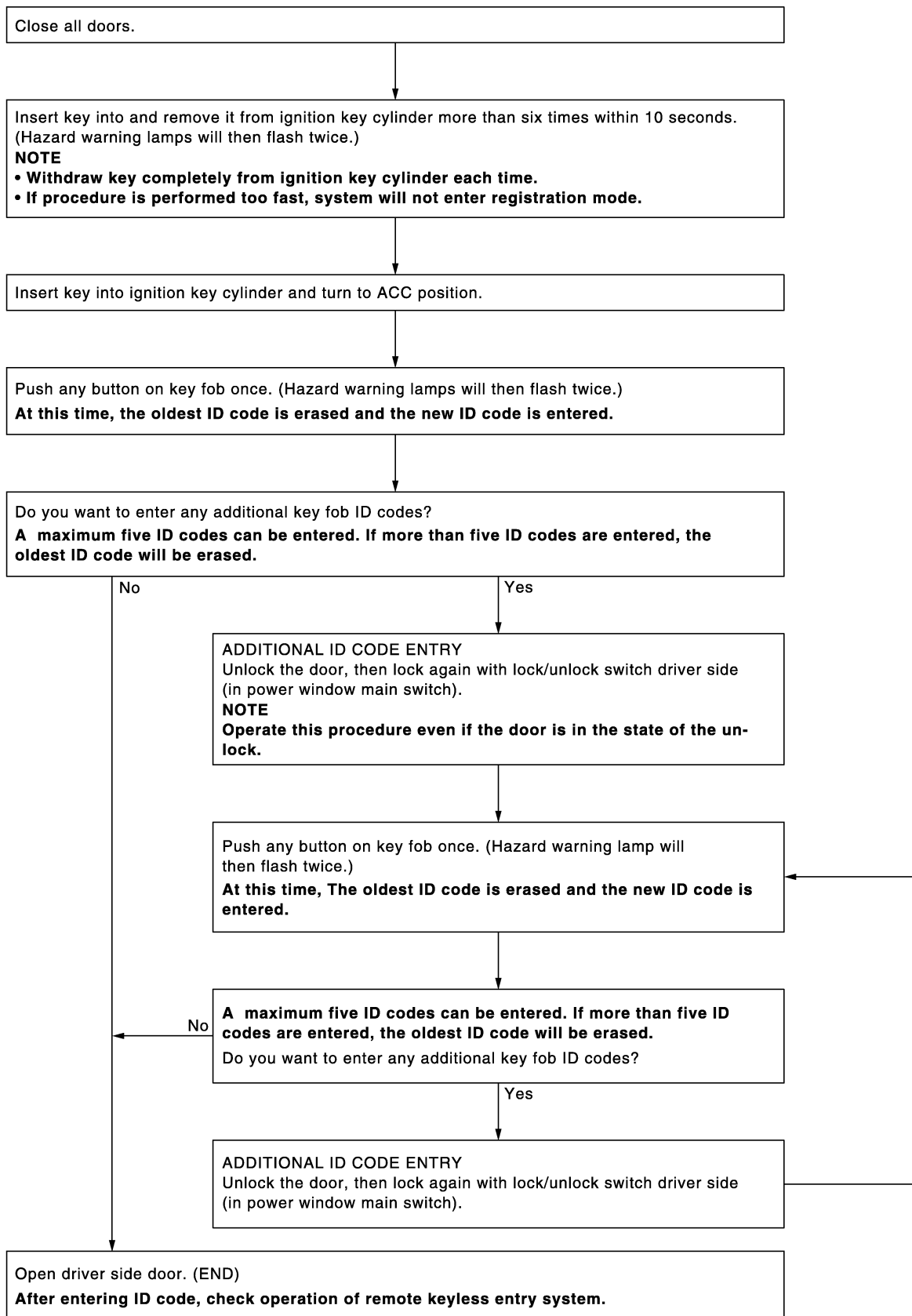
- "REMO CONT ID ERASUR"
Use this mode to erase a key fob ID code.
- "REMO CONT ID CONFIR"
Use this mode to confirm if a key fob ID code is registered or not.



H
BL
J
K
L
M

REMOTE KEYLESS ENTRY SYSTEM

KEY FOB ID SET UP WITHOUT CONSULT-II



PIIA2839E

REMOTE KEYLESS ENTRY SYSTEM

NOTE:

- If a key fob is lost, the ID code of the lost key fob must be erased to prevent unauthorized use. A specific ID code can be erased with CONSULT-II. However, when the ID code of a lost key fob is not known, all controller ID codes should be erased. After all ID codes are erased, the ID codes of all remaining and/or new key fobs must be re-registered.
To erase all ID codes in memory, register one ID code (key fob) five times. After all ID codes are erased, the ID codes of all remaining and/or new key fobs must be re-registered.
- When registering an additional key fob, the existing ID codes in memory may or may not be erased. If five ID codes are stored in memory, when an additional code is registered, only the oldest code is erased. If less than five ID codes are stored in memory, when an additional ID code is registered, the new ID code is added and no ID codes are erased.
- If you need to activate more than two additional new key fobs, repeat the procedure "Additional ID code entry" for each new key fob.
- Entry of maximum five ID codes is allowed. When more than five ID codes are entered, the oldest ID code will be erased.
- Even if same ID code that is already in the memory is input, the same ID code can be entered. The code is counted as an additional code.

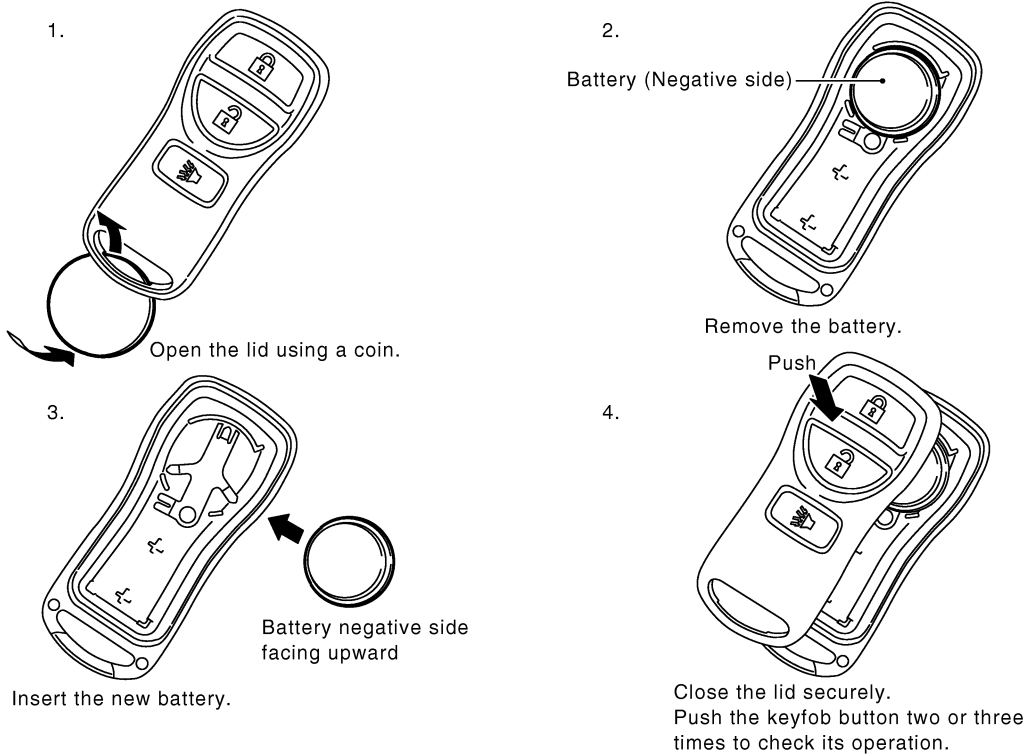
Key Fob Battery Replacement

AIS002G3

SEC. 998

NOTE:

- Be careful not to touch the circuit board or battery terminal.
- The keyfob is water-resistant. However, if it does get wet, immediately wipe it dry.



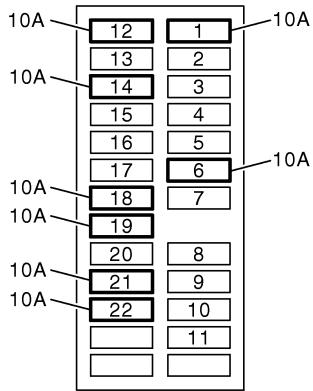
INTELLIGENT KEY SYSTEM

PFP:285e2

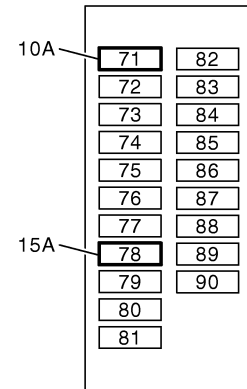
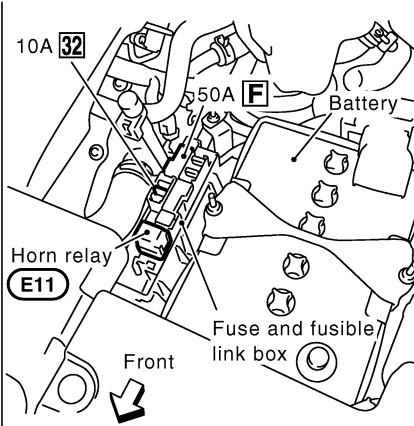
AIS006BX

INTELLIGENT KEY SYSTEM

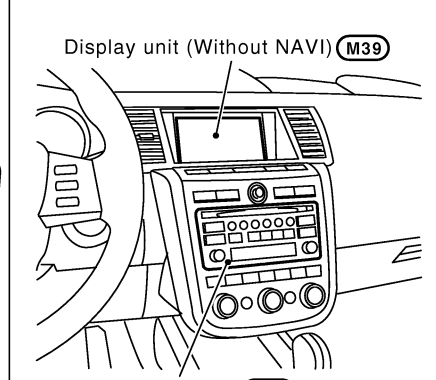
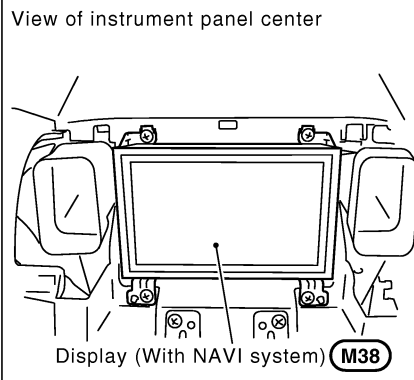
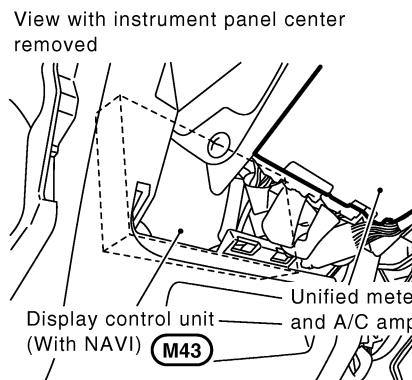
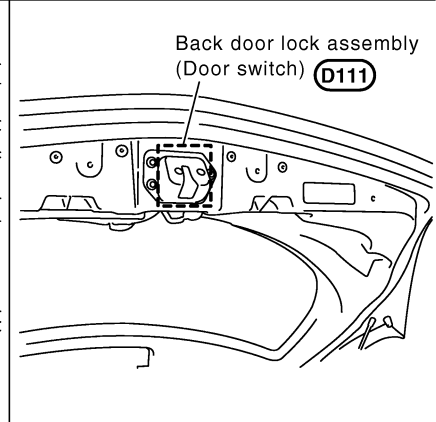
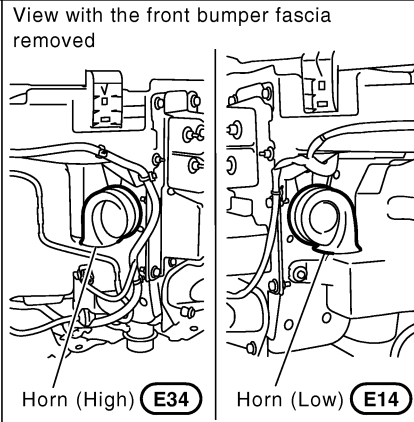
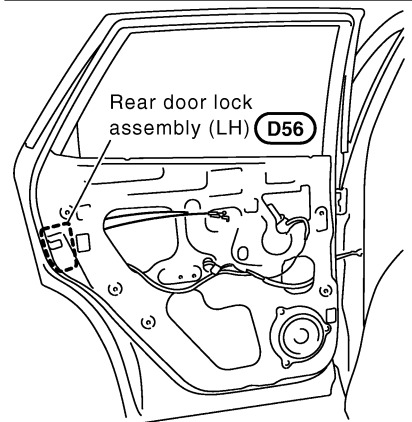
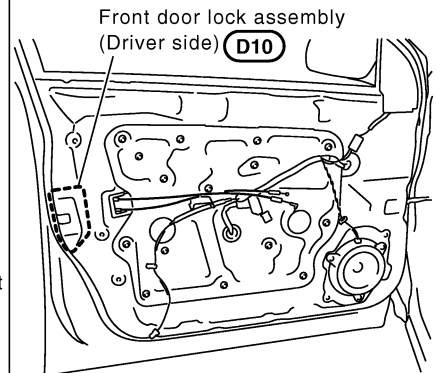
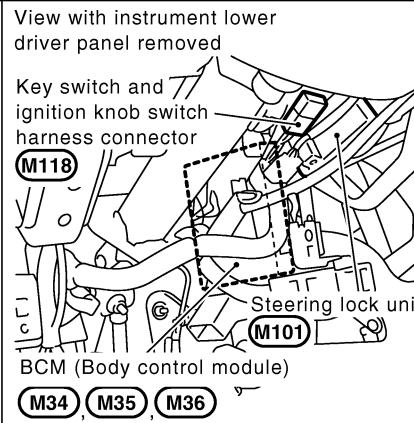
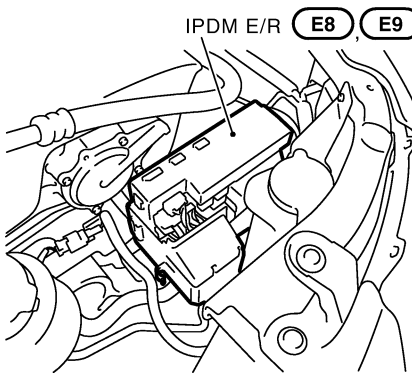
Component Parts and Harness Connector Location



Fuse block (J/B) fuse layout

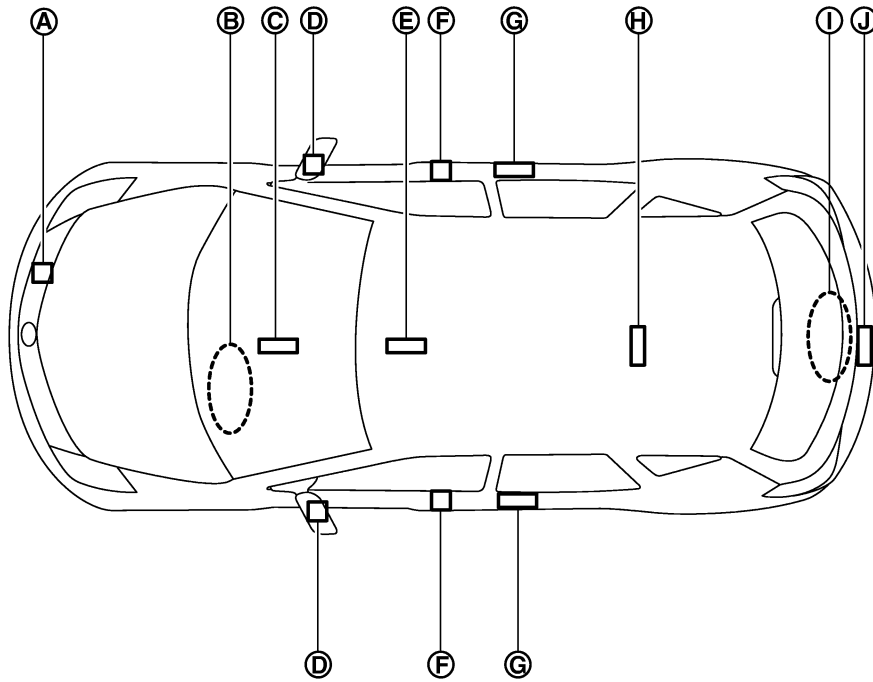


IPDM E/R fuse layout

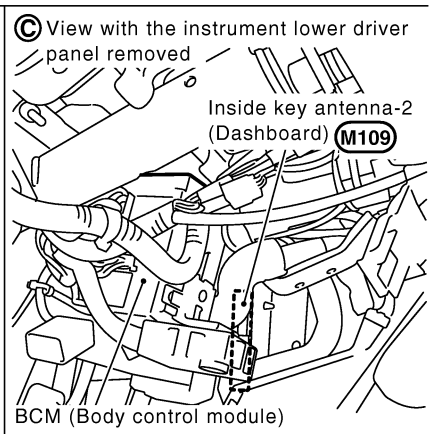
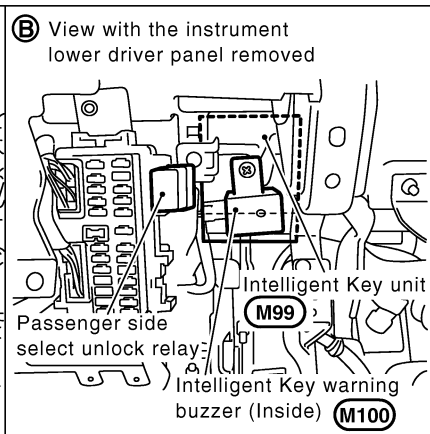
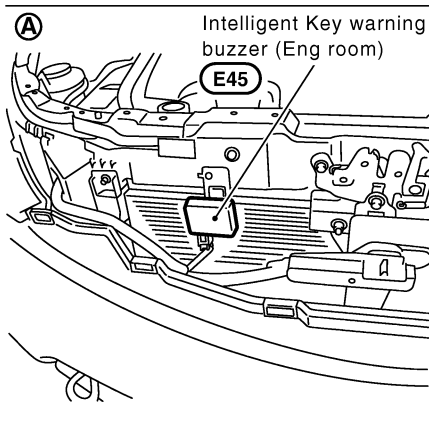


PIIB4530E

INTELLIGENT KEY SYSTEM

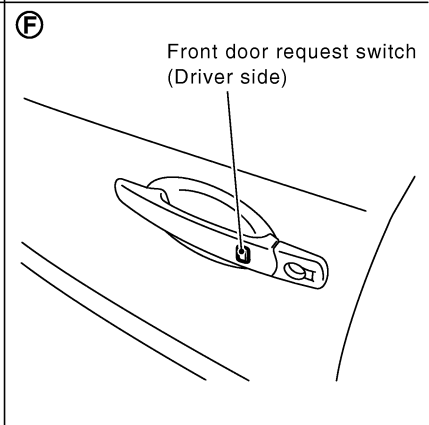
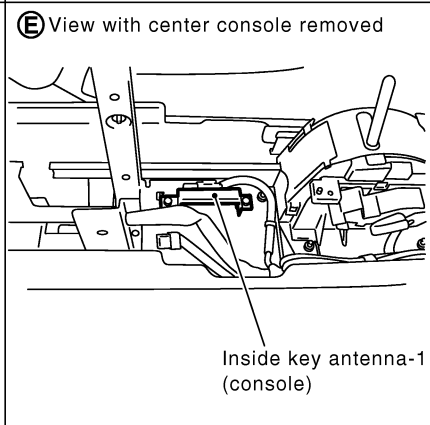
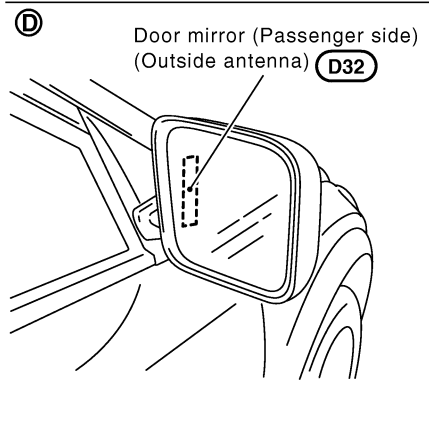


A
B
C
D
E
F
G
H



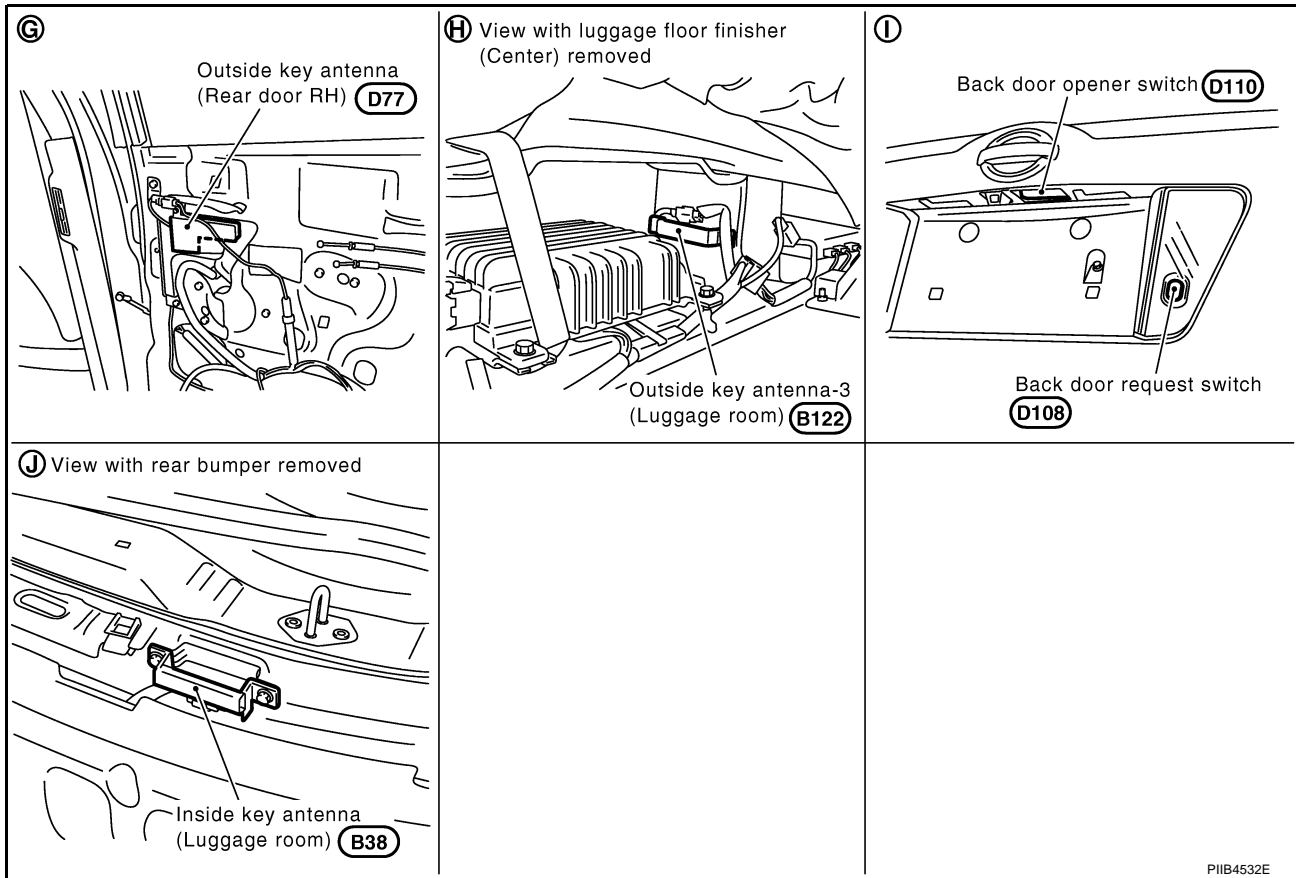
BL

J
K
L
M



PIIB4531E

INTELLIGENT KEY SYSTEM



System Description

AIS006BY

- The Intelligent Key system is a system that makes it possible to lock and unlock the all doors lock (door lock/unlock function), and start the engine (engine start function) by carrying around the Intelligent Key (without some key operation), which operates based on the results of electronic ID verification using two-way communications between the Intelligent Key and the vehicle (Intelligent Key unit).

CAUTION:

The driver should always carry the Intelligent Key.

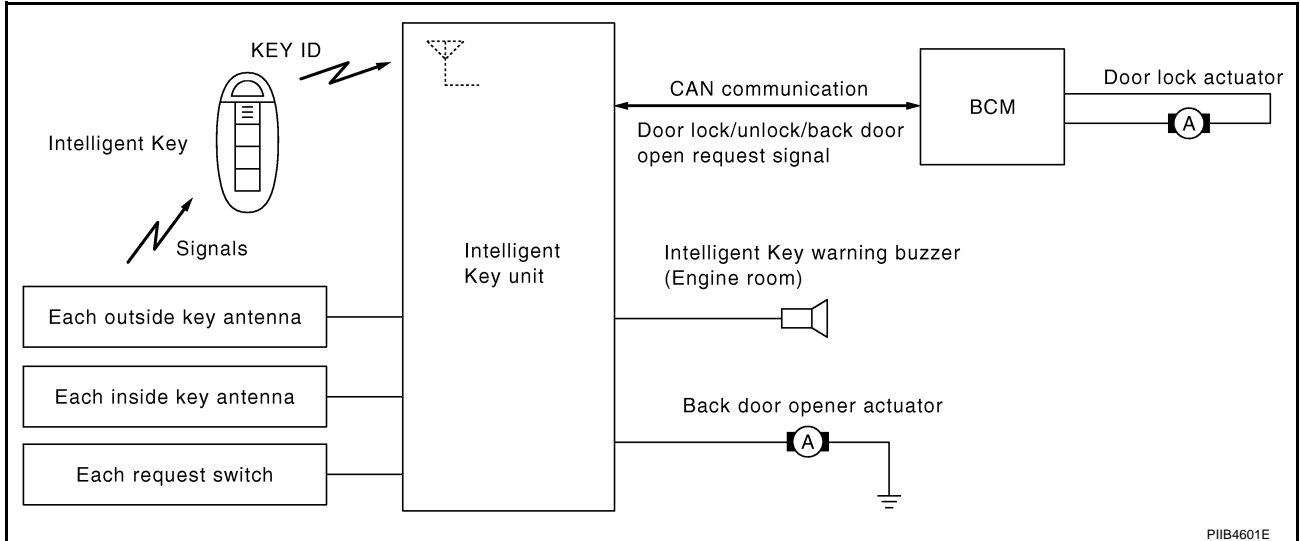
- Operation of the remote controller buttons on the Intelligent Key also provides the same functions as the remote controller entry system. (Remote keyless entry functions)
- If an action that does not meet the operating conditions of the Intelligent Key system is taken, the buzzer goes off to inform the driver. (Warning chime functions)
- When a door lock is locked or unlocked with request switch or remote controller button operation, the hazard lamps flash and the buzzer (outside vehicle) sounds (Hazard and horn reminder function).
- Even if the Intelligent Key battery is completely discharged, the door locks can be locked and unlocked and the engine started with the mechanical key built into the Intelligent Key.
- The settings for each function can be changed with the CONSULT-II.
- If an Intelligent Key is lost, a new Intelligent Key can be registered. A maximum of 4 Intelligent Keys can be registered.
- It has been made possible to diagnose the system and register an Intelligent Key with the CONSULT-II.

INTELLIGENT KEY SYSTEM

DOOR LOCK/UNLOCK FUNCTION

Only when pressing the request switch, it is possible to lock and unlock the all doors by carrying around the Intelligent Key (without some key operation).

System Diagram



Operation Description

- When the Intelligent Key unit detects that each request switch is pressed, it starts the outside antenna corresponding to the pressed request switch and sends the request signal to the Intelligent Key. And then, make sure that the Intelligent Key is near the door.
- If the Intelligent Key is within the outside antenna detection area, it receives the request signal and sends the key ID signal to the Intelligent Key unit.
- Intelligent Key receives the key ID signal and compares it with the registered key ID.
- If the key ID check result is OK, the Intelligent Key unit sends the door lock/unlock request signal to BCM (body control module) via CAN communication line.
- Intelligent Key unit sends the door lock/unlock signal and sounds the Intelligent Key warning buzzer (engine room) (lock: 1 time, unlock: 2 times) at the same time.
- When BCM receives the door lock/unlock signal, it operates door lock actuator and flashes the hazard lamp (lock: 1 time, unlock: 2 times) at the same time as an operation check.

INTELLIGENT KEY SYSTEM

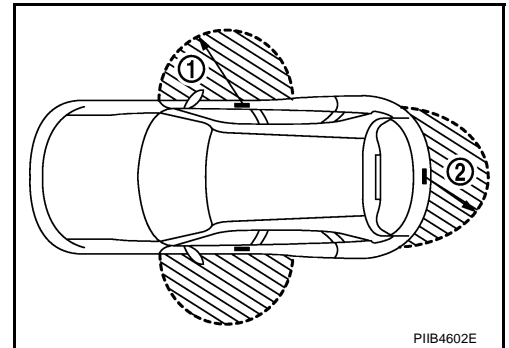
Operation Condition

If the following conditions are not satisfied, door lock/unlock operation is not performed even if the request switch is operated.

Request switch	Operation condition
Lock operation	<ul style="list-style-type: none"> ● All doors are closed ● Intelligent Key is outside the vehicle ● Intelligent Key is with in outside key antenna detection area ● OFF position warning chime is not operated
Unlock operation	<ul style="list-style-type: none"> ● Intelligent Key is outside the vehicle ● Intelligent Key is within outside key antenna detection area

Outside Key Antenna Detection Area

The outside key antenna detection area of door lock/unlock function is in the range of approximately 80 cm (31.50 in) surrounding the front door request switch (driver side, passenger side) (1) and the back door request switch (2). However, this operating range depends on the ambient conditions.



Key Reminder Function

Key reminder functions have the following 2 functions.

Key reminder function	Operation condition	Operation
When the driver door is open	Key reminder function is operated when <ul style="list-style-type: none"> ● Intelligent Key is inside the vehicle, ● Driver door is open, and ● Door is locked by door lock and unlock switch or door lock knob 	All doors unlock operation
When the door is open/closed	Key reminder function is operated when <ul style="list-style-type: none"> ● Intelligent Key is inside the vehicle, ● Any door is open, ● All doors are locked by door lock and unlock switch or door lock knob, and ● All door are closed. 	<ul style="list-style-type: none"> ● All doors unlock operation ● Sound Intelligent Key warning buzzer (engine room) for 3 seconds

CAUTION:

- The above function operates when the Intelligent Key is inside the vehicle. However, there may be times when the Intelligent Key cannot be detected, and this function will not operate when the Intelligent Key is on the instrument panel, or in the glove box. Also, this system sometimes does not operate if the Intelligent Key is in the door pocket for the open door.

Selective Unlock Function for Driver Side

When an LOCK signal is sent from door request switch (driver side), all doors will be locked.

When an UNLOCK signal is sent from door request switch (driver side) once, driver's door will be unlocked.

Then, if an UNLOCK signal is sent from door request switch (driver side) again within 5 seconds, all other door will be unlocked.

Selective Unlock Function for Passenger Side

When an LOCK signal is sent from request switch (passenger side), all doors will be locked.

When an UNLOCK signal is sent from request switch (passenger side) once, Intelligent Key unit turns on passenger side select unlock relay. And then passenger's door will be unlocked.

If an UNLOCK signal is sent from request switch (passenger side) again within 5 seconds, all other door will be unlocked.

INTELLIGENT KEY SYSTEM

Selective Unlock Function for Back Door

When an LOCK signal is sent from door request switch (back door), all doors will be locked.
 When an UNLOCK signal is sent from door request switch (back door) once, back door can be opened.
 Then, if an UNLOCK signal is sent from door request switch (back door) again within 5 seconds, all other door will be unlocked.

Hazard and Horn Reminder

When doors are locked or unlocked by door request switch, Intelligent Key unit sends hazard and horn request signal to BCM via CAN communication line.
 BCM flashes hazard warning lamps as a reminder and sends horn chirp signal to IPDM E/R, IPDM E/R sounds horn as a reminder.
 The hazard and horn reminder has a horn chirp mode (C mode) and a non-horn chirp mode (S mode).

Operating function of hazard and horn reminder

	C mode		S mode	
	Lock	Unlock	Lock	Unlock
Remote controller of Intelligent Key operation				
Hazard warning lamp flash	Twice	Once	Twice	—
Horn sound	Once	—	—	—

Hazard and horn reminder does not operate if any door switch is ON (any door is OPEN).

How to change hazard and horn reminder mode

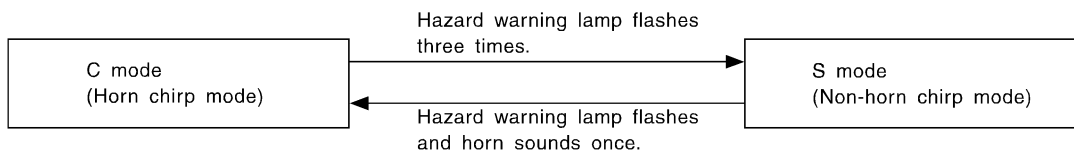
📄 With CONSULT-II

Hazard and horn reminder can be changed using “HAZARD ANSWER BACK”, “ANSWER BACK WITH I-KEY LOCK” and “ANSWER BACK WITH I-KEY UNLOCK” mode in “WORK SUPPORT”.

Refer to [BL-126, "WORK SUPPORT"](#).

⊗ Without CONSULT-II

When LOCK and UNLOCK signals are sent from the remote controller of Intelligent Key for more than 2 seconds at the same time, the hazard and horn reminder mode is changed and hazard warning lamp flashes and horn sounds as follows:



SEL153WA

INTELLIGENT KEY SYSTEM

Auto Door Lock Function

When all doors are locked, ignition knob switch is OFF (when ignition switch is not pressed) and key switch is OFF (when mechanical key is not inserted in key cylinder), doors are unlocked with door request switch. When Intelligent Key unit does not receive the following signals within 30 seconds, all doors are locked.

- Door switch is ON (door is opened)
- Door is locked
- Ignition knob switch is ON (ignition knob is pressed)
- Key switch is ON (mechanical key is inserted in key cylinder)

Auto door lock mode can be changed by "AUTO RELOCK TIMER" mode in "WORK SUPPORT". Refer to [BL-126, "WORK SUPPORT"](#).

Room Lamp Operation

When the following conditions are met:

- Condition of interior lamp switch is in DOOR position
- Door switch OFF (when all the doors are closed)

Intelligent Key system turns on interior lamp (for 30 seconds) by receiving UNLOCK signal from door request switch. For detailed description, refer to Refer [LT-178, "ROOM LAMP TIMER OPERATION"](#) I.

List of Operation Related Parts

Parts marked with × are the parts related to operation.

	Intelligent Key	Key switch	Ignition knob switch	Door unlock sensor	Door request switch (Driver, Passenger, Back door)	Door lock actuator	Door switch	Inside key antenna	Outside key antenna (Door mirror, Rear door, Rear bumper)	Intelligent Key warning buzzer	Intelligent Key unit	CAN communication system	BCM	Select unlock relay	Hazard warning lamp
Door lock open function															
Door lock/unlock function by request switch	×	×	×	×	×	×	×	×	×		×	×	×		
Door lock/unlock function by mechanical key						×							×		
Hazard and horn reminder function										×	×	×	×		×
Key reminder function	×			×	×	×	×	×	×	×	×	×	×		×
Selective unlock function by request switch (driver side)	×				×	×	×	×	×	×	×	×	×		
Selective unlock function by request switch (passenger side)	×				×	×	×	×	×	×	×	×	×	×	
Selective unlock function by request switch (back door)	×				×		×	×	×	×	×	×	×		
Auto door lock function	×	×			×		×				×	×	×		

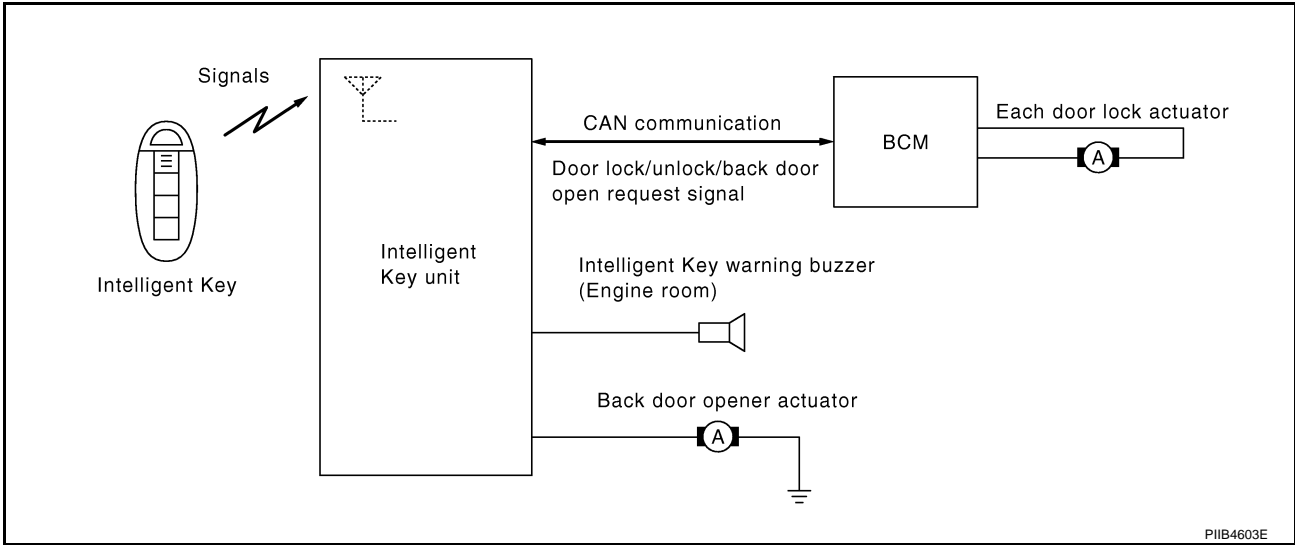
INTELLIGENT KEY SYSTEM

REMOTE KEYLESS ENTRY FUNCTIONS

Door Lock/Unlock Function

The Intelligent Key has the same functions as the remote control entry system. Therefore, it can be used in the same manner as the remote controller by operating the door lock/unlock button.

System Diagram



Door Lock/Unlock Function

- When door lock/unlock button of the Intelligent Key is passed, lock signal or unlock signal is sent from Intelligent Key to Intelligent Key unit.
- Intelligent Key unit sends the door lock/unlock request signal to BCM via CAN communication line.
- Intelligent Key unit sends the door lock/unlock signal and sounds the Intelligent Key warning buzzer (engine room) (lock: 1 time, unlock: 2 times) at the same time.
- When BCM receives the door lock/unlock signal, it operates door lock actuator and flashes the hazard lamp (lock: 1 time, unlock: 2 times) at the same time as an operation check.

Operation Condition

Remote controller operation	Operation condition
Lock	<ul style="list-style-type: none"> • All doors closed • OFF position warning chime is not operated.
Unlock	—

Selective Unlock Function

When an LOCK signal is sent from remote controller of Intelligent Key, all doors will be locked. When an UNLOCK signal is sent from remote controller of Intelligent Key once, driver's door will be unlocked. Then, if an UNLOCK signal is sent from remote controller of Intelligent Key again within 5 seconds, all other door will be unlocked.

Hazard and Horn Reminder

When doors are locked or unlocked by remote controller of Intelligent Key, Intelligent Key unit sends hazard and horn request signal to BCM via CAN communication line. BCM flashes hazard warning lamps as a reminder and sends horn chirp signal to IPDM E/R. IPDM E/R sounds horn as a reminder. The hazard and horn reminder has a horn chirp mode (C mode) and a non-horn chirp mode (S mode).

INTELLIGENT KEY SYSTEM

Operating function of hazard and horn reminder

	C mode		S mode	
	Lock	Unlock	Lock	Unlock
Remote controller of Intelligent Key operation				
Hazard warning lamp flash	Twice	Once	Twice	—
Horn sound	Once	—	—	—

Hazard and horn reminder does not operate if any door switch is ON (any door is OPEN).

How to change hazard and horn reminder mode

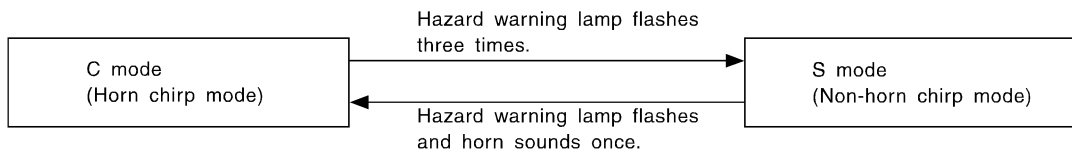
Ⓟ With CONSULT-II

Hazard and horn reminder can be changed using “HORN WITH KEYLESS LOCK” and “HAZARD ANSWER BACK” mode in “WORK SUPPORT”.

Refer to [BL-126, "WORK SUPPORT"](#) .

ⓧ Without CONSULT-II

When LOCK and UNLOCK signals are sent from the remote controller of Intelligent Key for more than 2 seconds at the same time, the hazard and horn reminder mode is changed and hazard warning lamp flashes and horn sounds as follows:



SEL153WA

Auto Door Lock Function

When all doors are locked, ignition knob switch is OFF (when ignition switch is not pressed) and key switch is OFF (when mechanical key is not inserted in key cylinder), doors are unlocked with remote controller of Intelligent Key. When Intelligent Key unit does not receive the following signals within 30 seconds, all doors are locked.

- Door switch is ON (door is opened)
- Door is locked
- Ignition knob switch is ON (ignition switch is pressed)
- Key switch is ON (mechanical key is inserted in key cylinder)

Auto door lock mode can be changed by “AUTO RELOCK TIMER” mode in “WORK SUPPORT”. Refer to [BL-126, "WORK SUPPORT"](#) .

Panic Alarm Function

When ignition knob switch is OFF (when ignition switch is not pressed) and key switch is OFF (when mechanical key is not inserted in key cylinder), Intelligent Key unit receives PANIC ALARM signal from remote controller of Intelligent Key.

Intelligent Key unit sends alarm request signal to BCM via CAN communication line.

BCM turns on and off headlamp intermittently and sends theft warning horn signal to IPDM E/R. Then, IPDM E/R turns on and off horn intermittently.

The headlamp flashes and the horn sounds intermittently.

The alarm automatically turns off:

- After 25 seconds
- When Intelligent Key unit receives any signal from remote controller of Intelligent Key
- When door request switch is pressed (Intelligent Key is outside vehicle)

Panic alarm function mode can be changed by “PANIC ALARM DELAY” mode in “WORK SUPPORT”. Refer to [BL-126, "WORK SUPPORT"](#) .

INTELLIGENT KEY SYSTEM

Keyless Power Window Down (Open) Function

All power windows open when the unlock button on remote controller of Intelligent Key is activated and kept pressed for more than 3 seconds with the ignition switch OFF. The windows keep opening if the unlock button is continuously pressed.

The power window opening stops when the following operations are performed:

- When the unlock button is kept pressed more than 15 seconds.
- When the ignition switch is turned ON while the power window opening is operated.
- When the unlock button is released.

While retained power operation activate, Keyless power window down (open) Function cannot be operated. Keyless power window down operation mode can be changed by "P/W DOWN DELAY" mode in "WORK SUPPORT". Refer to [BL-126, "WORK SUPPORT"](#).

Room Lamp Illumination Operation

When the following conditions are met:

- Condition of interior lamp switch is in DOOR position
- Door switch OFF (when all the doors are closed)

Intelligent Key system turns on interior lamp (for 30 seconds) by receiving UNLOCK signal from remote controller of Intelligent Key. For detailed description, refer to [LT-178, "ROOM LAMP TIMER OPERATION"](#).

List of Operation Related Parts

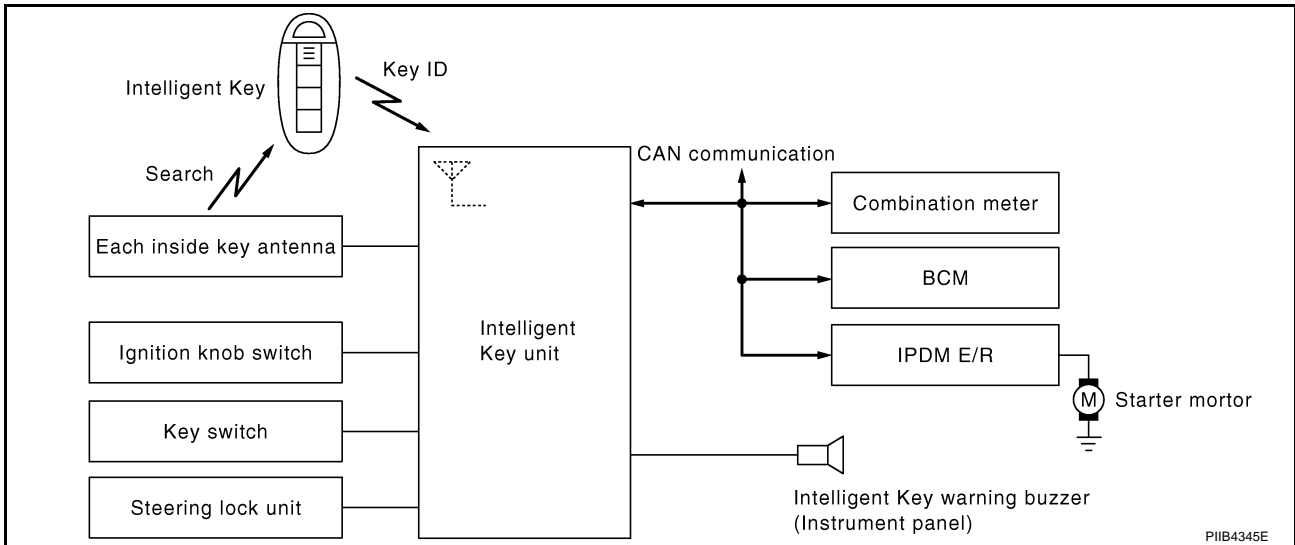
Parts marked with × are the parts related to operation.

Remote keyless entry functions	Intelligent Key	Key switch	Ignition knob switch	Door unlock sensor	Door request switch (Driver, Passenger, Back door)	Door switch	Door lock actuator	Intelligent Key warning buzzer	Intelligent Key unit	CAN communication system	BCM	Combination meter	Hazard warning lamp	Horn	IPDM E/R	Head lamp
Door lock function by the remote control button	×	×	×			×	×		×	×	×					
Hazard and horn reminder function	×							×	×	×	×	×	×	×	×	
Keyless power window down (open) function	×	×							×		×					
Auto door lock function	×	×	×			×			×	×	×					
Panic alarm function	×				×				×	×	×			×	×	×

INTELLIGENT KEY SYSTEM

ENGINE START FUNCTION

When the registered Intelligent Key is carried, the engine can be started without inserting the key.



When ignition knob switch is ON (press ignition switch), Intelligent Key unit searches Intelligent Key in the vehicle using inside key antenna.

When Intelligent Key is inside the vehicle, it performs the following operation.

- Illuminate green "KEY" warning lamp in combination meter.
- Released steering lock and ignition switch can be turned from OFF to ACC, ON or START position.

NOTE:

If Intelligent Key is not registered, "KEY" warning lamp in combination meter illuminate red.

- Intelligent Key sends engine start signal via CAN communication line.

When ignition switch turns to START position, BCM sends starter request signal to IPDM E/R. Then, engine starts.

Even if Intelligent Key battery runs down, Intelligent key unit can start engine with mechanical key built Intelligent Key. For details, refer to [BL-234, "NVIS \(NISSAN VEHICLE IMMOBILIZER SYSTEM-NATS\)"](#).

All of the originally supplied Intelligent Key IDs (except for key) have been registered in Intelligent Key system. If requested by the vehicle owner, a maximum of four Intelligent Key IDs can be registered into the Intelligent Key system components.

List of Operation Related Parts

Parts marked with × are the parts related to operation.

Engine start functions	Intelligent Key	Key switch	Ignition knob switch	Inside key antenna	Intelligent Key unit	CAN communication system	BCM	Combination meter	IPDM E/R	NATS antenna amp.	Steering lock unit
Engine start function by the Intelligent Key	×	×	×	×	×	×	×	×	×		×
Engine start function by the mechanical key		×			×	×	×		×	×	×

INTELLIGENT KEY SYSTEM

WARNING CHIME FUNCTION

Operation Description

The warning chimes are as follows and are given to the user as warning information and warnings using combinations of Intelligent Key warning buzzer (inside and engine room), and warning lamps "KEY" and "P-SHIFT".

- Ignition switch warning chime
- Ignition key warning chime
- OFF position warning chime
- OFF position warning chime (after door closed)
- Take away warning chime
- Take away warning chime (from window)
- Door lock operation warning chime
- Intelligent Key low battery warning
- P position warning

Operation Condition

Operation	Condition	Intelligent Key warning buzzer sounds	Warning lamp illuminates
Ignition switch warning chime	<ul style="list-style-type: none"> ● Key switch is OFF. ● Ignition switch is in the ACC, OFF or LOCK position. [ignition switch is pressed (ignition knob switch is ON).] ● Driver door is open. 	Inside	—
Ignition key warning chime (When mechanical key is used)	<ul style="list-style-type: none"> ● Mechanical key is inserted in ignition switch (key switch is ON). ● Ignition switch is in the ACC, OFF or LOCK position. ● Driver door is open. 	Combination meter	—
OFF position warning chime	<ul style="list-style-type: none"> ● Ignition switch is turned from ACC to OFF. [ignition switch is pressed (ignition knob switch is ON).] ● Ignition switch is in the LOCK position and pressed for 1 second. 	Inside	—
OFF position warning chime (after door closed)	When driver door is opened and then closed while the OFF position warning chime above is operating.	Engine room	—
Take away warning chime	<ul style="list-style-type: none"> ● Engine is running. ● Door open to close. ● Intelligent Key is not found inside vehicle. 	Engine room	"KEY" (red)
Take away warning chime (from window)	<ul style="list-style-type: none"> ● Engine is running. ● Door is closed. ● Intelligent Key is not found inside vehicle. 	Inside	"KEY" (red)

INTELLIGENT KEY SYSTEM

Operation	Condition	Intelligent Key warning buzzer sounds	Warning lamp illuminates
Door lock operation warning chime	When request switch is pushed under the following conditions <ul style="list-style-type: none"> ● All door are closed. ● Door is unlocked. ● Intelligent Key is inside vehicle. ● Ignition switch is not pressed. 	Engine room	—
	When request switch is pushed under the following conditions <ul style="list-style-type: none"> ● All door are closed. ● Door is unlocked. ● Ignition switch is pressed. ● Intelligent Key is within the detection area of operated request switch. 	Engine room	—
	When request switch is pushed under the following conditions <ul style="list-style-type: none"> ● Any door is opened. ● Intelligent Key is within the detection area of operated request switch. 	Engine room	—
Intelligent Key low battery warning	When Intelligent Key is low battery, Intelligent Key unit is detected after ignition switch is turned ON.	—	“KEY” (green)
P position warning	When selector lever is except for P position, ignition switch is turned from ON to OFF.	—	“P-SHIFT”

List of Operation Related Parts

Parts marked with × are the parts related to operation.

Warning and alarm functions	Intelligent Key	Key switch	Ignition knob switch	Ignition switch ACC position input signal	Ignition switch ON position input signal	Door switch	Door request switch	Inside key antenna	Outside key antenna (Door mirror, Rear door, Rear bumper)	Intelligent Key warning buzzer	Intelligent Key unit	CAN communication system	BCM	Combination meter	Park position switch
Ignition switch warning chime			×		×	×					×				
Ignition key warning chime (When mechanical key used)		×			×	×						×	×	×	
OFF position warning chime			×	×	×					×	×				
OFF position warning chime (after door close)			×	×	×	×				×	×				
Take away warning chime	×		×			×		×		×	×			×	
Take away warning chime (from window)	×		×			×		×		×	×			×	

INTELLIGENT KEY SYSTEM

Warning and alarm functions	Intelligent Key	Key switch	Ignition knob switch	Ignition switch ACC position input signal	Ignition switch ON position input signal	Door switch	Door request switch	Inside key antenna	Outside key antenna (Door mirror, Rear door, Rear bumper)	Intelligent Key warning buzzer	Intelligent Key unit	CAN communication system	BCM	Combination meter	Park position switch
Door lock operation warning chime	×		×			×	×	×	×	×	×				
Intelligent Key low battery warning	×				×			×			×			×	
P position warning					×						×			×	×

CHANGE SETTINGS FUNCTION

The settings for each function can be changed with the CONSULT-II, Display unit or Intelligent Key operation.

NOTE:

Once a function setting is changed, it will remain effective even if the battery is disconnected.

Changing Settings Using CONSULT-II

The settings for the Intelligent Key system functions can be changed using CONSULT-II (WORK SUPPORT). Refer to [BL-126, "WORK SUPPORT"](#).

Changing Settings Using Display Unit

The settings of the Intelligent Key system can be changed, using display unit.

For detailed description, refer to [AV-112, "Vehicle Electronic Systems"](#).

Icon	Description
Selective Door Unlock	This key can switch the unlock doors of the 1st unlocking operation as follows: ON (Only the request switch pushed door) ⇔ OFF (All the doors)
Keyless Remote Response - Horn	This key changes the horn chirp mode that occurring when pushing the LOCK button on the Intelligent Key.
Keyless Remote Response - Lights	This key changes the hazard indicator flash mode occurring when pushing the LOCK or UNLOCK button on the Intelligent Key.
Auto Re-Lock Time	The length of auto door re-lock time can be set. (Setting value OFF, 1min, or 5min)
Intelligent Key Lock Response - Sound	The sound pattern of the Intelligent request switch operation can be set as desired.
Intelligent Key Unlock Response - Sound	The beep sounds when unlocking door with the Intelligent request switch can be turned on or off.
Return All Settings to Default	All settings will return to the initial conditions.

*: If you change the horn chip or the lamp flash with the key fob or the Intelligent Key, the mode may not be changed with the display. Use the key fob or the Intelligent Key to return the mode.

INTELLIGENT KEY SYSTEM

INTELLIGENT KEY REGISTRATION

Intelligent Key-ID registration is performed using the CONSULT-II.

CAUTION:

- After a new Intelligent Key-ID is registered, be sure to check the function.
- When registering an additional Intelligent Key-ID, take any Intelligent Keys already registered and Intelligent Keys for any other vehicles out of the vehicle before starting.

CONSULT-II can be used to check and delete Intelligent Key-IDs.

For future information, see the CONSULT-II Operation Manual NATS.

STEERING LOCK UNIT REGISTRATION

Steering Lock Unit ID Registration

CAUTION:

- The method for registering a steering lock unit ID depends on the status of the steering lock unit and Intelligent Key unit (new or old unit).
- After registration is completed, press ignition switch with a portable unit in the vehicle so that it can be turned, and confirm that it cannot be turned even when ignition switch is pressed without a portable unit in the vehicle.

For future information, see the CONSULT-II Operation Manual NATS.

CAN Communication System Description

AIS006BZ

CAN (Controller Area Network) is a serial communication line for real time application. It is an on-vehicle multiplex communication line with high data communication speed and excellent error detection ability. Many electronic control units are equipped onto a vehicle, and each control unit shares information and links with other control units during operation (not independent). In CAN communication, control units are connected with 2 communication lines (CAN H line, CAN L line) allowing a high rate of information transmission with less wiring. Each control unit transmits/receives data but selectively reads required data only.

CAN Communication Unit

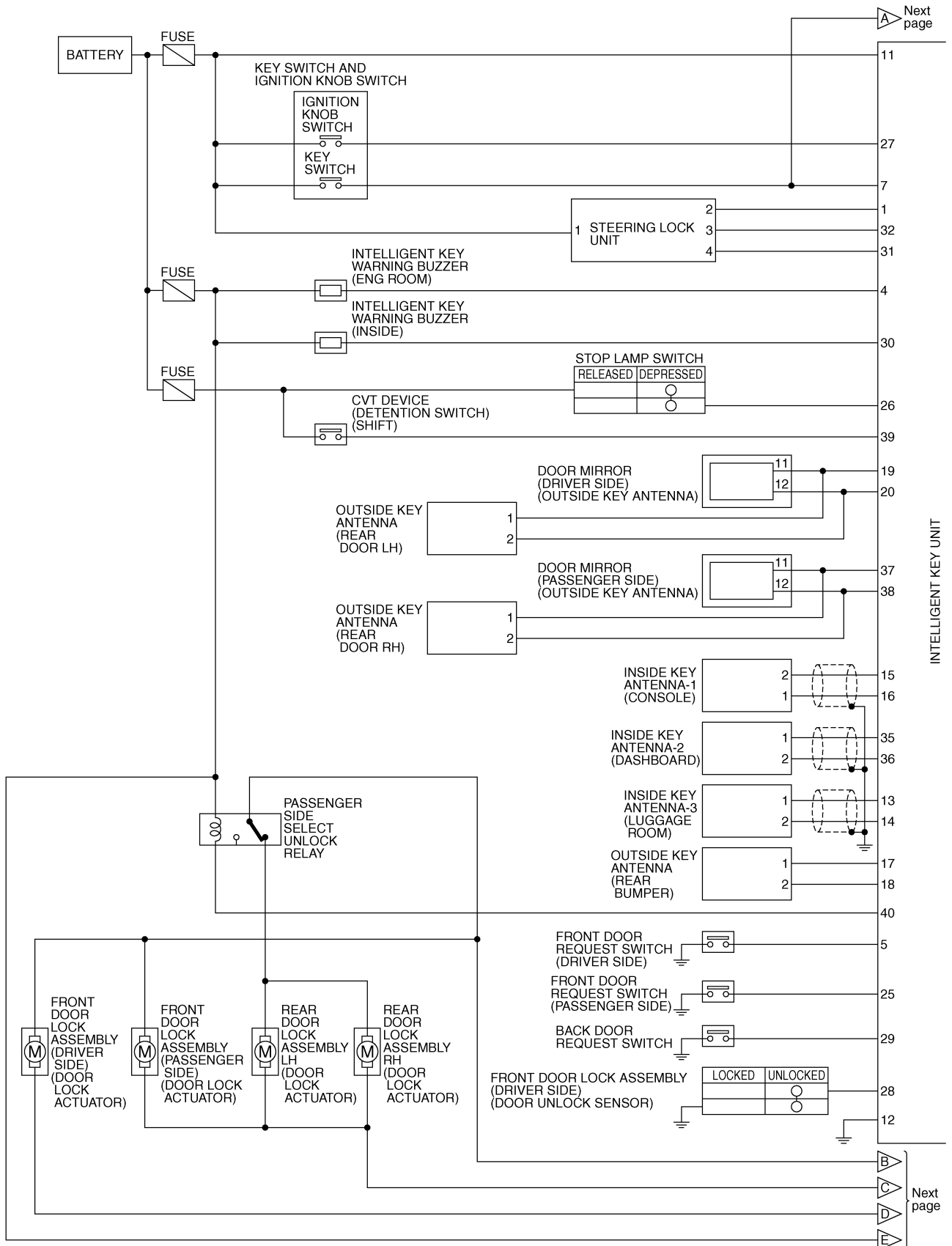
AIS006C0

Refer to [LAN-29, "CAN COMMUNICATION"](#) .

INTELLIGENT KEY SYSTEM

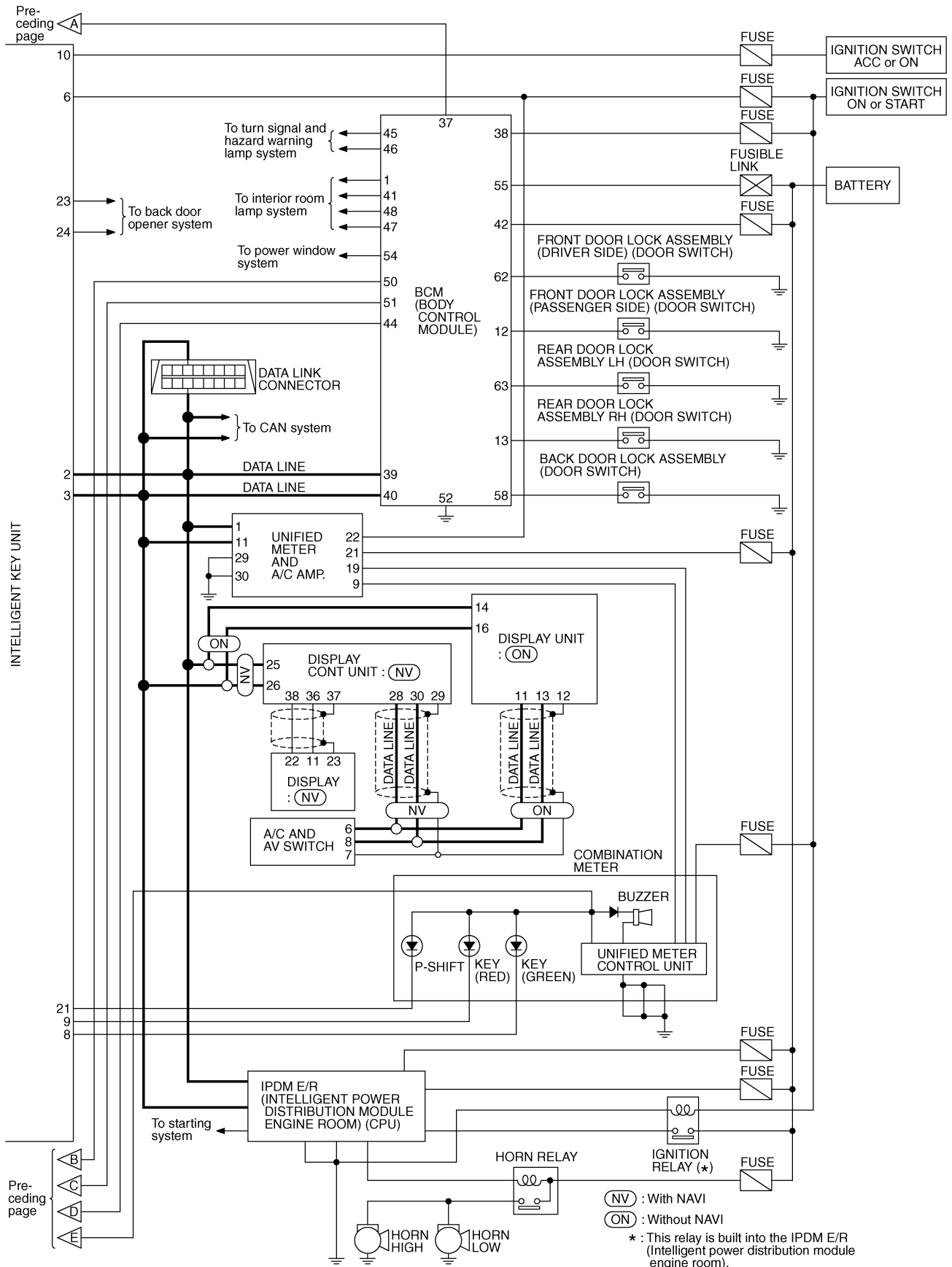
Schematic

AIS006C1



TIWB0147E

INTELLIGENT KEY SYSTEM



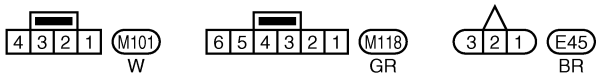
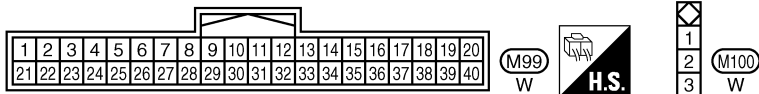
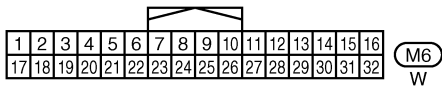
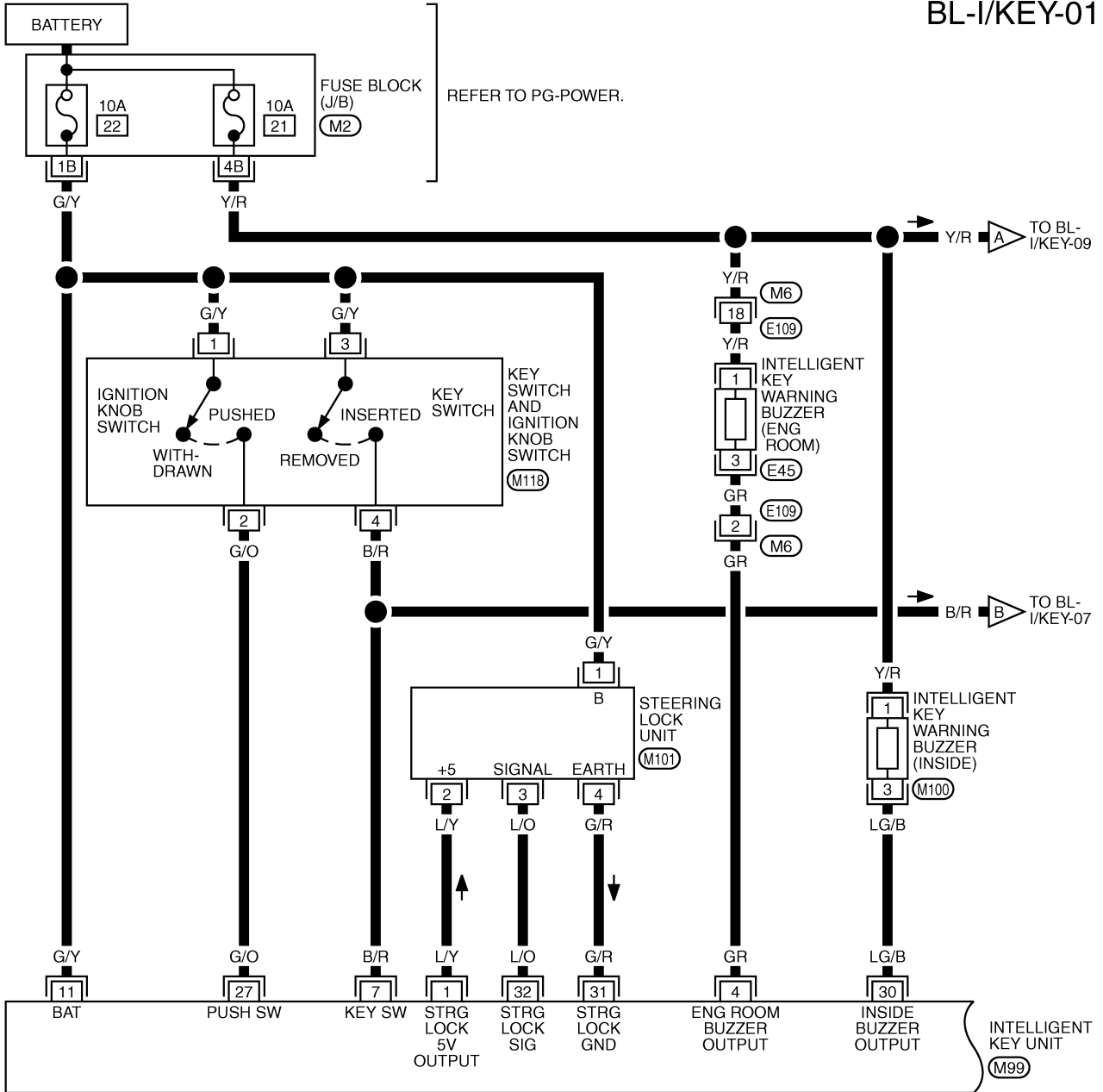
TIWB0148E

INTELLIGENT KEY SYSTEM

Wiring Diagram — I/KEY—

AIS006C2

BL-I/KEY-01



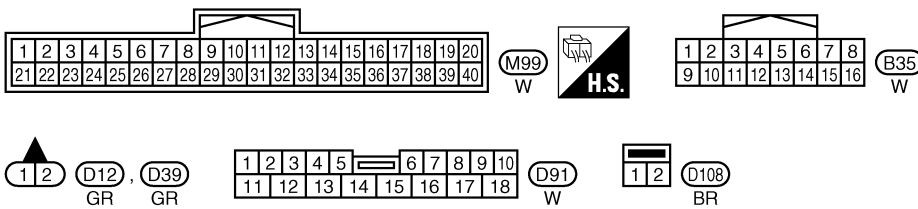
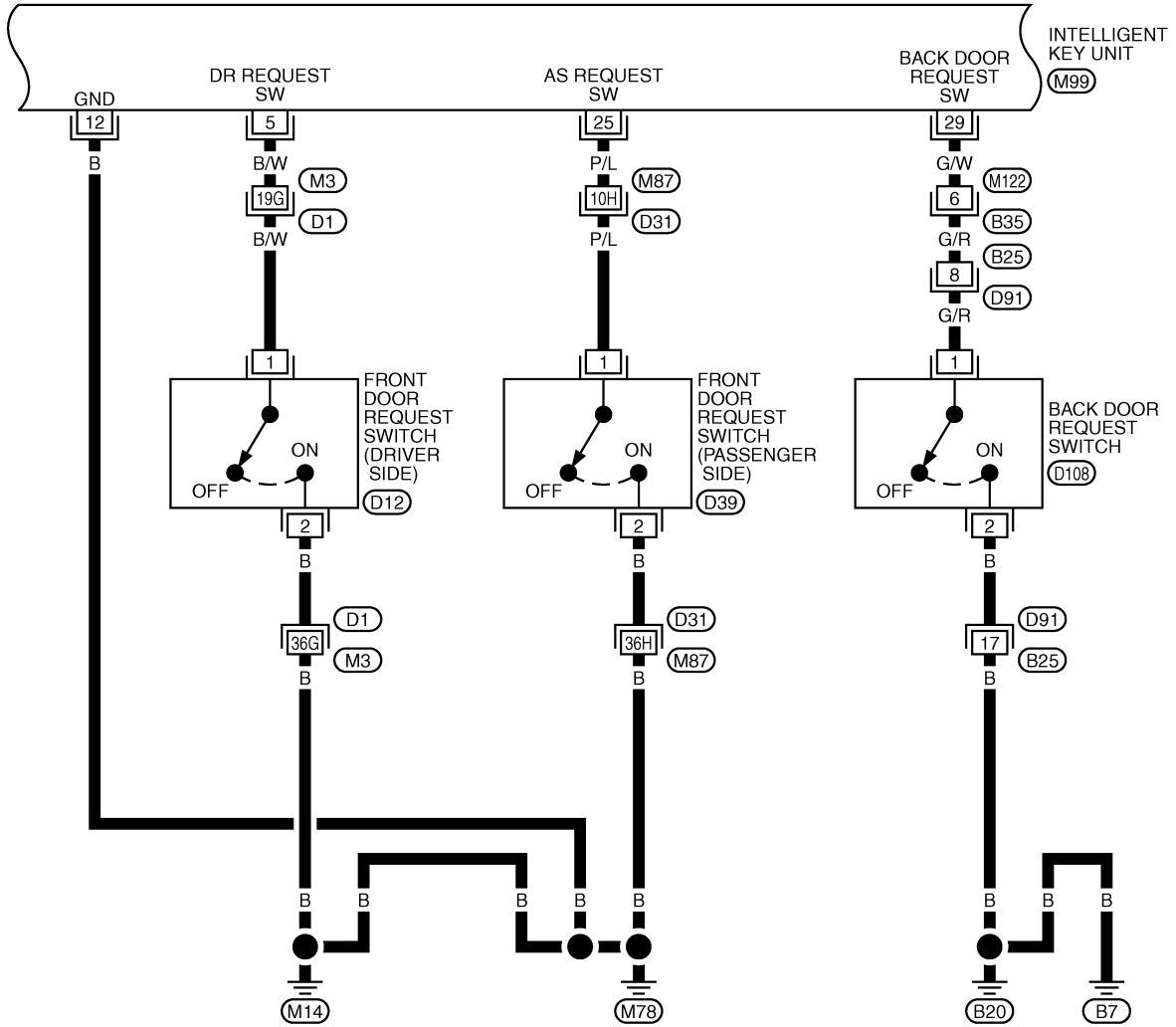
REFER TO THE FOLLOWING.

(M2) - FUSE BLOCK-JUNCTION BOX (J/B)

TIWB0149E

INTELLIGENT KEY SYSTEM

BL-I/KEY-02

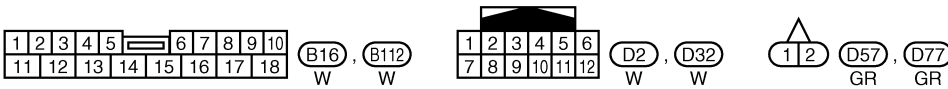
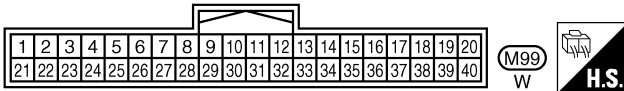
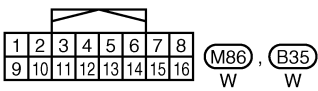
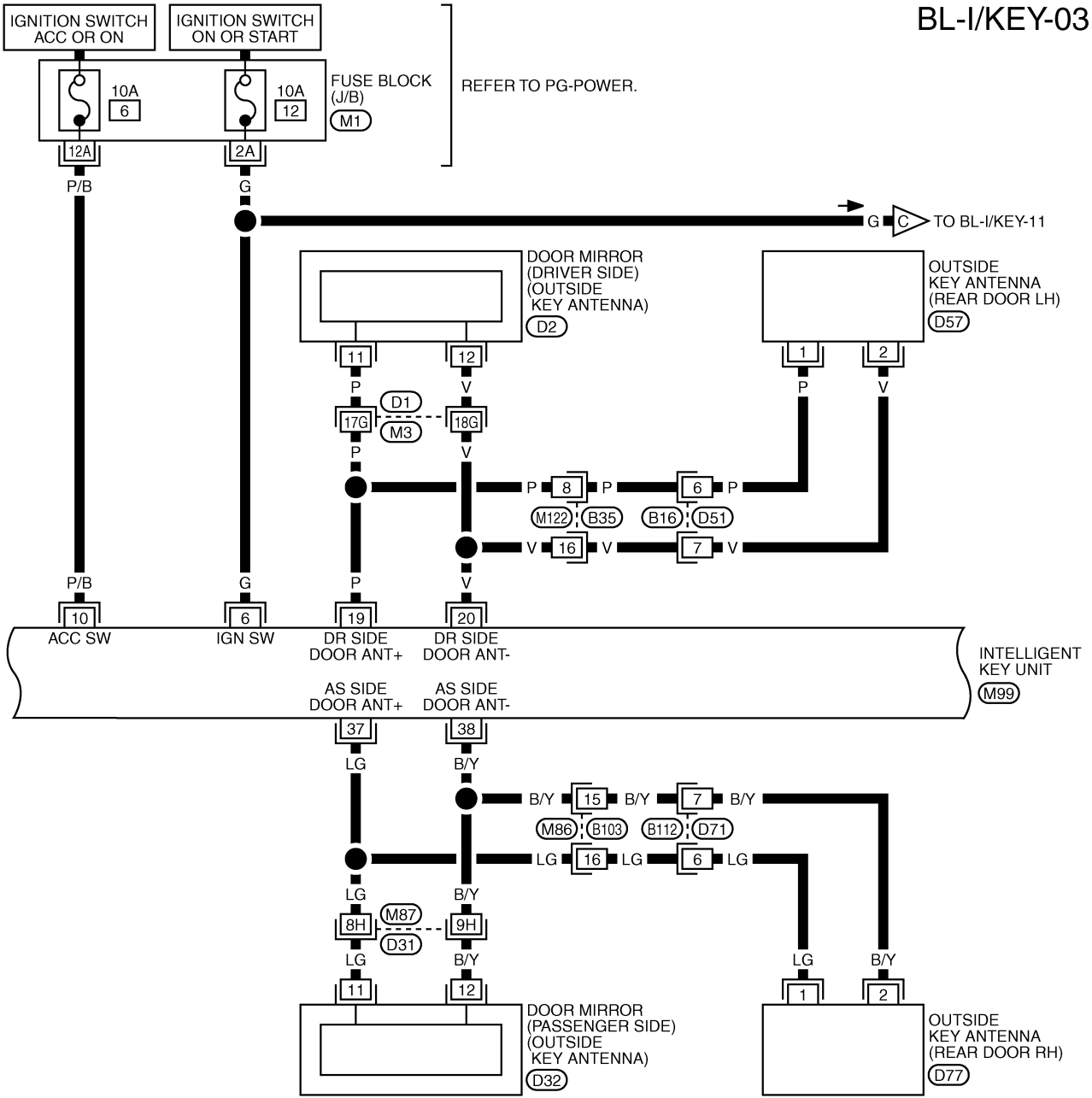


REFER TO THE FOLLOWING.
 (D1), (D31) -SUPER MULTIPLE JUNCTION (SMJ)

TIWB0150E

INTELLIGENT KEY SYSTEM

BL-I/KEY-03

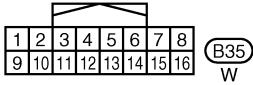
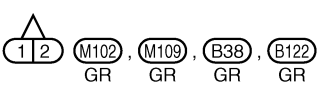
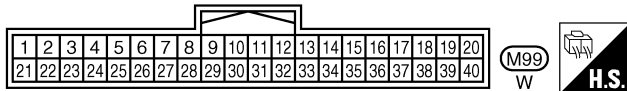
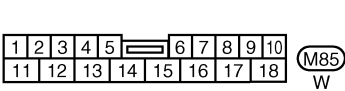
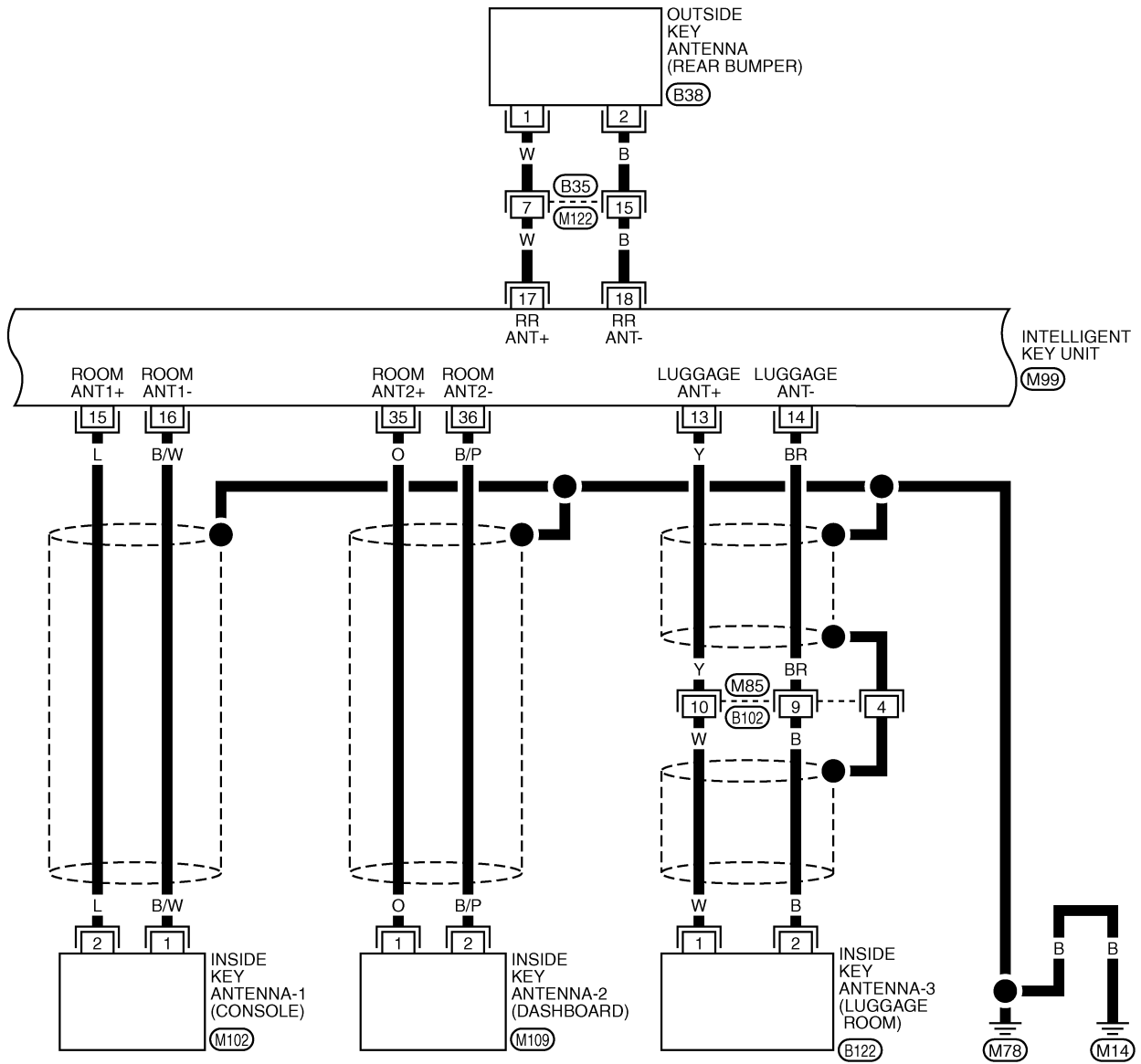


REFER TO THE FOLLOWING.
 (D1), (D31) -SUPER MULTIPLE JUNCTION (SMJ)
 (M1) -FUSE BLOCK-JUNCTION BOX (J/B)

TIWB0151E

INTELLIGENT KEY SYSTEM

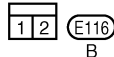
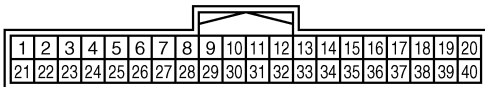
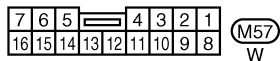
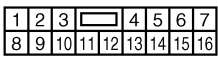
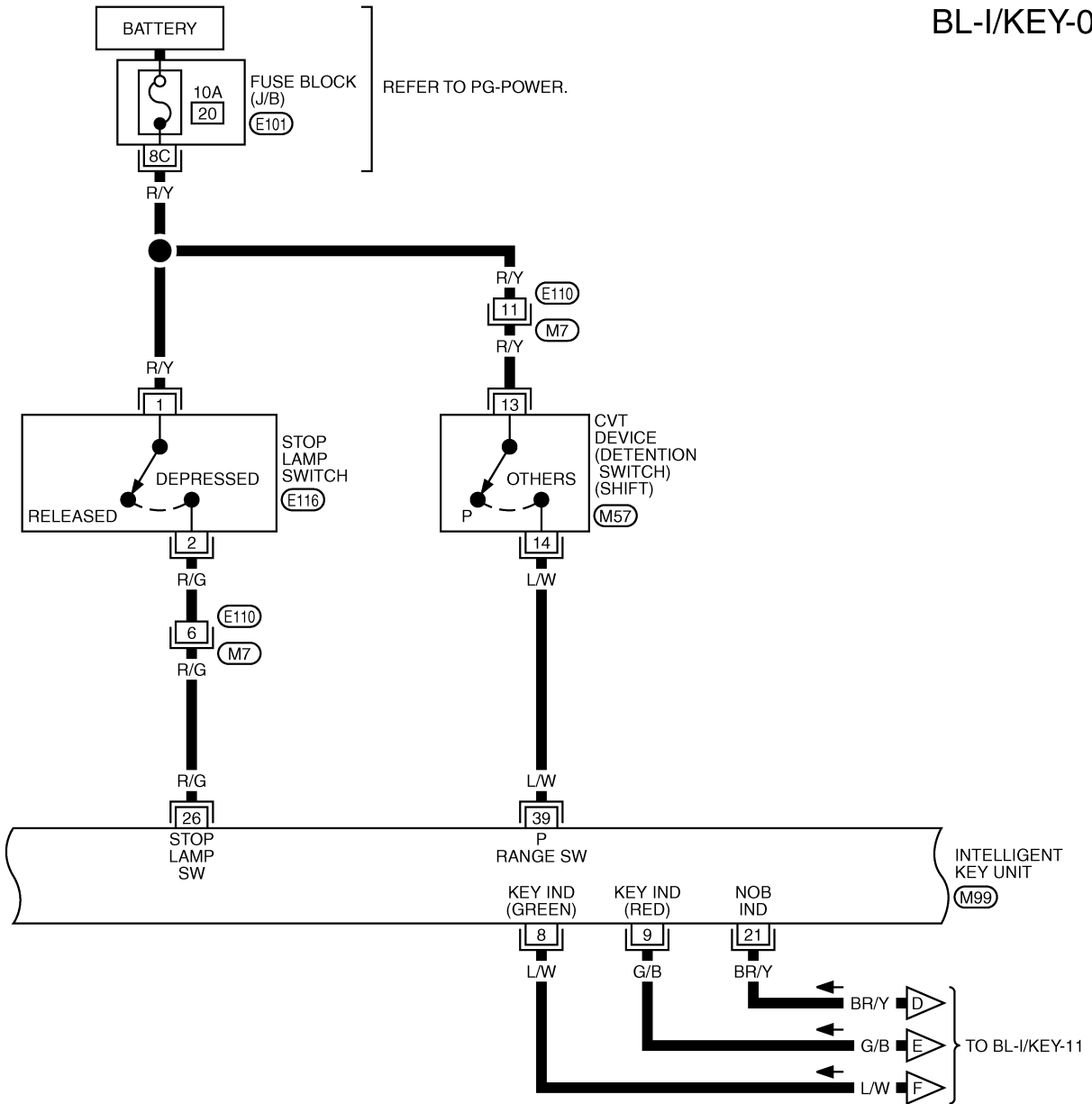
BL-I/KEY-04



TIWB0152E

INTELLIGENT KEY SYSTEM

BL-I/KEY-05



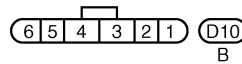
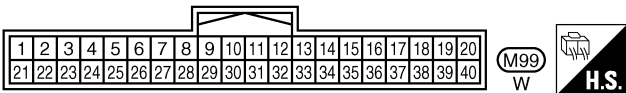
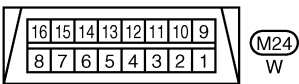
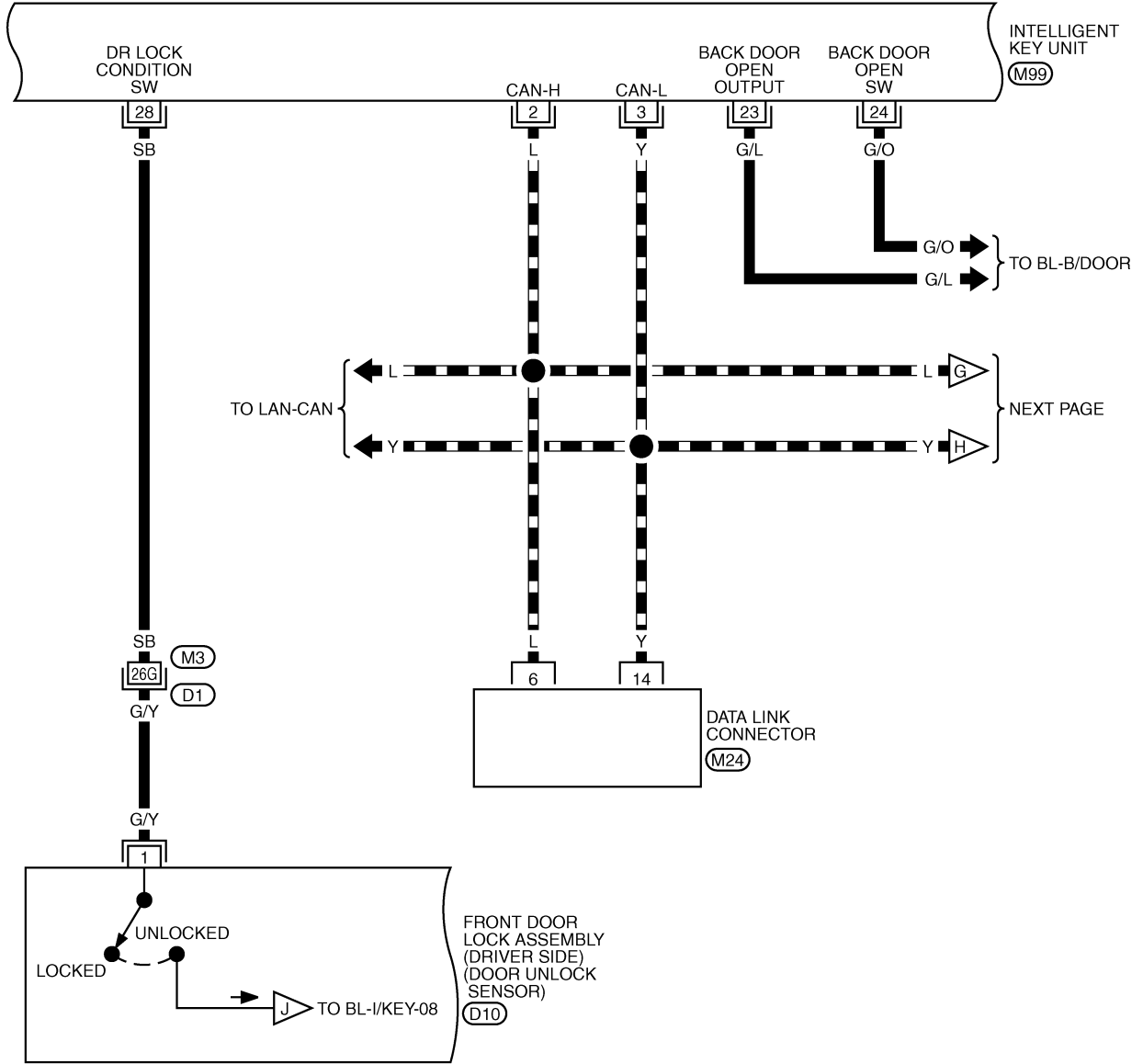
REFER TO THE FOLLOWING.
 (E101) -FUSE BLOCK-JUNCTION BOX (J/B)

TIWB0153E

INTELLIGENT KEY SYSTEM

BL-I/KEY-06

▬ : DATA LINE



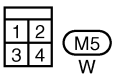
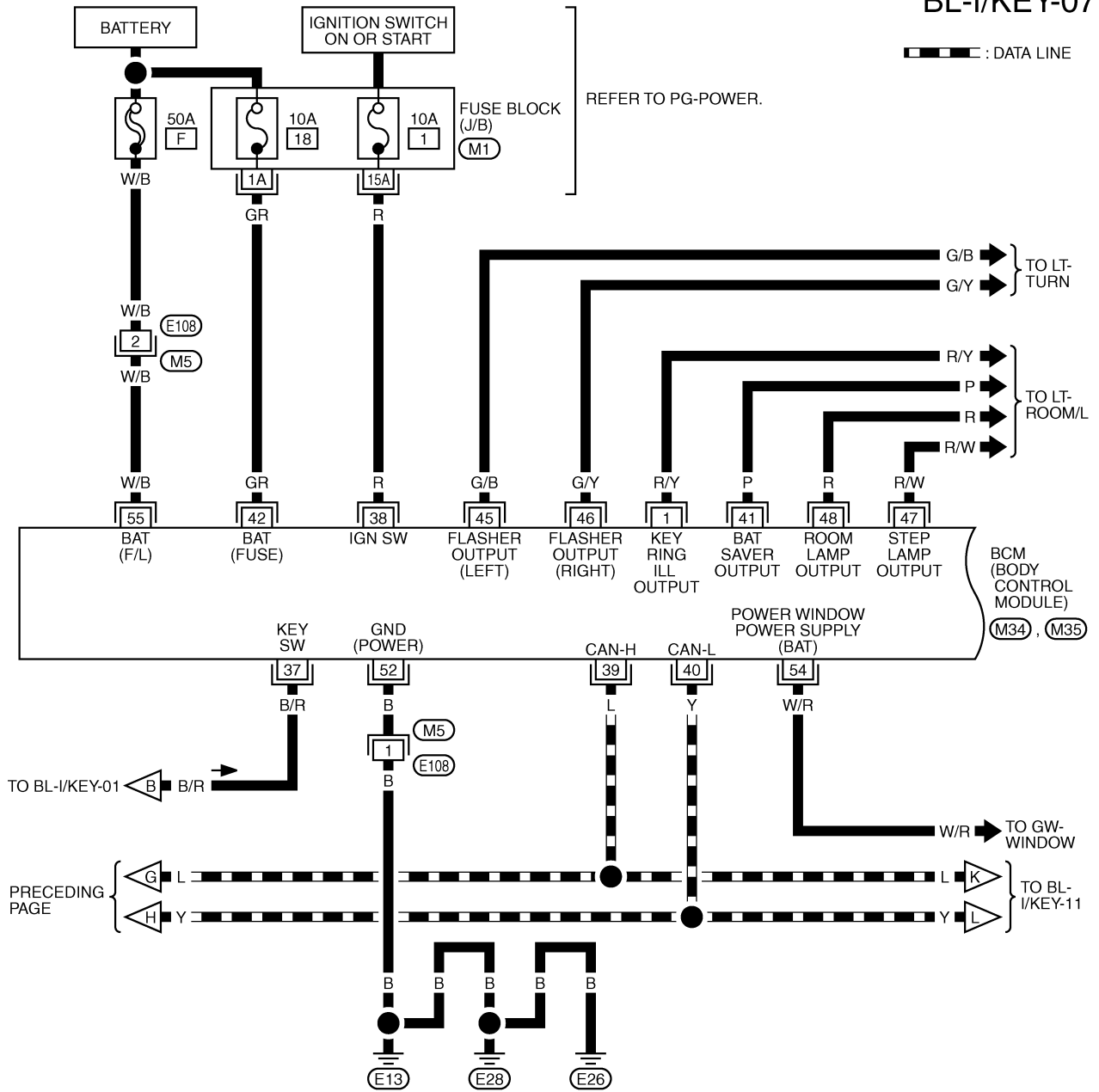
REFER TO THE FOLLOWING.

(D1) -SUPER MULTIPLE JUNCTION (SMJ)

TIWB0154E

INTELLIGENT KEY SYSTEM

BL-I/KEY-07

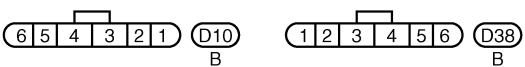
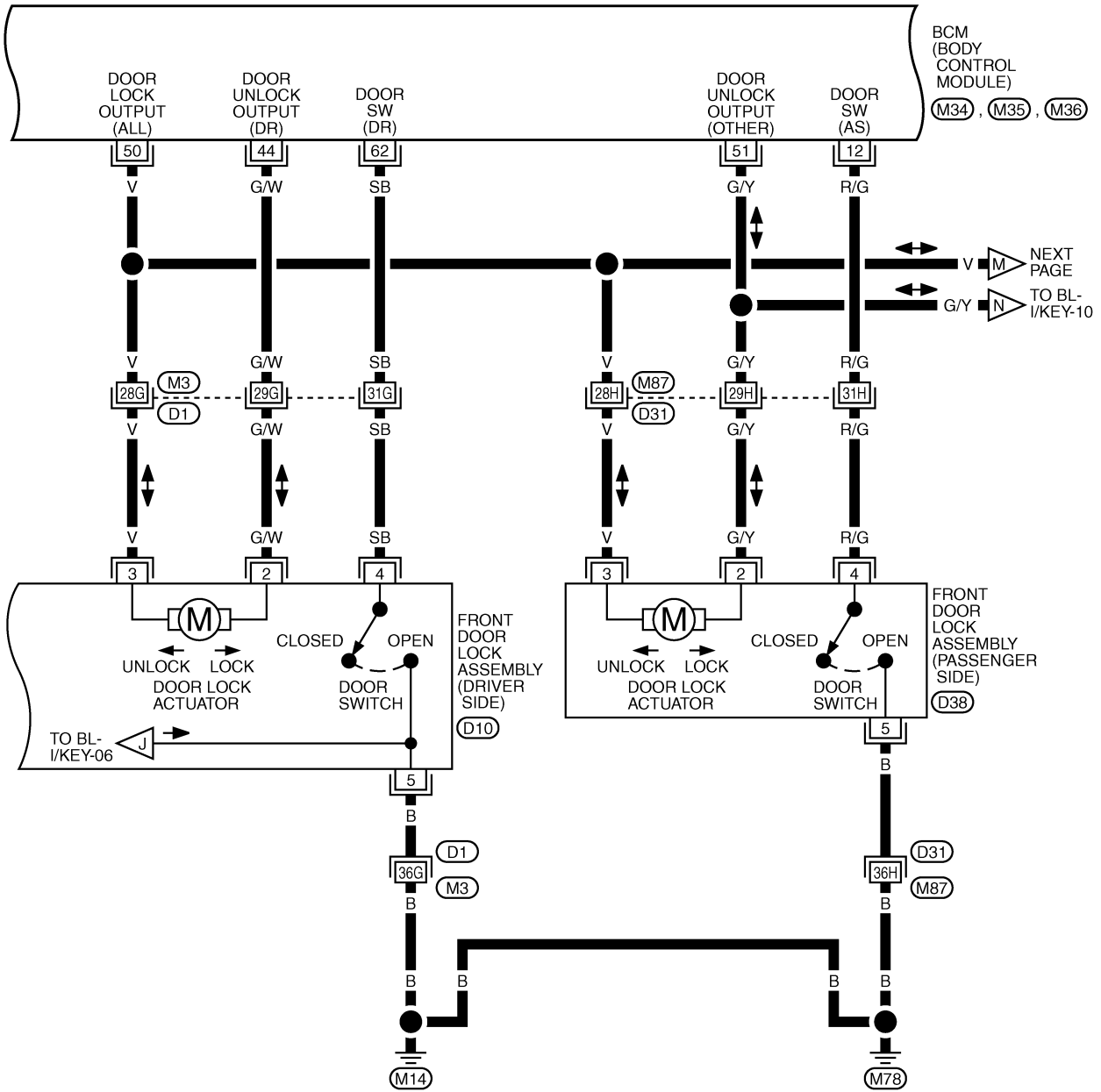


REFER TO THE FOLLOWING.
 (M1) -FUSE BLOCK-JUNCTION BOX (J/B)
 (M34), (M35) -ELECTRICAL UNITS

TIWB0155E

INTELLIGENT KEY SYSTEM

BL-I/KEY-08

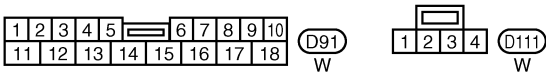
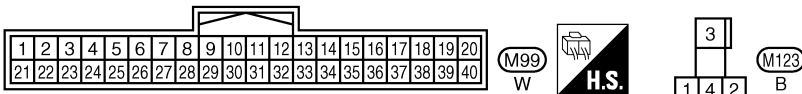
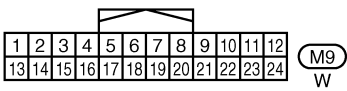
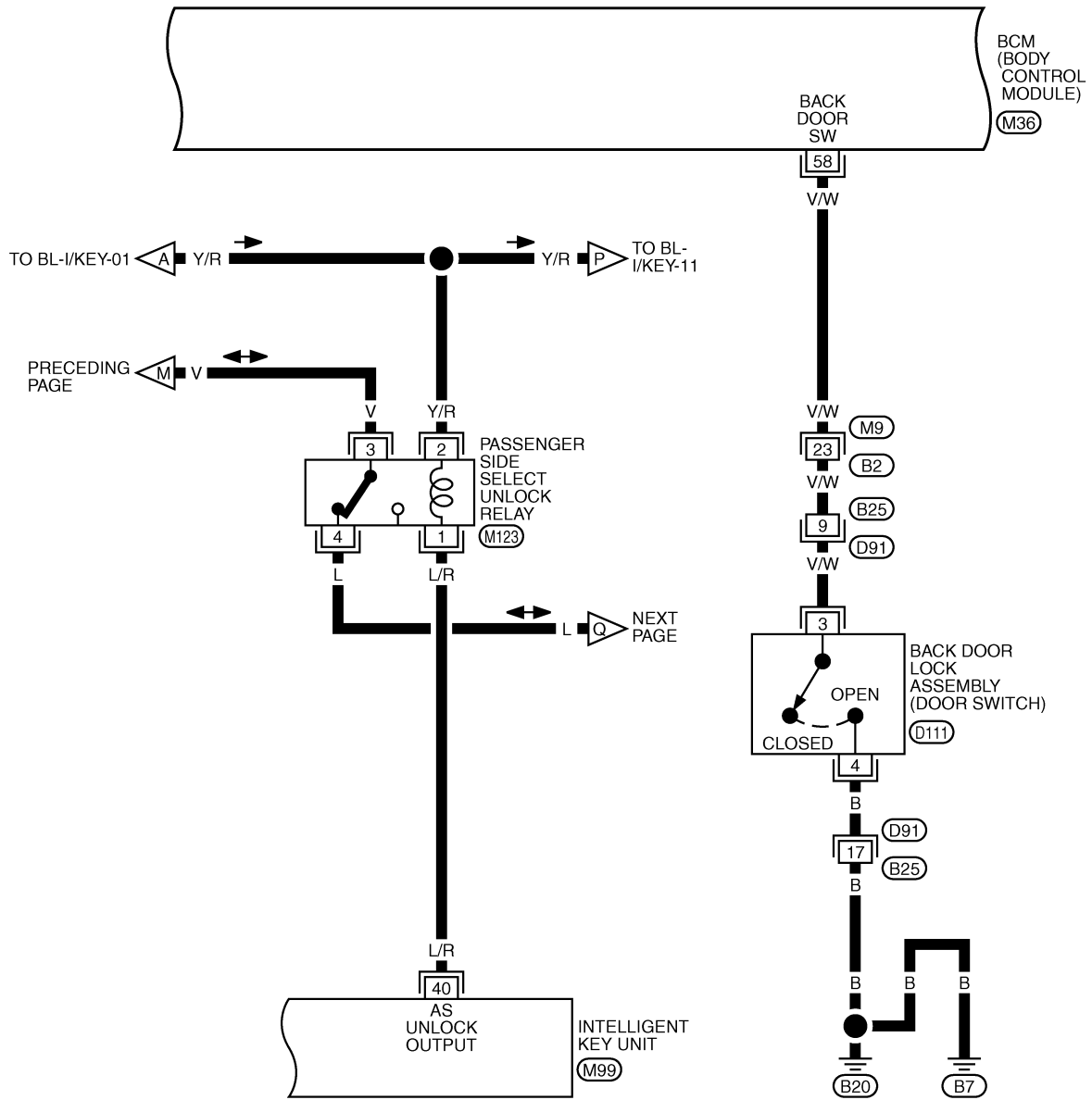


REFER TO THE FOLLOWING.
 (D1), (D31) -SUPER MULTIPLE JUNCTION (SMJ)
 (M34), (M35), (M36) -ELECTRICAL UNITS

TIWB0156E

INTELLIGENT KEY SYSTEM

BL-I/KEY-09

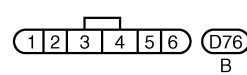
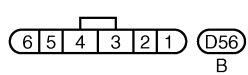
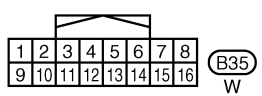
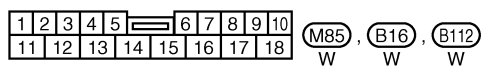
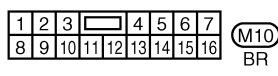
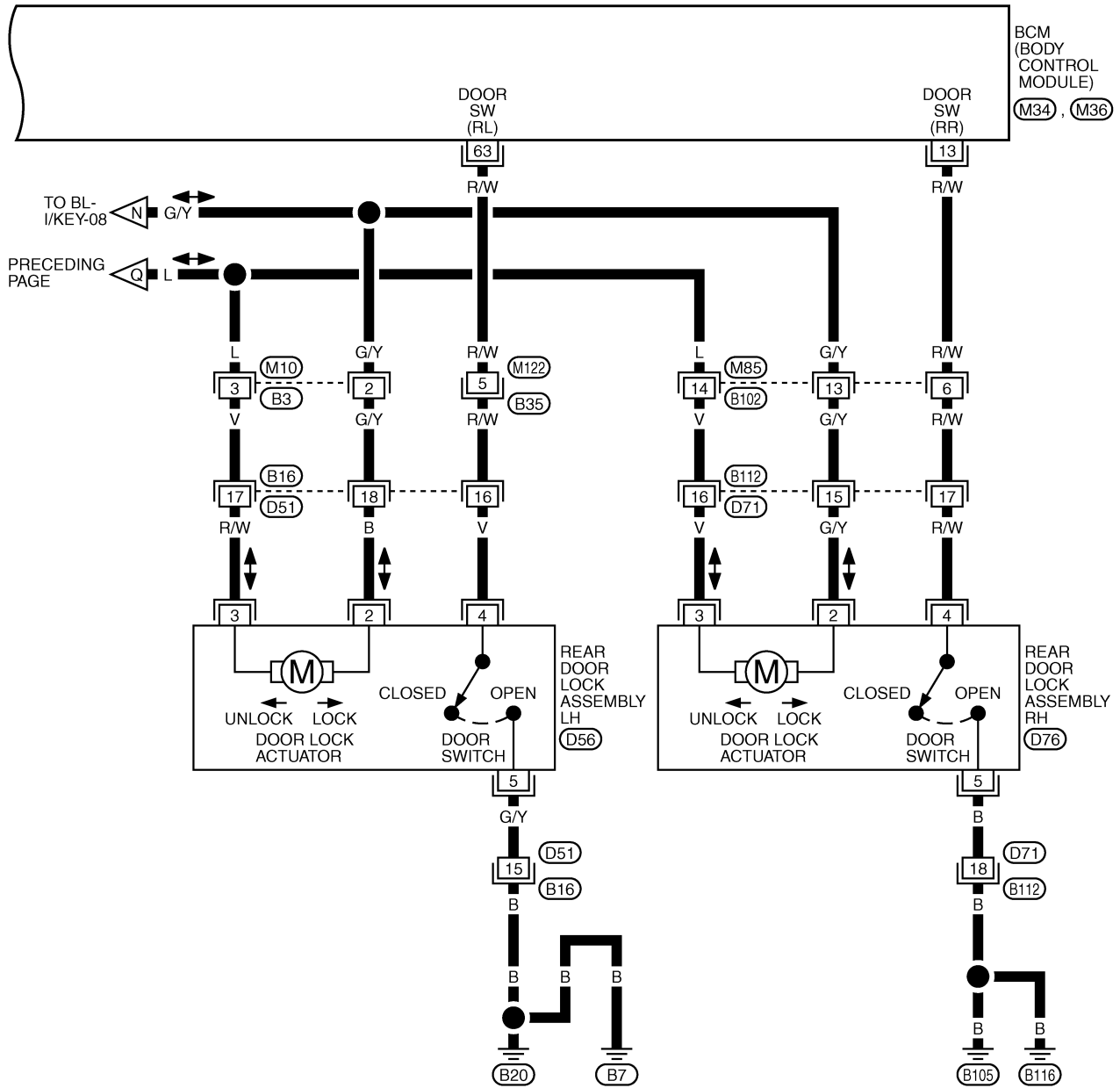


REFER TO THE FOLLOWING.
 (M36) -ELECTRICAL UNITS

TIWB0157E

INTELLIGENT KEY SYSTEM

BL-I/KEY-10

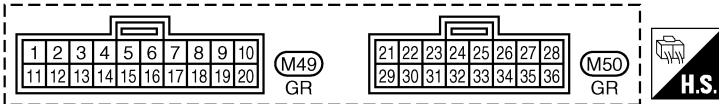
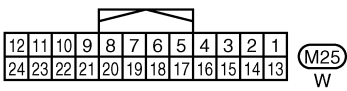
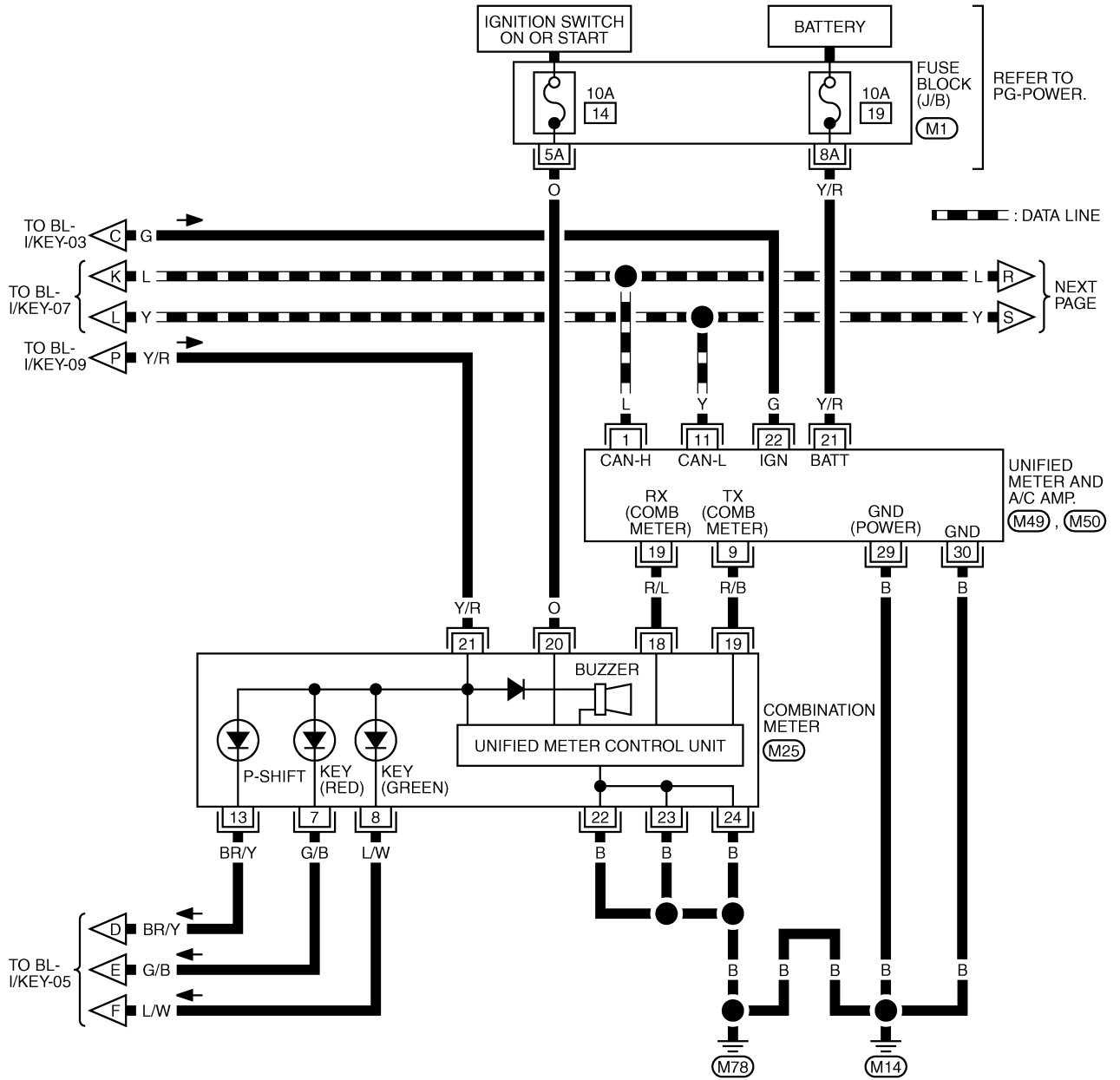


REFER TO THE FOLLOWING.
(M34), (M36) -ELECTRICAL UNITS

TIWB0158E

INTELLIGENT KEY SYSTEM

BL-I/KEY-11

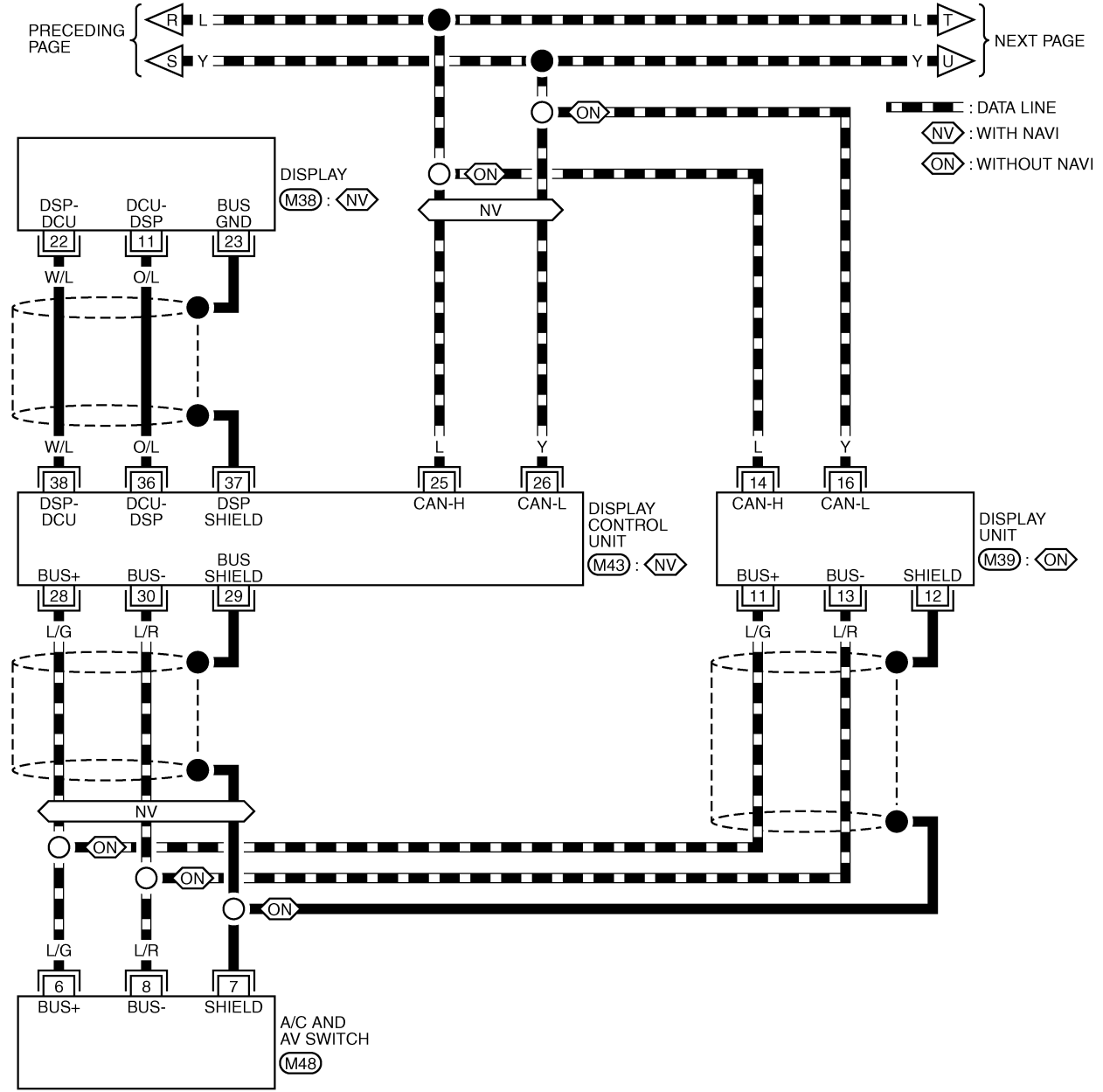


REFER TO THE FOLLOWING.
 (M1) - FUSE BLOCK-JUNCTION BOX (J/B)

TIWB0159E

INTELLIGENT KEY SYSTEM

BL-I/KEY-12



1	2	3	4	5	6	7	8	9	10	11	12
13	14	15	16	17	18	19	20	21	22	23	24

(M38)
W

24	22	20	18	16	14	12	10	8	6	4	2
23	21	19	17	15	13	11	9	7	5	3	1

(M39)
W

56	54	52	50	48	46	44	42	40	38	36	34	32	30	28	26
55	53	51	49	47	45	43	41	39	37	35	33	31	29	27	25

(M43)
W

16	14	12	10	8	6	4	2
15	13	11	9	7	5	3	1

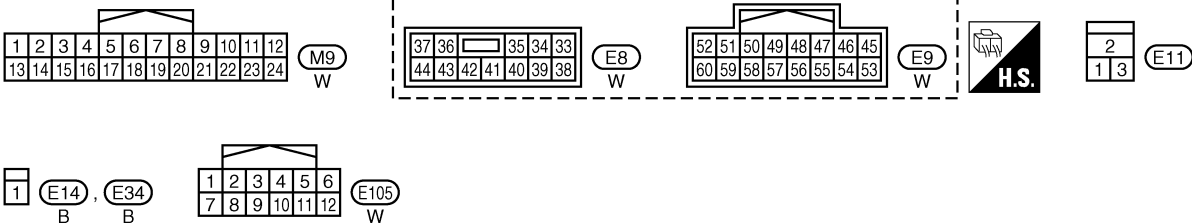
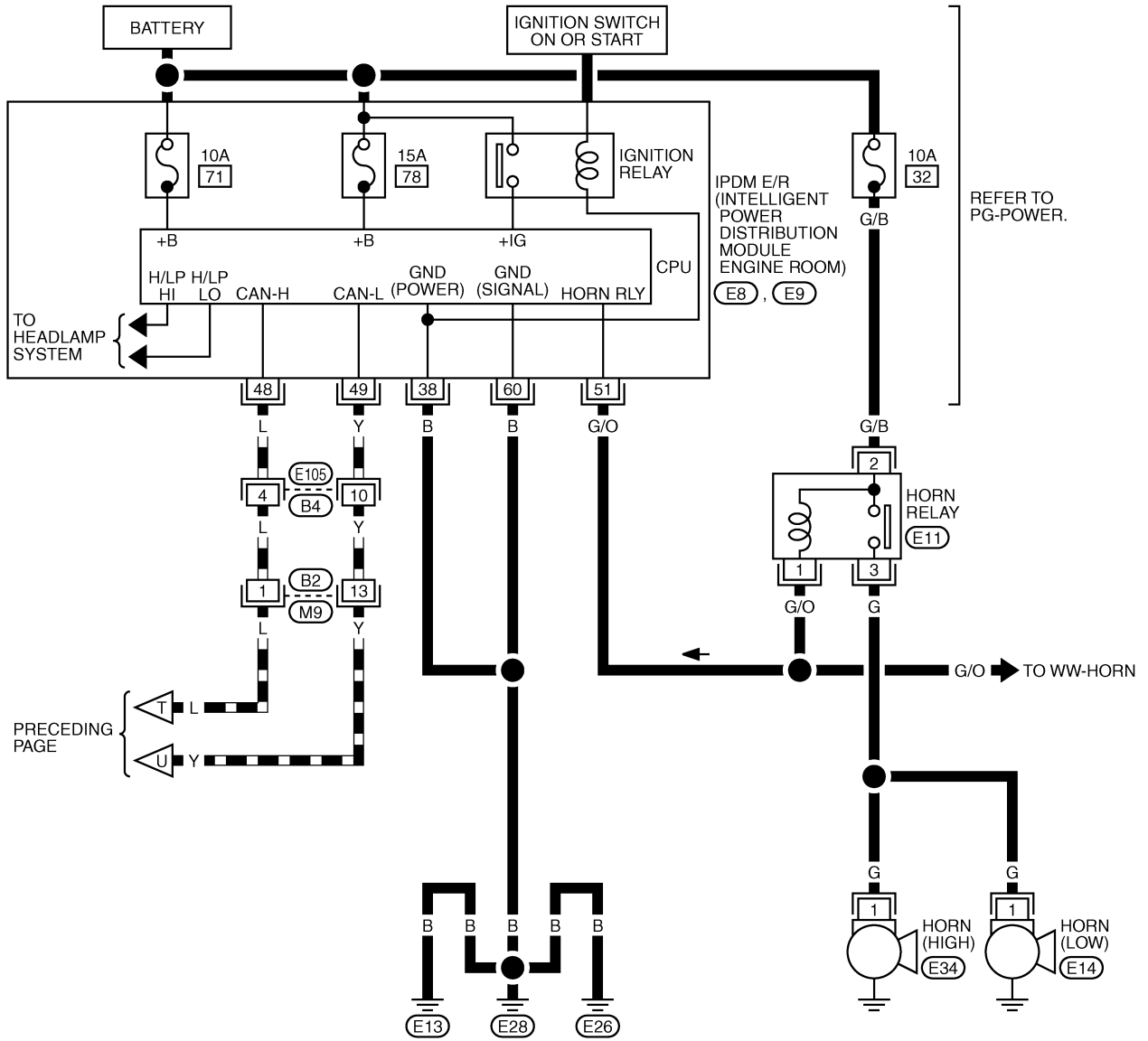
(M48)
W

TIWB0160E

INTELLIGENT KEY SYSTEM

BL-I/KEY-13

▬ : DATA LINE

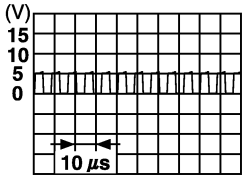
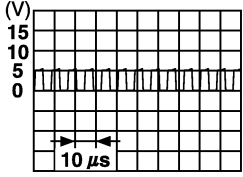
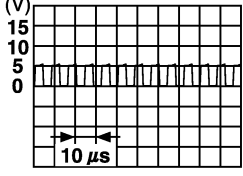


TIWB0161E

INTELLIGENT KEY SYSTEM

Terminals and Reference Value for Intelligent Key Unit

AIS006C3

Terminal	Wire Color	Item	Condition		Voltage (V) Approx.	
			Ignition Switch Position	Operation or Conditions		
1	L/Y	Steering lock unit power supply	LOCK	—	5	
2	L	CAN-H	—	—	—	
3	Y	CAN-L	—	—	—	
4	GR	Intelligent Key warning buzzer (engine room)	LOCK	Operate door request switch.	Buzzer OFF	Battery voltage
					Sound buzzer	0
5	B/W	Front door request switch (driver side)	—	Press front door request switch (driver side).		0
				Other than above		5
6	G	Ignition switch (ON)	ON	—	Battery voltage	
7	B/R	Key switch	LOCK	Insert mechanical key into ignition key cylinder.		Battery voltage
				Remove mechanical key from ignition key cylinder.		0
8	L/W	KEY indicator (green)	LOCK	When Intelligent Key is inside vehicle, press ignition knob switch.		0
				Ignition knob switch OFF		Battery voltage
9	G/B	KEY warning lamp (red)	LOCK	When Intelligent Key is outside vehicle, press ignition knob switch.		0
				Ignition knob switch OFF		Battery voltage
10	P/B	Ignition switch (ACC)	ACC	—	Battery voltage	
11	G/Y	Power source (Fuse)	—	—	Battery voltage	
12	B	Ground	—	—	0	
13	Y	Inside key antenna (+) signal (Luggage room)	LOCK	Press ignition knob switch: ON (Ignition knob switch)		
14	BR	Inside key antenna (-) signal (Luggage room)				
15	L	Inside key antenna (+) signal (Console)	LOCK	Press ignition knob switch: ON (Ignition knob switch)		
16	B/W	Inside key antenna (-) signal (Console)				
17	W	Outside key antenna (Rear bumper) (+) signal	LOCK	Press back door opener request switch.		
18	B	Outside key antenna (Rear bumper) (-) signal				

SIIA1910J

SIIA1910J

SIIA1910J

INTELLIGENT KEY SYSTEM

Terminal	Wire Color	Item	Condition		Voltage (V) Approx.
			Ignition Switch Position	Operation or Conditions	
19	P	Driver side door antenna (+) signal	LOCK	Press door request switch (driver side).	<p style="text-align: right; font-size: small;">SIIA1910J</p>
20	V	Driver side door antenna (-) signal			
21	BR/Y	"P-SHIFT" warning lamp	ON	Within 2 seconds after ignition knob switch is turned ON	0
				Other than above	Battery voltage
25	P/L	Front door request switch (passenger side)	—	Press front door request switch (passenger side).	0
				Other than above	5
26	R/G	Stop lamp switch	—	Depress brake pedal.	Battery voltage
				Other than above	0
27	G/O	Ignition knob switch	—	Press ignition switch.	Battery voltage
				Return ignition switch to LOCK position.	0
28	SB	Door unlock sensor (driver side)	—	Door (driver side) is locked.	5
				Door (driver side) is unlocked.	0
29	G/W	Back door request switch	—	Press back door request switch.	0
				Other than above	5
30	LG/B	Intelligent key warning buzzer (inside)	ACC	Driver's door open (sounds buzzer)	0
				Driver's door close (buzzer OFF)	Battery voltage
31	G/R	Steering lock unit ground	—	—	0
32	L/O	Steering lock unit communication signal	LOCK	When Intelligent Key is inside vehicle, press ignition knob switch.	<p style="text-align: right; font-size: small;">SIIA1911J</p>
				Other than above	5
35	O	Inside key antenna (+) signal (Dashboard)	LOCK	Press ignition knob switch: ON (Ignition knob switch)	<p style="text-align: right; font-size: small;">SIIA1910J</p>
36	B/P	Inside key antenna (-) signal (Dashboard)			
37	LG	Passenger side door antenna (+) signal	LOCK	Press door request switch (passenger side).	<p style="text-align: right; font-size: small;">SIIA1910J</p>
38	B/Y	Passenger side door antenna (-) signal			

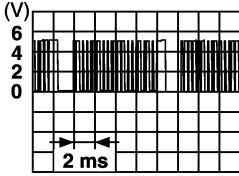
A
B
C
D
E
F
G
H
BL
J
K
L
M

INTELLIGENT KEY SYSTEM

Terminal	Wire Color	Item	Condition		Voltage (V) Approx.
			Ignition Switch Position	Operation or Conditions	
39	L/W	P range switch	—	Selector lever is in "P" position.	0
				Other than above	5
40	L/R	Assist select unlock output	—	Press door request switch (passenger side).	Battery voltage → 0 → Battery voltage
				Other than above	Battery voltage

Terminals and Reference Value for Steering Lock Unit

AIS006C4

Terminal	Wire Color	Signal Designation	Condition		Voltage (V) Approx.
			Ignition Switch Position	Operation or Conditions	
1	G/Y	Power source (Fuse)	LOCK	—	Battery voltage
2	L/Y	Steering lock unit power supply	LOCK	—	5
3	L/O	Steering lock unit communication signal	LOCK	When Intelligent Key is inside vehicle, press ignition knob switch.	
				Other than the above	5
4	G/R	Steering lock unit ground	—	—	0

SIIA1911J

Terminals and Reference Value for BCM

AIS006C5

Terminal	Wire Color	Item	Condition	Voltage (V) Approx.
12	R/G	Front door switch passenger side	Door open (ON) → Close (OFF)	0 → Battery voltage
13	R/W	Rear door switch RH	Door open (ON) → Close (OFF)	0 → Battery voltage
37	B/R	Key switch	Insert mechanical key from ignition key cylinder.	Battery voltage
			Remove mechanical key into ignition key cylinder.	0
38	R	Ignition switch (ON)	Ignition switch is in ON or START position.	Battery voltage
39	L	CAN-H	—	—
40	Y	CAN-L	—	—
42	GR	Power source	—	Battery voltage
44	G/W	Driver side door lock actuator (unlock)	Door lock/ unlock switch (Free → Unlock)	0 → Battery voltage → 0
50	V	All door lock actuator (lock)	Door lock/ unlock switch (Free → Lock)	0 → Battery voltage → 0
51	G/Y	Passenger and rear doors lock actuator (unlock)	Door lock/ unlock switch (Free → Unlock)	0 → Battery voltage → 0
52	B	Ground	—	0
55	W/B	Power source (Fusible link)	—	Battery voltage

INTELLIGENT KEY SYSTEM

Terminal	Wire Color	Item	Condition	Voltage (V) Approx.
58	V/W	Back door switch	Back door open (ON) → Close (OFF)	0 → Battery voltage
62	SB	Front door switch driver side	Door open (ON) → Close (OFF)	0 → Battery voltage
63	R/W	Rear door switch LH	Door open (ON) → Close (OFF)	0 → Battery voltage

Terminals and Reference Value for IPDM E/R

AIS006C6

Terminal	Wire Color	Item	Condition	Voltage (V) Approx.	
38	B	Ground	—	0	
48	L	CAN-H	—	—	
49	Y	CAN-L	—	—	
51	G/O	Horn relay	Press panic alarm bottom.	Horn sounds.	0
				Horn does not sound.	Battery voltage
60	B	Ground	—	0	

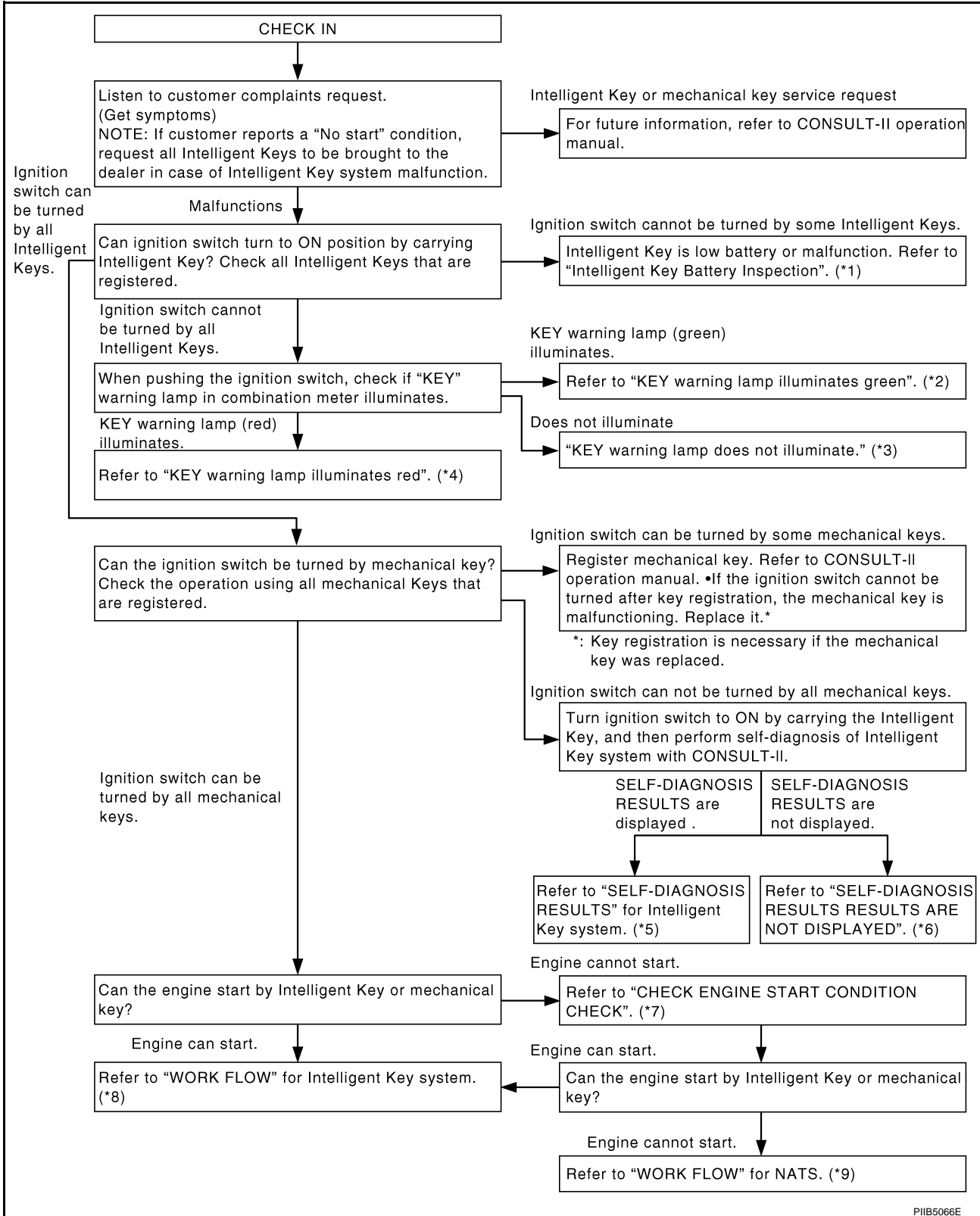
A
B
C
D
E
F
G
H
J
K
L
M

BL

INTELLIGENT KEY SYSTEM

AIS006C7

Trouble Diagnosis Procedure PRELIMINALY CHECK



PIIB5066E

*1: [BL-169](#)

*2: [BL-128](#)

*3: [BL-129](#)

*4: [BL-128](#)

*5: [BL-125](#)

*6: [BL-129](#)

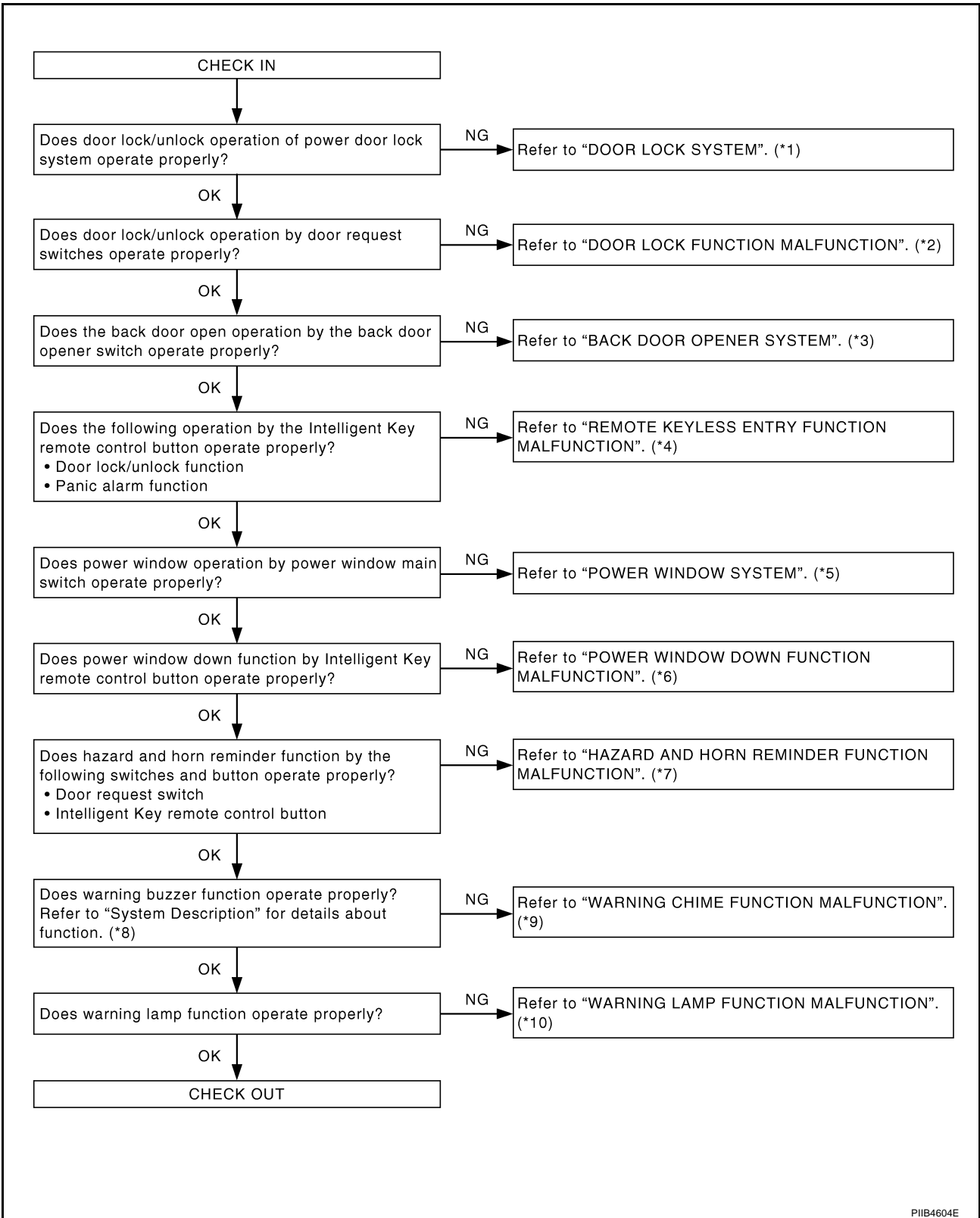
*7: [BL-129](#)

*8: [BL-123](#)

*9: [BL-245](#)

INTELLIGENT KEY SYSTEM

WORK FLOW



A
B
C
D
E
F
G
H
BL
J
K
L
M

*1: [BL-23](#)
*4: [BL-131](#)
*7: [BL-132](#)
*10: [BL-134](#)

*2: [BL-130](#)
*5: [GW-17](#)
*8: [BL-90](#)

*3: [BL-187](#)
*6: [BL-132](#)
*9: [BL-132](#)

PIIB4604E

INTELLIGENT KEY SYSTEM

CONSULT-II Functions (INTELLIGENT KEY)

AIS006C8

CONSULT-II can display each diagnostic item using the diagnostic test modes as shown below.

Part to be diagnosed	Test item, Diagnosis mode	Description
Intelligent Key	WORK SUPPORT	Changes settings for each function.
	SELF-DIAG RESULTS	Intelligent Key unit performs CAN communication diagnosis.
	DATA MONITOR	Displays Intelligent Key unit input data in real time.
	CAN DIAGNOSTIC SUPPORT MONITOR	The results of transmit/receive diagnosis of CAN Communication can be read.
	ACTIVE TEST	Operation of electrical loads can be checked by sending driving signal to them.
	ECU PART NUMBER	Displays Intelligent Key unit part No.

CONSULT-II Inspection Procedure

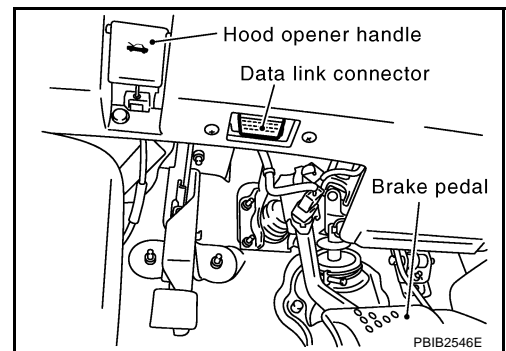
AIS006C9

CAUTION:

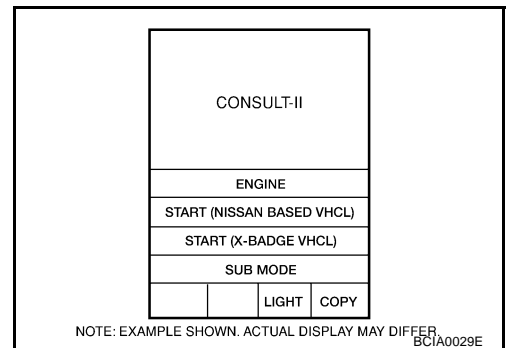
If CONSULT-II is used with no connection CONSULT-II CONVERTER, malfunctions might be detected in self-diagnosis depending on control unit which performs CAN Communication.

BASIC OPERATION

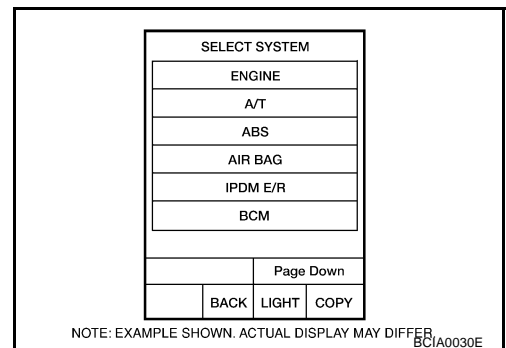
1. Turn ignition switch OFF.
2. Connect CONSULT-II CONVERTER and CONSULT-II to data link connector.



3. Use mechanical key to turn ignition switch to ON.
4. Touch "START (NISSAN BASED VHCL)".

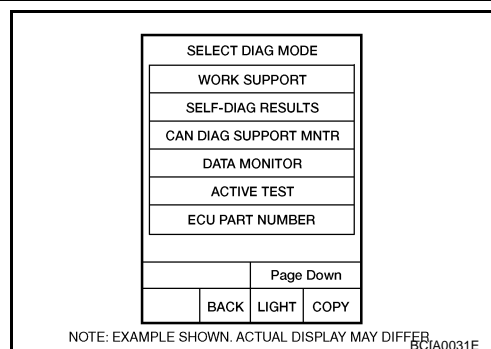


5. Touch "INTELLIGENT KEY" on "SELECT SYSTEM" screen. If "INTELLIGENT KEY" is not indicated, go to [GI-39, "CONSULT-II Data Link Connector \(DLC\) Circuit"](#).



INTELLIGENT KEY SYSTEM

6. Select diagnosis mode. "WORK SUPPORT", "SELF-DIAG RESULTS", "CAN DIAG SUPPORT MNTR", "DATA MONITOR", "ACTIVE TEST" and "ECU PART NUMBER" are available.



CONSULT-II Application Items SELF-DIAGNOSTIC RESULTS

AIS006CA

Self-diag results	Description	Diagnosis procedure	Reference page
CAN COMM	Malfunction is detected in CAN communication.	Check CAN communication system.	BL-135
CAN COMM2	Intelligent Key unit internal malfunction	Check CAN communication system.	BL-135
STRG COMM	Malfunction is detected in communication of Intelligent Key unit and steering lock unit.	Check steering lock unit.	BL-157
I-KEY C/U	Intelligent Key unit internal malfunction	Replace Intelligent Key unit.	BL-168
IMMU	NATS malfunction	Check NATS.	BL-234

DATA MONITOR

Monitor item	Content
PUSH SW	Indicates [ON/OFF] condition of ignition knob switch.
KEY SW	Indicates [ON/OFF] condition of key switch.
DR REQ SW	Indicates [ON/OFF] condition of door request switch (driver side).
AS REQ SW	Indicates [ON/OFF] condition of door request switch (passenger side).
BD/TR REQ SW	Indicates [ON/OFF] condition of back door opener request switch.
IGN SW	Indicates [ON/OFF] condition of ignition switch in ON position.
ACC SW	Indicates [ON/OFF] condition of ignition switch in ACC position.
DOOR STAT SW	Indicates [ON/OFF] condition of stop lamp switch.
STOP LAMP SW	Indicates [ON/OFF] condition of door unlock sensor.
P RANGE SW	Indicates [ON/OFF] condition of park position switch.
BD OPEN SW	Indicates [OPEN/CLOSE] condition of back door switch from BCM via CAN communication line.
DOOR LOCK SIG*	Indicates [ON/OFF] condition of door lock signal from Intelligent Key remote controller button.
DOOR UNLOCK SIG*	Indicates [ON/OFF] condition of door unlock signal from Intelligent Key remote controller button.
PANIC SIG*	Indicates [ON/OFF] condition of panic alarm signal from Intelligent Key remote controller button.
DOOR SW DR*	Indicates [OPEN/CLOSE] condition of front door switch driver side from BCM via CAN communication line.
DOOR SW AS*	Indicates [OPEN/CLOSE] condition of front door switch passenger side from BCM via CAN communication line.
DOOR SW RR*	Indicates [OPEN/CLOSE] condition of rear door switch LH from BCM via CAN communication line.
DOOR SW RL*	Indicates [OPEN/CLOSE] condition of rear door switch RH from BCM via CAN communication line.
DOOR BK SW*	Indicates [OPEN/CLOSE] condition of back door switch from BCM via CAN communication line.
TRUNK SW*	This is displayed even when it is not equipped.
VEHICLE SPEED*	Indicates [km/h] condition of vehicle speed.

*: Select "SELECTION FROM MENU".

INTELLIGENT KEY SYSTEM

WORK SUPPORT

Monitor item	Description
CONFIRM KEY FOB ID	It can be checked whether Intelligent Key ID code is registered or not in this mode.
TAKE OUT FROM WINDOW WARN	Take away warning chime (from window) mode can be changed to operate (ON) or not operate (OFF) with this mode. The operation mode will be changed when "CHANGE SETT" on CONSULT-II screen is touched.
LOW BAT OF KEY FOB WARN	Intelligent Key low battery warning mode can be changed to operate (ON) or not operate (OFF) with this mode. The operation mode will be changed when "CHANGE SETT" on CONSULT-II screen is touched.
SELECTIVE UNLOCK FUNCTION	Selective unlock function mode can be changed to operate (ON) or not operate (OFF) with this mode. The operation mode will be changed when "CHANGE SETT" on CONSULT-II screen is touched.
ANTI KEY LOCK IN FUNCTION	Key reminder function mode can be changed to operate (ON) or not operate (OFF) with this mode. The operation mode will be changed when "CHANGE SETT" on CONSULT-II screen is touched.
HORN WITH KEYLESS LOCK	Horn reminder function mode by Intelligent Key remote control button can be changed to operate (ON) or not operate (OFF) with this mode. The operation mode will be changed when "CHANGE SETT" on CONSULT-II screen is touched.
HAZARD ANSWER BACK	<p>Hazard reminder function mode can be selected from the following with this mode. The operation mode will be changed when "CHANGE SETT" on CONSULT-II screen is touched.</p> <ul style="list-style-type: none"> ● LOCK ONLY: Door lock operation only ● UNLOCK ONLY: Door unlock operation only ● LOCK/UNLOCK: Lock/Unlock operation ● OFF: Non-operation
ANSWER BACK WITH I-KEY LOCK	<p>Horn reminder function (lock operation) mode by door request switch (driver side, passenger side and back door) can be selected from the following with this mode. The operation mode will be changed when "CHANGE SETT" on CONSULT-II screen is touched.</p> <ul style="list-style-type: none"> ● HORN CHIRP: Sound horn ● BUZZER: Sound buzzer ● OFF: Non-operation
ANSWER BACK WITH I-KEY UNLOCK	Horn reminder function (unlock operation) mode by door request switch can be changed to operate (ON) or not operate (OFF) with this mode.
AUTO RELOCK TIMER	<p>Auto door lock timer mode can select the following with this mode.</p> <ul style="list-style-type: none"> ● 1 minute ● 5 minute ● OFF: Non-operation
PANIC ALARM DELAY	<p>Panic alarm button's pressing time on Intelligent Key remote control button can be selected from the following with this mode. The operation mode will be changed when "CHANGE SETT" on CONSULT-II screen is touched.</p> <ul style="list-style-type: none"> ● 0.5 second ● 1.5 second ● OFF: Non-operation
P/W DOWN DELAY	<p>Unlock button's pressing time on Intelligent Key remote control button can be selected from the following with this mode. The operation mode will be changed when "CHANGE SETT" on CONSULT-II screen is touched.</p> <ul style="list-style-type: none"> ● 3 seconds ● 5 seconds ● OFF: Non-operation
ENGINE START BY I-KEY	Engine start function mode can be changed to operate (ON) or not operate (OFF) with this mode. The operation mode will be changed when "CHANGE SETT" on CONSULT-II screen is touched.
LOCK/UNLOCK BY I-KEY	Door lock/unlock function by door request switch (driver side, passenger side and back door) mode can be changed to operate (ON) or not operate (OFF) with this mode. The operation mode will be changed when "CHANGE SETT" on CONSULT-II screen is touched.

INTELLIGENT KEY SYSTEM

ACTIVE TEST

Test item	Description	A
DOOR LOCK/UNLOCK	<p>This test is able to check door lock/unlock operation.</p> <ul style="list-style-type: none"> ● The all door lock actuators are unlocked when "ALL UNLK" on CONSULT-II screen is touched. ● The door lock actuator (driver side) is unlocked when "DR UNLK" on CONSULT-II screen is touched. ● The door lock actuator (passenger side) is unlocked when "AS UNLK" on CONSULT- II screen is touched. ● The door lock actuator (back door) is unlocked when "BK UNLK" on CONSULT- II screen is touched. ● The all door lock actuators are locked when "LOCK" on CONSULT-II screen is touched. 	B C
OUTSIDE BUZZER	<p>This test is able to check Intelligent Key warning buzzer (engine room) operation. Intelligent Key warning buzzer (engine room) sounds when "ON" on CONSULT-II screen is touched.</p>	D
INSIDE BUZZER	<p>This test is able to check Intelligent Key warning buzzer (inside) operation.</p> <ul style="list-style-type: none"> ● Take away warning chime sounds when "TAKE OUT" on CONSULT-II screen is touched. ● Ignition switch warning chime sounds when "KNOB" on CONSULT-II screen is touched. ● Ignition key warning chime sounds when "KEY" on CONSULT-II screen is touched. 	E
INDICATOR	<p>This test is able to check warning lamp operation.</p> <ul style="list-style-type: none"> ● "KEY" Warning lamp (Green) illuminates when "BLUE ON" on CONSULT-II screen is touched. ● "KEY" Warning lamp (Red) illuminates when "RED ON" on CONSULT-II screen is touched. ● "P-SHIFT" Warning lamp illuminates when "KNOB ON" on CONSULT-II screen is touched. ● "KEY" Warning lamp (Green) flashes when "BLUE IND" on CONSULT-II screen is touched. ● "KEY" Warning lamp (RED) flashes when "BLUE IND" on CONSULT-II screen is touched. ● "P-SHIFT" Warning lamp flashes when "KNOB ON" on CONSULT-II screen is touched. 	F G H

BL

J

K

L

M

INTELLIGENT KEY SYSTEM

AIS006CB

Trouble Diagnosis Symptom Chart KEY WARNING LAMP ILLUMINATES GREEN

NOTE:

- Before performing the diagnosis in the following table, check “Trouble Diagnosis Procedure”. Refer to [BL-122, "Trouble Diagnosis Procedure"](#)
- Make sure that vehicle is under the condition shown in “Conditions of vehicle” before starting diagnosis, and check each symptom.
- If the following “symptoms” are detected, check systems shown in the “Diagnoses/Service procedure” column in this order.

Conditions of Vehicle (Operating Conditions)

- Intelligent Key is registered.
- Key is not inserted in ignition switch.
- One or more registered Intelligent Keys are in the vehicle.

Symptom	Diagnosis/Service procedure	Reference page
Ignition switch does not turn on with Intelligent Key. [KEY warning lamp (green) illuminates.]	1. Check steering lock unit.	BL-157
	2. Replace Intelligent Key unit.	BL-168

KEY WARNING LAMP ILLUMINATES RED

NOTE:

- Before performing the diagnosis in the following table, check “Trouble Diagnosis Procedure”. Refer to [BL-122, "Trouble Diagnosis Procedure"](#).
- Make sure that vehicle is under the condition shown in “Conditions of vehicle” before starting diagnosis, and check each symptom.
- If the following “symptoms” are detected, check systems shown in the “Diagnoses/Service procedure” column in this order.

Conditions of Vehicle (Operating Conditions)

- Intelligent Key is registered.
- Key is not inserted in ignition switch.
- One or more registered Intelligent Keys are in the vehicle.

Symptom	Diagnosis/Service procedure	Reference page
Ignition switch does not turn on with Intelligent Key. [KEY warning lamp (red) illuminates.]	1. Check inside key antenna.	BL-156
	2. Replace Intelligent Key unit.	BL-168

INTELLIGENT KEY SYSTEM

KEY WARNING LAMP DOES NOT ILLUMINATE

NOTE:

- Before performing the diagnosis in the following table, check “Trouble Diagnosis Procedure”. Refer to [BL-122, "Trouble Diagnosis Procedure"](#).
- Make sure that vehicle is under the condition shown in “Conditions of vehicle” before starting diagnosis, and check each symptom.
- If the following “symptoms” are detected, check systems shown in the “Diagnoses/Service procedure” column in this order.
- Check if ignition switch turns using mechanical key. If it turns, check if “ENGINE START BY I-KEY” in “WORK SUPPORT” mode is ON.

Conditions of Vehicle (Operating Conditions)

- Intelligent Key is registered.
- Key is not inserted in ignition switch.
- One or more registered Intelligent Keys are in the vehicle.

Symptom	Diagnosis/Service procedure	Reference page
Ignition switch does not turn on with Intelligent Key. [KEY warning lamp does not illuminate.]	1. Check Intelligent Key unit power supply and ground circuit.	BL-135
	2. Check ignition knob switch.	BL-138
	3. Check key switch.	BL-136
	4. Replace Intelligent Key unit.	BL-168

SELF-DIAGNOSIS RESULTS ARE NOT DISPLAYED

NOTE:

- Before performing the diagnosis in the following table, check “Trouble Diagnosis Procedure”. Refer to [BL-122, "Trouble Diagnosis Procedure"](#).
- Make sure that vehicle is under the condition shown in “Conditions of vehicle” before starting diagnosis, and check each symptom.
- If the following “symptoms” are detected, check systems shown in the “Diagnoses/Service procedure” column in this order.

Conditions of Vehicle (Operating Conditions)

- ID-registered mechanical key is used.
- Multiple mechanical keys are not set in a keyfob.
(If mechanical keys are near the ignition switch, the operation may not work properly.)

Symptom	Diagnosis/Service procedure	Reference page
Ignition switch does not turn on with mechanical Key.	1. Check key switch.	BL-136
	2. Check NATS antenna amp.	BL-250

ENGINE START CONDITION CHECK

NOTE:

- Before performing the diagnosis in the following table, check “Trouble Diagnosis Procedure”. Refer to [BL-122, "Trouble Diagnosis Procedure"](#).
- If the following “symptoms” are detected, check systems shown in the “Diagnoses/Service procedure” column in this order.

Symptom	Diagnosis/Service procedure	Reference page
Engine can not start	1. Check park position switch.	BL-160
	2. Check stop lamp switch.	BL-159

INTELLIGENT KEY SYSTEM

DOOR LOCK/UNLOCK FUNCTION MALFUNCTION

NOTE:

- Before performing the diagnosis in the following table, check “Trouble Diagnosis Procedure”. Refer to [BL-122, "Trouble Diagnosis Procedure"](#) .
- Make sure that vehicle is under the condition shown in “Conditions of vehicle” before starting diagnosis, and check each symptom.
- If the following “symptoms” are detected, check systems shown in the “Diagnosis/Service procedure” column in this order.

Conditions of Vehicle (Operating Conditions)

- LOCK/UNLOCK BY I-KEY is ON when setting on CONSULT-II.
- Ignition switch is not depressed.
- All doors are closed.

Symptom	Diagnosis/Service procedure	Reference page
Door lock/unlock do not operate by request switch.	1. Check door switch.	BL-140
	2. Check ignition knob switch.	BL-138
	3. Replace Intelligent Key unit.	BL-168
Door lock/unlock does not operate by request switch (driver side).	1. Check door request switch (driver side).	BL-143
	2. Check outside key antenna (driver side).	BL-149
	3. Replace Intelligent Key unit.	BL-168
Door lock/unlock does not operate by request switch (passenger side).	1. Check door request switch (passenger side).	BL-143
	2. Check outside key antenna (passenger side).	BL-152
	3. Replace Intelligent Key unit.	BL-168
Door lock/unlock does not operate by request switch (back door).	1. Check door request switch (back door).	BL-143
	2. Check outside key antenna (rear bumper).	BL-154
	3. Replace intelligent key unit.	BL-168
Selective unlock function does not operate by request switch (driver side). (Other door lock function operate properly)	1. Check “SELECTIVE UNLOCK FUNCTION” setting in “WORK SUPPORT”.	BL-126
	2. Check select unlock function with a remote controller or door key cylinder.	BL-61
	3. Replace BCM.	BCS-16
Selective unlock function does not operate by request switch (passenger side). (Other door lock function operate properly)	1. Check “SELECTIVE UNLOCK FUNCTION” setting in “WORK SUPPORT”.	BL-126
	2. Check select unlock relay.	BL-162
	3. Replace Intelligent Key unit.	BL-168
Selective unlock function dose not operate by request switch (back door).	1. Check “SELECTIVE UNLOCK FUNCTION” setting in “WORK SUPPORT”.	BL-126
	2. Replace Intelligent Key unit.	BL-168
Auto lock function does not operate properly.	1. Check “AUTO RELOCK TIMER” setting in “WORK SUPPORT”.	BL-126
	2. Check key switch.	BL-136
	3. Check ignition knob switch.	BL-138
	4. Check door switch.	BL-140
	5. Replace Intelligent Key unit.	BL-168

INTELLIGENT KEY SYSTEM

Symptom	Diagnosis/Service procedure	Reference page
Key reminder function does not operate properly.	1. Check "ANTI KEY LOCK IN FUNCTION" setting in "WORK SUPPORT".	BL-126
	2. Check door switch.	BL-140
	3. Check inside key antenna.	BL-156
	4. Check unlock sensor.	BL-145
	5. Check Intelligent Key battery inspection.	BL-169
	6. Replace Intelligent Key unit.	BL-168

REMOTE KEYLESS ENTRY FUNCTION MALFUNCTION

NOTE:

- Before performing the diagnosis in the following table, check "Trouble Diagnosis Procedure". Refer to [BL-122, "Trouble Diagnosis Procedure"](#).
- Make sure that vehicle is under the condition shown in "Conditions of vehicle" before starting diagnosis, and check each symptom.
- If the following "symptoms" are detected, check systems shown in the "Diagnosis/Service procedure" column in this order.

Conditions of Vehicle (Operating Conditions)

- Ignition switch is not depressed.
- All doors are closed.

Symptom	Diagnosis/Service procedure	Reference page
Either one of the remote keyless entry functions do not operate.	Replace Intelligent Key unit.	BL-168
Selective unlock function does not operate by Intelligent Key remote control button.	1. Check "SELECT UNLOCK FUNCTION" setting in "WORK SUPPORT".	BL-126
	2. Check Intelligent Key battery inspection.	BL-169
	3. Replace Intelligent Key unit.	BL-168
Auto lock function does not operate properly.	1. Check "AUTO RELOCK TIMER" setting in "WORK SUPPORT".	BL-126
	2. Check key switch.	BL-136
	3. Check ignition knob switch.	BL-138
	4. Check door switch.	BL-140
	5. Replace Intelligent Key unit.	BL-168
Key reminder function does not operate properly.	1. Check "ANTI KEY LOCK IN FUNCTION" setting in "WORK SUPPORT".	BL-126
	2. Check door switch.	BL-140
	3. Check inside key antenna.	BL-156
	4. Check unlock sensor.	BL-145
	5. Check Intelligent Key battery inspection.	BL-169
	6. Replace Intelligent Key unit.	BL-168
Panic alarm function does not operate properly.	1. Check "PANIC ALARM DELAY" setting in "WORK SUPPORT".	BL-126
	2. Theft warning operation check.	BL-205
	3. Check Intelligent Key battery inspection.	BL-169
	4. Check key switch.	BL-136
	5. Check ignition knob switch.	BL-138
	6. Replace Intelligent Key unit.	BL-168

INTELLIGENT KEY SYSTEM

HAZARD AND HORN REMINDER FUNCTION MALFUNCTION

NOTE:

- Before performing the diagnosis in the following table, check “Trouble Diagnosis Procedure”. Refer to [BL-122, "Trouble Diagnosis Procedure"](#)
- Make sure that vehicle is under the condition shown in “Conditions of vehicle” before starting diagnosis, and check each symptom.
- If the following “symptoms” are detected, check systems shown in the “Diagnosis/Service procedure” column in this order.

Conditions of Vehicle (Operating Conditions)

- Ignition switch is not depressed.
- All doors are closed.

Symptom	Diagnosis/Service procedure	Reference page
Hazard reminder does not operate properly by request switch. (Horn reminder operate properly.)	1. Check “HAZARD ANSWER BACK” setting in “WORK SUPPORT”.	BL-126
	2. Check hazard function with hazard switch	BL-167
	3. Replace Intelligent Key unit.	BL-168
Horn reminder does not operate properly by request switch. (Horn reminder operate properly.)	1. Check “ANSWER BACK WITH I-KEY LOCK” or “ANSWER BACK WITH I-KEY UNLOCK” setting in “WORK SUPPORT”.	BL-126
	2. Check Intelligent Key warning buzzer (Engine room).	BL-147
	3. Check horn function.	BL-167
	4. Check IPDM E/R operation.	BL-168
	5. Replace Intelligent Key unit.	BL-168
Hazard reminder does not operate properly by Intelligent Key remote control button. (Horn reminder operate properly.)	1. Check “HAZARD ANSWER BACK” setting in “WORK SUPPORT”.	BL-126
	2. Check hazard function.	BL-167
	3. Replace Intelligent Key unit.	BL-168
Horn reminder does not operate properly by Intelligent Key remote control button (door lock/unlock button). (Horn reminder operate properly.)	1. Check “HORN WITH KEYLESS LOCK” setting in “WORK SUPPORT”.	BL-126
	2. Check Intelligent Key warning buzzer (Engine room).	BL-147
	3. Check horn function.	BL-167
	4. Check IPDM E/R operation.	BL-168
	5. Replace Intelligent Key unit.	BL-168

POWER WINDOW DOWN FUNCTION MALFUNCTION

NOTE:

- Before performing the diagnosis in the following table, check “Trouble Diagnosis Procedure”. Refer to [BL-122, "Trouble Diagnosis Procedure"](#)
- If the following “symptoms” are detected, check systems shown in the “Diagnoses/Service procedure” column in this order.

Conditions of Vehicle (Operating Conditions)

- Key is not inserted in ignition switch.
- One or more registered Intelligent Keys are in the vehicle.

Symptom	Diagnosis/Service procedure	Reference page
Power window down function does not operate properly.	1. Check “P/W DOWN DELAY” setting in “WORK SUPPORT”.	BL-126
	2. Check Intelligent Key battery inspection.	BL-169

WARNING CHIME FUNCTION MALFUNCTION

NOTE:

- Before performing the diagnosis in the following table, check “Trouble Diagnosis Procedure”. Refer to [BL-122, "Trouble Diagnosis Procedure"](#).

INTELLIGENT KEY SYSTEM

- Make sure that vehicle is under the condition shown in “Conditions of vehicle” before starting diagnosis, and check each symptom.
- If the following “symptoms” are detected, check systems shown in the “Diagnosis/Service procedure” column in this order.

Conditions of Vehicle (Operating Conditions)

Each warning chime function is ON when setting on CONSULT-II.

Symptom	Diagnosis/Service procedure	Reference page
Ignition switch warning chime does not operate.	1. Check ignition knob switch.	BL-138
	2. Check door switch.	BL-140
	3. Check key switch.	BL-136
	4. Check Intelligent Key warning buzzer (inside).	BL-146
	5. Replace Intelligent Key unit.	BL-168
Ignition key warning chime does not operate properly. (When mechanical key used)	1. Check key switch (Intelligent Key unit input).	BL-136
	2. Check key switch (BCM input).	BL-137
	3. Check door switch.	BL-140
	4. Check combination meter.	DI-4
	5. Replace Intelligent Key unit.	BL-168
OFF position warning chime does not operate.	1. Check ignition knob switch.	BL-138
	2. Check key switch.	BL-136
	3. Check power supply and ground circuit.	BL-135
	4. Check Intelligent Key warning buzzer (inside).	BL-146
	5. Replace Intelligent Key unit.	BL-168
OFF position warning chime (after door closed) does not operate properly.	1. Check ignition knob switch.	BL-138
	2. Check Intelligent Key warning buzzer (engine room).	BL-147
	3. Replace Intelligent Key unit.	BL-168
Take away warning chime does not operate properly.	1. Check door switch.	BL-140
	2. Check power supply and ground circuit.	BL-135
	3. Check Intelligent Key battery inspection.	BL-169
	4. Check inside key antenna.	BL-156
	5. Check Intelligent Key warning buzzer (engine room).	BL-147
	6. Replace Intelligent Key unit.	BL-168
Take away warning chime (from window) does not operate properly.	1. Check “TAKE OUT FROM WINDOW WARN” setting in “WORK SUPPORT”.	BL-126
	2. Check inside key antenna.	BL-156
	3. Check power supply and ground circuit.	BL-135
	4. Check Intelligent Key battery inspection.	BL-169
	5. Check Intelligent Key warning buzzer (inside).	BL-146
	6. Replace Intelligent Key unit.	BL-168
Door lock operation warning chime does not operate properly.	1. Check door switch.	BL-140
	2. Check ignition knob switch.	BL-138
	3. Replace Intelligent Key unit.	BL-168
	4. Check door request switch (driver side).	BL-143
	5. Check outside key antenna (driver side).	BL-149
	6. Check inside key antenna.	BL-156
	7. Check Intelligent Key warning buzzer (engine room).	BL-147
	8. Replace Intelligent Key unit.	BL-168

INTELLIGENT KEY SYSTEM

WARNING LAMP FUNCTION MALFUNCTION

NOTE:

- Before performing the diagnosis in the following table, check “Trouble Diagnosis Procedure”. Refer to [BL-122, "Trouble Diagnosis Procedure"](#) .
- If the following “symptoms” are detected, check systems shown in the “Diagnosis/Service procedure” column in this order.

Symptom	Diagnosis/Service procedure	Reference page
Intelligent Key low battery warning does not operate properly.	1. Check “LOW BAT OF KEY FOB WARN” setting in “WORK SUPPORT”.	BL-126
	2. Check Intelligent Key battery inspection.	BL-169
	3. Check KEY warning lamp (green).	BL-166
	4. Replace Intelligent Key unit.	BL-168
P position warning lamp does not illuminate properly.	1. Check park position switch.	BL-160
	2. Check “P-SHIFT” warning lamp (red).	BL-163
	3. Replace Intelligent Key unit.	BL-168
Take away warning lamp does not illuminate properly. (Take away warning chime is operated.)	1. Check KEY warning lamp (red).	BL-165
	2. Replace Intelligent Key unit.	BL-168
Ignition switch warning lamp does not illuminate properly. (Ignition switch warning chime is operated.)	1. Check KEY warning lamp (red).	BL-165
	2. Replace Intelligent Key unit.	BL-168

INTELLIGENT KEY SYSTEM

Check CAN Communication System

AIS006CC

1. CHECK SELF-DIAGNOSTIC RESULTS

CAUTION:

If CONSULT-II is used with no connection of CONSULT-II CONVERTER, malfunctions might be detected in self-diagnosis depending on control unit which performs CAN communication.

Ⓜ With CONSULT-II

- Connect CONSULT-II, and turn ignition switch ON.
- Touch "INTELLIGENT KEY" on "SELECT SYSTEM" screen.
- Touch "SELF-DIAG RESULTS" on "SELECT DIAG MODE" screen.
- Check display content in self-diagnostic results.

CONSULT-II display item	DTC code
NO DTC IS DETECTED	—
CAN COMM	U1000
CAN COMM2	U1010

OK or NG

NO DTC IS DETECTED>> INSPECTION END

CAN COMM [U1000]>> After printing "SELF-DIAGNOSIS RESULTS", go to "CAN SYSTEM", Refer to [LAN-5](#), "[Precautions When Using CONSULT-II](#)".

CAN COMM2 [U1010]>> Replace Intelligent Key unit.

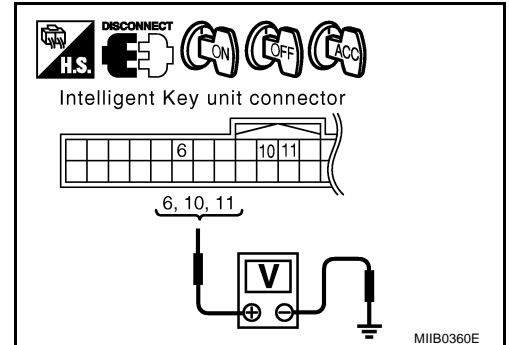
Check Power Supply and Ground Circuit

AIS006CD

1. CHECK POWER SUPPLY CIRCUIT

1. Turn ignition switch OFF.
2. Disconnect Intelligent Key unit harness connector.
3. Check voltage between Intelligent Key unit harness connector and ground.

Con- nector	Terminal (Wire color)		Ignition switch position		
	(+)	(-)	OFF	ACC	ON
M99	6 (G)	Ground	0V	0V	Battery voltage
	10 (P/B)		0V	Battery voltage	Battery voltage
	11 (G/Y)		Battery volt- age	Battery voltage	Battery voltage



OK or NG

OK >> GO TO 2.

NG >> Repair or replace Intelligent Key power supply circuit.

2. CHECK GROUND CIRCUIT

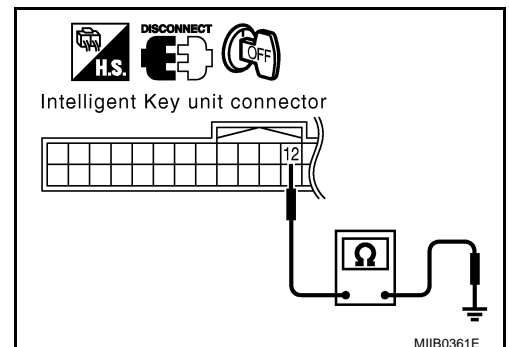
Check continuity between Intelligent Key unit harness connector M75 terminal 12 (B) and ground.

12 (B) - Ground : Continuity should exist.

OK or NG

OK >> Power supply and ground circuits are OK.

NG >> Repair or replace the Intelligent Key unit ground circuit.



INTELLIGENT KEY SYSTEM

AIS006CE

Check Key Switch (Intelligent Key Unit Input)

1. CHECK KEY SWITCH

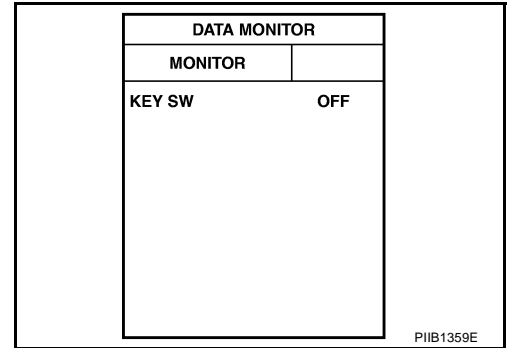
With CONSULT-II

Check key switch ("KEY SW") in "DATA MONITOR" mode with CONSULT-II.

Monitor item	Condition
KEY SW	Insert mechanical key into ignition switch: ON
	Remove mechanical key into ignition switch: OFF

OK or NG

- OK >> Key switch is OK.
 NG >> GO TO 2.



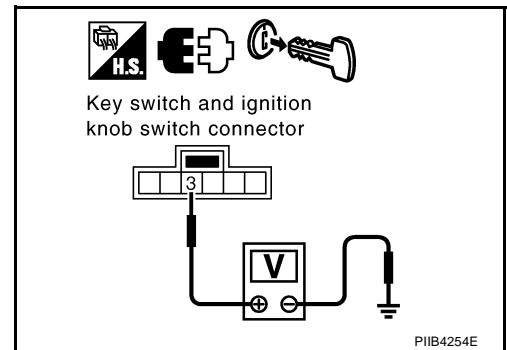
2. CHECK KEY SWITCH POWER SUPPLY CIRCUIT

- Remove mechanical key from ignition switch.
- Disconnect key switch and ignition knob switch connector.
- Check voltage between key switch and ignition knob switch harness connector M118 terminal 3 and ground.

3 (G/Y) - Ground : Battery voltage

OK or NG

- OK >> GO TO 3.
 NG >> Repair or replace key switch and ignition knob switch power supply circuit.



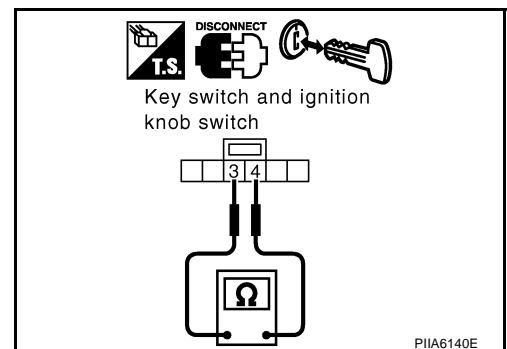
3. CHECK KEY SWITCH OPERATION

Check continuity between key switch and ignition knob switch harness connector M118 terminal 3 and 4.

Connector	Terminal		Condition	Continuity
M118	3	4	Insert mechanical key into ignition switch.	Yes
			Remove mechanical key from ignition switch.	No

OK or NG

- OK >> GO TO 4.
 NG >> Replace key cylinder assembly (built-in key switch).



INTELLIGENT KEY SYSTEM

4. CHECK KEY SWITCH CIRCUIT

1. Disconnect Intelligent Key unit connector.
2. Check continuity between Intelligent Key unit harness connector M99 terminal 7 and key switch and ignition knob switch harness connector M118 terminal 4.

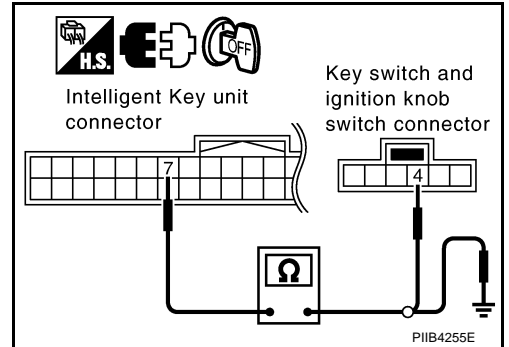
7 (B/R) - 4 (B/R) : Continuity should exist.

3. Check continuity between Intelligent Key unit harness connector M99 terminal 7 and ground.

7 (B/R) - Ground : Continuity should not exist.

OK or NG

- OK >> Check the condition of harness and harness connector.
 NG >> Repair or replace harness between Intelligent Key unit and key switch and ignition knob switch.



AIS006CF

Check Key Switch (BCM Input)

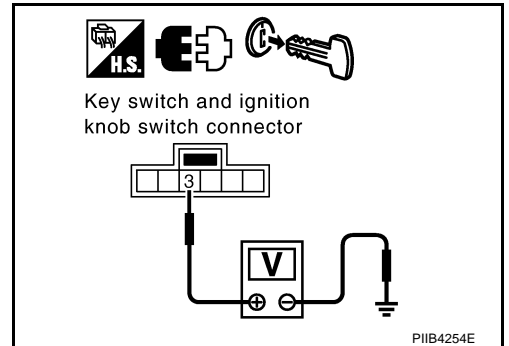
1. CHECK KEY SWITCH POWER SUPPLY CIRCUIT

1. Turn ignition switch OFF.
2. Disconnect key switch and ignition knob switch connector.
3. Check voltage between key switch and ignition knob switch connector M118 terminal 3 and ground.

3 (G/Y) - Ground : Battery voltage.

OK or NG

- OK >> GO TO 2.
 NG >> Check harness between key switch and ignition knob switch and fuse.

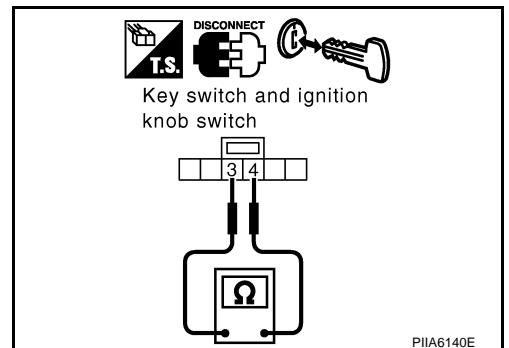


PIIB4254E

2. CHECK KEY SWITCH

Check continuity between key switch and ignition knob switch harness connector M118 terminals 3 and 4.

Connector	Terminal		Condition	Continuity
M118	3	4	Insert mechanical key into ignition switch.	Yes
			Remove mechanical key from ignition switch.	No



PIIA6140E

OK or NG

- OK >> GO TO 3.
 NG >> Replace key cylinder assembly (built-in key switch).

INTELLIGENT KEY SYSTEM

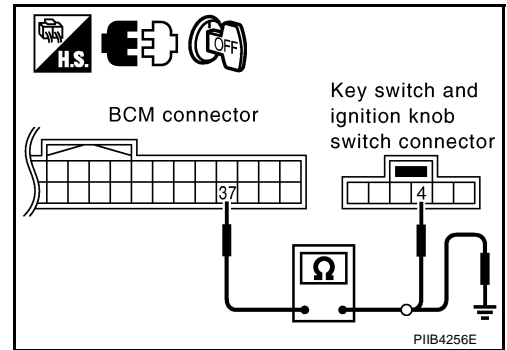
3. CHECK KEY SWITCH SIGNAL CIRCUIT

1. Disconnect BCM connector.
2. Check continuity between BCM harness connector M34 terminal 37 and key switch and ignition knob switch harness connector M118 terminal 4.

37 (B/R) – 4 (B/R) : Continuity should exist.

3. Check continuity between BCM harness connector M34 terminal 37 and ground.

37 (B/R) – Ground : Continuity should not exist.



OK or NG

OK >> Key switch (BCM input) circuit is OK.

NG >> Repair or replace harness between key switch and ignition knob switch and BCM.

Check Ignition Knob Switch

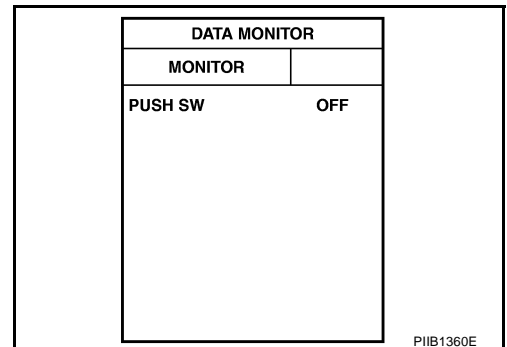
AIS006CG

1. CHECK IGNITION KNOB SWITCH

With CONSULT-II

Display "PUSH SW" on DATA MONITOR screen, and check if ON/OFF display is linked to ignition switch operation.

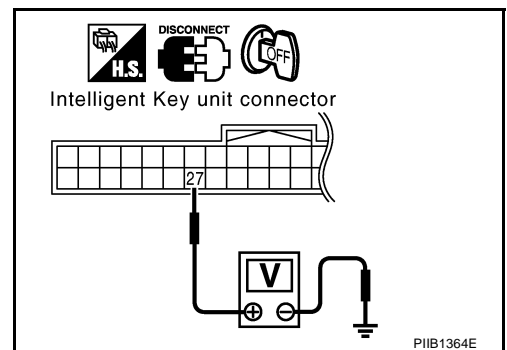
Monitor item	Condition
PUSH SW	Ignition switch is pushed: ON
	Ignition switch is withdrawn: OFF



Without CONSULT-II

1. Turn ignition switch OFF.
2. Disconnect Intelligent Key unit connector.
3. Check voltage between Intelligent Key unit harness connector M99 terminal 27 and ground.

Con- nector	Terminal (Wire color)		Condition	Voltage (V) (Approx.)
	(+)	(-)		
M99	27 (G/O)	Ground	Ignition switch is pushed	Battery voltage
			Ignition switch is withdrawn	0



OK or NG

OK >> Ignition knob switch is OK.

NG >> GO TO 2.

INTELLIGENT KEY SYSTEM

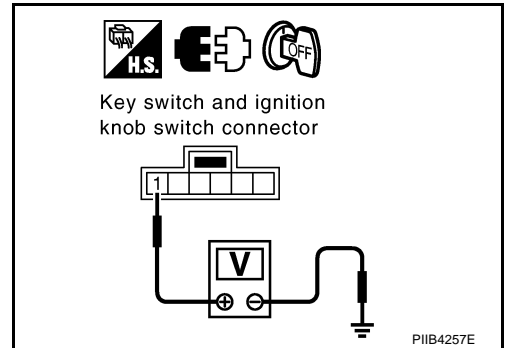
2. CHECK IGNITION KNOB SWITCH POWER SUPPLY CIRCUIT

1. Turn ignition switch OFF.
2. Disconnect key switch and ignition knob switch connector.
3. Check voltage between key switch and ignition knob switch harness connector M118 terminal 1 and ground.

1 (G/Y) - Ground : Battery voltage

OK or NG

- OK >> GO TO 3.
 NG >> Repair or replace key switch and ignition knob switch power supply circuit.



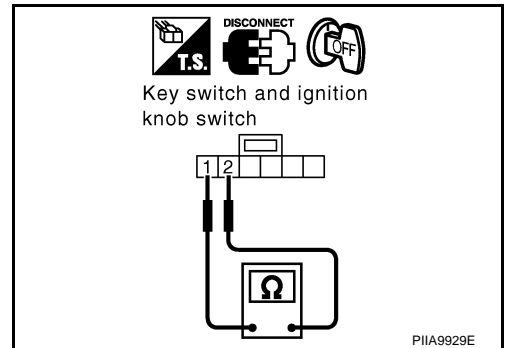
3. CHECK IGNITION KNOB SWITCH OPERATION

Check continuity between ignition knob switch harness connector M118 terminal 1 and 2.

Connector	Terminal		Condition	Continuity
M118	1	2	Ignition switch is pushed	Yes
			Ignition switch is with-drawn.	No

OK or NG

- OK >> GO TO 4.
 NG >> Replace key switch and ignition knob switch.



4. CHECK IGNITION KNOB SWITCH CIRCUIT

1. Check continuity between Intelligent Key unit harness connector M99 terminal 27 and key switch and ignition knob switch harness connector M118 terminal 2.

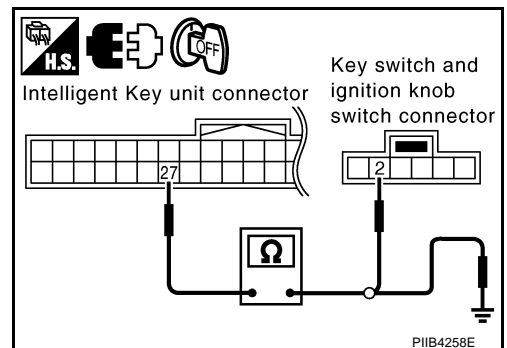
27 (G/O) - 2 (G/O) : Continuity should exist.

2. Check continuity between Intelligent Key unit harness connector M99 terminal 27 and ground.

27 (G/O) - Ground : Continuity should not exist.

OK or NG

- OK >> Check the condition of harness and harness connector.
 NG >> Repair or replace harness between Intelligent Key unit and key switch and ignition knob switch.



INTELLIGENT KEY SYSTEM

AIS006CH

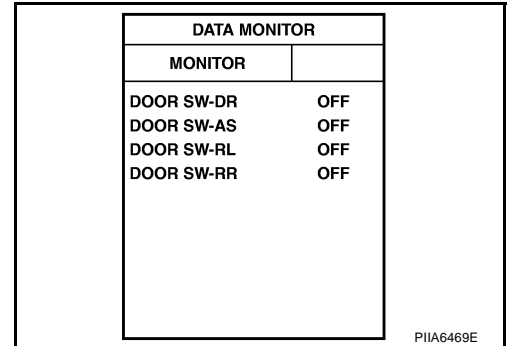
Check Door Switch CHECK DOOR SWITCH (EXCEPT BACK DOOR SWITCH)

1. CHECK DOOR SWITCH INPUT SIGNAL

Ⓟ With CONSULT-II

Check door switches (“DOOR SW-DR”, “DOOR SW-AS”, “DOOR SW-RL” and “DOOR SW-RR”) in “DATA MONITOR” mode with CONSULT-II.

Monitor item	Condition
DOOR SW-DR	CLOSE → OPEN: OFF → ON
DOOR SW-AS	
DOOR SW-RL	
DOOR SW-RR	



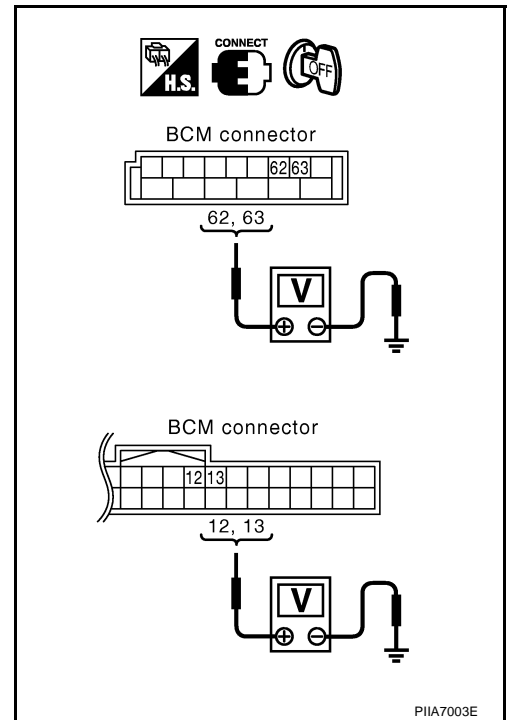
⊗ Without CONSULT-II

1. Turn ignition switch OFF.
2. Check voltage between BCM harness connector and ground.

Item	Con- nector	Terminals (Wire color)		Door condition	Voltage (V) (Approx.)
		(+)	(-)		
Driver side	M36	62 (SB)	Ground	CLOSE ↓ OPEN	Battery voltage ↓ 0
Rear LH		63 (R/W)			
Passenger side	M34	12 (R/G)			
Rear RH		13 (R/W)			

OK or NG

- OK >> Door switch circuit is OK.
NG >> GO TO 2.



INTELLIGENT KEY SYSTEM

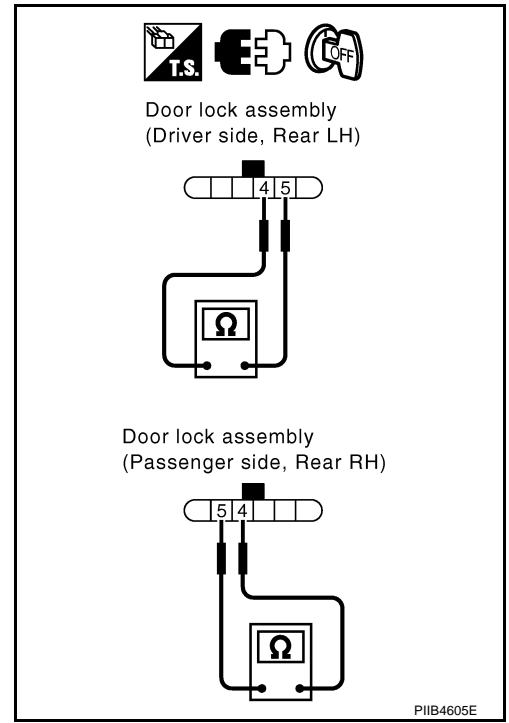
2. CHECK DOOR SWITCH

1. Turn ignition switch OFF.
2. Disconnect door lock assembly connector.
3. Check continuity between door switch terminals 4 and 5.

Terminal		Door condition	Continuity
4	5	Close	No
		Open	Yes

OK or NG

- OK >> GO TO 3.
 NG >> Replace malfunction door lock assembly.



3. CHECK DOOR SWITCH CIRCUIT

1. Disconnect BCM connector.
2. Check continuity between door switch harness connector D10, D38, D56, D76 terminals 4 and BCM harness connector M34, M36 terminals 12, 13, 62, 63.

Driver door

4 (SB) – 62 (SB) : Continuity should exist.

Passenger door

4 (R/G) – 12 (R/G) : Continuity should exist.

Rear door LH

4 (V) – 63 (V) : Continuity should exist.

Rear door RH

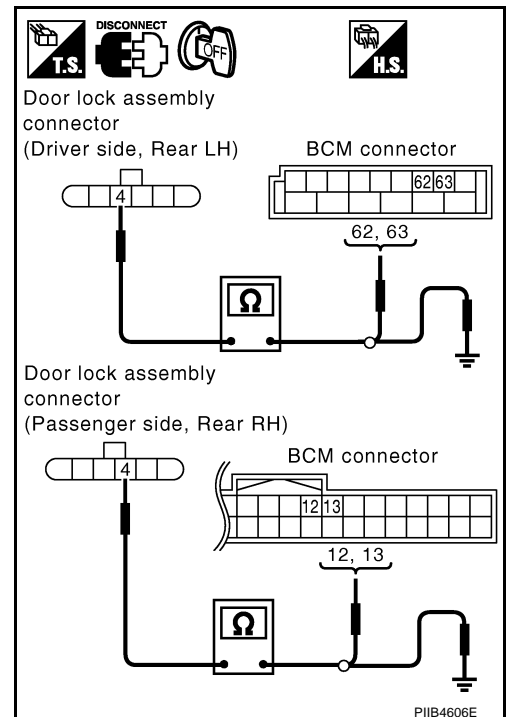
4 (R/W) – 13 (R/W) : Continuity should exist.

3. Check continuity between door switch harness connector D10, D38, D56, D76 terminal 4 and ground.

4 (SB, R/G, V or R/W) – Ground : Continuity should not exist.

OK or NG

- OK >> Check door switch case ground condition.
 NG >> Repair or replace harness.



INTELLIGENT KEY SYSTEM

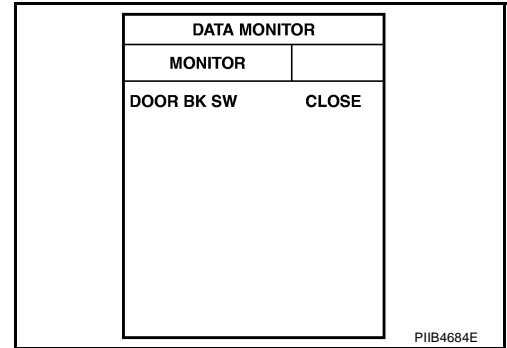
CHECK BACK DOOR SWITCH

1. CHECK BACK DOOR SWITCH INPUT SIGNAL

④ With CONSULT-II

Check door switches ("DOOR BK SW") in "DATA MONITOR" mode with CONSULT-II.

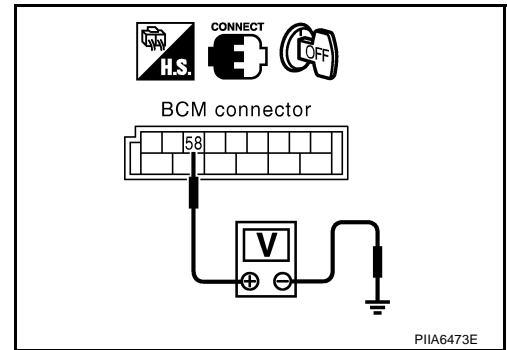
Monitor item	Condition
DOOR BK SW	Close → Open: CLOSE → OPEN



⊗ Without CONSULT-II

Check voltage between BCM connector and ground.

Connector	Terminal (Wire color)		Back door condition	Voltage (V) (Approx.)
	(+)	(-)		
M36	58 (V/W)	Ground	Close ↓ Open	Battery voltage ↓ 0



OK or NG

- OK >> Door switch circuit is OK.
- NG >> GO TO 2.

2. CHECK HARNESS CONTINUITY

1. Turn ignition switch OFF.
2. Disconnect BCM and back door lock assembly connector.
3. Check continuity between BCM connector M36 terminal 58 and back door lock assembly connector D111 terminal 3.

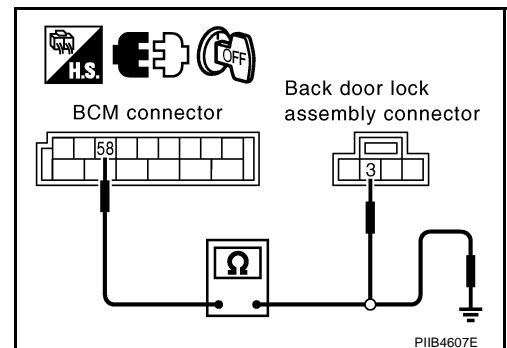
58 (V/W) – 3 (V/W) : Continuity should exist.

4. Check continuity between BCM connector M36 terminal 58 and ground.

58 (V/W) – Ground : Continuity should not exist.

OK or NG

- OK >> GO TO 3.
- NG >> Repair or replace harness.



INTELLIGENT KEY SYSTEM

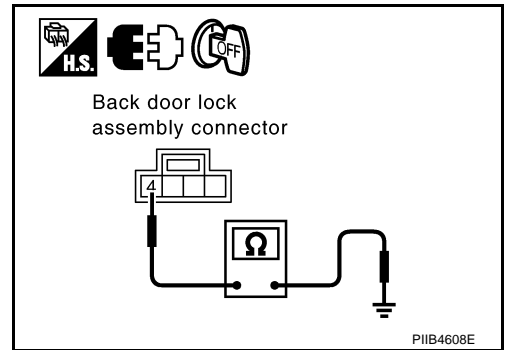
3. CHECK GROUND CIRCUIT

Check continuity between back door closure motor connector D111 terminal 4 and ground.

4 (B) – Ground : Continuity should exist.

OK or NG

- OK >> GO TO 4.
- NG >> Repair or replace harness.



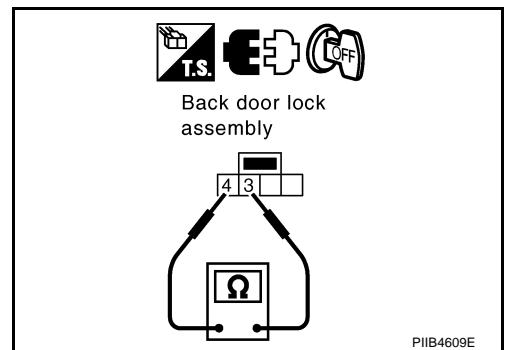
4. CHECK BACK DOOR SWITCH

Check continuity between back door lock assembly terminals 3 and 4.

Terminals		Back door condition	Continuity
3	4	Open	Yes
		Close	No

OK or NG

- OK >> GO TO 5.
- NG >> Replace back door lock assembly.



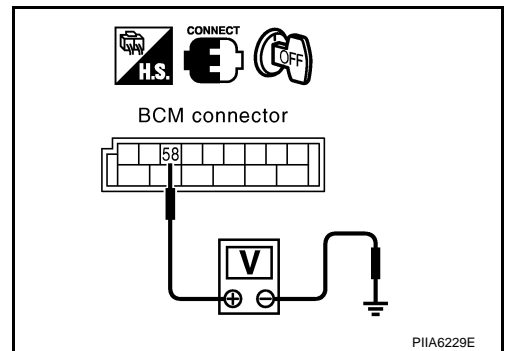
5. CHECK BCM OUTPUT SIGNAL

1. Connect BCM connector.
2. Check voltage between BCM connector M36 terminal 58 and ground.

58 (V/W) – Ground : Battery voltage

OK or NG

- OK >> Check condition of harness and connector.
- NG >> Replace BCM.



Check Door Request Switch

1. CHECK DOOR REQUEST SWITCH

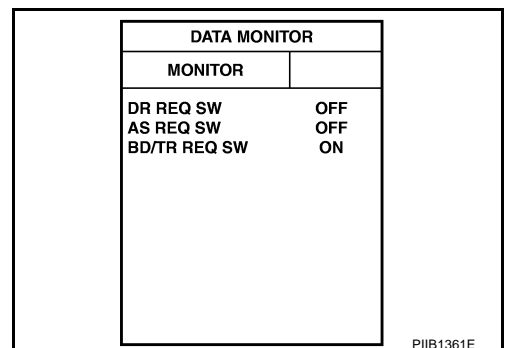
With CONSULT-II

Display “DR REQ SW” (driver door), “AS REQ SW” (passenger door) and “BD/TR REQ SW” (back door) on DATA MONITOR screen, and check if ON-OFF display is linked to door request switch operation.

Press door request switch. : ON
Release door request switch. : OFF

OK or NG

- OK >> Door request switch is OK.
- NG >> GO TO 2.



INTELLIGENT KEY SYSTEM

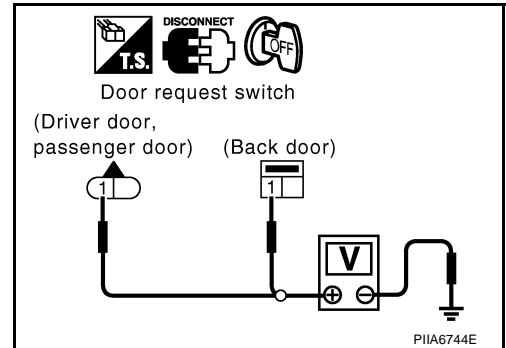
2. CHECK DOOR REQUEST SWITCH SIGNAL

1. Turn ignition knob LOCK position.
2. Disconnect door request switch connector.
3. Check voltage between door request switch connector D12 (driver door), D39 (passenger door), D108 (back door) terminal 1 and ground.

Driver **1 (BW) - Ground** : **Approx. 5V**
Passenger **1 (P/L) - Ground** : **Approx. 5V**
Back door **1 (G/R) - Ground** : **Approx. 5V**

OK or NG

- OK >> GO TO 3.
 NG >> GO TO 5.



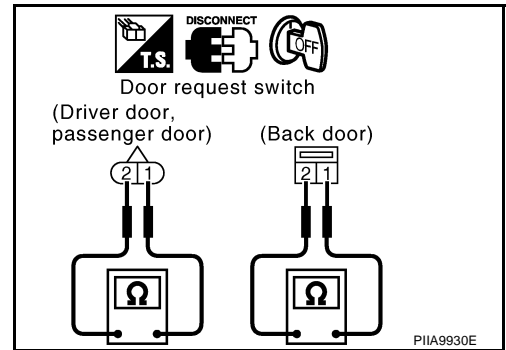
3. CHECK DOOR REQUEST SWITCH OPERATION

Check continuity between door request switch terminals 1 and 2.

Terminal		Condition	Continuity
1	2	Press door request switch	Yes
		Other than above	No

OK or NG

- OK >> GO TO 4.
 NG >> Replace door request switch.



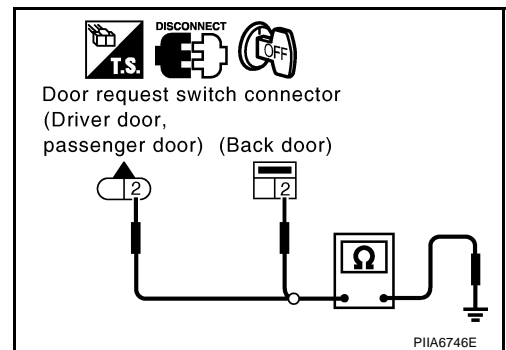
4. CHECK DOOR REQUEST SWITCH GROUND CIRCUIT

Check continuity between door request switch connector D12 (driver side), D39 (passenger side), D108 (back door) terminal 2 (B) and ground.

2 (B) - Ground : **Continuity should exist.**

OK or NG

- OK >> Check harness connection.
 NG >> Repair or replace door request switch ground circuit.



INTELLIGENT KEY SYSTEM

5. CHECK DOOR REQUEST SWITCH CIRCUIT

1. Disconnect Intelligent Key unit connector.
2. Check continuity between Intelligent Key unit connector M99 terminals 5 (driver door), 25 (passenger door), and 29 (back door) and door request switch connector D12 (driver door), D39 (passenger door), D108 (back door) terminal 1.

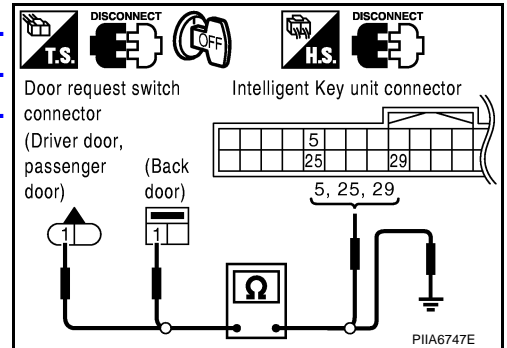
Driver 5 (B/W) - 1 (B/W) : Continuity should exist.

Passenger 25 (P/L) - 1 (P/L) : Continuity should exist.

Back door 29 (G/W) - 1 (G/R) : Continuity should exist.

3. Check continuity between door request switch connector D12 (driver door), D42 (passenger door), D113 (back door) terminal 1 and ground.

1 - Ground : Continuity should not exist.



OK or NG

OK >> Replace Intelligent Key unit.

NG >> Repair or replace harness between Intelligent Key unit and door request switch.

Check Unlock Sensor

AIS006CL

1. CHECK UNLOCK SENSOR POWER SUPPLY

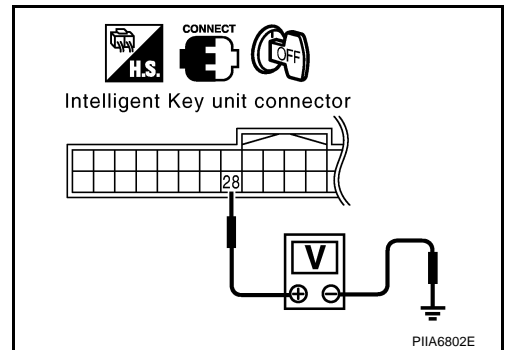
Check voltage between Intelligent Key unit connector and ground.

Con- nector	Terminals (Wire color)		Condition	Voltage (V) (Approx.)
	(+)	(-)		
M99	28 (SB)	Ground	Driver side door lock is locked	5
			Driver side door lock is unlocked	0

OK or NG

OK >> Unlock sensor is OK.

NG >> GO TO 2.



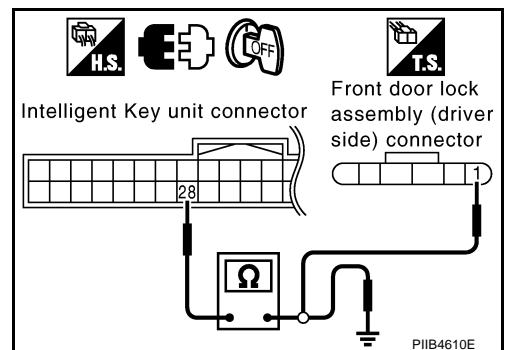
2. CHECK UNLOCK SENSOR CIRCUIT

1. Turn ignition switch OFF.
2. Disconnect Intelligent Key unit and front door lock assembly (driver side) connector.
3. Check continuity between Intelligent Key unit harness connector M99 terminal 28 and front door lock assembly (driver side) harness connector D10 terminal 1.

28 (SB) - 1 (G/Y) : Continuity should exist.

4. Check continuity between Intelligent Key unit harness connector M99 terminal 28 and ground.

28 (SB) - Ground : Continuity should not exist.



OK or NG

OK >> GO TO 3.

NG >> Repair or replace harness between Intelligent Key unit and front door lock assembly (driver side).

INTELLIGENT KEY SYSTEM

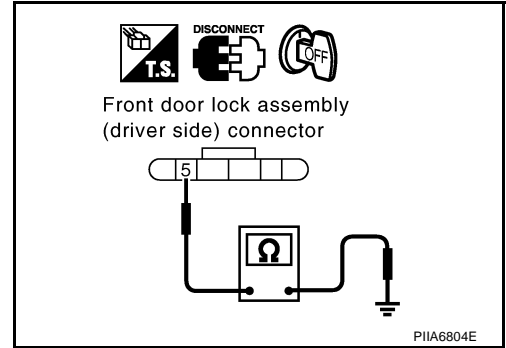
3. CHECK UNLOCK SENSOR GROUND CIRCUIT

Check continuity between front door lock assembly (driver side) harness connector D10 terminal 5 and ground.

5 (B) – Ground : Continuity should exist.

OK or NG

- OK >> GO TO 4.
- NG >> Repair or replace harness.



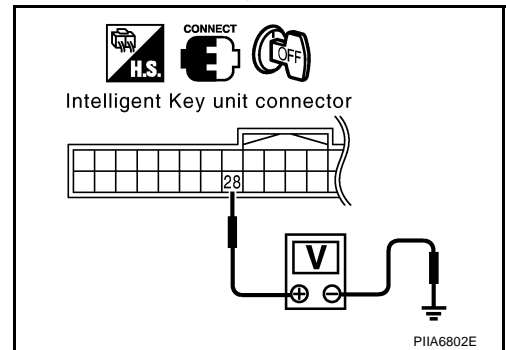
4. CHECK INTELLIGENT KEY UNIT OUTPUT SIGNAL

1. Connect Intelligent Key unit harness connector.
2. Check voltage between Intelligent Key unit harness connector M99 terminal 28 and ground.

28 (SB) – Ground : Approx. 5V

OK or NG

- OK >> Replace front door lock assembly (driver side).
- NG >> Replace Intelligent Key unit.



Check Intelligent Key Warning Buzzer (Inside)

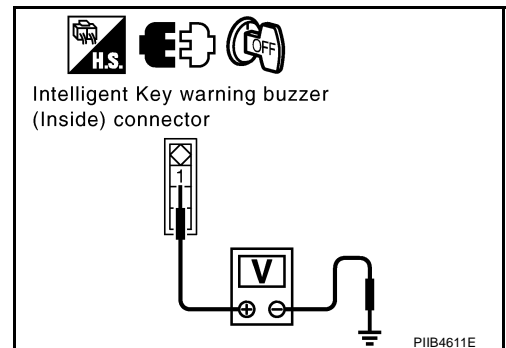
1. CHECK INTELLIGENT KEY WARNING BUZZER (INSIDE) POWER SUPPLY CIRCUIT

1. Turn ignition switch OFF.
2. Disconnect Intelligent Key warning buzzer (inside) connector.
3. Check voltage between Intelligent Key warning buzzer (inside) harness connector M100 terminal 1 and ground.

1 (Y/R) - Ground : Battery voltage

OK or NG

- OK >> GO TO 2.
- NG >> Repair or replace Intelligent Key warning buzzer (inside) power supply circuit.



INTELLIGENT KEY SYSTEM

2. CHECK INTELLIGENT KEY WARNING BUZZER (INSIDE) CIRCUIT

1. Disconnect Intelligent Key unit connector.
2. Check continuity between Intelligent Key unit harness connector M99 terminal 30 and Intelligent Key warning buzzer (inside) harness connector M100 terminal 3.

30 (LG/B) - 3 (LG/B) : Continuity should exist.

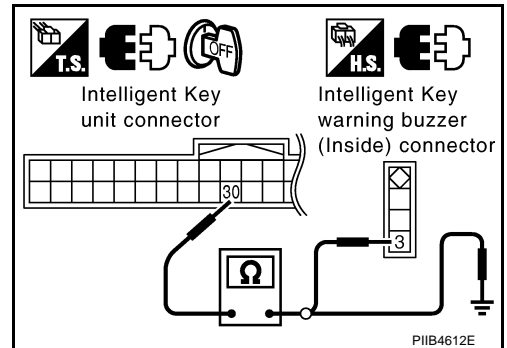
3. Check continuity between Intelligent Key unit harness connector M99 terminal 30 and ground.

30 (LG/B) - Ground : Continuity should not exist.

OK or NG

OK >> GO TO 3.

NG >> Repair or replace harness between Intelligent Key warning buzzer (inside) and Intelligent Key unit.



3. CHECK INTELLIGENT KEY WARNING BUZZER (INSIDE) OPERATION

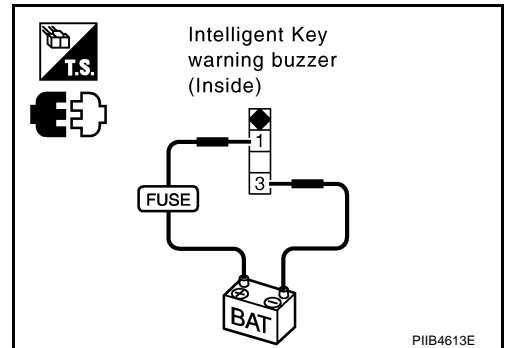
Connect battery power supply to Intelligent Key warning buzzer (inside) harness connector M100 terminals 1 and 3, and check the operation.

1 (BAT+) - 3 (BAT-) : the buzzer sounds

OK or NG

OK >> Intelligent Key warning buzzer (inside) is OK.

NG >> Replace Intelligent Key warning buzzer (inside).



Check Intelligent Key Warning Buzzer (ENGINE ROOM)

AIS006CN

1. CHECK INTELLIGENT KEY WARNING BUZZER (ENGINE ROOM) POWER SUPPLY CIRCUIT

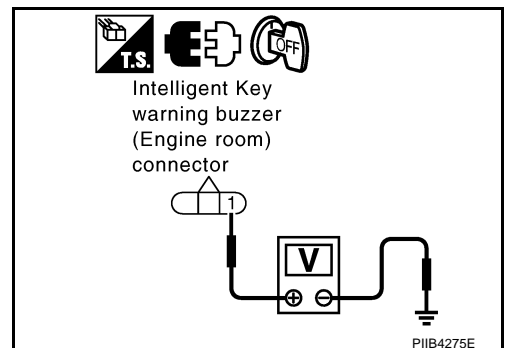
1. Turn ignition switch OFF.
2. Disconnect Intelligent Key warning buzzer (engine room) connector.
3. Check voltage between Intelligent Key warning buzzer (engine room) harness connector E45 terminal 1 and ground.

1 (Y/R) - Ground : Battery voltage

OK or NG

OK >> GO TO 2.

NG >> Repair or replace Intelligent Key warning buzzer (engine room) power supply circuit.



INTELLIGENT KEY SYSTEM

2. CHECK INTELLIGENT KEY WARNING BUZZER (ENGINE ROOM) CIRCUIT

1. Disconnect Intelligent Key unit connector.
2. Check continuity between Intelligent Key unit harness connector M99 terminal 4 and Intelligent Key warning buzzer (engine room) harness connector E45 terminal 3.

4 (GR) - 3 (GR) : Continuity should exist.

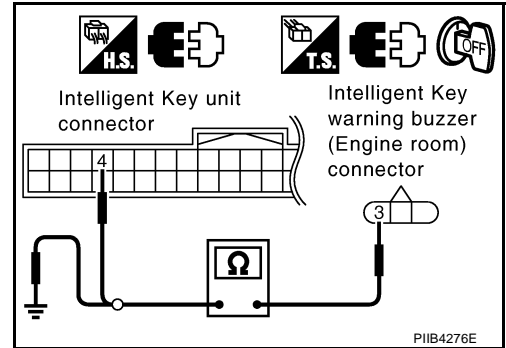
3. Check continuity between Intelligent Key warning buzzer (engine room) harness connector E45 terminal 3 and ground.

3 (GR) - Ground : Continuity should not exist.

OK or NG

OK >> GO TO 3.

NG >> Repair or replace harness between Intelligent Key warning buzzer (engine room) and Intelligent Key unit.



3. CHECK INTELLIGENT KEY WARNING BUZZER (ENGINE ROOM) OPERATION

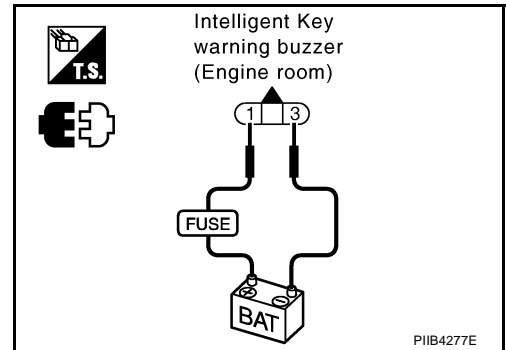
Connect battery power supply to Intelligent Key warning buzzer (engine room) harness connector E45 terminals 1 and 3, and check the operation.

1 (BAT+) - 3 (BAT-) : the buzzer sounds

OK or NG

OK >> Intelligent Key warning buzzer (engine room) is OK.

NG >> Replace Intelligent Key warning buzzer (engine room).



INTELLIGENT KEY SYSTEM

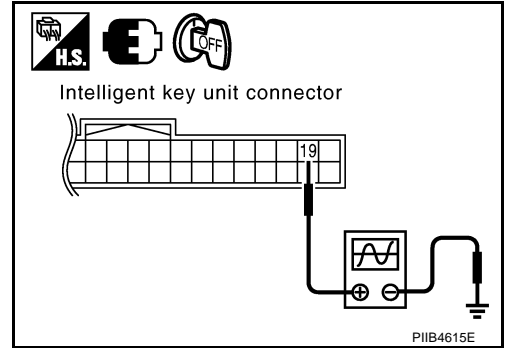
AIS006CO

Check Outside Key Antenna CHECK OUTSIDE KEY ANTENNA (DRIVER SIDE)

1. CHECK OUTSIDE KEY ANTENNA INPUT SIGNAL

1. Turn ignition switch OFF.
2. Disconnect outside key antenna (door mirror) connector.
3. Check signal between Intelligent Key unit connector and ground with oscilloscope.

Con- nec- tor	Item	Terminal (wire color)		Condi- tion	Signal (Reference value)
		(+)	(-)		
M99	Driver side	19 (P)	Ground	Request switch is pushed	



4. Disconnect outside key antenna (rear door LH) connector.
5. Connect outside key antenna (door mirror) connector.
6. Check signal between Intelligent Key unit connector and ground with oscilloscope.

Con- nec- tor	Item	Terminal (wire color)		Condi- tion	Signal (Reference value)
		(+)	(-)		
M99	Driver side	19 (P)	Ground	Request switch is pushed	

OK or NG

- OK >> Check condition of harness and connector.
 NG >> GO TO 2.

A
B
C
D
E
F
G
H
BL
J
K
L
M

INTELLIGENT KEY SYSTEM

2. CHECK OUTSIDE KEY ANTENNA CIRCUIT

1. Disconnect Intelligent Key unit connector and outside key antenna (door mirror) connector.
2. Check continuity between each outside key antenna harness connector and Intelligent Key unit connector.

Item	Connector	Terminal (Wire color)	Connector	Terminal (Wire color)	Continuity
Door mirror (driver side)	D2	1 (P)	M99	19 (P)	Yes
		12 (V)		20 (V)	
Rear door LH	D57	1 (P)		19 (P)	
		2 (V)		20 (V)	

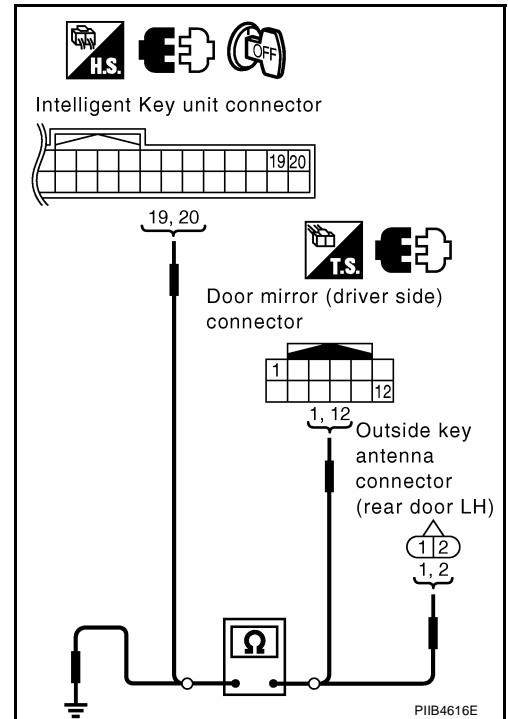
3. Check continuity between each outside key antenna connector and ground.

Item	Connector	Terminal	Continuity
Door mirror (driver side)	D2	1 (P)	Ground
		12 (V)	
Rear door LH	D57	1 (P)	
		2 (V)	

OK or NG

OK >> GO TO 3.

NG >> Replace harness between outside key antenna and Intelligent Key unit.

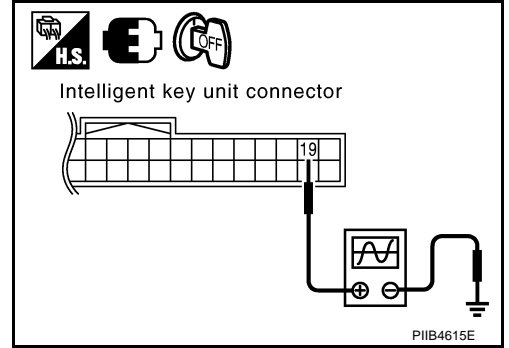


INTELLIGENT KEY SYSTEM

3. CHECK OUTSIDE KEY ANTENNA POWER SUPPLY

1. Replace outside key antenna (door mirror). (New antenna or other antenna)
2. Connect Intelligent Key unit connector and outside key antenna (door mirror) connector.
3. Check signal between Intelligent Key unit connector and ground with oscilloscope.

Con- nec- tor	Item	Terminal (wire color)		Condi- tion	Signal (Reference value)
		(+)	(-)		
M99	Driver side	19 (P)	Ground	Request switch is pushed	



4. Disconnect outside key antenna (door mirror) connector.
5. Replace outside key antenna (rear door LH). (New antenna or other antenna)
6. Connect outside key antenna (rear door LH) connector.
7. Check signal between Intelligent Key unit connector and ground with oscilloscope.

Con- nec- tor	Item	Terminal (wire color)		Condi- tion	Signal (Reference value)
		(+)	(-)		
M99	Driver side	19 (P)	Ground	Request switch is pushed	

OK or NG

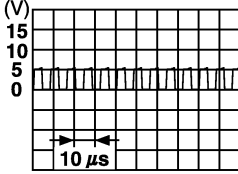
- OK >> Check condition of harness and connector.
- NG >> Replace malfunction outside key antenna.

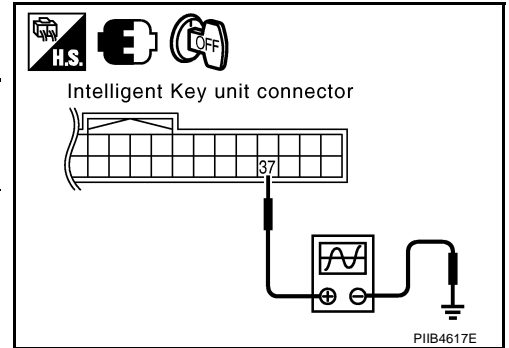
INTELLIGENT KEY SYSTEM

CHECK OUTSIDE KEY ANTENNA (PASSENGER SIDE)

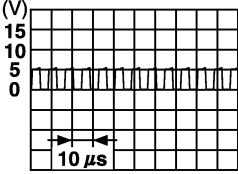
1. CHECK OUTSIDE KEY ANTENNA INPUT SIGNAL

1. Turn ignition switch OFF.
2. Disconnect outside key antenna (door mirror) connector.
3. Check signal between Intelligent Key unit connector and ground with oscilloscope.

Con- nec- tor	Item	Terminal (wire color)		Condi- tion	Signal (Reference value)
		(+)	(-)		
M99	Passenger side	37 (LG)	Ground	Request switch is pushed	 <p style="text-align: right; font-size: small;">SIIA1910J</p>



4. Disconnect outside key antenna (rear door RH) connector.
5. Connect outside key antenna (door mirror) connector.
6. Check signal between Intelligent Key unit connector and ground with oscilloscope.

Con- nec- tor	Item	Terminal (wire color)		Condi- tion	Signal (Reference value)
		(+)	(-)		
M99	Passenger side	37 (LG)	Ground	Request switch is pushed	 <p style="text-align: right; font-size: small;">SIIA1910J</p>

OK or NG

- OK >> Check condition of harness and connector.
 NG >> GO TO 2.

INTELLIGENT KEY SYSTEM

2. CHECK OUTSIDE KEY ANTENNA CIRCUIT

1. Disconnect Intelligent Key unit connector and outside key antenna (door mirror) connector.
2. Check continuity between each outside key antenna harness connector and Intelligent Key unit connector.

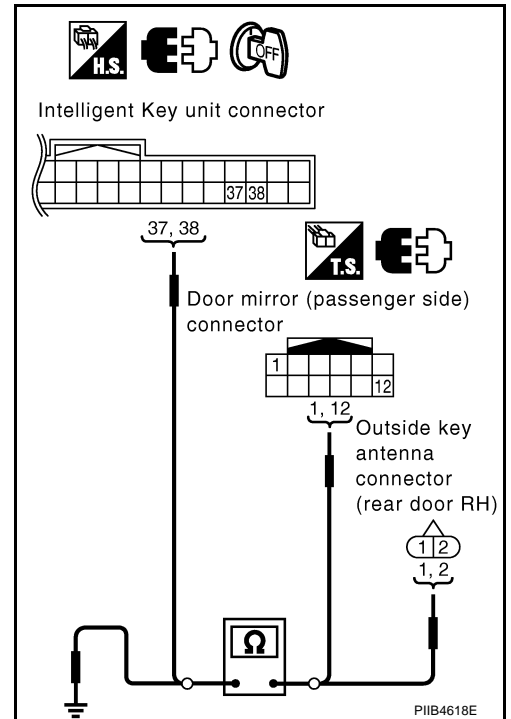
Item	Connector	Terminal (Wire color)	Connector	Terminal (Wire color)	Continuity
Door mirror (passenger side)	D32	1 (LG)	M99	37 (LG)	Yes
		12 (B/Y)		38 (B/Y)	
Rear door RH	D77	1 (LG)		37 (LG)	
		2 (B/Y)		38 (B/Y)	

3. Check continuity between each outside key antenna connector and ground.

Item	Connector	Terminal	Continuity
Door mirror (passenger side)	D32	1 (LG)	No
		12 (B/Y)	
Rear door RH	D77	1 (LG)	
		2 (B/Y)	

OK or NG

- OK >> GO TO 3.
 NG >> Replace harness between outside key antenna and Intelligent Key unit.



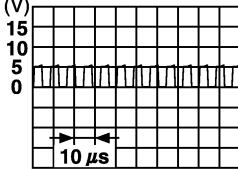
A
B
C
D
E
F
G
H
J
K
L
M

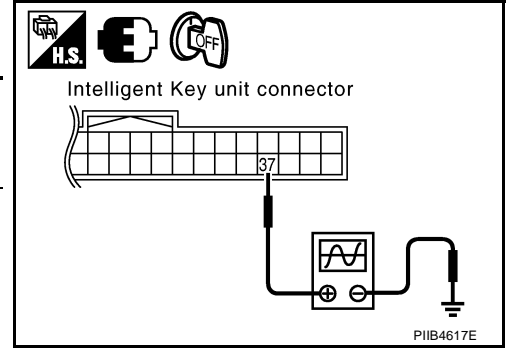
BL

INTELLIGENT KEY SYSTEM

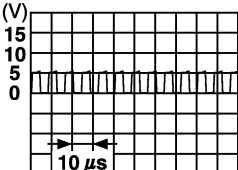
3. CHECK OUTSIDE KEY ANTENNA POWER SUPPLY

1. Replace outside key antenna (door mirror). (New antenna or other antenna)
2. Connect Intelligent Key unit connector and outside key antenna (door mirror) connector.
3. Check signal between Intelligent Key unit connector and ground with oscilloscope.

Con- nec- tor	Item	Terminal (wire color)		Condi- tion	Signal (Reference value)
		(+)	(-)		
M99	Passenger side	37 (LG)	Ground	Request switch is pushed	 <p style="text-align: right; font-size: small;">SIIA1910J</p>



4. Disconnect outside key antenna (door mirror) connector.
5. Replace outside key antenna (rear door RH). (New antenna or other antenna)
6. Connect outside key antenna (rear door RH) connector.
7. Check signal between Intelligent Key unit connector and ground with oscilloscope.

Con- nec- tor	Item	Terminal (wire color)		Condi- tion	Signal (Reference value)
		(+)	(-)		
M99	Passenger side	37 (LG)	Ground	Request switch is pushed	 <p style="text-align: right; font-size: small;">SIIA1910J</p>

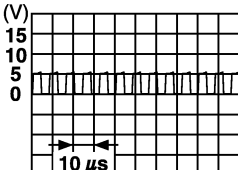
OK or NG

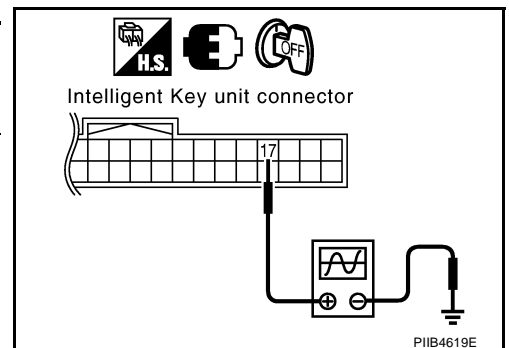
- OK >> Check condition of harness and connector.
- NG >> Replace malfunction outside key antenna.

CHECK OUTSIDE KEY ANTENNA (REAR BUMPER)

1. CHECK OUTSIDE KEY ANTENNA INPUT SIGNAL

1. Turn ignition switch OFF.
2. Check signal between Intelligent Key unit connector and ground with oscilloscope.

Con- nec- tor	Item	Terminal (wire color)		Condi- tion	Signal (Reference value)
		(+)	(-)		
M99	Rear bumper	17 (W/L)	Ground	Request switch is pushed	 <p style="text-align: right; font-size: small;">SIIA1910J</p>



OK or NG

- OK >> Check condition of harness and connector.
- NG >> GO TO 2.

INTELLIGENT KEY SYSTEM

2. CHECK OUTSIDE KEY ANTENNA CIRCUIT

1. Disconnect Intelligent Key unit connector and outside key antenna (rear bumper) connector.
2. Check continuity between outside key antenna (rear bumper) connector and Intelligent Key unit connector.

Item	Connector	Terminal (Wire color)	Connector	Terminal (Wire color)	Continuity
Rear bumper	B38	1 (W)	M99	17 (W)	Yes
		2 (B)		18 (B)	

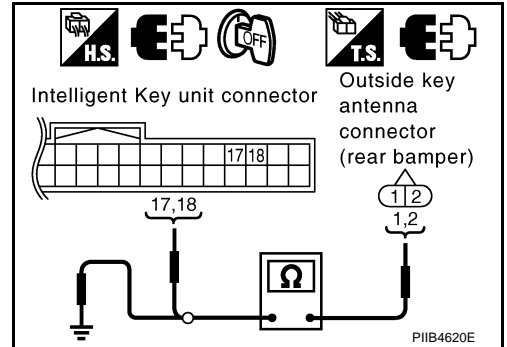
3. Check continuity between outside key antenna harness connector and ground.

Item	Connector	Terminal	Continuity
Rear bumper	B38	1 (W)	No
		2 (B)	

OK or NG

OK >> GO TO 3.

NG >> Replace harness between outside key antenna and Intelligent Key unit.



3. CHECK OUTSIDE KEY ANTENNA POWER SUPPLY

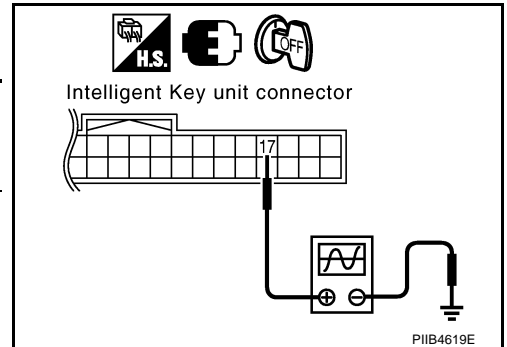
1. Replace outside key antenna (rear bumper). (New antenna or other antenna)
2. Connect Intelligent Key unit connector and outside key antenna connector.
3. Check signal between Intelligent Key unit connector and ground with oscilloscope.

Connector	Item	Terminal (wire color)		Condition	Signal (Reference value)
		(+)	(-)		
M99	Rear bumper	17 (W)	Ground	Request switch is pushed	<p>The oscilloscope shows a square wave signal. The vertical axis is labeled (V) with values 0, 5, 10, and 15. The horizontal axis is labeled 10 μs. The signal is a square wave between approximately 5V and 10V. The diagram is labeled SIIA1910J.</p>

OK or NG

OK >> Replace outside key antenna (rear bumper).

NG >> Replace Intelligent Key unit.



INTELLIGENT KEY SYSTEM

AIS006CP

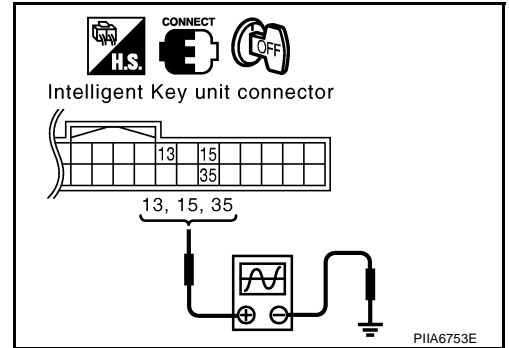
Check Inside Key Antenna

1. CHECK INSIDE KEY ANTENNA POWER SUPPLY SIGNAL 1

1. Turn ignition switch OFF.
2. Check signal between Intelligent Key unit connector and ground with oscilloscope.

Con- nec- tor	Item	Terminal (Wire color)		Condi- tion	Signal (V) (Reference value)
		(+)	(-)		
M99	Luggage room	13 (Y)	Ground	Ignition switch is pushed.	
	Console	15 (L)			
	Dash-board	35 (O)			

SIIA1910J



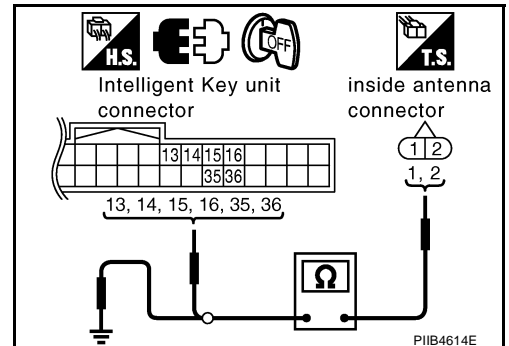
OK or NG

- OK >> Inside key antenna is OK.
 NG >> GO TO 2.

2. CHECK INSIDE KEY ANTENNA

1. Disconnect Intelligent Key unit connector and inside key antenna connectors.
2. Check continuity between inside key antenna harness connector M102 (Console), M109 (dashboard), B122 (luggage room) terminals 1, 2 and Intelligent Key unit harness connector M99 terminals 13, 14, 15, 16, 35 and 36.

Item	Conne- ctor	Terminal (Wire color)	Conne- ctor	Terminal (Wire color)	Continuity
Luggage room	B122	1 (W)	M99	13 (Y)	Yes
		2 (B)		14 (BR)	
Console	M102	1 (B/W)		15 (L)	
		2 (L)		16 (B/W)	
Dashboard	M109	1 (O)		35 (O)	
		2 (B/P)		36 (B/P)	



3. Check continuity between inside key antenna harness connector M102 (Console), M109 (dash board), B122 (luggage room) terminals 1, 2 and ground.

Item	Connector	Terminal (Wire color)	Continuity
Luggage room	B122	1 (W)	No
		2 (B)	
Console	M102	1 (B/W)	
		2 (L)	
Dashboard	M109	1 (O)	
		2 (B/P)	

OK or NG

- OK >> GO TO 3.
 NG >> Repair or replace harness between inside key antenna and Intelligent Key unit.

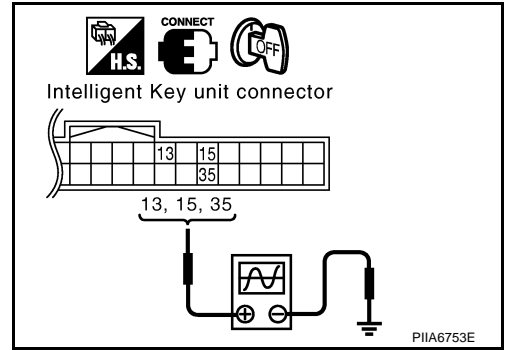
INTELLIGENT KEY SYSTEM

3. CHECK INSIDE KEY ANTENNA POWER SIGNAL 2

1. Replace inside key antenna. (New antenna or other antenna)
2. Connect Intelligent key unit connector.
3. Check signal between Intelligent Key unit connector and ground with oscilloscope.

Con- nec- tor	Item	Terminal (Wire color)		Condi- tion	Signal (V) (Reference value)
		(+)	(-)		
M99	Luggage room	13 (Y)	Ground	Ignition switch is pushed.	
	Console	15 (L)			
	Dash-board	35 (O)			

SIIA1910J



OK or NG

- OK >> Replace inside key antenna.
 NG >> Replace Intelligent key unit.

Check Steering Lock Unit

AIS006CQ

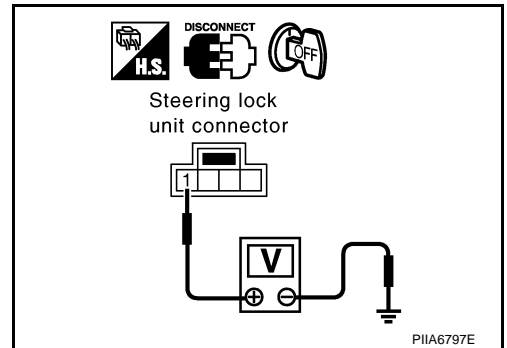
1. CHECK STEERING LOCK UNIT POWER SUPPLY

1. Turn ignition switch OFF.
2. Disconnect steering lock unit connector.
3. Check voltage between steering lock unit harness connector M101 terminal 1 and ground.

1 (G/Y) - Ground : Battery voltage

OK or NG

- OK >> GO TO 2.
 NG >> Repair or replace steering lock unit power supply circuit.



INTELLIGENT KEY SYSTEM

2. CHECK STEERING LOCK UNIT COMMUNICATION CIRCUIT

1. Disconnect Intelligent Key unit connector.
2. Check continuity between Intelligent Key unit harness connector M99 terminals 1, 31, 32 and steering lock unit connector M101 terminals 2, 3, 4.

1 (L/Y) - 2 (L/Y) : Continuity should exist.

31 (G/R) - 4 (G/R) : Continuity should exist.

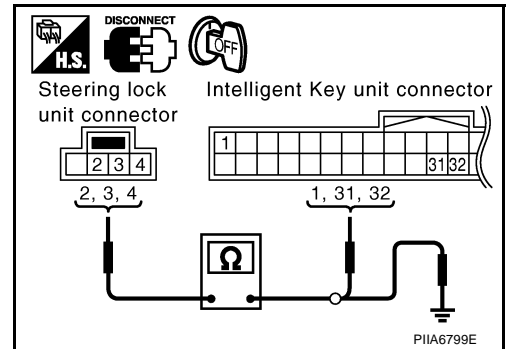
32 (L/O) - 3 (L/O) : Continuity should exist.

3. Check continuity between steering lock unit harness connector M99 terminals 2, 3, 4 and ground.

2 (L/Y) - Ground : Continuity should not exist.

3 (L/O) - Ground : Continuity should not exist.

4 (G/R) - Ground : Continuity should not exist.



OK or NG

OK >> GO TO 3.

NG >> Repair or replace harness between steering lock unit and Intelligent Key unit.

3. CHECK STEERING LOCK UNIT GROUND CIRCUIT

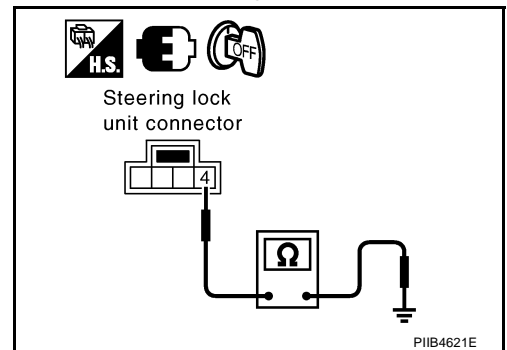
1. Connect intelligent key unit and steering lock unit connectors.
2. Check continuity between steering lock unit harness connector M101 terminal 4 and ground.

4 (G/R) - Ground : Continuity should exist.

OK or NG

OK >> GO TO 4.

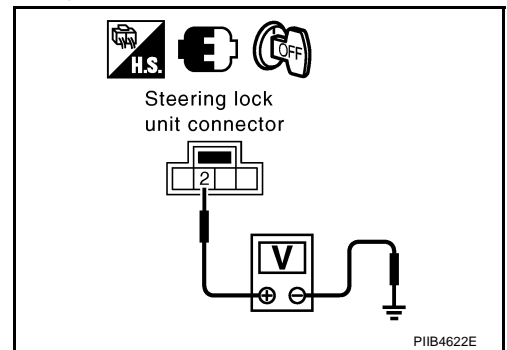
NG >> Replace intelligent key unit.



4. CHECK STEERING LOCK COMMUNICATION CIRCUIT

Check voltage between steering lock unit connector M101 terminal 2 and ground.

2 (L/Y) - Ground : Approx. 5V



OK or NG

OK >> GO TO 5.

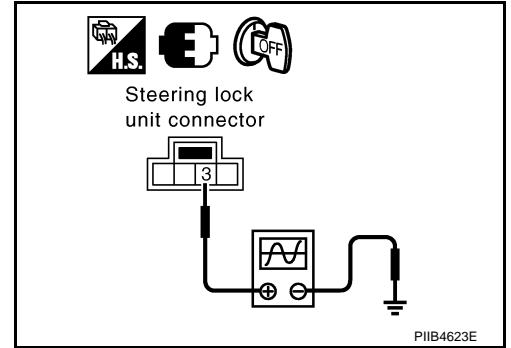
NG >> Replace intelligent key unit.

INTELLIGENT KEY SYSTEM

5. CHECK STEERING LOCK UNIT SIGNAL

Immediately after pushing ignition switch, use an oscilloscope to check signal between steering lock unit connector M101 terminal 3 and ground.

Connector	Terminal (Wire color)		Condition	Signal (V) (Reference value)
	(+)	(-)		
M101	3 (L/O)	Ground	Ignition switch is pushed	 SIA1911J



OK or NG

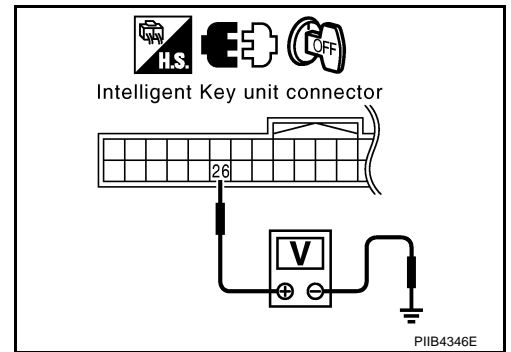
- OK >> Replace steering lock unit.
- NG >> Replace Intelligent Key unit.

Check Stop Lamp Switch

1. CHECK INTELLIGENT KEY UNIT INPUT SIGNAL

1. Turn ignition switch OFF.
2. Disconnect Intelligent Key unit connector.
3. Check voltage between Intelligent Key unit harness connector M99 terminal 26 and ground.

Connector	Terminal (wire color)		Condition	Voltage (V) (Approx.)
	(+)	(-)		
M99	26 (R/G)	Ground	Brake pedal depressed	Battery voltage
			Brake pedal released	0



OK or NG

- OK >> Stop lamp switch is OK.
- NG >> GO TO 2.

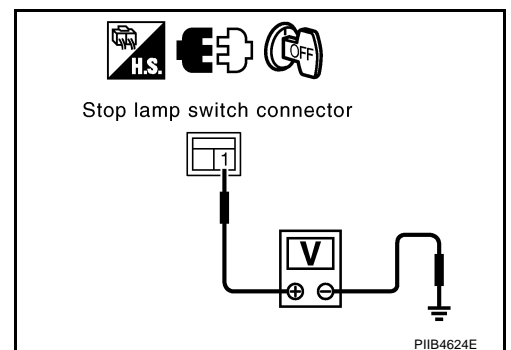
2. CHECK STOP LAMP SWITCH POWER SUPPLY CIRCUIT

Check voltage between stop lamp switch harness connector E116 terminal 1 and ground.

1 (R/Y) - Ground : Battery voltage

OK or NG

- OK >> GO TO 3.
- NG >> Repair or replace harness between stop lamp switch power supply circuit and fuse.



INTELLIGENT KEY SYSTEM

3. CHECK STOP LAMP SWITCH OPERATION

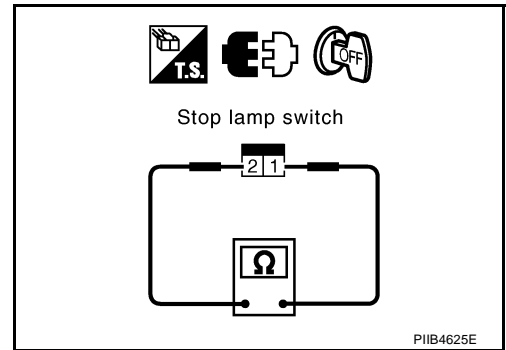
Check continuity between stop lamp switch connector E116 terminal 1 and 2.

Connector	Terminal		Condition	Continuity
	1	2		
E116	1	2	Brake pedal depressed	Yes
			Brake pedal not depressed	No

OK or NG

OK >> GO TO 4.

NG >> Replace stop lamp switch.



4. CHECK STOP LAMP SWITCH CIRCUIT

1. Check continuity between Intelligent Key unit harness connector M99 terminal 26 and stop lamp switch harness connector E116 terminal 2.

26 (R/G) - 2 (R/G) : Continuity should exist.

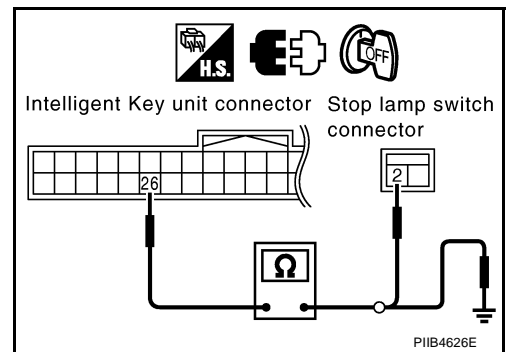
2. Check continuity between Intelligent Key unit harness connector M99 terminal 26 and ground.

26 (R/G) - Ground : Continuity should not exist.

OK or NG

OK >> Check condition of harness and connector.

NG >> Repair or replace harness.



Check Park Position Switch

1. CHECK PARK POSITION SWITCH INPUT SIGNAL

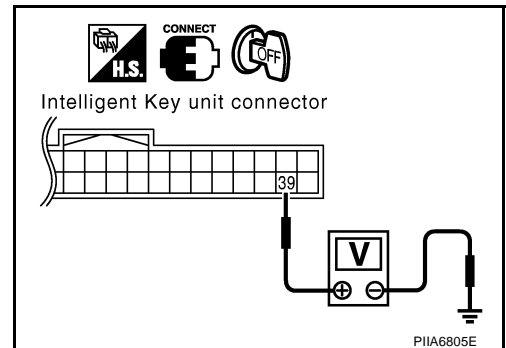
1. Turn ignition switch OFF.
2. Check voltage between Intelligent Key unit harness connector and ground.

Connector	Terminal (Wire color)		Condition	Voltage (V) (Approx.)
	(+)	(-)		
M99	39 (L/W)	Ground	Selector lever is in "P" position	0
			Other than above	Battery voltage

OK or NG

OK >> Park position switch circuit is OK.

NG >> GO TO 2.



INTELLIGENT KEY SYSTEM

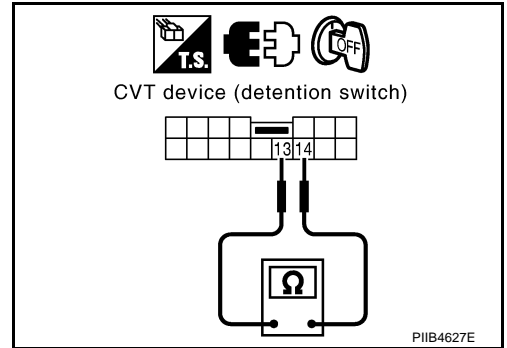
2. CHECK PARK POSITION SWITCH

1. Disconnect CVT device (detention switch) connector.
2. Check continuity between CVT device (detention switch) terminals 13 and 14.

Connector	Terminal	Condition	Continuity
M57	13 14	Selector lever is in "P" position	No
		Other than above	Yes

OK or NG

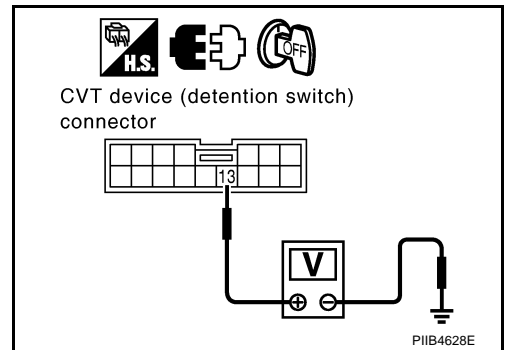
- OK >> GO TO 3.
 NG >> Check CVT shift lock system. Refer to [CVT-216, "CVT SHIFT LOCK SYSTEM"](#).



3. CHECK PARK POSITION SWITCH POWER SUPPLY CIRCUIT

Check continuity between CVT device (detention switch) harness connector M57 terminal 13 and ground.

13 (R/Y) – Ground : Battery voltage



OK or NG

- OK >> GO TO 4.
 NG >> Repair or replace harness.

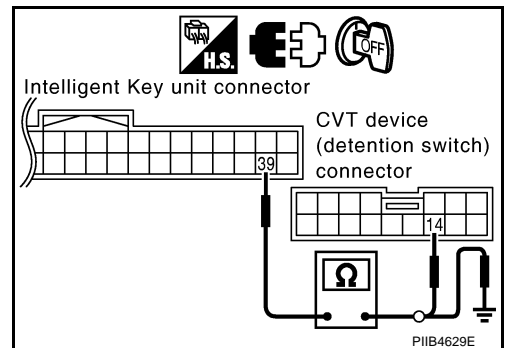
4. CHECK PARK POSITION SWITCH CIRCUIT

1. Disconnect Intelligent Key unit connector.
2. Check continuity between Intelligent Key unit harness connector M99 terminal 39 and CVT device (detention switch) harness connector M57 terminal 14.

39 (L/W) – 14 (L/W) : Continuity should exist.

3. Check continuity between Intelligent Key unit harness connector M75 terminals 39 and ground.

39 (L/W) – Ground : Continuity should not exist.



OK or NG

- OK >> Replace Intelligent Key unit.
 NG >> Repair or replace harness.

INTELLIGENT KEY SYSTEM

AIS006CT

Check Select Unlock Relay

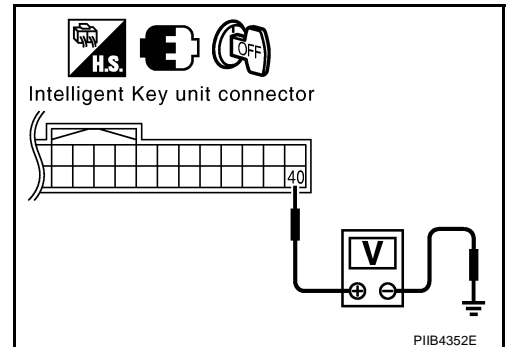
1. CHECK PASSENGER SIDE SELECT UNLOCK RELAY INPUT SIGNAL

1. Turn ignition switch OFF.
2. Check voltage between Intelligent Key unit harness connector and ground.

Con- nector	Terminals		Condition	Voltage (V) (Approx.)
	(+)	(-)		
M99	40 (L/R)	Ground	Press door request switch (passenger side) once	0
			Other than above	Battery voltage

OK or NG

- OK >> Passenger side select unlock relay circuit is OK.
 NG >> GO TO 2.



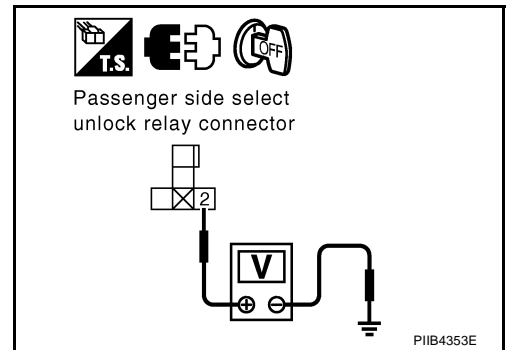
2. CHECK PASSENGER SIDE SELECT UNLOCK RELAY POWER SUPPLY CIRCUIT

1. Disconnect passenger side select unlock relay.
2. Check voltage between passenger side select unlock harness connector M123 terminal 2 and ground.

2 (Y/R) – Ground : Battery voltage.

OK or NG

- OK >> GO TO 3.
 NG >> Repair or replace passenger side select unlock relay power circuit.



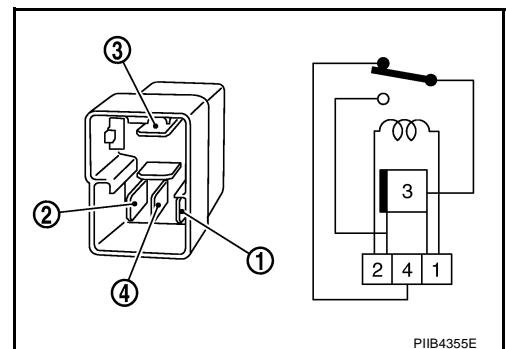
3. CHECK PASSENGER SIDE SELECT UNLOCK RELAY

Check continuity between passenger side select unlock relay terminals 3 and 4.

Connector	Terminals		Condition	Continuity
M123	3	4	12V direct current supply between terminals 1 and 2	Yes
			Other than above	No

OK or NG

- OK >> GO TO 4
 NG >> Replace passenger side select unlock relay.



INTELLIGENT KEY SYSTEM

4. CHECK PASSENGER SIDE SELECT UNLOCK RELAY CIRCUIT

1. Disconnect Intelligent Key unit connector.
2. Check continuity between Intelligent Key unit harness connector M99 terminal 40 and passenger side select unlock relay harness connector M123 terminal 1.

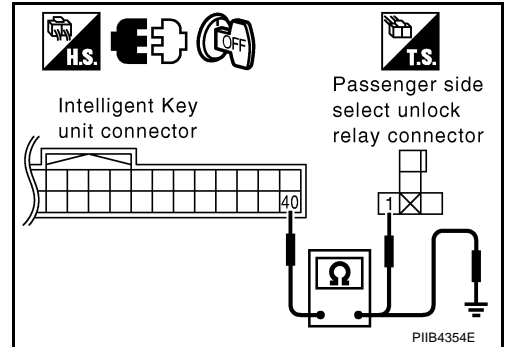
40 (L/R) – 1 (L/R) : Continuity should exist.

3. Check continuity between Intelligent Key unit harness connector M99 terminal 40 and ground.

40 (L/R) – Ground : Continuity should not exist.

OK or NG

- OK >> Check condition of harness and connector.
 NG >> Repair or replace harness between Intelligent Key unit and passenger side select unlock relay.



AIS006CU

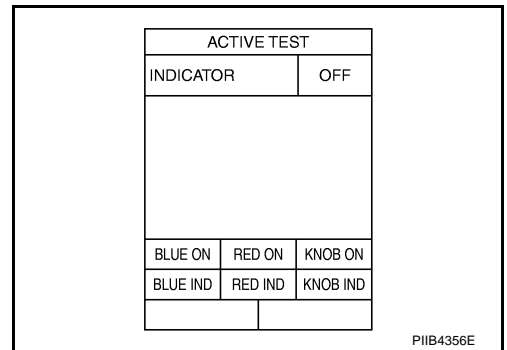
Check “P-SHIFT” Warning Lamp

1. CHECK WARNING LAMP OPERATION

Ⓟ With CONSULT-II

- Check “INDICATOR” in “ACTIVE TEST” mode with CONSULT-II.
- Select “KNOB ON”.

“P-SHIFT” warning lamp should illuminate.



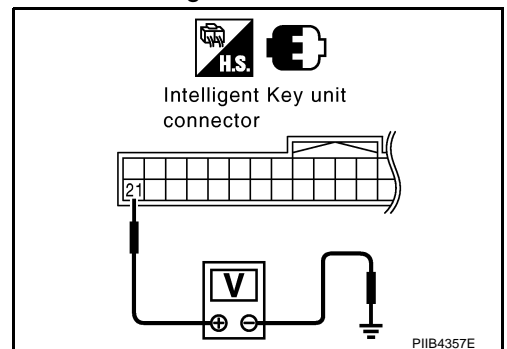
⊗ Without CONSULT-II

Check voltage between Intelligent Key unit harness connector M99 terminal 21 and ground.

Connector	Terminal (Wire color)		Condition	Voltage (V) (Approx.)
	(+)	(-)		
M99	21 (BR/Y)	Ground	Within 2 seconds after ignition knob switch is turned ON	0
			Other than above	Battery voltage

OK or NG

- OK >> INSPECTION END
 NG >> GO TO 2.



INTELLIGENT KEY SYSTEM

2. CHECK COMBINATION METER CIRCUIT

1. Turn ignition switch OFF.
2. Disconnect Intelligent Key unit connector and combination meter connector.
3. Check continuity Intelligent Key unit harness connector M99 terminal 21 and combination meter harness connector M25 terminal 13.

21 (BR/Y) - 13 (BR/Y) : Continuity should exist.

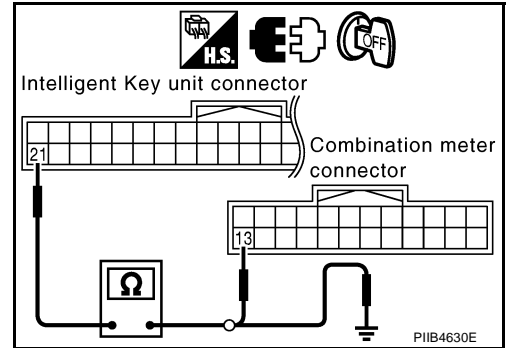
4. Check continuity Intelligent Key unit harness connector M99 terminal 21 and ground.

21(BR/Y) - Ground : Continuity should not exist.

OK or NG

OK >> GO TO 3.

NG >> Repair or replace harness between Intelligent Key unit and combination meter.



3. CHECK INTELLIGENT KEY UNIT INPUT SIGNAL

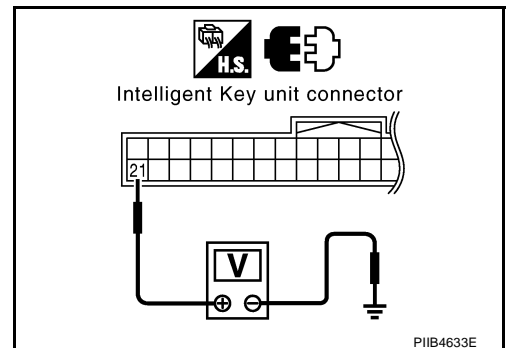
1. Connect combination meter connector.
2. Check voltage between Intelligent Key unit harness connector M99 terminal 21 and ground.

21 (BR/Y) - Ground : Batter voltage

OK or NG

OK >> Check condition of harness and connector.

NG >> Check combination meter. Refer to [DI-4, "COMBINATION METERS"](#).



INTELLIGENT KEY SYSTEM

Check "KEY" Warning Lamp (RED)

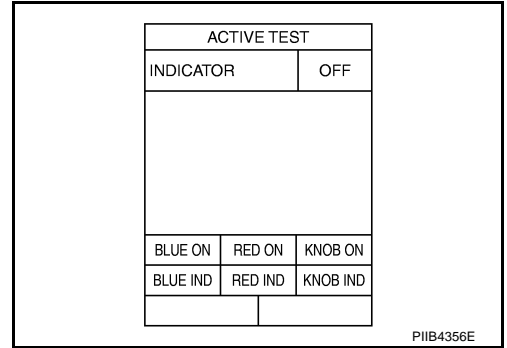
AIS006CV

1. CHECK WARNING LAMP OPERATION

With CONSULT-II

- Check "INDICATOR" in "ACTIVE TEST" mode with CONSULT-II.
- Select "RED ON".

"KEY" warning lamp (red) should illuminate.



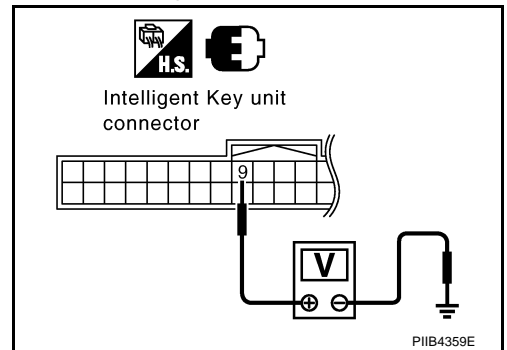
Without CONSULT-II

Check voltage between Intelligent Key unit harness connector M99 terminal 9 and ground.

Connector	Terminal (Wire color)		Condition	Voltage (V) (Approx.)
	(+)	(-)		
M99	9 (G/B)	Ground	When Intelligent Key is outside vehicle, press ignition switch.	0
			Ignition switch OFF	Battery voltage

OK or NG

- OK >> INSPECTION END
 NG >> GO TO 2.



2. CHECK COMBINATION METER CIRCUIT

1. Turn ignition switch OFF.
2. Disconnect Intelligent Key unit connector and combination meter connector.
3. Check continuity Intelligent Key unit harness connector M99 terminal 9 and combination meter harness connector M25 terminal 7.

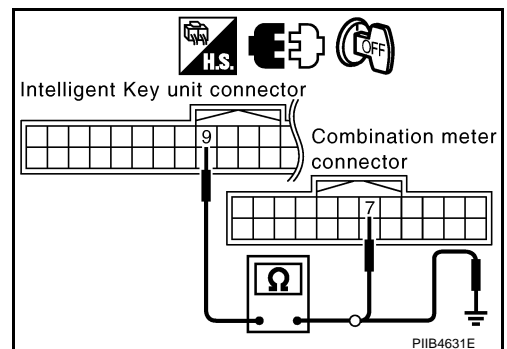
9 (G/B) - 7 (G/B) : Continuity should exist.

4. Check continuity Intelligent Key unit harness connector M99 terminal 9 and ground.

9 (G/B) - Ground : Continuity should not exist.

OK or NG

- OK >> GO TO 3.
 NG >> Repair or replace harness between Intelligent Key unit and combination meter.



INTELLIGENT KEY SYSTEM

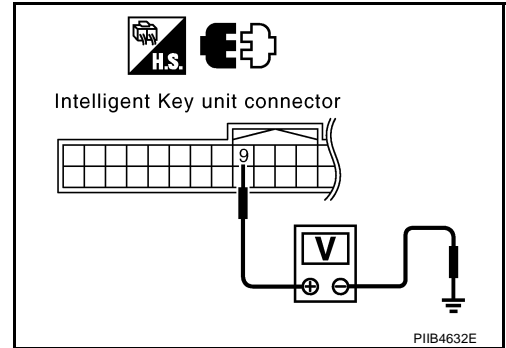
3. CHECK INTELLIGENT KEY UNIT INPUT SIGNAL

1. Connect combination meter connector.
2. Check voltage between Intelligent Key unit harness connector M99 terminal 9 and ground.

9 (G/B) - Ground : Batter voltage

OK or NG

- OK >> Check condition of harness and connector.
 NG >> Check combination meter. Refer to [DI-4, "COMBINATION METERS"](#).



A/S006CW

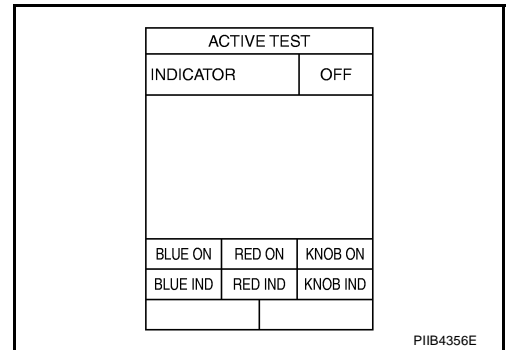
Check "KEY" Warning Lamp (GREEN)

1. CHECK WARNING LAMP OPERATION

With CONSULT-II

- Check "INDICATOR" in "ACTIVE TEST" mode with CONSULT-II.
- Select "BLUE ON".

"KEY" warning lamp (green) should illuminate.



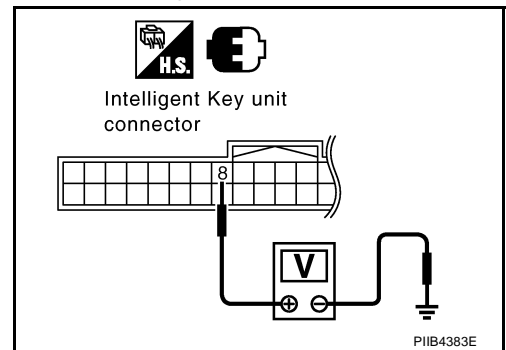
Without CONSULT-II

Check voltage between Intelligent Key unit harness connector M99 terminal 8 and ground.

Connector	Terminal (Wire cooler)		Condition	Voltage (V) (Approx.)
	(+)	(-)		
M99	8 (L/W)	Ground	When Intelligent Key is inside vehicle, press ignition switch.	0
			Ignition switch OFF	Battery voltage

OK or NG

- OK >> INSPECTION END
 NG >> GO TO 2.



INTELLIGENT KEY SYSTEM

2. CHECK COMBINATION METER CIRCUIT

1. Turn ignition switch OFF.
2. Disconnect Intelligent Key unit connector and combination meter connector.
3. Check continuity Intelligent Key unit harness connector M99 terminal 8 and combination meter harness connector M25 terminal 8.

8 (L/W) - 8 (L/W) : Continuity should exist.

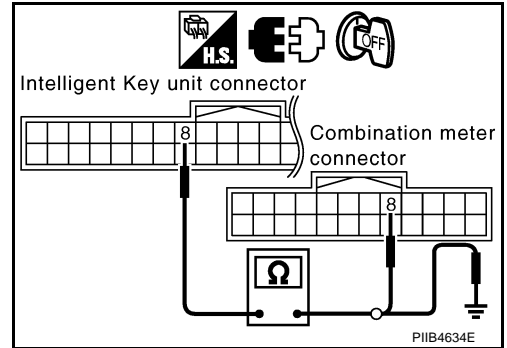
4. Check continuity Intelligent Key unit harness connector M99 terminal 8 and ground.

8 (L/W) - Ground : Continuity should not exist.

OK or NG

OK >> GO TO 3.

NG >> Repair or replace harness between Intelligent Key unit and combination meter.



3. CHECK INTELLIGENT KEY UNIT INPUT SIGNAL

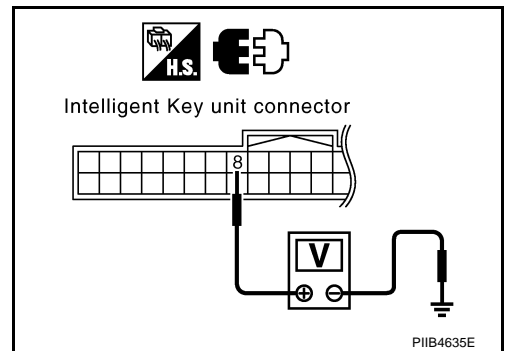
1. Connect combination meter connector.
2. Check voltage between Intelligent Key unit harness connector M99 terminal 8 and ground.

8 (L/W) - Ground : Batter voltage

OK or NG

OK >> Check condition of harness and connector.

NG >> Check combination meter. Refer to [DI-4, "COMBINATION METERS"](#).



Check Hazard Function

1. CHECK HAZARD WARNING LAMP

Does hazard warning lamp flash with hazard switch?

YES or NO

YES >> Hazard warning lamp circuit is OK.

NO >> Check hazard circuit. Refer to [LT-123, "TURN SIGNAL AND HAZARD WARNING LAMPS"](#).

Check Horn Function

First perform the "SELF-DIAG RESULTS" in "BCM" with CONSULT-II, then perform the trouble diagnosis of malfunction system indicated "SELF-DIAG RESULTS" of "BCM". Refer to [BCS-15, "CAN Communication Inspection Using CONSULT-II \(Self-Diagnosis\)"](#).

1. CHECK HORN FUNCTION

Does horn sound with horn switch?

YES or NO

YES >> Horn circuit is OK.

NO >> Check horn circuit. Refer to [WW-57, "HORN"](#).

INTELLIGENT KEY SYSTEM

AIS006CZ

Check IPDM E/R Operation

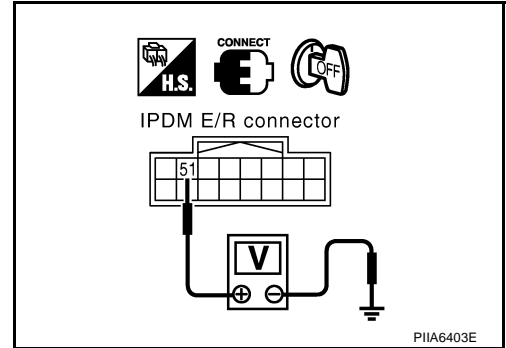
1. CHECK IPDM E/R INPUT SIGNAL

Check voltage between IPDM E/R harness connector E9 terminal 51 and ground.

51 (G/O) – Ground : Battery voltage

OK or NG

- OK >> Replace IPDM E/R.
- NG >> GO TO 2.



2. CHECK IPDM E/R CIRCUIT

1. Turn ignition switch OFF.
2. Disconnect IPDM E/R and horn relay connector.
3. Check continuity between IPDM E/R harness connector E9 terminal 51 and horn relay harness connector E11 terminal 1.

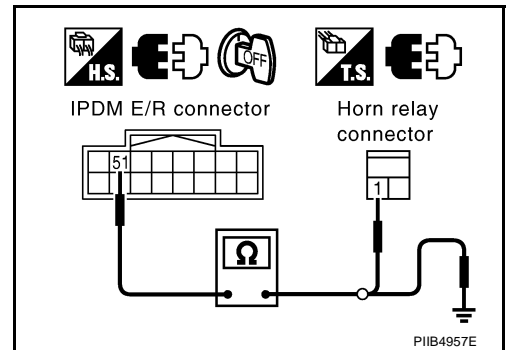
51 (G/O) – 1 (G/O) : Continuity should exist.

4. Check continuity between IPDM E/R harness connector E9 terminal 51 and ground.

51 (G/O) – Ground : Continuity should not exist.

OK or NG

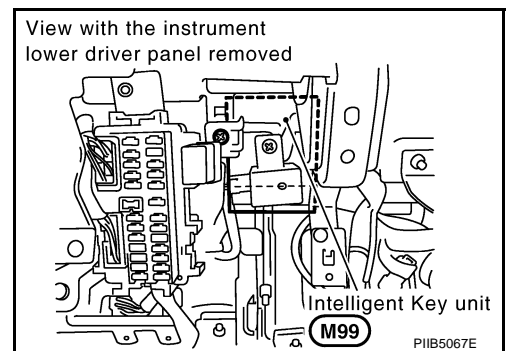
- OK >> Check harness connection.
- NG >> Repair or replace harness.



Removal and Installation of Intelligent Key Unit

REMOVAL

1. Remove the instrument lower driver panel. Refer to [IP-11, "Removal and Installation"](#).
2. Disconnect Intelligent Key unit connector, remove screw and Intelligent Key unit.



INSTALLATION

Installation is the reverse order of removal.

INTELLIGENT KEY SYSTEM

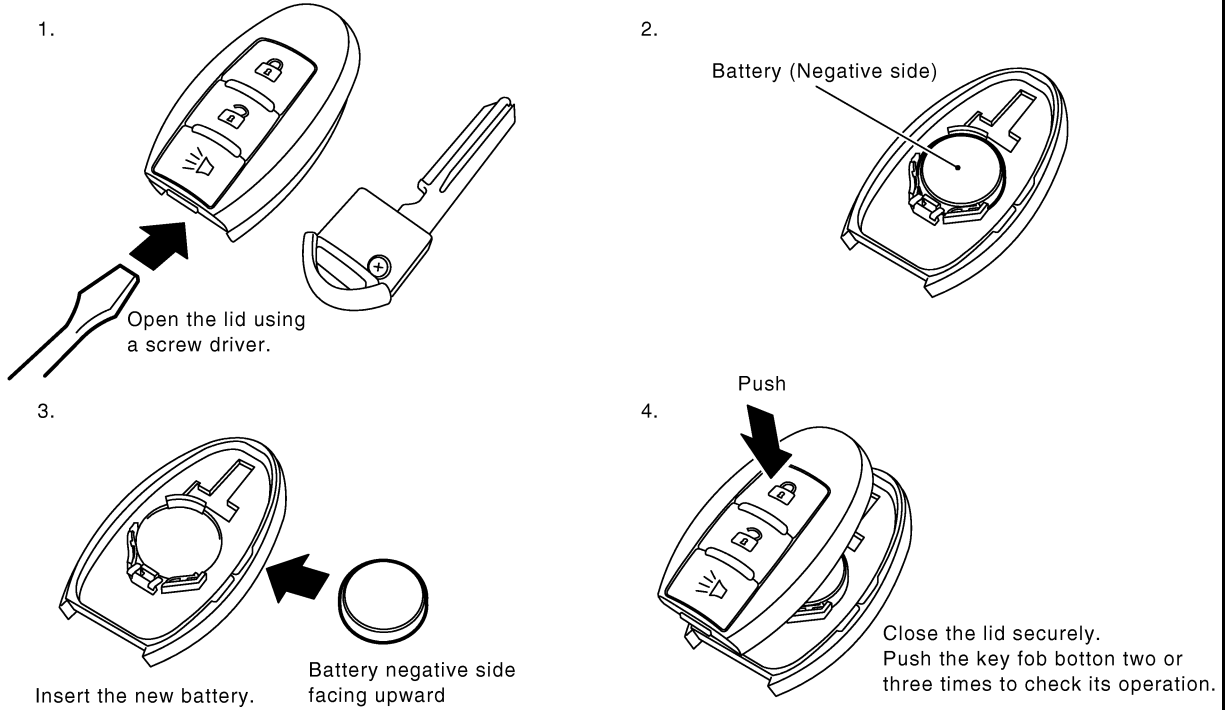
Intelligent Key Battery Replacement

AI/S006D1

SEC.998

NOTE:

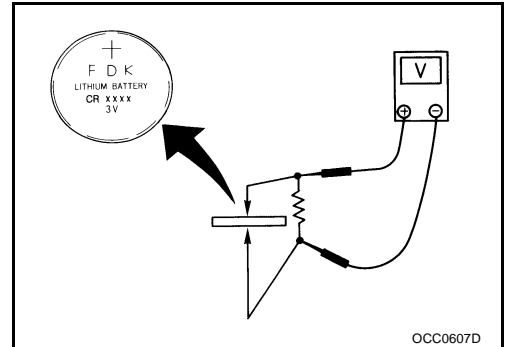
- Be careful not to touch the circuit board or battery terminal.
- The keyfob is water-resistant. However, if it does get wet, immediately wipe it dry.



INTELLIGENT KEY BATTERY INSPECTION

Check by connecting a resistance (approximately 300Ω) so that the current value becomes about 10 mA.

Standard : **Approx. 2.5 - 3.0V**



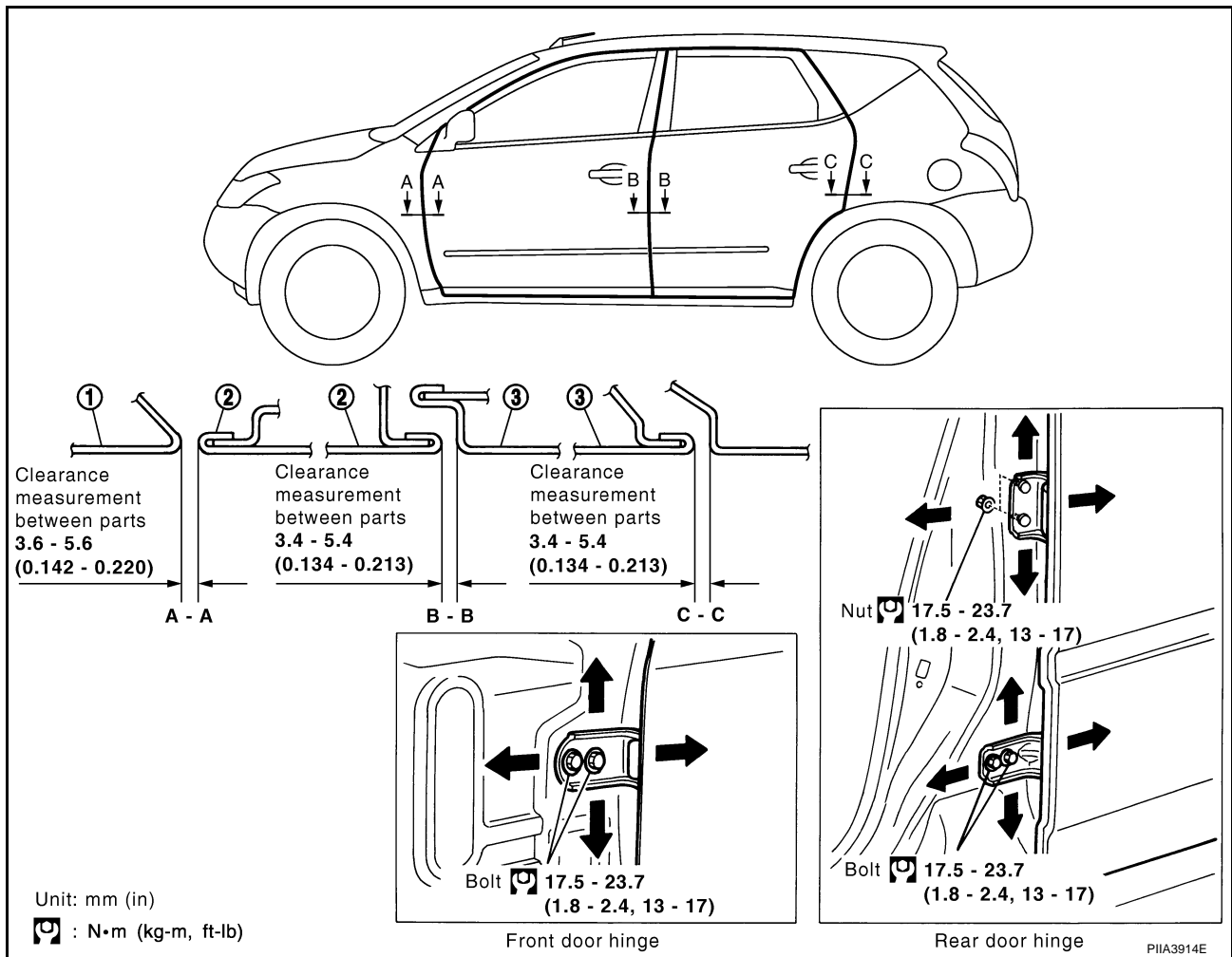
DOOR

PFP:80100

AI/S002B5

DOOR

Fitting Adjustment



1. Front fender

2. Front door outer

3. Rear door outer

FRONT DOOR

Longitudinal Clearance and Surface Height Adjustment at Front End

1. Loosen the hinge mounting bolts. Raise the front door at rear end to adjust.

REAR DOOR

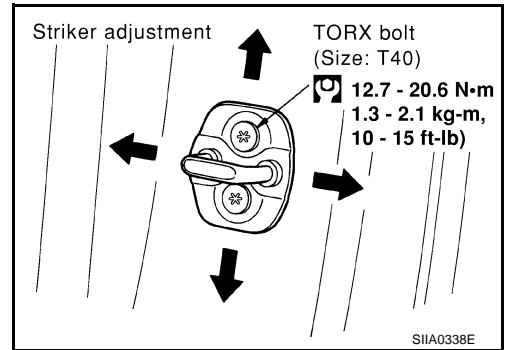
Longitudinal Clearance and Surface Height Adjustment at Front End

1. Remove the center pillar upper garnish and center pillar lower garnish. Refer to [EI-32, "BODY SIDE TRIM"](#).
2. Accessing from inside the vehicle, loosen the mounting nuts. Open the rear door, and raise the rear door at rear end to adjust.

DOOR

STRIKER ADJUSTMENT

1. Adjust the striker so that it becomes parallel with the lock insertion direction.



Removal and Installation of Front Door

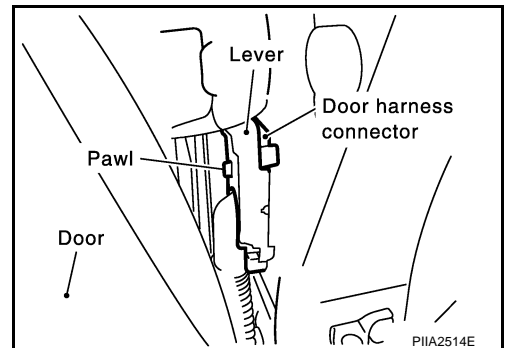
AIS002B6

CAUTION:

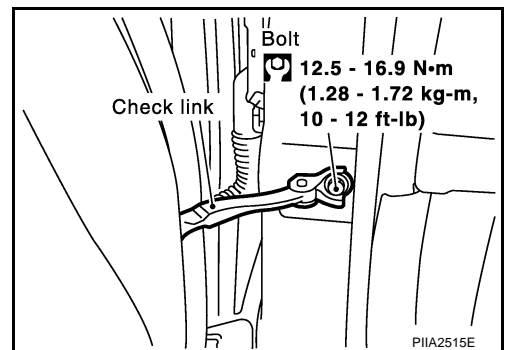
- When removing and installing the front door assembly, support the door with a jack and cloth to protect the door and body.
- Operate with two workers, because of its heavy weight.
- When removing and installing front door assembly, be sure to carry out the fitting adjustment. Refer to [BL-170. "Fitting Adjustment"](#).
- Check the hinge rotating part for poor lubrication. If necessary, apply "body grease".
- After installing, check operation.

REMOVAL

1. Pull the lever and remove the front door harness connector while removing tabs of door harness connector.

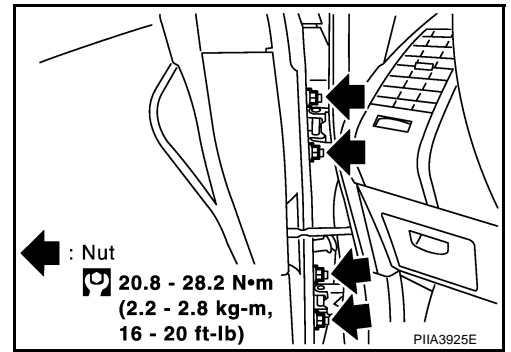


2. Remove the mounting bolts of the check link on the vehicle.



DOOR

3. Remove the door-side hinge mounting nuts, and remove the door assembly.



INSTALLATION

Install in the reverse order of removal.

Removal and Installation of Rear Door

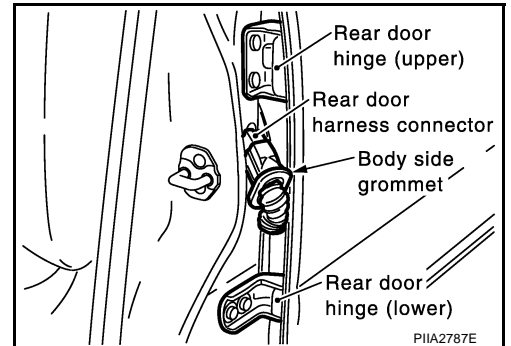
AIS002B7

CAUTION:

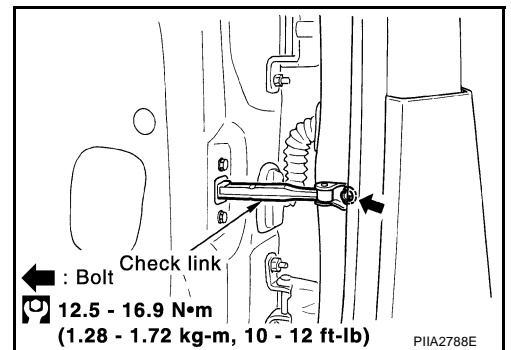
- When removing and installing the rear door assembly, support the door with a jack and cloth to protect the door and body.
- Operate with two workers, because of its heavy weight.
- When removing and installing rear door assembly, be sure to carry out the fitting adjustment Refer to [BL-170, "Fitting Adjustment"](#).
- Check the hinge rotating part for poor lubrication. If necessary, apply "body grease".
- After installing, check operation.

REMOVAL

1. Pull out grommet, and detach rear door harness connector.

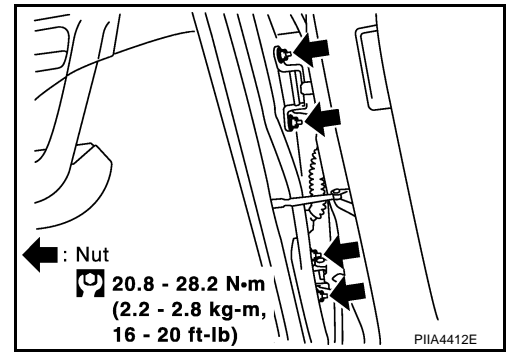


2. Remove the mounting bolts of the check link on the vehicle.



DOOR

3. Remove the door-side hinge mounting nuts, and remove the door assembly.

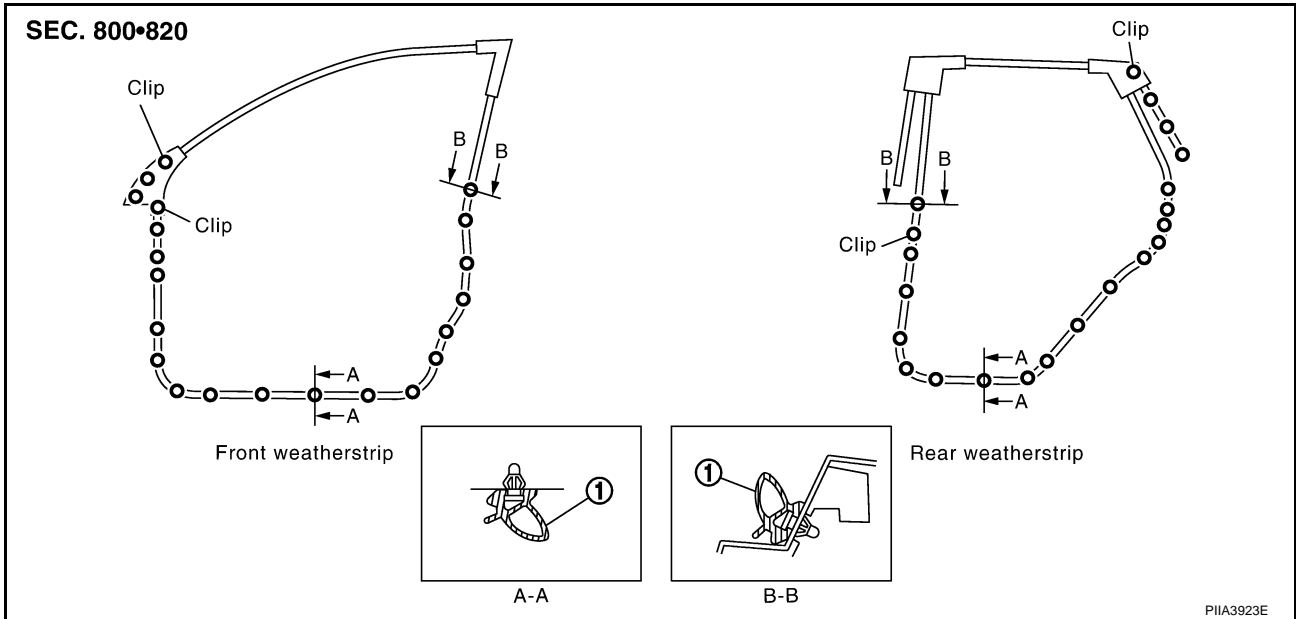


INSTALLATION

Install in the reverse order of assembly.

Door Weatherstrip

AIS002BB



1. Weatherstrip

REMOVAL

1. Remove the mounting bolts of the check link on the vehicle. Refer to [BL-171, "Removal and Installation of Front Door"](#) or [BL-172, "Removal and Installation of Rear Door"](#).
2. Remove the weatherstrip clips and remove weatherstrip.

INSTALLATION

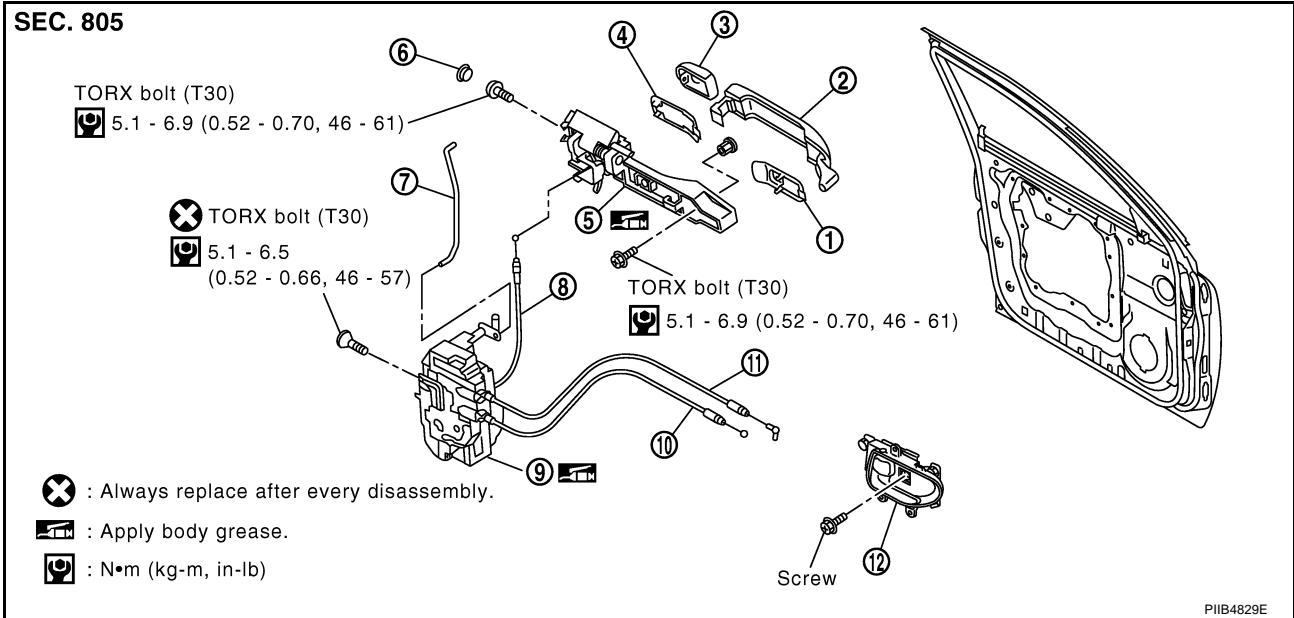
Install in the reverse order of assembly.

FRONT DOOR LOCK

FRONT DOOR LOCK Component Structure

PFP:80502

AIS002B9

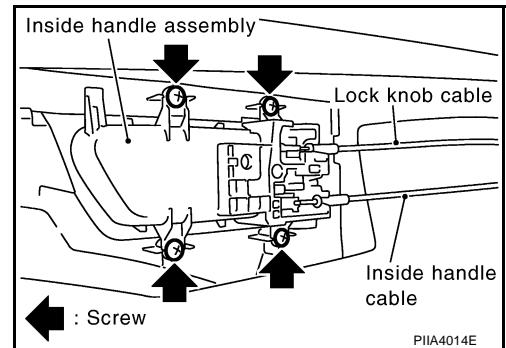


- | | | |
|--|---------------------------|---|
| 1. Front gasket | 2. Outside handle | 3. Door key cylinder assembly (Driver side)
Outside handle escutcheon (Passenger side) |
| 4. Rear gasket | 5. Outside handle bracket | 6. Grommet |
| 7. Key cylinder rod (Driver side only) | 8. Outside handle cable | 9. Door lock assembly |
| 10. Inside handle knob cable | 11. Lock knob cable | 12. Inside handle |

Removal and Installation REMOVAL

AIS002BA

1. Remove the front door finisher. Refer to [EI-30, "DOOR FINISHER"](#).
2. Disconnect the inside handle knob cable and lock knob cable from the back side of the front door finisher.

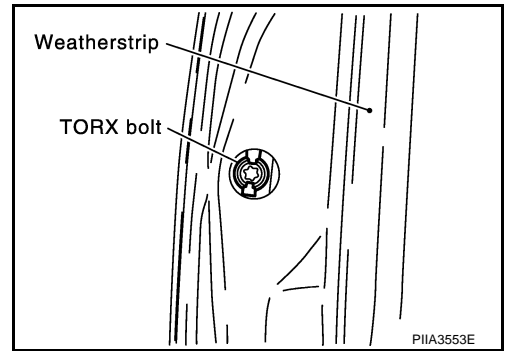


3. Remove the front door window and front door module assembly. Refer to [GW-67, "FRONT DOOR GLASS AND REGULATOR"](#).
4. Remove door side grommet, and remove door key cylinder assembly (driver side) and outside handle escutcheon (passenger side) bolts (TORX T30) from grommet hole.

FRONT DOOR LOCK

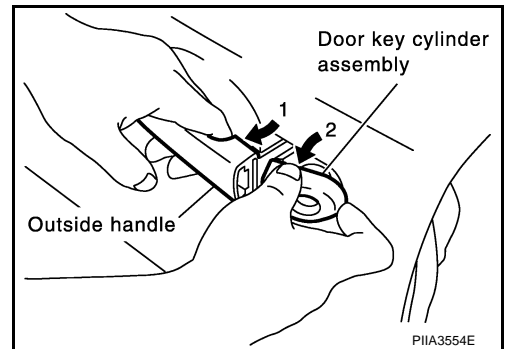
CAUTION:

Do not forcibly remove the TORX bolts (T30).



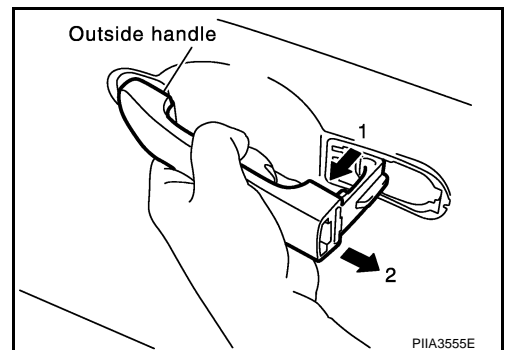
A
B
C
D

5. Reach to separate the key cylinder rod connection (on the handle).
6. Disconnect door key cylinder switch harness connector.
7. While pulling the outside handle, remove door key cylinder assembly.



E
F
G
H

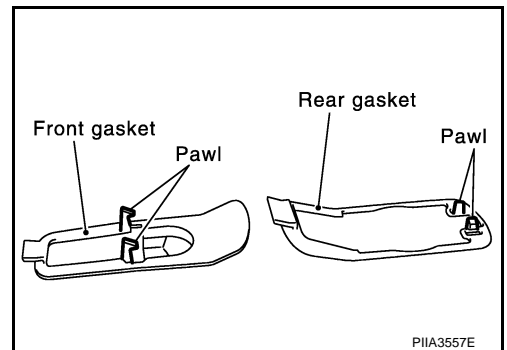
8. Disconnect front door request switch harness connector (with Intelligent Key system).
9. While pulling outside handle, slide toward rear of vehicle to remove outside handle.



BL

J
K
L

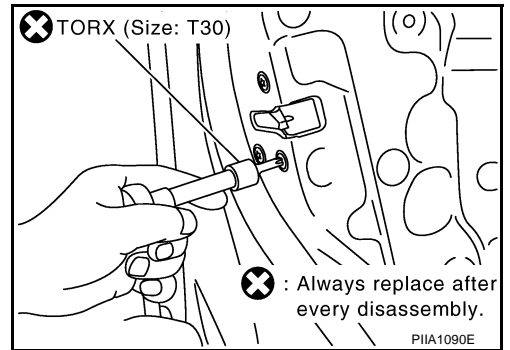
10. Remove the front gasket and rear gasket.



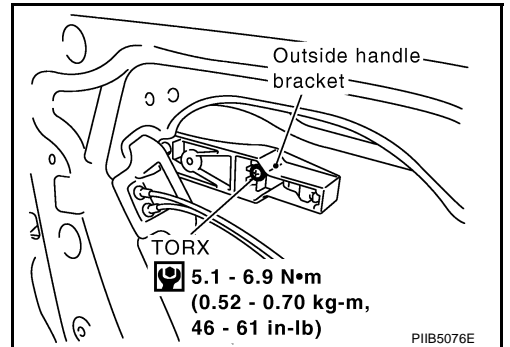
M

FRONT DOOR LOCK

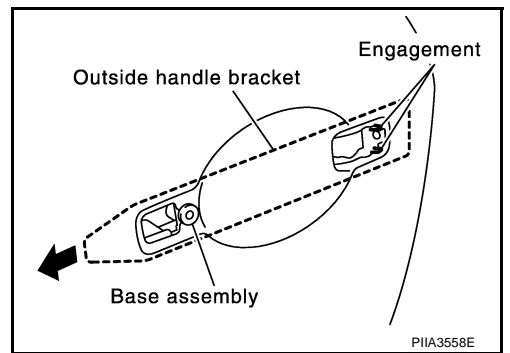
11. Remove the TORX bolts (T30), remove the door lock assembly.



12. Remove the TORX bolt (T30) of the outside handle bracket.

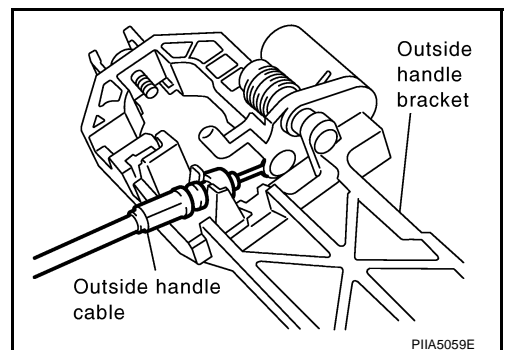


13. While pulling outside handle bracket, slide toward rear of vehicle to remove outside handle bracket.



14. Disconnect the door lock actuator connector and remove the door lock assembly.

15. Reach to separate the outside handle cable connection.



INSTALLATION

Install in the reverse order of removal.

CAUTION:

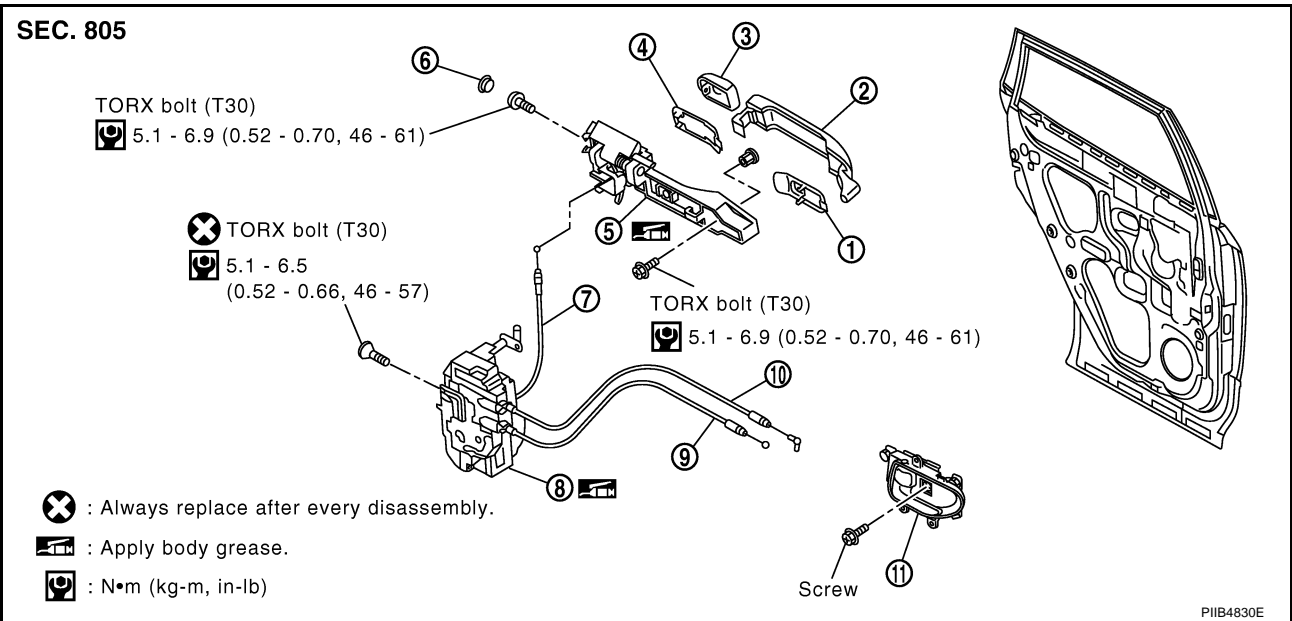
To install each rod, be sure to rotate the rod holder until a click is felt.

REAR DOOR LOCK

REAR DOOR LOCK Component Structure

PF:82502

AIS002BC

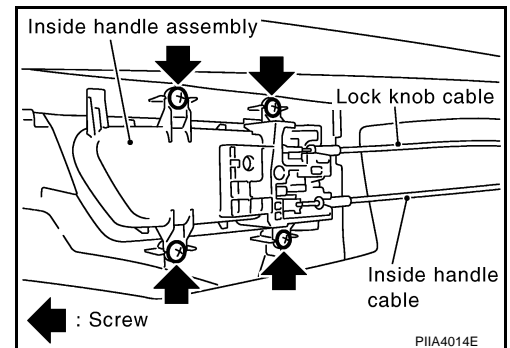


- | | | |
|-------------------------|---------------------------|------------------------------|
| 1. Front gasket | 2. Outside handle | 3. Outside handle escutcheon |
| 4. Rear gasket | 5. Outside handle bracket | 6. Grommet |
| 7. Outside handle cable | 8. Door lock assembly | 9. Inside handle knob cable |
| 10. Lock knob cable | 11. Inside handle | |

Removal and Installation REMOVAL

AIS002BD

1. Remove the rear door finisher. Refer to [EI-30, "DOOR FINISHER"](#).
2. Disconnect the inside handle knob cable and lock knob cable from the back side of the rear door finisher.

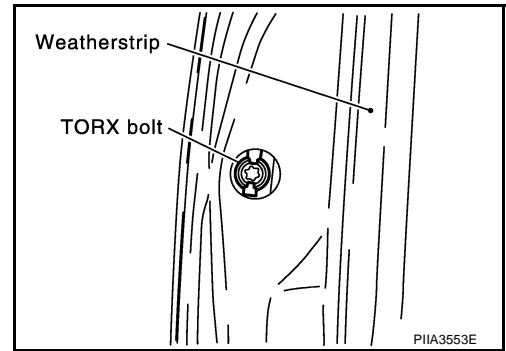


3. Remove the rear door sash. Refer to [GW-70, "REAR DOOR GLASS AND REGULATOR"](#).
4. Remove the rear door window and rear door screen assembly. Refer to [GW-70, "REAR DOOR GLASS AND REGULATOR"](#).
5. Remove door side grommet, and remove outside handle escutcheon bolt (TORX T30) from grommet hole.

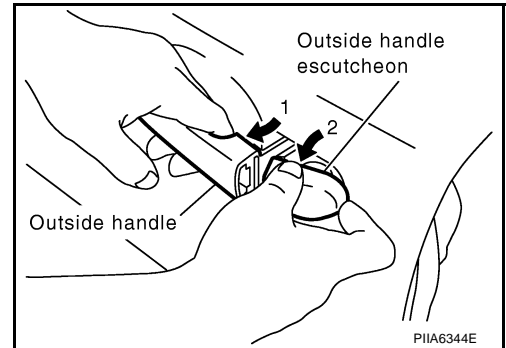
REAR DOOR LOCK

CAUTION:

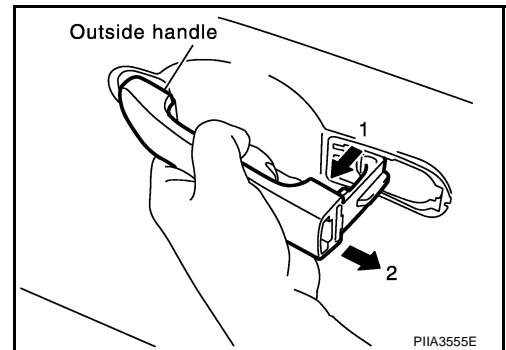
Do not forcibly remove the TORX bolts (T30).



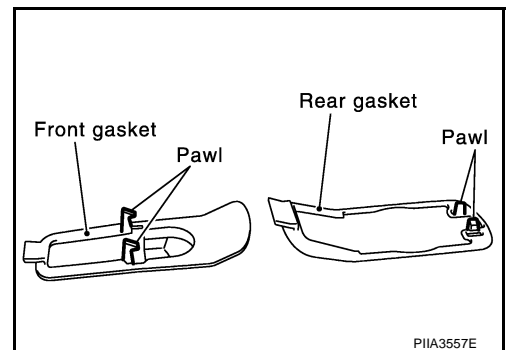
6. While pulling the outside handle, remove outside handle escutcheon.



7. While pulling outside handle, slide toward rear of vehicle to remove outside handle.

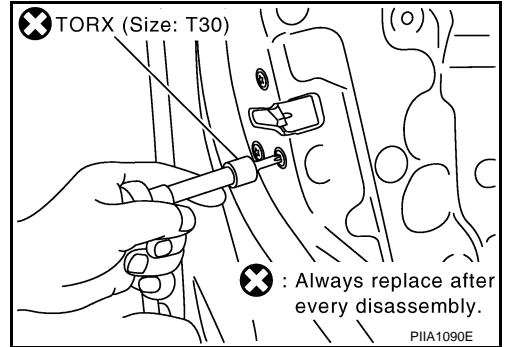


8. Remove the front gasket and rear gasket.

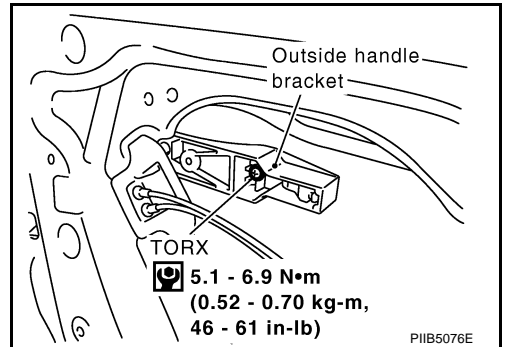


REAR DOOR LOCK

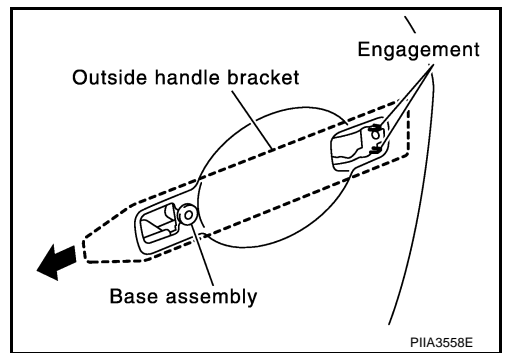
9. Remove the TORX bolts (T30), remove the door lock assembly.



10. Remove the TORX bolt (T30), and remove the outside handle bracket.

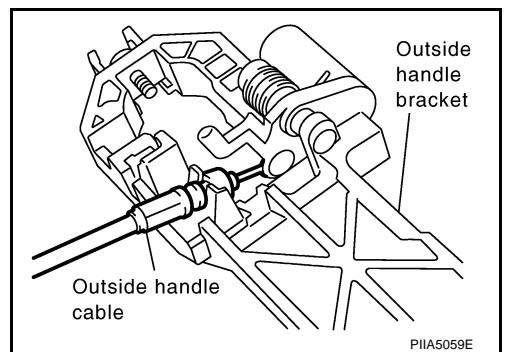


11. While pulling outside handle, slide toward rear of vehicle to remove outside handle.



12. Disconnect the door lock actuator connector and remove the door lock assembly.

13. Reach to separate outside handle cable connection.



INSTALLATION

Install in the reverse order of removal.

CAUTION:

To install each rod, be sure to rotate the rod holder until a click is felt.

A
B
C
D
E
F
G
H
BL
J
K
L
M

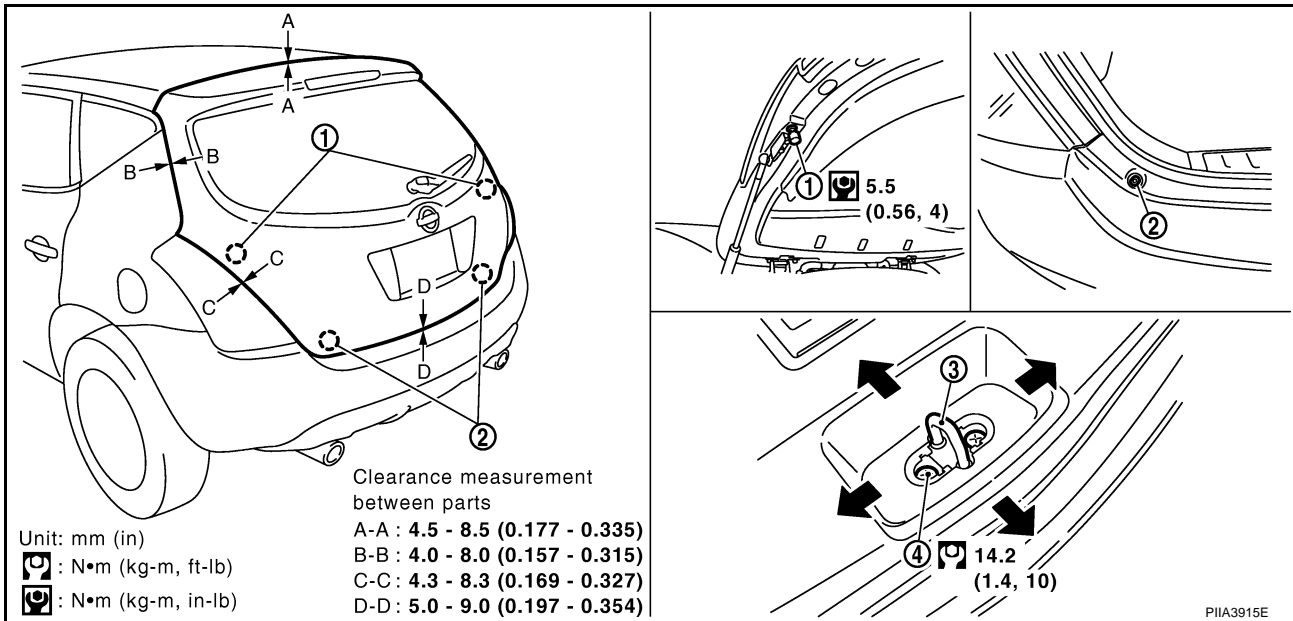
BACK DOOR

PFP:90100

AIS002BF

BACK DOOR

Fitting Adjustment



1. Bumper rubber (upper)

2. Bumper rubber (lower)

3. Back door striker

4. Screw

VERTICAL/LATERAL CLEARANCE ADJUSTMENT

1. Loosen the back door striker mounting screw, and close the back door lightly.
2. Adjust the surface height with the bumper rubber (upper/lower).

NOTE:

- Rotate the bumper rubber (upper) to adjust the height.
 - Rotate the TORX (T20) bolt of the bumper rubber (lower) to adjust the height.
3. After adjusting the surface height, open the door and tighten the back door striker mounting screw and bumper rubber (upper) lock nuts to the specified torque.

BACK DOOR

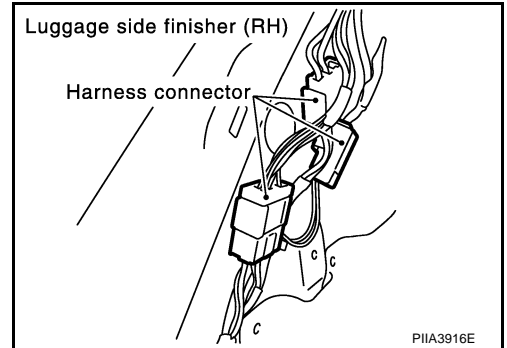
Back Door Assembly REMOVAL

AIS002BG

CAUTION:

Before servicing SRS, turn ignition switch OFF, disconnect both battery cables and wait at least 3 minutes.

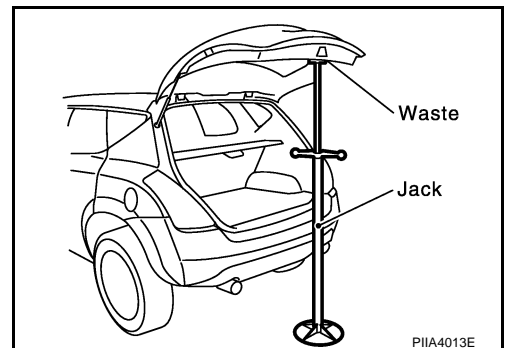
1. Remove the headlining. Refer to [EI-36, "Removal and Installation"](#).
2. Disconnect the back door harness connector.



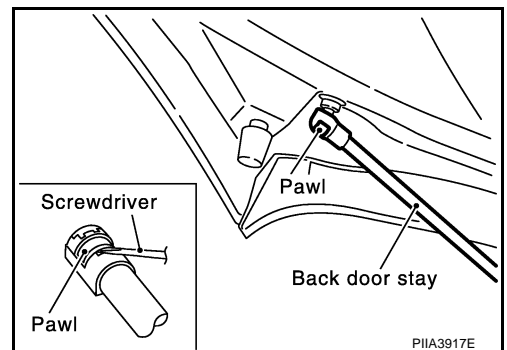
3. Remove the high mount stop lamp cover.
4. Washer hose is separated in the connection part.
5. Remove the viral tape which tight the back door harness and SRS curtain air bag harness.
6. Support the back door lock with a proper material to prevent it from falling.

WARNING:

Body injury may occur if no supporting rod is holding the back door open when removing the back door stay.



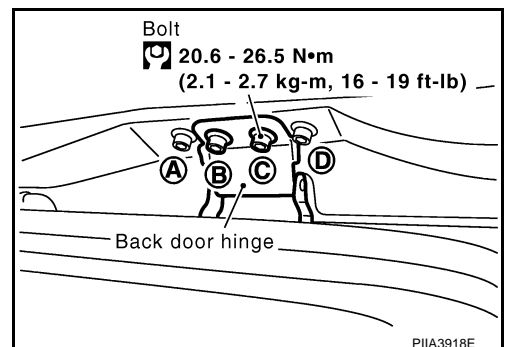
7. Remove back door stay on back door.



8. Remove hinge mounting bolts on the back door and remove back door assembly.

CAUTION:

Do not loosen hinge mounting bolt A and D.



A
B
C
D
E
F
G
H
BL
J
K
L
M

BACK DOOR

INSTALLATION

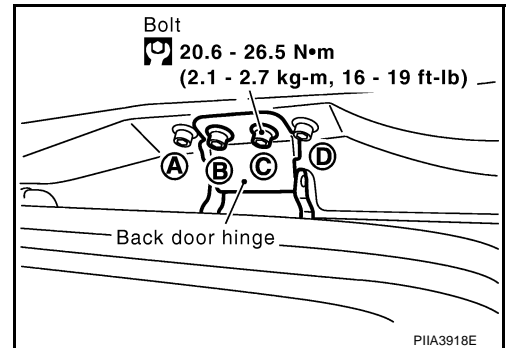
Install in the reverse order of removal.

CAUTION:

- Operate with two workers, because of its heavy weight.
- After installing, check operation.
- After installing, perform fitting adjustment Refer to [BL-180, "Fitting Adjustment"](#) .

INSPECTION

1. Check hinges for the following items.
 - Malfunction noise or door closing and opening effort
 - Component wear or damage
2. Apply Grease to the rotating part of the hinge.

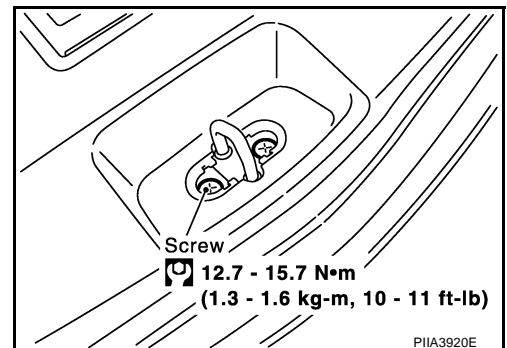


AIS002BH

Removal and Installation of Back Door Striker

REMOVAL

1. Remove luggage finisher lower. Refer to [EI-38, "Removal and Installation"](#) .
2. Remove mounting screws, and remove striker from the vehicle.



PIA3920E

INSTALLATION

Install in the reverse order of removal.

CAUTION:

After installing, perform fitting adjustment.

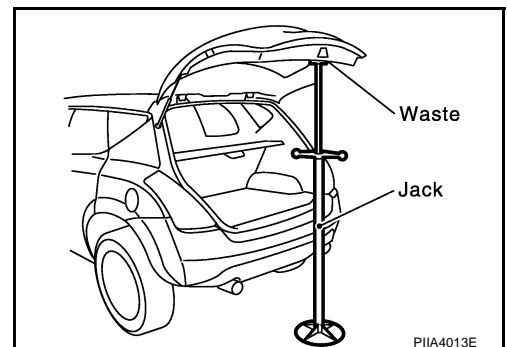
Removal and Installation of Back Door Stay

REMOVAL

1. Support the back door lock with a proper material to prevent it from falling.

WARNING:

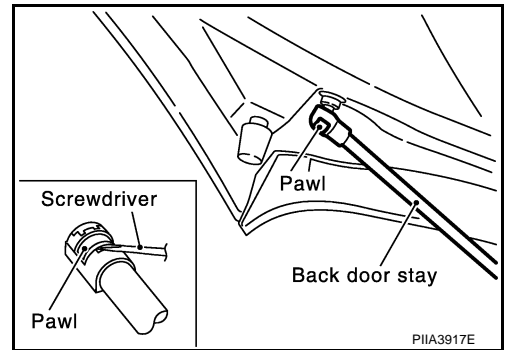
Body injury may occur if no supporting rod is holding the back door open when removing the back door stay.



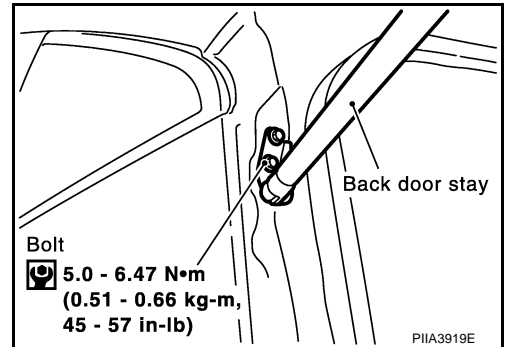
PIA4013E

BACK DOOR

2. Remove back door stay on back door.



3. Remove back door stay assembly bracket adjusting nuts and remove back door stay assembly.



INSTALLATION

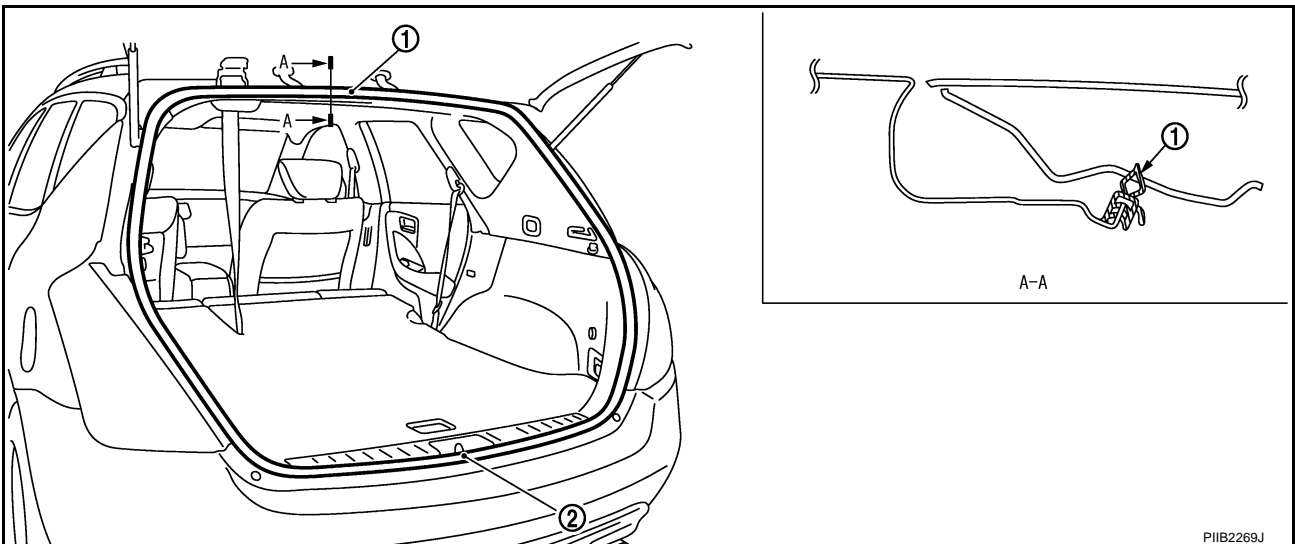
Install in the reverse order of removal.

CAUTION:

After installing, check operation.

Removal and Installation of Back Door Weatherstrip

AIS002BJ



1. Weatherstrip mark

2. Weatherstrip

REMOVAL

Pull up and remove engagement with body from wetherstrip joint.

CAUTION:

After removal, do not pull strongly on the wetherstrip.

INSTALLATION

1. Working from the upper section, align weatherstrip mark with vehicle center position mark and install weatherstrip onto the vehicle.
2. For the lower section, align the weatherstrip seam with center of the striker.
3. After installation, pull the weatherstrip gently to ensure that there is no loose section.

A
B
C
D
E
F
G
H

BL

J
K
L
M

BACK DOOR

NOTE:

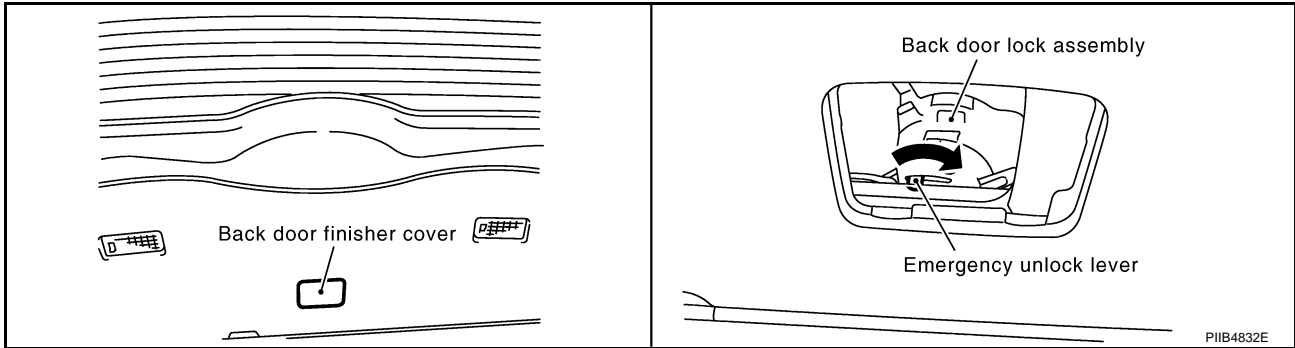
Make sure the weatherstrip is fit tightly at each corner and back door rear plate.

Emergency unlock lever

AIS006ET

NOTE:

If the back door cannot be opened with the back door lock opener switch or remote controller to a discharged battery, follow the next steps.



1. Remove back door finisher cover.
2. Move the emergency unlock lever to open the back door.

BACK DOOR LOCK ASSEMBLY

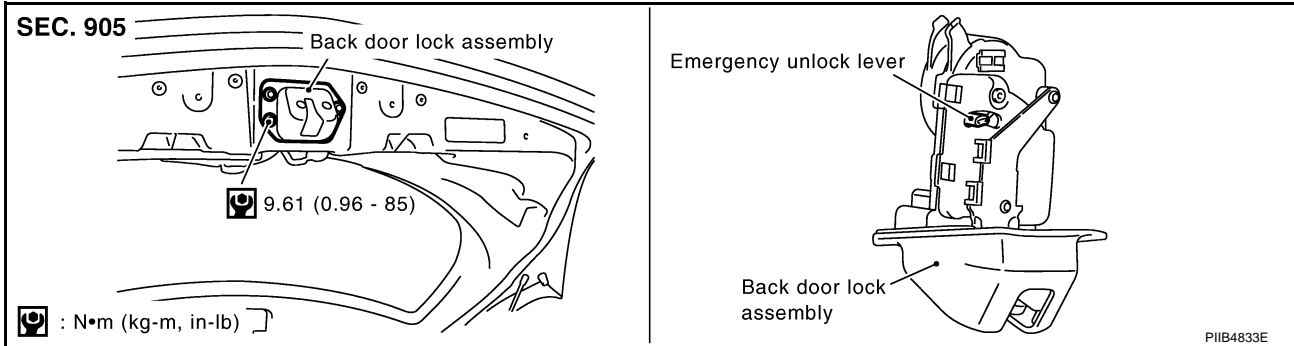
BACK DOOR LOCK ASSEMBLY

PFP:90504

Removal and Installation of Back Door Lock REMOVAL

AIS002BK

1. Remove back door finisher. Refer to [EI-40, "Removal and Installation"](#) .
2. Disconnect back door lock assembly connector.
3. Remove the mounting bolts.



4. Remove the mounting bolts, remove back door lock assembly.

INSTALLATION

Install in the reverse order of removal.

CAUTION:

- After installing, check operation.
- After installing, perform fitting adjustment. Refer to [BL-180, "Fitting Adjustment"](#) .

INSPECTION

1. Check back door lock for the following items.
 - Malfunction noise or back door closing and opening effort
 - Component wear or damage
2. Apply body grease to the rotating part of the back door lock.

A
B
C
D
E
F
G
H
BL
J
K
L
M

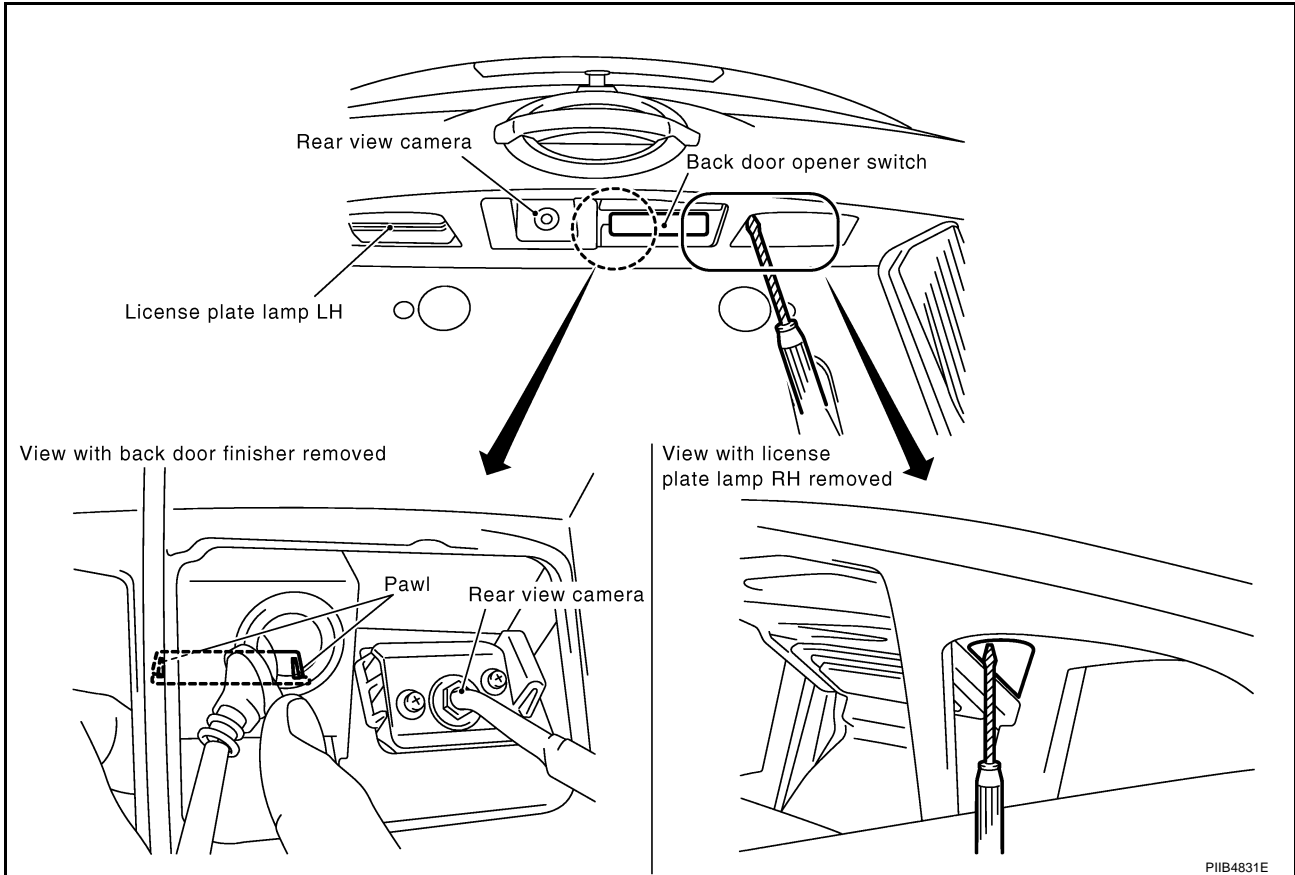
BACK DOOR LOCK ASSEMBLY

AIS002BL

Removal and Installation of Back Door Opener switch

REMOVAL

1. Remove back door finisher. Refer to [EI-40, "Removal and Installation"](#) .
2. Remove license plate lamp assembly. Refer to [LT-169, "LICENSE PLATE LAMP"](#)
3. Disconnect back door opener switch harness connector.
4. Remove back door opener switch by pushing pawls with screwdriver.



INSTALLATION

Install in the reverse order of removal.

CAUTION:

- After installing, check operation.

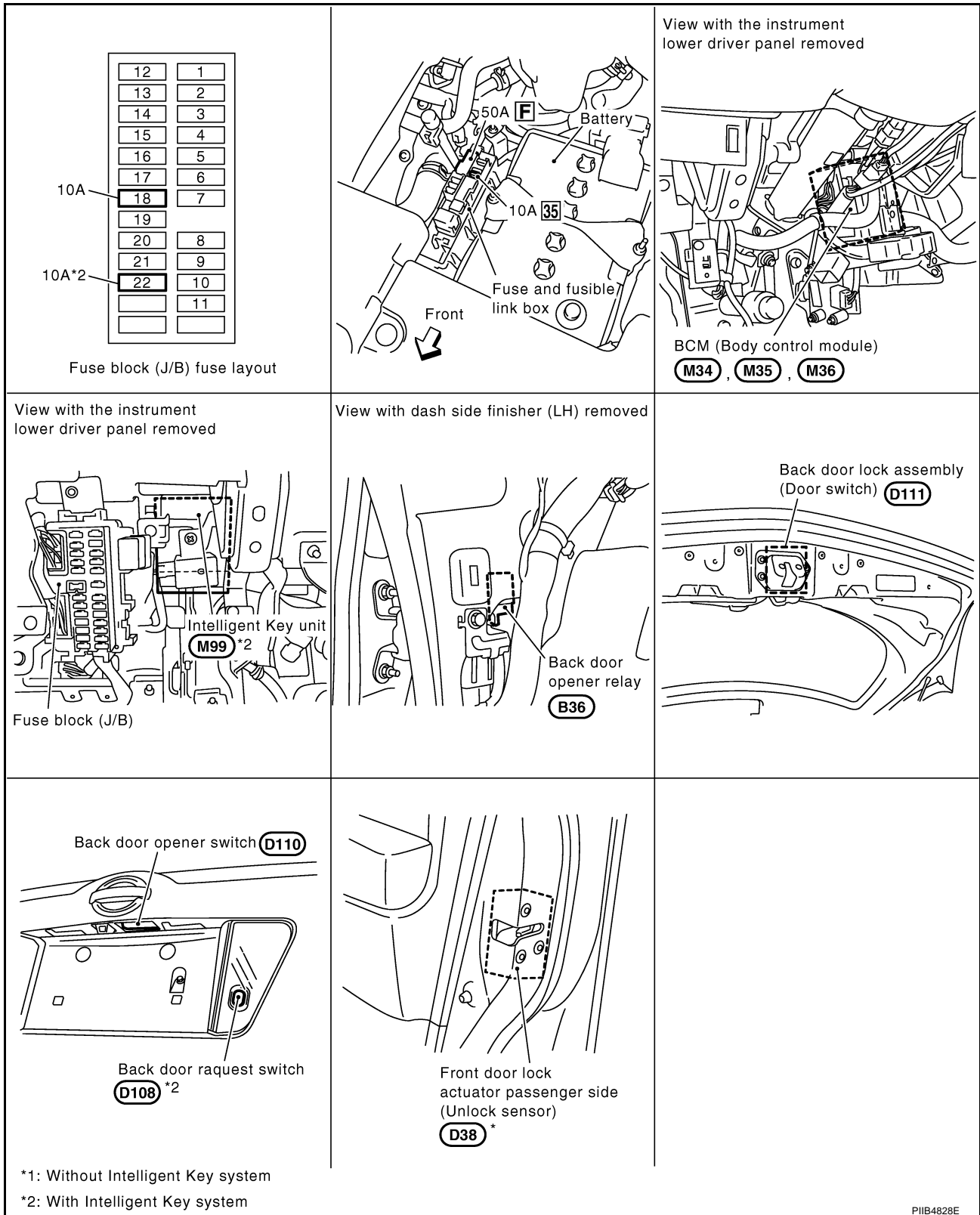
BACK DOOR OPENER

PFP:90550

BACK DOOR OPENER

Component Parts and Harness Connector Location

AIS006DH



A
B
C
D
E
F
G
H
BL
J
K
L
M

System Description / Without Intelligent Key

AIS006DI

Power is supplied at all times

- through 50A fusible link (letter F, located in the fuse and fusible link box)
- to BCM terminal 55,

BACK DOOR OPENER

- through 10A fuse [No.18, located in the fuse block (J/B)]
- to BCM terminal 42
- through 10A fuse [No.35, located in the fuse block (J/B)]
- to back door opener relay terminal 3.

Ground is supplied

- to BCM terminal 52
- through body grounds E13, E26 and E28.

When back door opener switch is ON (pushed) with passenger side door unlocked

Ground is supplied

- to BCM terminal 30
- through front door lock actuator passenger side terminals 1 and 26
- through back door opener switch terminals 1 and 2
- through body grounds B7 and B20.

Power is supplied

- through BCM terminal 68
- to back door opener relay terminal 1

Ground is supplied

- to back door opener relay terminal 2
- through body grounds B7 and B20.

When back door opener relay is turned ON,

And power is supplied

- to back door opener relay terminal 5
- through back door lock assembly terminals 1 and 2
- through body grounds B7 and B20.

Then back door lock assembly opens back door.

System Description / With Intelligent Key

AIS006EL

Power is supplied at all times

- through 50A fusible link (letter F, located in the fuse and fusible link box)
- to BCM terminal 55,
- through 10A fuse [No.18, located in the fuse block (J/B)]
- to BCM terminal 42
- through 10A fuse [No.35, located in the fuse block (J/B)]
- to back door opener relay terminal 3.
- through 10A fuse [No.22, located in the fuse block (J/B)]
- to Intelligent Key unit terminal 11.

Ground is supplied

- to BCM terminal 52
- through body grounds E13, E26 and E28.
- to Intelligent Key unit terminal 12
- through body grounds M14 and M78.

When back door opener switch is ON (pushed) with passenger side door unlocked

Ground is supplied

- to Intelligent Key unit terminal 24
- through back door opener switch terminals 1 and 2
- through body grounds B7 and B20.

Ground is supplied

- to back door opener relay terminal 2
- through Intelligent Key unit terminal 23.

When back door opener relay is turned ON,

BACK DOOR OPENER

And power is supplied

- to back door opener relay terminal 5
- through back door lock assembly terminals 1 and 2
- through body grounds B7 and B20.

Then back door lock assembly opens back door.

INTELLIGENT KEY OPERATION

Refer to [BL-90, "System Description"](#)

A

B

C

D

E

F

G

H

BL

J

K

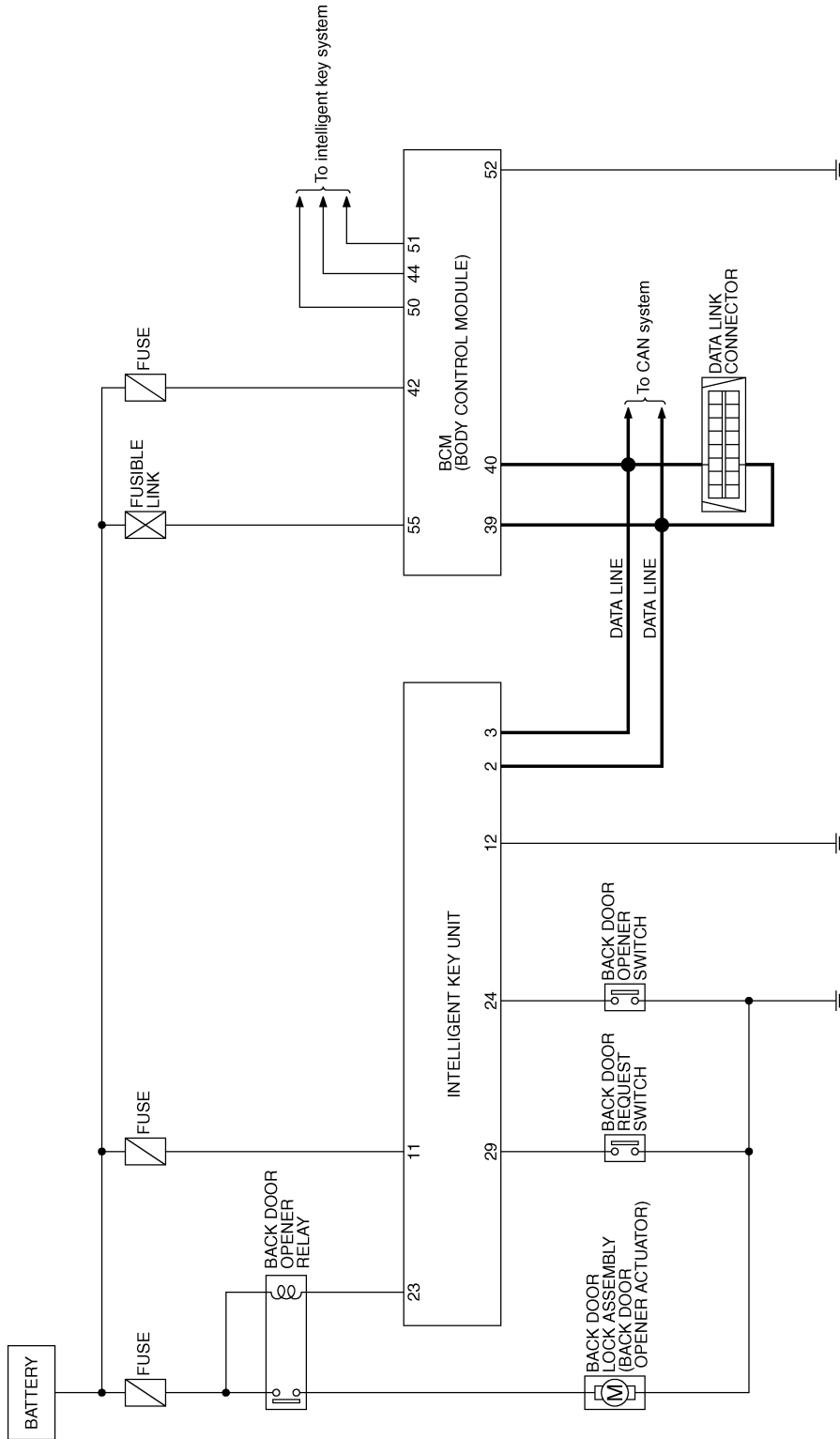
L

M

BACK DOOR OPENER

Schematic / With Intelligent Key

AI5006EM



TIWB0292E

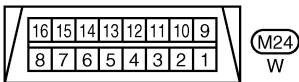
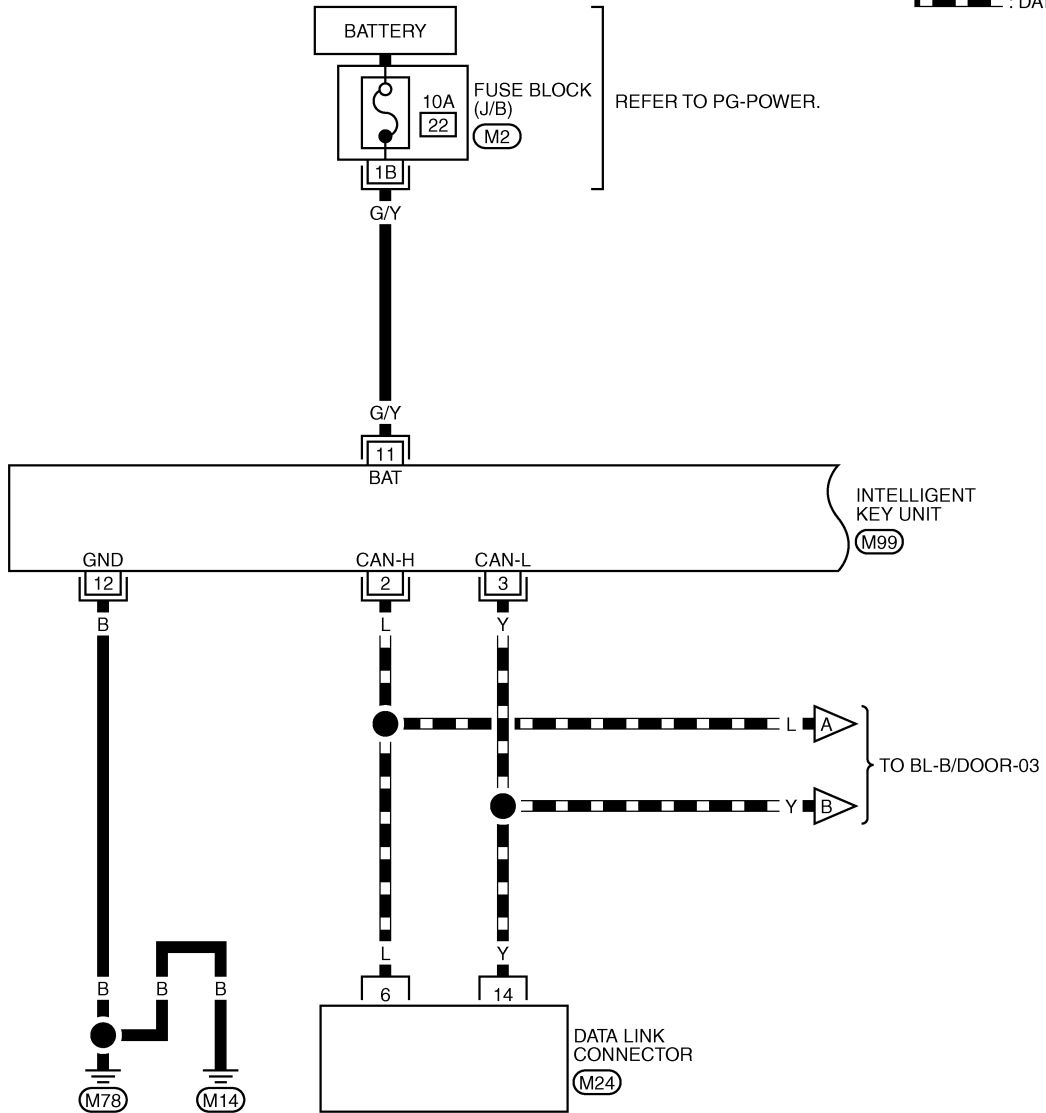
BACK DOOR OPENER

Wiring Diagram —B/DOOR— / With Intelligent Key

AIS006DJ

BL-B/DOOR-01

▬ : DATA LINE



REFER TO THE FOLLOWING.

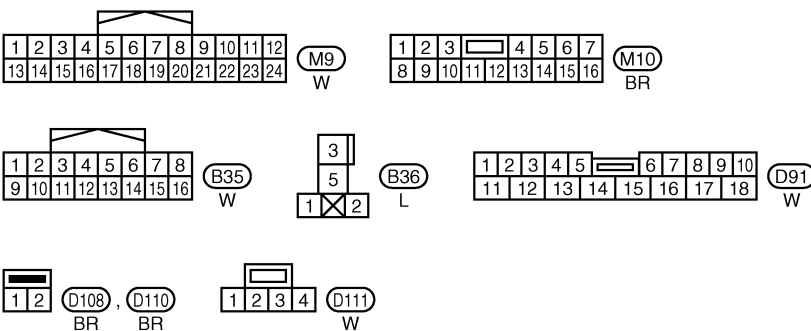
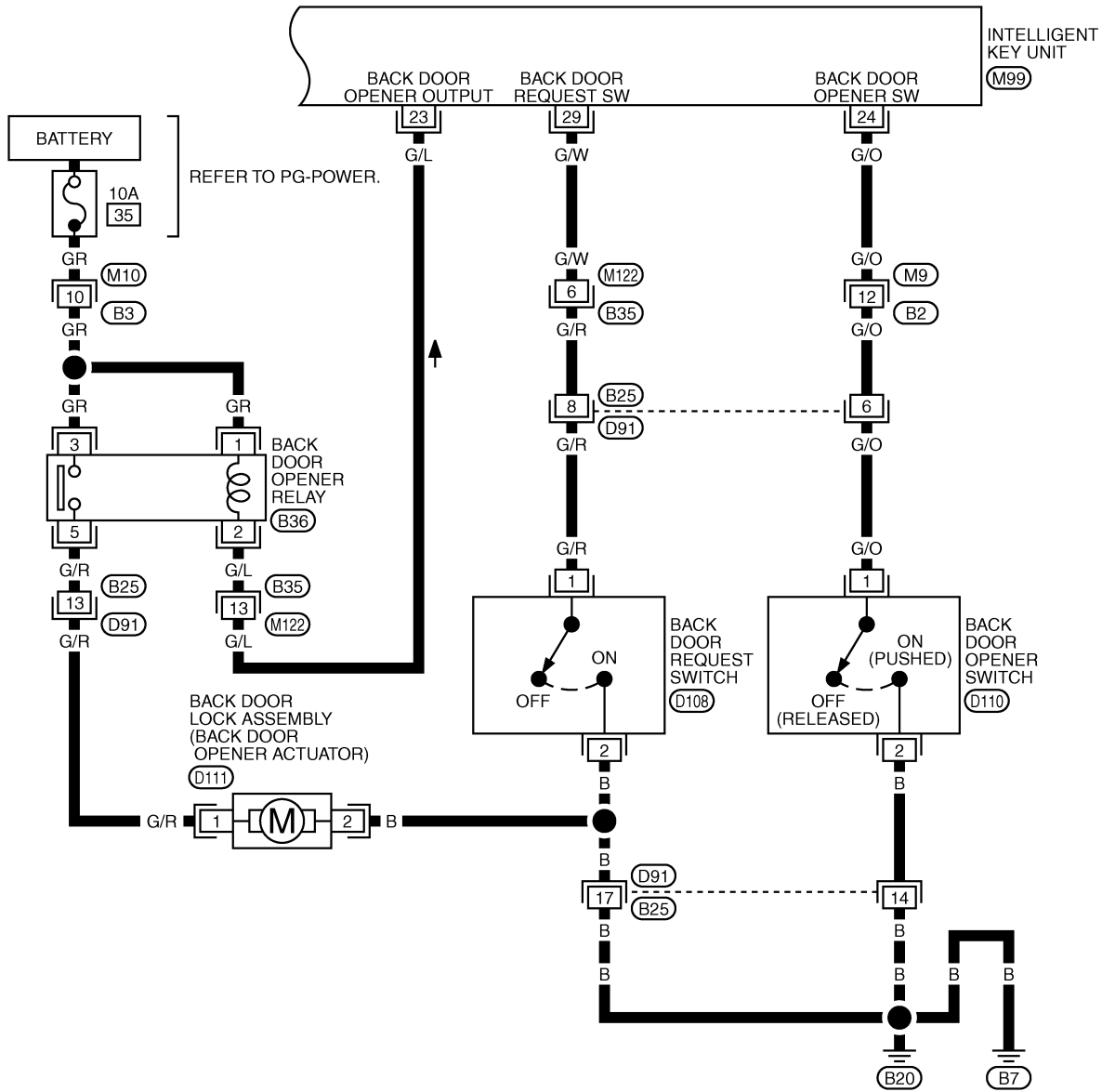
(M2) - FUSE BLOCK-JUNCTION BOX (J/B)

(M99) - ELECTRICAL UNITS

TIWB0162E

BACK DOOR OPENER

BL-B/DOOR-02

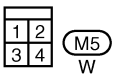
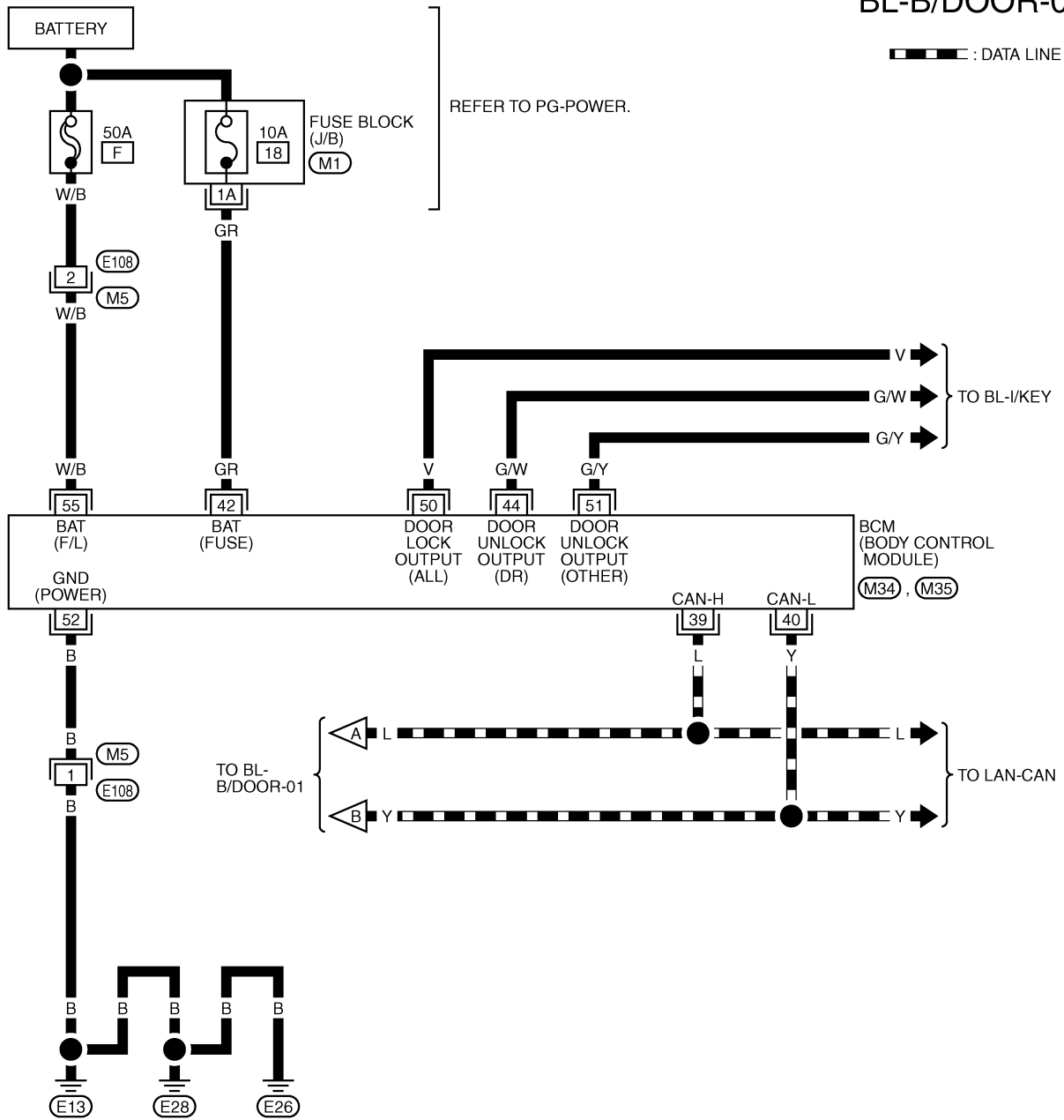


REFER TO THE FOLLOWING.
 (M99) -ELECTRICAL UNITS

TIWB0163E

BACK DOOR OPENER

BL-B/DOOR-03



REFER TO THE FOLLOWING.
 (M1) -FUSE BLOCK-JUNCTION BOX (J/B)
 (M34), (M35) -ELECTRICAL UNITS

TIWB0293E

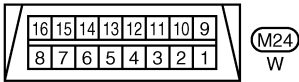
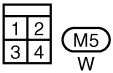
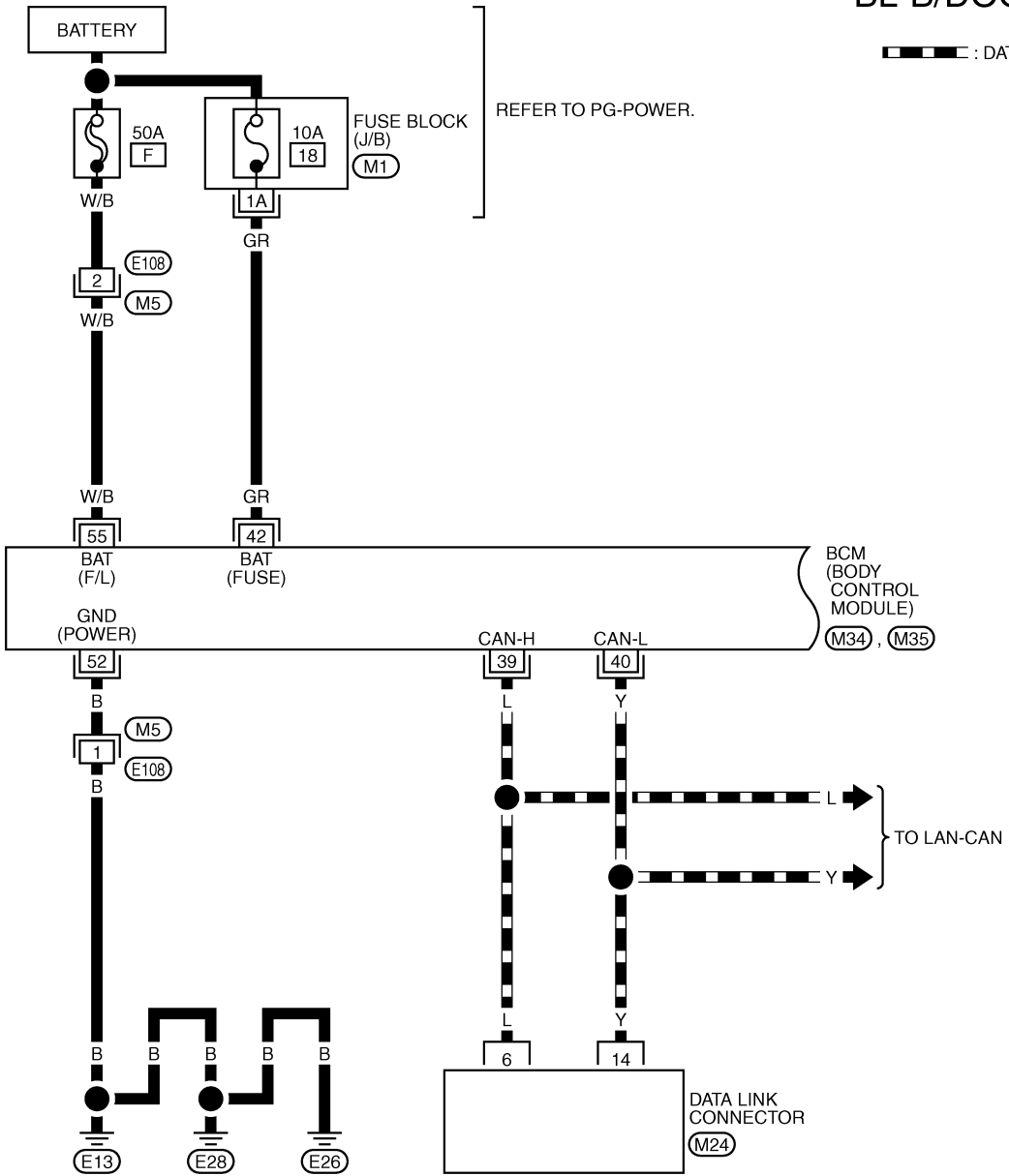
BACK DOOR OPENER

Wiring Diagram —B/DOOR— / Without Intelligent Key

AIS006DK

BL-B/DOOR-04

▬ : DATA LINE



REFER TO THE FOLLOWING.

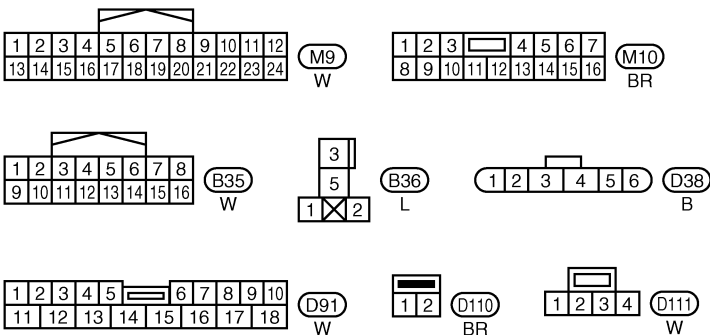
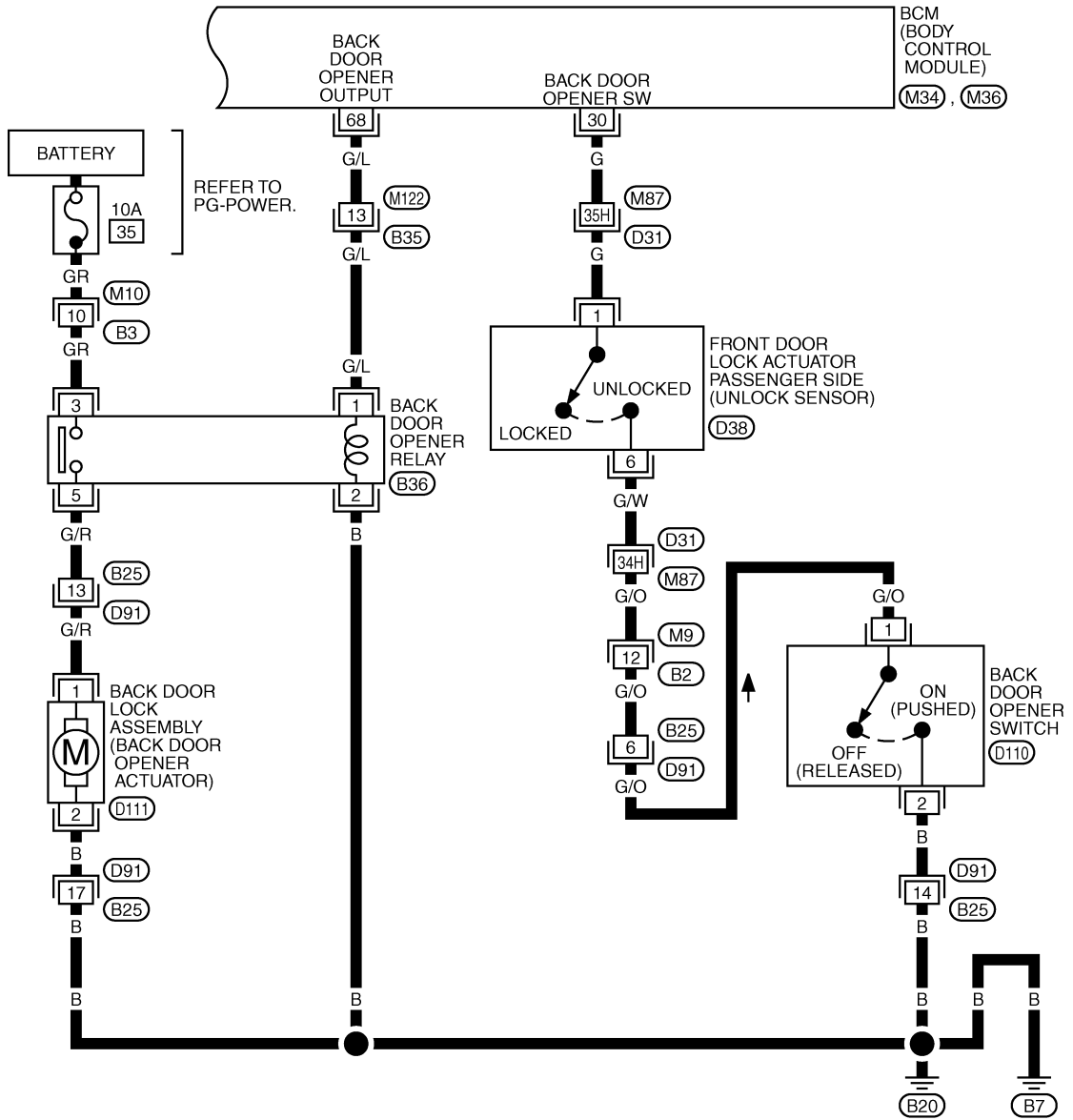
(M1) -FUSE BLOCK-JUNCTION BOX (J/B)

(M34), (M35) -ELECTRICAL UNITS

TIWB0164E

BACK DOOR OPENER

BL-B/DOOR-05



REFER TO THE FOLLOWING.
 (D31) -SUPER MULTIPLE JUNCTION (SMJ)
 (M34), (M36) -ELECTRICAL UNITS

TIWB0165E

BACK DOOR OPENER

Terminals and Reference Value for BCM

AIS006DL

TERMI- NAL	WIRE COLOR	ITEM	CONDITION		VOLTAGE (V) (Approx.)
30	G	Back door opener switch	Back door opener switch	: ON	0
				: OFF	5
39*	L	CAN-H	—		—
40*	P	CAN-L	—		—
42	R	Power source (Fuse)	—		Battery voltage
44*	G/W	Driver door lock actuator and fuel lid opener actuator (Unlock)	Door lock and unlock switch (Free → Unlock)		0 → Battery voltage → 0
50*	V	All door lock actuators (lock)	Door lock and unlock switch (Free → Lock)		0 → Battery voltage → 0
51*	G/Y	Passenger and rear doors lock actuator (unlock)	Door lock and unlock switch (Free → Unlock)		0 → Battery voltage → 0
52	B	Ground	—		0
55	W/B	Power source (Fusible link)	—		Battery voltage
68	G/L	Back door opener output signal	Back door opener switch is ON		0 → Battery voltage → 0

* : With Intelligent Key

Terminals and Reference Value for INTELLIGENT KEY UNIT

AIS006EN

Ter- mi- nal No.	Wire color	Item	Condition		Voltage (V) (Approx.)
			Ignition knob position	Operation or conditions	
2	L	CAN-H	—	—	—
3	R	CAN-L	—	—	—
11	L/R	Power source (Fuse)	—	—	Battery voltage
12	B	Ground	—	—	0
23	G/L	Back door opener relay output	—	Press back door opener switch.	0
				Other than above.	Battery voltage
24	G/O	Back door opener switch	—	Press back door opener switch	0
				Other than above.	Battery voltage
29	G/W	Back door request switch	—	Back door request switch operation: Press (ON)	0
				Other than the above (OFF)	5

BACK DOOR OPENER

AIS006DN

Trouble Diagnosis

BACK DOOR DOSE NOT OPEN WITH BACK DOOR OPENER SWITCH / WITHOUT INTELLI- GENT KEY SYSTEM

1. CHECK PASSENGER SIDE DOOR CONDITION

Check passenger side door condition.

Is the passenger side door unlock?

Yes >> GO TO 2.

No >> Unlock does the passenger side door.

2. CHECK BACK DOOR OPEN INPUT SIGNAL

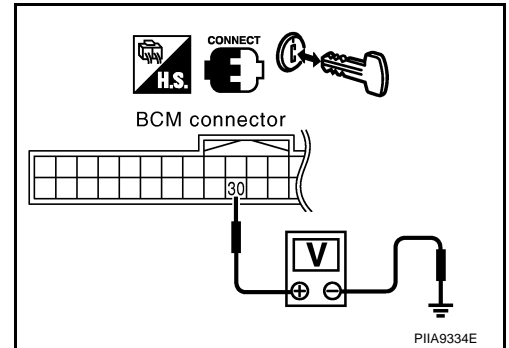
Check voltage between BCM connector and ground.

Connector	Terminal (Wire color)		Condition	Voltage [V] (Approx.)
	(+)	(-)		
M34	30 (G)	Ground	Back door opener switch : ON : OFF	0 5

OK or NG

OK >> GO TO 3.

NG >> GO TO 7.



3. CHECK BACK DOOR OPEN OUTPUT SIGNAL

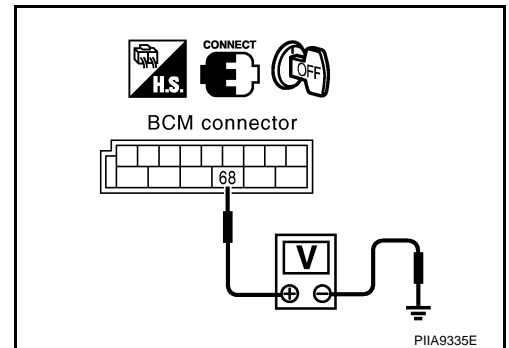
Check voltage between BCM connector and ground.

Connector	Terminal (Wire color)		Condition	Voltage [V] (Approx.)
	(+)	(-)		
M36	68 (G/L)	Ground	Back door opener switch : ON : OFF	Battery voltage 0

OK or NG

OK >> GO TO 4.

NG >> Replace BCM.



4. CHECK BACK DOOR OPENER RELAY CIRCUIT

1. Turn ignition switch OFF.
2. Disconnect BCM and back door opener relay connector.
3. Check continuity between BCM connector M36 terminal 68 and back door opener relay connector B36 terminal 1.

68 (G/L) - 1 (G/L) : Continuity should exist.

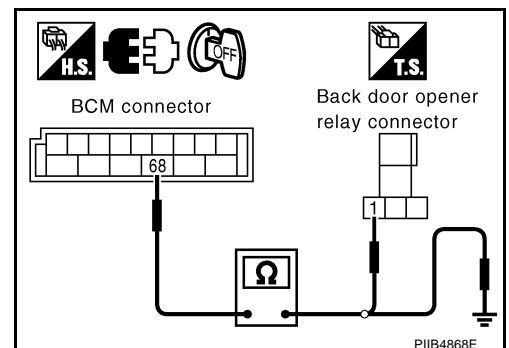
4. Check continuity between BCM connector M36 terminal 68 and ground.

68 (G/L) - Ground : Continuity should not exist.

OK or NG

OK >> GO TO 5.

NG >> Repair harness or connector.



BACK DOOR OPENER

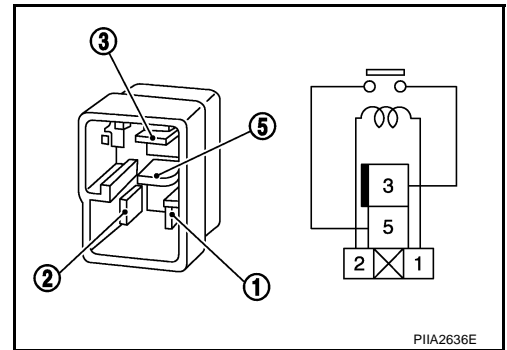
5. CHECK BACK DOOR OPENER RELAY

Check continuity between back door opener relay terminal 3 and 5.

Terminals	Condition	Continuity
3	12V direct current supply between 1 and 2	Yes
5	Other than above	No

OK or NG

- OK >> GO TO 6.
- NG >> Replace back door opener relay.



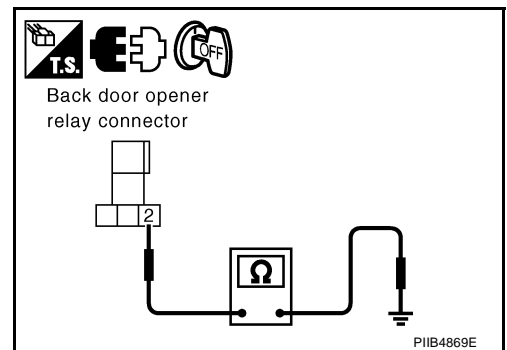
6. CHECK BACK DOOR OPENER RELAY GROUND CIRCUIT

Check continuity between back door opener relay connector E36 terminals 2 and ground.

2(B) - Ground : Continuity should exist.

OK or NG

- OK >> GO TO 12.
- NG >> Repair or replace harness.



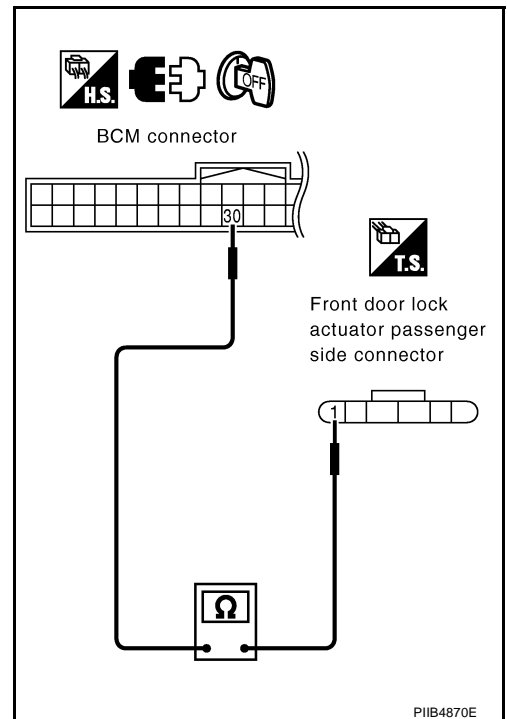
7. CHECK FRONT DOOR LOCK ACTUATOR CIRCUIT

1. Turn ignition switch OFF.
2. Disconnect BCM and front door lock actuator passenger side connector.
3. Check continuity between BCM connector M34 terminal 30 and front door lock actuator passenger side connector D37 terminals 1.

30 (G) - 1 (G) : Continuity should exist.

OK or NG

- OK >> GO TO 8.
- NG >> Repair or replace harness.



BACK DOOR OPENER

8. CHECK FRONT DOOR LOCK ACTUATOR

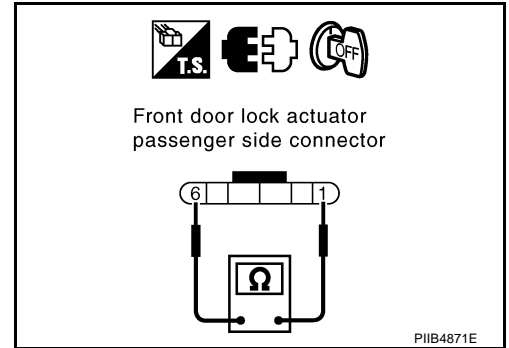
Check continuity between front door lock actuator passenger side terminal 1 and 6.

Terminals		Condition		Continuity
1	6	Passenger side door lock	: Lock	Yes
			: Unlock	No

OK or NG

OK >> GO TO 9.

NG >> Replace front door lock actuator passenger side.



9. CHECK BACK DOOR OPENER SWITCH CIRCUIT

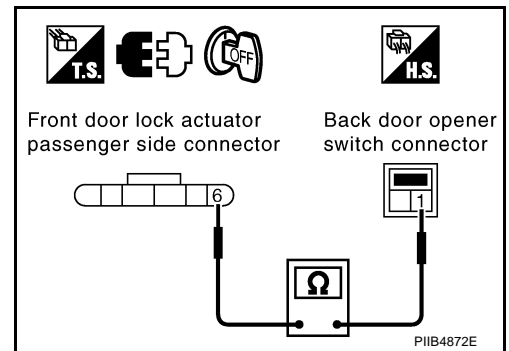
1. Disconnect back door opener switch connector.
2. Check continuity between front door lock actuator passenger side connector D38 terminal 6 and back door opener switch connector D110 terminal 1.

6 (G/W) - 1 (G/O) : Continuity should exist.

OK or NG

OK >> GO TO 10.

NG >> Repair harness or connector.



10. CHECK BACK DOOR OPENER SWITCH

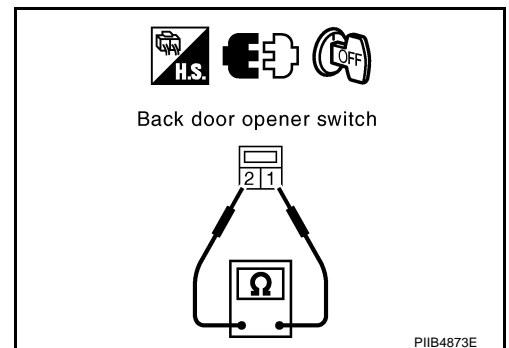
Check continuity between back door opener switch terminal 1 and 2.

Terminals		Condition		Continuity
1	2	Back door opener switch	: ON	Yes
			: OFF	No

OK or NG

OK >> GO TO 11.

NG >> Replace back door opener switch.



11. CHECK BACK DOOR OPENER SWITCH GROUND CIRCUIT

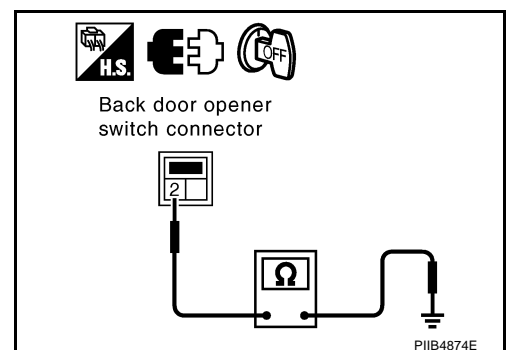
Check continuity between back door opener switch connector D110 terminals 2 and ground.

2 (B) - Ground : Continuity should exist.

OK or NG

OK >> Check the condition of harness and connector.

NG >> Repair or replace harness.



BACK DOOR OPENER

12. CHECK FUSE

Check 10A fuse [No.35 located in the fuse block (J/B)]

NOTE:

Refer to [BL-187, "Component Parts and Harness Connector Location"](#) .

OK or NG

OK >> GO TO 13.

NG >> If fuse is blown, be sure to eliminate cause of malfunction before installing new fuse.

13. CHECK BACK DOOR OPENER RELAY POWER SUPPLY

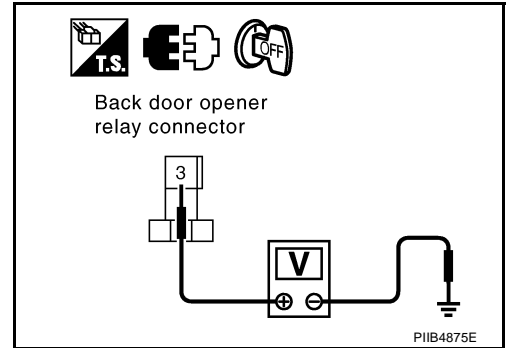
1. Remove back door opener relay.
2. Check voltage between back door opener relay connector B36 terminal 3 and ground.

3 (GR) - Ground : Battery voltage

OK or NG

OK >> GO TO 14.

NG >> Repair or replace back door opener relay power supply circuit.



14. CHECK BACK DOOR OPENER ACTUATOR CIRCUIT

1. Disconnect back door lock assembly connector.
2. Check continuity between back door relay connector B36 terminal 5 and back door lock assembly connector D111 terminal 1.

5 (G/R) - 1 (G/R) : Continuity should exist.

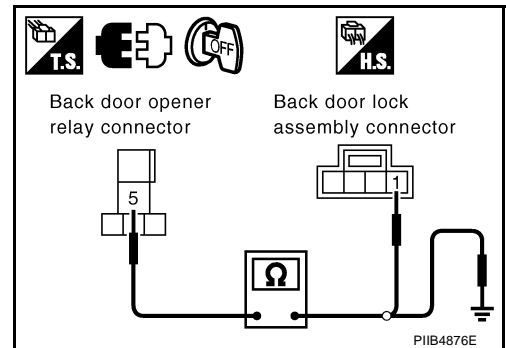
3. Check continuity between back door relay connector B36 terminal 5 and ground.

5 (G/R) - Ground : Continuity should not exist.

OK or NG

OK >> GO TO 15.

NG >> Repair or replace harness.



15. CHECK BACK DOOR OPENER ACTUATOR GROUND CIRCUIT

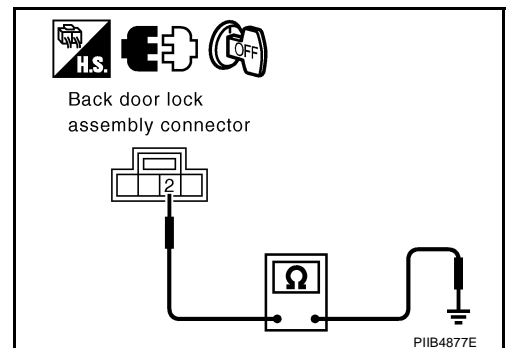
Check continuity between back door lock assembly connector D111 terminals 2 and ground.

2 (B) - Ground : Continuity should exist.

OK or NG

OK >> GO TO 16.

NG >> Repair or replace harness.



BACK DOOR OPENER

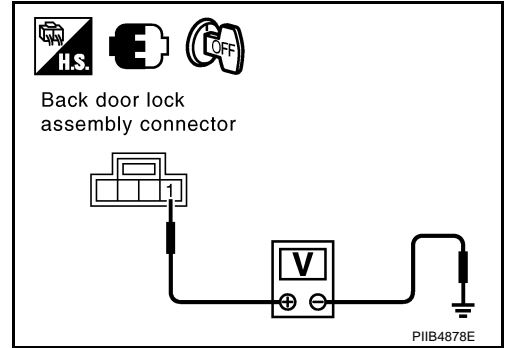
16. CHECK BACK LOCK OPERATE SIGNAL

1. Connect back door lock actuator connector and back door opener relay.
2. Check voltage between back door lock assembly connector and ground.

Connector	Terminal (Wire color)		Condition	Voltage [V] (Approx.)
	(+)	(-)		
D111	1 (G/R)	Ground	Back door opener switch : ON	0 → Battery voltage → 0
			: OFF	5

OK or NG

- OK >> Replace back door lock assembly.
 NG >> Check the condition of the harness and the connector.



BACK DOOR DOSE NOT OPEN WITH BACK DOOR OPENER SWITCH / WITH INTELLIGENT KEY SYSTEM

1. CHECK BACK DOOR CONDITION

Check back door condition.

Is the back door unlock?

- Yes >> GO TO 2.
 No >> Unlock does the back door.

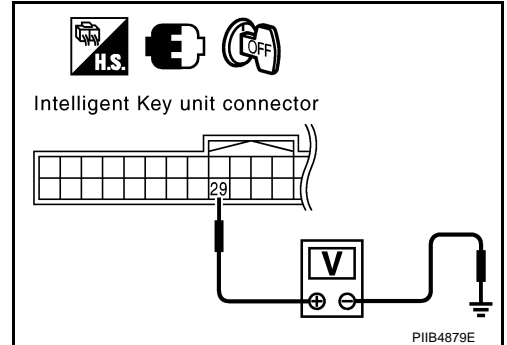
2. CHECK BACK DOOR OPEN INPUT SIGNAL

Check voltage between Intelligent Key unit connector and ground.

Connector	Terminal (Wire color)		Condition	Voltage [V] (Approx.)
	(+)	(-)		
M99	29 (G/W)	Ground	Back door opener switch : ON	0
			: OFF	5

OK or NG

- OK >> GO TO 3.
 NG >> GO TO 6.



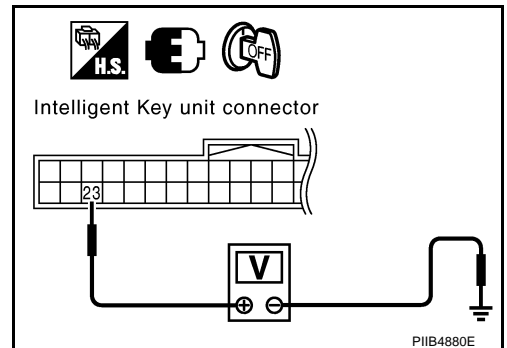
3. CHECK BACK DOOR OPEN OUTPUT SIGNAL

Check voltage between Intelligent Key connector and ground.

Connector	Terminal (Wire color)		Condition	Voltage [V] (Approx.)
	(+)	(-)		
M99	23 (G/L)	Ground	Back door opener switch : ON	Battery voltage
			: OFF	0

OK or NG

- OK >> GO TO 4.
 NG >> Replace Intelligent Key.



BACK DOOR OPENER

4. CHECK BACK DOOR OPENER RELAY CIRCUIT

1. Turn ignition switch OFF.
2. Disconnect Intelligent Key unit and back door opener relay connector.
3. Check continuity between Intelligent Key unit connector M99 terminal 23 and back door opener relay connector B36 terminal 2.

23 (G/L) - 2 (G/L) : Continuity should exist.

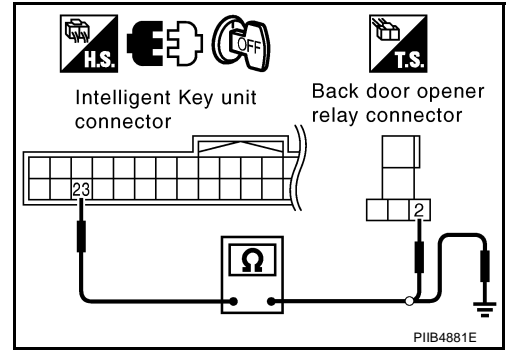
4. Check continuity between Intelligent Key unit connector M99 terminal 23 and ground.

23 (G/L) - Ground : Continuity should not exist.

OK or NG

OK >> GO TO 5.

NG >> Repair harness or connector.



5. CHECK BACK DOOR OPENER RELAY

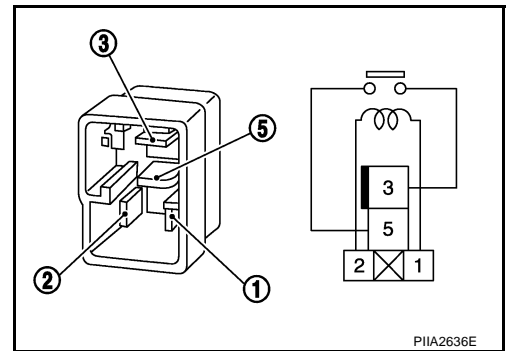
Check continuity between back door opener relay terminal 3 and 5.

Terminals		Condition	Continuity
3	5	12V direct current supply between 1 and 2	Yes
		Other than above	No

OK or NG

OK >> GO TO 9.

NG >> Replace back door opener relay.



6. CHECK BACK DOOR OPENER SWITCH CIRCUIT

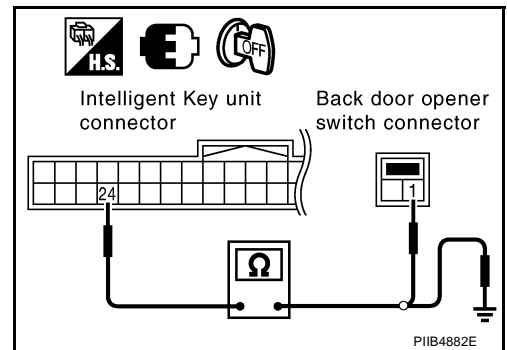
1. Disconnect Intelligent Key unit and back door opener switch connector.
2. Check continuity between Intelligent Key unit connector M99 terminal 24 and back door opener switch connector D110 terminal 1.

24 (G/O) - 1 (G/O) : Continuity should exist.

OK or NG

OK >> GO TO 7.

NG >> Repair harness or connector.



7. CHECK BACK DOOR OPENER SWITCH

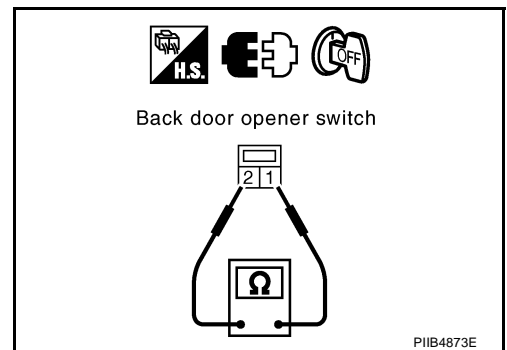
Check continuity between back door opener switch terminal 1 and 2.

Terminals		Condition	Continuity
1	2	Back door opener switch : ON	Yes
		: OFF	No

OK or NG

OK >> GO TO 8.

NG >> Replace back door opener switch.



BACK DOOR OPENER

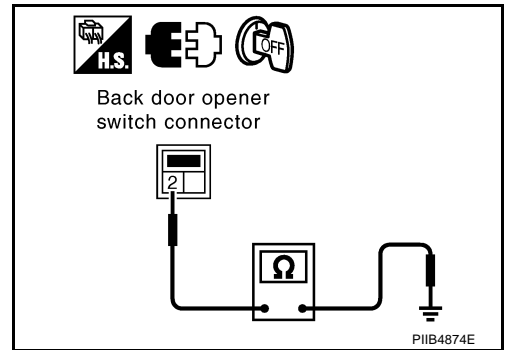
8. CHECK BACK DOOR OPENER SWITCH GROUND CIRCUIT

Check continuity between back door opener switch connector D110 terminals 2 and ground.

2(B) - Ground : Continuity should exist.

OK or NG

- OK >> Check the condition of harness and connector.
- NG >> Repair or replace harness.



9. CHECK FUSE

Check 10A fuse [No.35 located in the fuse block (J/B)]

NOTE:

Refer to [BL-187, "Component Parts and Harness Connector Location"](#) .

OK or NG

- OK >> GO TO 10.
- NG >> If fuse is blown, be sure to eliminate cause of malfunction before installing new fuse.

10. CHECK BACK DOOR OPENER RELAY POWER SUPPLY

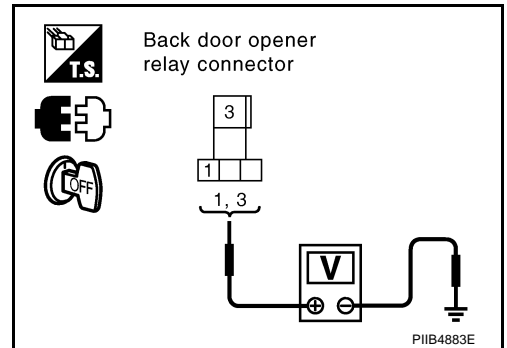
1. Remove back door opener relay.
2. Check voltage between back door opener relay connector B36 terminal 1, 3 and ground.

1 (GR) - Ground : Battery voltage

3 (GR) - Ground : Battery voltage

OK or NG

- OK >> GO TO 11.
- NG >> Repair or replace back door opener relay power supply circuit.



11. CHECK BACK DOOR OPENER ACTUATOR CIRCUIT

1. Disconnect back door lock assembly connector.
2. Check continuity between back door relay connector B36 terminal 5 and back door lock assembly connector D111 terminal 1.

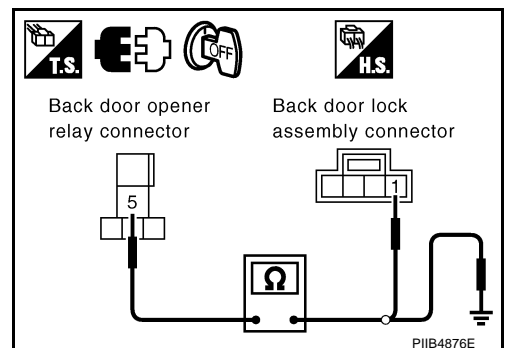
5 (G/R) - 1 (G/R) : Continuity should exist.

3. Check continuity between back door relay connector B36 terminal 5 and ground.

5 (G/R) - Ground : Continuity should not exist.

OK or NG

- OK >> GO TO 12.
- NG >> Repair or replace harness.



BACK DOOR OPENER

12. CHECK BACK DOOR OPENER ACTUATOR GROUND CIRCUIT

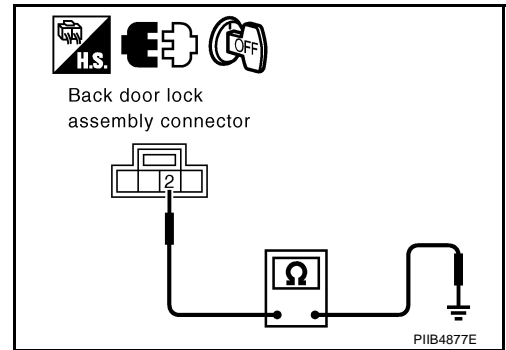
Check continuity between back door lock assembly connector D111 terminals 2 and ground.

2 (B) - Ground : Continuity should exist.

OK or NG

OK >> GO TO 13.

NG >> Repair or replace harness.



13. CHECK BACK LOCK OPERATE SIGNAL

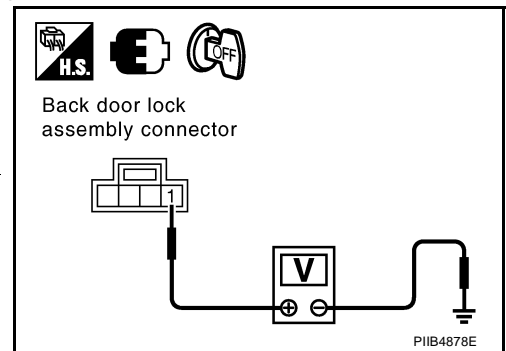
1. Connect back door lock actuator connector and back door opener relay.
2. Check voltage between back door lock assembly connector and ground.

Connec- tor	Terminal (Wire color)		Condition	Voltage [V] (Approx.)
	(+)	(-)		
D111	1 (G/R)	Ground	Back door opener switch	: ON : OFF
				0 → Battery voltage → 0 5

OK or NG

OK >> Replace back door lock assembly.

NG >> Check the condition of the harness and the connector.



BACK DOOR DOSE NOT OPEN WITH BACK DOOR REQUEST SWITCH

Refer to [BL-122, "Trouble Diagnosis Procedure"](#)

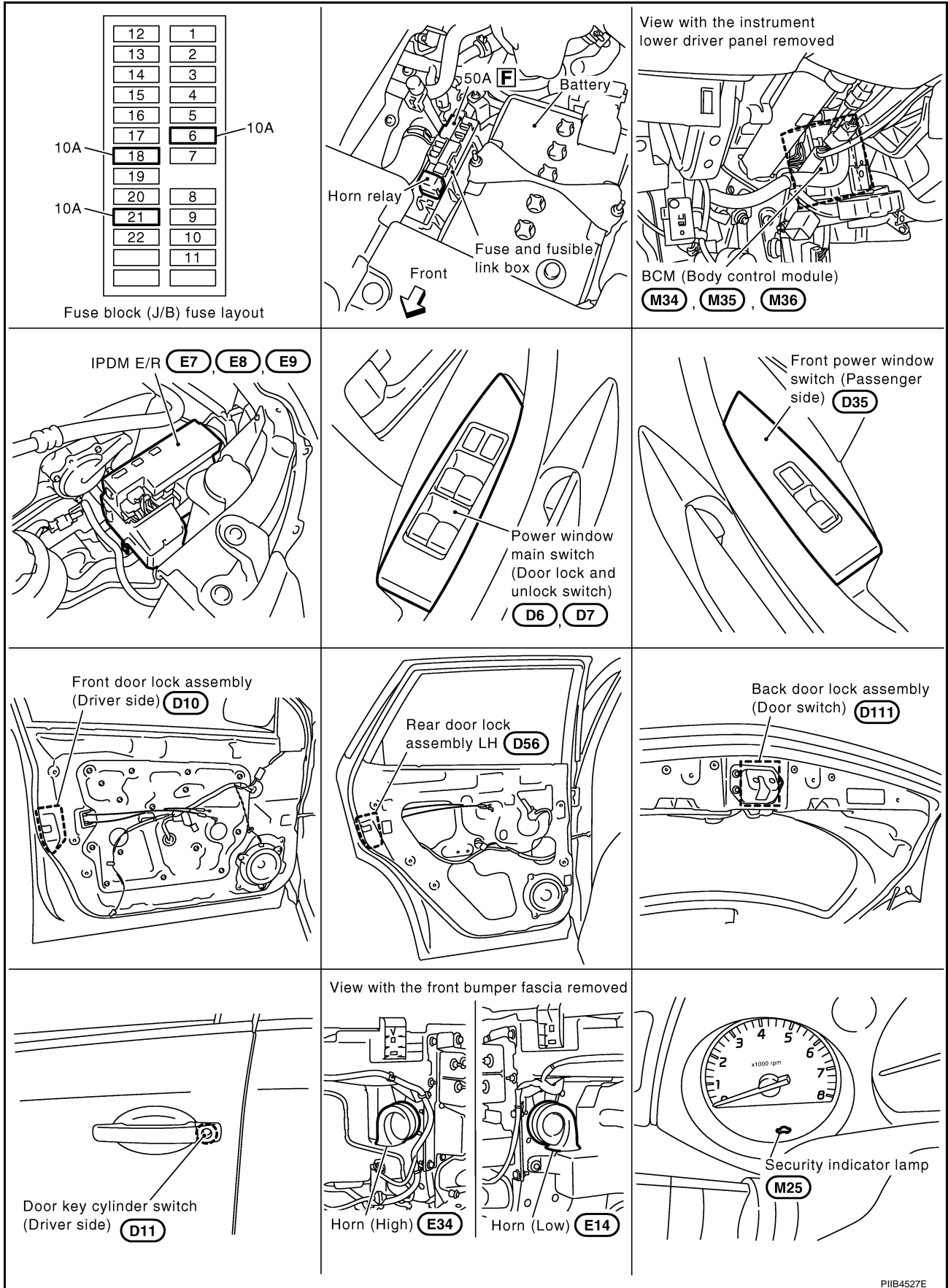
VEHICLE SECURITY (THEFT WARNING) SYSTEM

VEHICLE SECURITY (THEFT WARNING) SYSTEM

PPF:28491

Component Parts and Harness Connector Location

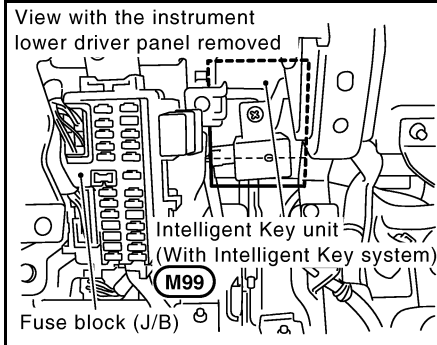
AIS001VO



A
B
C
D
E
F
G
H
J
K
L
M

BL

VEHICLE SECURITY (THEFT WARNING) SYSTEM



PIIB4529E

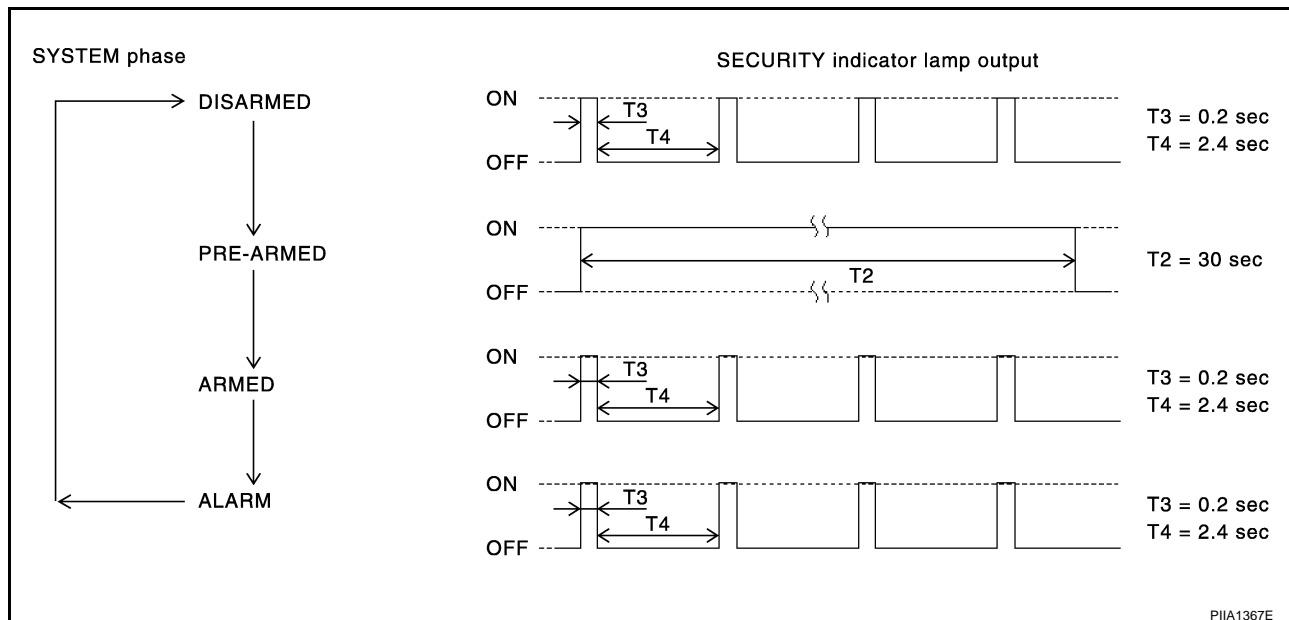
VEHICLE SECURITY (THEFT WARNING) SYSTEM

System Description

AIS001VP

DESCRIPTION

Operation Flow



Setting the Vehicle Security System

Initial condition

- Ignition switch is in OFF position.

Disarmed phase

- When doors or back door is open, the vehicle security system is set in the disarmed phase on the assumption that the owner is inside or near the vehicle.
- When the vehicle security system is in the disarmed phase, the security indicator lamp blinks every 2.4 seconds.

Pre-armed phase and armed phase

When the following operation 1 or 2 is performed, the vehicle security system turns into the “pre-armed” phase. (The security indicator lamp illuminates.)

1. BCM receives LOCK signal from front door key cylinder switch or key fob after, back door and all doors are closed.
2. Back door and all doors are closed after front doors are locked by key or door lock and unlock switch. The security indicator lamp illuminates for 30 seconds. Then, the system automatically shifts into the “armed” phase.

Canceling the Set Vehicle Security System

When one of the following operations is performed, the armed phase is canceled.

1. Unlock the doors with the key or the key fob.
2. Turn ignition switch “ON” or “ACC” position.

Canceling the Alarm Operation of the Vehicle Security System

When unlocking the door with the key or key fob the alarm operation is canceled.

Activating the Alarm Operation of the Vehicle Security System

Make sure the system is in the armed phase. (The security indicator lamp blinks every 2.4 seconds.)

When the following operation 1 or 2 is performed, the system sounds the horns and flashes the headlamps for about 50 seconds.

1. Back door or any door is opened during armed phase.
2. Disconnecting and connecting the battery connector before canceling armed phase.

VEHICLE SECURITY (THEFT WARNING) SYSTEM

POWER SUPPLY AND GROUND

Power is supplied at all times

- through 10A fuse [No. 21, located in the fuse block (J/B)]
- to combination meter (security indicator lamp) terminal 21.

Power is supplied at all times

- through 50A fusible link (letter **F** , located in the fuse and fusible link box)
- to BCM terminal 55.
- through 10A fuse [No. 18, located in the fuse block (J/B)]
- to BCM terminal 42

When ignition switch is ACC or ON position, power is supplied

- through 10A fuse [No. 6, located in the fuse block (J/B)]
- to BCM terminal 11.

Ground is supplied

- to BCM terminal 52
- through body grounds E13, E26 and M28.

INITIAL CONDITION TO ACTIVATE THE SYSTEM

The operation of the vehicle security system is controlled by the doors and back door.

To activate the vehicle security system, BCM must receive signals indicating the doors and back door are closed and the doors are locked by key fob.

When a door is open, BCM terminals 12, 13, 62 or 63 receives a ground signal from each door switch.

When front door LH is unlocked by power window main switch (door lock and unlock switch), BCM terminal 22 receives a signal from terminal 14 of power window main switch.

When front door RH is unlocked by power window switch (passenger side) (door lock and unlock switch), BCM terminal 22 receives a signal from terminal 16 of front power window switch (passenger side).

When front key cylinder switch is in UNLOCK position, ground is supplied

- to power window main switch terminal 6
- through front key cylinder terminals 6 and 5 (without Intelligent Key)
- through door key cylinder switch terminals 3 and 2 (with Intelligent Key)
- through body grounds M14 and M78.

Then power window main switch send unlock signal to BCM.

When the back door is open, BCM terminal 58 receives a ground signal

- through back door lock assembly terminal 3 and 4
- through body grounds B7 and B20.

VEHICLE SECURITY SYSTEM ALARM OPERATION

The vehicle security system is triggered by

- opening a door
- opening the back door
- detection of battery disconnect and connect.

The vehicle security system will be triggered once the system is in armed phase,

When BCM receives a ground signal at terminals 12, 13, 62 and 63 receives a signal from each door switch, 58 (back door switch).

Power is supplied at all times

- to horn relay terminal 2
- through 15A fuse (No. 32, located in the fuse and fusible link box).

When the vehicle security system is triggered, ground is supplied intermittently to both headlamp relay and horn relay.

When headlamp high relay (with built-in IPDM E/R) and horn relay are energized and then power is supplied to headlamps (LH and RH) and horns (HIGH and LOW).

The headlamps flash and the horn sounds intermittently.

The alarm automatically turns off after 50 seconds, but will reactivate if the vehicle is tampered with again.

VEHICLE SECURITY (THEFT WARNING) SYSTEM

VEHICLE SECURITY SYSTEM DEACTIVATION

To deactivate the vehicle security system, a door or the back door must be unlocked with the key or key fob. When the key is used to unlock a door, BCM terminal 22 receives signal

- from terminal 14 of the power window main switch (door lock and unlock switch).

When the BCM receives either one of these signals or unlock signal from key fob or key cylinder switch, the vehicle security system is deactivated. (Disarmed phase)

PANIC ALARM OPERATION

Remote control entry system may or may not operate vehicle security system (horn and headlamps) as required.

When the remote control entry system is triggered, ground is supplied intermittently to both headlamp relay and horn relay.

When headlamp relay (with built-in IPDM E/R) and horn relay are energized and then power is supplied to headlamps (LH and RH) and horns (HIGH and LOW).

The headlamp flashes and the horn sounds intermittently.

The alarm automatically turns off after 30 seconds or when BCM receives any signal from key fob.

CAN Communication System Description

AIS001VQ

CAN (Controller Area Network) is a serial communication line for real time application. It is an on-vehicle multiplex communication line with high data communication speed and excellent error detection ability. Many electronic control units are equipped onto a vehicle, and each control unit shares information and links with other control units during operation (not independent). In CAN communication, control units are connected with 2 communication lines (CAN H line, CAN L line) allowing a high rate of information transmission with less wiring. Each control unit transmits/receives data but selectively reads required data only.

CAN Communication Unit

AIS004W3

Refer to [LAN-29, "CAN COMMUNICATION"](#).

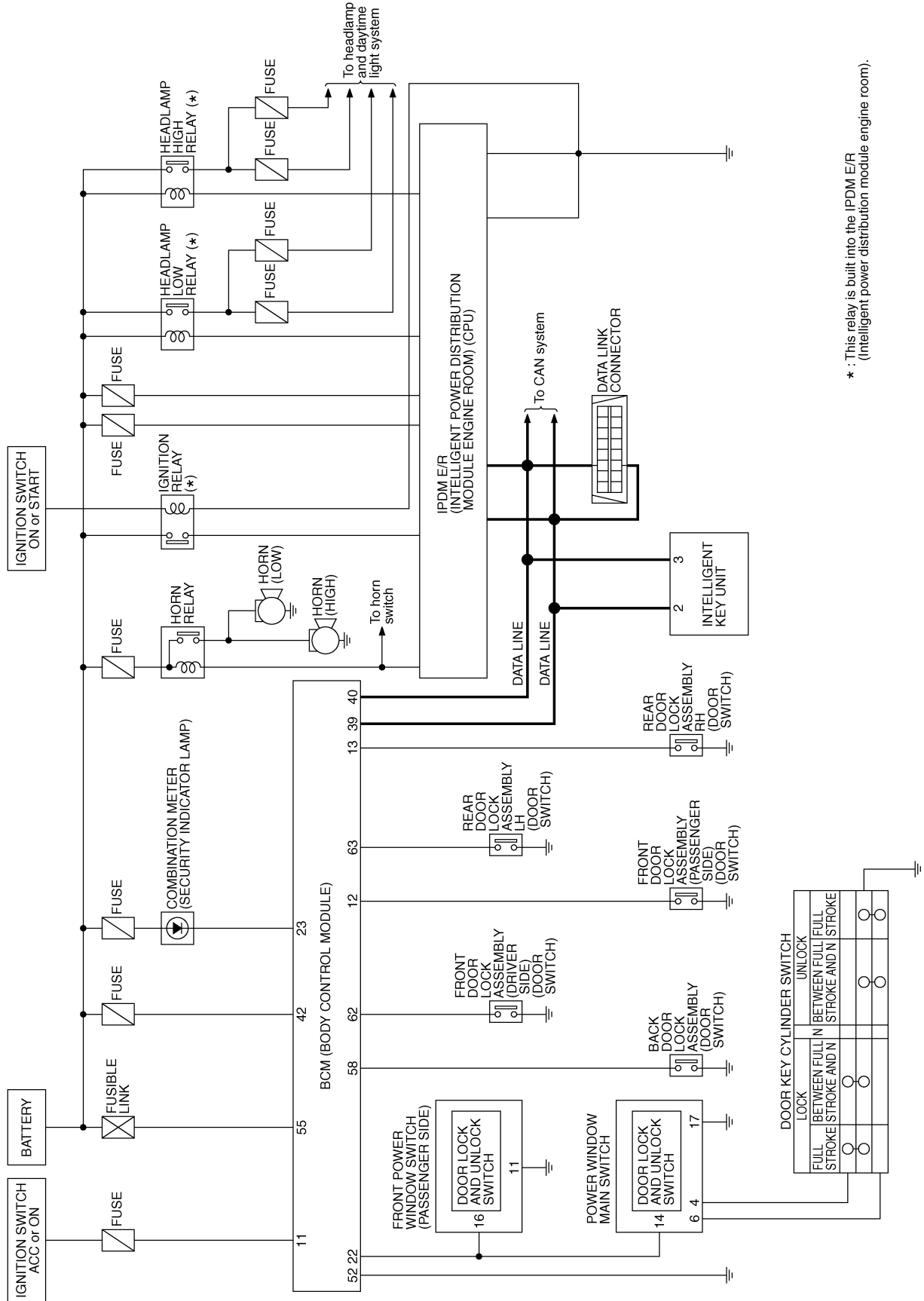
A
B
C
D
E
F
G
H
J
K
L
M

BL

VEHICLE SECURITY (THEFT WARNING) SYSTEM

Schematic / With Intelligent Key

AI5001VR



* : This relay is built into the IPDM E/R (Intelligent power distribution module engine room).

TIWB0166E

VEHICLE SECURITY (THEFT WARNING) SYSTEM

Wiring Diagram -VEHSEC- / With Intelligent Key

FIG. 1

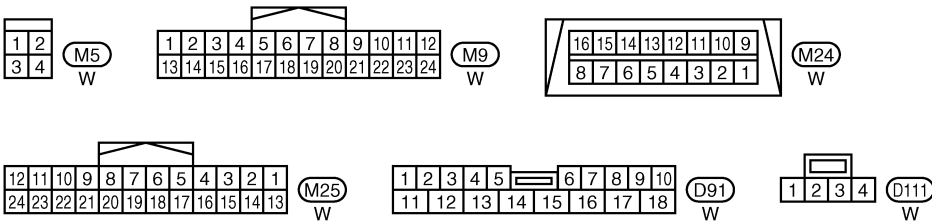
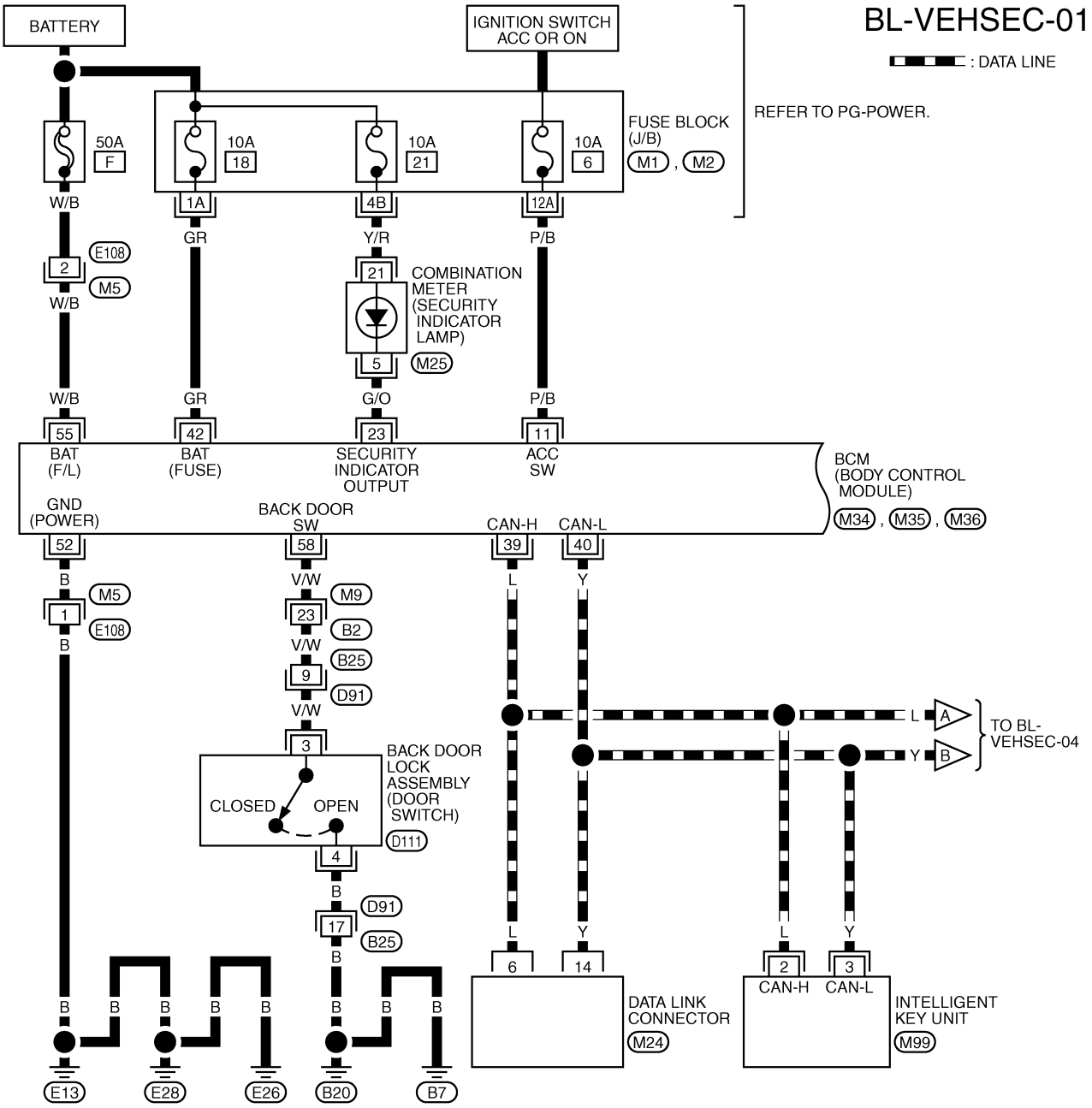
AIS001VS

A
B
C
D
E
F
G
H
J
K
L
M

BL-VEHSEC-01

DATA LINE

REFER TO PG-POWER.



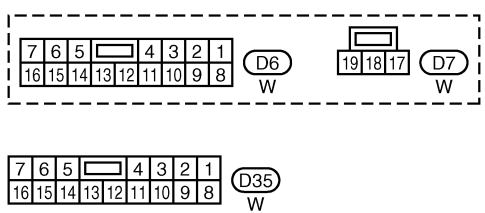
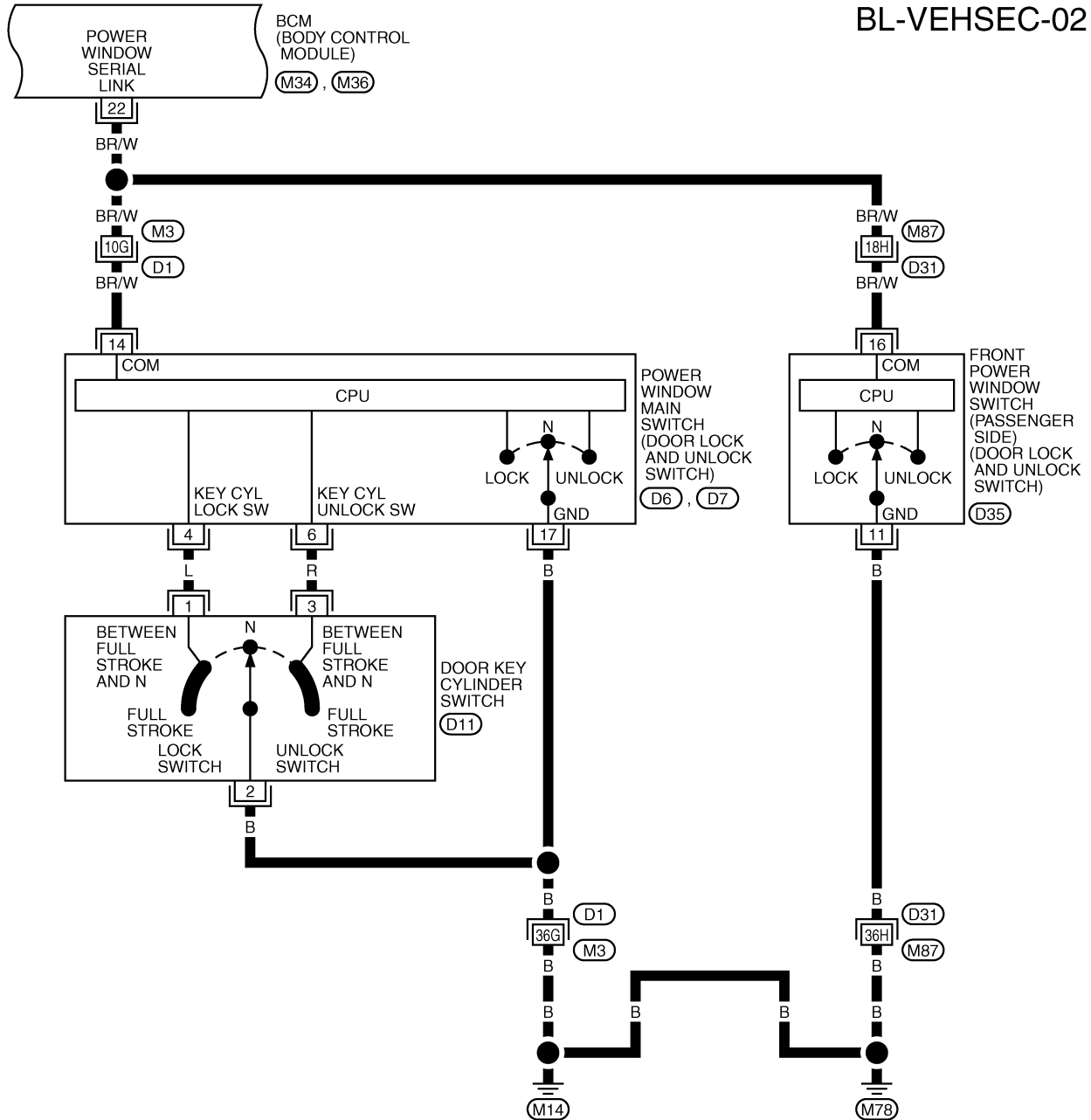
REFER TO THE FOLLOWING.
 (M1), (M2) - FUSE BLOCK-JUNCTION BOX (J/B)
 (M34), (M35), (M36), (M99) - ELECTRICAL UNITS

TIWB0167E

VEHICLE SECURITY (THEFT WARNING) SYSTEM

FIG. 2

BL-VEHSEC-02



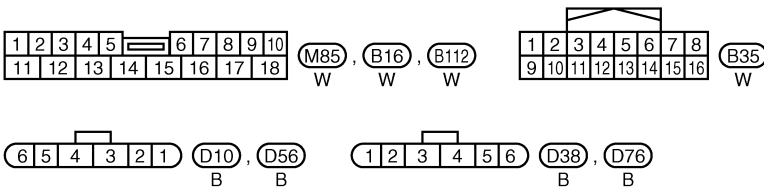
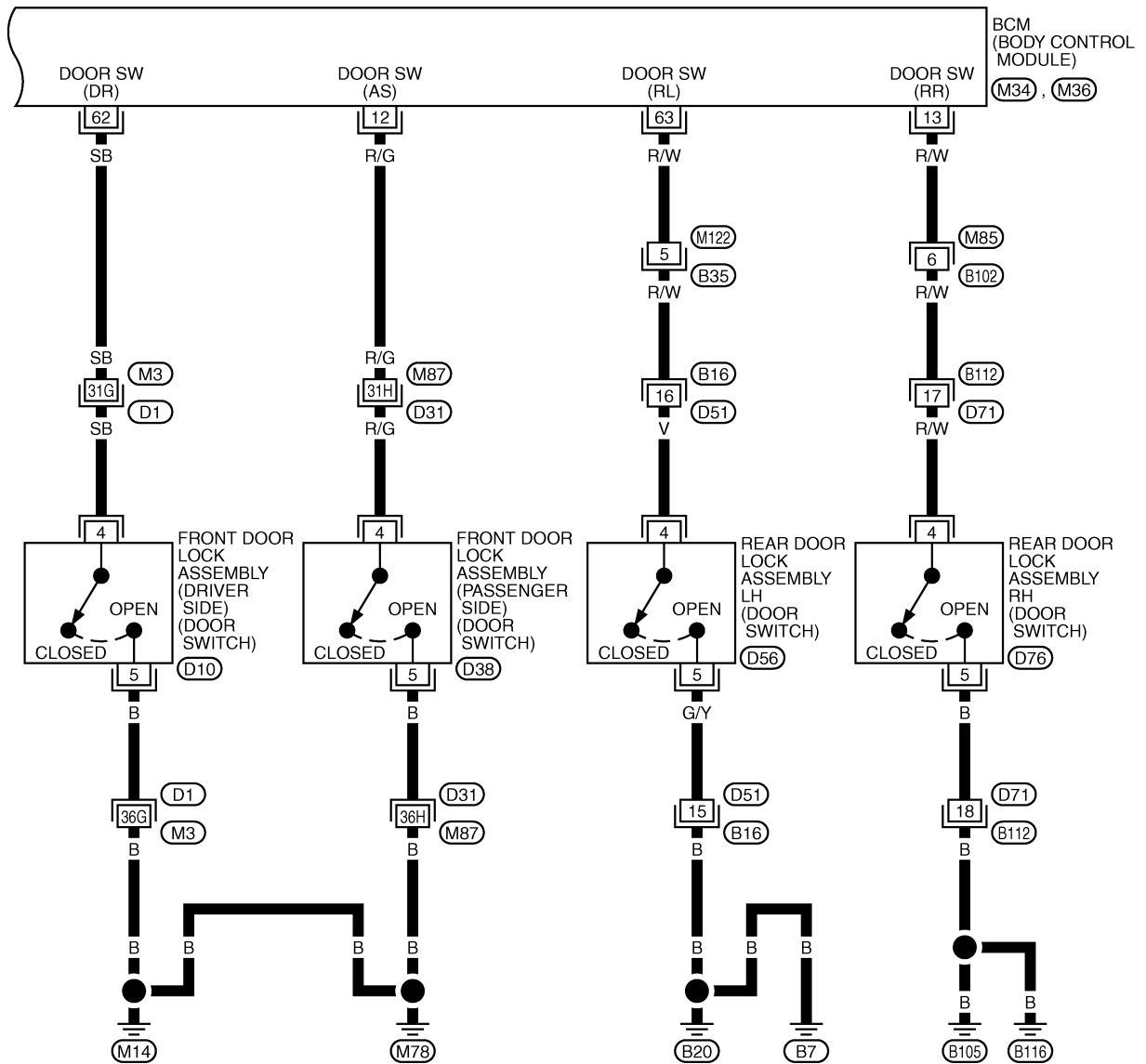
REFER TO THE FOLLOWING.
 (D1), (D31) -SUPER MULTIPLE JUNCTION (SMJ)
 (M34), (M36) -ELECTRICAL UNITS

T1WB0168E

VEHICLE SECURITY (THEFT WARNING) SYSTEM

FIG. 3

BL-VEHSEC-03



REFER TO THE FOLLOWING.
 (D1), (D31) -SUPER MULTIPLE JUNCTION (SMJ)
 (M34), (M36) -ELECTRICAL UNITS

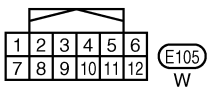
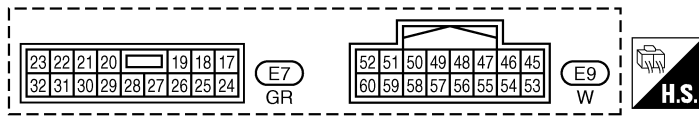
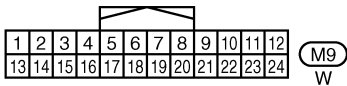
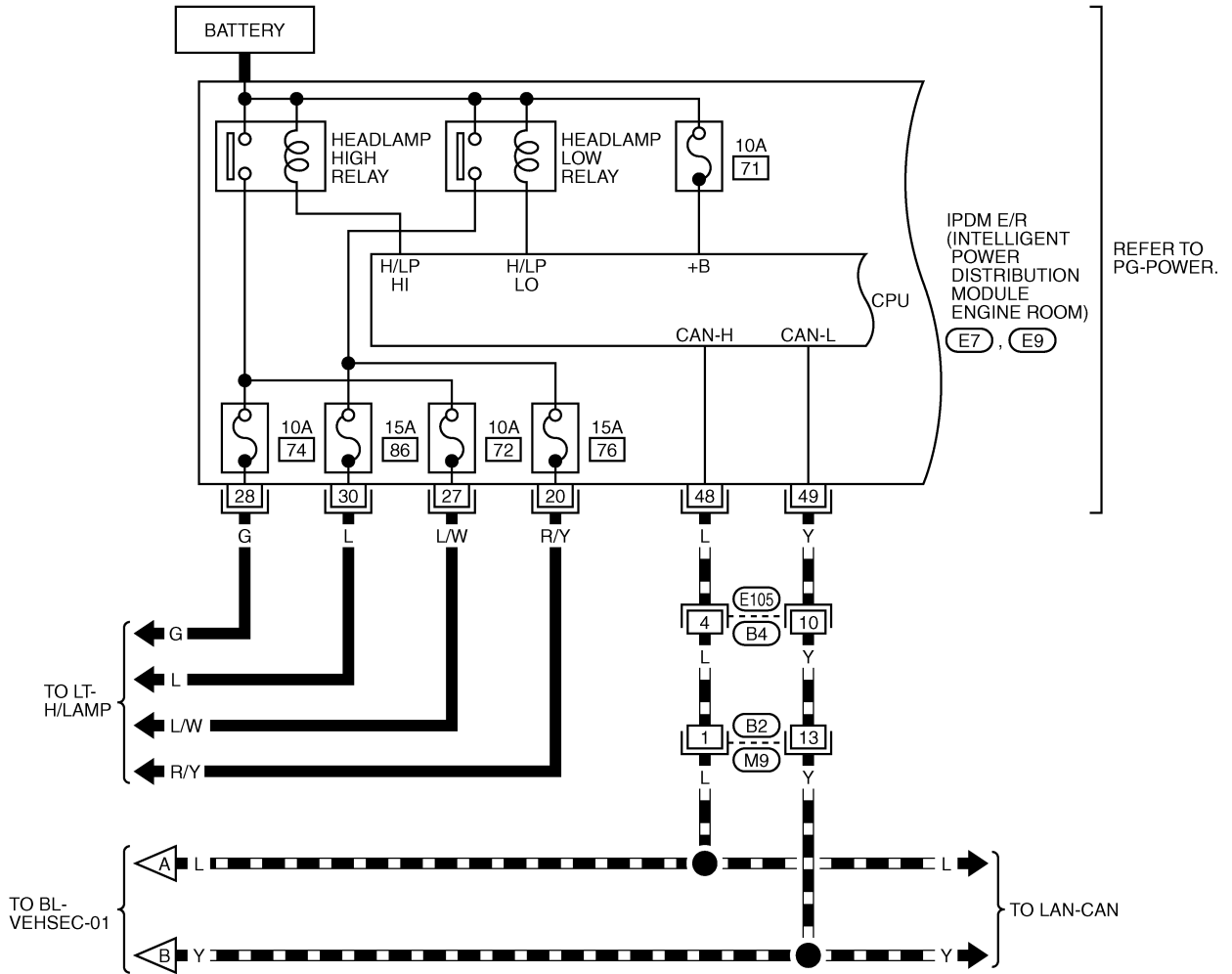
T1WB0169E

VEHICLE SECURITY (THEFT WARNING) SYSTEM

FIG. 4

BL-VEHSEC-04

▬ : DATA LINE

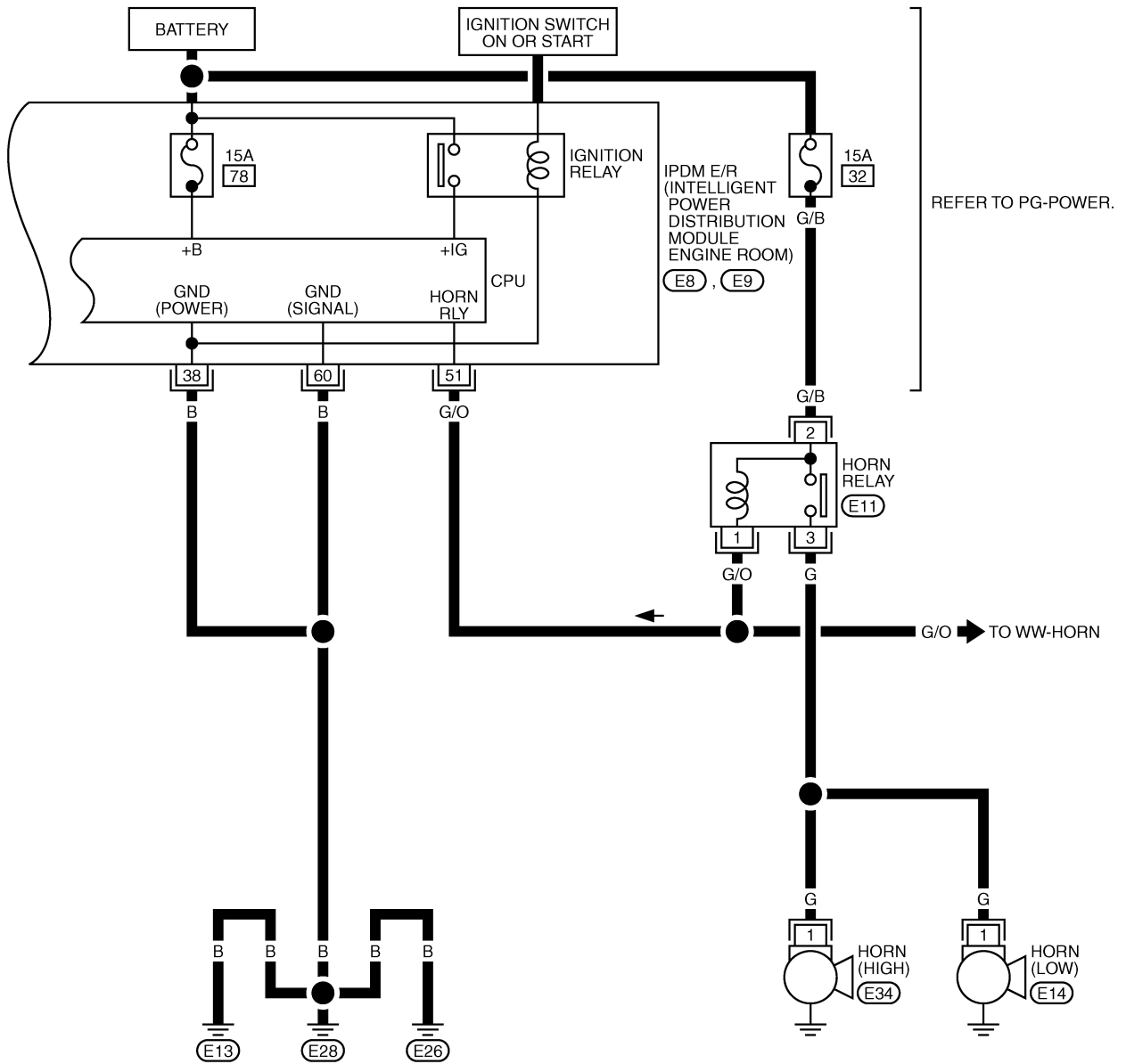


T1WB0170E

VEHICLE SECURITY (THEFT WARNING) SYSTEM

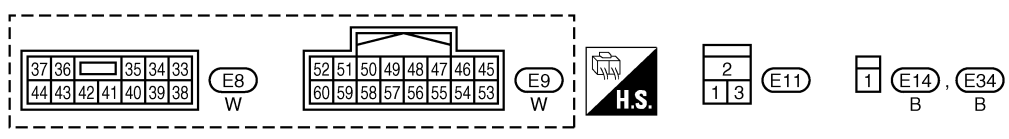
FIG. 5

BL-VEHSEC-05



A
B
C
D
E
F
G
H
J
K
L
M

BL

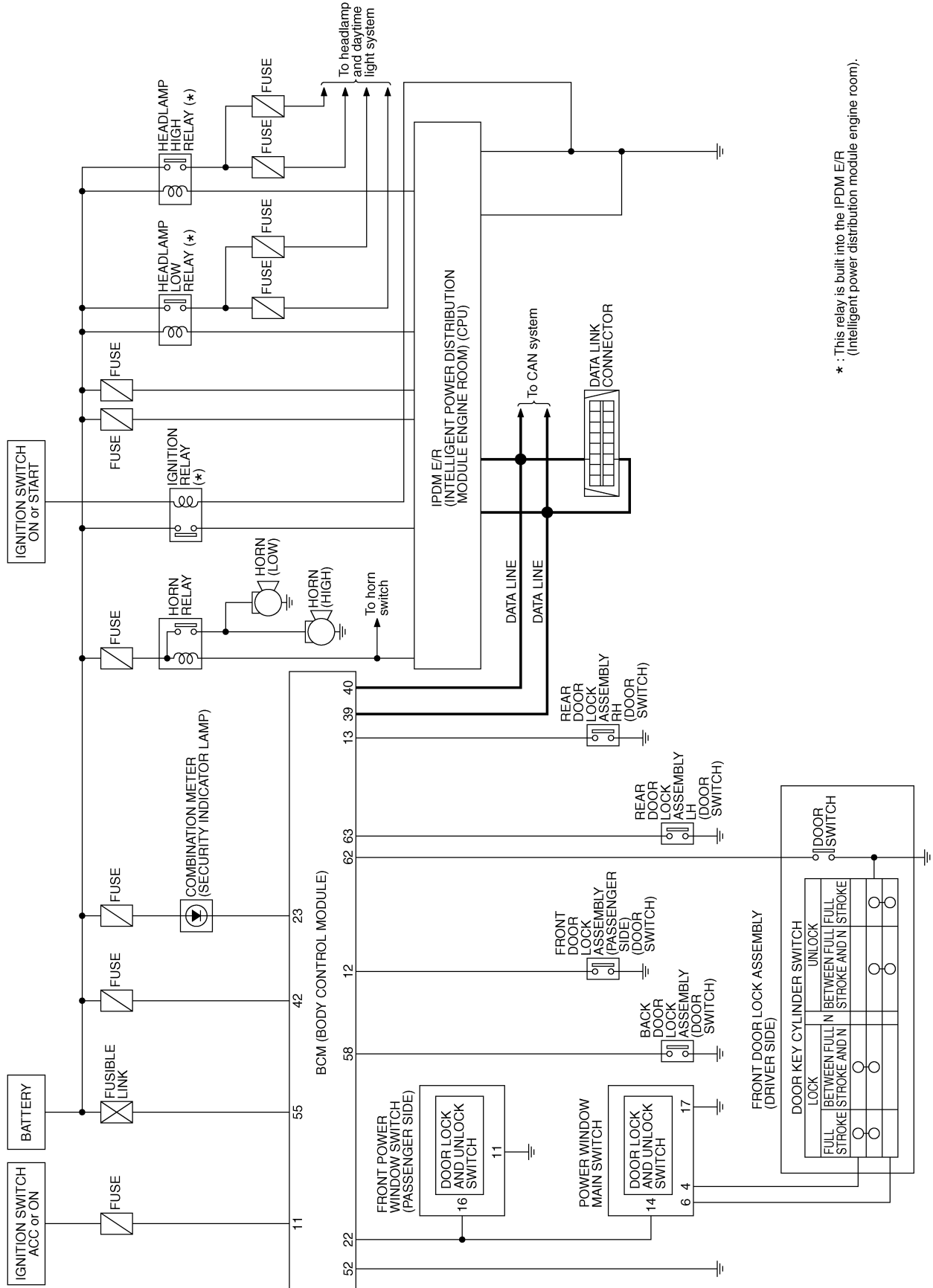


T1WA0500E

VEHICLE SECURITY (THEFT WARNING) SYSTEM

AIS006EJ

Schematic / Without Intelligent Key



* : This relay is built into the IPDM E/R (Intelligent power distribution module engine room).

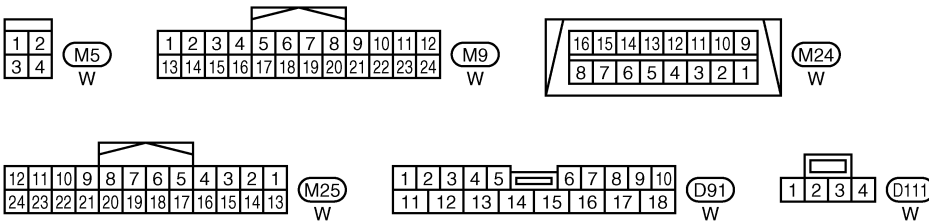
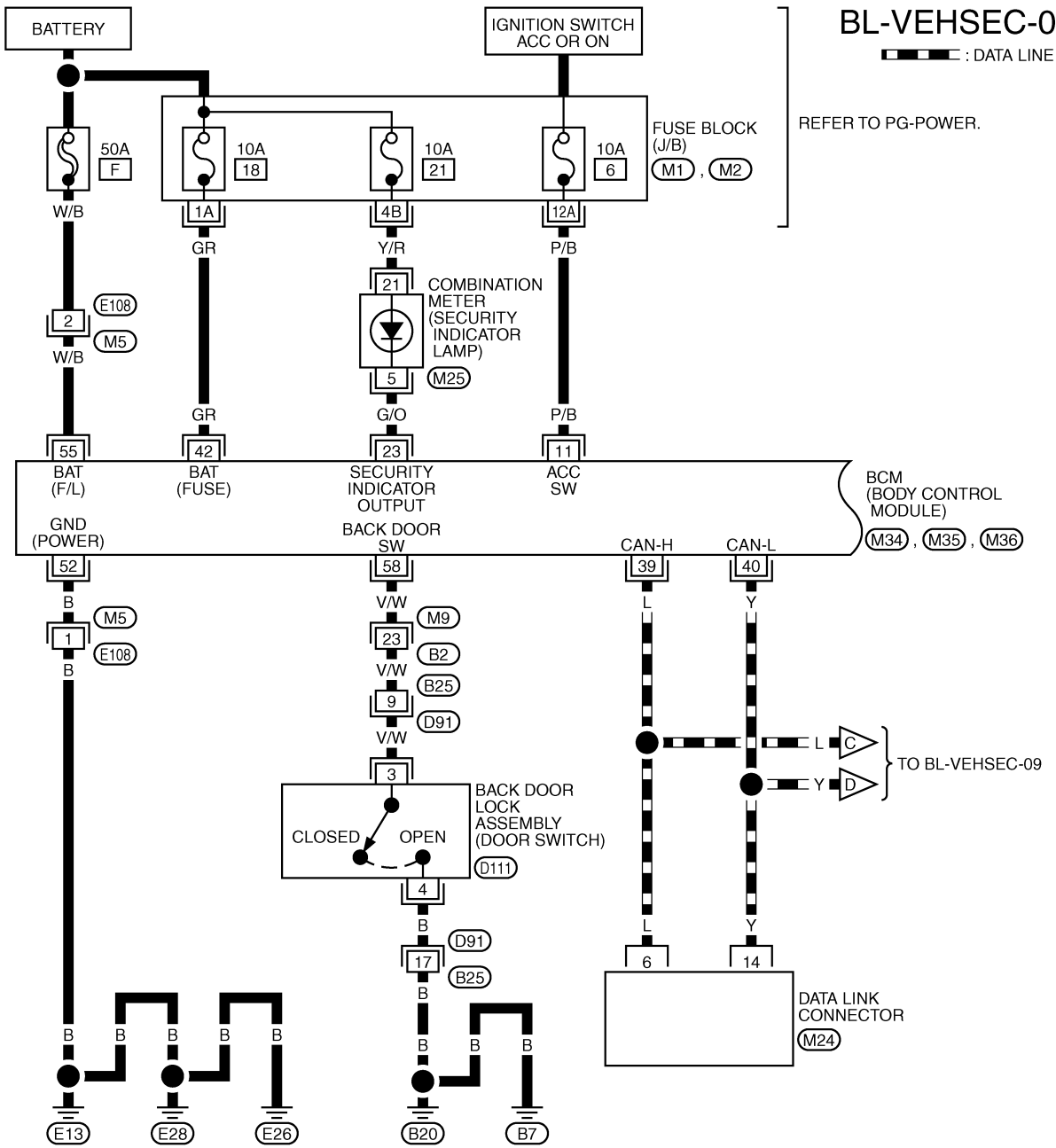
TIWB0285E

VEHICLE SECURITY (THEFT WARNING) SYSTEM

Wiring Diagram -VEHSEC- / Without Intelligent Key

FIG. 6

AIS006EK



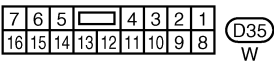
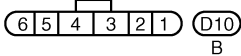
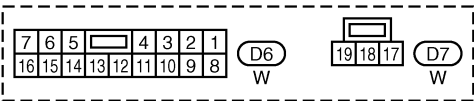
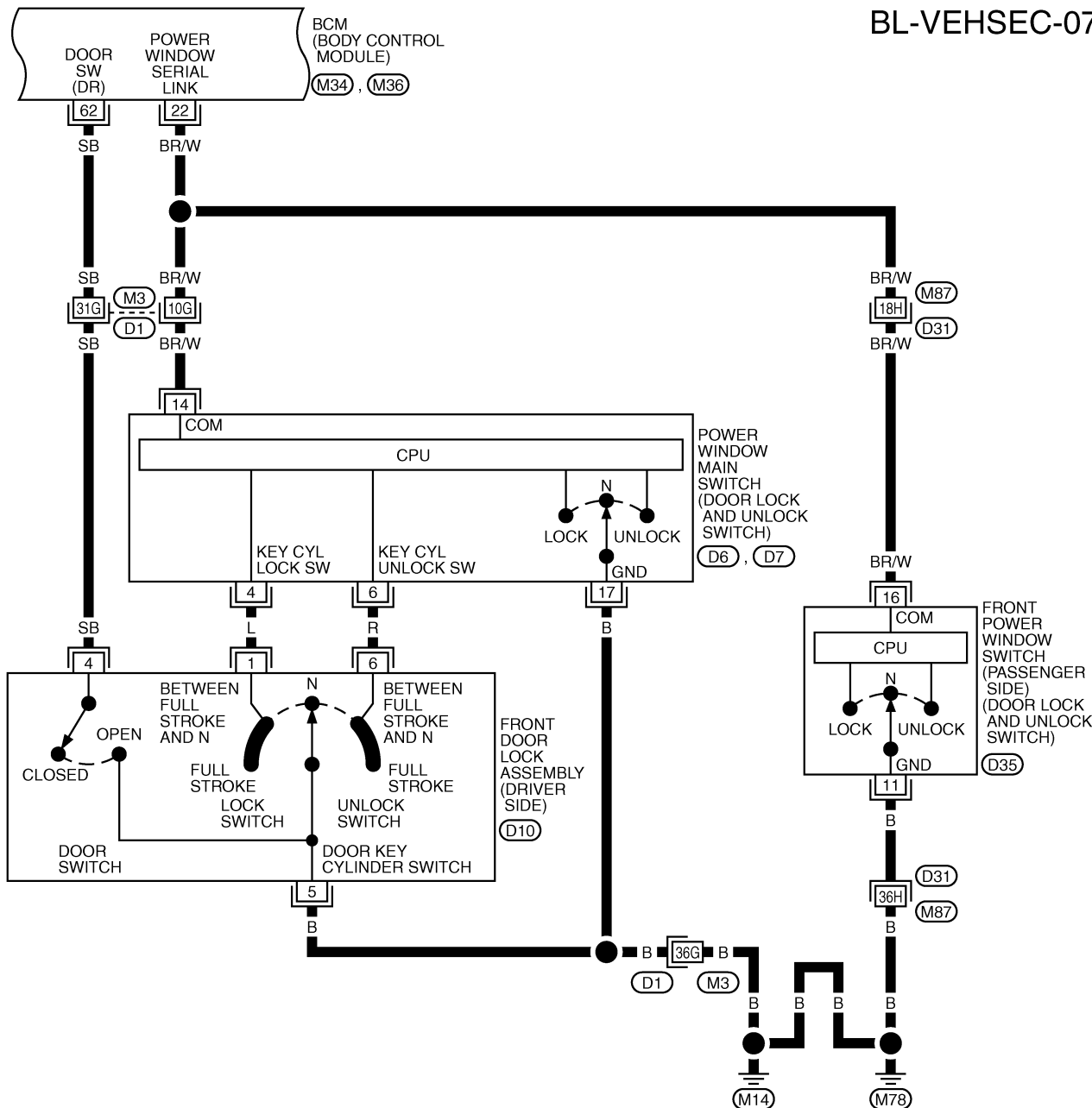
REFER TO THE FOLLOWING.
 (M1), (M2) - FUSE BLOCK-JUNCTION BOX (J/B)
 (M34), (M35), (M36) - ELECTRICAL UNITS

TIWB0286E

VEHICLE SECURITY (THEFT WARNING) SYSTEM

FIG. 7

BL-VEHSEC-07



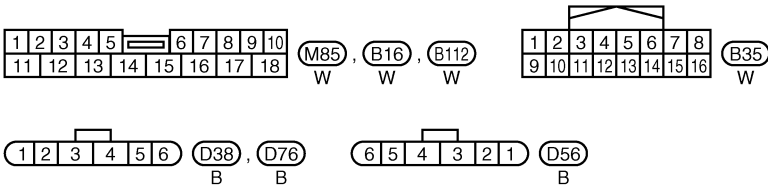
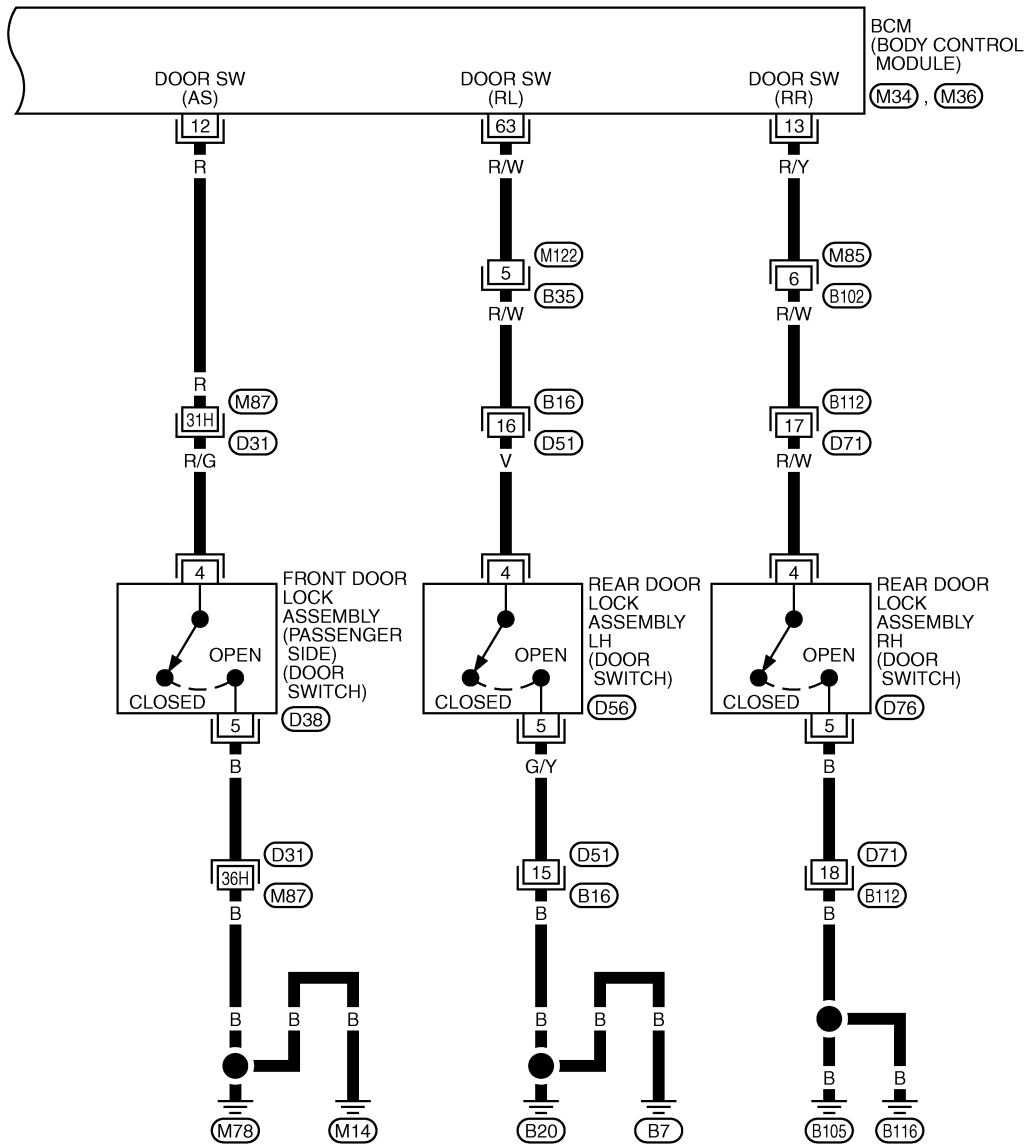
REFER TO THE FOLLOWING.
 (D1), (D31) -SUPER MULTIPLE JUNCTION (SMJ)
 (M34), (M36) -ELECTRICAL UNITS

T1WB0287E

VEHICLE SECURITY (THEFT WARNING) SYSTEM

FIG. 8

BL-VEHSEC-08



REFER TO THE FOLLOWING.

- D31 -SUPER MULTIPLE JUNCTION (SMJ)
- M34, M36 -ELECTRICAL UNITS

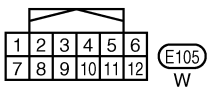
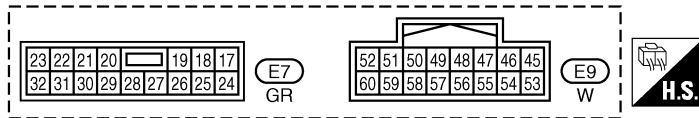
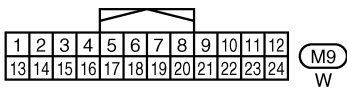
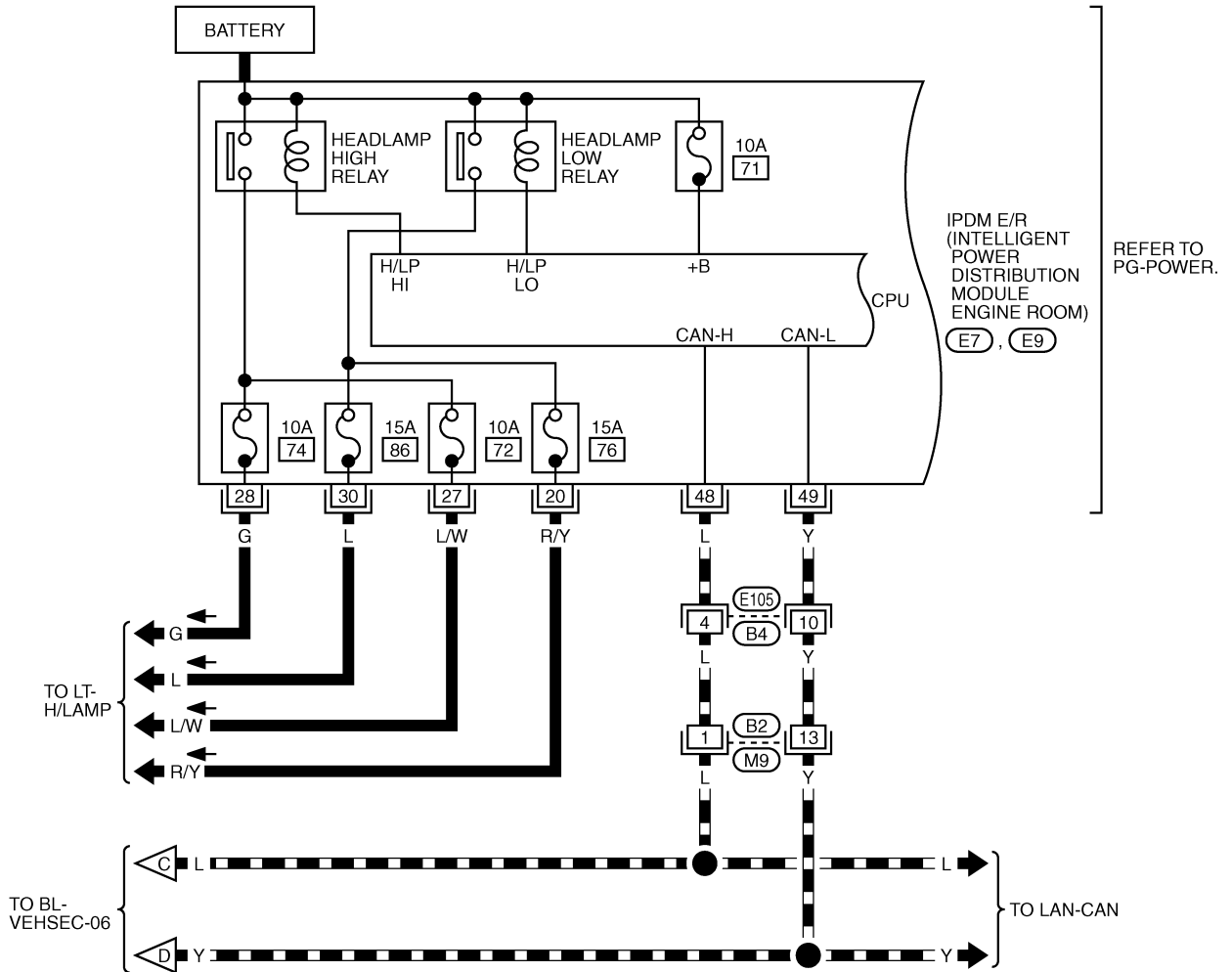
TIW0288E

VEHICLE SECURITY (THEFT WARNING) SYSTEM

FIG. 9

BL-VEHSEC-09

▬ : DATA LINE

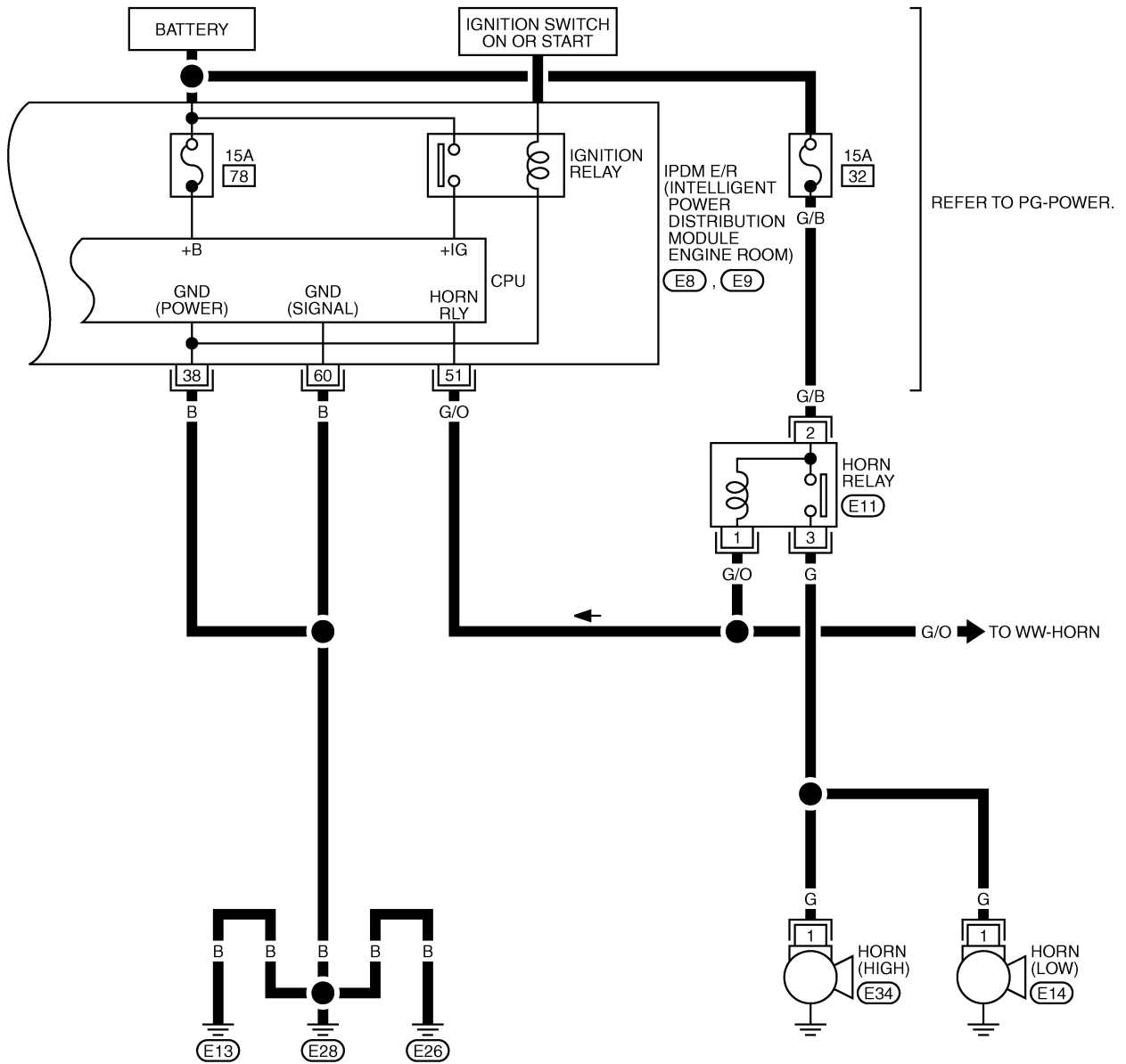


TIWB0289E

VEHICLE SECURITY (THEFT WARNING) SYSTEM

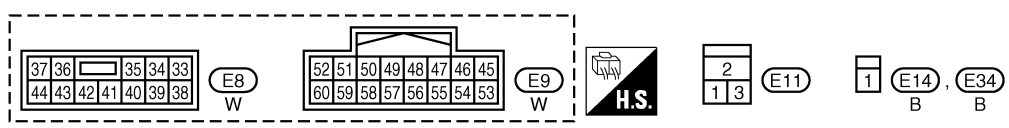
FIG. 10

BL-VEHSEC-10



A
B
C
D
E
F
G
H
J
K
L
M

BL

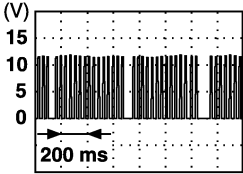


T1WB0290E

VEHICLE SECURITY (THEFT WARNING) SYSTEM

Terminals and Reference Value for BCM

AIS001VT

TERMINAL	WIRE COLOR	ITEM	CONDITION	VOLTAGE [V] (Approx.)
11	P/B	Ignition switch (ACC)	Ignition switch (ACC position)	Battery voltage
12	R R/G*	Door switch (Passenger side)	ON (Door is opened) → OFF (Door is closed)	0 → Battery voltage
13	R/Y R/W*	Rear door switch RH	ON (Door is opened) → OFF (Door is closed)	0 → Battery voltage
22	BR/W	Power window switch (Serial link)	Ignition switch (ON or power window timer operating)	 PIIA2344J
23	G/O	Combination meter (security indicator lamp)	Goes off → Illuminates	Battery voltage → 0
39	L	CAN-H	—	—
40	Y	CAN-L	—	—
52	B	Ground	—	0
55	W/B	Power source (Fusible link)	—	Battery voltage
58	V/W	Back door switch	ON (Door is opened) → OFF (Door is closed)	0 → Battery voltage
62	SB	Door switch (Driver side)	ON (Door is opened) → OFF (Door is closed)	0 → Battery voltage
63	R/W	Rear door switch LH	ON (Door is opened) → OFF (Door is closed)	0 → Battery voltage

* : with Intelligent Key

Terminals and Reference Value for IPDM E/R

AIS001VU

TERMINAL	WIRE COLOR	ITEM	CONDITION	VOLTAGE [V] (Approx.)
38	B	Ground	—	0
48	L	CAN-H	—	—
49	Y	CAN-L	—	—
51	G/O	Horn relay	ON → OFF	0 → Battery voltage
60	B	Ground	—	0

VEHICLE SECURITY (THEFT WARNING) SYSTEM

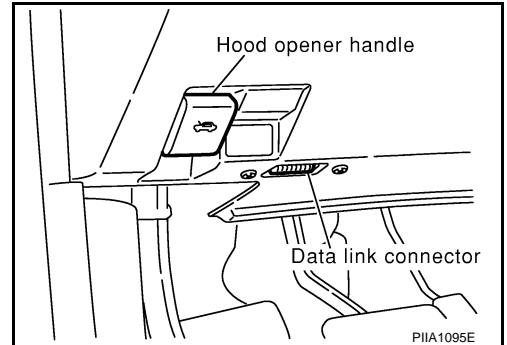
AIS001VV

CONSULT-II Function CONSULT-II INSPECTION PROCEDURE

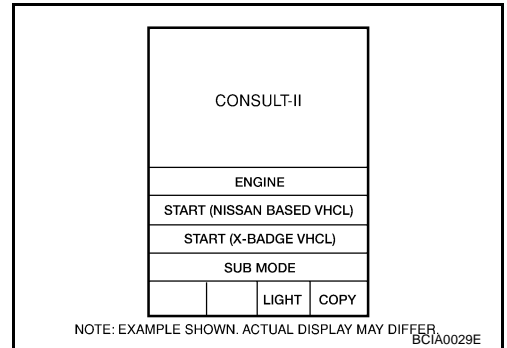
CAUTION:

If CONSULT-II is used with no connection of CONSULT-II CONVERTER, malfunctions might be detected in self-diagnosis depending on control unit which carry out CAN communication.

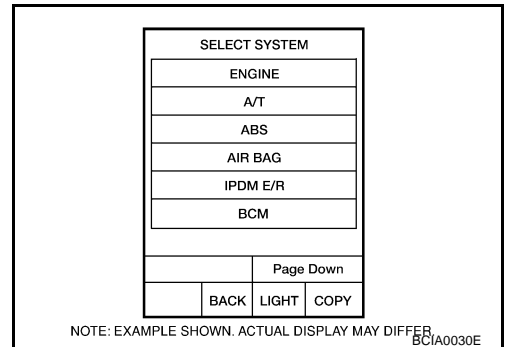
1. Turn ignition switch OFF.
2. Connect CONSULT-II and CONSULT-II CONVERTER to data link connector.



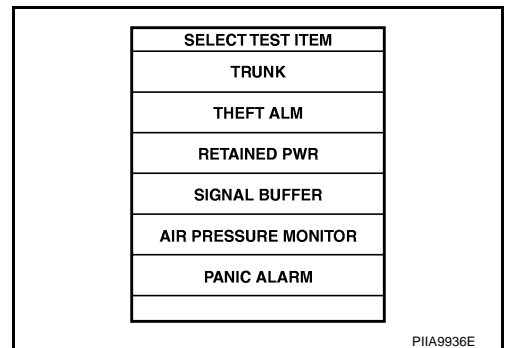
3. Turn ignition switch ON.
4. Touch "START" (NISSAN BASED VHCL).



5. Touch "BCM".
If "BCM" is not indicated, go to [GI-39, "CONSULT-II Data Link Connector \(DLC\) Circuit"](#).



6. Touch "THEFT ALM".

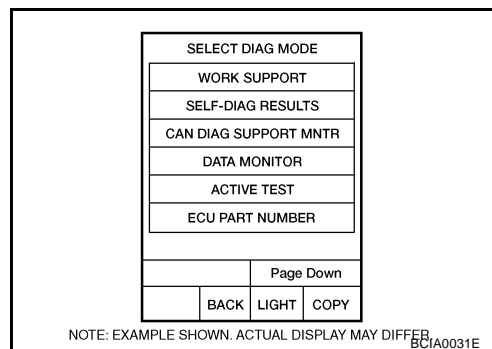


7. Select diagnosis mode.

A
B
C
D
E
F
G
H
BL
J
K
L
M

VEHICLE SECURITY (THEFT WARNING) SYSTEM

“WORK SUPPORT”, “DATA MONITOR” and “ACTIVE TEST” are available.



CONSULT-II APPLICATION ITEM

Work Support

Test Item	Description
SECURITY ALARM SET	This mode is able to confirm and change security alarm ON-OFF setting.
THEFT ALM TRG	The switch which triggered vehicle security alarm is recorded. This mode is able to confirm and erase the record of vehicle security alarm. The trigger data can be erased by touching “CLEAR” on CONSULT-II screen.

Data Monitor

Monitored Item	Description
IGN ON SW	Indicates [ON/OFF] condition of ignition switch.
ACC ON SW	Indicates [ON/OFF] condition of ignition switch in ACC position.
KEY ON SW	Indicates [ON/OFF] condition of key switch.
KEYLESS LOCK	Indicates [ON/OFF] condition of lock signal from key fob.
KEYLESS UNLOCK	Indicates [ON/OFF] condition of unlock signal from key fob.
KEYLESS TRUNK	Indicates [ON/OFF] condition of trunk opener signal from key fob.
TRUNK OPNR SW	This is displayed even when it is not equipped.
TRUNK CYL SW	This is displayed even when it is not equipped.
TRUNK OPN MNTR	Indicates [ON/OFF] condition of trunk room lamp switch.
HOOD SW	Indicates [ON/OFF] condition of hood switch.
DOOR SW-DR	Indicates [ON/OFF] condition of front door switch LH.
DOOR SW-AS	Indicates [ON/OFF] condition of front door switch RH.
DOOR SW-RR	Indicates [ON/OFF] condition of rear door switch RH.
DOOR SW-RL	Indicates [ON/OFF] condition of rear door switch LH.
BACK DOOR SW	This is displayed even when it is not equipped.
KEY CYL LK-SW	Indicates [ON/OFF] condition of lock signal from front door key cylinder switch.
KEY CYL UN-SW	Indicates [ON/OFF] condition of unlock signal from front door key cylinder switch.
CDL LOCK SW	Indicates [ON/OFF] condition of lock signal from door lock/unlock switch LH and RH.
CDL UNLOCK SW	Indicates [ON/OFF] condition of unlock signal from door lock/unlock switch LH and RH.

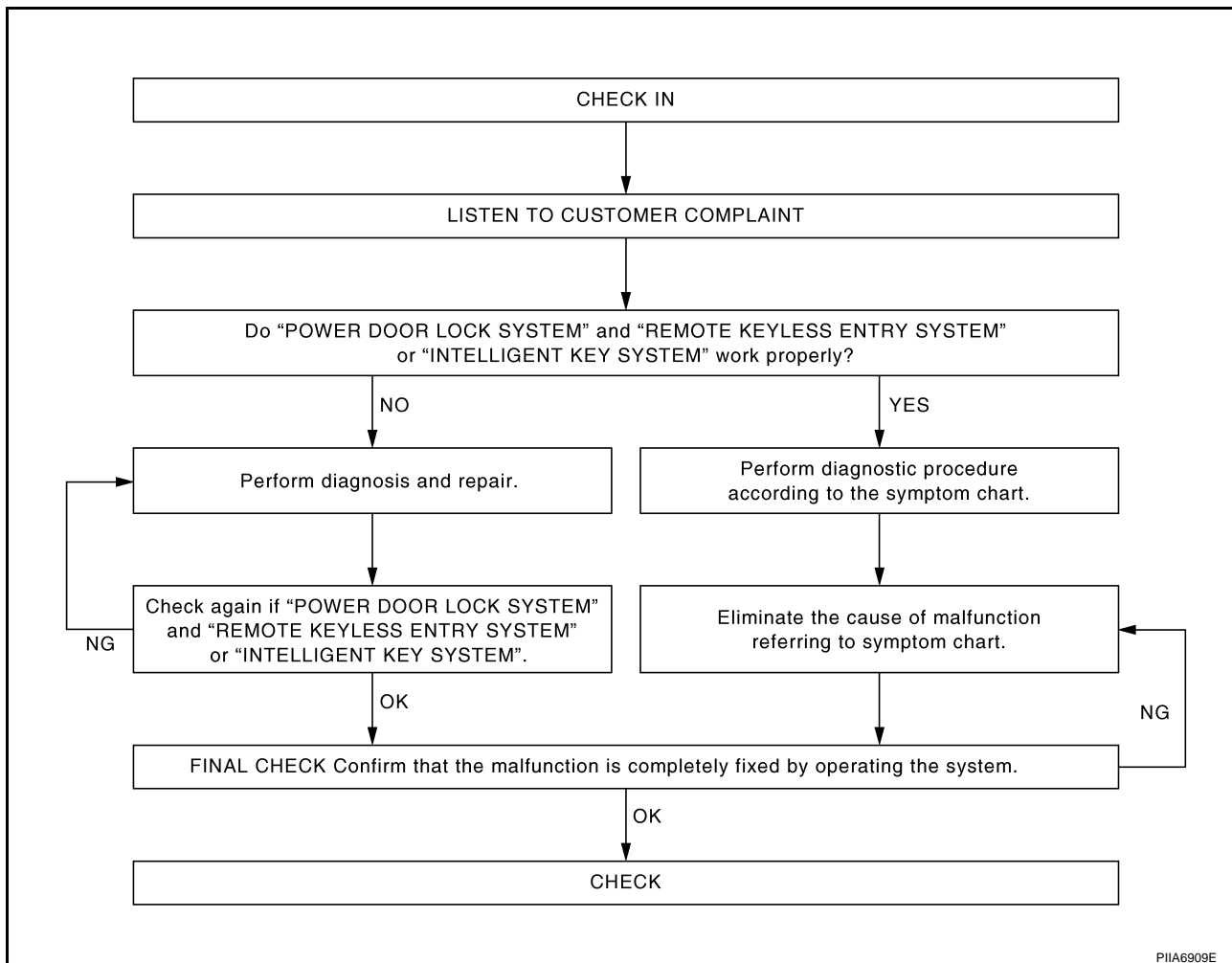
Active Test

Test Item	Description
THEFT IND	This test is able to check security indicator lamp operation. The lamp will be turned on when “ON” on CONSULT-II screen is touched.
VEHICLE SECURITY HORN	This test is able to check vehicle security horn operation. The horns will be activated for 0.5 seconds after “ON” on CONSULT-II screen is touched.
HEADLAMP(HI)	This test is able to check vehicle security lamp operation. The headlamps will be activated for 0.5 seconds after “ON” on CONSULT-II screen is touched.

VEHICLE SECURITY (THEFT WARNING) SYSTEM

Trouble Diagnosis WORK FLOW

AIS001VW



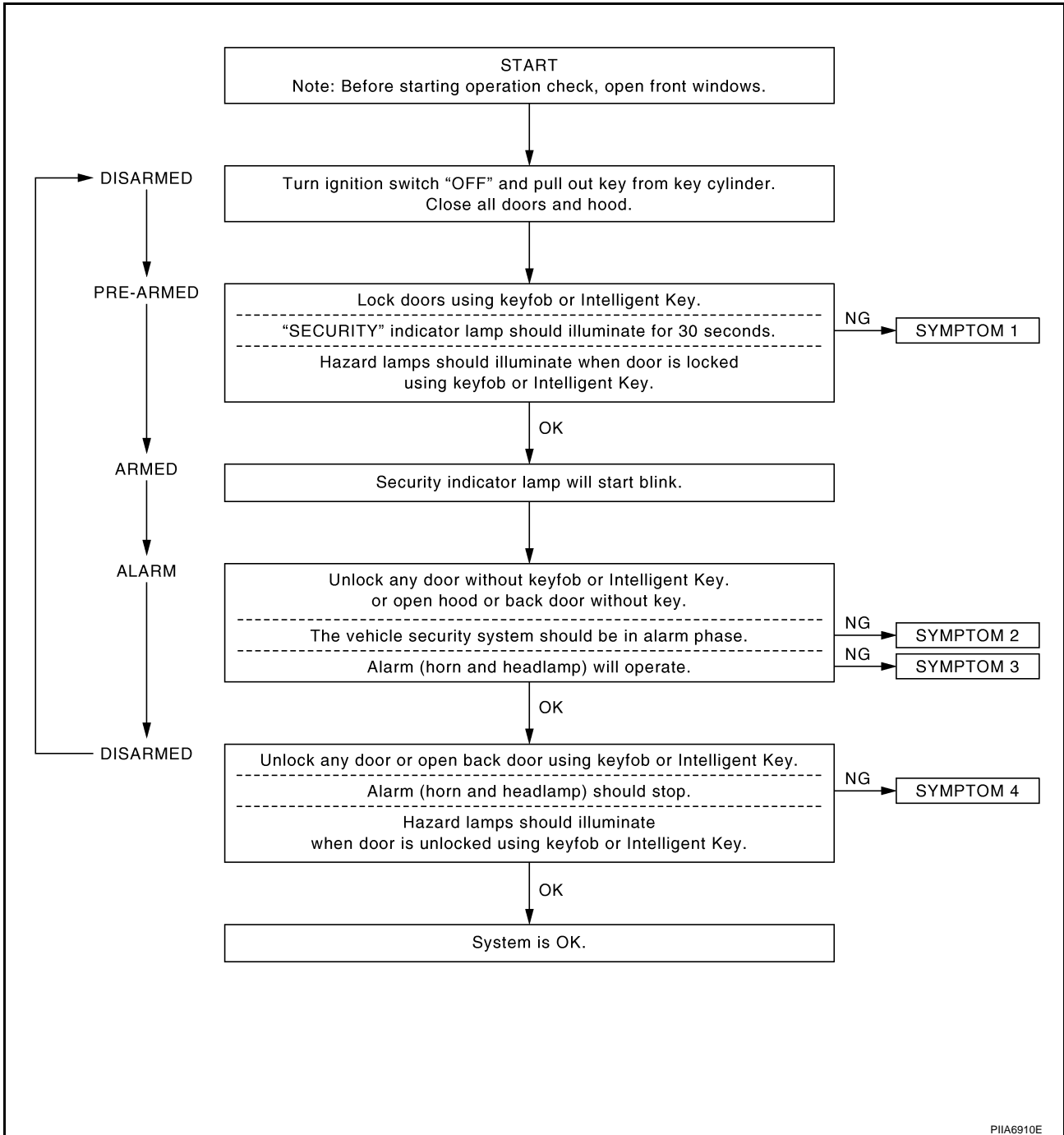
- "POWER DOOR LOCK SYSTEM" Diagnosis; refer to [BL-43, "Work Flow"](#) .
- "REMOTE CONTROL SYSTEM" Diagnosis; refer to [BL-73, "Work Flow"](#) .
- "INTELLIGENT KEY SYSTEM" Diagnosis; refer to [BL-123, "WORK FLOW"](#) .

VEHICLE SECURITY (THEFT WARNING) SYSTEM

AIS001VX

Preliminary Check

The system operation is canceled by turning ignition switch to "ACC" at any step between START and ARMED in the following flow chart.



PIIA6910E

After performing preliminary check, go to symptom chart. Refer to [BL-227, "Symptom Chart"](#) .

VEHICLE SECURITY (THEFT WARNING) SYSTEM

Symptom Chart

AIS001VY

PROCEDURE		Diagnostic procedure	Reference page
SYMPTOM			
1	Vehicle security system cannot be set by	Door switch	Diagnostic Procedure 1 (Check door and back door switch) BL-228
		Lock/unlock switch	Diagnostic Procedure 6 (Check door lock/unlock switch) BL-233
		Door outside key	Diagnostic Procedure 3 (Check door key cylinder switch) BL-233
		Key fob	Check remote keyless entry. BL-73
		Intelligent Key	Check Intelligent Key. BL-128
		—	If the above systems are "OK", replace BCM. BCS-16
	Security indicator does not turn "ON".	Diagnostic Procedure 2 (Check security indicator lamp) BL-232	
		If the above systems are "OK", replace BCM. BCS-16	
2	*1 Vehicle security system does not alarm when	Any door is opened.	Diagnostic Procedure 1 (Check door and back door switch) BL-228
			If the above systems are "OK", replace BCM. BCS-16
3	Vehicle security alarm does not activate.	Horn alarm	Diagnostic Procedure 4 (Check vehicle security horn alarm) BL-233
			Check horn function. WW-57
		Headlamp alarm	If the above systems are "OK", replace BCM. BCS-16
			Diagnostic Procedure 5 (Check headlamp alarm) BL-233
4	Vehicle security system cannot be canceled by	Door outside key	Diagnostic Procedure 3 (Check door key cylinder switch) BL-233
			If the above systems are "OK", check power window main switch. GW-39
		Key fob	Check remote keyless entry function. BL-73
			If the above systems are "OK", replace BCM. BCS-16
		Intelligent Key	Check Intelligent Key entry function. BL-90
			If the above systems are "OK", replace BCM. BCS-16

*1: Make sure the system is in the armed phase.

VEHICLE SECURITY (THEFT WARNING) SYSTEM

AIS001VZ

Diagnostic Procedure 1 1 – 1 DOOR SWITCH CHECK

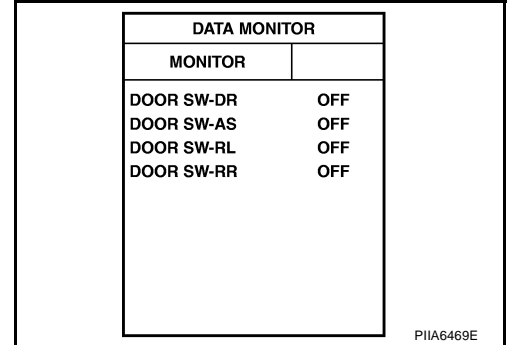
First perform the "SELF-DIAG RESULTS" in "BCM" with CONSULT-II, when perform the each trouble diagnosis. Refer to [BCS-15, "CAN Communication Inspection Using CONSULT-II \(Self-Diagnosis\)"](#).

1. CHECK DOOR SWITCH INPUT SIGNAL

Ⓟ With CONSULT-II

Check door switches ("DOOR SW-DR", "DOOR SW-AS", "DOOR SW-RL" and "DOOR SW-RR") in "DATA MONITOR" mode with CONSULT-II.

Monitor item	Condition	
DOOR SW-DR	Door is closed ↓	OFF
DOOR SW-AS		↓
DOOR SW-RL	Door is opened	ON
DOOR SW-RR		



ⓧ Without CONSULT-II

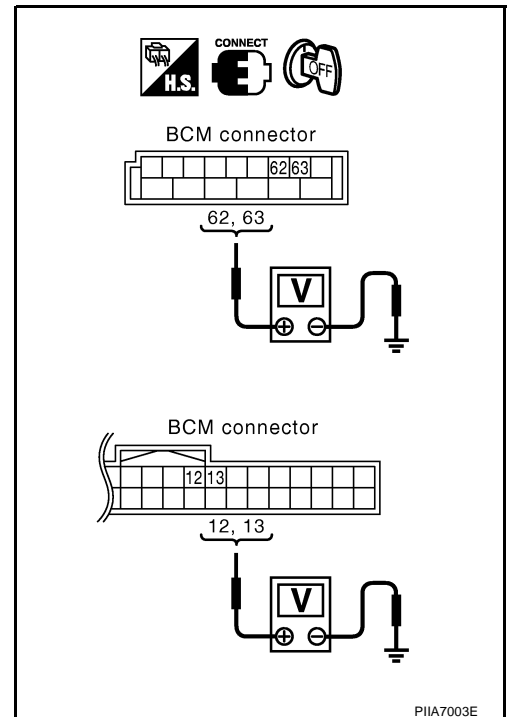
Check voltage between and ground.

Door switch	Con- nector	Terminals (wire color)		Condition	Voltage [V] (Approx.)
		(+)	(-)		
Driver side	M36	62 (SB)	Ground	Door close ↓ Door open	Battery voltage ↓ 0
Rear LH		63 (R/W)			
Passenger side	M34	12 (R or R/G)			
Rear RH		13 (R/Y or R/W)			

OK or NG

OK >> Door switch circuit is OK, and go to [BL-230, "1 – 2 BACK DOOR SWITCH CHECK"](#).

NG >> GO TO 2.



VEHICLE SECURITY (THEFT WARNING) SYSTEM

2. CHECK DOOR SWITCH

1. Turn ignition switch OFF.
2. Disconnect door switch and unified BCM connectors.
3. Check continuity between BCM and door switch.

Door switch	Connector	Terminal (wire color)	Connector	Terminal (wire color)	Continuity
Driver side	M36	62 (SB)	D10	4 (SB)	Yes
Rear LH		63 (R/W)	D56	4 (V)	
Passenger side	M34	12 (R or R/G)	D38	4 (R/G)	
Rear RH		13 (R/Y or R/W)	D76	4 (R/W)	

4. Check continuity between BCM.

Door switch	Connector	Terminal (wire color)	Continuity
Driver side	M36	62 (SB)	No
Rear LH		63 (R/W)	
Passenger side	M34	12 (R or R/G)	
Rear RH		13 (R/Y or R/W)	

OK or NG

- OK >> GO TO 3.
 NG >> Repair or replace harness.

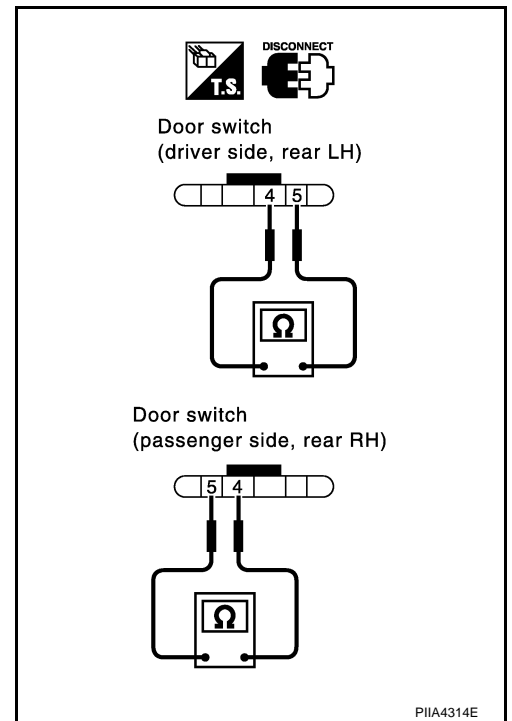
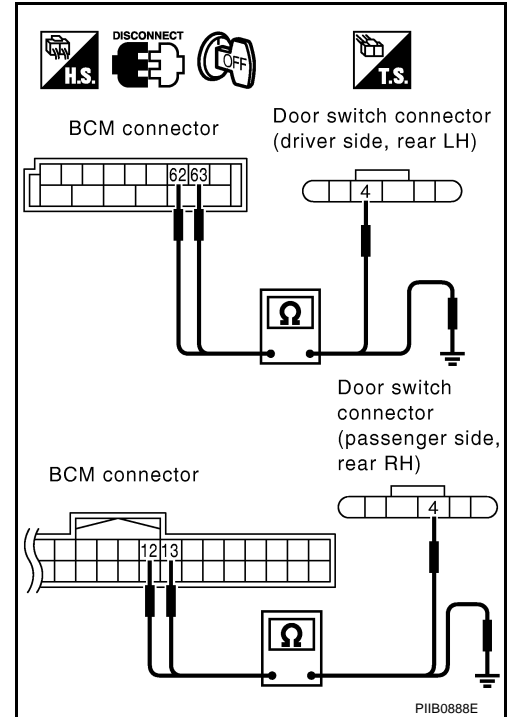
3. CHECK DOOR SWITCH

Check continuity between door switch connectors D10, D38, D56, D76 terminals 4 and 5.

Terminal	Door switch condition	Continuity
4	Open position	Yes
	Closed position	No

OK or NG

- OK >> GO TO 4.
 NG >> Replace door switch.



VEHICLE SECURITY (THEFT WARNING) SYSTEM

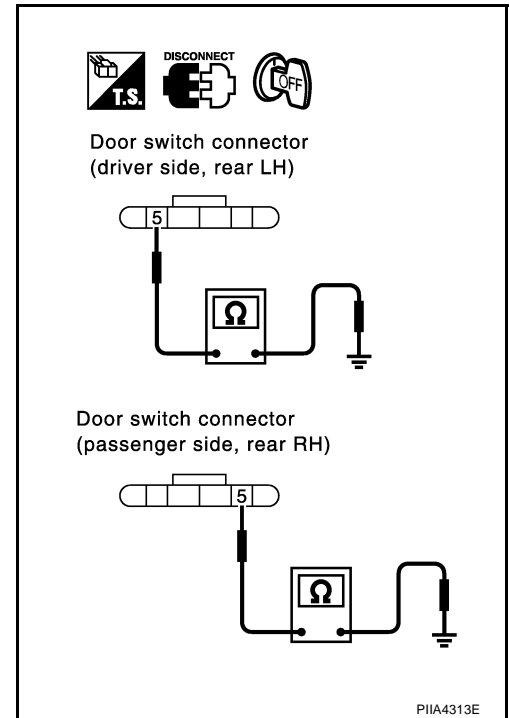
4. CHECK DOOR SWITCH GROUND HARNESS

Check continuity between door switch connectors D10, D38, D56, D76 terminal 5 and ground.

Door switch	Connector	Terminal		Continuity
Driver side	D10	5 (B)	Ground	Yes
Passenger side	D38			
Rear RH	D76			
Rear LH	D56	5 (G/Y)		

OK or NG

- OK >> Door switch circuit is OK.
- NG >> Repair or replace harness.



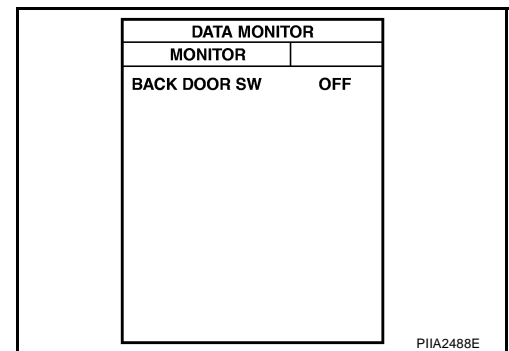
1 – 2 BACK DOOR SWITCH CHECK

1. CHECK BACK DOOR SWITCH INPUT SIGNAL

With CONSULT-II

Check back door switch (“BACK DOOR SW”) in “DATA MONITOR” mode with CONSULT-II.

- When back door is open
BACK DOOR SW : ON
- When back door is closed
BACK DOOR SW : OFF



Without CONSULT-II

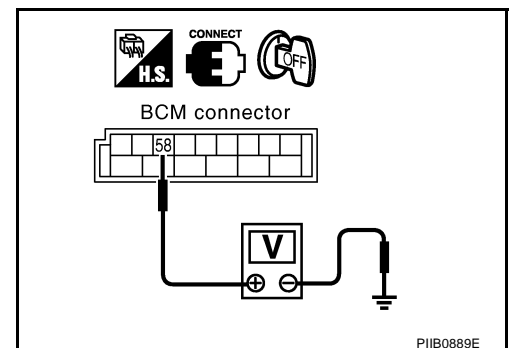
Check voltage between BCM connector and ground.

Item	Con- nector	Terminals (Wire color)		Condition	Voltage [V] (Approx.)
		(+)	(-)		
Back door switch	M34	58 (V/W)	Ground	OPEN	0
				CLOSE	Battery voltage*

*. When interior lamp battery saver control is OFF: Approx. 5V.

OK or NG

- OK >> Back door switch circuit is OK.
- NG >> GO TO 2.



VEHICLE SECURITY (THEFT WARNING) SYSTEM

2. CHECK BACK DOOR SWITCH HARNESS

1. Turn ignition switch OFF.
2. Disconnect BCM and back door lock assembly connectors.
3. Check continuity between BCM connector M36 terminal 58 and back door lock assembly connector D111 terminal 3.

58 (V/W) – 3 (V/W) : Continuity should exist.

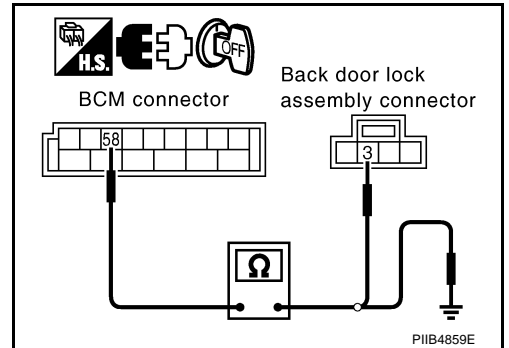
4. Check continuity between BCM connector M36 terminal 58 and ground.

58 (V/W) – Ground : Continuity should not exist.

OK or NG

OK >> GO TO 3.

NG >> Check the diode. If the diode is OK, repair or replace harness.



3. CHECK BACK DOOR SWITCH

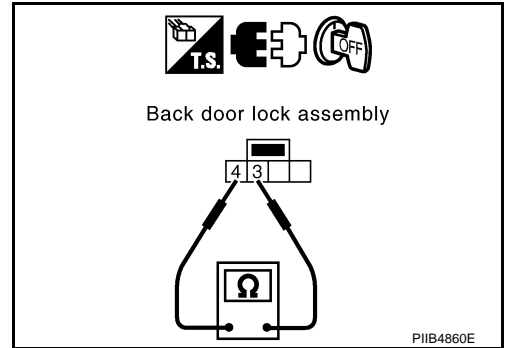
Check continuity between back door lock assembly terminals 3 and 4.

Terminal		Back door condition	Continuity
3	4	Open position	Yes
		Closed position	No

OK or NG

OK >> GO TO 4.

NG >> Replace back door lock assembly.



4. CHECK BACK DOOR SWITCH GROUND HARNESS

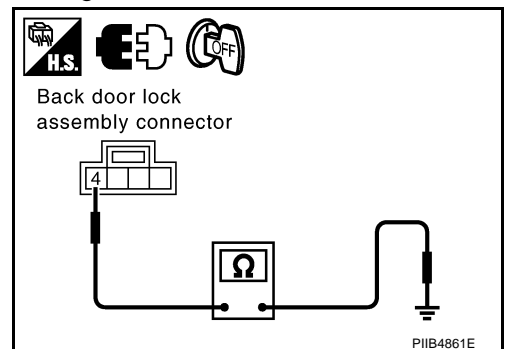
Check continuity between back door switch connector D111 terminal 4 and ground.

4 (B) - Ground : Continuity should exist.

OK or NG

OK >> Back door switch circuit is OK.

NG >> Repair or replace harness.



VEHICLE SECURITY (THEFT WARNING) SYSTEM

Diagnostic Procedure 2 SECURITY INDICATOR LAMP CHECK

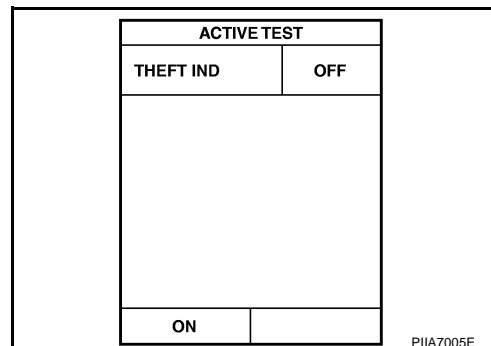
AIS001W0

1. SECURITY INDICATOR LAMP ACTIVE TEST

④ With CONSULT-II

Check "THEFT IND" in "ACTIVE TEST" mode with CONSULT-II.

Perform operation shown on display indicator lamp should illuminate.



⊗ Without CONSULT-II

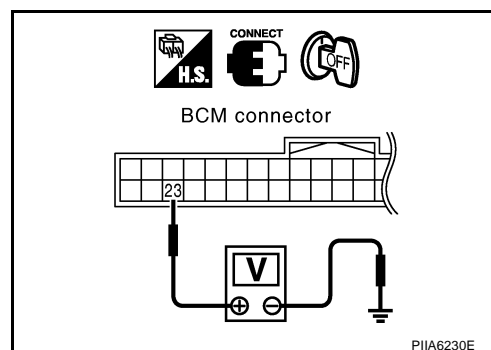
Check voltage between BCM harness connector M34 terminal 23 and ground.

23 (G/O) – Ground : Battery voltage

OK or NG

OK >> Security indicator lamp is OK.

NG >> GO TO 2.



2. CHECK POWER SUPPLY CIRCUIT FOR SECURITY INDICATOR LAMP

1. Disconnect combination meter (security indicator lamp) connector.
2. Check voltage between combination meter (security indicator lamp) connector M25 terminal 21 and ground.

21 (Y/R) – Ground : Battery voltage

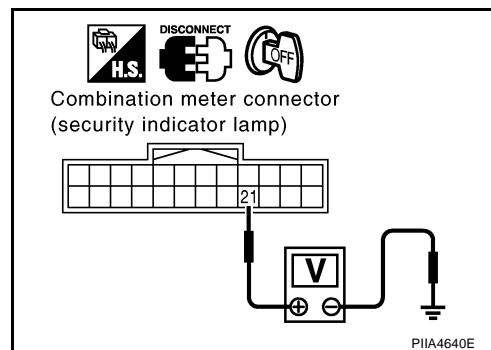
OK or NG

OK >> Check the following.

- Harness for open or short between combination meter (security indicator lamp) and BCM.
- Indicator lamp condition

NG >> Check the following.

- 10A fuse [No. 21, located in fuse block (J/B)]
- Harness for open or short between security indicator lamp and fuse



VEHICLE SECURITY (THEFT WARNING) SYSTEM

Diagnostic Procedure 3

AIS001W1

FRONT DOOR KEY CYLINDER SWITCH CHECK

A

1. CHECK FRONT DOOR KEY CYLINDER SWITCH DRIVER SIDE OPERATION

Do doors lock/unlock when using the key?

B

OK or NG

OK >> Front door key cylinder switch operation is OK.

NG >> Check door key cylinder switch circuit. Refer to [BL-55, "Check Door Key Cylinder Switch / Without Intelligent Key System"](#) or [BL-56, "Check Door Key Cylinder Switch / With Intelligent Key System"](#) .

C

Diagnostic Procedure 4

AIS001W2

VEHICLE SECURITY HORN ALARM CHECK

D

First perform the "SELF-DIAG RESULTS" in "BCM" with CONSULT-II, when perform the each trouble diagnosis. Refer to [BCS-15, "CAN Communication Inspection Using CONSULT-II \(Self-Diagnosis\)"](#) .

E

1. CHECK HORN OPERATION

Check if horn sounds with horn switch.

F

Does horn operate?

Yes >> Check harness for open or short between IPDM E/R and horn relay.

No >> Check horn circuit. Refer to [WW-57, "HORN"](#) .

G

Diagnostic Procedure 5

AIS001W3

VEHICLE SECURITY HEADLAMP ALARM CHECK

H

1. CHECK HEADLAMP OPERATION

Does headlamp come on when turning lighting switch "ON"?

BL

YES or NO

YES >> Headlamp alarm circuit is OK.

NO >> Check headlamp system. Refer to [LT-6, "HEADLAMP - XENON TYPE -"](#) or [LT-39, "HEADLAMP - CONVENTIONAL TYPE -"](#) .

J

Diagnostic Procedure 6

AIS001W4

DOOR LOCK AND UNLOCK SWITCH CHECK

K

1. CHECK DOOR LOCK AND UNLOCK SWITCH INPUT SIGNAL

Do doors lock/unlock when using power window main switch (door lock and unlock switch) or power window switch (passenger side) (door lock and unlock switch)?

L

YES or NO?

YES >> Door lock and unlock switch is OK.

NO >> Refer to [BL-51, "Check Door Lock and Unlock Switch"](#) .

M

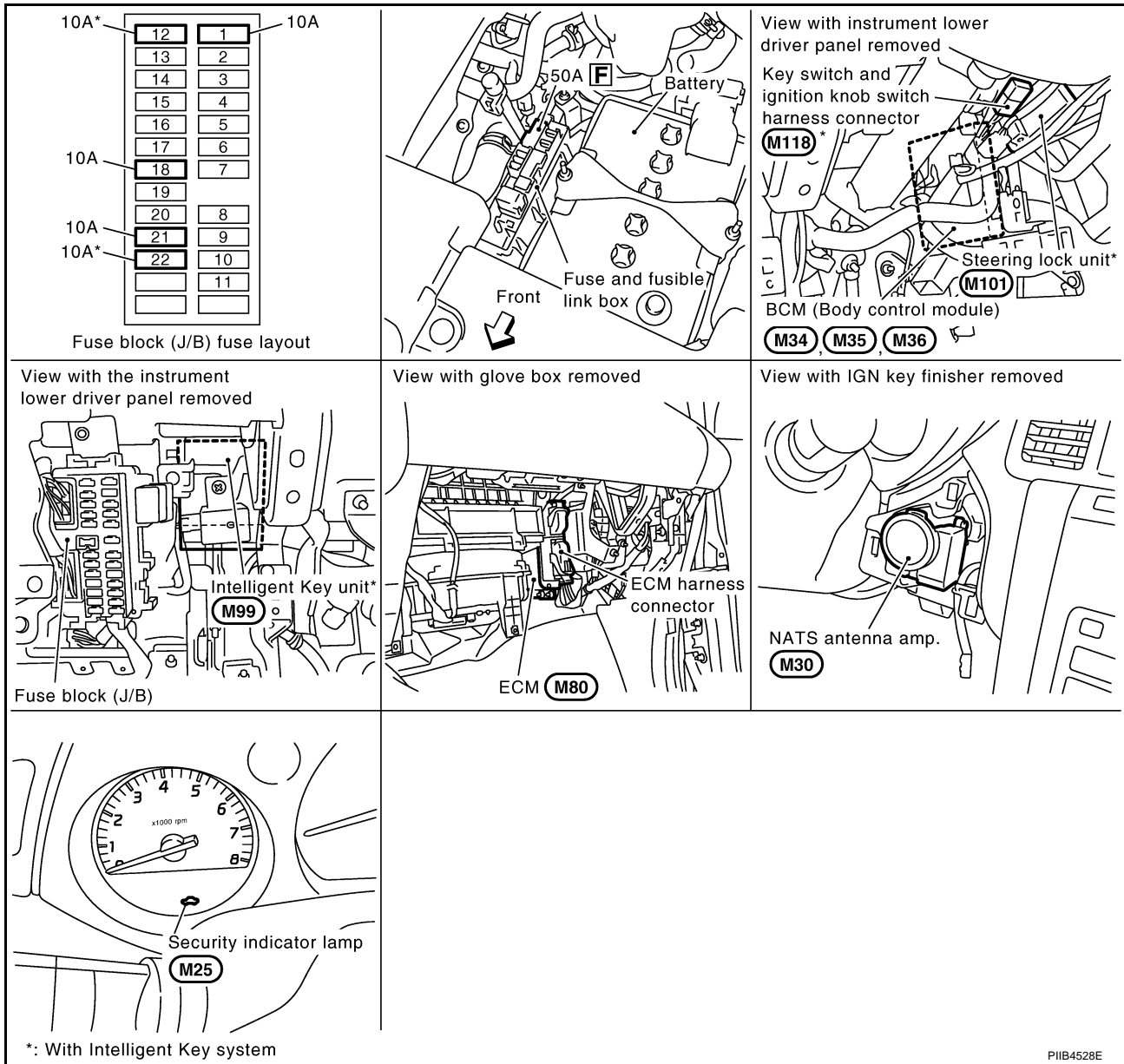
NVIS (NISSAN VEHICLE IMMOBILIZER SYSTEM-NATS)

NVIS (NISSAN VEHICLE IMMOBILIZER SYSTEM-NATS)

PFP:25386

Component Parts and Harness Connector Location

AIS006EV



NOTE:

If customer reports a "NO START" condition, request ALL KEYS to be brought to an NISSAN dealer in case of a NVIS (NATS) malfunction.

System Description

AIS002KR

NVIS (Nissan Vehicle Immobilizer System-NATS) has the following immobilizer functions:

DESCRIPTION

- Engine immobilizer shows high anti-theft performance to prevent engine start by other than the owner (registered key: ignition key, mechanical key and Intelligent Key).
- Only a key with key ID registered in BCM and ECM can start engine, and shows high anti-theft performance to prevent key from being copied or stolen.
- In the vehicle without Intelligent Key system, security indicator always flashes with other than ignition switch ON or START position.
- In the vehicle with Intelligent Key system, security indicator always flashes with mechanical key removed condition (key switch OFF) and ignition knob released condition on LOCK position (ignition knob switch OFF).

NVIS (NISSAN VEHICLE IMMOBILIZER SYSTEM-NATS)

- Therefore, NVIS (NATS) warns outsiders that the vehicle is equipped with the anti-theft system.
- If system detects malfunction, it turns on security indicator in ignition switch ON position.
- If the owner requires, ignition key ID or mechanical key ID can be registered for up to 5 keys.
- During trouble diagnosis or when the following parts have been replaced, and if ignition key or mechanical key is added, registration* is required.
 - *: All keys kept by the owner of the vehicle should be registered with ignition key or mechanical key.
- ECM
- BCM
- Ignition key (models without Intelligent Key system)
- Mechanical key (models with Intelligent Key system)
- NVIS (NATS) trouble diagnoses, system initialization and additional registration of other NVIS (NATS) ignition key or mechanical key IDs must be carried out using CONSULT-II hardware and CONSULT-II NVIS (NATS) software. When NVIS (NATS) initialization has been completed, the ID of the inserted ignition key or mechanical key or mechanical key IDs can be carried out.

Regarding the procedures of NVIS (NATS) initialization and ignition key or mechanical key ID registration, refer to CONSULT-II operation manual, NATS-IVIS/NVIS.

SECURITY INDICATOR

- Warns that the vehicle has NVIS (NATS).
- In the vehicle without Intelligent Key system, security indicator always flashes with other than ignition switch ON or START position. In the vehicle with Intelligent Key system, security indicator always flashes with mechanical key removed condition (key switch OFF) and ignition knob released condition on LOCK position (ignition knob switch OFF).

NOTE:

Because security indicator is highly efficient, the battery is barely affected.

Condition of Security Indicator

WITHOUT INTELLIGENT KEY SYSTEM

Security indicator condition	Ignition key	Operation or condition of ignition key			
		Ignition switch: ON position	Ignition switch: ACC position	Ignition switch: OFF position (Key is inserted.)	Ignition switch: OFF position (Remove key.)
	Register key	OFF	Flashing	Flashing	Flashing
	Ignition key not registered	ON	Flashing	Flashing	Flashing

WITH INTELLIGENT KEY SYSTEM

- In ignition knob operation with Intelligent Key, it always turns on with pushing ignition knob, and always flashes with ignition knob released (ignition knob switch OFF) condition on ignition knob "LOCK" position.
- In ignition knob operation with mechanical key, it turns off on the condition that mechanical key is inserted in key cylinder, and always flashes with ignition knob released (ignition knob switch OFF) condition on mechanical key removed condition.

NVIS (NISSAN VEHICLE IMMOBILIZER SYSTEM-NATS)

AIS002KS

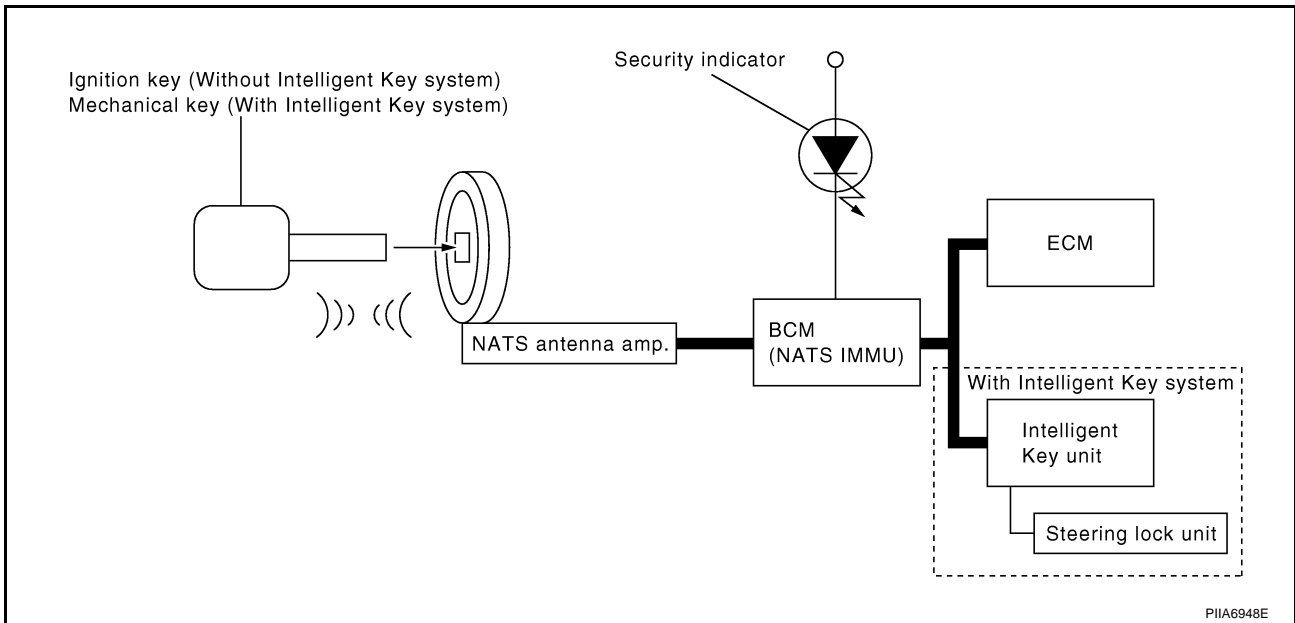
System Composition

The immobilizer function of the NVIS (NATS) consists of the following:

- NATS ignition key (without Intelligent Key system)
- Mechanical key (with Intelligent Key system)
- NATS antenna amp. located in the ignition key cylinder
- Body control module (BCM)
- Engine control module (ECM)
- Security indicator
- Steering lock unit (with Intelligent Key system)
- Intelligent Key unit (with Intelligent Key system)

NOTE:

The communication between ECM, BCM and/or Intelligent Key unit uses the CAN communication system.



ECM Re-communicating Function

AIS002KT

Performing following procedure can automatically perform re-communication of ECM and BCM or Intelligent Key unit, but only when the ECM has been replaced with a new one (*1).

*1: New one means a virgin ECM which has never been energized on-board.

(In this step, initialization procedure by CONSULT-II is not necessary)

NOTE:

- When registering new Key IDs or replacing the ECM other than brand new, refer to CONSULT-II Operation Manual NATS-IVIS/NVIS.

- If multiple keys are attached to the key holder, separate them before work.

- Distinguish keys with unregistered key ID from those with registered ID.

1. Install ECM.

2. Using a registered key (*2), turn ignition switch to "ON".

*2: To perform this step, use the key (except for card plate key) that has been used before performing ECM replacement.

3. Maintain ignition switch in "ON" position for at least 5 seconds.

4. Turn ignition switch to "OFF".

5. Start engine.

If engine can be started, procedure is completed.

If engine cannot be started, refer to CONSULT-II Operation Manual NATS-IVIS/NVIS and initialize control unit.

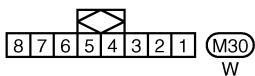
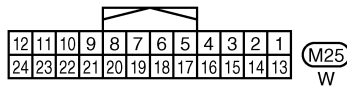
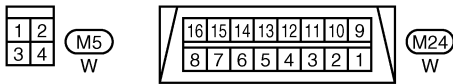
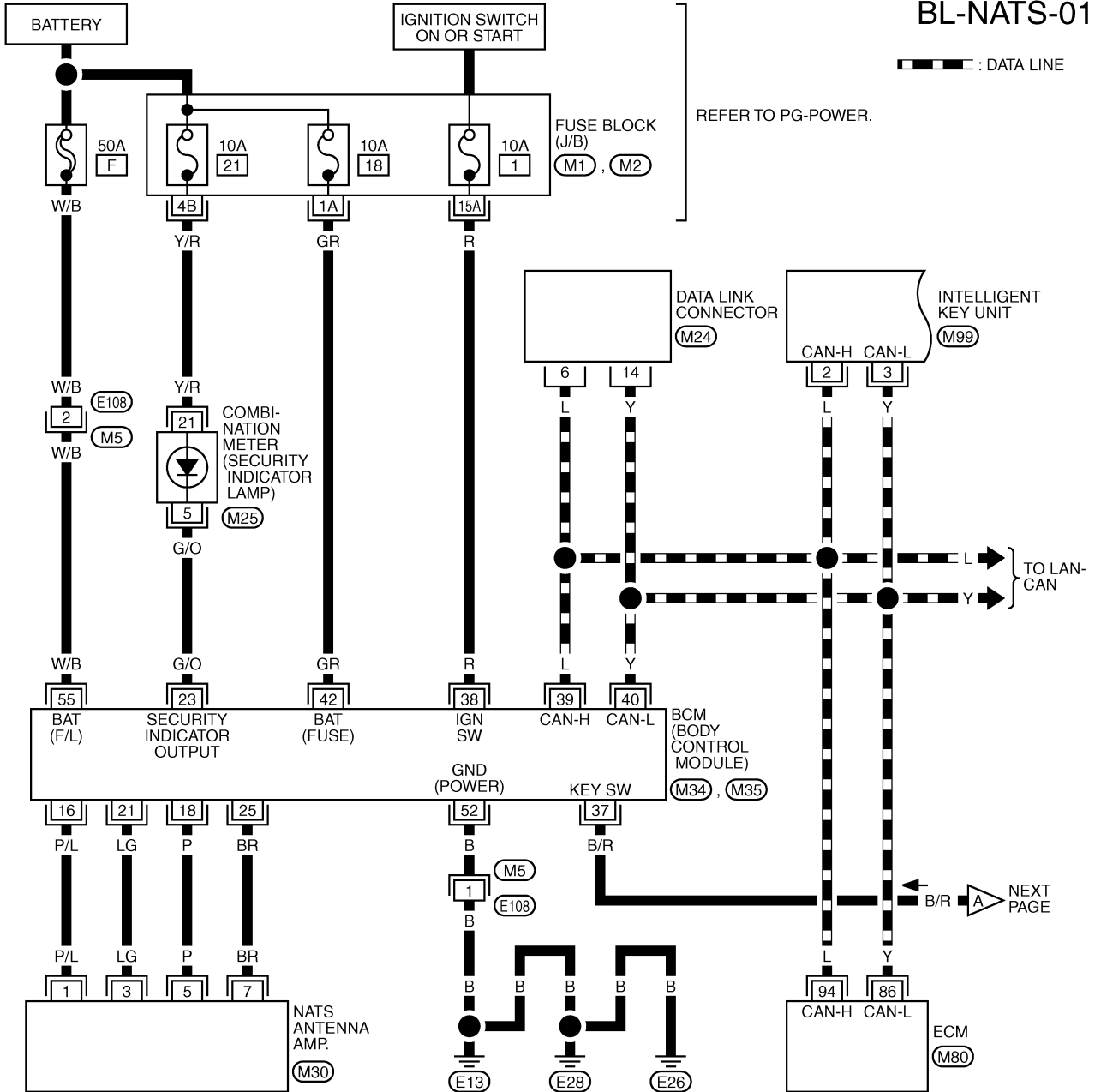
NVIS (NISSAN VEHICLE IMMOBILIZER SYSTEM-NATS)

Wiring Diagram — NATS —/With Intelligent Key System

AI5002KU

BL-NATS-01

▬ : DATA LINE

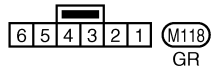
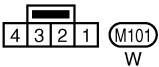
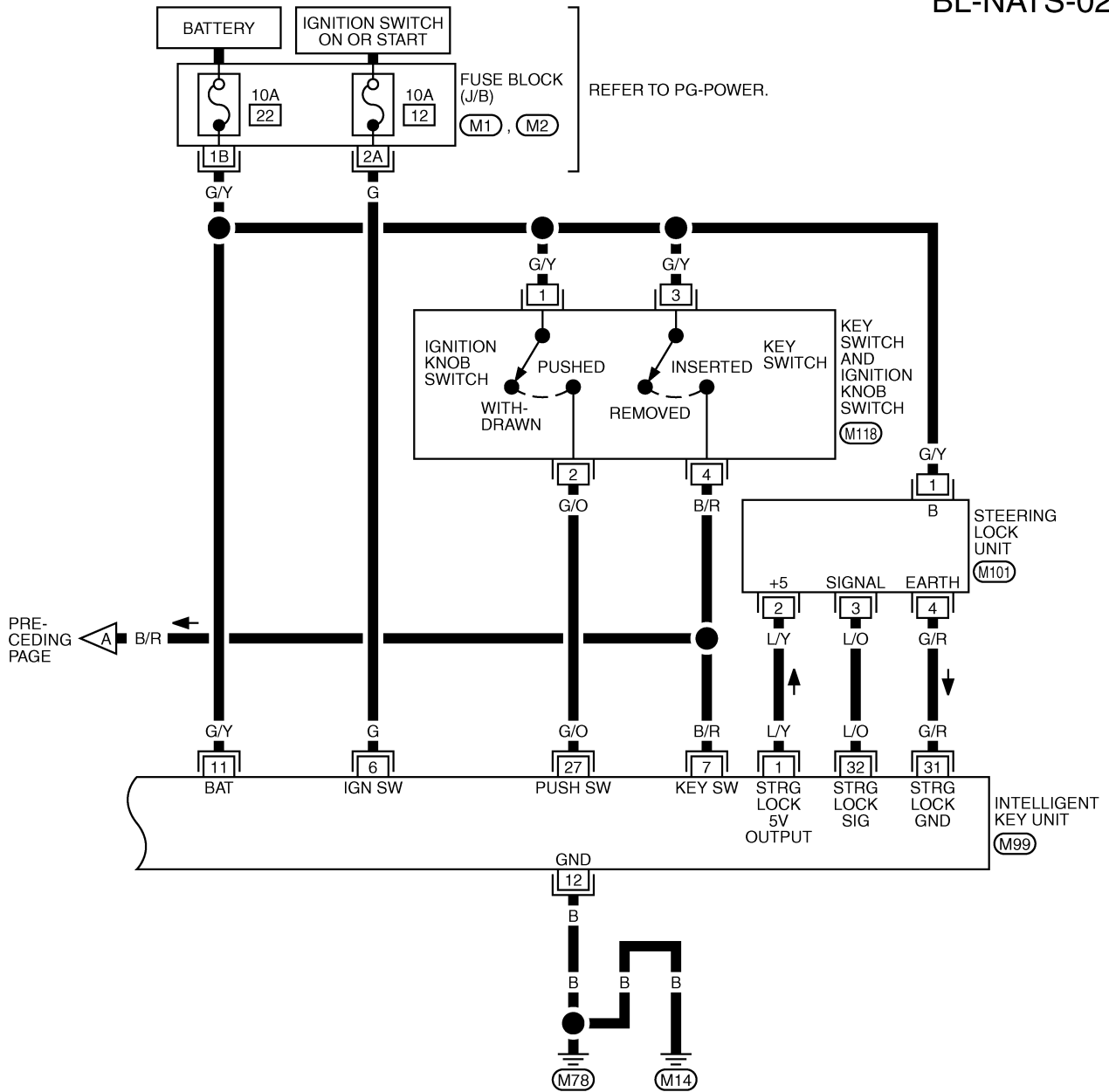


REFER TO THE FOLLOWING.
 (M1), (M2) - FUSE BLOCK-JUNCTION BOX (J/B)
 (M34), (M35), (M80), (M99) - ELECTRICAL UNITS

TIWB0171E

NVIS (NISSAN VEHICLE IMMOBILIZER SYSTEM-NATS)

BL-NATS-02



REFER TO THE FOLLOWING.

(M1), (M2) - FUSE BLOCK-JUNCTION BOX (J/B)

(M99) - ELECTRICAL UNITS

TIWB0338E

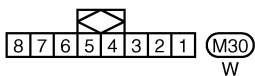
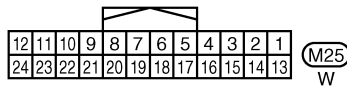
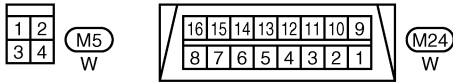
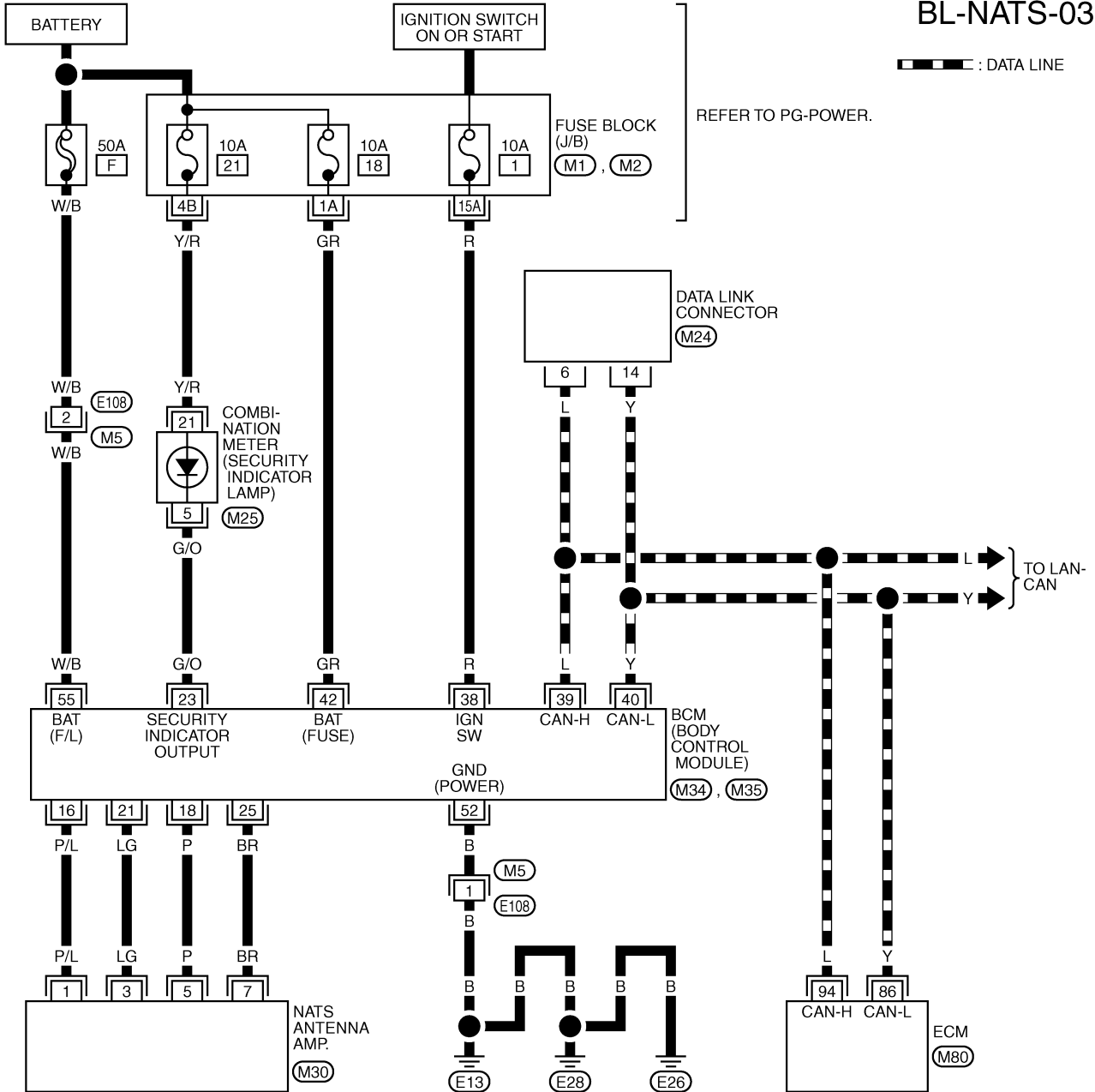
NVIS (NISSAN VEHICLE IMMOBILIZER SYSTEM-NATS)

Wiring Diagram — NATS —/Without Intelligent Key System

AIS006EP

BL-NATS-03

▬ : DATA LINE



REFER TO THE FOLLOWING.

(M1), (M2) - FUSE BLOCK-JUNCTION BOX (J/B)

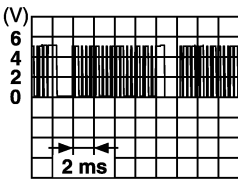
(M34), (M35), (M80), (M99) - ELECTRICAL UNITS

TIWB0339E

NVIS (NISSAN VEHICLE IMMOBILIZER SYSTEM-NATS)

Terminals and Reference Value for Steering Lock Unit/With Intelligent Key System

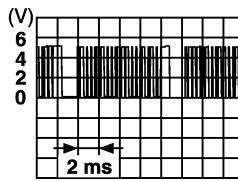
AIS006EQ

Terminal No.	Wire color	Signal Designation	Measuring condition		Voltage (V) (Approx.)
			Ignition knob position	Operation or conditions	
1	G/Y	Power source (Fuse)	—	—	Battery voltage
2	L/Y	Steering lock unit power supply	LOCK	—	5
3	L/O	Steering lock unit communication signal	LOCK	Press ignition knob with Intelligent Key inside vehicle.	
				Other than the above	
4	G/R	Steering lock unit ground	—	—	0

SIIA1911J

Terminals and Reference Value for Intelligent Key Unit/With Intelligent Key System

AIS006ER

Terminal No.	Wire color	Signal designation	Measuring condition		Voltage (V) (Approx.)
			Ignition knob position	Operation or conditions	
1	L/Y	Steering lock unit power supply	LOCK	—	5
2	L	CAN-H	—	—	—
3	P	CAN-L	—	—	—
6	G	Ignition power supply (ON)	ON	Ignition knob ON or START position	Battery voltage
7	B/R	Key switch	LOCK	Insert mechanical key into ignition key cylinder.	Battery voltage
				Remove mechanical key from ignition key cylinder.	0
11	G/Y	Power source (Fuse)	—	—	Battery voltage
12	B	Ground	—	—	0
27	G/O	Ignition knob switch	—	Press ignition knob.	Battery voltage
				Return ignition knob to LOCK position.	0
31	G/R	Steering lock unit ground	—	—	0
32	L/O	Steering lock unit communication signal	LOCK	Press ignition knob with Intelligent Key inside vehicle.	
				Other than the above	

SIIA1911J

NVIS (NISSAN VEHICLE IMMOBILIZER SYSTEM-NATS)

Terminals and Reference Value for BCM

AIS002KV

TERMINAL	WIRE COLOR	ITEM	CONDITION	VOLTAGE [V] (Approx.)
16	P/L	NATS antenna amp.	Ignition switch: OFF → ON	0 → 5 (for 3 seconds)
18	P	NATS antenna amp.	—	0
21	LG	NATS antenna amp.	Ignition switch (OFF → ON)	Just after turning ignition switch "ON": Pointer of tester should move.
23	G/O	Security indicator lamp	Goes OFF → illuminates (Every 2.4 seconds)	Battery voltage → 0
25	BR	NATS antenna amp.	Ignition switch (OFF → ON)	Just after turning ignition switch "ON": Pointer of tester should move.
37*	B/P	Key switch	Insert mechanical key into ignition key cylinder.	Battery voltage
			Remove mechanical key from ignition key cylinder.	0
38	R	Ignition switch (ON)	Ignition switch is in ON position	Battery voltage
39	L	CAN-H	—	—
40	Y	CAN-L	—	—
42	GR	Power source (Fuse)	—	Battery voltage
52	B	Ground	—	0
55	W/B	Power source (Fusible link)	—	Battery voltage

*: With Intelligent Key system

CONSULT-II Function CONSULT-II INSPECTION PROCEDURE

AIS002KW

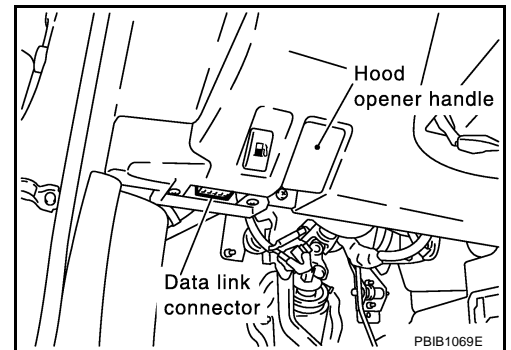
CAUTION:

If CONSULT-II is used with no connection of CONSULT-II CONVERTER, malfunctions might be detected in self-diagnosis depending on control unit which carry out CAN communication.

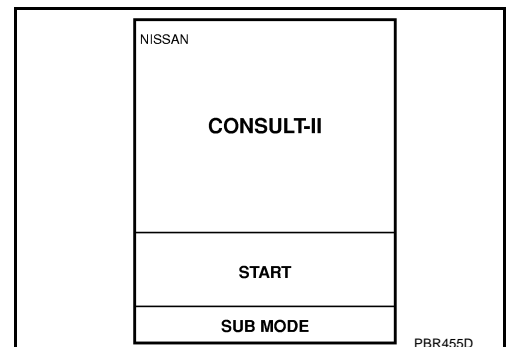
1. Turn ignition switch OFF.
2. Insert NVIS (NATS) program card into CONSULT-II.

Program card : NATS (AEN02C)

3. Connect CONSULT-II and CONSULT-II CONVERTER to data link connector.

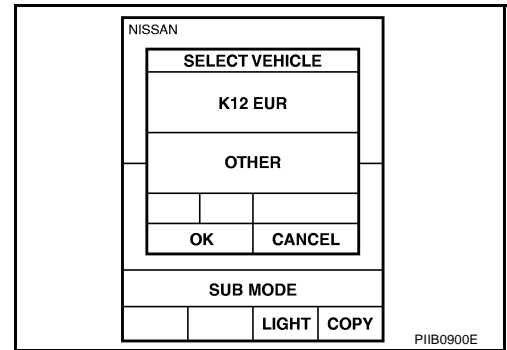


4. Turn ignition switch ON.
5. Touch "START".

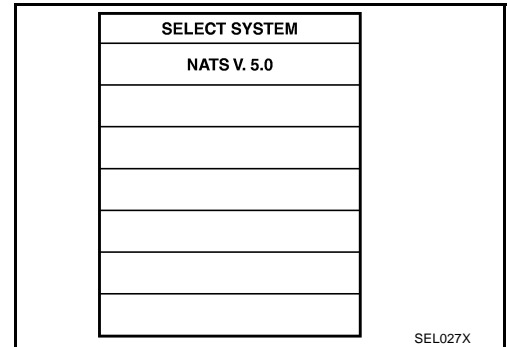


NVIS (NISSAN VEHICLE IMMOBILIZER SYSTEM-NATS)

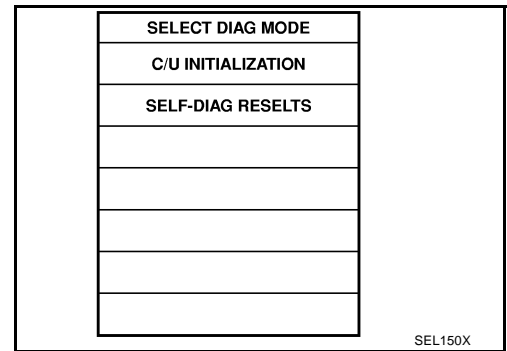
6. Touch "OTHRE".



7. Select "NATS V.5.0".
If "NATS V5.0" is not indicated, go to [GI-39, "CONSULT-II Data Link Connector \(DLC\) Circuit"](#) .



8. Perform each diagnostic test mode according to each service procedure.
For further information, see the CONSULT-II Operation Manual NATS-IVIS/NVIS.



CONSULT-II DIAGNOSTIC TEST MODE FUNCTION

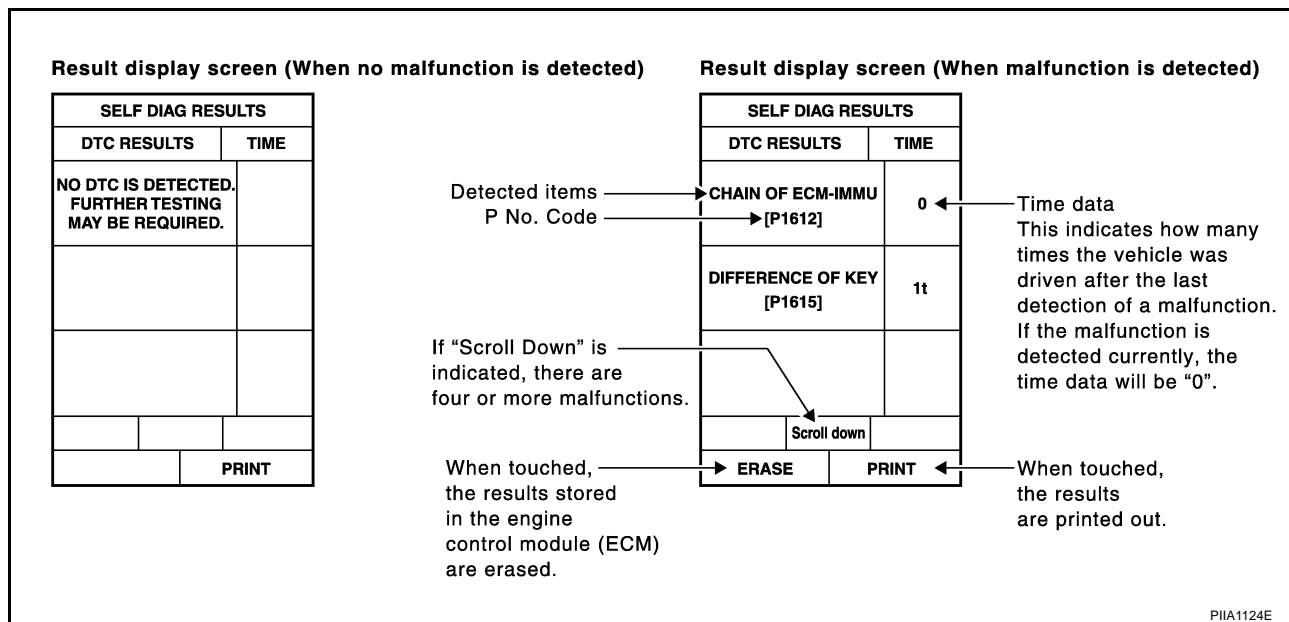
CONSULT-II DIAGNOSTIC TEST MODE	Description
C/U INITIALIZATION	When replacing any of the following components, C/U initialization and re-registration of all NATS ignition keys are necessary. [(NATS ignition key/ BCM/ ECM]
SELF-DIAG RESULTS	Detected items (screen terms) are as shown in the chart. Refer to BL-243, "NVIS (NATS) SELF-DIAGNOSTIC RESULTS ITEM CHART" .

NOTE:

- When any initialization is performed, all ID previously registered will be erased and all NATS ignition keys must be registered again.
- The engine cannot be started with an unregistered key. In this case, the system will show "DIFFERENCE OF KEY" or "LOCK MODE" as a self-diagnostic result on the CONSULT-II screen.
- In rare case, "CHAIN OF ECM-IMMU" might be stored as a self-diagnostic result during key registration procedure, even if the system is not malfunctioning.

NVIS (NISSAN VEHICLE IMMOBILIZER SYSTEM-NATS)

HOW TO READ SELF-DIAGNOSTIC RESULTS



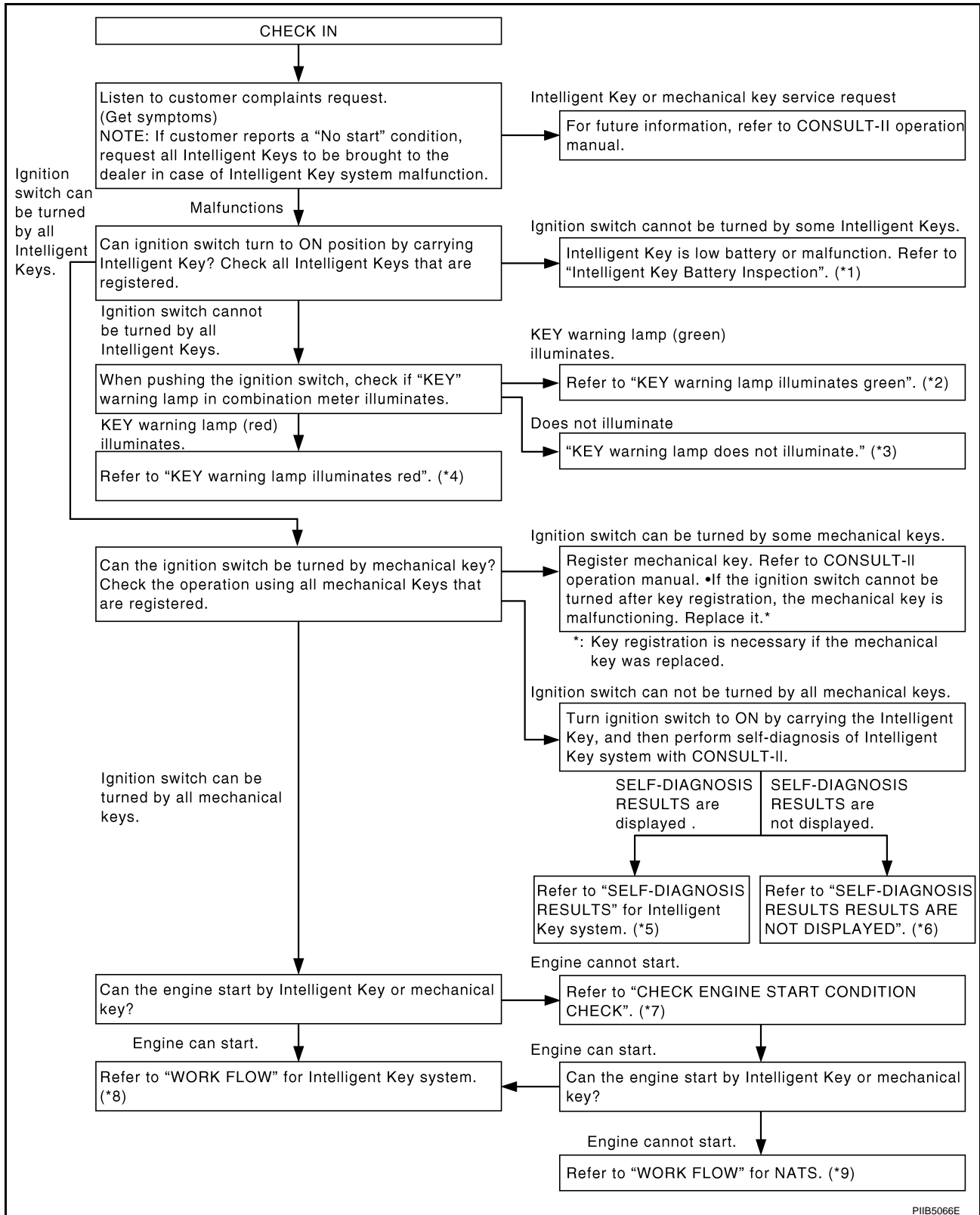
NVIS (NATS) SELF-DIAGNOSTIC RESULTS ITEM CHART

Detected items [NVIS (NATS) program card screen terms]	P No. Code (Self-diagnostic result of "ENGINE")	Malfunction is detected when....	Reference page
CHAIN OF ECM-IMMU [P1612]	NATS MAL-FUNCTION P1612	Communication impossible between ECM and BCM In rare case, "CHAIN OF ECM-IMMU" might be stored during key registration procedure, even if the system is not malfunctioning.	BL-248
DIFFERENCE OF KEY [P1615]	NATS MAL-FUNCTION P1615	BCM can receive the key ID signal but the result of ID verification between key ID and BCM is NG.	BL-250
CHAIN OF IMM-U-KEY [P1614]	NATS MAL-FUNCTION P1614	BCM cannot receive the key ID signal.	BL-251
ID DISCORD, IMM-ECM [P1611]	NATS MAL-FUNCTION P1611	The result of ID verification between BCM and ECM is NG. System initialization is required.	BL-253
LOCK MODE [P1610]	NATS MAL-FUNCTION P1610	When the starting operation is carried out five or more times consecutively under the following conditions, NVIS (NATS) will shift the mode to one which prevents the engine from being started. <ul style="list-style-type: none"> ● Unregistered ignition key is used. ● BCM or ECM's malfunctioning. 	BL-255
DON'T ERASE BEFORE CHECKING ENG DIAG	—	All engine trouble codes except NVIS (NATS) trouble code has been detected in ECM.	BL-246

NVIS (NISSAN VEHICLE IMMOBILIZER SYSTEM-NATS)

Trouble Diagnosis Procedure/With Intelligent Key System PRELIMINALY CHECK

AI5006ES



PIIB5066E

*1: [BL-169](#)

*4: [BL-128](#)

*7: [BL-129](#)

*2: [BL-128](#)

*5: [BL-125](#)

*8: [BL-123](#)

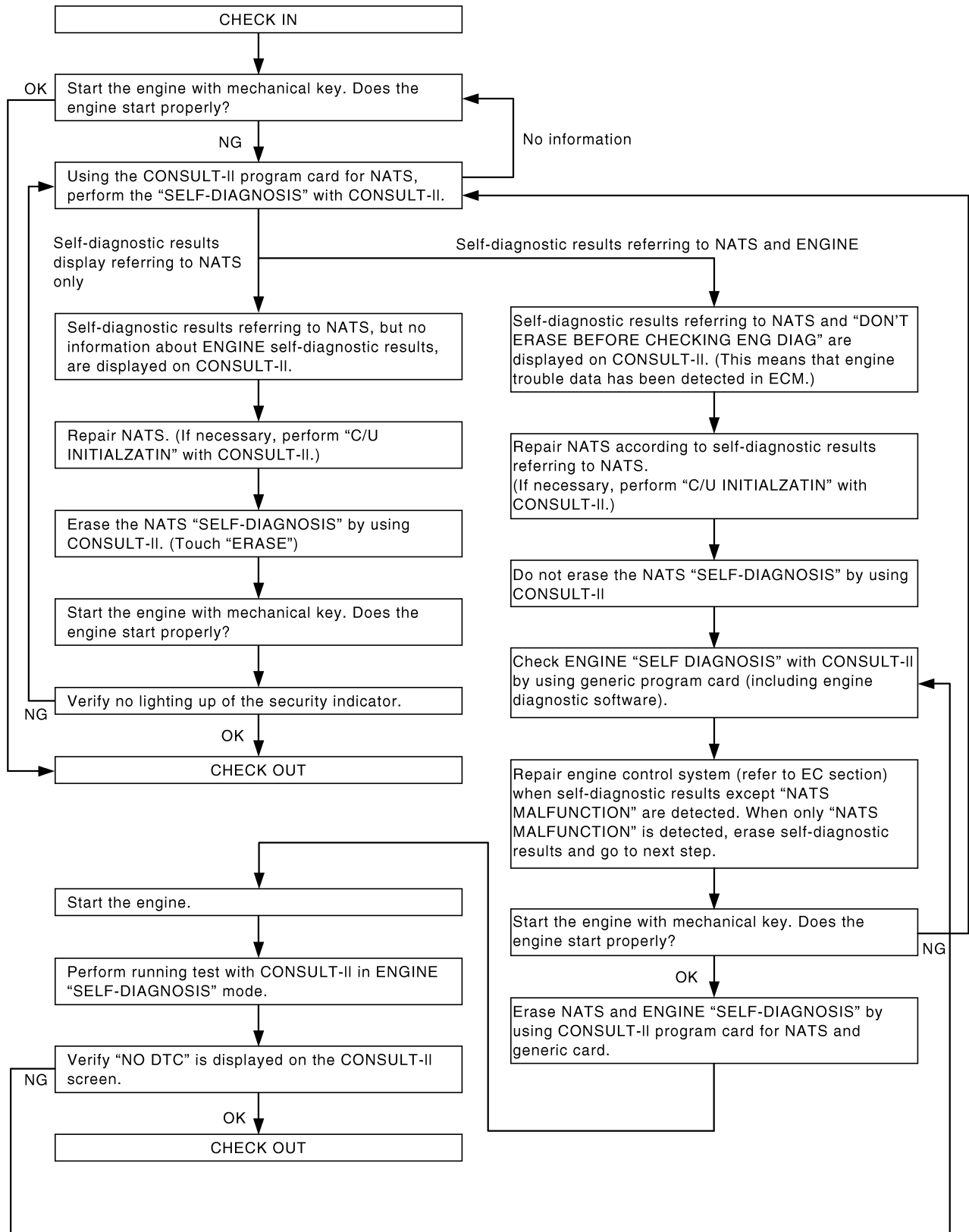
*3: [BL-129](#)

*6: [BL-129](#)

*9: [BL-245](#)

NVIS (NISSAN VEHICLE IMMOBILIZER SYSTEM-NATS)

WORK FLOW



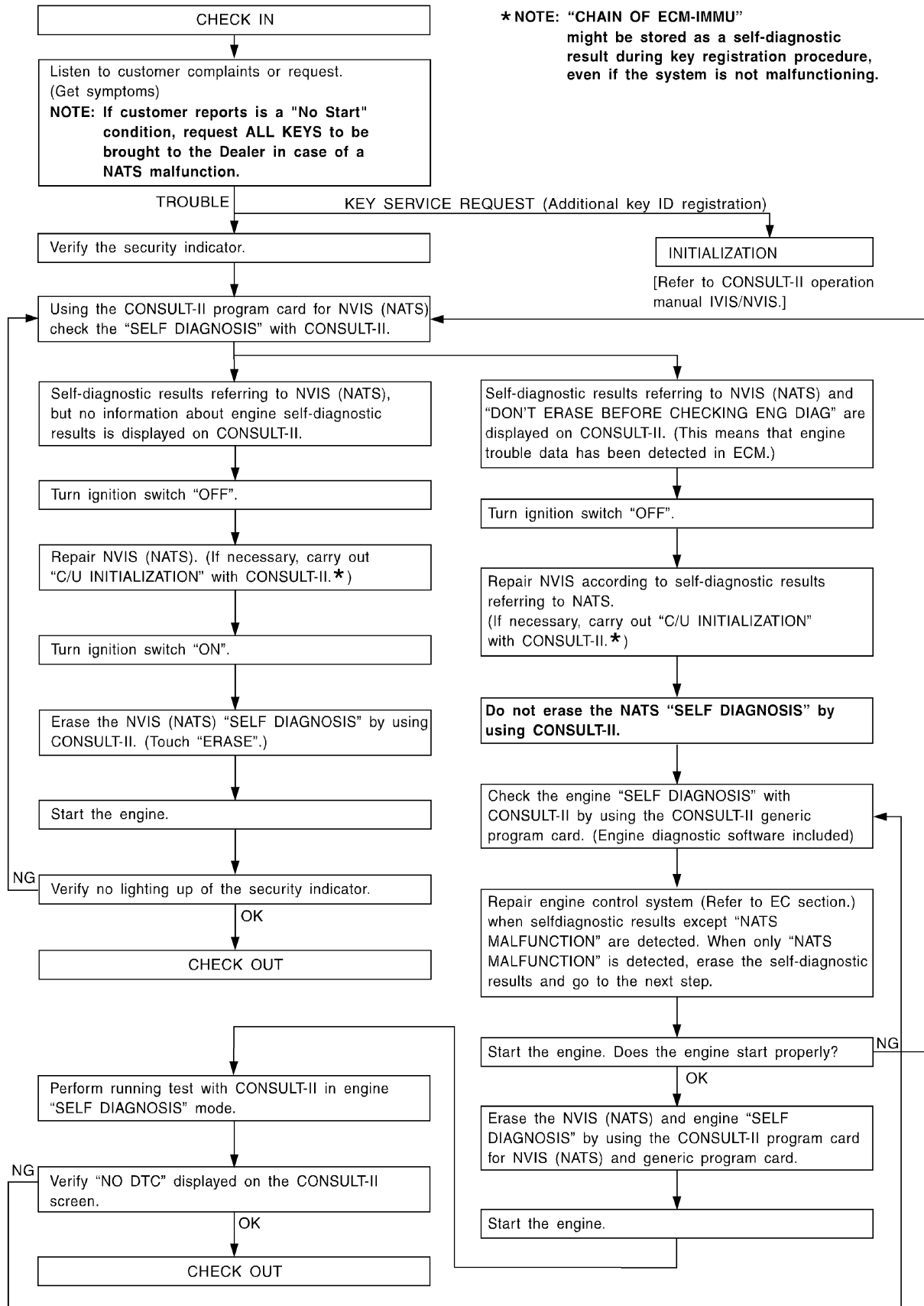
A
B
C
D
E
F
G
H
BL
J
K
L
M

PIIB5064E

NVIS (NISSAN VEHICLE IMMOBILIZER SYSTEM-NATS)

Trouble Diagnosis Procedure/Without Intelligent Key System WORK FLOW

AIS002KX



SEL004XA

NVIS (NISSAN VEHICLE IMMOBILIZER SYSTEM-NATS)

Trouble Diagnoses Symptom Chart SELF-DIAGNOSIS RELATED ITEM

AIS002KY

SYMPTOM	Displayed "SELF-DIAG RESULTS" on CONSULT-II screen	DIAGNOSTIC PROCEDURE (Reference page)	SYSTEM (Malfunctioning part or mode)
<ul style="list-style-type: none"> ● Security indicator lighting up* ● Engine cannot be started 	CHAIN OF ECM-IMMU [P1612]	PROCEDURE 1 (BL-248)	In rare case, "CHAIN OF ECM-IMMU" might be stored during key registration procedure, even if the system is not malfunctioning.
			Open circuit in battery voltage line of BCM circuit
			Open circuit in ignition line of BCM circuit
			Open circuit in ground line of BCM circuit
			Open or short circuit between BCM and ECM communication line
			ECM
			BCM
	DIFFERENCE OF KEY [P1615]	PROCEDURE 2 (BL-250)	Unregistered key
			BCM
	CHAIN OF IMMU-KEY [P1614]	PROCEDURE 3 (BL-251)	Malfunction of key ID chip
			Communication line between ANT/AMP and BCM: Open circuit or short circuit of battery voltage line or ground line
			Open circuit in power source line of ANT/AMP circuit
			Open circuit in ground line of ANT/AMP circuit
			NATS antenna amp. BCM
	ID DISCORD, IMM-ECM [P1611]	PROCEDURE 4 (BL-253)	System initialization has not yet been completed.
ECM			
LOCK MODE [P1610]	PROCEDURE 6 (BL-255)	LOCK MODE When the starting operation is carried out five or more times consecutively under the following conditions, NVIS (NATS) will shift the mode to one which prevents the engine from being started. <ul style="list-style-type: none"> ● Unregistered ignition key is used. ● BCM or ECM's malfunctioning. 	
Security indicator lighting up*	DON'T ERASE BEFORE CHECKING ENG DIAG	WORK FLOW (BL-246)	Engine trouble data and NVIS (NATS) trouble data have been detected in ECM

*: When NVIS (NATS) detects incident, the security indicator lights up while ignition key is in the "ON" position.

Security Indicator Inspection NON SELF-DIAGNOSIS RELATED ITEM

AIS006EU

SYMPTOM	DIAGNOSTIC PROCEDURE (Reference page)	SYSTEM (Malfunctioning part or mode)
Security indicator does not light up*.	PROCEDURE 5 (BL-254)	Combination meter (security indicator lamp)
		Open circuit between Fuse and BCM
		BCM

*: CONSULT-II self-diagnostic results display screen "no malfunction is detected".

NVIS (NISSAN VEHICLE IMMOBILIZER SYSTEM-NATS)

AI5002KZ

Diagnostic Procedure 1

Self-diagnostic results:

“CHAIN OF ECM-IMMU” displayed on CONSULT-II screen

First perform the “SELF-DIAG RESULTS” in “BCM” with CONSULT-II, then perform the trouble diagnosis of malfunction system indicated “SELF-DIAG RESULTS” of “BCM”. Refer to [BCS-15, "CAN Communication Inspection Using CONSULT-II \(Self-Diagnosis\)"](#) .

1. CONFIRM SELF-DIAGNOSTIC RESULTS

Confirm SELF-DIAGNOSTIC RESULTS “CHAIN OF ECM-IMMU” displayed on CONSULT-II screen.

NOTE:

In rare case, “CHAIN OF ECM-IMMU” might be stored during key registration procedure, even if the system is not malfunctioning.

Is CONSULT-II screen displayed as shown in figure?

Yes >> GO TO 2.

No >> GO TO [BL-247, "SELF-DIAGNOSIS RELATED ITEM"](#) .

SELF DIAGNOSIS	
DTC RESULTS	TIME
CHAIN OF ECM-IMMU [P1612]	0

PIIA1260E

2. CHECK POWER SUPPLY CIRCUIT FOR BCM

1. Turn ignition switch OFF.
2. Disconnect BCM connector.
3. Check voltage between BCM and ground with CONSULT-II or tester.

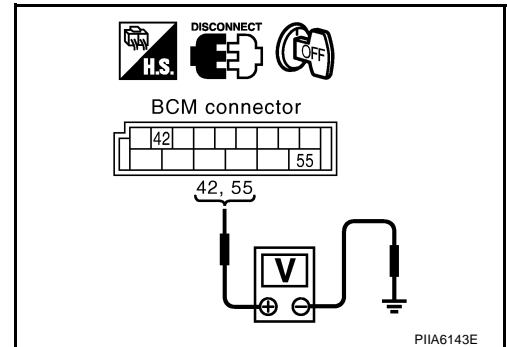
Connector	Terminals (Wire color)		Voltage [V] (Approx.)
	(+)	(-)	
M2	42 (GY)	Ground	Battery voltage
	55 (W/R)		

OK or NG

OK >> GO TO 3.

NG >> Check the following

- 50A fusible link (letter **F** , located in fuse and fusible link box)
 - 10A fuse [No.18, located in fuse block (J/B)]
 - Harness for open or short between fusible link and BCM
 - Harness for open or short between fuse and BCM
- Ref. Part No. C1**



3. CHECK IGNITION SWITCH ON SIGNAL

1. Turn ignition switch ON.
2. Check voltage between BCM connector M34 terminal 38 (R) and ground with CONSULT-II or tester.

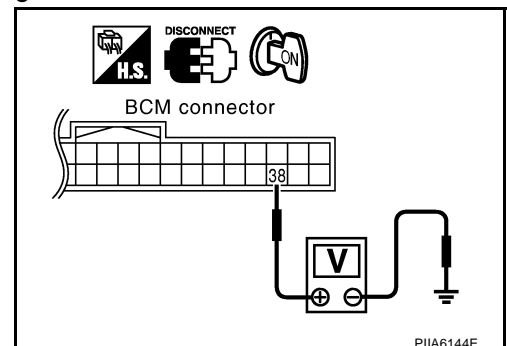
38 (R) – Ground : Battery voltage

OK or NG

OK >> GO TO 4.

NG >> Check the following.

- 10A fuse [No. 1, located in the fuse block (J/B)]
- Harness for open or short between fuse and BCM



NVIS (NISSAN VEHICLE IMMOBILIZER SYSTEM-NATS)

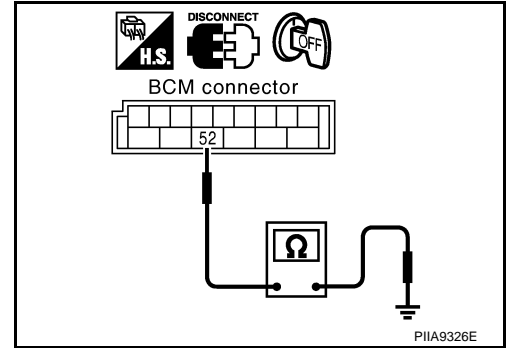
4. CHECK GROUND CIRCUIT FOR BCM

1. Turn ignition OFF.
2. Check continuity between BCM connector terminal 52 (B) and ground.

52 (B) – Ground : Continuity should exist.

OK or NG

- OK >> GO TO 5.
NG >> Repair harness or replace.



5. REPLACE BCM

1. Replace BCM.
2. Perform initialization with CONSULT-II.
For initialization, refer to "CONSULT-II Operation Manual NATS-IVIS/NVIS".

Does the engine start?

- Yes >> BCM is malfunctioning.
- Replace BCM.
 - Perform initialization with CONSULT-II.
 - For initialization, refer to "CONSULT-II Operation Manual NATS-IVIS/NVIS".
- No >> ECM is malfunctioning.
- Replace ECM.
 - Perform initialization or re-communicating function.
 - For initialization, refer to "CONSULT-II Operation Manual NATS-IVIS/NVIS".
 - For re-communicating function, refer to [BL-236. "ECM Re-communicating Function"](#).

NVIS (NISSAN VEHICLE IMMOBILIZER SYSTEM-NATS)

AIS002L0

Diagnostic Procedure 2

Self-diagnostic results:

“DIFFERENCE OF KEY” displayed on CONSULT-II screen

1. CONFIRM SELF-DIAGNOSTIC RESULTS

Confirm SELF-DIAGNOSTIC RESULTS “DIFFERENCE OF KEY” displayed on CONSULT-II screen.

Is CONSULT-II screen displayed as shown in figure?

Yes >> GO TO 2.

No >> GO TO [BL-247, "SELF-DIAGNOSIS RELATED ITEM"](#).

SELF DIAG RESULTS	
DTC RESULTS	TIME
DIFFERENCE OF KEY [P1615]	0

PIIA1261E

2. PERFORM INITIALIZATION WITH CONSULT-II

Perform initialization with CONSULT-II. Re-register all NATS ignition key IDs.

For initialization and registration of NATS ignition key IDs, refer to “CONSULT-II Operation Manual NATS-IVIS/NVIS”.

NOTE:

If the initialization is not completed or malfunctions, CONSULT-II shows message on the screen.

Can the system be initialized and can the engine be started with re-registered NATS ignition key?

Yes >> Ignition key ID was unregistered.

No >> BCM is malfunctioning.

- Replace BCM.
- Perform initialization with CONSULT-II.
- For initialization, refer to “CONSULT-II Operation Manual NATS-IVIS/NVIS”.

IMMU INITIALIZATION
INITIALIZATION FAIL
THEN IGN KEY SW 'OFF' AND 'ON', AFTER CONFIRMING SELF-DIAG AND PASSWORD, PERFORM C/U INITIALIZATION AGAIN.

SEL297W

NVIS (NISSAN VEHICLE IMMOBILIZER SYSTEM-NATS)

AIS002L1

Diagnostic Procedure 3

Self-diagnostic results:

“CHAIN OF IMMU-KEY” displayed on CONSULT-II screen

1. CONFIRM SELF-DIAGNOSTIC RESULTS

Confirm SELF-DIAGNOSTIC RESULTS “CHAIN OF IMMU-KEY” displayed on CONSULT-II screen.

Is CONSULT-II screen displayed as shown in figure?

Yes >> GO TO 2.

No >> GO TO [BL-247, "SELF-DIAGNOSIS RELATED ITEM"](#).

SELF DIAGNOSIS	
DTC RESULTS	TIME
CHAIN OF IMMU-KEY [P1614]	0

PIIA1263E

2. CHECK NATS ANTENNA AMP. INSTALLATION

Check NATS antenna amp. installation. Refer to [BL-256, "How to Replace NATS Antenna Amp."](#)

OK or NG

OK >> GO TO 3.

NG >> Reinstall NATS antenna amp. correctly.

3. CHECK NVIS (NATS) IGNITION KEY ID CHIP

Start engine with another registered NATS ignition key.

Does the engine start?

Yes >> Ignition key ID chip is malfunctioning.

- Replace the ignition key.
- Perform initialization with CONSULT-II.
For initialization, refer to “CONSULT-II Operation Manual NATS-IVIS/NVIS”.

No >> GO TO 4.

4. CHECK POWER SUPPLY FOR NATS ANTENNA AMP.

1. Turn ignition switch “ON”.
2. Check voltage between NATS antenna amp. connector M30 terminal 1 (P/L) and ground with CONSULT-II or tester.

Just after turning ignition switch “ON”

Voltage: Approx. 5V (For 3 seconds)

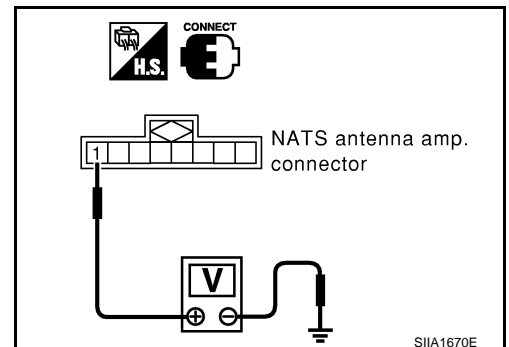
OK or NG

OK >> GO TO 5.

NG >> ● Check harness for open or short between NATS antenna amp. and BCM.

NOTE:

If harness is OK, replace BCM, perform initialization with CONSULT-II. For initialization, refer to “CONSULT-II Operation Manual NATS-IVIS/NVIS”.



NVIS (NISSAN VEHICLE IMMOBILIZER SYSTEM-NATS)

5. CHECK NATS ANTENNA AMP. SIGNAL LINE- 1

Check voltage between NATS antenna amp. connector M30 terminal 3 (LG) and ground with analogue tester.

Before turning ignition switch "ON"

Voltage: 0V

Just after turning ignition switch "ON"

: Pointer of tester should move.

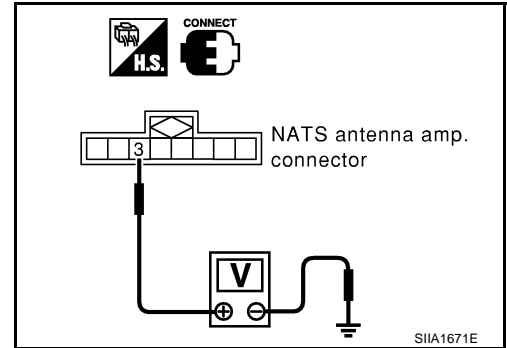
OK or NG

OK >> GO TO 6.

NG >> ● Check harness for open or short between NATS antenna amp. and BCM.

NOTE:

If harness is OK, replace BCM, perform initialization with CONSULT-II. For initialization, refer to "CONSULT-II Operation Manual NATS-IVIS/NVIS".



6. CHECK NATS ANTENNA AMP. SIGNAL LINE- 2

Check voltage between NATS antenna amp. connector M30 terminal 7 (BR) and ground with analogue tester.

Before turning ignition switch "ON"

Voltage: 0V

Just after turning ignition switch "ON"

: Pointer of tester should move.

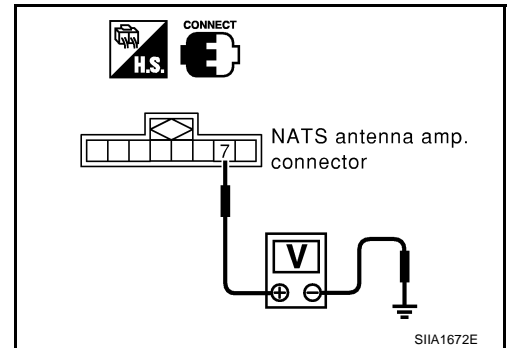
OK or NG

OK >> GO TO 7.

NG >> ● Check harness for open or short between NATS antenna amp. and BCM.

NOTE:

If harness is OK, replace BCM, perform initialization with CONSULT-II. For initialization, refer to "CONSULT-II Operation Manual NATS-IVIS/NVIS".



7. CHECK NATS ANTENNA AMP. GROUND LINE CIRCUIT

1. Turn ignition switch "OFF".

2. Check continuity between NATS antenna amp. connector M30 terminal 5 (P) and ground.

5 (P) – Ground : Continuity should exist.

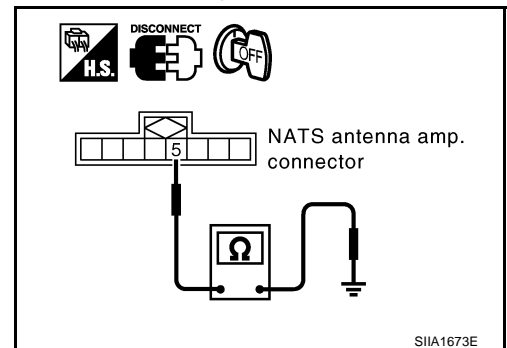
OK or NG

OK >> NATS antenna amp. is malfunctioning.

NG >> ● Check harness for open or short between NATS antenna amp. and BCM.

NOTE:

If harness is OK, replace BCM, perform initialization with CONSULT-II. For initialization, refer to "CONSULT-II Operation Manual NATS-IVIS/NVIS".



NVIS (NISSAN VEHICLE IMMOBILIZER SYSTEM-NATS)

Diagnostic Procedure 4

AIS002L2

Self-diagnostic results:

"ID DISCORD, IMM-ECM" displayed on CONSULT-II screen

1. CONFIRM SELF-DIAGNOSTIC RESULTS

Confirm SELF-DIAGNOSTIC RESULTS "ID DISCORD, IMM-ECM" displayed on CONSULT-II screen.

NOTE:

"ID DISCORD IMM-ECM":

Registered ID of BCM is in discord with that of ECM.

Is CONSULT-II screen displayed as shown in figure?

Yes >> GO TO 2.

No >> GO TO [BL-247, "SELF-DIAGNOSIS RELATED ITEM"](#) .

SELF DIAG RESULTS	
DTC RESULTS	TIME
ID DISCORD, IMM-ECM [P1611]	0

PIIA1262E

2. PERFORM INITIALIZATION WITH CONSULT-II

Perform initialization with CONSULT-II. Re-register all NATS ignition key IDs.

For initialization, refer to "CONSULT-II Operation Manual NATS-IVIS/NVIS".

NOTE:

If the initialization is not completed or malfunctions, CONSULT-II shows message on the screen.

Can the system be initialized?

Yes >> ● Start engine. (END)

- (System initialization had not been completed.)

No >> ECM is malfunctioning.

- Replace ECM.

- Perform initialization with CONSULT-II.

For initialization, refer to "CONSULT-II Operation Manual NATS-IVIS/NVIS".

IMMU INITIALIZATION
INITIALIZATION FAIL
THEN IGN KEY SW 'OFF' AND 'ON', AFTER CONFIRMING SELF-DIAG AND PASSWORD, PERFORM C/U INITIALIZATION AGAIN.

SEL297W

NVIS (NISSAN VEHICLE IMMOBILIZER SYSTEM-NATS)

AIS002L3

Diagnostic Procedure 5

“SECURITY INDICATOR LAMP DOES NOT LIGHT UP”

1. CHECK FUSE

Check 10A fuse [No. 21, located in the fuse block (J/B)]

OK or NG

- OK >> GO TO 2.
- NG >> Replace fuse.

2. CHECK SECURITY INDICATOR LAMP

1. Install 10A fuse.
2. Start engine and turn ignition switch OFF.
3. Make sure the security indicator lamp lights up.

Security indicator lamp should light up.

OK or NG

- OK >> INSPECTION END
- NG >> GO TO 3.

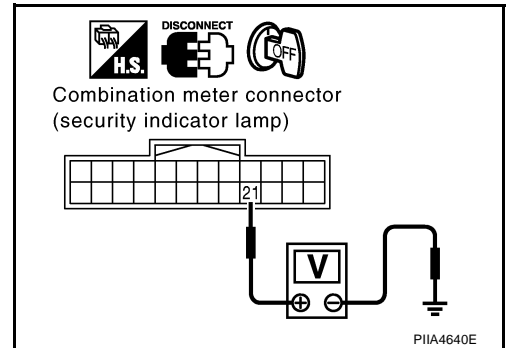
3. CHECK SECURITY INDICATOR LAMP POWER SUPPLY CIRCUIT

1. Disconnect combination meter (security indicator lamp) connector.
2. Check voltage between combination meter (security indicator lamp) connector M25 terminal 21 (Y/R) and ground.

21 (Y/R) – Ground : Battery voltage

OK or NG

- OK >> GO TO 4.
- NG >> Check harness for open or short between fuse and combination meter (security indicator lamp).



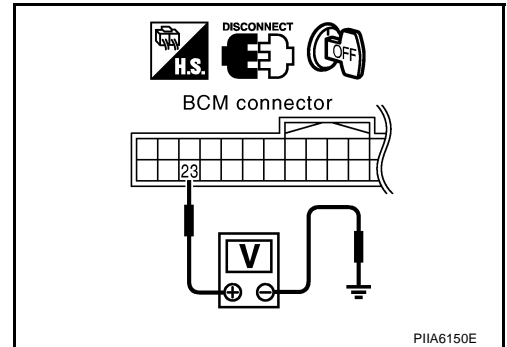
4. CHECK BCM FUNCTION

1. Connect combination meter (security indicator lamp) connector.
2. Disconnect BCM connector M34.
3. Check voltage between BCM connector M34 terminal 23 (G/O) and ground.

23 (G/O) – Ground : Battery voltage

OK or NG

- OK >> BCM is malfunctioning.
 - Replace BCM.
 - Perform initialization with CONSULT-II.
 - For initialization, refer to “CONSULT-II Operation Manual NATS-IVIS/NVIS”.
- NG >> Check the following.
 - Harness for open or short between combination meter (security indicator lamp) and BCM.
 - Indicator lamp condition



NVIS (NISSAN VEHICLE IMMOBILIZER SYSTEM-NATS)

AI5002L4

Diagnostic Procedure 6

Self-diagnostic results:

“LOCK MODE” displayed on CONSULT-II screen

1. CONFIRM SELF-DIAGNOSTIC RESULTS

Confirm SELF-DIAGNOSTIC RESULTS “LOCK MODE” is displayed on CONSULT-II screen.

Is CONSULT-II screen displayed as shown in figure?

Yes >> GO TO 2.

No >> GO TO [BL-247, "SELF-DIAGNOSIS RELATED ITEM"](#).

SELF DIAG RESULTS	
DTC RESULTS	TIME
LOCK MODE [P1610]	0

PIIA1264E

2. ESCAPE FROM LOCK MODE

1. Turn ignition switch OFF.
2. Turn ignition switch ON with registered key. (Do not start engine.) Wait 5 seconds.
3. Return the key to OFF position. Wait 5 seconds.
4. Repeat steps 2 and 3 twice (total of three cycles).
5. Start the engine.

Does engine start?

Yes >> System is OK (Now system is escaped from “LOCK MODE”).

No >> GO TO 3.

3. PERFORM INITIALIZATION WITH CONSULT-II

Perform initialization with CONSULT-II.

For initialization, refer to “CONSULT-II Operation Manual NATS-IVIS/NVIS”.

NOTE:

If the initialization is not completed or malfunctions, CONSULT-II shows the message on the screen.

Can the system be initialized?

Yes >> System is OK.

No >> GO TO 4.

IMMU INITIALIZATION
INITIALIZATION FAIL
THEN IGN KEY SW 'OFF' AND 'ON', AFTER CONFIRMING SELF-DIAG AND PASSWORD, PERFORM C/U INITIALIZATION AGAIN.

SEL297W

NVIS (NISSAN VEHICLE IMMOBILIZER SYSTEM-NATS)

4. PERFORM INITIALIZATION WITH CONSULT-II AGAIN

1. Replace BCM.
2. Perform initialization with CONSULT-II.
For initialization, refer to "CONSULT-II Operation Manual NATS-IVIS/NVIS".

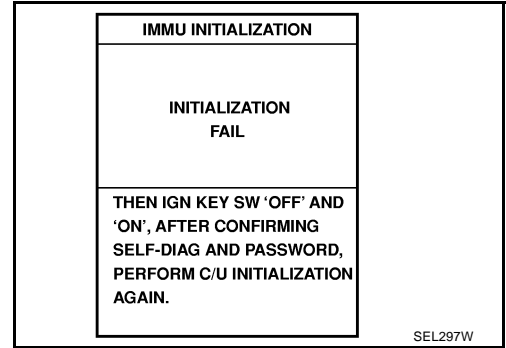
NOTE:

If the initialization is not completed or malfunctions, CONSULT-II shows the message on the screen.

Can the system be initialized?

- Yes >> System is OK. (BCM is malfunctioning.)
No >> ECM is malfunctioning.

- Replace ECM.
- Perform initialization with CONSULT-II.
- For initialization, refer to "CONSULT-II Operation Manual NATS-IVIS/NVIS".

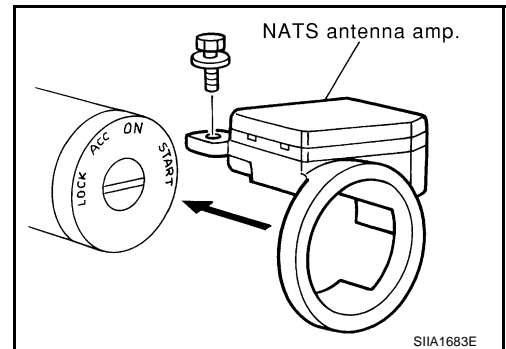


How to Replace NATS Antenna Amp.

AIS002L5

NOTE:

- If NATS antenna amp. is not installed correctly, NVIS (NATS) system will not operate properly and SELF-DIAG RESULTS on CONSULT-II screen will show "LOCK MODE" or "CHAIN OF IMMU-KEY".
- Initialization is not necessary only when NATS antenna amp. is replaced with a new one.



INTEGRATED HOMELINK TRANSMITTER

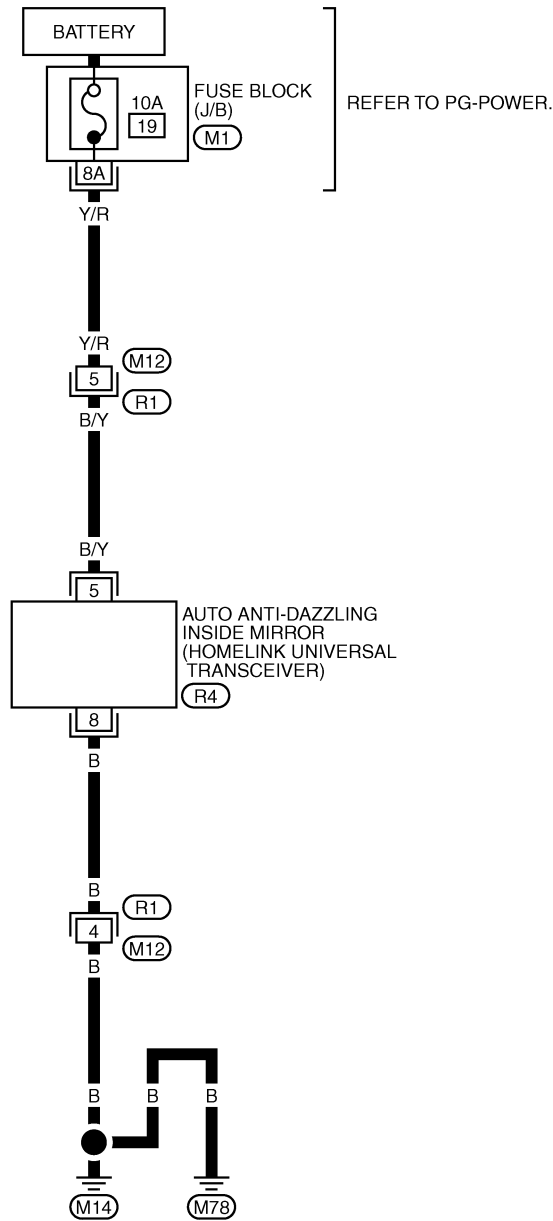
INTEGRATED HOMELINK TRANSMITTER

Wiring Diagram —TRNSCV—

PFP:96401

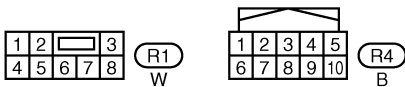
AIS002WQ

BL-TRANSCV-01



REFER TO PG-POWER.

A
B
C
D
E
F
G
H
BL
J
K
L
M



REFER TO THE FOLLOWING.

(M1) - FUSE BLOCK-JUNCTION BOX (J/B)

TIWA0443E

INTEGRATED HOMELINK TRANSMITTER

AIS002WR

Trouble Diagnoses DIAGNOSTIC PROCEDURE

SYMPTOM: Transmitter Does Not Activate Receiver

Before conducting the procedure given below, make sure that system receiver (garage door opener, etc.) operates with original, hand-held transmitter. If NG, receiver or hand-held transmitter is malfunctioning, not vehicle related.

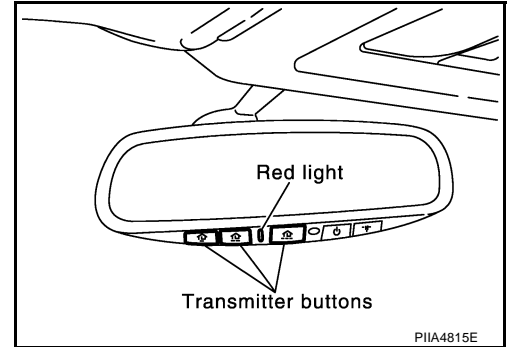
1. CHECK ILLUMINATION

1. Turn ignition switch "OFF".
2. Does red light (LED) of transmitter illuminate when any transmitter button is pressed?

YES or NO

YES >> GO TO 2.

NO >> GO TO 3.



2. CHECK TRANSMITTER

Check auto anti-dazzling inside mirror (homelink universal transceiver) with Tool*.

*:For details, refer to Technical Service Bulletin.

OK or NG

OK >> Receiver or hand-held transmitter malfunction, not vehicle related.

NG >> Replace inside mirror assembly.

3. CHECK POWER SUPPLY

1. Disconnect auto anti-dazzling inside mirror (homelink universal transceiver) connector.
2. Turn ignition switch "OFF".
3. Check voltage between auto anti-dazzling inside mirror (homelink universal transceiver) connector R4 terminal 5 (Y) and ground.

5 (Y) – Ground

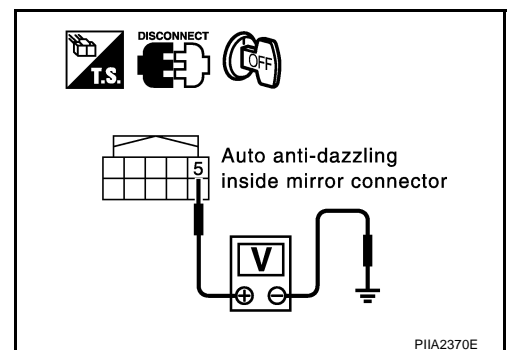
: Battery voltage

OK or NG

OK >> GO TO 4.

NG >> ● Check 10A fuse. [No. 19 located in the fuse block (J/B)]

- Repair or replace harness between fuse and anti-dazzling inside mirror (homelink universal transceiver).



INTEGRATED HOMELINK TRANSMITTER

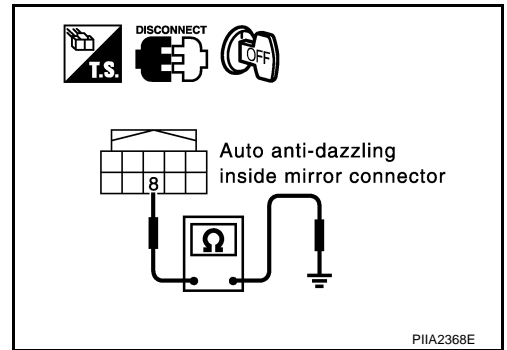
4. CHECK GROUND CIRCUIT

Check continuity between anti-dazzling inside mirror (homelink universal transceiver) connector R4 terminal 8 (B) and ground.

8 (B) – Ground :Continuity should exist.

OK or NG

- OK >> Replace inside mirror assembly.
- NG >> Harness for open or short between anti-dazzling inside mirror (homelink universal transceiver) ground.



A
B
C
D
E
F
G
H
BL
J
K
L
M

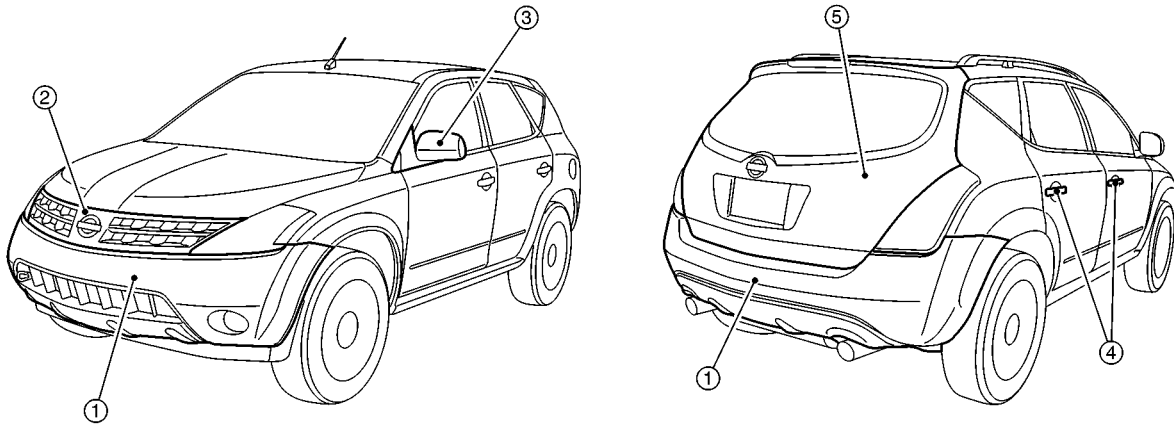
BODY REPAIR

BODY REPAIR

PFP:60100

Body Exterior Paint Color

AIS001XT



SIA2069E

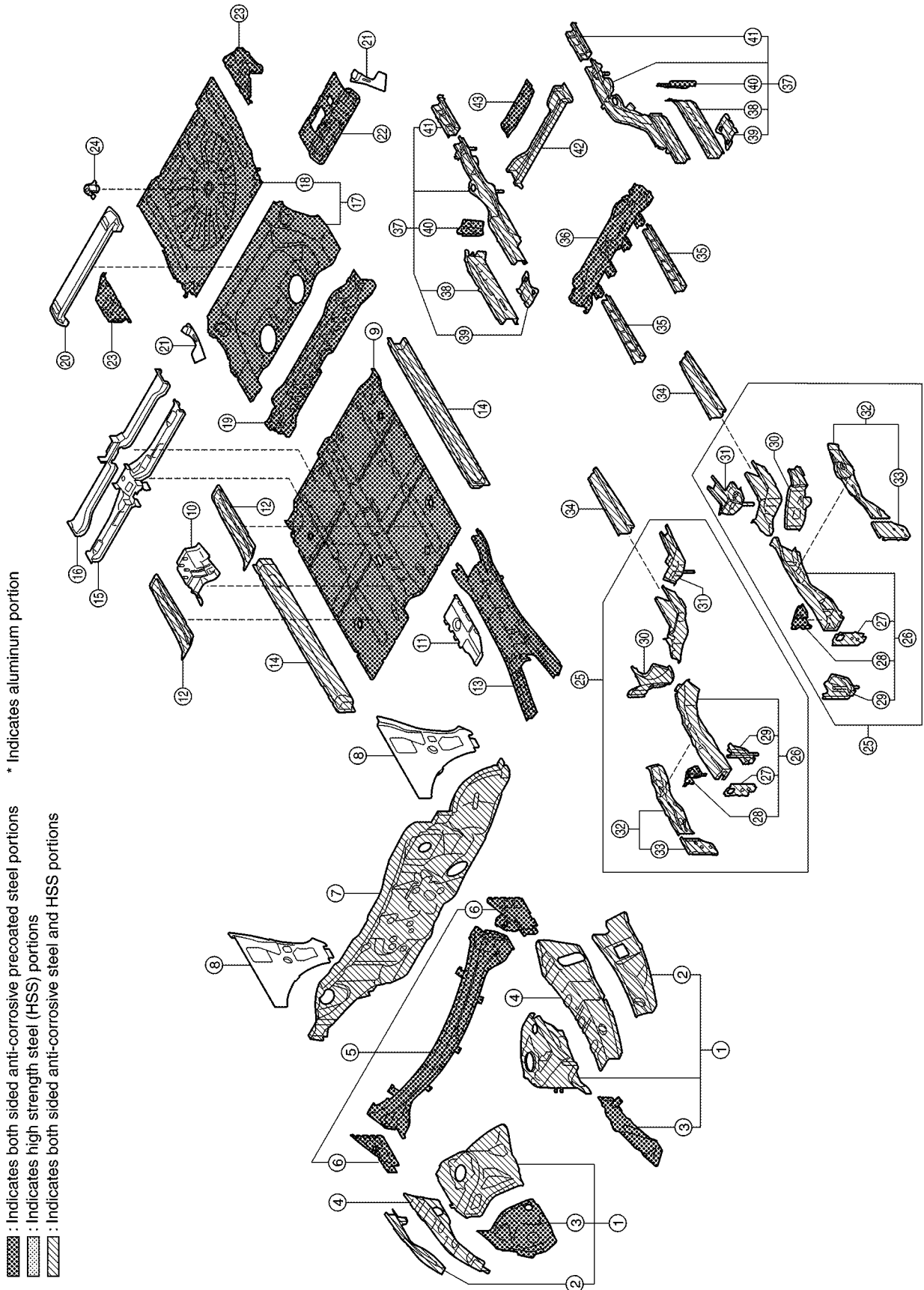
Component			Color code	BAX5	BBW9	BEY0	BK21	BKH3	BKY0	BQX1	BR10
			Description	RED	Dark Blue	Light Gold	Gray	Black	Silver	White	Orange
			Paint type	2P	2P	RPM	FPM	2S	M	3P	M
			Hard clear coat	×	×	-	-	×	-	-	-
1	Bumper fascia	Upper	Body color	BAX5	BBW9	BEY0	BK21	BKH3	BKY0	BQX1	BR10
		Lower	Gray Metallic (M)	BKR2	BKR2	BKR2	BKR2	BKR2	BKR2	BKR2	BKR2
2	Front grille		Chromium-plate + Color clear coat	Cr2p	Cr2p	Cr2p	Cr2p	Cr2p	Cr2p	Cr2p	Cr2p
3	Door outside mirror	Housing	Body color	BAX5	BBW9	BEY0	BK21	BKH3	BKY0	BQX1	BR10
		Base	Black	BKH3	BKH3	BKH3	BKH3	BKH3	BKH3	BKH3	BKH3
4	Door outside handle		Chromium-plate	Cr2p	Cr2p	Cr2p	Cr2p	Cr2p	Cr2p	Cr2p	Cr2p
			Body color	BAX5	BBW9	BEY0	BK21	BKH3	BKY0	BQX1	BR10
5	Back door		Body color	BAX5	BBW9	BEY0	BK21	BKH3	BKY0	BQX1	BR10

2S:Solid + Clear, M:Metallic, P:Pearl, 2P:2-Coat pearl, 3P:3-Coat pearl, FPM:Iron oxide pearl, RPM:Multi flex color

BODY REPAIR

Body Component Parts UNDERBODY COMPONENT PARTS

AIS001XU






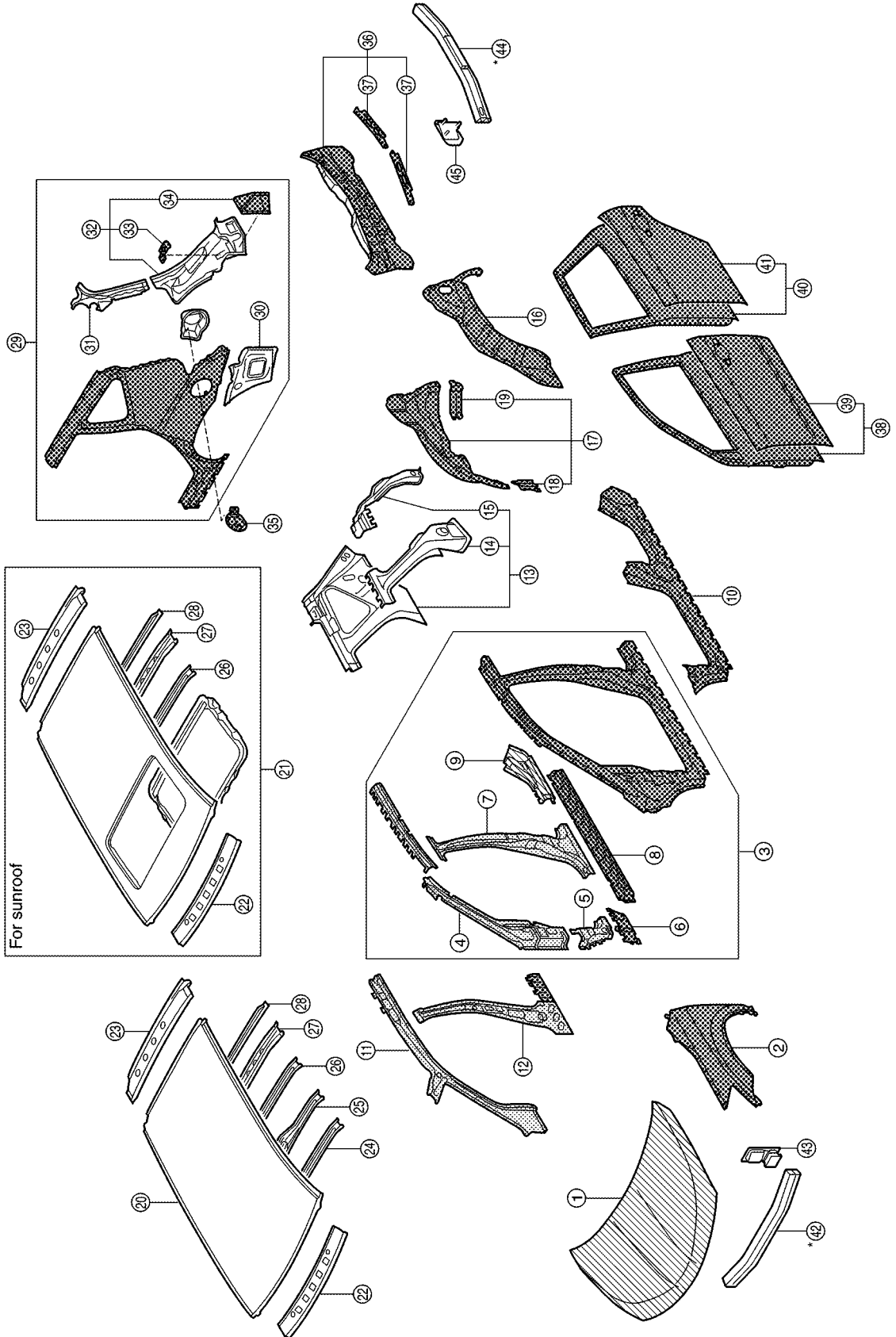
BODY REPAIR

1. Hoodledge assembly
2. Upper hoodledge
3. Lower front hoodledge
4. Hoodledge reinforcement
5. Air box assembly
6. Side cowl top
7. Lower dash
8. Side dash
9. Front floor
10. Center front floor reinforcement
11. Front floor reinforcement (RH&LH)
12. Front side member stiffener
13. Center floor member assembly
14. Inner sill
15. 2ND crossmember assembly
16. 3RD crossmember assembly
17. Rear floor
18. Rear floor rear
19. Rear floor front extension
20. Rear seat back support assembly
21. Outer rear seat belt anchor reinforcement
22. 2ND seat mounting bracket
23. Rear floor side
24. Spare tire clamp bracket
25. Front side member assembly
26. Front side member
27. Front side member connector
28. Bumper stay reinforcement assembly
29. Front suspension mounting bracket
30. Front side member outrigger assembly
31. Lower dash crossmember
32. Front side member closing plate assembly
33. Front side member front closing plate
34. Front side member center extension
35. Front side member rear extension
36. Rear seat crossmember
37. Rear side member assembly
38. Inner sill extension
39. Jack up point bracket
40. Sill closing plate
41. Rear side member extension
42. Center rear crossmember assembly
43. Spare wheel crossmember

BODY REPAIR

BODY COMPONENT PARTS

-  : Indicates both sided anti-corrosive pre-coated steel portions
-  : Indicates high strength steel (HSS) portions
-  : Indicates both sided anti-corrosive steel and HSS portions
- * Indicates aluminum portion



A
B
C
D
E
F
G
H
BL
J
K
L
M

- 1. Hood
- 2. Front fender (RH&LH)

- 24. Rear roof rail assembly
- 25. Roof bow No.1

SIIA2389E

BODY REPAIR

3. Side body assembly (RH&LH)
4. Upper pillar hinge brace assembly (RH&LH)
5. Lower front pillar hinge brace (RH&LH)
6. Lower front pillar reinforcement (RH&LH)
7. Center pillar reinforcement (RH&LH)
8. Outer sill reinforcement assembly (RH&LH)
9. Rear outer sill reinforcement (RH&LH)
10. Outer sill (RH&LH)
11. Inner side roof rail (RH&LH)
12. Inner center pillar (RH&LH)
13. Inner rear pillar assembly (RH&LH)
14. Inner rear pillar reinforcement (RH&LH)
15. Back pillar reinforcement (RH&LH)
16. Outer rear wheelhouse (RH&LH)
17. Inner rear wheelhouse assembly (RH&LH)
18. Inner rear wheelhouse front extension (RH&LH)
19. Inner rear wheelhouse rear extension (RH&LH)
20. Roof
21. Roof assembly (for sunroof)
22. Front roof rail assembly
23. Roof bow No.2
26. Roof bow No.3
27. Roof bow No.4
28. Roof bow No.5
29. Rear fender assembly (RH&LH)
30. Rear fender extension (RH&LH)
31. Back pillar assembly (RH&LH)
32. Rear combination lamp base assembly (RH&LH)
33. Rear bumper fascia rear bracket (RH&LH)
34. Rear combination lamp base extension (RH&LH)
35. Fuel filler lid (LH)
36. Rear panel assembly
37. Rear bumper fascia bracket
38. Front door assembly (RH&LH)
39. Outer front door panel (RH&LH)
40. Rear door assembly (RH&LH)
41. Outer rear door panel (RH&LH)
42. Front bumper reinforcement
43. Front bumper stay (RH&LH)
44. Rear bumper reinforcement
45. Rear bumper stay (RH&LH)

BODY REPAIR

Corrosion Protection

AIS001XV

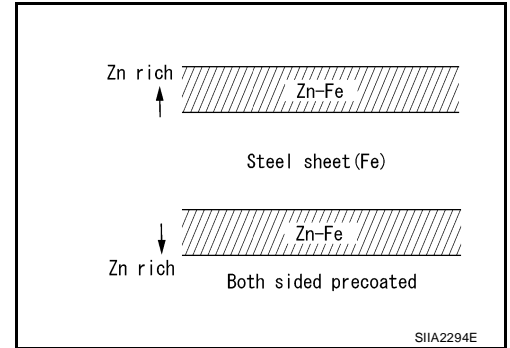
DESCRIPTION

To provide improved corrosion prevention, the following anti-corrosive measures have been implemented in NISSAN production plants. When repairing or replacing body panels, it is necessary to use the same anti-corrosive measures.

Anti-corrosive Precoated Steel (Galvannealed Steel)

To improve repairability and corrosion resistance, a new type of anti-corrosive precoated steel sheet has been adopted replacing conventional zinc-coated steel sheet.

Galvannealed steel is electroplated and heated to form Zinc-iron alloy, which provides excellent and long term corrosion resistance with cationic electrodeposition primer.



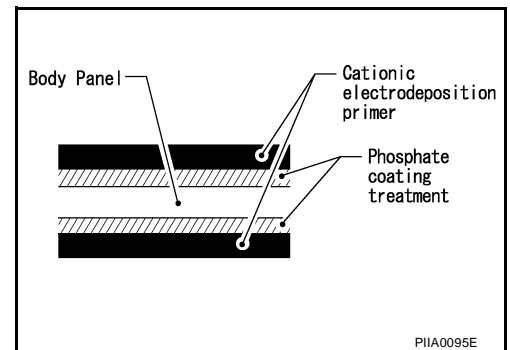
Nissan Genuine Service Parts are fabricated from galvannealed steel. Therefore, it is recommended that GENUINE NISSAN PARTS or equivalent be used for panel replacement to maintain the anti-corrosive performance built into the vehicle at the factory.

Phosphate Coating Treatment and Cationic Electrodeposition Primer

A phosphate coating treatment and a cationic electrodeposition primer, which provide excellent corrosion protection, are employed on all body components.

CAUTION:

Confine paint removal during welding operations to an absolute minimum.

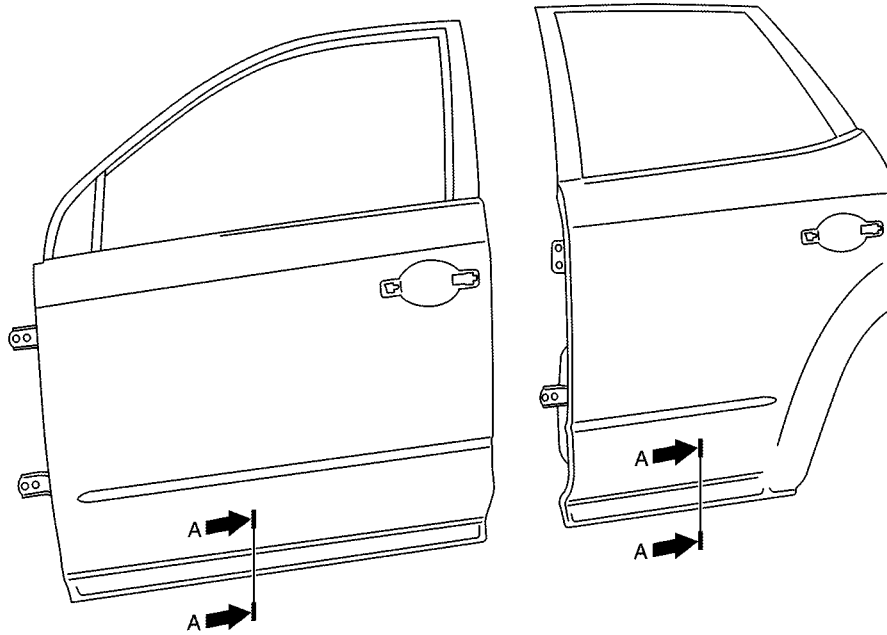



Nissan Genuine Service Parts are also treated in the same manner. Therefore, it is recommended that GENUINE NISSAN PARTS or equivalent be used for panel replacement to maintain anti-corrosive performance built into the vehicle at the factory.

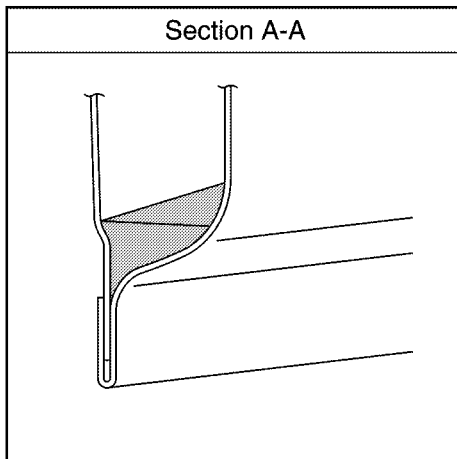
BODY REPAIR

ANTI-CORROSIVE WAX

To improve corrosion resistance, anti-corrosive wax is applied inside the body sill and inside other closed sections. Accordingly, when replacing these parts, be sure to apply anti-corrosive wax to the appropriate areas of the new parts. Select an excellent anti-corrosive wax which will penetrate after application and has a long shelf life.



 : Indicates anti-corrosive wax coated portions.



SIA2160E


BODY REPAIR

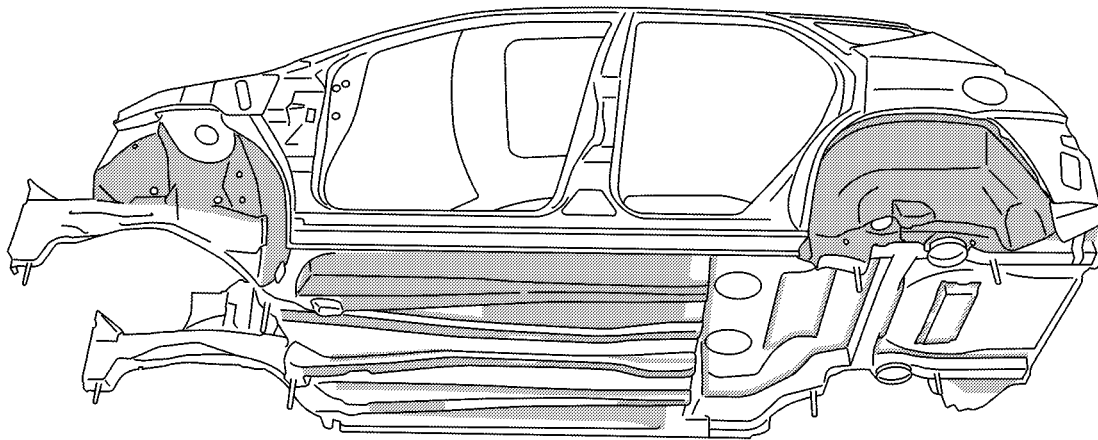
UNDERCOATING

The underside of the floor and wheelhouse are undercoated to prevent rust, vibration, noise and stone chipping. Therefore, when such a panel is replaced or repaired, apply undercoating to that part. Use an undercoating which is rust preventive, soundproof, vibration-proof, shock-resistant, adhesive, and durable.

Precautions in Undercoating

1. Do not apply undercoating to any place unless specified (such as the areas above the muffler and three way catalyst which are subjected to heat).
2. Do not undercoat the exhaust pipe or other parts which become hot.
3. Do not undercoat rotating parts.
4. Apply bitumen wax after applying undercoating.
5. After putting seal on the vehicle, put undercoating on it.

 : Indicates undercoated portions.

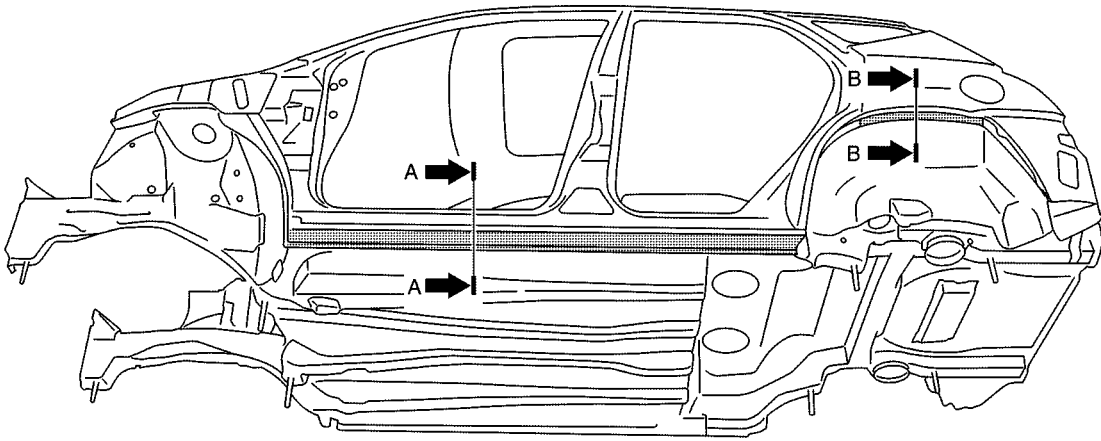


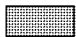
SIA2161E

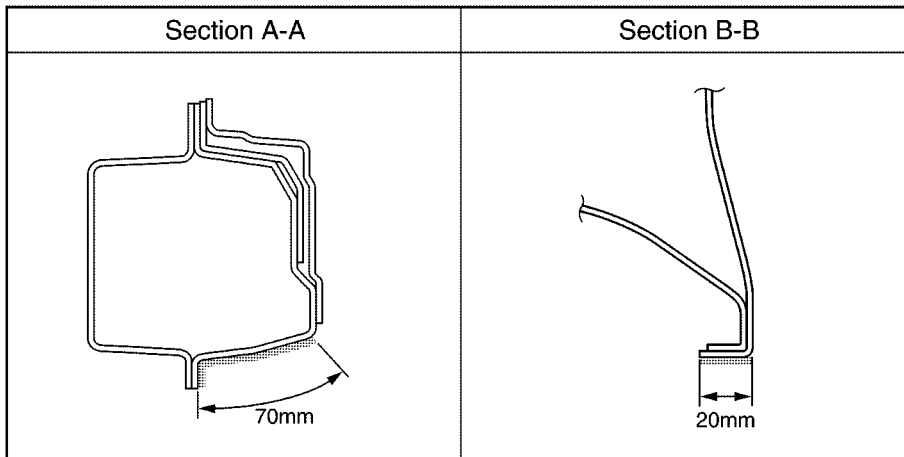
BODY REPAIR

STONE GUARD COAT

To prevent damage caused by stones, the lower outer body panel (fender, door, etc.) have an additional layer of Stone Guard Coating over the ED primer coating. When replacing or repairing these panels, apply Stone Guard coating to the same portions as before. Use a coating which is rust preventive, durable, shock-resistant and has a long shelf life.



 : Indicates stone guard coated portions.



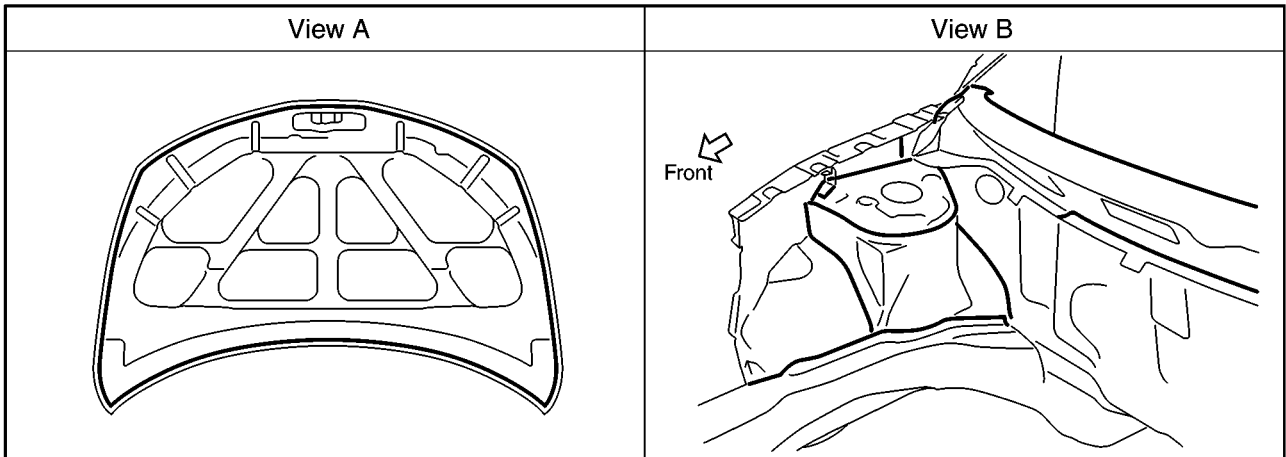
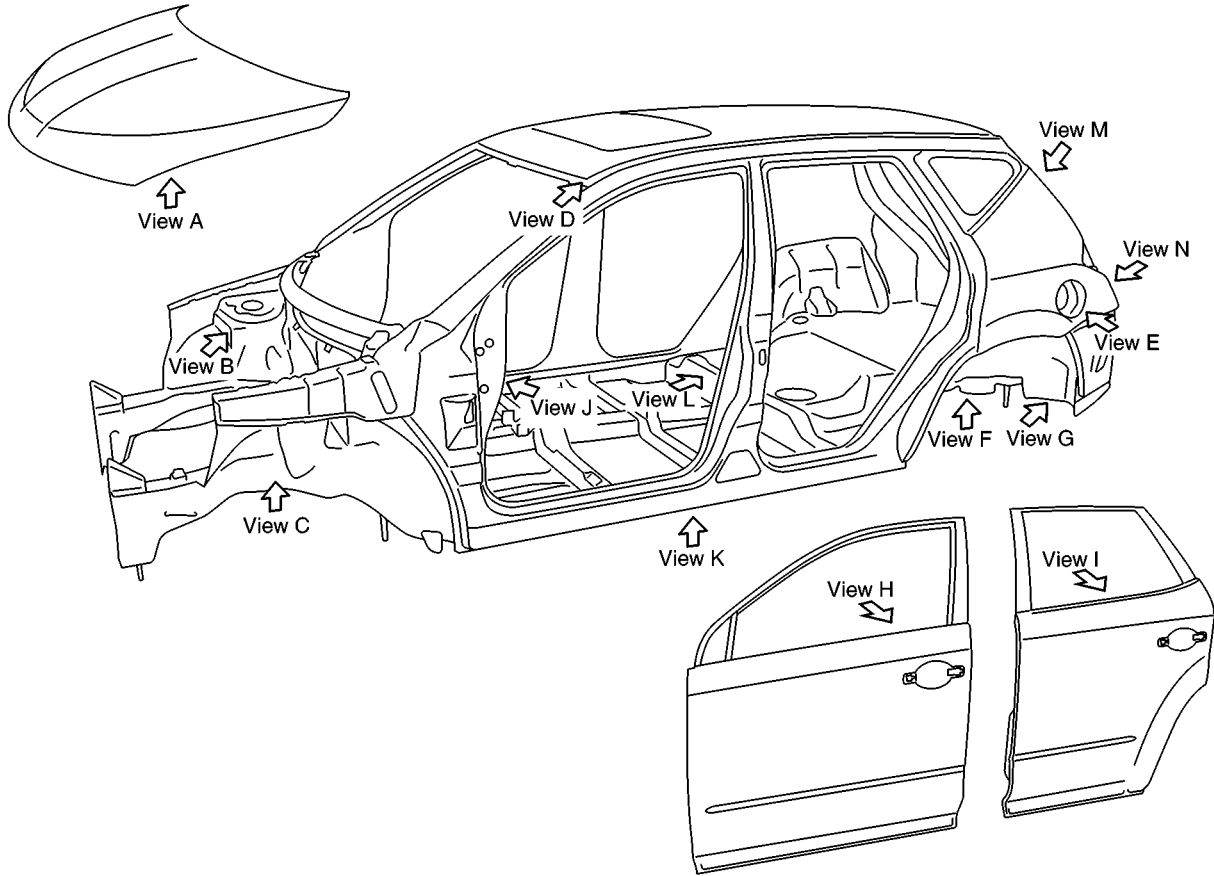
SIA2162E

BODY REPAIR

AIS001.XW

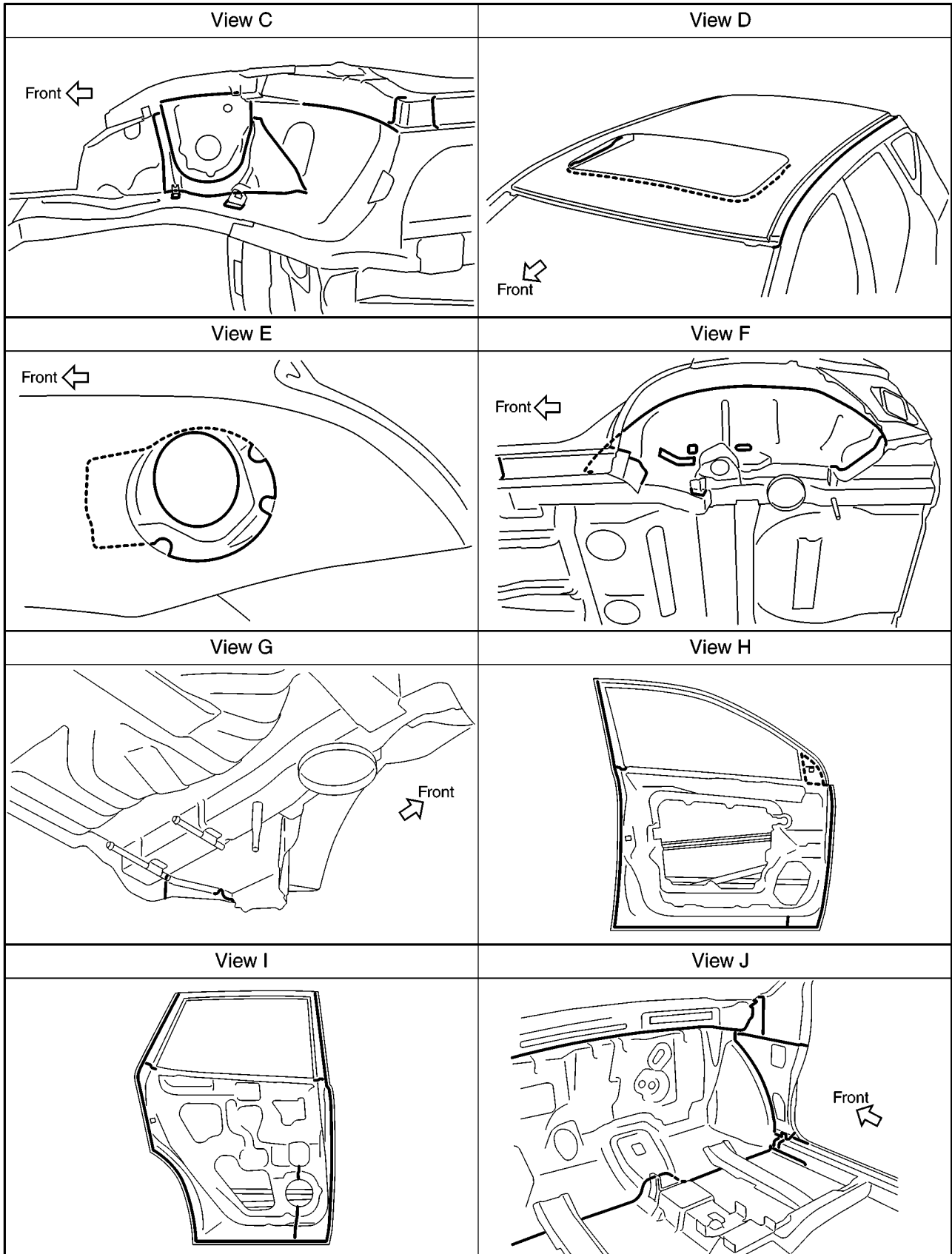
Body Sealing DESCRIPTION

The following figure shows the areas which are sealed at the factory. Sealant which has been applied to these areas should be smooth and free from cuts or gaps. Care should be taken not to apply an excess amount of sealant and not to allow other unaffected parts to come into contact with the sealant.



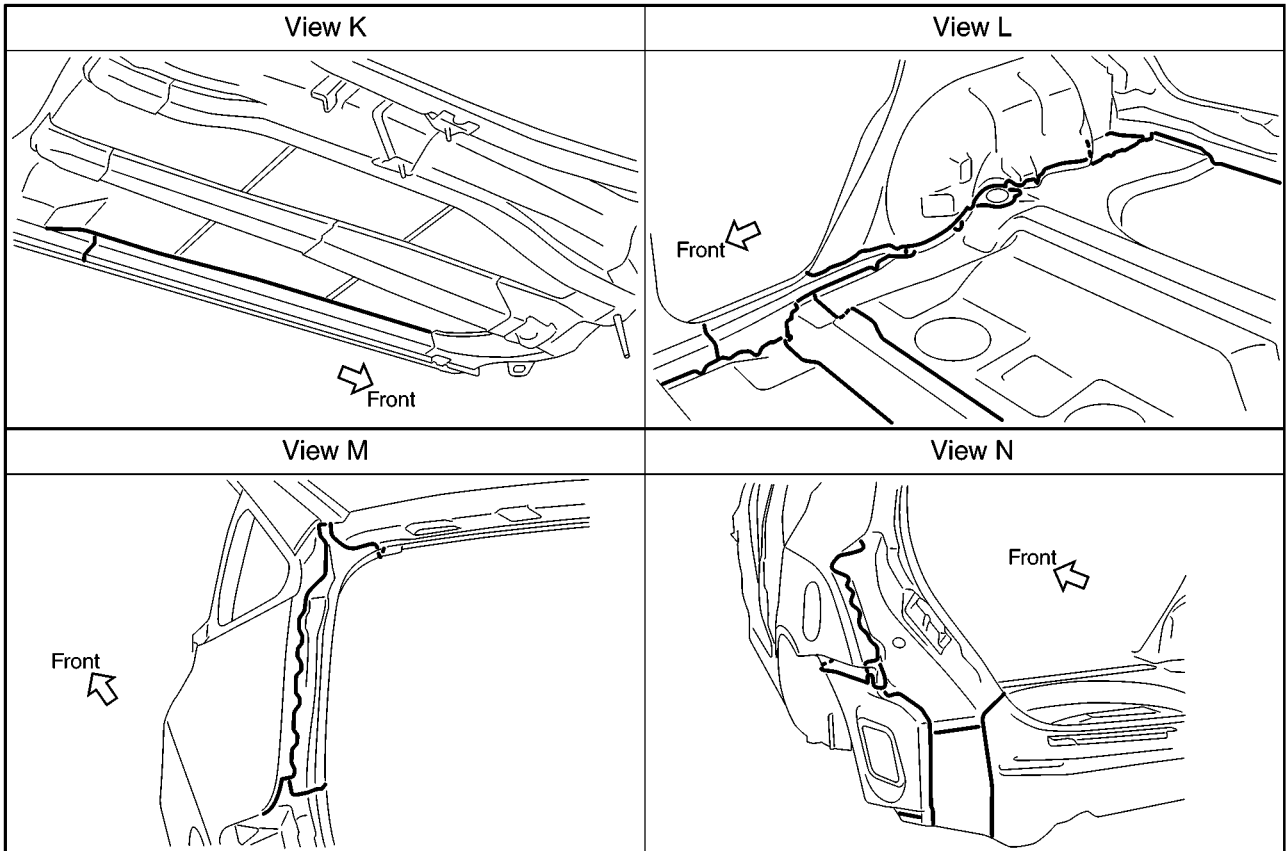
SIA2163E

BODY REPAIR



SIA2164E

BODY REPAIR



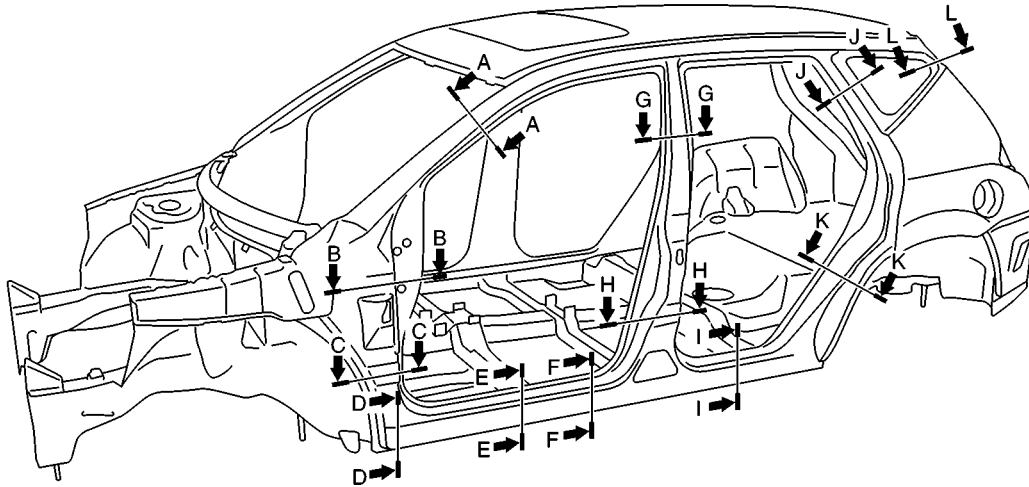
A
B
C
D
E
F
G
H
BL
J
K
L
M

SIIA2165E

BODY REPAIR

Body Construction BODY CONSTRUCTION

AI5001XX



Section A-A	Section B-B	Section C-C	Section D-D
Section E-E	Section F-F	Section G-G	Section H-H
Section I-I	Section J-J	Section K-K	Section L-L

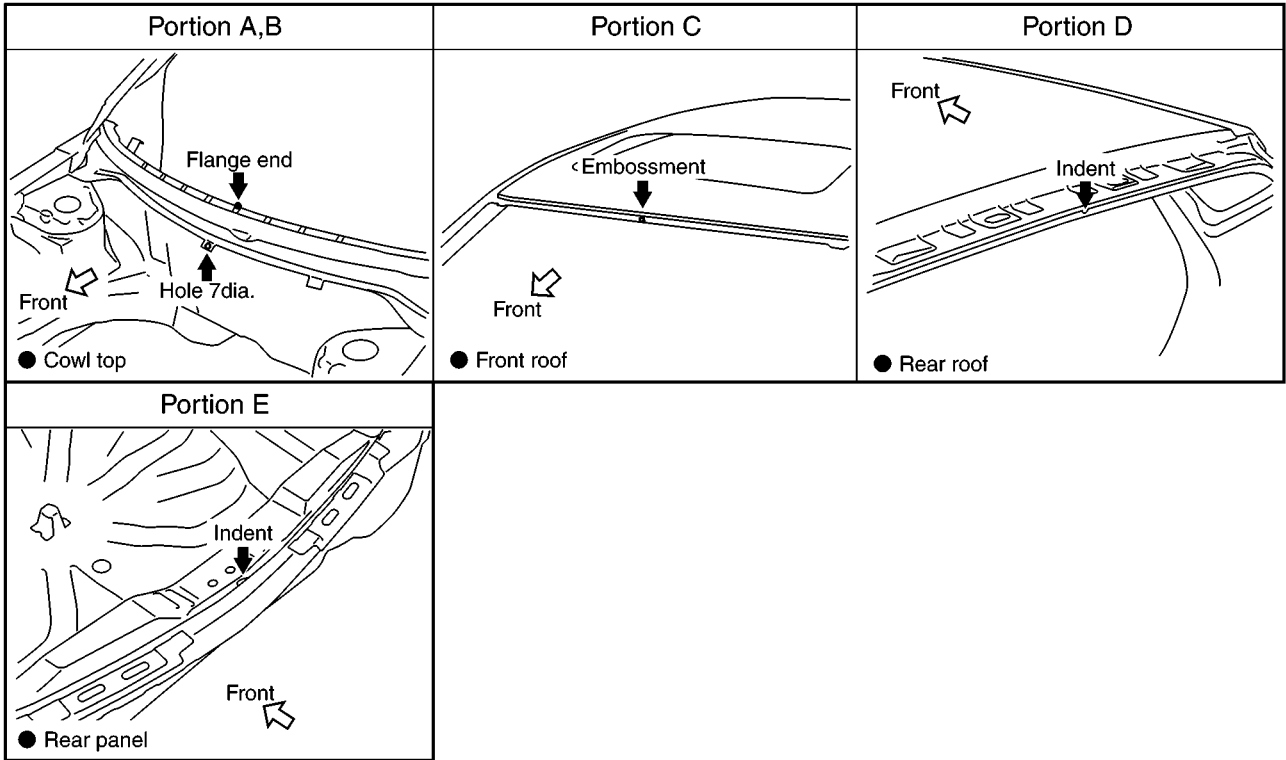
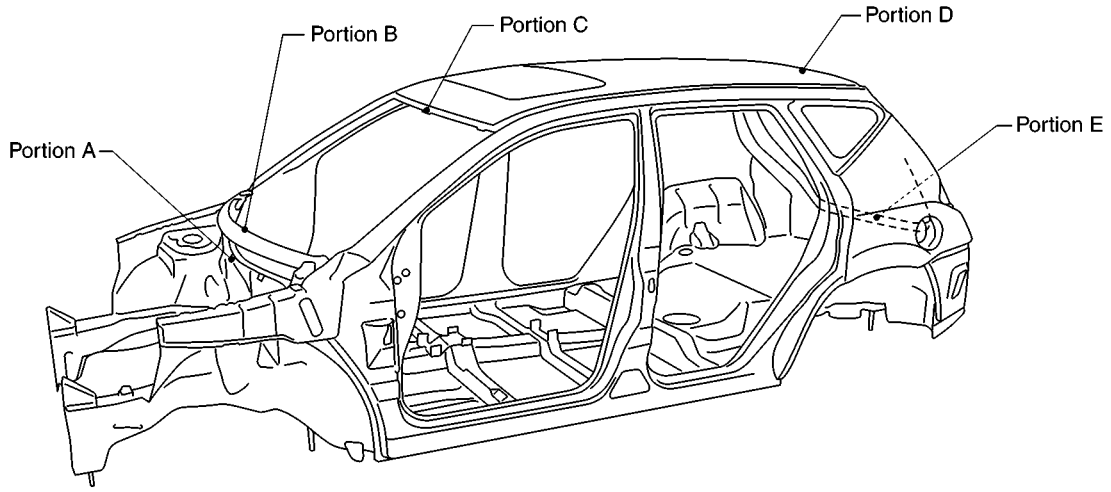
SIIA2166E

BODY REPAIR

AIS001XY

Body Alignment BODY CENTER MARKS

A mark has been placed on each part of the body to indicate the vehicle center. When repairing parts damaged by an accident which might affect the vehicle frame (members, pillars, etc.), more accurate and effective repair will be possible by using these marks together with body alignment specifications.



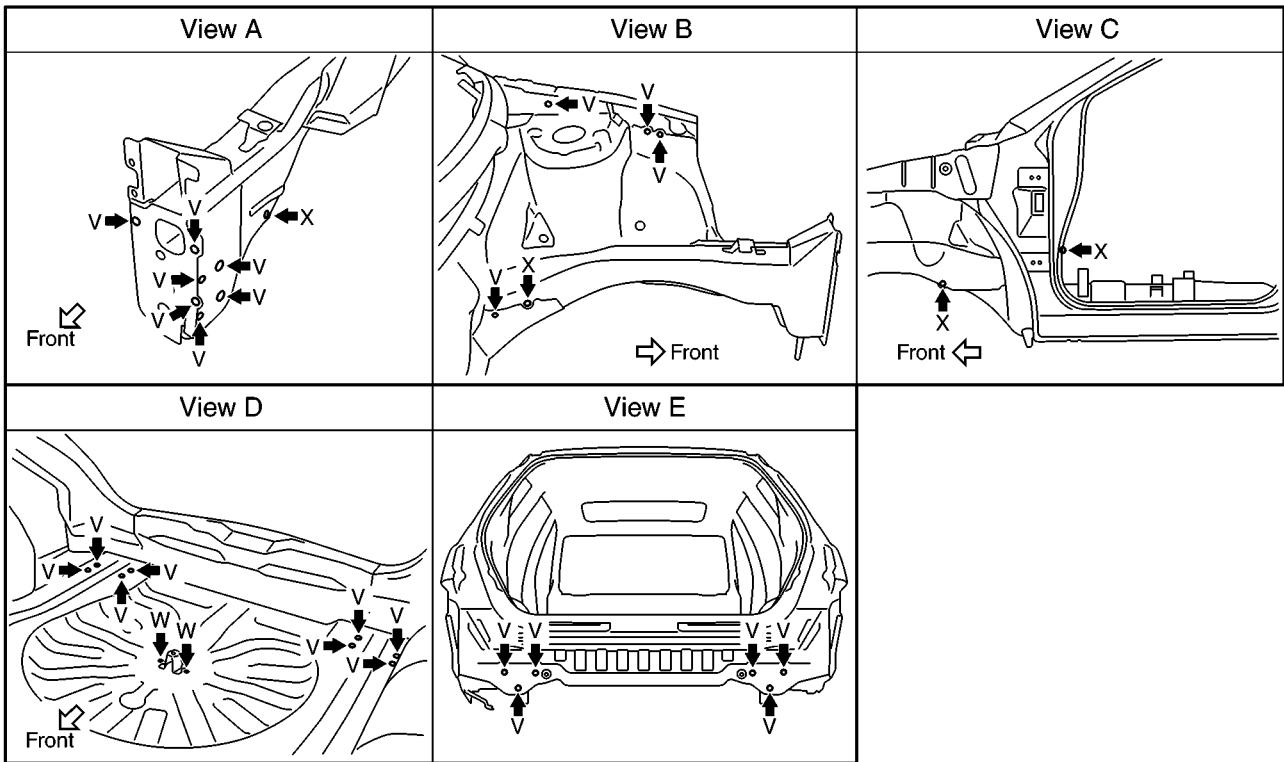
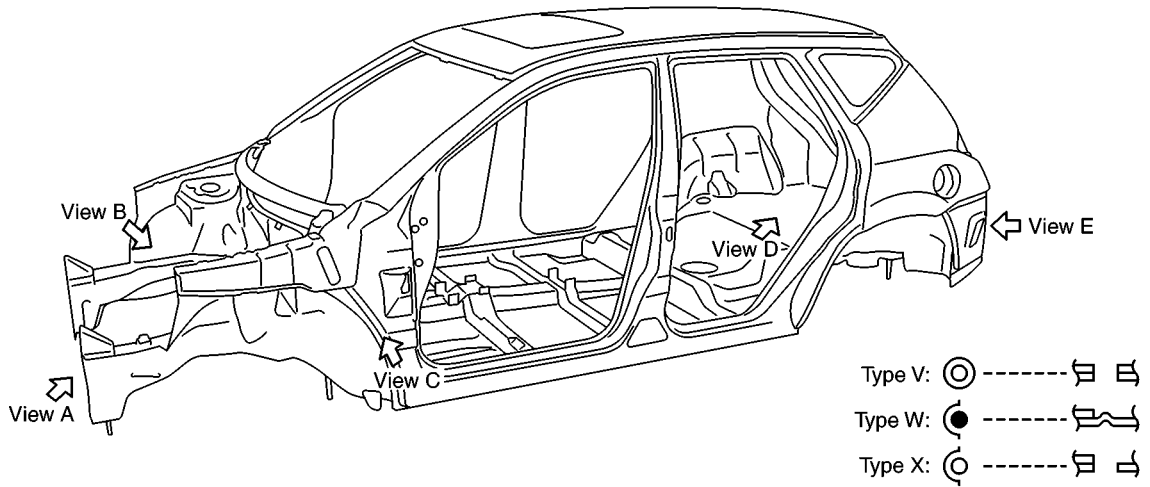
SIA2167E

A
B
C
D
E
F
G
H
BL
J
K
L
M

BODY REPAIR

PANEL PARTS MATCHING MARKS

A mark has been placed on each body panel to indicate the parts matching positions. When repairing parts damaged by an accident which might affect the vehicle structure (members, pillars, etc.), more accurate and effective repair will be possible by using these marks together with body alignment specifications.

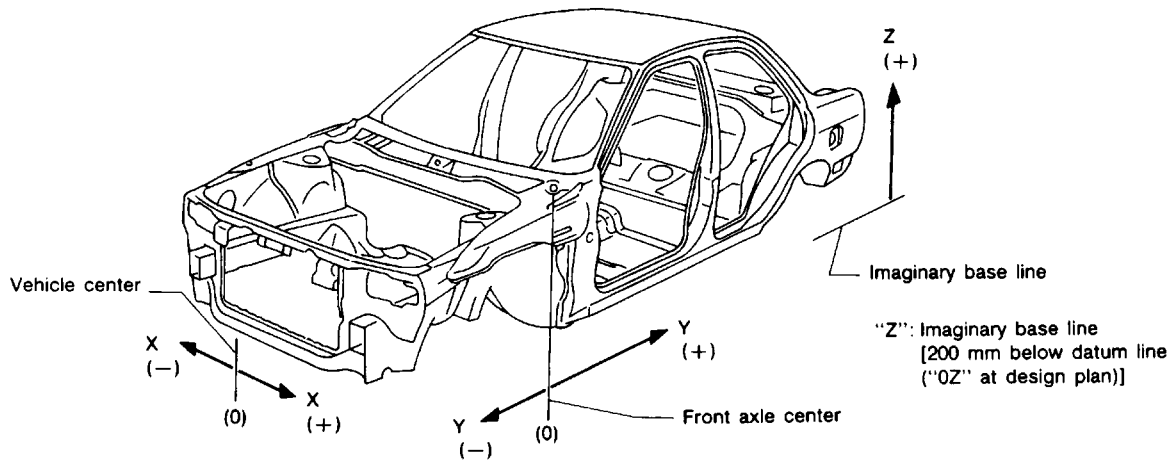


SIA2168E

BODY REPAIR

DESCRIPTION

- All dimensions indicated in the figures are actual.
- When using a tracking gauge, adjust both pointers to equal length. Then check the pointers and gauge itself to make sure there is no free play.
- When a measuring tape is used, check to be sure there is no elongation, twisting or bending.
- Measurements should be taken at the center of the mounting holes.
- An asterisk (*) following the value at the measuring point indicates that the measuring point on the other side is symmetrically the same value.
- The coordinates of the measurement points are the distances measured from the standard line of "X", "Y" and "Z".



PIIA0104E

A
B
C
D
E
F
G
H
J
K
L
M

BL

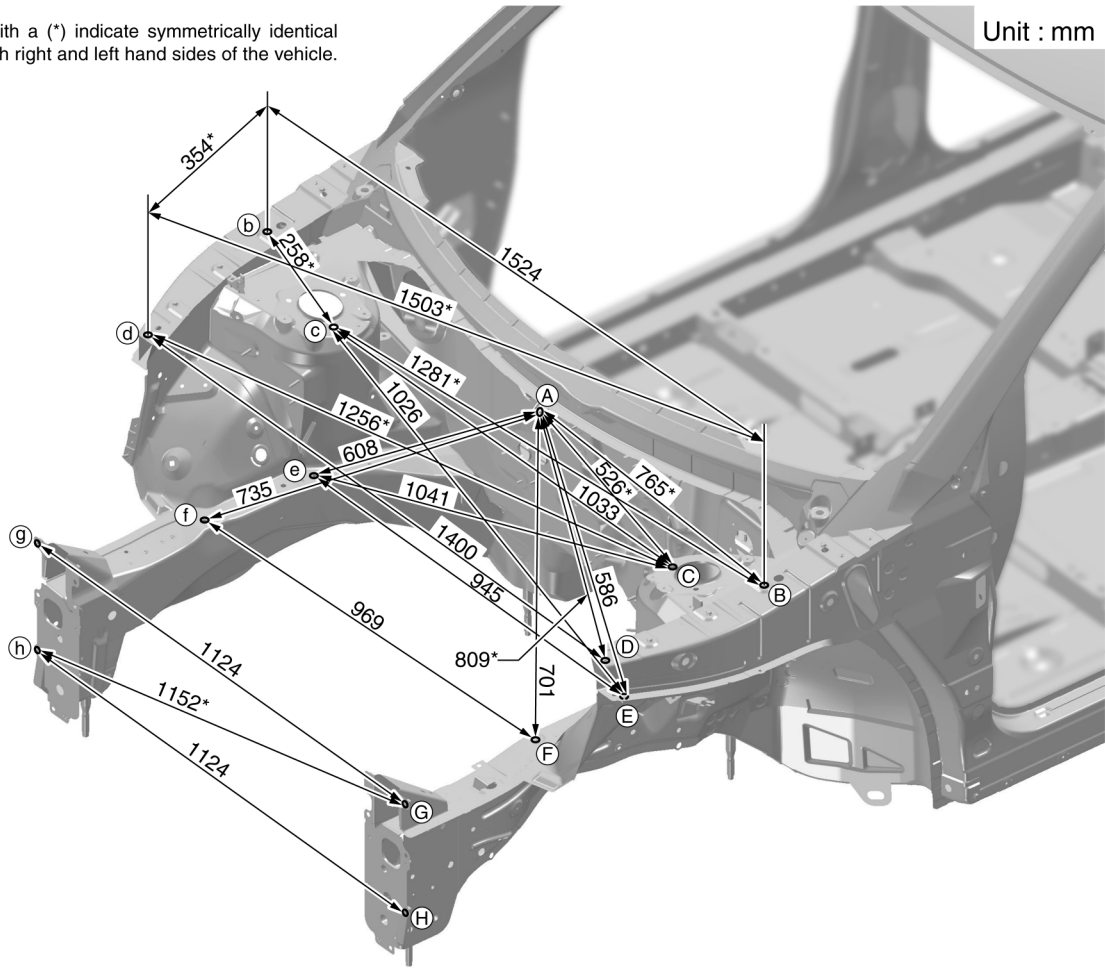
BODY REPAIR

ENGINE COMPARTMENT

Measurement

Figures marked with a (*) indicate symmetrically identical dimensions on both right and left hand sides of the vehicle.

Unit : mm

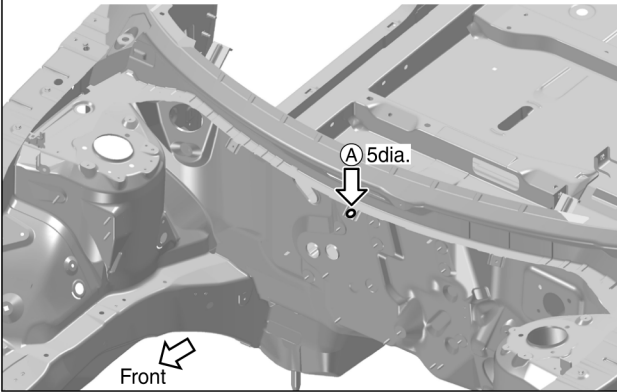


SIIA2169E

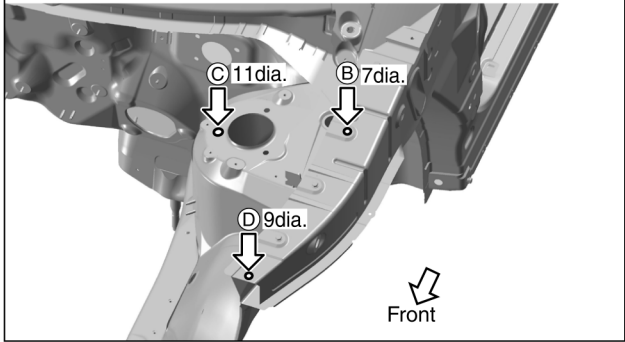
BODY REPAIR

Measurement Points

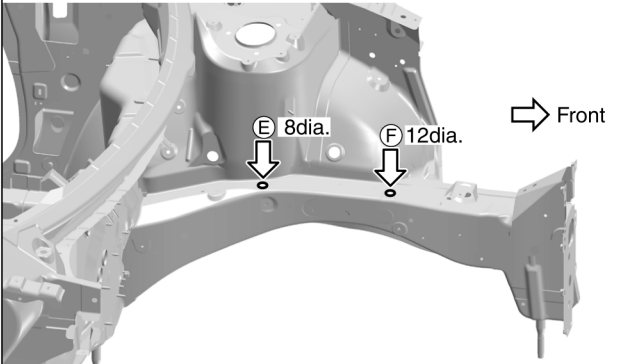
(A) : Cowl top extension installing hole center (5dia.)



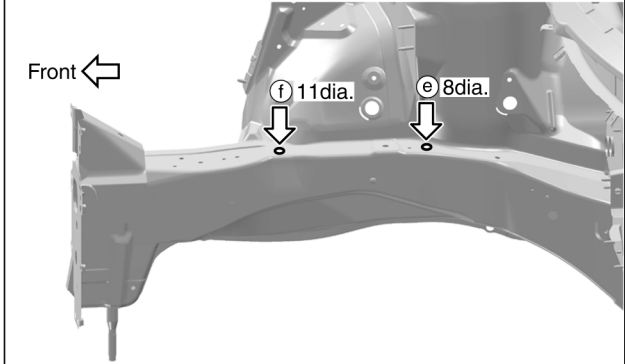
(B), (b) : Front fender installing hole center (7dia.)
 (C), (c) : Front suspension installing hole center (11dia.)
 (D), (d) : Front end module installing hole center (9dia.)



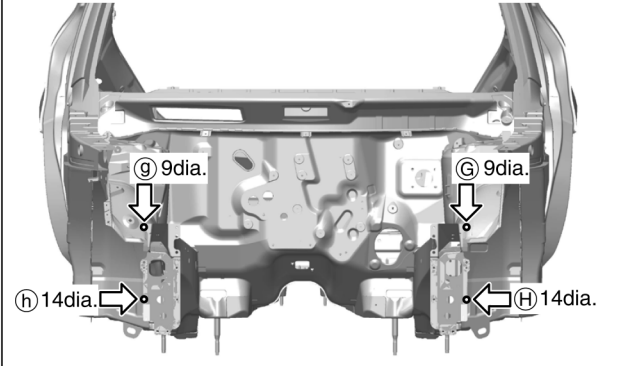
(E) : Harness clamp installing hole center (8dia.)
 (F) : Battery bracket installing hole center (12dia.)



(e) : Harness clamp installing hole center (8dia.)
 (f) : Engine mounting bracket installing hole center (11dia.)



(G), (g), (H), (h) : Front bumper stay and front end module installing hole center ((G), (g) : 9dia. , (H), (h) : 14dia.)



A
B
C
D
E
F
G
H
BL
J
K
L
M

SIIA2170E

BODY REPAIR

UNDERBODY Measurement

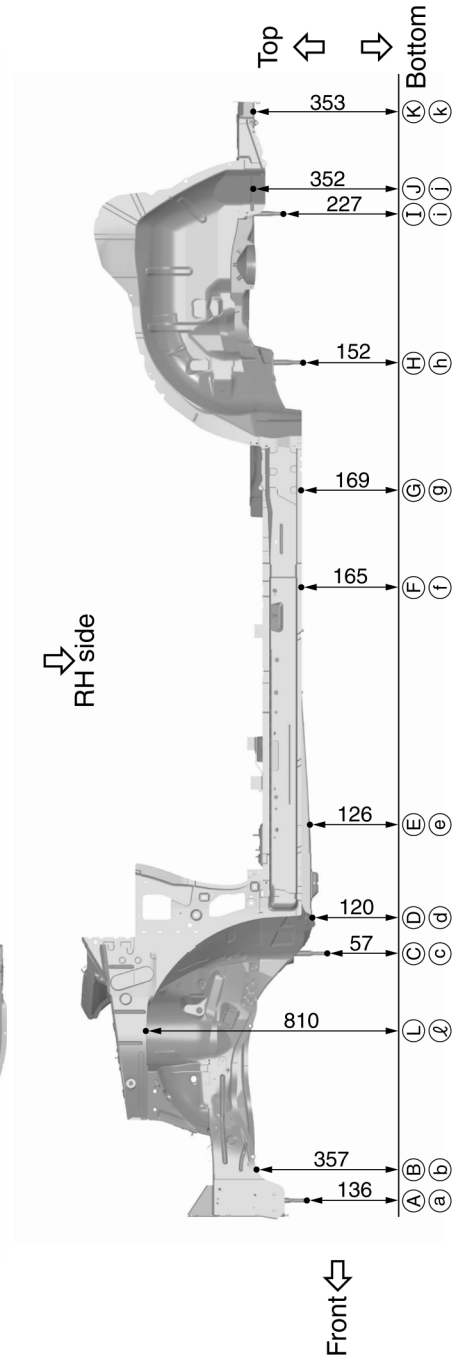
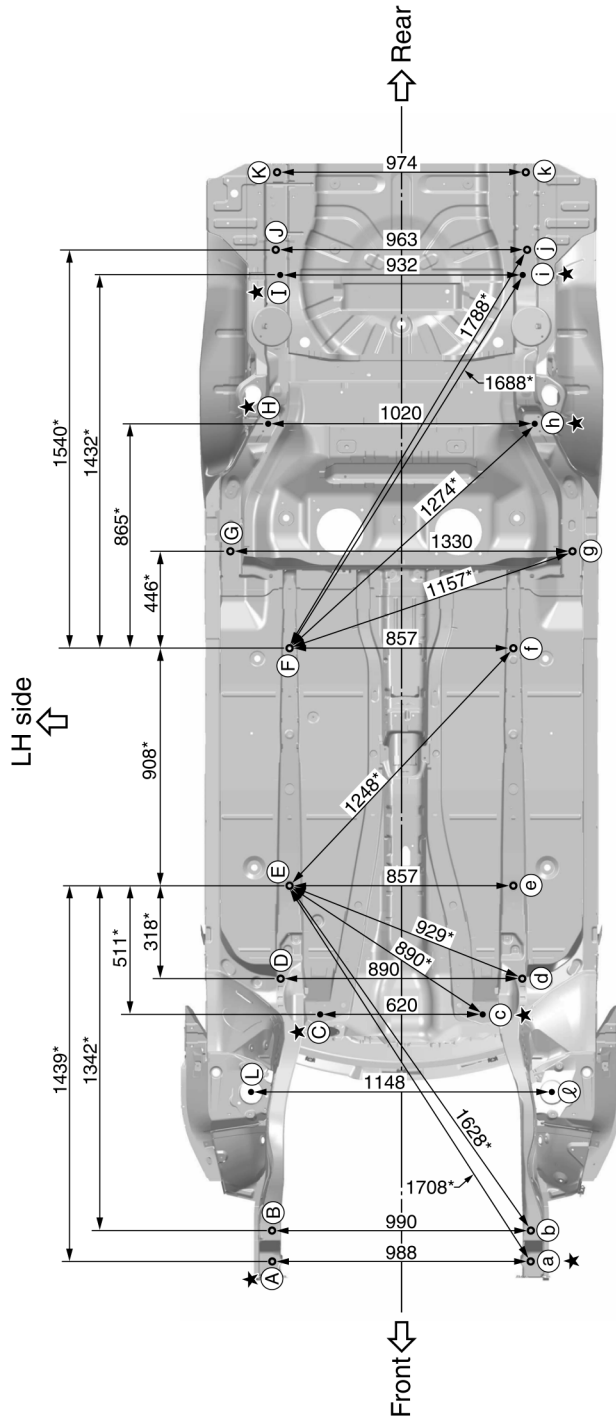
Unit : mm

Figures marked with a (*) indicate symmetrically identical dimensions on both right and left hand sides of the vehicle.

As viewed from underside.

★ : Bolt head

All dimensions indicated in this figure are actual.



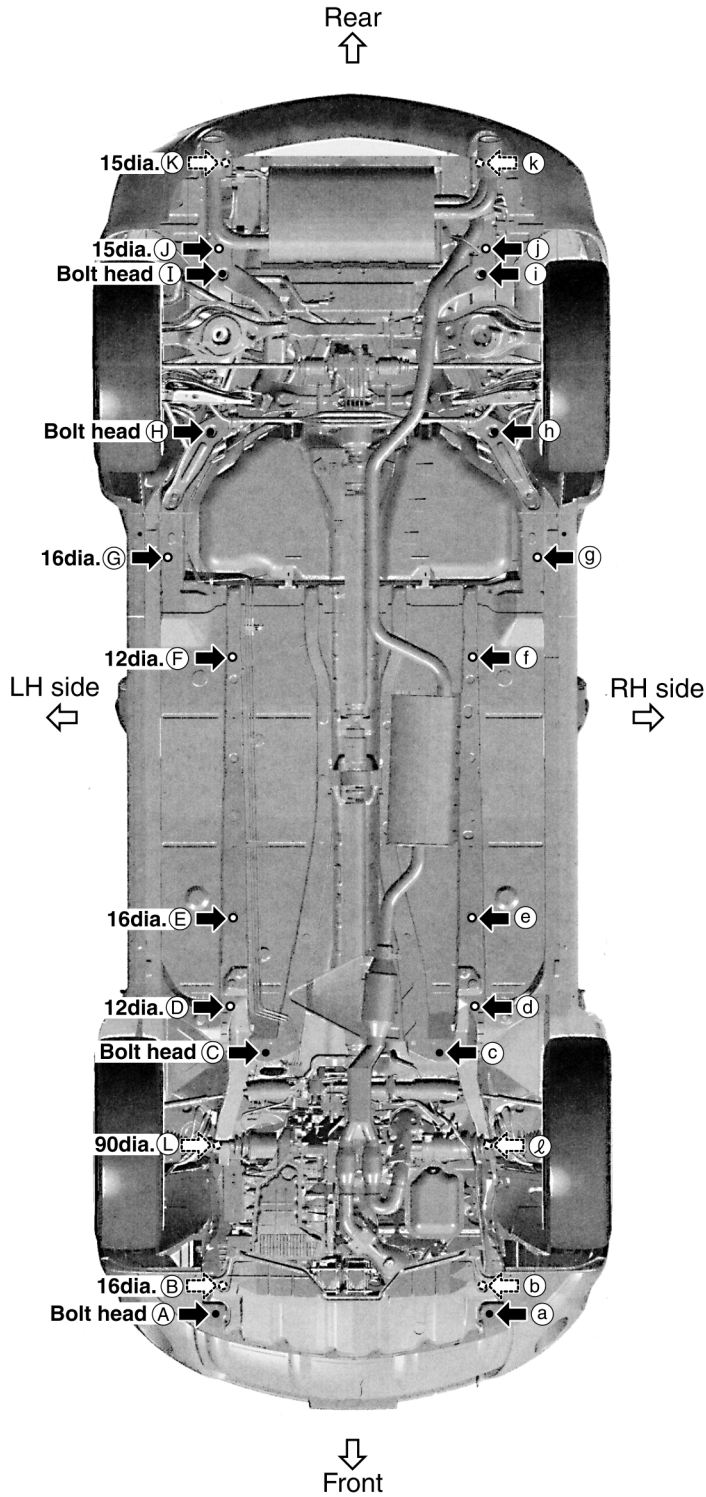
SIIA2171E

BODY REPAIR

Measurement Points

Unit : mm

As viewed from underside.



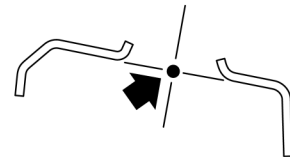
Coordinates:

(A), (a)	(G), (g)
X:494	X:665
Y:-618	Y:2105
Z:136	Z:169
(B), (b)	(H), (h)
X:495	X:510
Y:-500	Y:2588
Z:357	Z:152
(C), (c)	(I), (i)
X:310	X:466
Y:328	Y:3157
Z:57	Z:227
(D), (d)	(J), (j)
X:445	X:482
Y:503	Y:3255
Z:120	Z:352
(E), (e)	(K), (k)
X:429	X:487
Y:820	Y:3553
Z:126	Z:353
(F), (f)	
X:429	
Y:1727	
Z:165	

Front and rear strut tower centers

Coordinates:

(L), (l)
X:574
Y:32
Z:810



Front: (L), (l) 90dia.

SIIA2172E

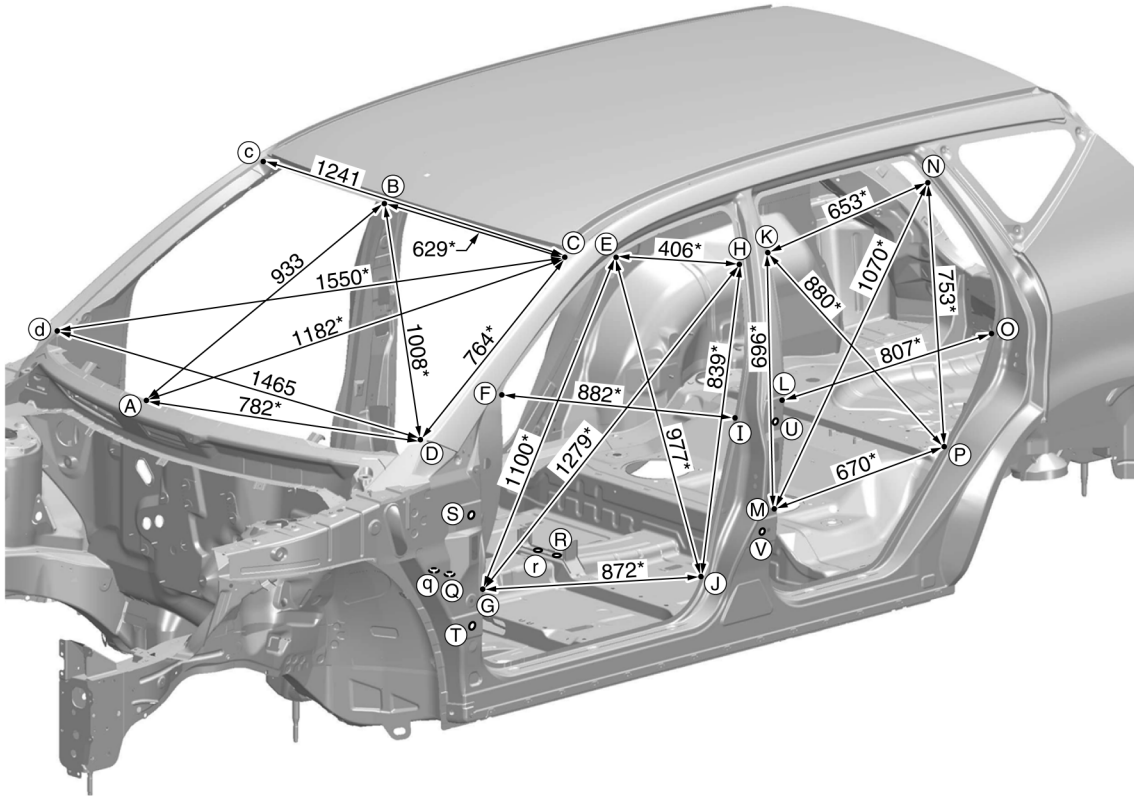
BODY REPAIR

PASSENGER COMPARTMENT

Measurement

Unit : mm

Figures marked with a (*) indicate symmetrically identical dimensions on both right and left hand sides of the vehicle.



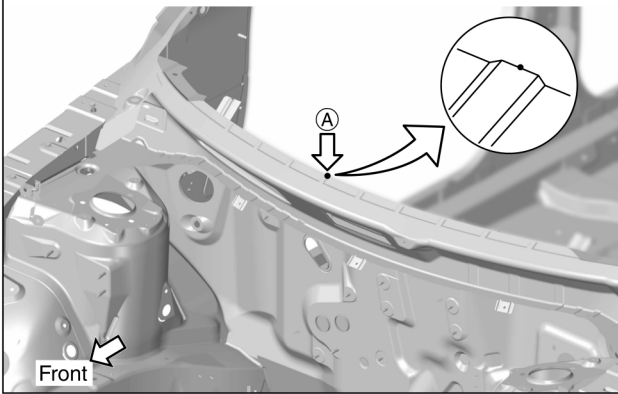
Point	Dimension	Point	Dimension	Point	Dimension
E~e	1,277	K~k	1,509*	Q~I	1,006*
E~g	1,772*	K~P	1,717*	Q~J	806*
E~h	1,407*	L~l	1,564	R~K	1,184*
E~j	1,699*	M~m	1,523	R~L	971*
F~f	1,502	M~n	1,768*	R~M	779*
G~g	1,512	M~P	1,667*	R~N	1,479*
G~h	1,946*	N~n	1,300	R~O	1,354*
G~j	1,746*	N~P	1,598*	R~P	1,118*
H~h	1,423	O~o	1,547	S~U	1,134*
H~j	1,690*	P~P	1,529	S~V	1,118*
I~i	1,561	Q~E	1,214*	T~U	1,189*
J~j	1,514	Q~F	1,105*	T~V	1,086*
K~k	1,422	Q~G	898*		
K~m	1,628*	Q~H	1,253*		

SIA2173E

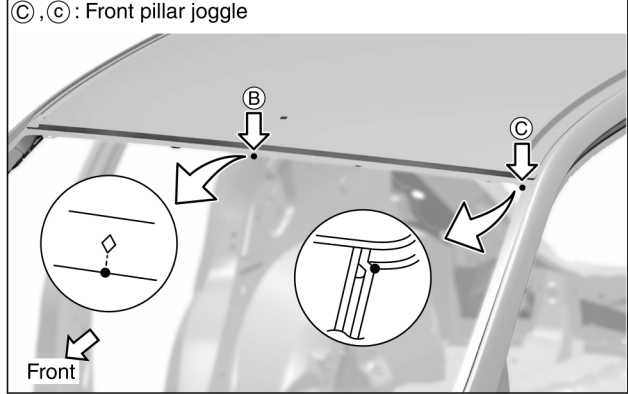
BODY REPAIR

Measurement Points

(A) : Center cowl top flange end of center positioning mark

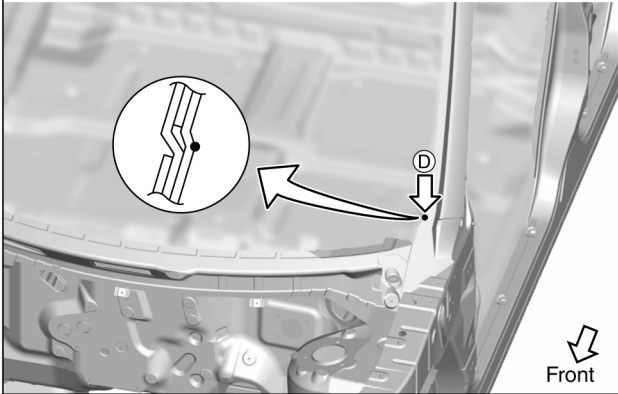


(B) : Front roof flange end of center positioning mark



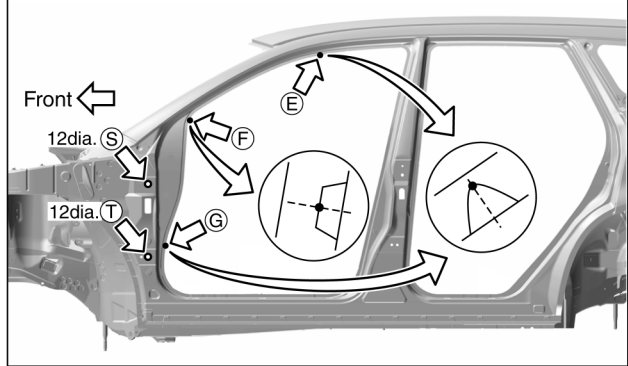
(C), (c) : Front pillar joggle

(D), (d) : Front pillar joggle

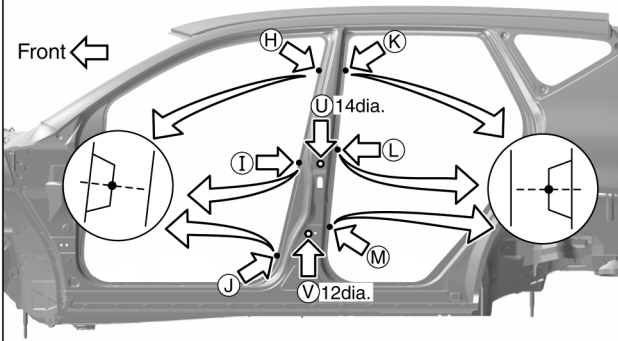


(E, e, F, f, G, g) : Front pillar indent

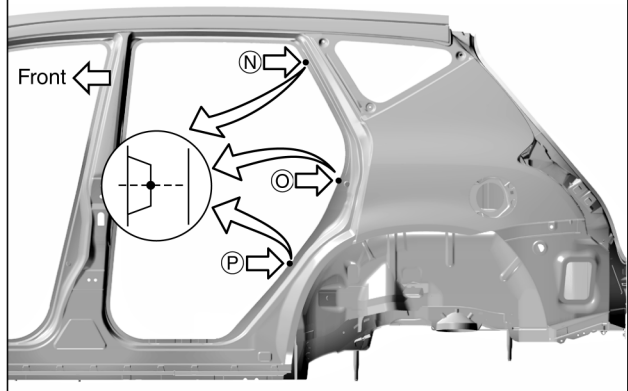
(S, s, T, t) : Door hinge installing nut center (12dia.)



(H, h, I, i, J, j, K, k, L, l, M, m) : Center pillar indent
(U, u, V, v) : Door hinge installing nut center
(U, u : 14dia., V, v : 12dia.)

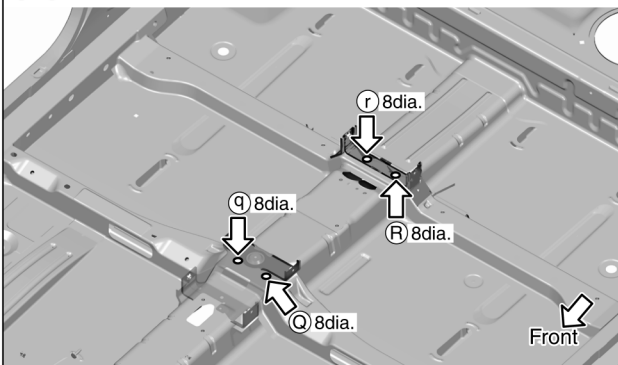


(N, n, O, o, P, p) : Rear fender indent



(Q, q) : 2ND crossmember extension hole center (8dia.)

(R, r) : Rear console bracket hole center (8dia.)



A

B

C

D

E

F

G

H

BL

J

K

L

M

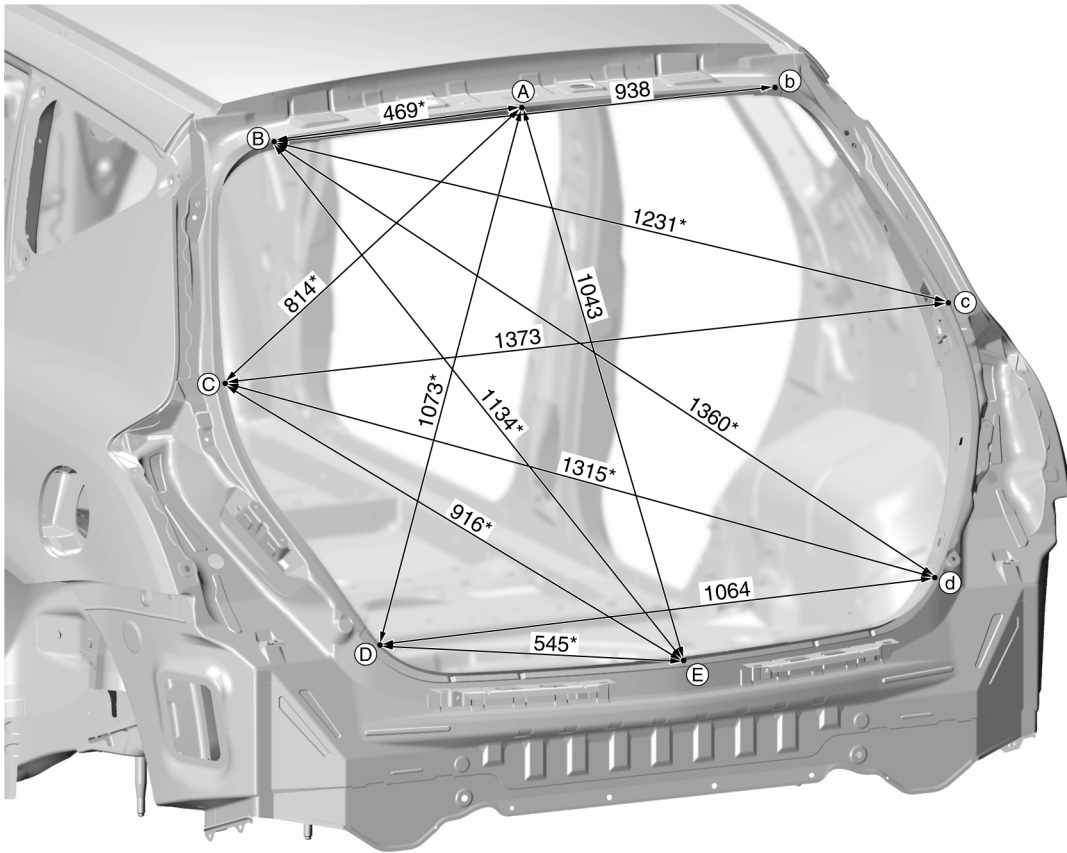
SIIA2174E

BODY REPAIR

REAR BODY Measurement

Figures marked with a (*) indicate symmetrically identical dimensions on both right and left hand sides of the vehicle.

Unit : mm

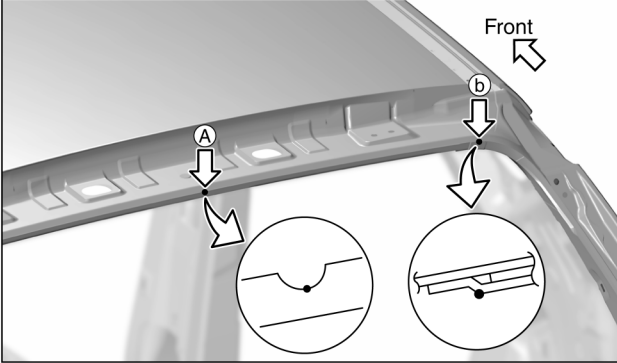


SIIA2175E

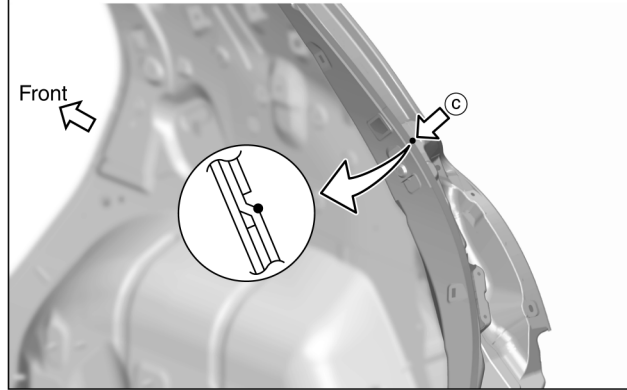
BODY REPAIR

Measurement Points

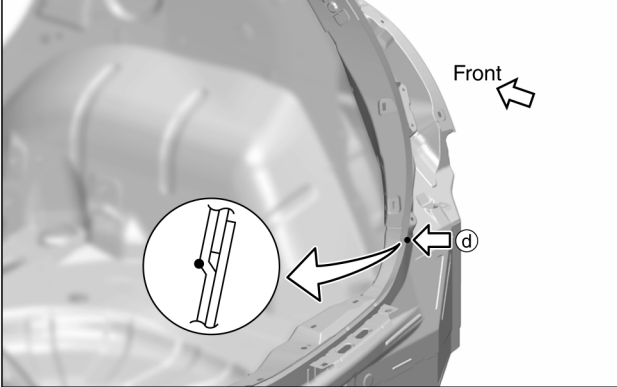
- (A) : Rear roof indent of center positioning mark
(B) , (b) : Rear roof rail brace joggle



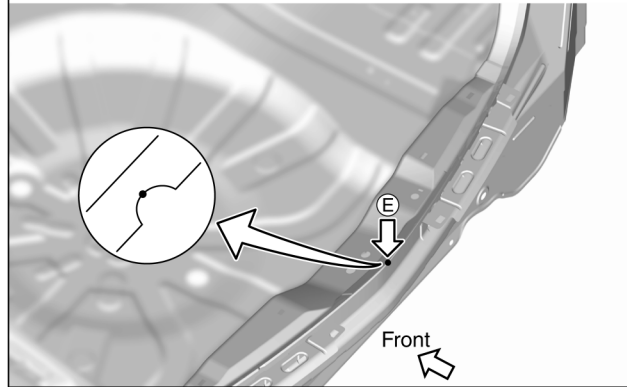
- (C) , (c) : Rear combination lamp base joggle



- (D) , (d) : Rear fender brace joggle



- (E) : Rear panel indent of center positioning mark



A

B

C

D

E

F

G

H

BL

J

K

L

M

SIIA2176E

BODY REPAIR

Handling Precautions For Plastics HANDLING PRECAUTIONS FOR PLASTICS

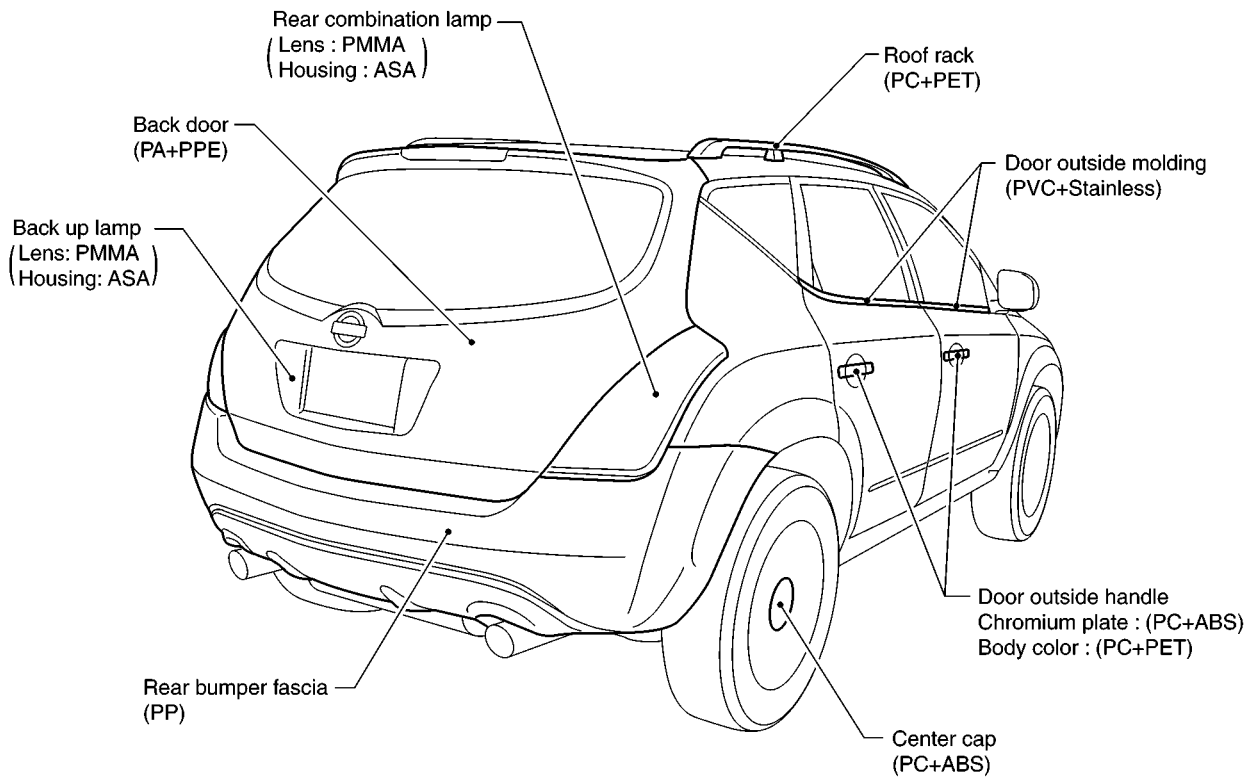
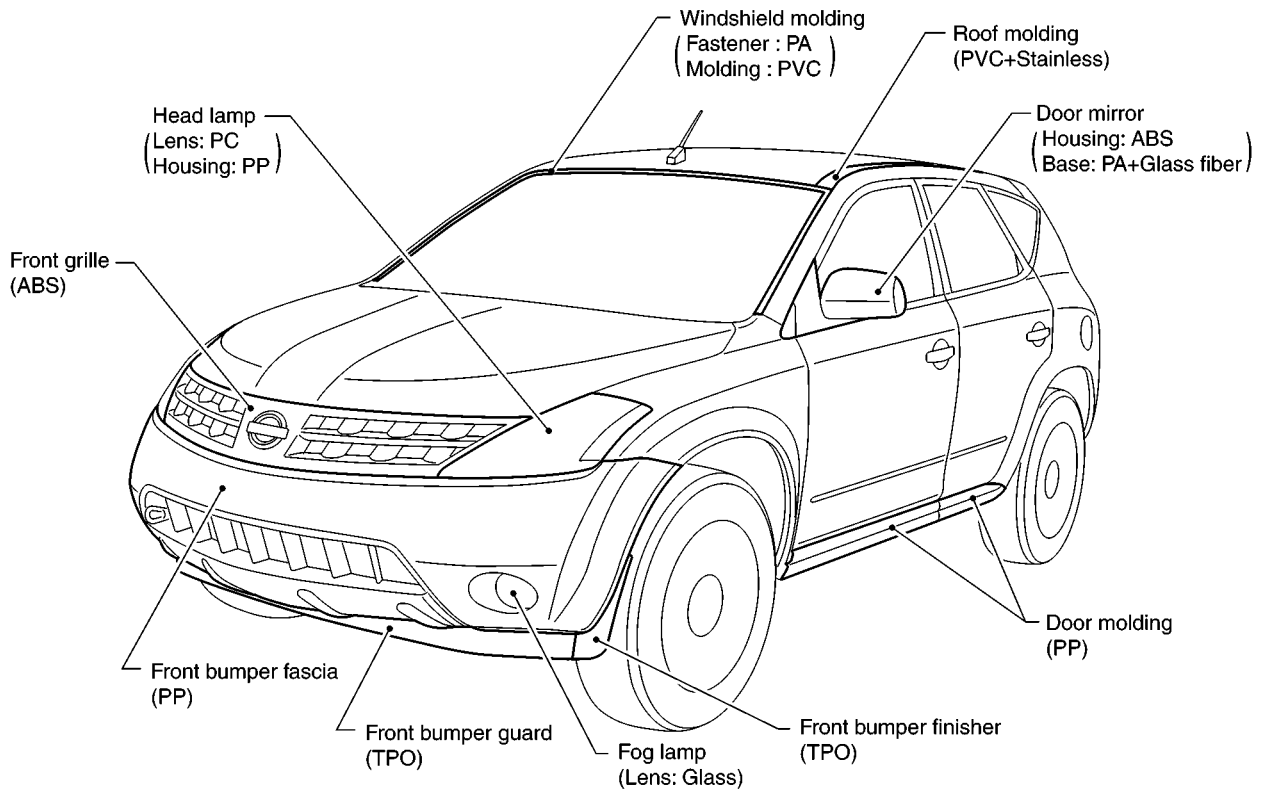
AIS001XZ

Abbreviation	Material name	Heat resisting temperature °C(°F)	Resistance to gasoline and solvents	Other cautions
PE	Polyethylene	60(140)	Gasoline and most solvents are harmless if applied for a very short time (wipe up quickly).	Flammable
PVC	Poly Vinyl Chloride	80(176)	Same as above.	Poison gas is emitted when burned.
EPM/EPDM	Ethylene Propylene (Diene) copolymer	80(176)	Same as above.	Flammable
TPO	Thermoplastic Olefine	80(176)	Same as above.	Flammable
PP	Polypropylene	90(194)	Same as above.	Flammable, avoid battery acid.
UP	Unsaturated Polyester	90(194)	Same as above.	Flammable
PS	Polystyrene	80(176)	Avoid solvents.	Flammable
ABS	Acrylonitrile Butadiene Styrene	80(176)	Avoid gasoline and solvents.	
PMMA	Poly Methyl Methacrylate	85(185)	Same as above.	
EVAC	Ethylene Vinyl Acetate	90(194)	Same as above.	
ASA	Acrylonitrile Styrene Acrylate	100(222)	Same as above.	Flammable
PPE	Poly Phenylene Ether	110(230)	Same as above.	
PC	Polycarbonate	120(248)	Same as above.	
PAR	Polyarylate	180(356)	Same as above.	
PUR	Polyurethane	90(194)	Same as above.	
POM	Poly Oxymethylene	120(248)	Same as above.	Avoid battery acid.
PBT+PC	Poly Butylene Terephthalate + Polycarbonate	120(248)	Same as above.	Flammable
PA	Polyamide	140(284)	Same as above.	Avoid immersing in water.
PBT	Poly Butylene Terephthalate	140(284)	Same as above.	
PET	Polyester	180(356)	Same as above.	
PEI	Polyetherimide	200(392)	Same as above.	

1. When repairing and painting a portion of the body adjacent to plastic parts, consider their characteristics (influence of heat and solvent) and remove them if necessary or take suitable measures to protect them.
2. Plastic parts should be repaired and painted using methods suiting the materials' characteristics.

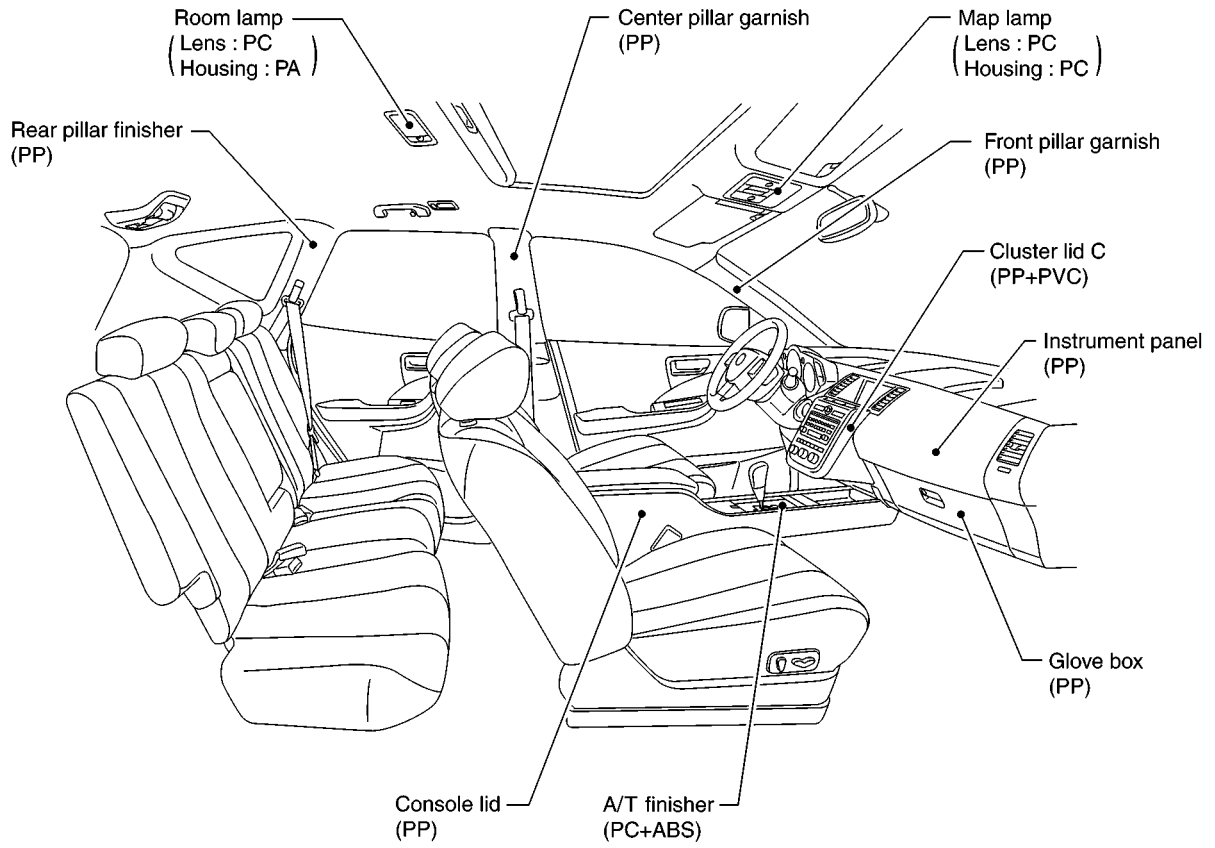
BODY REPAIR

LOCATION OF PLASTIC PARTS



SIIA2177E

BODY REPAIR



SIA2178E

BODY REPAIR

Precautions In Repairing High Strength Steel

AIS001Y0

High strength steel is used for body panels in order to reduce vehicle weight. Accordingly, precautions in repairing automotive bodies made of high strength steel are described below:

HIGH STRENGTH STEEL (HSS) USED IN NISSAN VEHICLES

Tensile strength	Nissan/Infiniti designation	Major applicable parts
373 N/mm ² (38kg/mm ² ,54klb/sq in)	SP130	<ul style="list-style-type: none">● Front & rear side member assembly● Hoodledge assembly● Lower dash● Hood● Other reinforcements

SP130 is the most commonly used HSS.

SP150 HSS is used only on parts that require much more strength.

A

B

C

D

E

F

G

H

BL

J

K

L

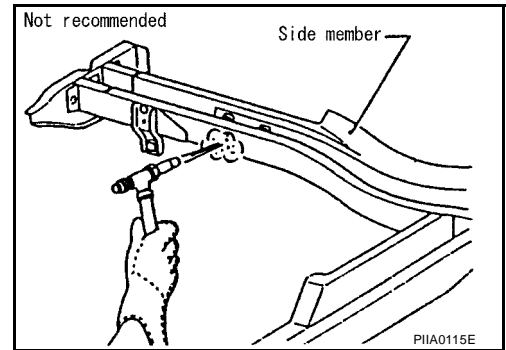
M

BODY REPAIR

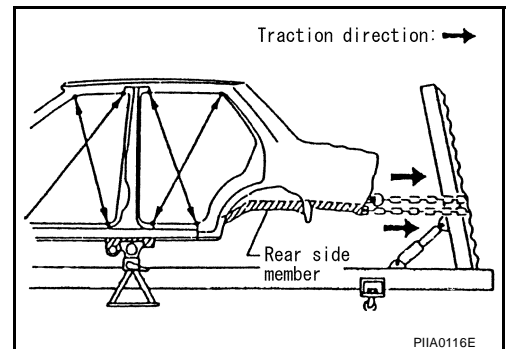
Read the Following Precautions When Repairing HSS:

1. Additional points to consider

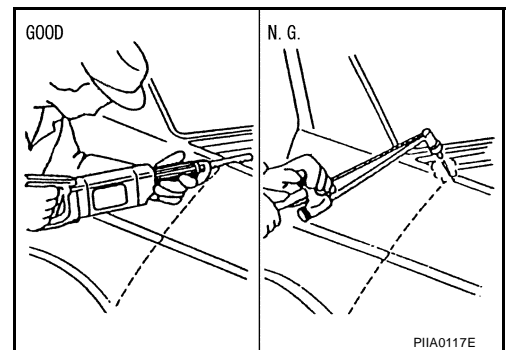
- The repair of reinforcements (such as side members) by heating is not recommended since it may weaken the component. When heating is unavoidable, do not heat HSS parts above 550°C (1,022°F). Verify heating temperature with a thermometer. (Crayon-type and other similar type thermometer are appropriate.)



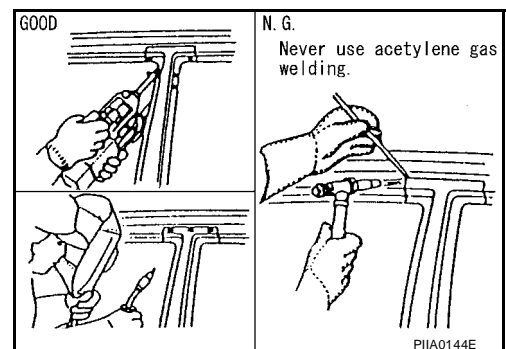
- When straightening body panels, use caution in pulling any HSS panel. Because HSS is very strong, pulling may cause deformation in adjacent portions of the body. In this case, increase the number of measuring points, and carefully pull the HSS panel.



- When cutting HSS panels, avoid gas (torch) cutting if possible. Instead, use a saw to avoid weakening surrounding areas due to heat. If gas (torch) cutting is unavoidable, allow a minimum margin of 50 mm (1.97in).

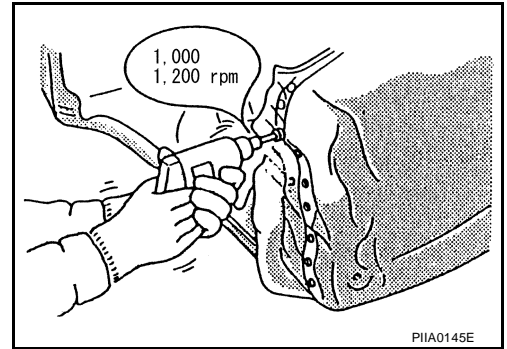


- When welding HSS panels, use spot welding whenever possible in order to minimize weakening surrounding areas due to heat. If spot welding is impossible, use M.I.G. welding. Do not use gas (torch) welding because it is inferior in welding strength.



BODY REPAIR

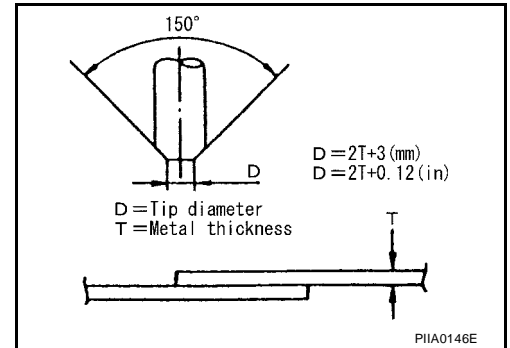
- The spot weld on HSS panels is harder than that of an ordinary steel panel.
Therefore, when cutting spot welds on a HSS panel, use a low speed high torque drill (1,000 to 1,200 rpm) to increase drill bit durability and facilitate the operation.



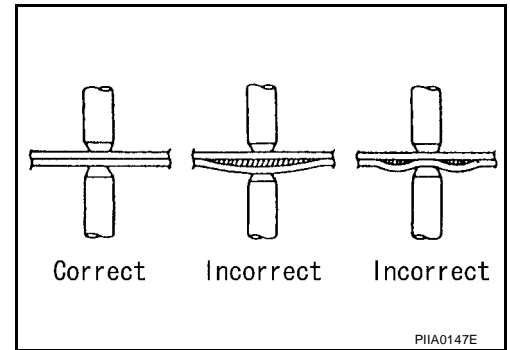
2. Precautions in spot welding HSS

This work should be performed under standard working conditions. Always note the following when spot welding HSS:

- The electrode tip diameter must be sized properly according to the metal thickness.



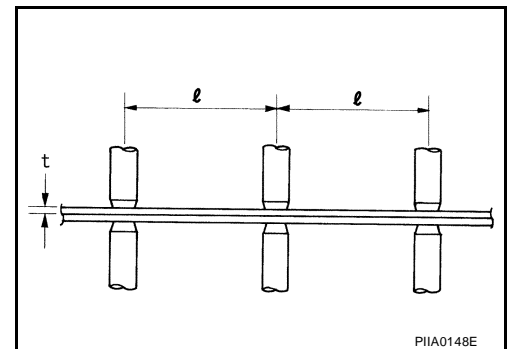
- The panel surfaces must fit flush to each other, leaving no gaps.



- Follow the specifications for the proper welding pitch.

Unit: mm

Thickness (t)	Minimum pitch (l)
0.6 (0.024)	10 (0.39) or over
0.8 (0.031)	12 (0.47) or over
1.0 (0.039)	18 (0.71) or over
1.2 (0.047)	20 (0.79) or over
1.6 (0.063)	27 (1.06) or over
1.8 (0.071)	31 (1.22) or over



A
B
C
D
E
F
G
H
BL
J
K
L
M

BODY REPAIR

Replacement Operations

AIS001Y1

DESCRIPTION


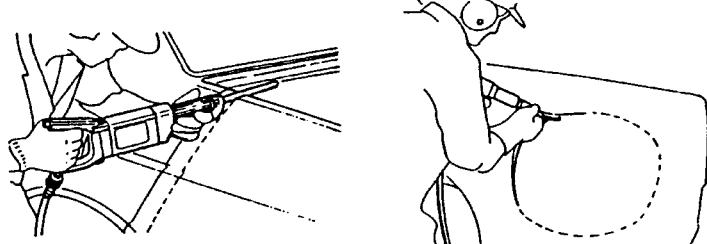

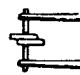

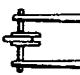

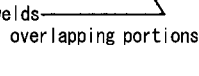
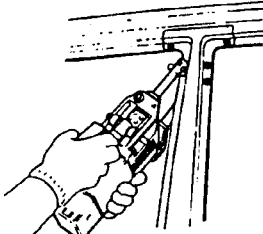

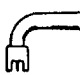
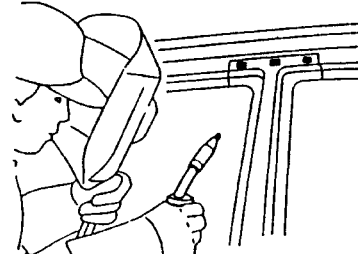

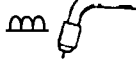




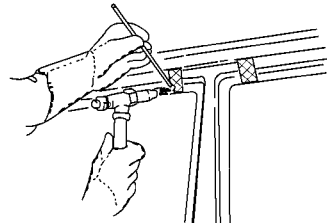

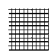

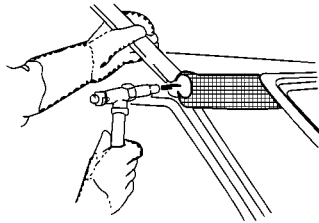

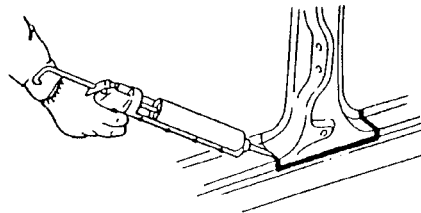
This section is prepared for technicians who have attained a high level of skill and experience in repairing collision-damaged vehicles and also use modern service tools and equipment. Persons unfamiliar with body repair techniques should not attempt to repair collision-damaged vehicles by using this section.

Technicians are also encouraged to read Body Repair Manual (Fundamentals) in order to ensure that the original functions and quality of the vehicle can be maintained. The Body Repair Manual (Fundamentals) contains additional information, including cautions and warning, that are not including in this manual. Technicians should refer to both manuals to ensure proper repairs.

Please note that these information are prepared for worldwide usage, and as such, certain procedures might not apply in some regions or countries.

BODY REPAIR

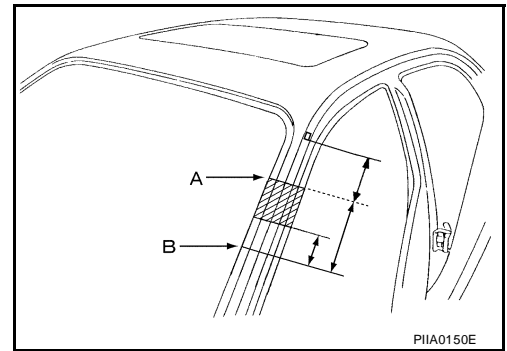
The symbols used in this section for cutting and welding / brazing operations are shown below.

 <p>Saw cut or air chisel cut</p>		
<p>Spot weld</p> <p>●●●● 2-spot welds</p>   <p>●●●●● 3-spot welds</p>  	<p>2-spot welds (2-panel overlapping portions)</p>  <p>3-spot welds (3-panel overlapping portions)</p> 	
<p>■ ■ ■ ■</p> <p>MIG plug weld</p>  		
 <p>MIG seam weld/ Point weld</p> 		
 <p>Brazing</p>  		
 <p>Soldering</p>  		
<p>Sealing</p> 		

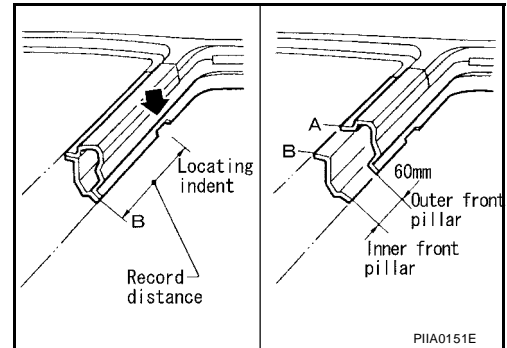
A
B
C
D
E
F
G
H
BL
J
K
L
M

BODY REPAIR

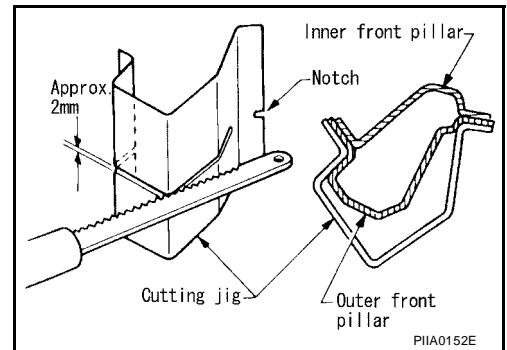
- Front pillar butt joint can be determined anywhere within shaded area as shown in the figure. The best location for the butt joint is at position A due to the construction of the vehicle. Refer to the front pillar section.



- Determine cutting position and record distance from the locating indent. Use this distance when cutting the service part. Cut outer front pillar over 60 mm above inner front pillar cut position.

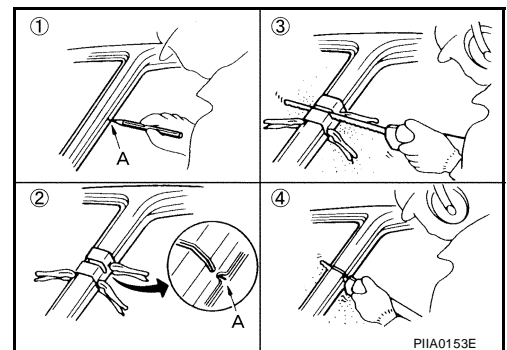


- Prepare a cutting jig to make outer pillar easier to cut. Also, this will permit service part to be accurately cut at joint position.



- An example of cutting operation using a cutting jig is as follows.

1. Mark cutting lines.
A: Cut position of outer pillar
B: Cut position of inner pillar
2. Align cutting line with notch on jig. Clamp jig to pillar.
3. Cut outer pillar along groove of jig. (At position A)
4. Remove jig and cut remaining portions.
5. Cut inner pillar at position B in same manner.

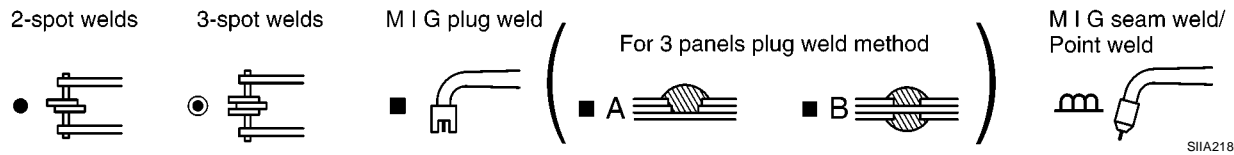
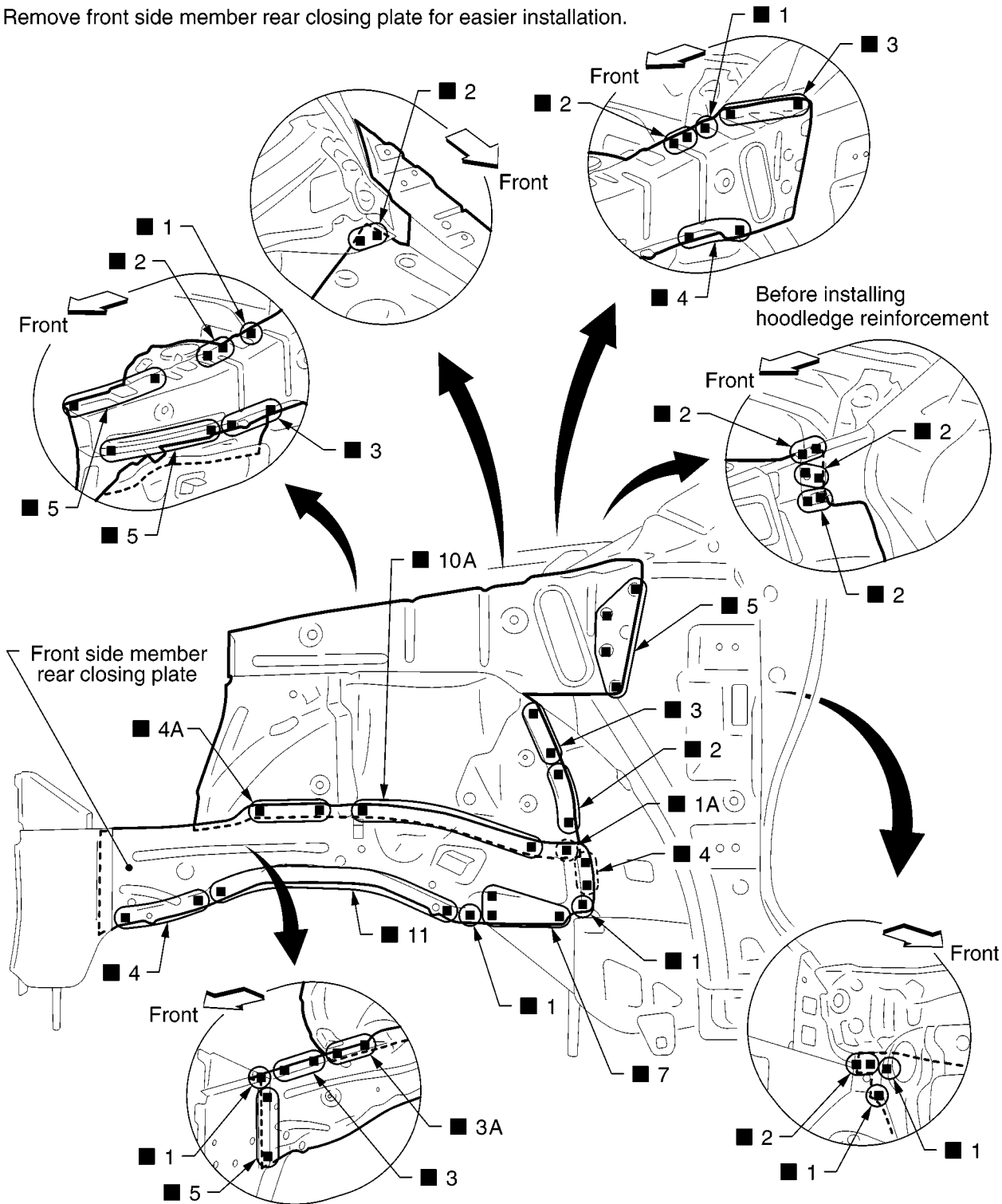


BODY REPAIR

HOODLEDGE

Service Joint

Remove front side member rear closing plate for easier installation.



Change parts

● Hoodledge assembly (LH)

● Hoodledge reinforcement (LH)

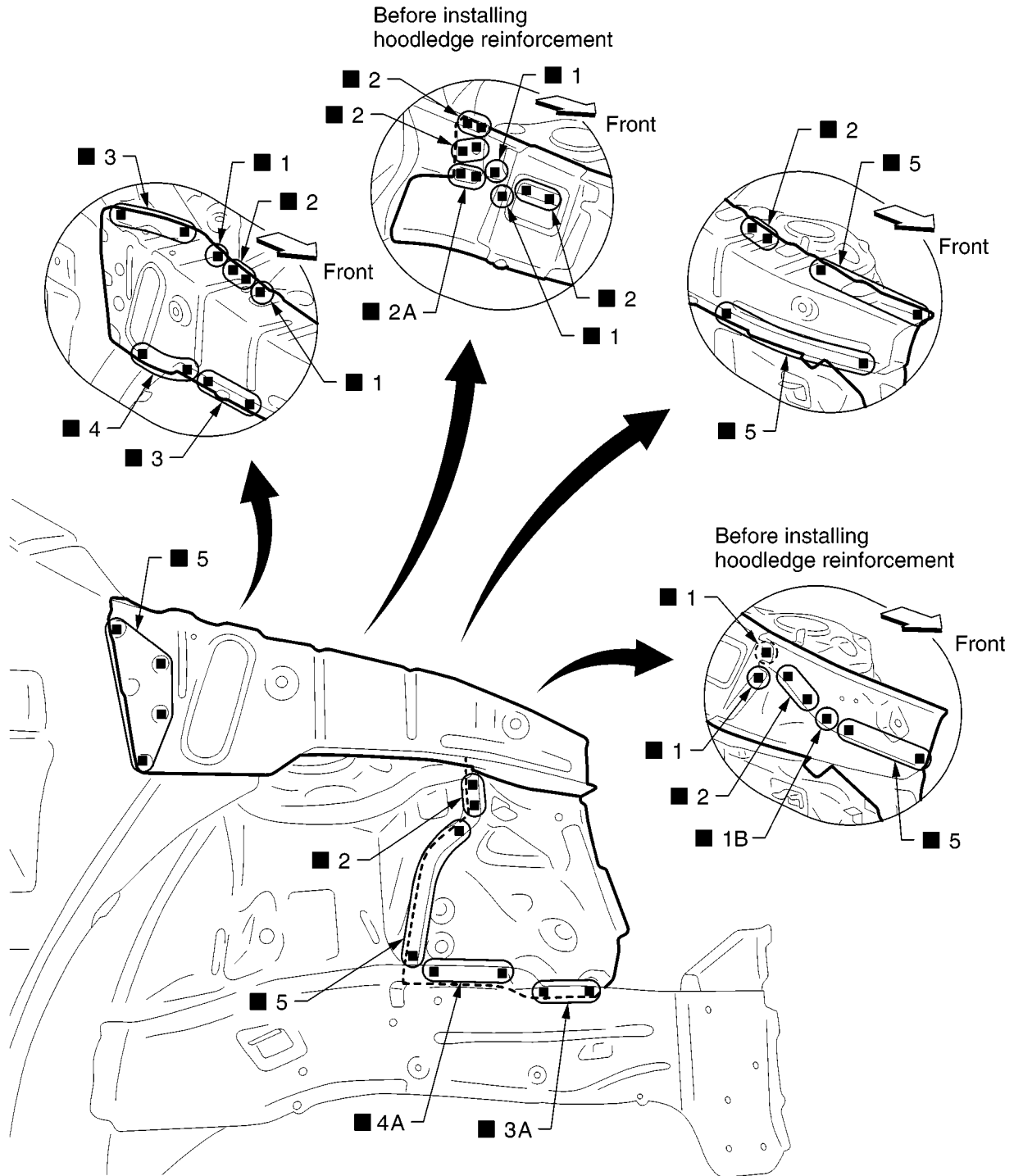
A
B
C
D
E
F
G
H
BL
J
K
L
M

BODY REPAIR

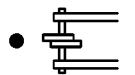
HOODLEDGE (PARTIAL REPLACEMENT)

Service Joint

(This figure shows right side hoodledge)



2-spot welds



3-spot welds



M I G plug weld



For 3 panels plug weld method



M I G seam weld/
Point weld



SIIA2181E

Change parts

● Upper hoodledge (RH)

● Lower front hoodledge (RH)

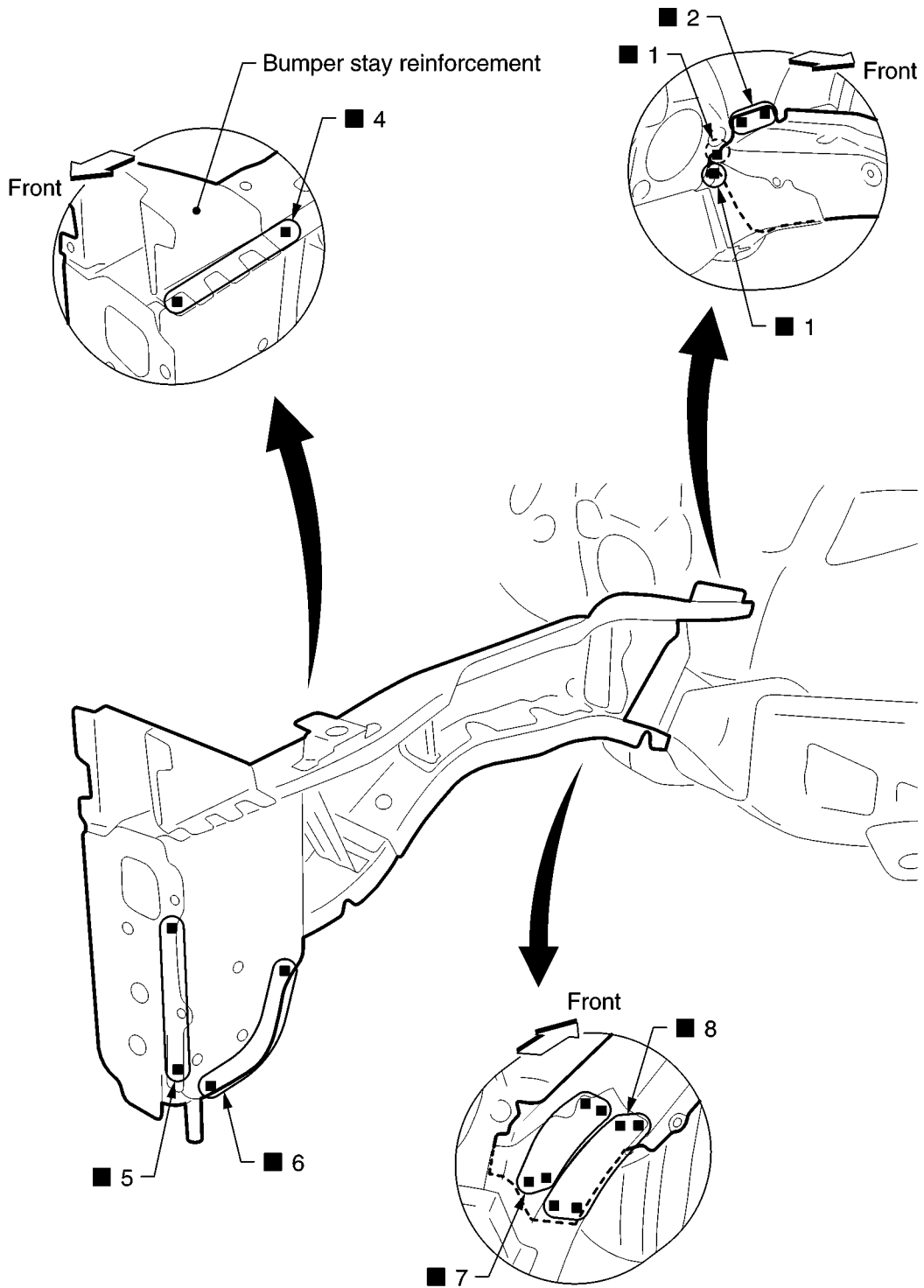
● Hoodledge reinforcement (RH)

BODY REPAIR

FRONT SIDE MEMBER

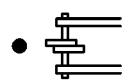
- Work after hoodledge has been removed.

Service Joint



Unit:mm

2-spot welds



3-spot welds



M I G plug weld



For 3 panels plug weld method



M I G seam weld/
Point weld



SIIA2182E

A
B
C
D
E
F
G
H
BL
J
K
L
M

BODY REPAIR

Change parts

- Front side member (LH)
- Front side member closing plate assembly (LH)

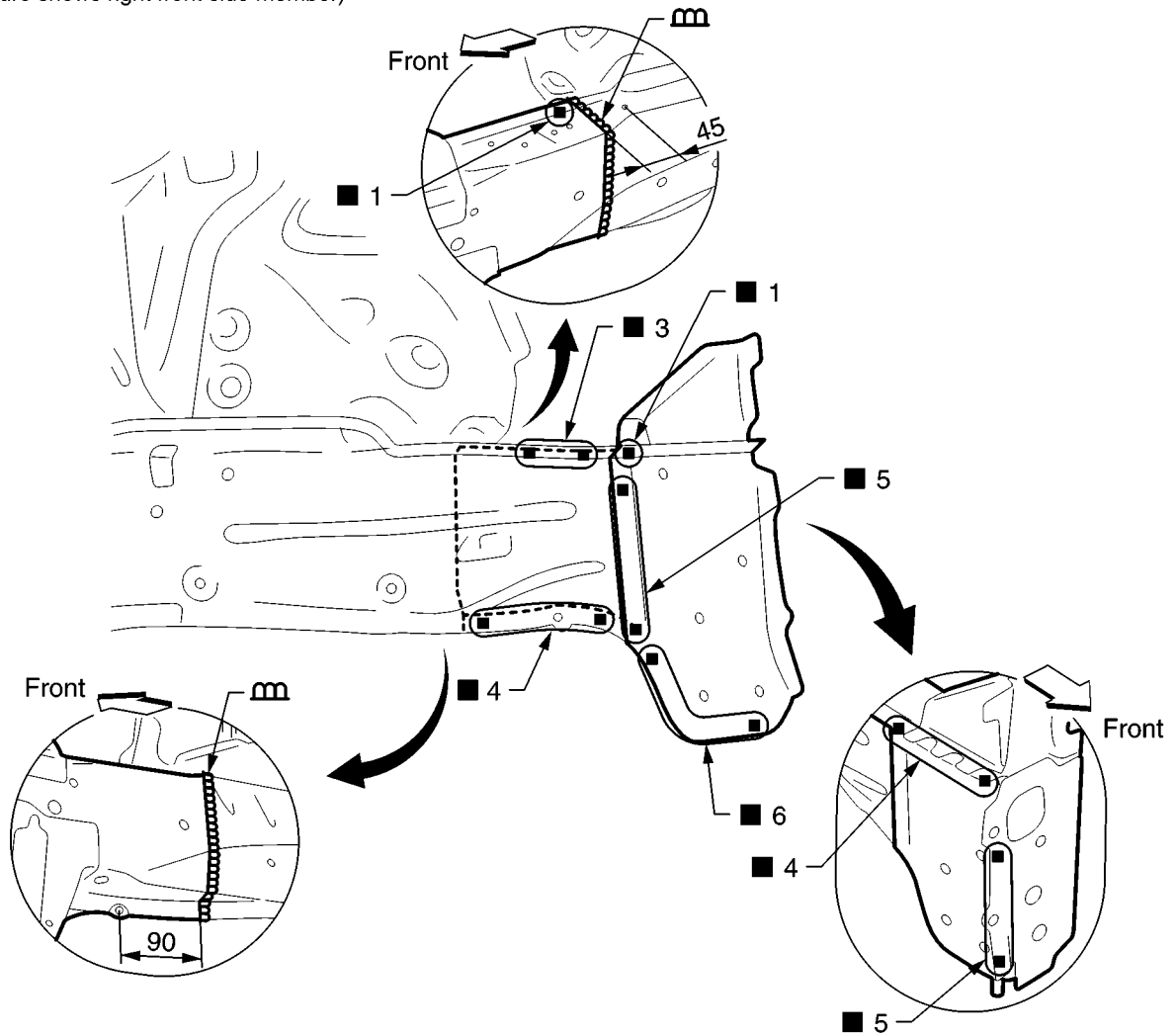
BODY REPAIR

FRONT SIDE MEMBER (PARTIAL REPLACEMENT)

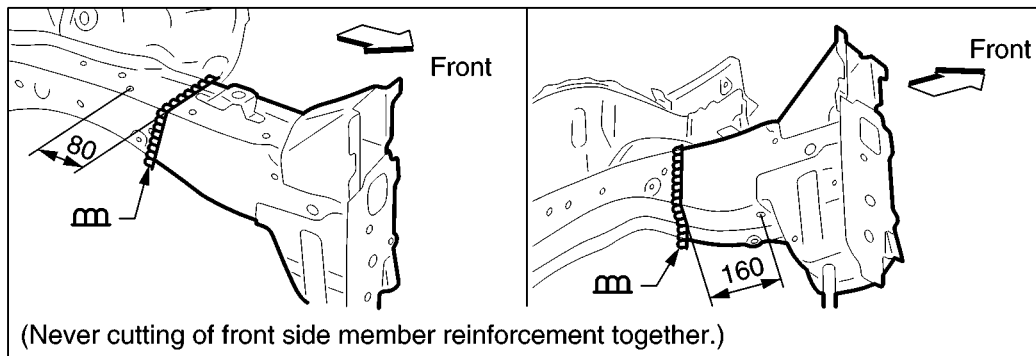
A
B
C
D
E
F
G
H
BL
J
K
L
M

Service Joint

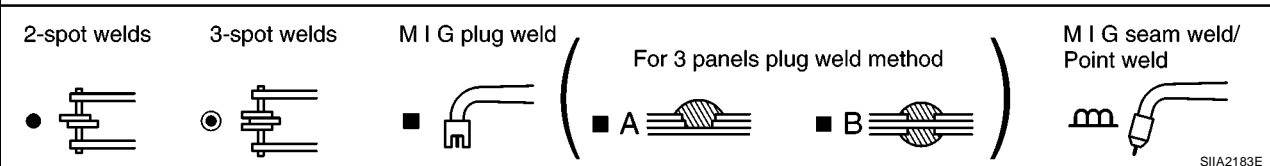
(This figure shows right front side member)



- Left front side member cut portion.
- Repairing of front side member on left side is for only front side member.



Unit:mm



SIA2183E

Change parts

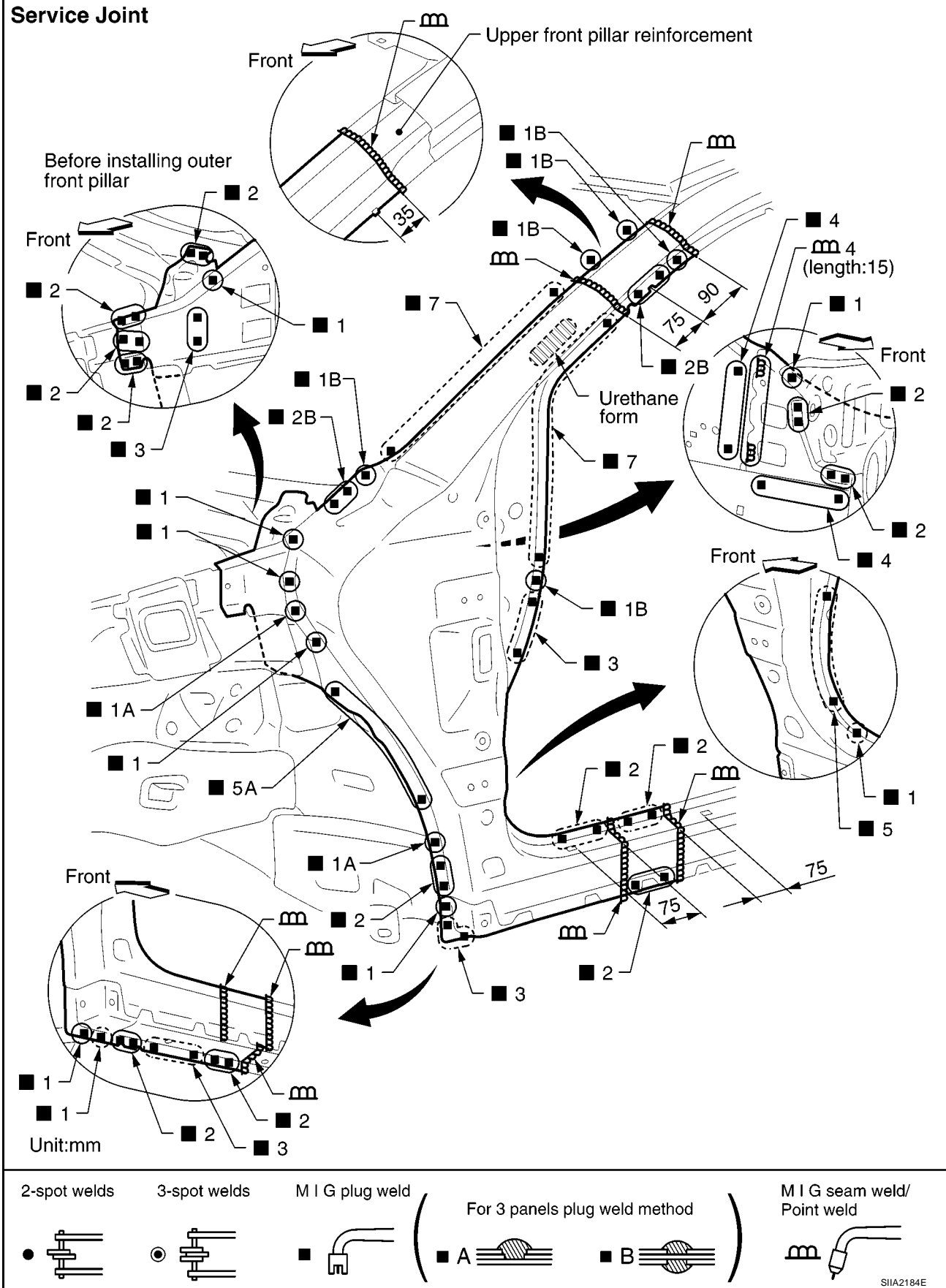
- Front side member (RH)
- Front side member front closing plate (RH)

BODY REPAIR

FRONT PILLAR

- Work after hoodledge reinforcement has been removed.

Service Joint



BODY REPAIR

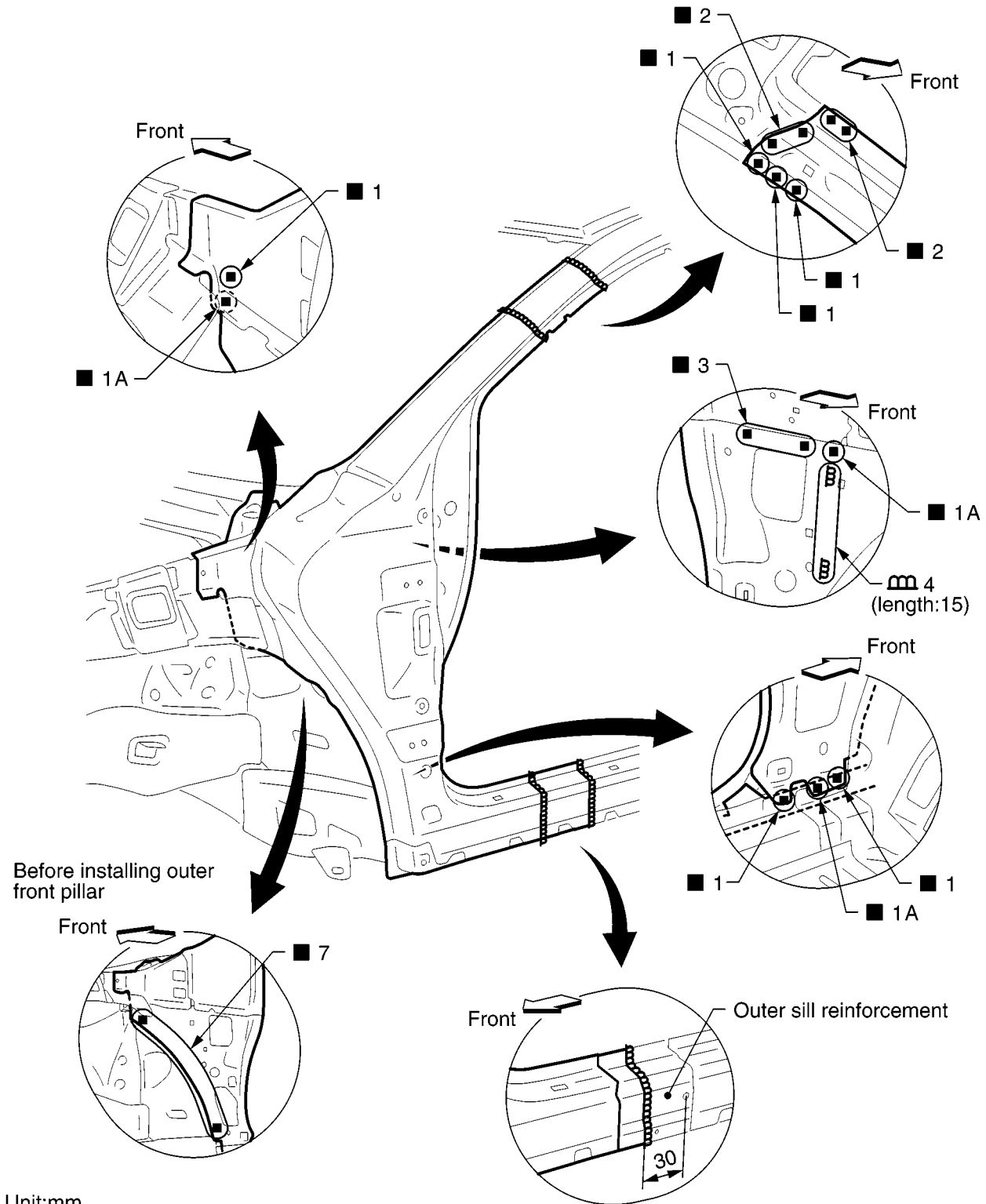
Change parts

● Side body assembly (LH)

● Inner side roof rail (LH)

● Side dash (LH)

Service Joint



Unit:mm

2-spot welds



3-spot welds



MIG plug weld



For 3 panels plug weld method



MIG seam weld/
Point weld



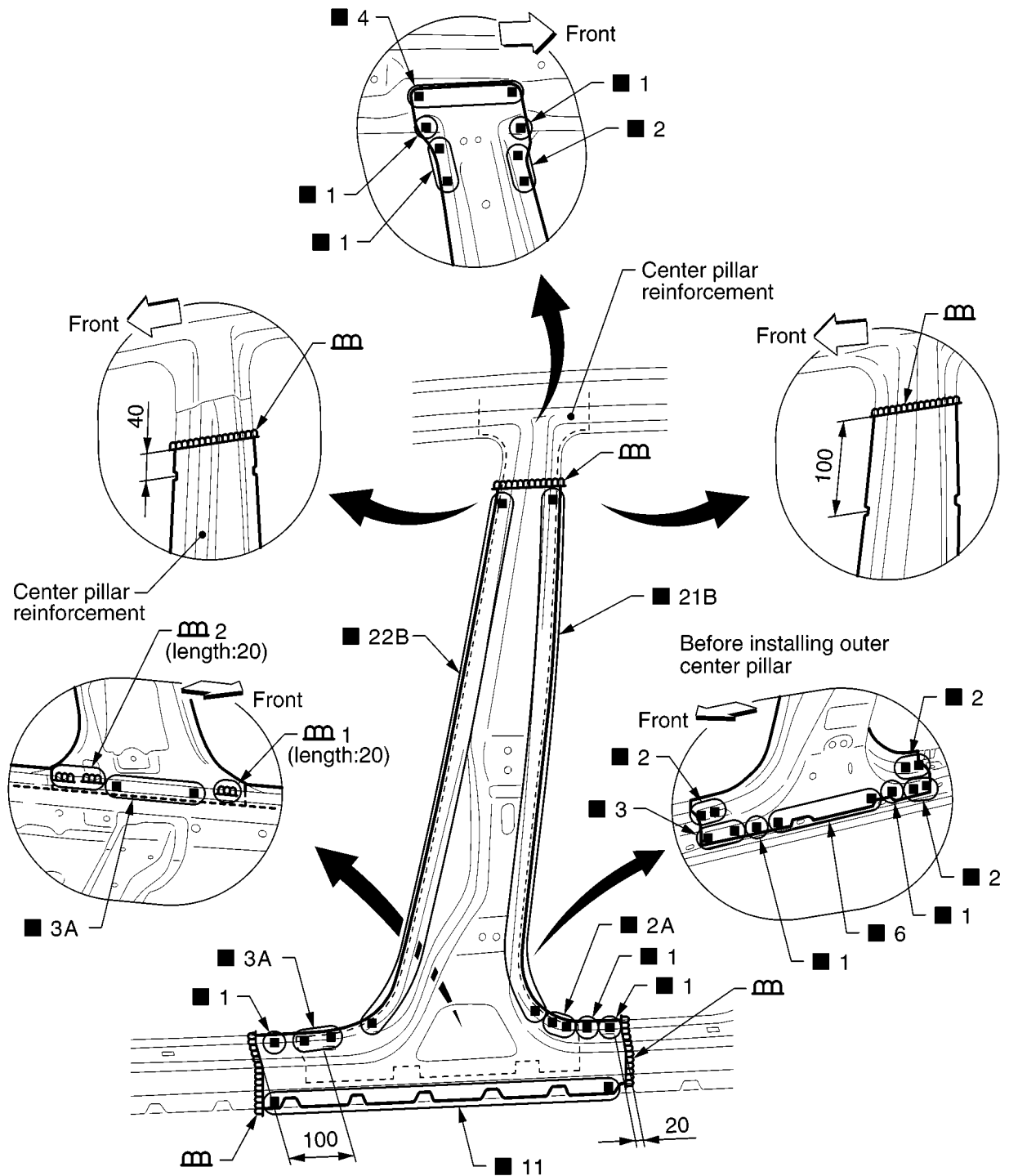
SIIA2185E

A
B
C
D
E
F
G
H
BL
J
K
L
M

BODY REPAIR

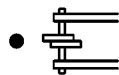
CENTER PILLAR

Service Joint

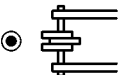


Unit:mm

2-spot welds



3-spot welds



M I G plug weld



For 3 panels plug weld method



M I G seam weld/
Point weld



SIA2186E

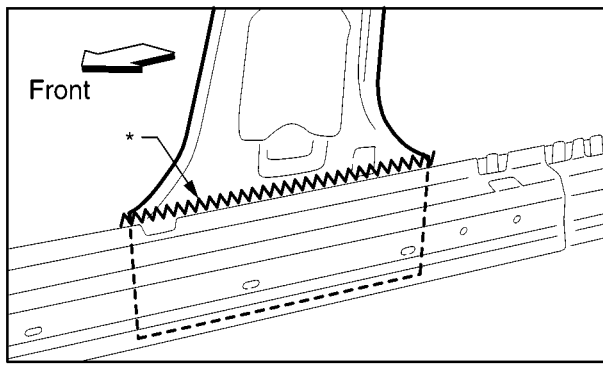
Change parts

● Side body assembly (LH)

● Inner center pillar (LH)

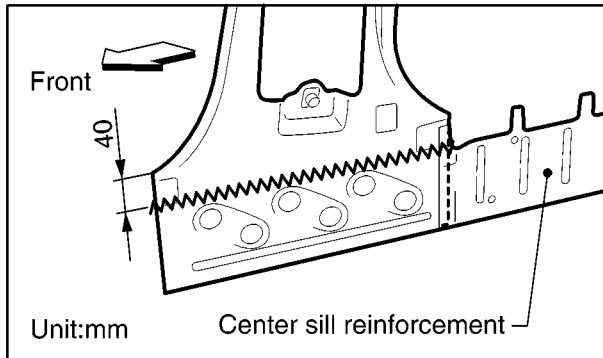
BODY REPAIR

A
B
C
D
E
F
G
H
BL
J
K
L
M



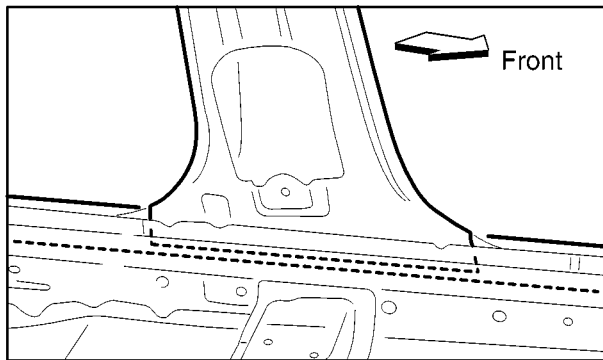
REMOVAL NOTES

- Cut off inner center pillar along with outer sill reinforcement frange end (Position "*" as shown in the left figure.)



INSTALLATION NOTES

- Remove center sill reinforcement from inner center pillar service part, then cut off inner center pillar service part as shown in the left figure.



- Install inner center pillar service part by putting between inner sill and outer sill reinforcement, then do M.I.G seam welding and M.I.G plug welding.

Unit:mm

2-spot welds



3-spot welds



M I G plug weld



For 3 panels plug weld method



M I G seam weld/
Point weld

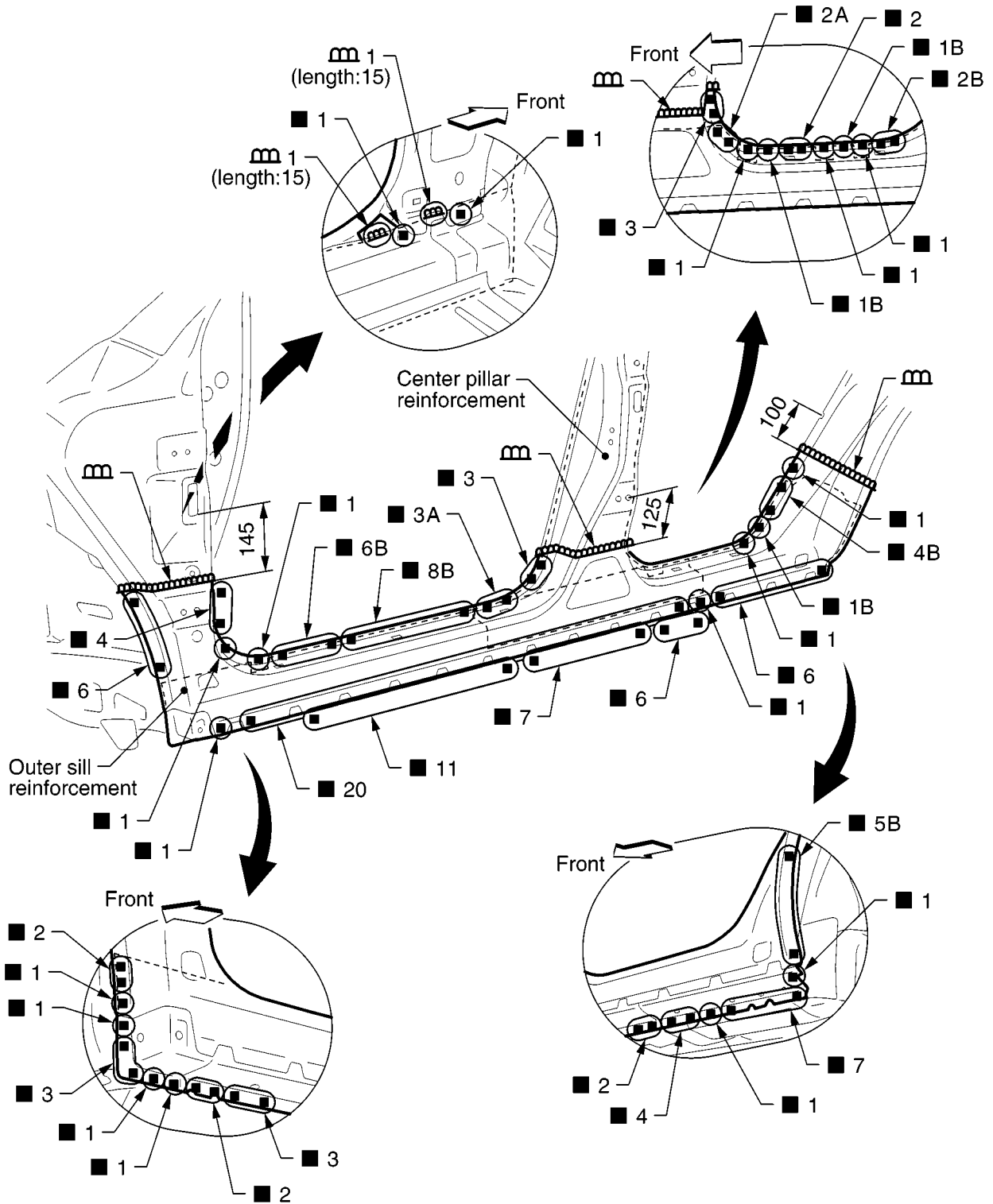


SIIA2187E

BODY REPAIR

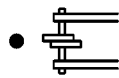
OUTER SILL

Service Joint

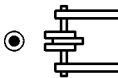


Unit:mm

2-spot welds



3-spot welds



M I G plug weld



For 3 panels plug weld method



M I G seam weld/
Point weld



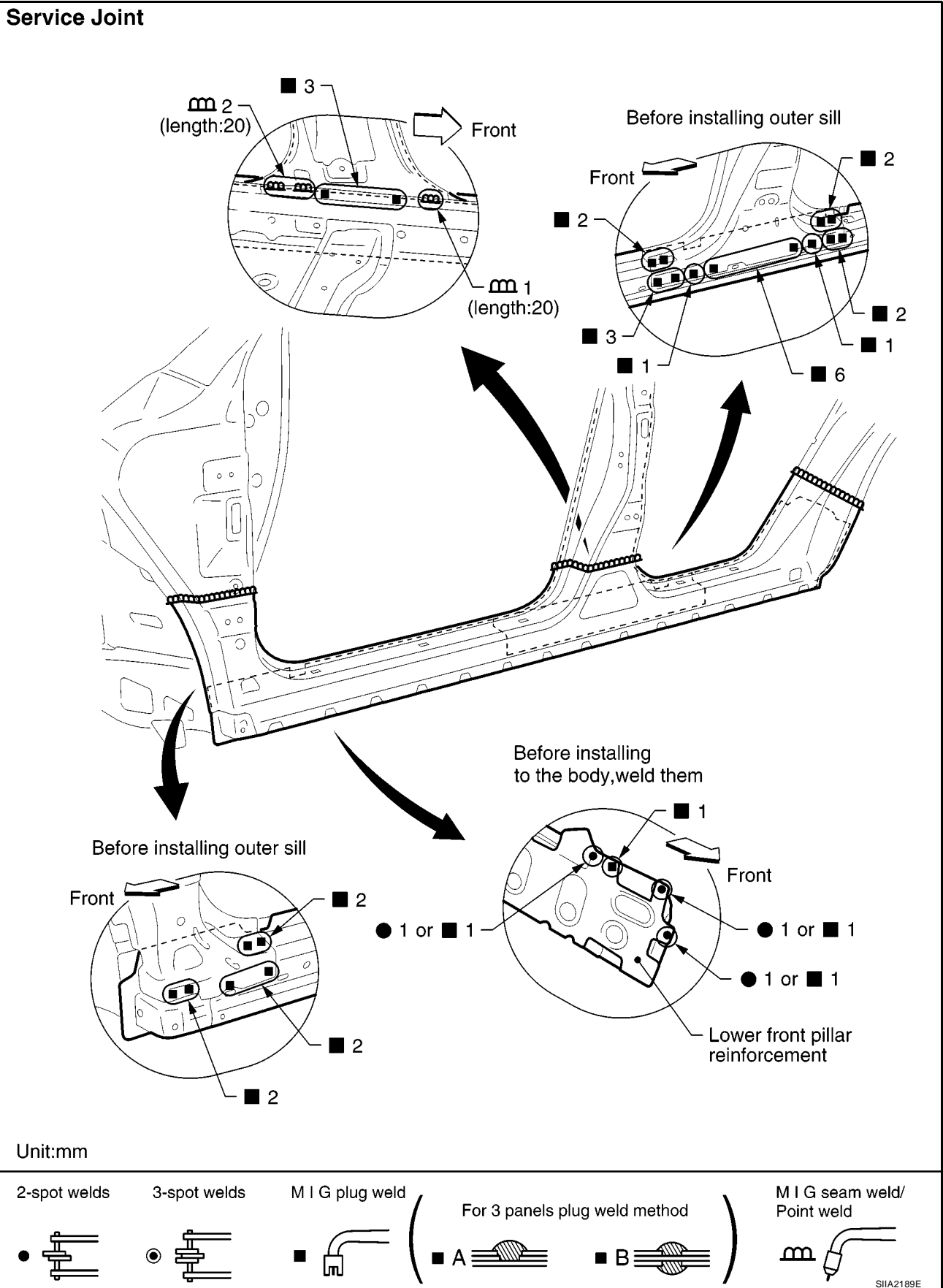
SIA2188E

Change parts

BODY REPAIR

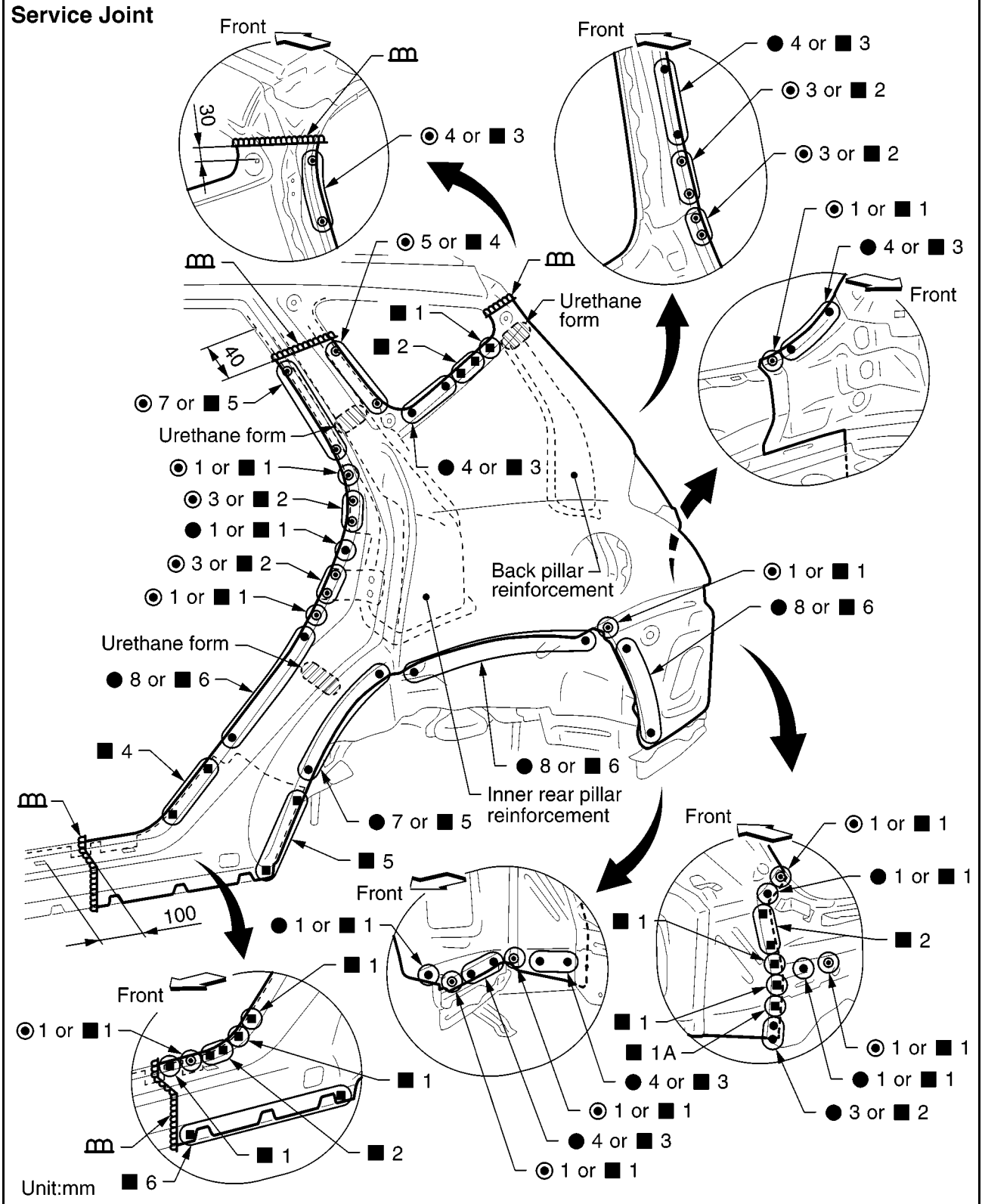
- Outer sill (LH)
- Outer sill reinforcement assembly (LH)
- Lower front pillar reinforcement (LH)
- Rear outer sill reinforcement (LH)

A
B
C
D
E
F
G
H
BL
J
K
L
M



BODY REPAIR

REAR FENDER

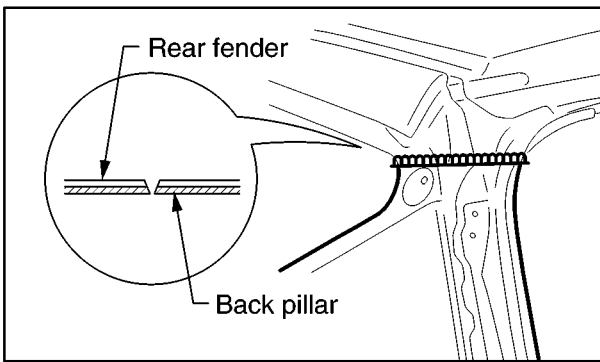


2-spot welds	3-spot welds	MIG plug weld	For 3 panels plug weld method		MIG seam weld/ Point weld
●	◎	■	■ A	■ B	m

Change parts
 ● Rear fender assembly (LH)

BODY REPAIR

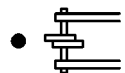
A
B
C
D
E
F
G
H
BL
J
K
L
M



INSTALLATION NOTES

- As shown in the left figure, make "V" shape with rear fender and back pillar by using an air grinder or air belt sander.
- Weld surface on rear fender assembly service parts by M.I.G seam welding.

2-spot welds



3-spot welds



M I G plug weld



For 3 panels plug weld method



M I G seam weld/
Point weld



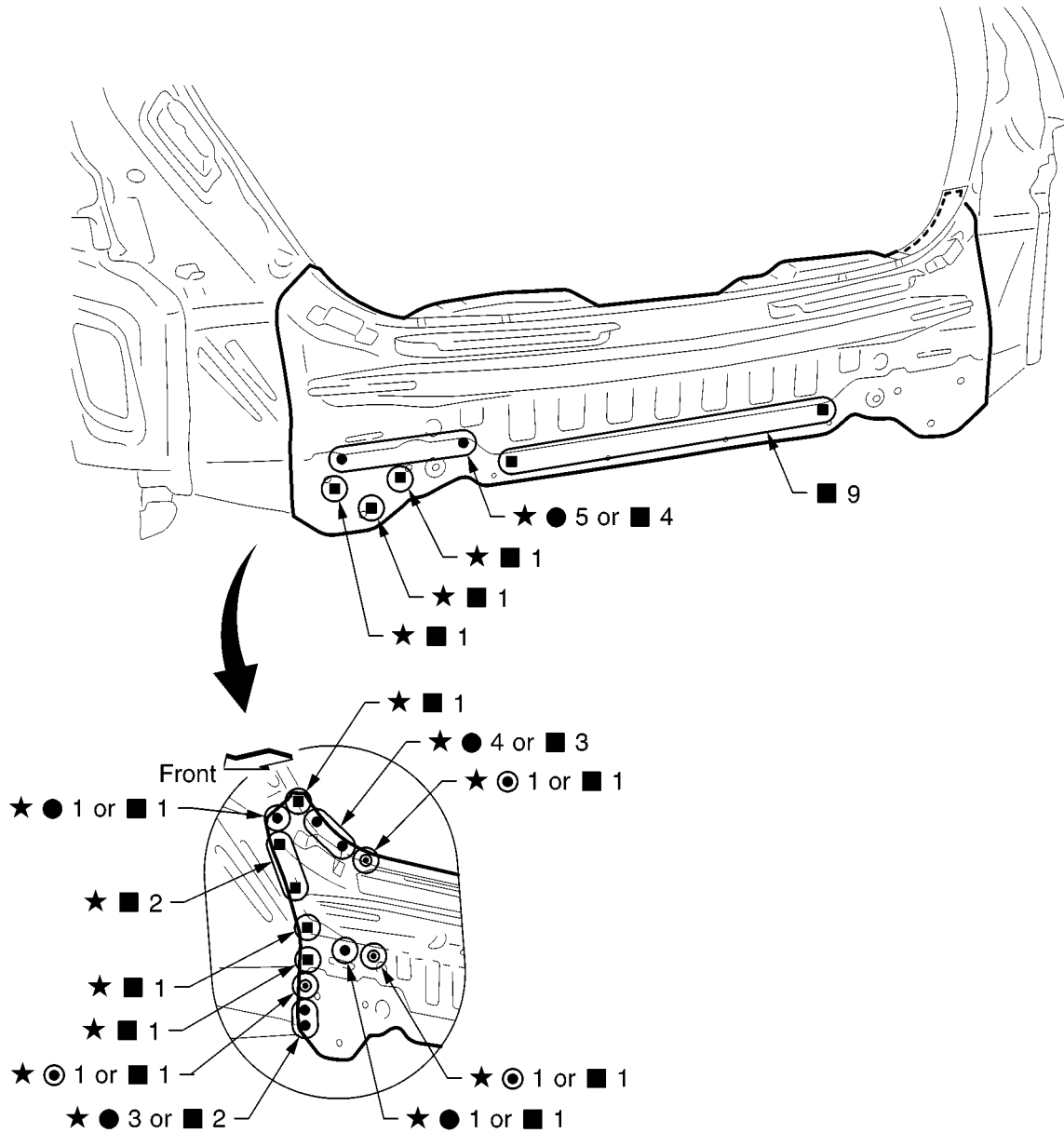
SIIA2191E

BODY REPAIR

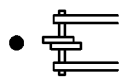
REAR PANEL

Service Joint

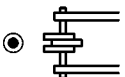
★ indicates that there is an equivalent welding portion with the same dimensions on the opposite side.



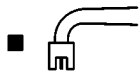
2-spot welds



3-spot welds



M I G plug weld



For 3 panels plug weld method



M I G seam weld/
Point weld



SIIA2192E

Change parts

- Rear panel assembly

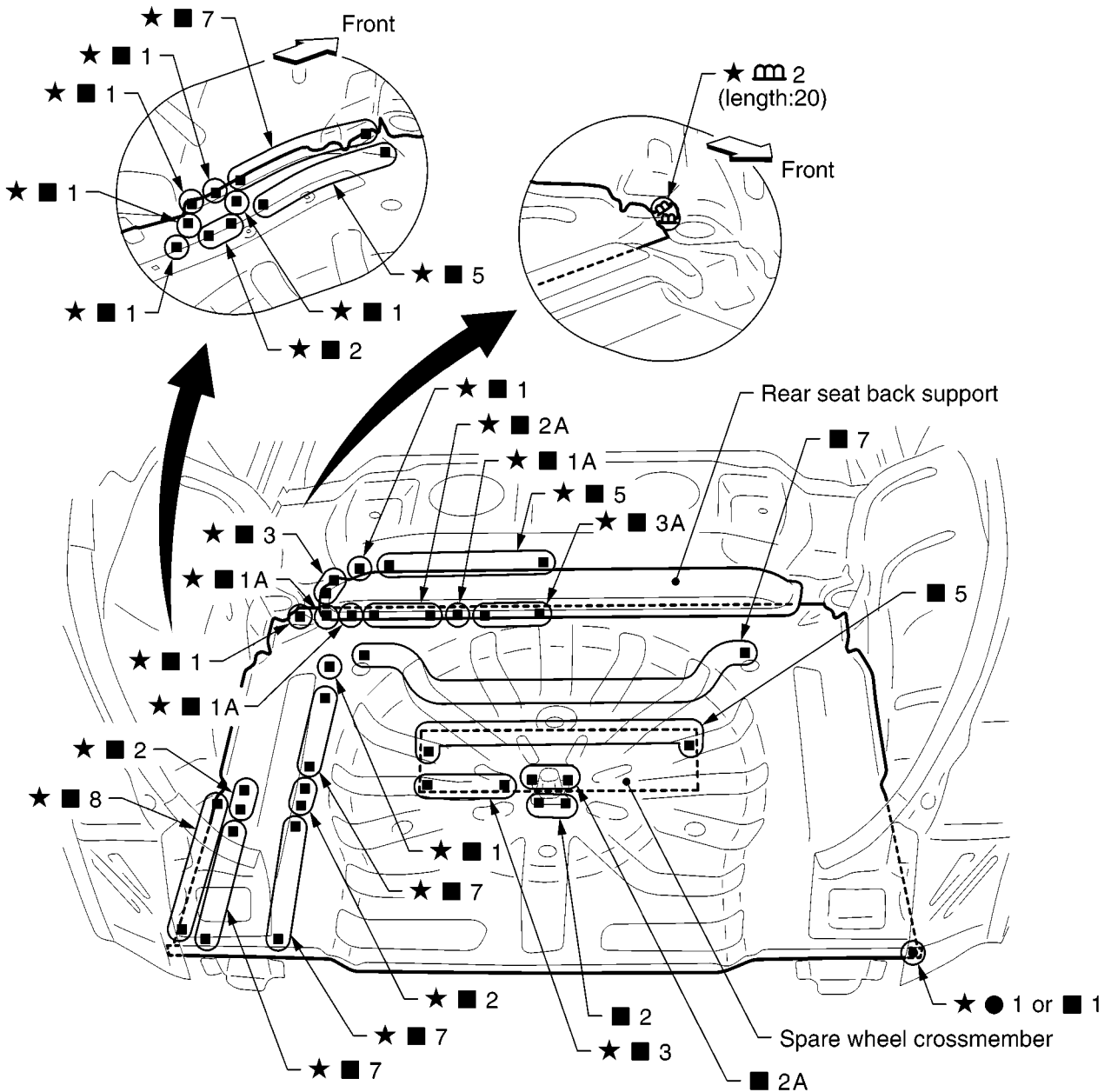
BODY REPAIR

REAR FLOOR REAR

- Work after rear panel has been removed.

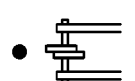
Service Joint

★ indicates that there is an equivalent welding portion with the same dimensions on the opposite side.

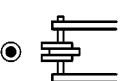


Unit:mm

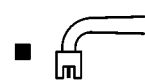
2-spot welds



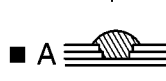
3-spot welds



M I G plug weld



For 3 panels plug weld method



M I G seam weld/
Point weld



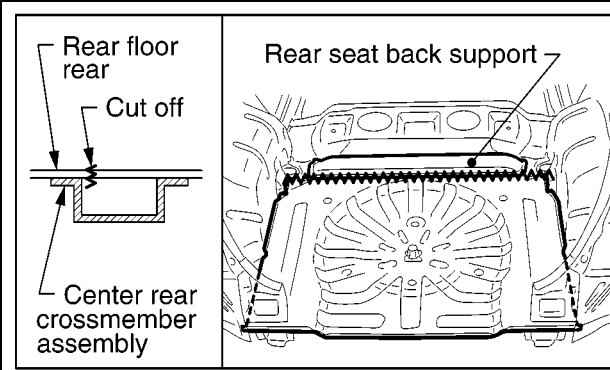
SIIA2193E

A
B
C
D
E
F
G
H
BL
J
K
L
M

BODY REPAIR

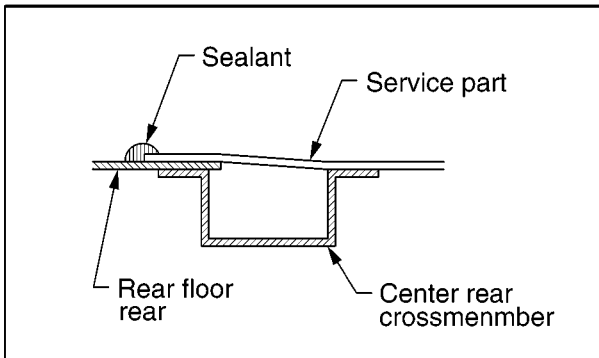
Change parts

- Rear floor rear
- Spare tire clamp bracket



REMOVAL NOTES

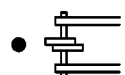
- Remove rear seat back support assembly for easier installation.
- Cut off rear floor rear along with center rear crossmember assembly flange.



INSTALLATION NOTES

- Position rear floor rear service part as overlapped old part, then weld them.
- Apply sealant and anti-corrosive wax to the inside of center rear crossmember shown in the left figure.
- Then, re-weld rear seat back support assembly

2-spot welds



3-spot welds



M I G plug weld



For 3 panels plug weld method



M I G seam weld/
Point weld



SIIA2437E

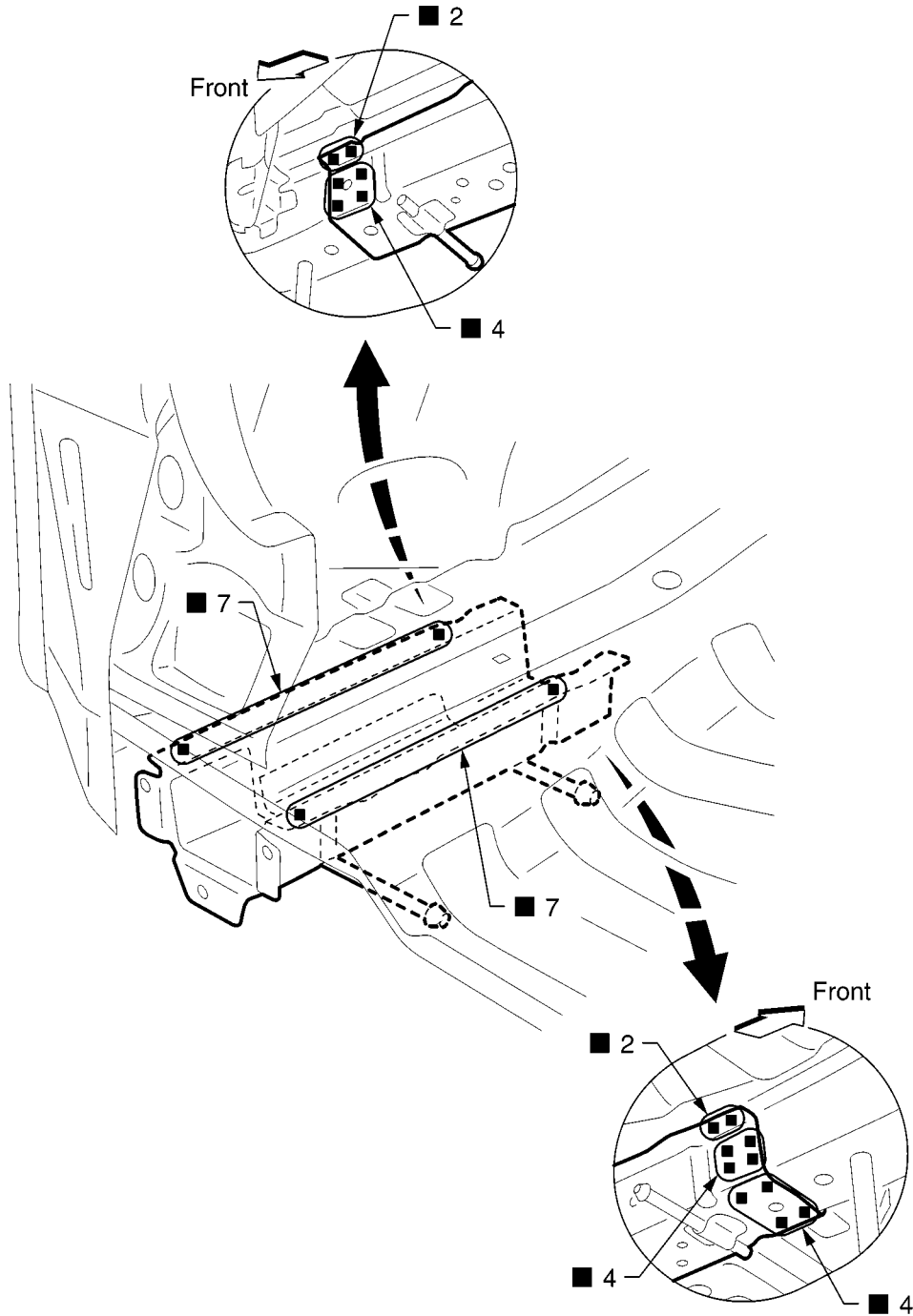
BODY REPAIR

REAR SIDE MEMBER EXTENSION

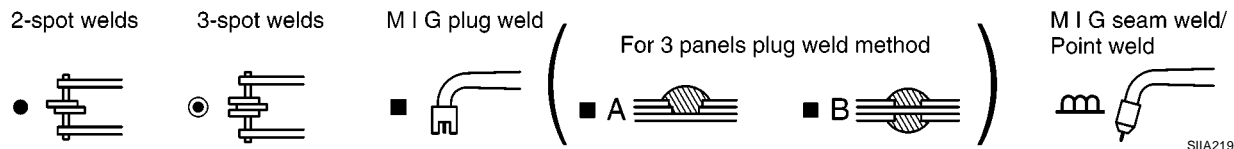
- Work after rear panel has been removed.

A
B
C
D
E
F
G
H
BL
J
K
L
M

Service Joint



Unit:mm



SIIA2195E

BODY REPAIR

Change parts

- Rear side member extension (LH)