

SECTION GW

GLASSES, WINDOW SYSTEM & MIRRORS

CONTENTS

PRECAUTIONS	3	Component Parts and Harness Connector Location..	17
Precautions for Supplemental Restraint System (SRS) "AIR BAG" and "SEAT BELT PRE-TENSIONER"	3	System Description	18
Handling for Adhesive and Primer	3	MANUAL OPERATION	18
Wiring Diagrams and Trouble Diagnosis	3	AUTO OPERATION	20
PREPARATION	4	POWER WINDOW SERIAL LINK	20
Special Service Tools	4	POWER WINDOW LOCK	20
Commercial Service Tools	4	RETAINED POWER OPERATION	21
SQUEAK AND RATTLE TROUBLE DIAGNOSES	5	ANTI-PINCH SYSTEM	21
Work Flow	5	POWER WINDOW CONTROL BY THE KEY CYLINDER SWITCH	21
CUSTOMER INTERVIEW	5	Schematic	22
DUPLICATE THE NOISE AND TEST DRIVE	6	Wiring Diagram – WINDOW –	23
CHECK RELATED SERVICE BULLETINS	6	Terminal and Reference Value for Power Window Main Switch	28
LOCATE THE NOISE AND IDENTIFY THE ROOT CAUSE	6	Terminal and Reference Value for Front Power Window Switch (Passenger Side)	29
REPAIR THE CAUSE	6	Terminal and Reference Value for BCM	30
CONFIRM THE REPAIR	7	Work Flow	30
Generic Squeak and Rattle Troubleshooting	7	CONSULT-II Inspection Procedure	31
INSTRUMENT PANEL	7	ACTIVE TEST	32
CENTER CONSOLE	7	WORK SUPPORT	32
DOORS	7	DATA MONITOR	32
TRUNK	8	Trouble Diagnosis Symptom Chart	33
SUNROOF/HEADLINING	8	BCM Power Supply and Ground Circuit Check	34
SEATS	8	Power Window Main Switch Power Supply Circuit Check	35
UNDERHOOD	8	Front Power Window Switch (Passenger Side) Power Supply and Ground Circuit Check	36
Diagnostic Worksheet	9	Front Power Window Regulator (Driver Side) Circuit Check	37
WINDSHIELD GLASS	11	Front Power Window Regulator (Passenger Side) Circuit Check	38
Removal and Installation	11	Rear Power Window Regulator (LH) Circuit Check..	39
REMOVAL	11	Rear Power Window Regulator (RH) Circuit Check..	41
INSTALLATION	12	Limit Switch Circuit Check (Driver Side)	43
BACK DOOR WINDOW GLASS	13	Limit Switch Circuit Check (Passenger Side)	44
Removal and Installation	13	Encoder Circuit Check (Driver Side)	46
REMOVAL	13	Encoder Circuit Check (Front Passenger Side)	48
INSTALLATION	14	Door Switch Check	51
SIDE WINDOW GLASS	15	Front Door Key Cylinder Switch (Driver Side) Check..	53
Removal and Installation	15		
REMOVAL	15		
INSTALLATION	16		
POWER WINDOW SYSTEM	17		

Power Window Serial Link Check	55	TYPE 30/TYPE 31/TYPE 32	84
Power Window Lock Switch Check	57	Schematic – DEF –	89
FRONT DOOR GLASS AND REGULATOR	58	Wiring Diagram –DEF–	90
Removal and Installation	58	Terminal and Reference Value for BCM	94
REMOVAL	58	Terminal and Reference Value for IPDM E/R	94
INSTALLATION	59	Work Flow	94
INSPECTION AFTER REMOVAL	59	CONSULT-II Inspection Procedure	95
DISASSEMBLY AND ASSEMBLY	59	DATA MONITOR	96
SETTING AFTER INSTALLATION	60	ACTIVE TEST	96
FITTING INSPECTION	60	Trouble Diagnoses Symptom Chart	97
REAR DOOR GLASS AND REGULATOR	61	BCM Power Supply and Ground Circuit Check	98
Removal and Installation	61	Rear Window Defogger Switch Circuit Check	99
REMOVAL	61	Rear Window Defogger Power Supply Circuit	
INSTALLATION	62	Check	100
INSPECTION AFTER REMOVAL	62	Rear Window Defogger Circuit Check	102
FITTING INSPECTION	62	Door Mirror Defogger Power Supply Circuit Check	103
INSIDE MIRROR	63	Driver Side Door Mirror Defogger Circuit Check	105
Wiring Diagram –I/MIRR–	63	Passenger Side Door Mirror Defogger Circuit Check	
Removal and Installation	64	Check	106
REMOVAL	64	Rear Window Defogger Signal Check	107
INSTALLATION	64	Filament Check	108
REAR WINDOW DEFOGGER	65	Filament Repair	108
Component Parts and Harness Connector Location	65	REPAIR EQUIPMENT	108
System Description	65	REPAIRING PROCEDURE	109
CAN Communication System Description	67	DOOR MIRROR	110
CAN Communication Unit For 2WD Models	67	Automatic Drive Positioner Interlocking Door Mirror	110
TYPE 1/TYPE 2/TYPE 3/TYPE 4/TYPE 5/TYPE		Power Door Mirror (Only Manual Operation Model)	111
6/TYPE 7/TYPE 8	68	WIRING DIAGRAM –MIRROR–	111
TYPE 9/TYPE 10/TYPE 11/TYPE 12/TYPE 13/		Removal and Installation	112
TYPE 14/TYPE 15/TYPE 16	73	REMOVAL	112
CAN Communication Unit For AWD Models	78	INSTALLATION	112
TYPE 17/TYPE 18/TYPE 19/TYPE 20/TYPE 21/		Disassembly and Assembly	112
TYPE 22/TYPE 23/TYPE 24	78	DISASSEMBLY	112
TYPE 25/TYPE 26/TYPE 27/TYPE 28/TYPE 29/		ASSEMBLY	113

PRECAUTIONS

PRECAUTIONS

PFP:00001

Precautions for Supplemental Restraint System (SRS) “AIR BAG” and “SEAT BELT PRE-TENSIONER”

AIS001RL

The Supplemental Restraint System such as “AIR BAG” and “SEAT BELT PRE-TENSIONER”, used along with a front seat belt, helps to reduce the risk or severity of injury to the driver and front passenger for certain types of collision. This system includes seat belt switch inputs and dual stage front air bag modules. The SRS system uses the seat belt switches to determine the front air bag deployment, and may only deploy one front air bag, depending on the severity of a collision and whether the front occupants are belted or unbelted. Information necessary to service the system safely is included in the SRS and SB section of this Service Manual.

WARNING:

- To avoid rendering the SRS inoperative, which could increase the risk of personal injury or death in the event of a collision which would result in air bag inflation, all maintenance must be performed by an authorized NISSAN/INFINITI dealer.
- Improper maintenance, including incorrect removal and installation of the SRS, can lead to personal injury caused by unintentional activation of the system. For removal of Spiral Cable and Air Bag Module, see the SRS section.
- Do not use electrical test equipment on any circuit related to the SRS unless instructed to in this Service Manual. SRS wiring harnesses can be identified by yellow and/or orange harnesses or harness connectors.

Handling for Adhesive and Primer

AIS001RM

- Do not use an adhesive which is past its usable date. Shelf life of this product is limited to six months after the date of manufacture. Carefully adhere to the expiration or manufacture date printed on the box.
- Keep primers and adhesive in a cool, dry place. Ideally, they should be stored in a refrigerator.
- Open the seal of the primer and adhesive just before application. Discard the remainder.
- Before application, be sure to shake the primer container to stir the contents. If any floating material is found, do not use it.
- If any primer or adhesive contacts the skin, wipe it off with gasoline or equivalent and wash the skin with soap.
- When using primer and adhesive, always observe the precautions in the instruction manual.

Wiring Diagrams and Trouble Diagnosis

AIS001RN

When you read wiring diagrams, refer to the following:

- [GI-14, "How to Read Wiring Diagrams"](#)
- [PG-3, "POWER SUPPLY ROUTING CIRCUIT"](#)

When you perform trouble diagnosis, refer to the following:

- [GI-10, "HOW TO FOLLOW TEST GROUPS IN TROUBLE DIAGNOSES"](#)
- [GI-26, "How to Perform Efficient Diagnosis for an Electrical Incident"](#)

Check for any service bulletins before servicing the vehicle.

A
B
C
D
E
F
G
H
J
K
L
M

GW

PREPARATION

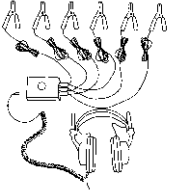
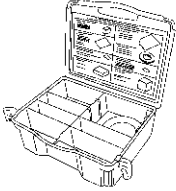
PREPARATION

PFP:00002

Special Service Tools

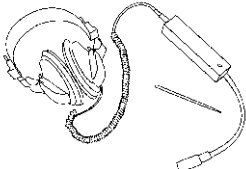
AIS005AD

The actual shapes of Kent-Moore tools may differ from those of special service tools illustrated here.

Tool number (Kent-Moore No.) Tool name	Description
(J39570) Chassis ear  SIIA0993E	Locating the noise
(J43980) NISSAN Squeak and Rattle Kit  SIIA0994E	Repairing the cause of noise

Commercial Service Tools

AIS005AE

Tool name	Description
Engine ear  SIIA0995E	Locating the noise

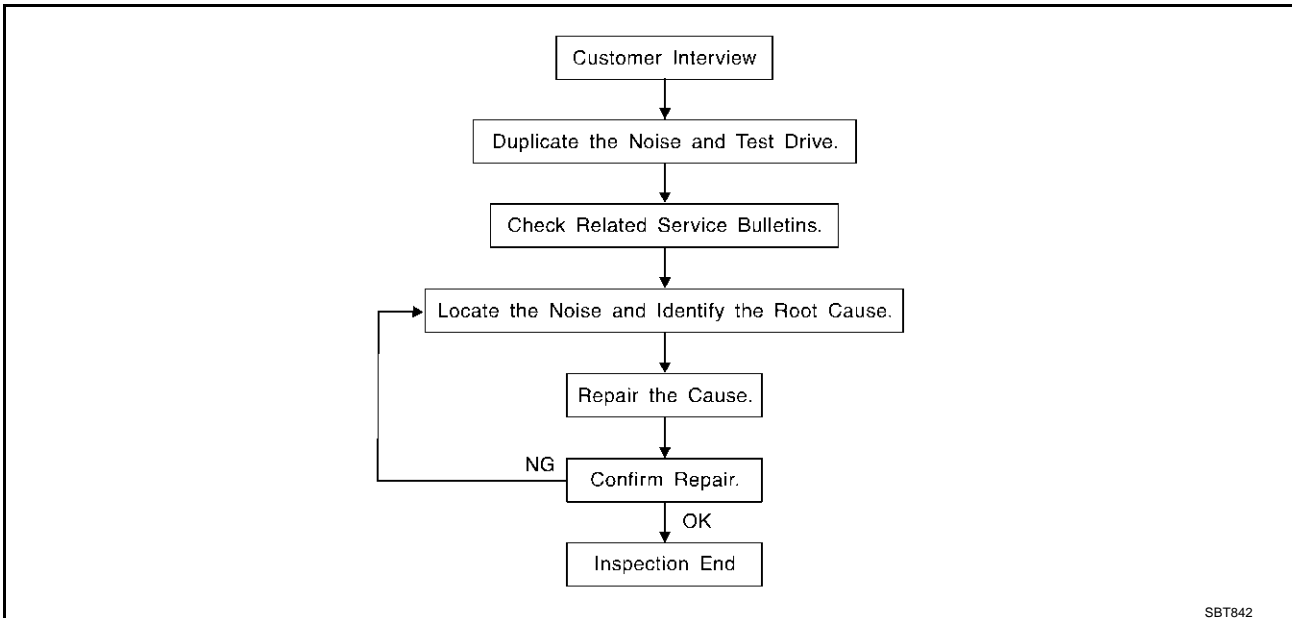
SQUEAK AND RATTLE TROUBLE DIAGNOSES

SQUEAK AND RATTLE TROUBLE DIAGNOSES

PFP:00000

Work Flow

AIS005AF



CUSTOMER INTERVIEW

Interview the customer if possible, to determine the conditions that exist when the noise occurs. Use the Diagnostic Worksheet during the interview to document the facts and conditions when the noise occurs and any customer's comments; refer to [GW-9, "Diagnostic Worksheet"](#). This information is necessary to duplicate the conditions that exist when the noise occurs.

- The customer may not be able to provide a detailed description or the location of the noise. Attempt to obtain all the facts and conditions that exist when the noise occurs (or does not occur).
- If there is more than one noise in the vehicle, be sure to diagnose and repair the noise that the customer is concerned about. This can be accomplished by test driving the vehicle with the customer.
- After identifying the type of noise, isolate the noise in terms of its characteristics. The noise characteristics are provided so the customer, service adviser and technician are all speaking the same language when defining the noise.
- Squeak—(Like tennis shoes on a clean floor)
Squeak characteristics include the light contact/fast movement/brought on by road conditions/hard surfaces=higher pitch noise/softer surfaces=lower pitch noises/edge to surface=chirping
- Creak—(Like walking on an old wooden floor)
Creak characteristics include firm contact/slow movement/twisting with a rotational movement/pitch dependent on materials/often brought on by activity.
- Rattle—(Like shaking a baby rattle)
Rattle characteristics include the fast repeated contact/vibration or similar movement/loose parts/missing clip or fastener/incorrect clearance.
- Knock—(Like a knock on a door)
Knock characteristics include hollow sounding/sometimes repeating/often brought on by driver action.
- Tick—(Like a clock second hand)
Tick characteristics include gentle contacting of light materials/loose components/can be caused by driver action or road conditions.
- Thump—(Heavy, muffled knock noise)
Thump characteristics include softer knock/dead sound often brought on by activity.
- Buzz—(Like a bumble bee)
Buzz characteristics include high frequency rattle/firm contact.
- Often the degree of acceptable noise level will vary depending upon the person. A noise that you may judge as acceptable may be very irritating to the customer.
- Weather conditions, especially humidity and temperature, may have a great effect on noise level.

SQUEAK AND RATTLE TROUBLE DIAGNOSES

DUPLICATE THE NOISE AND TEST DRIVE

If possible, drive the vehicle with the customer until the noise is duplicated. Note any additional information on the Diagnostic Worksheet regarding the conditions or location of the noise. This information can be used to duplicate the same conditions when you confirm the repair.

If the noise can be duplicated easily during the test drive, to help identify the source of the noise, try to duplicate the noise with the vehicle stopped by doing one or all of the following:

- 1) Close a door.
 - 2) Tap or push/pull around the area where the noise appears to be coming from.
 - 3) Rev the engine.
 - 4) Use a floor jack to recreate vehicle "twist".
 - 5) At idle, apply engine load (electrical load, half-clutch on M/T models, drive position on A/T models).
 - 6) Raise the vehicle on a hoist and hit a tire with a rubber hammer.
- Drive the vehicle and attempt to duplicate the conditions the customer states exist when the noise occurs.
 - If it is difficult to duplicate the noise, drive the vehicle slowly on an undulating or rough road to stress the vehicle body.

CHECK RELATED SERVICE BULLETINS

After verifying the customer concern or symptom, check ASIST for Technical Service Bulletins (TSBs) related to that concern or symptom.

If a TSB relates to the symptom, follow the procedure to repair the noise.

LOCATE THE NOISE AND IDENTIFY THE ROOT CAUSE

1. Narrow down the noise to a general area. To help pinpoint the source of the noise, use a listening tool (Chassis Ear: J39570, Engine Ear and mechanics stethoscope).
2. Narrow down the noise to a more specific area and identify the cause of the noise by:
 - removing the components in the area that you suspect the noise is coming from.
Do not use too much force when removing clips and fasteners, otherwise clips and fastener can be broken or lost during the repair, resulting in the creation of new noise.
 - tapping or pushing/pulling the component that you suspect is causing the noise.
Do not tap or push/pull the component with excessive force, otherwise the noise will be eliminated only temporarily.
 - feeling for a vibration with your hand by touching the component(s) that you suspect is (are) causing the noise.
 - placing a piece of paper between components that you suspect are causing the noise.
 - looking for loose components and contact marks.
Refer to [GW-7, "Generic Squeak and Rattle Troubleshooting"](#) .

REPAIR THE CAUSE

- If the cause is a loose component, tighten the component securely.
- If the cause is insufficient clearance between components:
 - separate components by repositioning or loosening and retightening the component, if possible.
 - insulate components with a suitable insulator such as urethane pads, foam blocks, felt cloth tape or urethane tape. A Nissan Squeak and Rattle Kit (J43980) is available through your authorized Nissan Parts Department.

CAUTION:

Do not use excessive force as many components are constructed of plastic and may be damaged.

Always check with the Parts Department for the latest parts information.

The following materials are contained in the Nissan Squeak and Rattle Kit (J43980). Each item can be ordered separately as needed.

URETHANE PADS [1.5 mm (0.059 in) thick]

Insulates connectors, harness, etc.

76268-9E005: 100 × 135 mm (3.94 × 5.31 in)/76884-71L01: 60 × 85 mm (2.36 × 3.35 in)/76884-

71L02: 15 × 25 mm (0.59 × 0.98 in)

INSULATOR (Foam blocks)

Insulates components from contact. Can be used to fill space behind a panel.

73982-9E000: 45 mm (1.77 in) thick, 50 × 50 mm (1.97 × 1.97 in)/73982-

50Y00: 10 mm (0.39 in) thick, 50 × 50 mm (1.97 × 1.97 in)

SQUEAK AND RATTLE TROUBLE DIAGNOSES

INSULATOR (Light foam block)

80845-71L00: 30 mm (1.18 in) thick, 30 × 50 mm (1.18 × 1.97 in)

FELT CLOTHTAPE

Used to insulate where movement does not occur. Ideal for instrument panel applications.

68370-4B000: 15 × 25 mm (0.59 × 0.98 in) pad/68239-13E00: 5 mm (0.20 in) wide tape roll. The following materials, not found in the kit, can also be used to repair squeaks and rattles.

UHMW (TEFLON) TAPE

Insulates where slight movement is present. Ideal for instrument panel applications.

SILICONE GREASE

Used in place of UHMW tape that will be visible or not fit.

Note: Will only last a few months.

SILICONE SPRAY

Use when grease cannot be applied.

DUCT TAPE

Use to eliminate movement.

CONFIRM THE REPAIR

Confirm that the cause of a noise is repaired by test driving the vehicle. Operate the vehicle under the same conditions as when the noise originally occurred. Refer to the notes on the Diagnostic Worksheet.

Generic Squeak and Rattle Troubleshooting

AIS005AG

Refer to Table of Contents for specific component removal and installation information.

INSTRUMENT PANEL

Most incidents are caused by contact and movement between:

1. The cluster lid A and instrument panel
2. Acrylic lens and combination meter housing
3. Instrument panel to front pillar garnish
4. Instrument panel to windshield
5. Instrument panel mounting pins
6. Wiring harnesses behind the combination meter
7. A/C defroster duct and duct joint

These incidents can usually be located by tapping or moving the components to duplicate the noise or by pressing on the components while driving to stop the noise. Most of these incidents can be repaired by applying felt cloth tape or silicon spray (in hard to reach areas). Urethane pads can be used to insulate wiring harness.

CAUTION:

Do not use silicone spray to isolate a squeak or rattle. If you saturate the area with silicone, you will not be able to recheck the repair.

CENTER CONSOLE

Components to pay attention to include:

1. Shifter assembly cover to finisher
2. A/C control unit and cluster lid C
3. Wiring harnesses behind audio and A/C control unit

The instrument panel repair and isolation procedures also apply to the center console.

DOORS

Pay attention to the:

1. Finisher and inner panel making a slapping noise
2. Inside handle escutcheon to door finisher
3. Wiring harnesses tapping
4. Door striker out of alignment causing a popping noise on starts and stops

Tapping or moving the components or pressing on them while driving to duplicate the conditions can isolate many of these incidents. You can usually insulate the areas with felt cloth tape or insulator foam blocks from the Nissan Squeak and Rattle Kit (J43980) to repair the noise.

A
B
C
D
E
F
G
H
J
K
L
M

GW

SQUEAK AND RATTLE TROUBLE DIAGNOSES

TRUNK

Trunk noises are often caused by a loose jack or loose items put into the trunk by the owner. In addition look for:

1. Trunk lid dumpers out of adjustment
2. Trunk lid striker out of adjustment
3. The trunk lid torsion bars knocking together
4. A loose license plate or bracket

Most of these incidents can be repaired by adjusting, securing or insulating the item(s) or component(s) causing the noise.

SUNROOF/HEADLINING

Noises in the sunroof/headlining area can often be traced to one of the following:

1. Sunroof lid, rail, linkage or seals making a rattle or light knocking noise
2. Sunvisor shaft shaking in the holder
3. Front or rear windshield touching headlining and squeaking

Again, pressing on the components to stop the noise while duplicating the conditions can isolate most of these incidents. Repairs usually consist of insulating with felt cloth tape.

SEATS

When isolating seat noise it's important to note the position the seat is in and the load placed on the seat when the noise is present. These conditions should be duplicated when verifying and isolating the cause of the noise.

Cause of seat noise include:

1. Headrest rods and holder
2. A squeak between the seat pad cushion and frame
3. The rear seatback lock and bracket

These noises can be isolated by moving or pressing on the suspected components while duplicating the conditions under which the noise occurs. Most of these incidents can be repaired by repositioning the component or applying urethane tape to the contact area.

UNDERHOOD

Some interior noise may be caused by components under the hood or on the engine wall. The noise is then transmitted into the passenger compartment.

Causes of transmitted underhood noise include:

1. Any component mounted to the engine wall
2. Components that pass through the engine wall
3. Engine wall mounts and connectors
4. Loose radiator mounting pins
5. Hood bumpers out of adjustment
6. Hood striker out of adjustment

These noises can be difficult to isolate since they cannot be reached from the interior of the vehicle. The best method is to secure, move or insulate one component at a time and test drive the vehicle. Also, engine RPM or load can be changed to isolate the noise. Repairs can usually be made by moving, adjusting, securing, or insulating the component causing the noise.

SQUEAK AND RATTLE TROUBLE DIAGNOSES

Diagnostic Worksheet

AIS005AH

A
B
C
D
E
F
G
H
GW
J
K
L
M

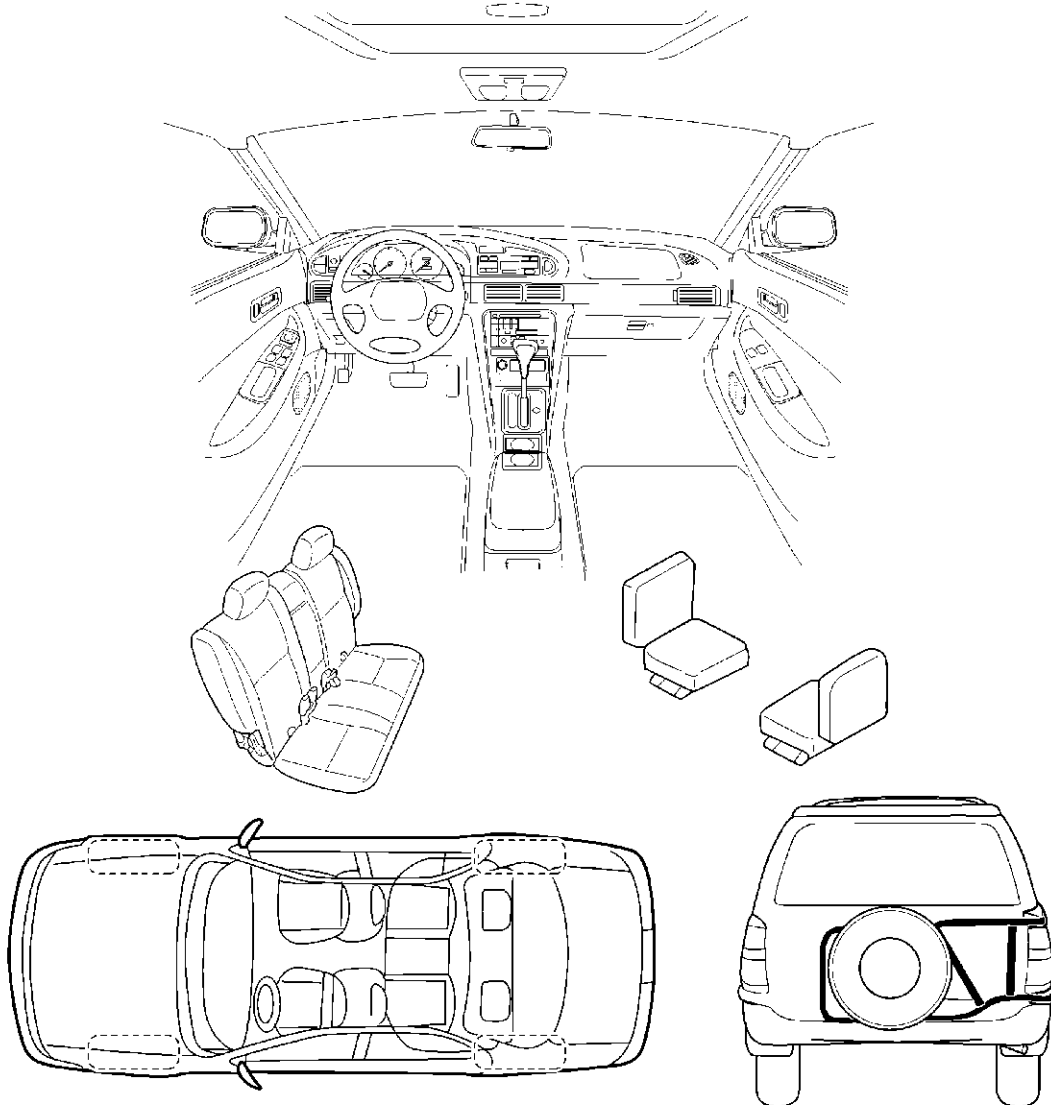
SQUEAK & RATTLE DIAGNOSTIC WORKSHEET

Dear Nissan Customer:

We are concerned about your satisfaction with your Nissan vehicle. Repairing a squeak or rattle sometimes can be very difficult. To help us fix your Nissan right the first time, please take a moment to note the area of the vehicle where the squeak or rattle occurs and under what conditions. You may be asked to take a test drive with a service advisor or technician to ensure we confirm the noise you are hearing.

I. WHERE DOES THE NOISE COME FROM? (circle the area of the vehicle)

The illustrations are for reference only, and may not reflect the actual configuration of your vehicle.



Continue to the back of the worksheet and briefly describe the location of the noise or rattle. In addition, please indicate the conditions which are present when the noise occurs.

PIIB0723E

SQUEAK AND RATTLE TROUBLE DIAGNOSES

SQUEAK & RATTLE DIAGNOSTIC WORKSHEET- page 2

Briefly describe the location where the noise occurs:

II. WHEN DOES IT OCCUR? (check the boxes that apply)

- | | |
|--|---|
| <input type="checkbox"/> anytime | <input type="checkbox"/> after sitting out in the sun |
| <input type="checkbox"/> 1 st time in the morning | <input type="checkbox"/> when it is raining or wet |
| <input type="checkbox"/> only when it is cold outside | <input type="checkbox"/> dry or dusty conditions |
| <input type="checkbox"/> only when it is hot outside | <input type="checkbox"/> other: _____ |

III. WHEN DRIVING:

- through driveways
- over rough roads
- over speed bumps
- only at about _____ mph
- on acceleration
- coming to a stop
- on turns : left, right or either (circle)
- with passengers or cargo
- other: _____
- after driving _____ miles or _____ minutes

IV. WHAT TYPE OF NOISE?

- squeak (like tennis shoes on a clean floor)
- creak (like walking on an old wooden floor)
- rattle (like shaking a baby rattle)
- knock (like a knock on a door)
- tick (like a clock second hand)
- thump (heavy, muffled knock noise)
- buzz (like a bumble bee)

TO BE COMPLETED BY DEALERSHIP PERSONNEL

Test Drive Notes:

	YES	NO	Initials of person performing
Vehicle test driven with customer	<input type="checkbox"/>	<input type="checkbox"/>	_____
- Noise verified on test drive	<input type="checkbox"/>	<input type="checkbox"/>	_____
- Noise source located and repaired	<input type="checkbox"/>	<input type="checkbox"/>	_____
- Follow up test drive performed to confirm repair	<input type="checkbox"/>	<input type="checkbox"/>	_____

VIN: _____ Customer Name: _____

W.O. #: _____ Date: _____

This form must be attached to Work Order

SBT844

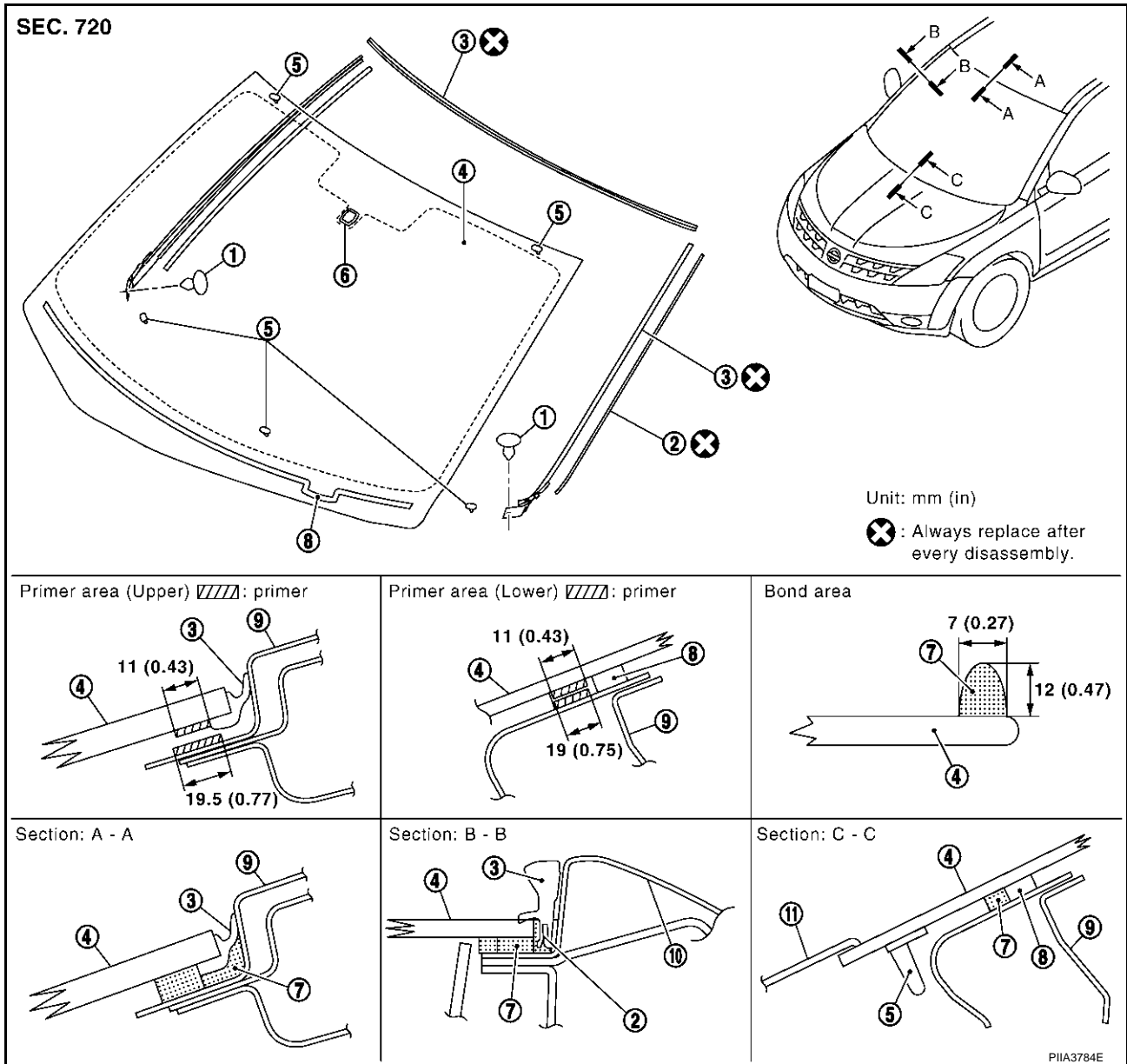
WINDSHIELD GLASS

WINDSHIELD GLASS

PFP:72712

Removal and Installation

AIS005AI



- | | | |
|-----------------------|--------------------|----------------|
| 1. Clip (C103) | 2. Fastener | 3. Molding |
| 4. Windshield glass | 5. Spacer | 6. Mirror base |
| 7. Bond | 8. Insulator | 9. Panel |
| 10. Body side (outer) | 11. Cowl top cover | |

REMOVAL

1. Remove the front pillar garnish. Refer to [EI-32, "BODY SIDE TRIM"](#) .
 2. Partially remove the headlining (front edge). Refer to [EI-36, "HEADLINING"](#) .
 3. Remove the front wiper arms. Refer to [WW-47, "Removal and Installation of Front Wiper Arms, Adjustment of Wiper Arms Stop Location"](#) .
 4. Remove roof side molding. Refer to [EI-28, "ROOF SIDE MOLDING"](#) .
 5. Apply a protective tape around the windshield glass to protect the painted surface from damage.
- After removing moldings, remove glass using piano wire or power cutting tool and an inflatable pump bag.
- If a windshield glass is to be reused, mark the body and the glass with mating marks.

A
B
C
D
E
F
G
H
J
K
L
M

GW

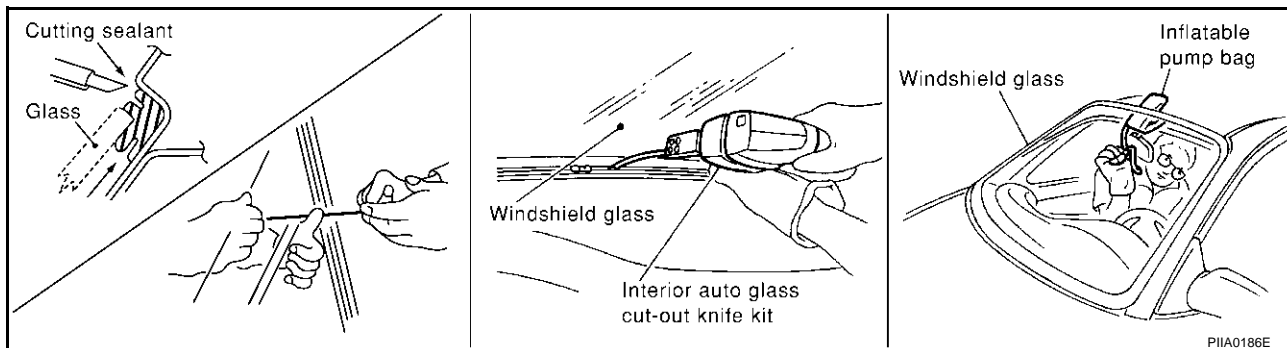
WINDSHIELD GLASS

WARNING:

When cutting the glass from the vehicle, always wear safety glasses and heavy gloves to help prevent glass splinters from entering your eyes or cutting your hands.

CAUTION:

- When a windshield glass is to be reused, do not use a cutting knife or power cutting tool.
- Be careful not to scratch the glass when removing.
- Do not set or stand the glass on its edge. Small chips may develop into cracks.



INSTALLATION

- Use a genuine Nissan Urethane Adhesive Kit or equivalent and follow the instructions furnished with it.
- While the urethane adhesive is curing, open a door window. This will prevent the glass from being forced out by passenger room air pressure when a door is closed.
- The molding must be installed securely so that it is in position and leaves no gap.
- Inform the customer that the vehicle should remain stationary until the urethane adhesive has completely cured (preferably 24 hours). Curing time varies with temperature and humidity.

WARNING:

- Keep heat and open flames away as primers and adhesive are flammable.
- The materials contained in the kit are harmful if swallowed, and may irritate skin and eyes. Avoid contact with the skin and eyes.
- Use in an open, well ventilated location. Avoid breathing the vapors. They can be harmful if inhaled. If affected by vapor inhalation, immediately move to an area with fresh air.
- Driving the vehicle before the urethane adhesive has completely cured may affect the performance of the windshield in case of an accident.

CAUTION:

- Do not use an adhesive which is past its usable term. Shelf life of this product is limited to six months after the date of manufacture. Carefully adhere to the expiration or manufacture date printed on the box.
- Keep primers and adhesive in a cool, dry place. Ideally, they should be stored in a refrigerator.
- Do not leave primers or adhesive cartridge unattended with their caps open or off.
- The vehicle should not be driven for at least 24 hours or until the urethane adhesive has completely cured. Curing time varies depending on temperature and humidity. The curing time will increase under lower temperature and lower humidity.

Repairing Water Leaks for Windshield

Leaks can be repaired without removing and reinstalling glass.

If water is leaking between the urethane adhesive material and body or glass, determine the extent of leakage. This can be done by applying water to the windshield area while pushing glass outward.

To stop the leak, apply primer (if necessary) and then urethane adhesive to the leak point.

BACK DOOR WINDOW GLASS

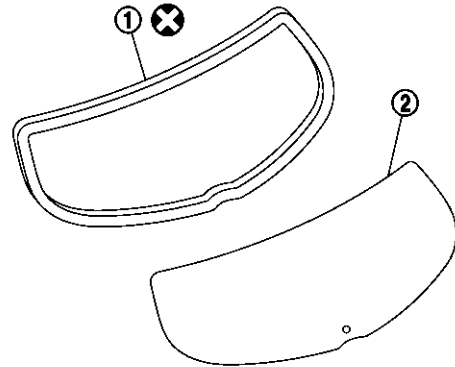
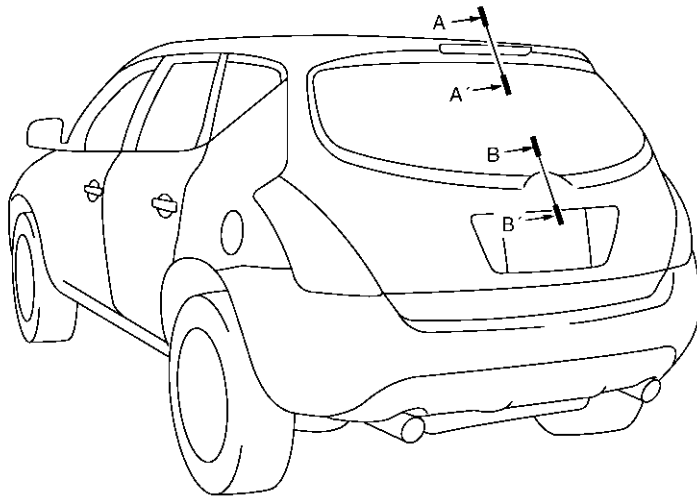
BACK DOOR WINDOW GLASS

PFP:90300

Removal and Installation

AIS005AJ

SEC. 797

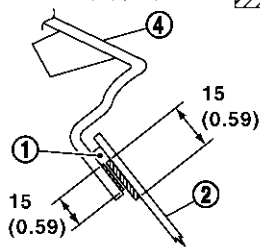


Unit: mm (in)

⊗: Always replace after every disassembly.

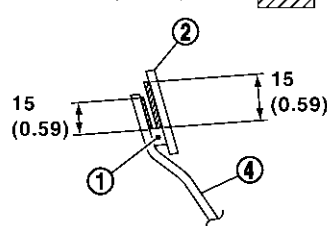
Primer area (Upper)

: Primer

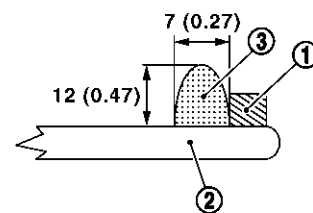


Primer area (Lower)

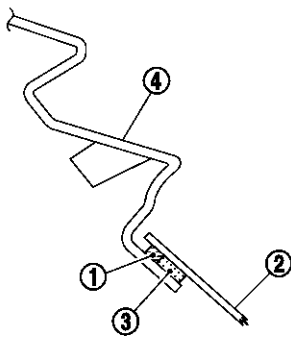
: Primer



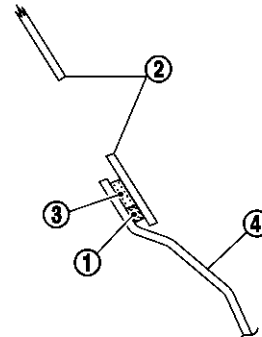
Bond area



Section: A-A'



Section: B-B'



PIIA3785E

1. Dam rubber
2. Back door window glass
3. Bond
4. Back door outer panel

REMOVAL

1. Remove the back door finisher. Refer to [EI-40, "BACK DOOR TRIM"](#).
2. Remove the rear wiper arm. Refer to [WW-65, "Removal and Installation of Rear Wiper Arm, Adjustment of Wiper Arms Stop Location"](#).
3. Remove the connectors and grounds for the rear window defogger and printed antenna.
4. Remove glass using cutting knife or power cutting tool and an inflatable pump bag.
 - If a back door window glass is to be reused, mark the body and the glass with mating marks.

WARNING:

When cutting the glass from the vehicle, always wear safety glasses and heavy gloves to help prevent glass splinters from entering your eyes or cutting your hands.

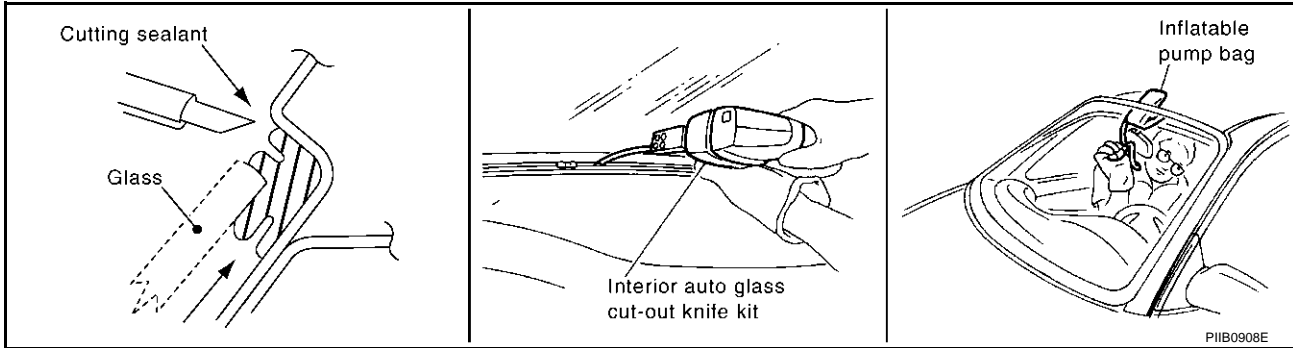
CAUTION:

- Be careful not to scratch the glass when removing.

A
B
C
D
E
F
G
H
GW
J
K
L
M

BACK DOOR WINDOW GLASS

- Do not set or stand the glass on its edge. Small chips may develop into cracks.



INSTALLATION

- Use a genuine Nissan Urethane Adhesive Kit or equivalent and follow the instructions furnished with it.
- While the urethane adhesive is curing, open a door window. This will prevent the glass from being forced out by passenger room air pressure when a door is closed.
- Inform the customer that the vehicle should remain stationary until the urethane adhesive has completely cured (preferably 24 hours). Curing time varies with temperature and humidity.

WARNING:

- Keep heat and open flames away as primers and adhesive are flammable.
- The materials contained in the kit are harmful if swallowed, and may irritate skin and eyes. Avoid contact with the skin and eyes.
- Use in an open, well ventilated location. Avoid breathing the vapors. They can be harmful if inhaled. If affected by vapor inhalation, immediately move to an area with fresh air.
- Driving the vehicle before the urethane adhesive has completely cured may affect the performance of the back door window glass in case of an accident.

CAUTION:

- Do not use an adhesive which is past its usable term. Shelf life of this product is limited to six months after the date of manufacture. Carefully adhere to the expiration or manufacture date printed on the box.
- Keep primers and adhesive in a cool, dry place. Ideally, they should be stored in a refrigerator.
- Do not leave primers or adhesive cartridge unattended with their caps open or off.
- The vehicle should not be driven for at least 24 hours or until the urethane adhesive has completely cured. Curing time varies depending on temperature and humidity. The curing time will increase under lower temperature and lower humidity.

SIDE WINDOW GLASS

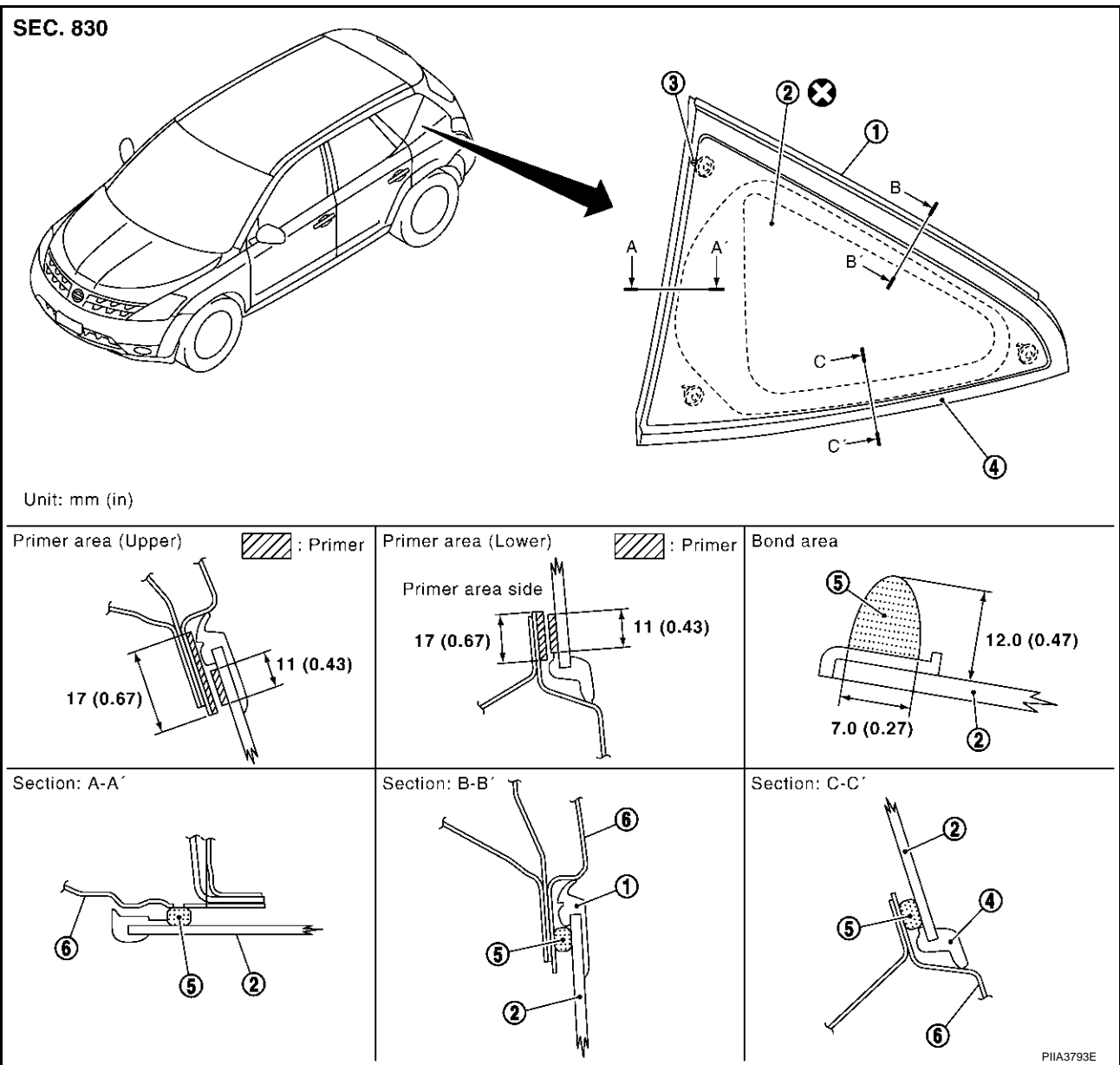
SIDE WINDOW GLASS

PFP:83300

Removal and Installation

AIS005AK

A
B
C
D
E
F
G
H
J
K
L
M



- | | | |
|--------------------------------------|----------------------|--------------------------|
| 1. Side window glass molding (Upper) | 2. Side window glass | 3. Clip |
| 4. Side window glass molding (Lower) | 5. Bond | 6. Body side outer panel |

REMOVAL

1. Remove the luggage side finisher upper. Refer to [EI-38, "LUGGAGE FLOOR TRIM"](#).
2. Remove the headlining. Refer to [EI-36, "HEADLINING"](#).
3. Apply protective tape around the side window to protect the painted surface from damage.
4. Remove the side window glass using piano wire or power cutting tool and an inflatable pump bag.

WARNING:

When cutting the glass from the vehicle, always wear safety glasses and heavy gloves to help prevent glass splinters from entering your eyes or cutting your hands.

CAUTION:

- Be careful not to scratch the glass when removing.
- Do not set or stand the glass on its edge. Small chips may develop into cracks.

SIDE WINDOW GLASS

INSTALLATION

- Use a genuine Nissan Urethane Adhesive Kit or equivalent and follow the instructions furnished with it.
- While the urethane adhesive is curing, open a door window. This will prevent the glass from being forced out by passenger room air pressure when a door is closed.
- The molding must be installed securely so that it is in position and leaves no gap.
- Inform the customer that the vehicle should remain stationary until the urethane adhesive has completely cured (preferably 24 hours). Curing time varies with temperature and humidity.

WARNING:

- **Keep heat and open flames away as primers and adhesive are flammable.**
- **The materials contained in the kit are harmful if swallowed, and may irritate skin and eyes. Avoid contact with the skin and eyes.**
- **Use in an open, well ventilated location. Avoid breathing the vapors. They can be harmful if inhaled. If affected by vapor inhalation, immediately move to an area with fresh air.**
- **Driving the vehicle before the urethane adhesive has completely cured may affect the performance of the side window in case of an accident.**

CAUTION:

- **Do not use an adhesive which is past its usable term. Shelf life of this product is limited to six months after the date of manufacture. Carefully adhere to the expiration or manufacture date printed on the box.**
- **Keep primers and adhesive in a cool, dry place. Ideally, they should be stored in a refrigerator.**
- **Do not leave primers or adhesive cartridge unattended with their caps open or off.**
- **The vehicle should not be driven for at least 24 hours or until the urethane adhesive has completely cured. Curing time varies depending on temperature and humidity. The curing time will increase under lower temperature and lower humidity.**

Repairing Water Leaks

Leaks can be repaired without removing and reinstalling glass.

If water is leaking between the urethane adhesive material and body or glass, determine the extent of leakage.

This can be done by applying water to the side window area while pushing glass outward.

To stop the leak, apply primer (if necessary) and then urethane adhesive to the leak point.

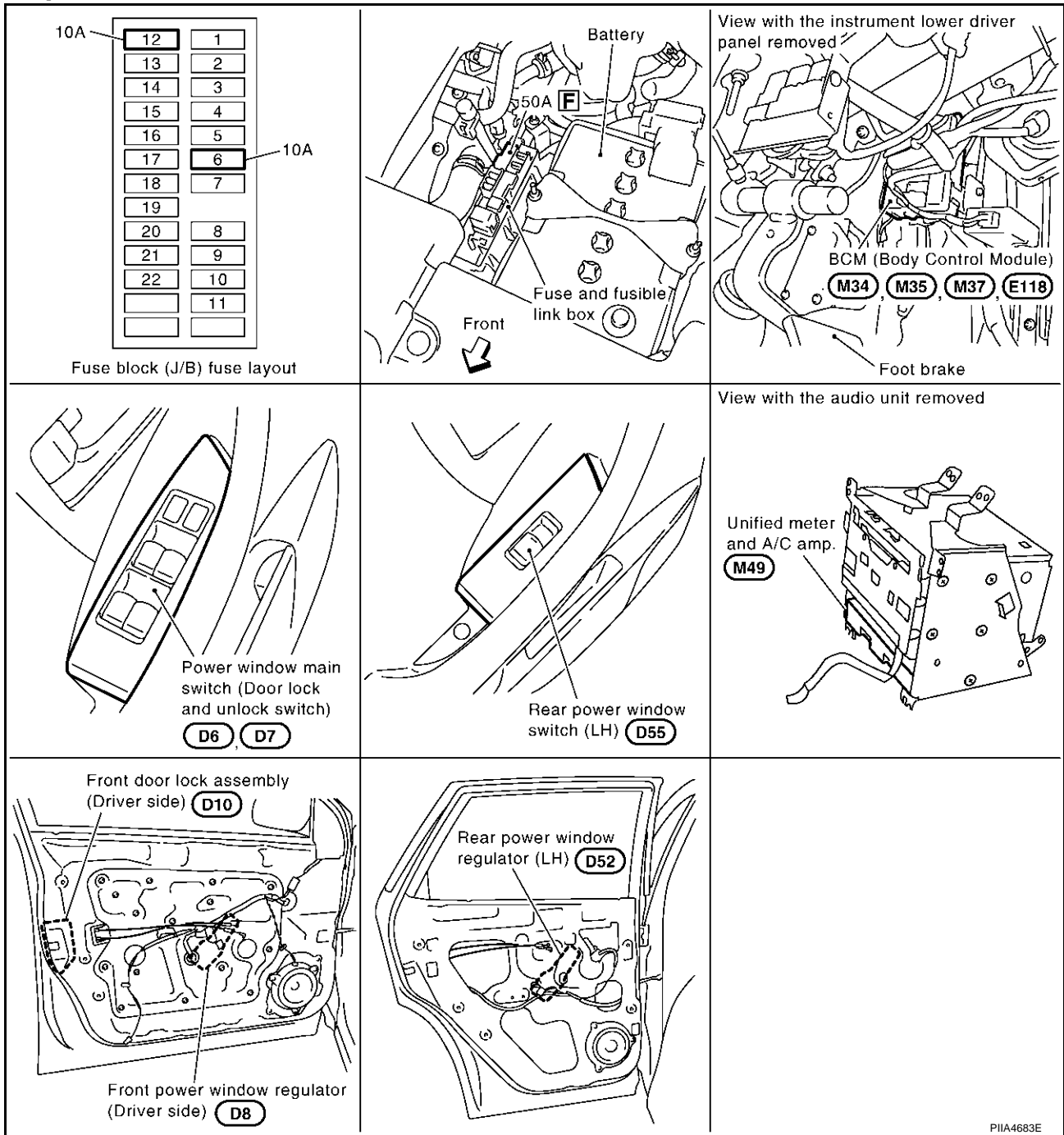
POWER WINDOW SYSTEM

POWER WINDOW SYSTEM

PPF:25401

Component Parts and Harness Connector Location

AIS002CN



A
B
C
D
E
F
G
H
J
K
L
M

GW

POWER WINDOW SYSTEM

AIS002CO

System Description

Power is supplied at all time

- from 50A fusible link (letter **F** , located in the fuse and fusible link box)
- to BCM terminal 7
- through BCM terminal 28
- to power window main switch terminal 19
- to front power window switch (passenger side) terminal 10.

With ignition switch in ON or START position,
Power is supplied

- through 10A fuse [No.1,located in the fuse block (J/B)]
- to BCM terminal 35
- through BCM terminal 29
- to power window main switch terminal 10
- to rear power window switch (LH and RH) terminal 1.

Ground supplied

- to BCM terminal 8
- through body grounds E13, E26 and E28
- to power window main switch terminal 17
- through body grounds M14 and M78
- to front power window switch (passenger side) terminal 11
- through body grounds M14 and M78

MANUAL OPERATION

Front Driver Side Door

WINDOW UP

When the front driver side switch in the power window main switch is pressed in the up position,
Power is supplied

- to front power window regulator (driver side) terminal 2
- through power window main switch terminal 8.

Ground is supplied

- to front power window regulator (driver side) terminal 1
- through power window main switch terminal 11.

Then, the motor raises the window until the switch is released.

WINDOW DOWN

When the front driver side switch in the power window main switch is pressed in the down position
Power is supplied

- to front power window regulator (driver side) terminal 1
- through power window main switch terminal 11.

Ground is supplied

- to front power window regulator (driver side) terminal 2
- through power window main switch terminal 8.

Then, the motor lowers the window until the switch is released.

POWER WINDOW SYSTEM

Front Passenger Side Door

FRONT POWER WINDOW SWITCH (PASSENGER SIDE) OPERATION

Ground is supplied

- to front power window switch (passenger side) terminal 11
- through body grounds M14 and M78.

WINDOW UP

When the front power window switch (passenger side) is pressed in the up position

Power is supplied

- to front power window regulator (passenger side) terminal 2
- through front power window switch (passenger side) terminal 8.

Ground is supplied

- to front power window regulator (passenger side) terminal 1
- through front power window switch (passenger side) terminal 9.

Then, the motor raises the window until the switch is released.

WINDOW DOWN

When the front power window switch (passenger side) is pressed in the down position

Power is supplied

- to front power window regulator (passenger side) terminal 1
- through front power window switch (passenger side) terminal 9.

Ground is supplied

- to front power window regulator (passenger side) terminal 2
- through front power window switch (passenger side) terminal 8.

Then, the motor lowers the window until the switch is released.

POWER WINDOW MAIN SWITCH OPERATION

Signal is sent

- to front power window switch (passenger side) terminal 16
- though power window main switch terminal 14.

The operation of power window after receive the signal is as same as operate the power window with sub-switch (front passenger side).

Rear Door (LH or RH)

REAR POWER WINDOW SWITCH (LH OR RH) OPERATION

WINDOW UP

When the rear power window switch (LH or RH) is pressed in the up position

Power is supplied

- to rear power window regulator (LH or RH) terminal 2
- through rear power window switch (LH or RH) terminal 5.

Ground is supplied

- to rear power window regulator (LH or RH) terminal 1
- through rear power window switch (LH or RH) terminal 4.

Then, the motor raises the window until the switch is released.

WINDOW DOWN

When the rear power window switch (LH or RH) is pressed in the down position

Power is supplied

- to rear power window regulator (LH or RH) terminal 1
- through rear power window switch (LH or RH) terminal 4.

Ground is supplied

- to rear power window regulator (LH or RH) terminal 2
- through rear power window switch (LH or RH) terminal 5.

Then, the motor lowers the window until the switch is released.

A

B

C

D

E

F

G

H

GW

J

K

L

M

POWER WINDOW SYSTEM

POWER WINDOW MAIN SWITCH OPERATION

WINDOW UP

When the power window main switch (rear LH or RH) is pressed in the up position
Power is supplied

- to rear power window switch (LH or RH) terminal 2
- through power window main switch terminal 1 (LH) or 7 (RH)
- to rear power window regulator (LH or RH) terminal 2
- through rear power window switch (LH or RH) terminal 5.

Ground is supplied

- to rear power window regulator (LH or RH) terminal 1
- through rear power window switch (LH or RH) terminal 4
- to power window main switch terminal 3 (RH) or 5 (LH)
- through rear power window switch (LH or RH) terminal 3.

Then, the motor raises the window until the switch is released.

WINDOW DOWN

When the power window main switch (rear LH or RH) is pressed in the down position
Power is supplied

- to rear power window switch (LH or RH) terminal 3
- through power window main switch terminal 3 (LH) or 5 (RH)
- to rear power window regulator (LH or RH) terminal 1
- through rear power window switch (LH or RH) terminal 4.

Ground is supplied

- to rear power window regulator (LH or RH) terminal 2
- through rear power window switch (LH or RH) terminal 5
- to power window main switch terminal 1 (LH) or 7 (RH)
- through rear power window switch (LH or RH) terminal 2

Then, the motor raises the window until the switch is released.

AUTO OPERATION

The power window AUTO feature enables the driver to open or close the window without holding the window switch in the down or up position.

POWER WINDOW SERIAL LINK

Power window main switch, front power window switch (passenger side) and BCM transmit and receive the signal by power window serial link.

The under mentioned signal is transmitted from power window main switch to front power window switch (passenger side)

- Front passenger side door window operation signal.
- Power window control by key cylinder switch signal.
- Power window lock switch signal.

POWER WINDOW LOCK

The power window lock is designed to lock operation of all windows except for driver side door window.

When the lock position, ground of the rear power window switches in the power window main switch is disconnected. This prevents the power window motors from operating.

POWER WINDOW SYSTEM

RETAINED POWER OPERATION

When the ignition switch is turned to the OFF position from ON or START position.

Power is supplied for 45 seconds

- to power window main switch terminal 10.
- to rear power window switch (LH and RH) terminals 1
- from BCM terminal 29.

Then the power window can be operated.

When power and ground are supplied, the BCM continues to be energized, and the power window can be operated.

The retained power operation is canceled when the driver or passenger side door is opened.

RAP signal period can be changed by CONSULT-II. Refer to [GW-31, "CONSULT-II Inspection Procedure"](#) .

ANTI-PINCH SYSTEM

Power window main switch and front power window switch (passenger side) monitors the power window regulator motor operation and the power window position (full closed or other) for driver side and passenger side power window by the signals from encoder and limit switch in front power window regulator (driver side and passenger side).

When power window main switch detects interruption during the following close operation,

- automatic close operation when ignition switch is in the "ON" position
- automatic close operation during retained power operation
- manual close operation during retained power operation

Power window main switch or power window sub-switch (passenger side) controls each power window regulator motor for open and the power window will be lowered about 150 mm (5.91 in).

POWER WINDOW CONTROL BY THE KEY CYLINDER SWITCH

When ignition key switch is OFF, front power window can be opened or closed by turning the front door key cylinder driver side UNLOCK / LOCK position more than 1.5 second over condition.

- Power window can be opened as the door key cylinder is kept fully turning to the UNLOCK position.
- Power window can be closed as the door key cylinder is kept fully turning to the LOCK position.

The power window opening stops when the following operations are carried out.

- While performing open / close the window, power window is stopped at the position as the door key cylinder is placed on NEUTRAL.
- When the ignition switch is turned ON while the power window opening is operated.

A

B

C

D

E

F

G

H

GW

J

K

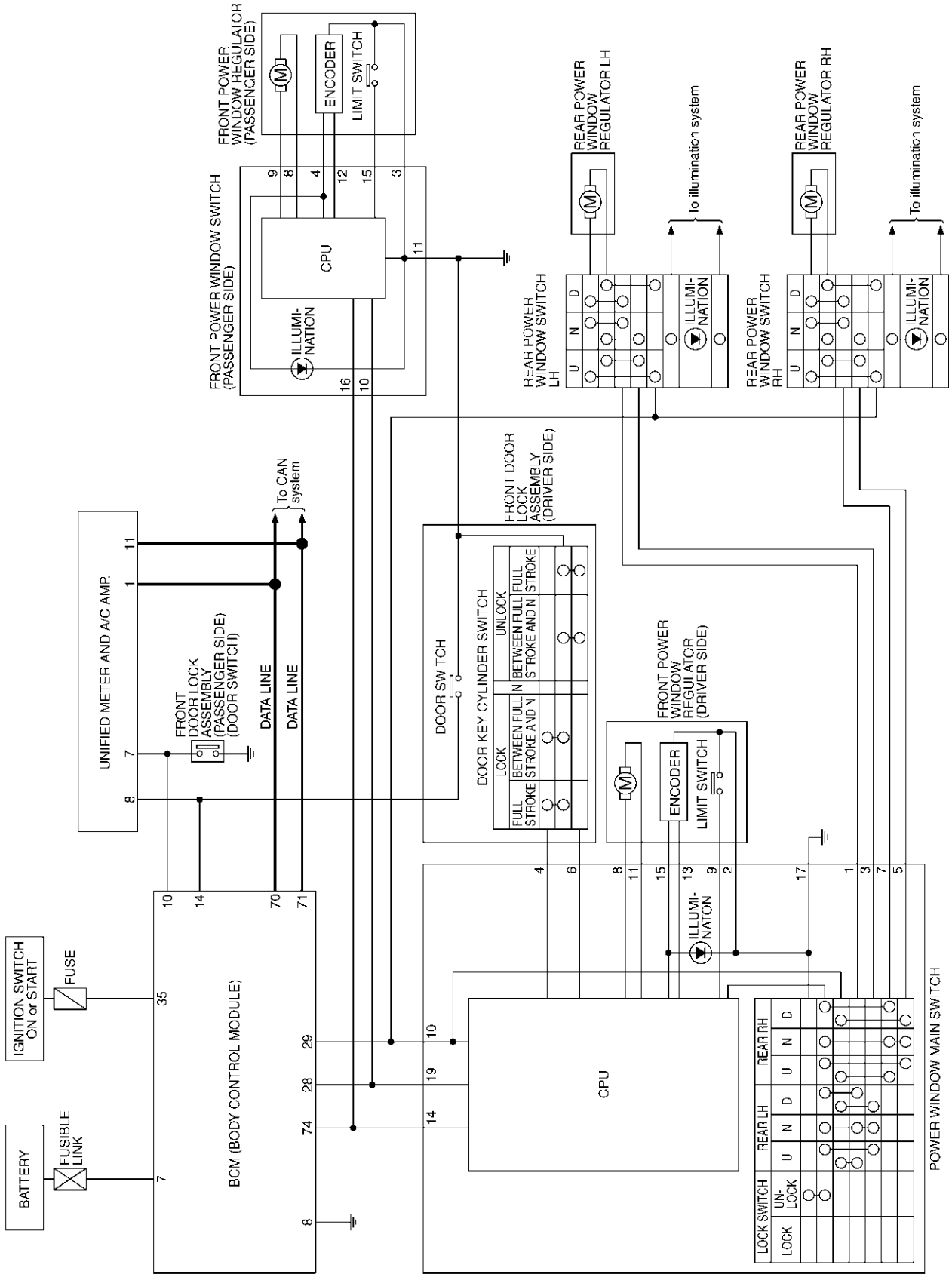
L

M

POWER WINDOW SYSTEM

Schematic

AIS002CP



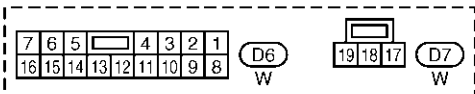
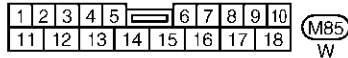
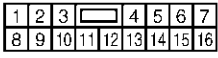
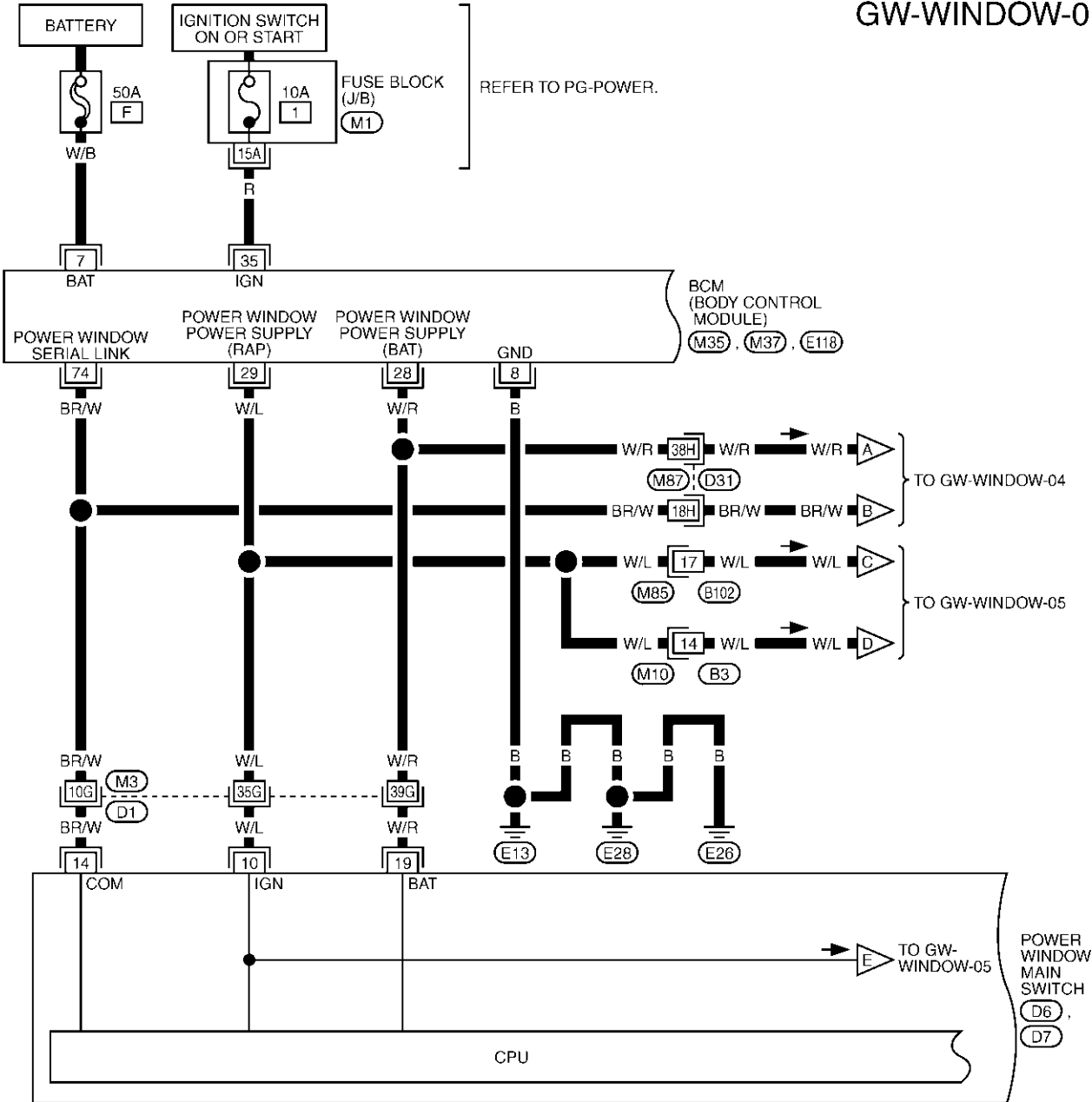
TIWA0285E

POWER WINDOW SYSTEM

Wiring Diagram – WINDOW –

AIS002CQ

GW-WINDOW-01



REFER TO THE FOLLOWING.

(D1), (D31) -SUPER MULTIPLE JUNCTION (SMJ)

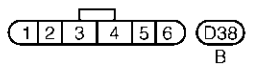
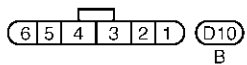
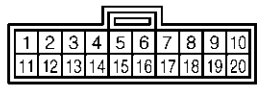
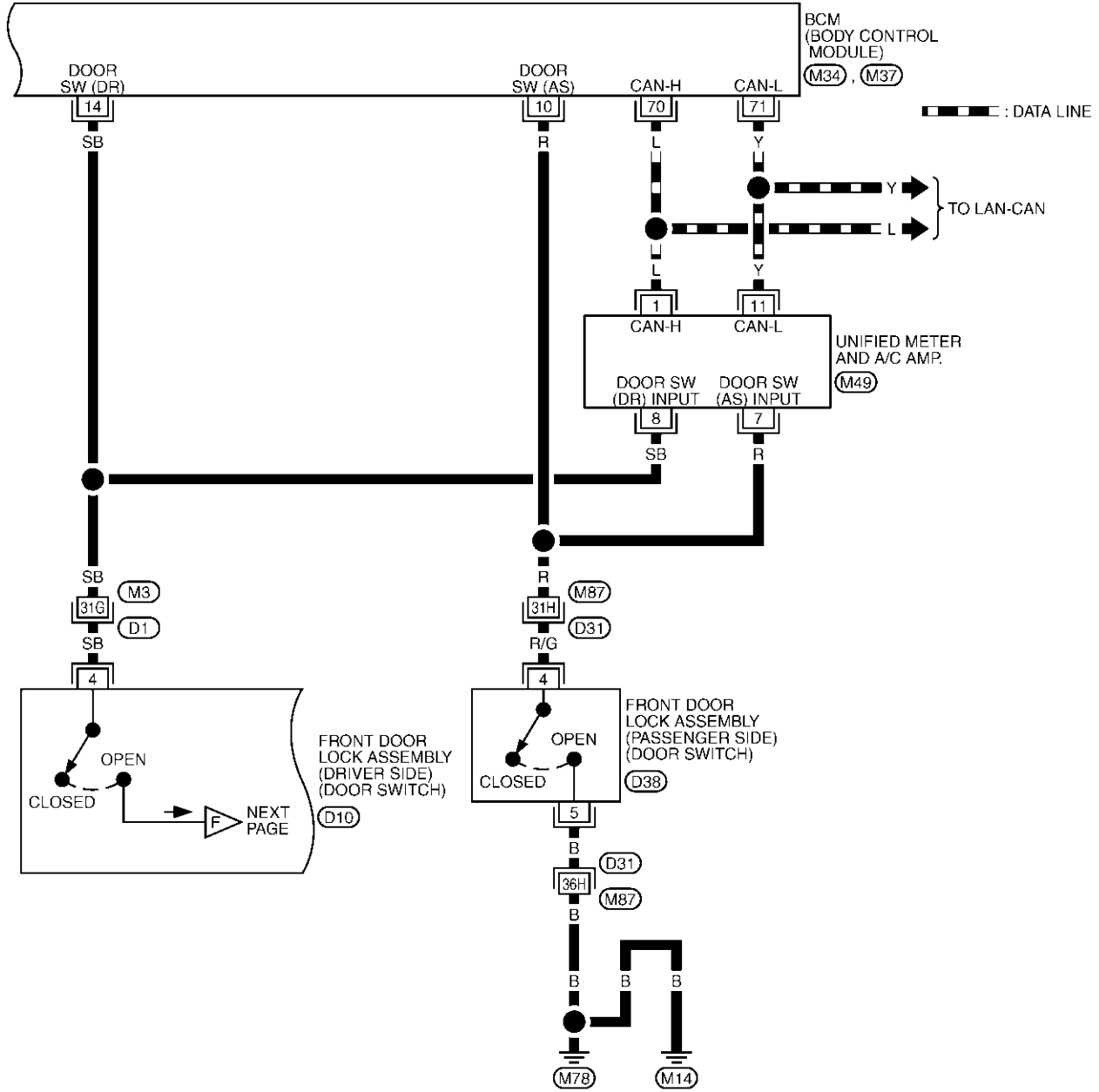
(M1) -FUSE BLOCK-JUNCTION BOX (J/B)

(M35), (M37), (E118) -ELECTRICAL UNITS

TIWA0286E

POWER WINDOW SYSTEM

GW-WINDOW-02



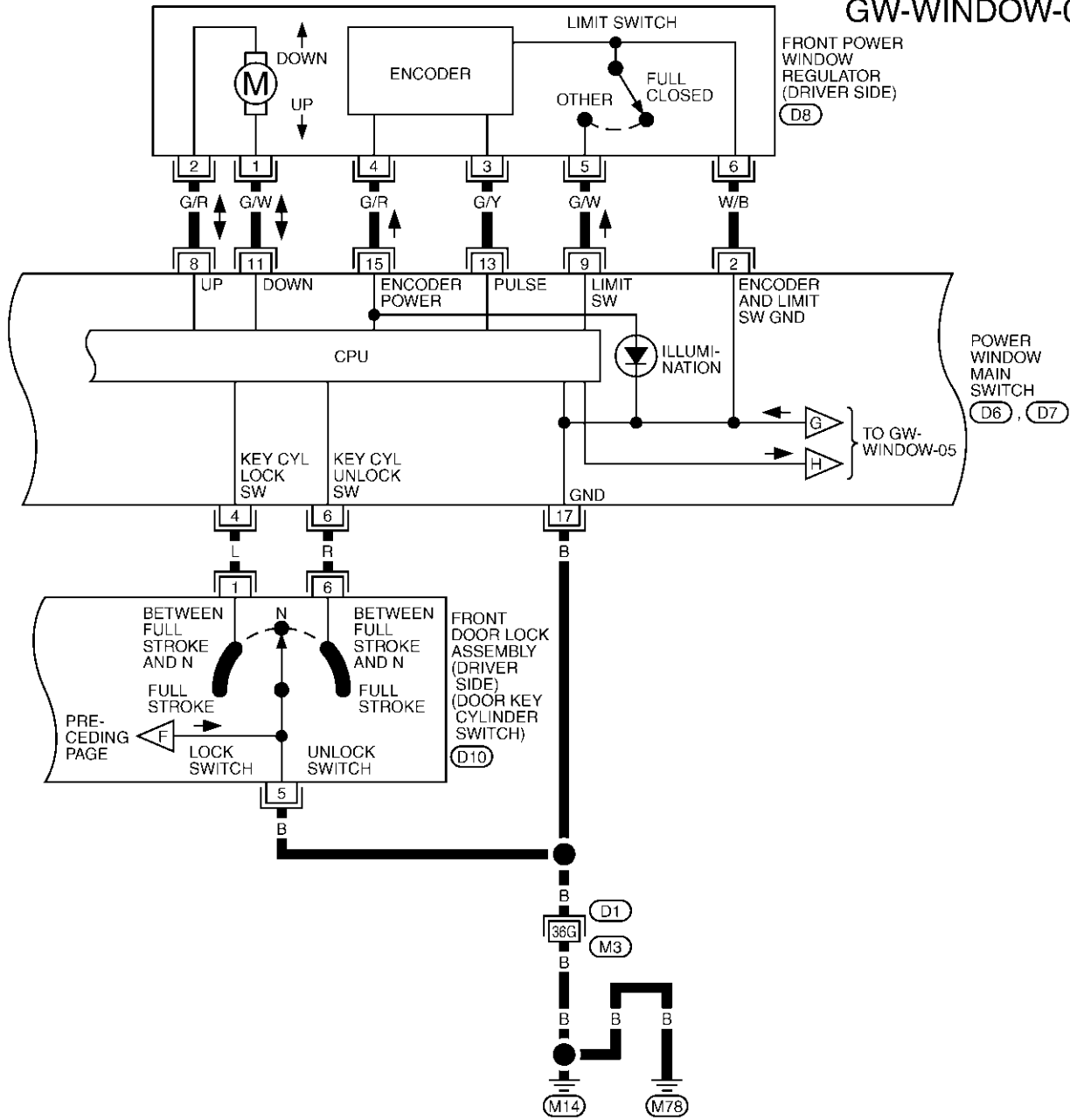
REFER TO THE FOLLOWING.

(D1), (D31) -SUPER MULTIPLE JUNCTION (SMJ)

(M34), (M37) -ELECTRICAL UNITS

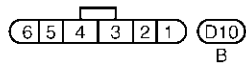
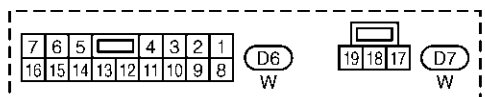
POWER WINDOW SYSTEM

GW-WINDOW-03



A
B
C
D
E
F
G
H
J
K
L
M

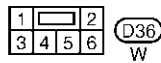
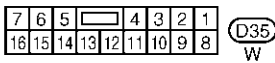
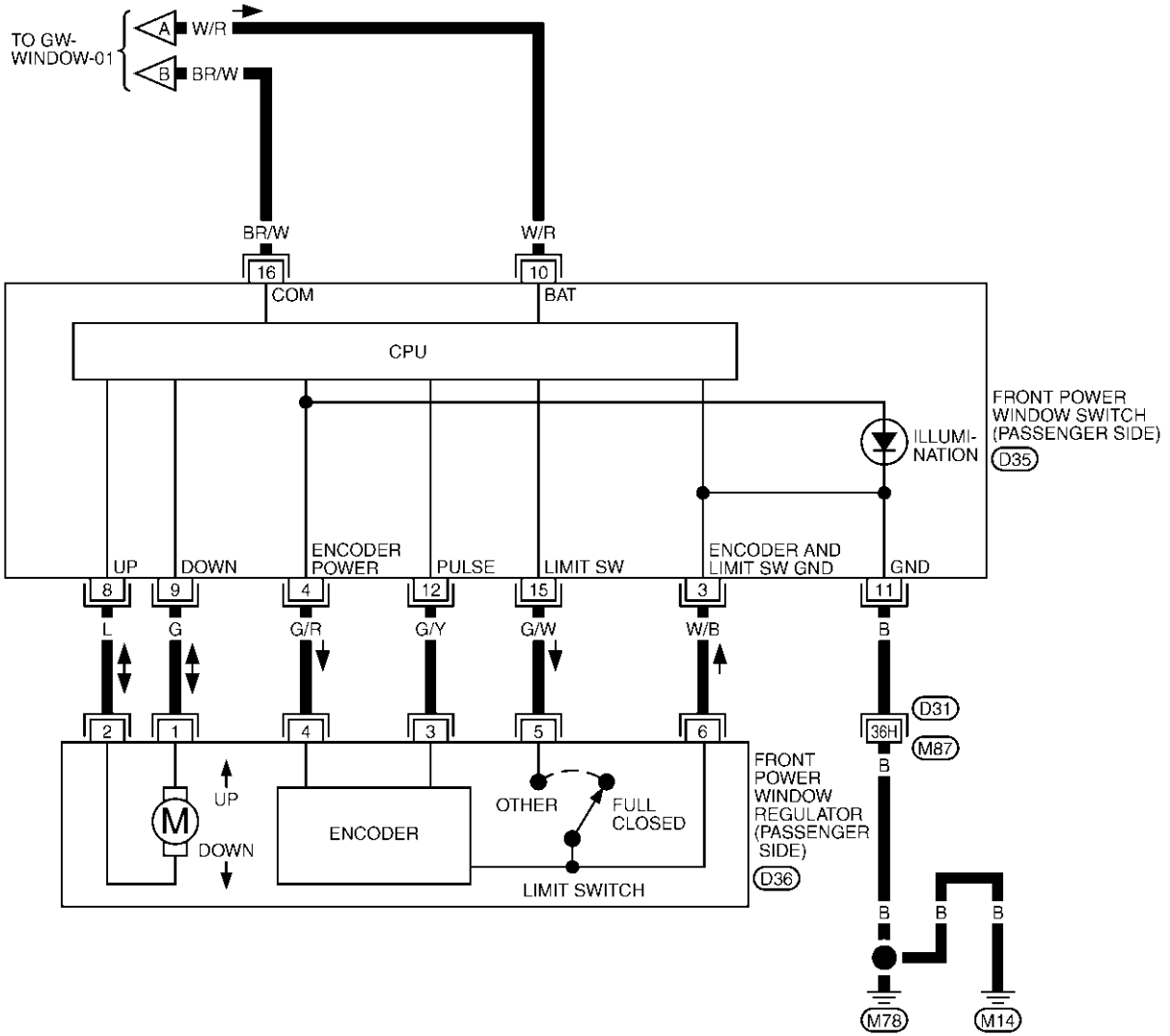
GW



REFER TO THE FOLLOWING.
 (D1) -SUPER MULTIPLE JUNCTION (SMJ)

POWER WINDOW SYSTEM

GW-WINDOW-04

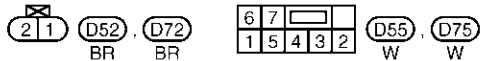
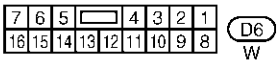
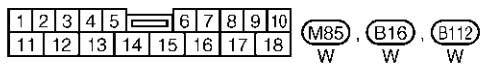
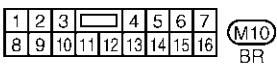
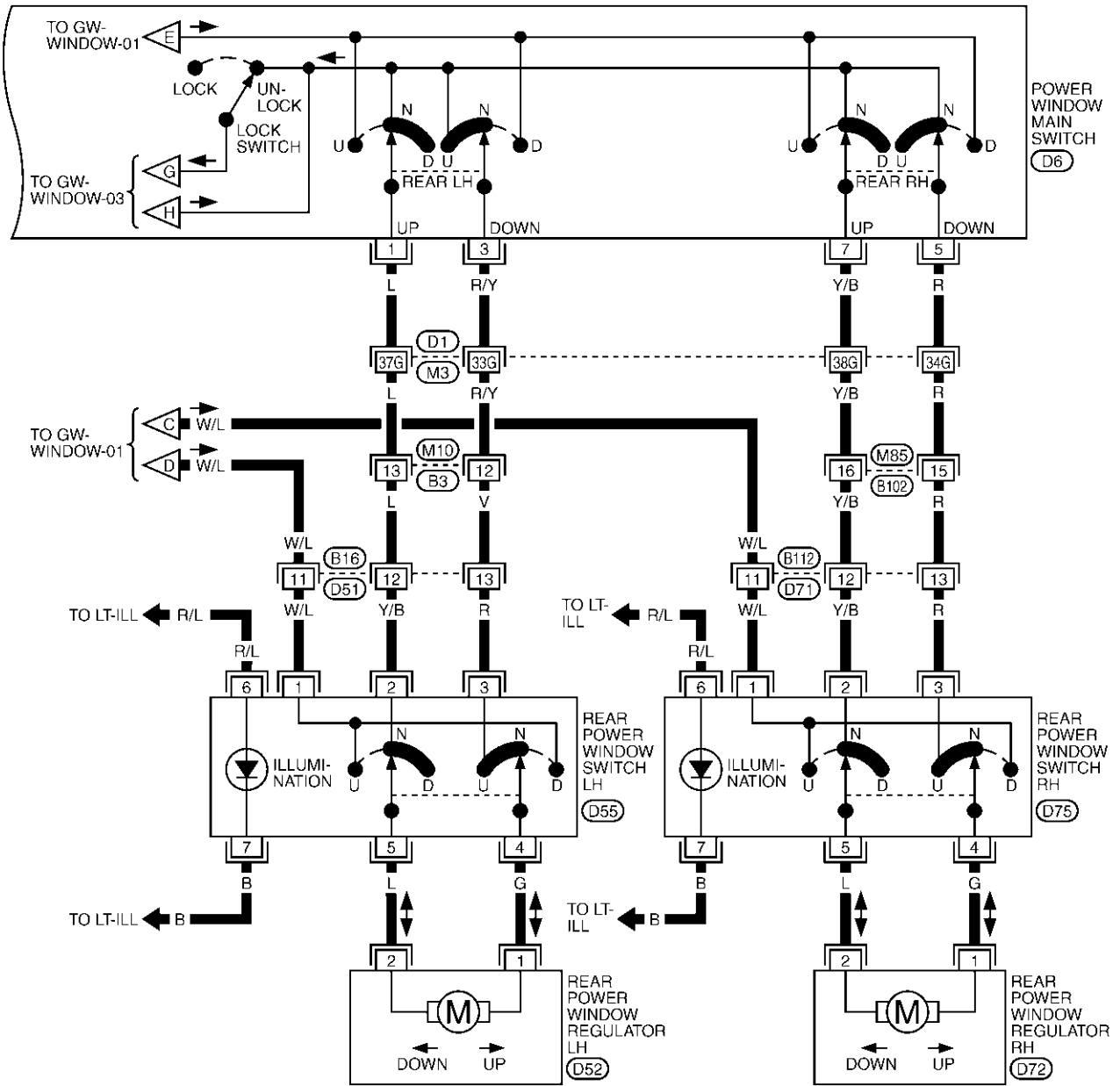


REFER TO THE FOLLOWING.
 (D31) -SUPER MULTIPLE JUNCTION (SMJ)

TIWA0289E

POWER WINDOW SYSTEM

GW-WINDOW-05



REFER TO THE FOLLOWING.

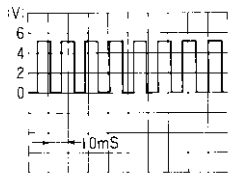
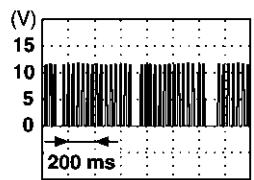
(D1) -SUPER MULTIPLE JUNCTION (SMJ)

A
B
C
D
E
F
G
H
GW
J
K
L
M

POWER WINDOW SYSTEM

Terminal and Reference Value for Power Window Main Switch

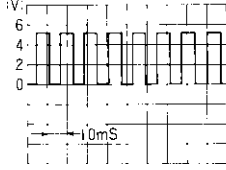
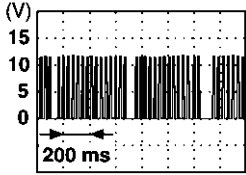
AIS002CR

Terminal	Wire color	Item	Condition	Voltage (V) (Approx.)
1	L	Rear LH power window UP signal	when rear LH switch in power window main switch is UP at operated.	Battery voltage
2	W/B	Limit switch and encoder ground	—	0
3	R/Y	Rear LH power window DOWN signal	When rear LH switch in power window main switch is DOWN at operated.	Battery voltage
4	L	Key cylinder switch lock signal	Key position (Neutral → Locked)	5 → 0
5	R	Rear RH power window DOWN signal	When rear RH switch in power window main switch is DOWN at operated.	Battery voltage
6	R	Key cylinder switch unlock signal	Key position (Neutral → Unlocked)	5 → 0
7	Y/B	Rear RH power window UP signal	When rear RH switch in power window main switch is UP at operated.	Battery voltage
8	G/R	Front driver side power window motor UP signal	When power window motor is UP at operated	Battery voltage
9	G/W	Limit switch signal	Driver side door window is between fully-open and just before fully-closed position (ON)	0
			Driver side door window is between just before fully-closed position and fully-closed position (OFF)	5
10	W/L	RAP signal	IGN SW ON	Battery voltage
			More than 45 seconds after ignition switch is turned to OFF	0
			When driver side door or passenger side open in power window timer is operates	0
11	G/W	Front driver side power window motor DOWN signal	When power window motor is DOWN at operated	Battery voltage
13	G/Y	Encoder pulse signal	When power window motor operates.	 <p style="text-align: right;">OCC3383D</p>
14	BR/W	Power window serial link	IGN SW ON or power window timer operating.	 <p style="text-align: right;">PIIA2344J</p>
15	G/R	Encoder power supply	IGN SW ON or power window timer operating.	10
17	B	Ground	—	0
19	W/R	Battery power supply	—	Battery voltage

POWER WINDOW SYSTEM

Terminal and Reference Value for Front Power Window Switch (Passenger Side)

AIS002CS

Terminal	Wire color	Item	Condition	Voltage (V) (Approx.)
3	W/B	Limit switch and encoder ground	—	0
4	G/R	Encoder power supply	IGN SW ON or power window timer operating.	10
8	L	Front passenger side power window motor UP signal	When power window motor is UP at operated.	Battery voltage
9	G	Front passenger side power window motor DOWN signal	When power window motor is DOWN at operated.	Battery voltage
10	W/R	Battery power supply	—	Battery voltage
11	B	Ground	—	0
12	G/Y	Encoder pulse signal	When power window motor operates.	
15	G/W	Limit switch signal	Passenger side door window is between fully-open and just before fully-closed position (ON)	0
			Passenger side door window is between just before fully-closed position and fully-closed position (OFF)	5
16	BR/W	Power window serial link	IGN SW ON or power window timer operating.	

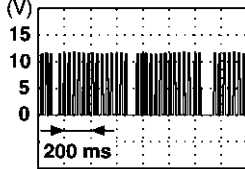
A
B
C
D
E
F
G
H
J
K
L
M

GW

POWER WINDOW SYSTEM

Terminal and Reference Value for BCM

AIS002CT

Terminal	Wire color	Item	Condition	Voltage (V) (Approx.)
7	W/B	Battery power supply	—	Battery voltage
8	B	Ground	—	0
10*	R	Door switch passenger side signal	ON (Open)	0
			OFF (Close)	Battery voltage
14*	SB	Door switch driver side signal	ON (Open)	0
			OFF (close)	Battery voltage
28	W/R	Power window power supply	—	Battery voltage
29	W/L	RAP signal	IGN SW ON	Battery voltage
			More then 45 seconds after ignition switch is turned to OFF	0
			When driver side or passenger side is open in power window timer is operates	0
35	R	Ignition switch (ON or START)	Ignition switch (ON or START position)	Battery voltage
70	L	CAN H	—	—
71	Y	CAN L	—	—
74	BR/W	Power window link signal	Ignition switch is ON or power window retained power operation is activated.	

PIIA2344J

*: Does not use to control the power window timer usually.

Use to control the power window timer when meter and A/C amp. or CAN communication is non-standard condition.

Work Flow

AIS002CZ

1. Check the symptom and customer's requests.
2. Understand the outline of system. Refer to [GW-18, "System Description"](#)
3. According to the trouble diagnosis chart, repair or replace the cause of the malfunction. Refer to [GW-33, "Trouble Diagnosis Symptom Chart"](#)
4. Does power window system operate normally? Yes, GO TO 5, If No, GO TO 3.
5. INSPECTION END

POWER WINDOW SYSTEM

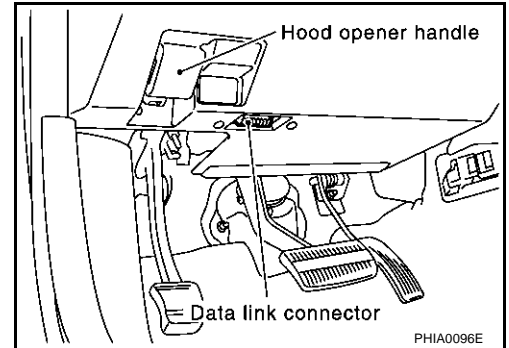
CONSULT-II Inspection Procedure

AIS002D0

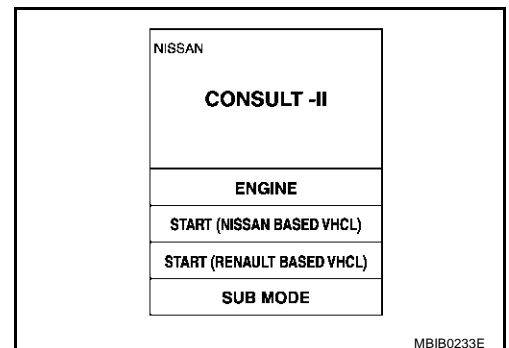
CAUTION:

If CONSULT-II is used with no connection of CONSULT-II CONVERTER, malfunction might be detected in self-diagnosis depending on control unit which carry out CAN communication.

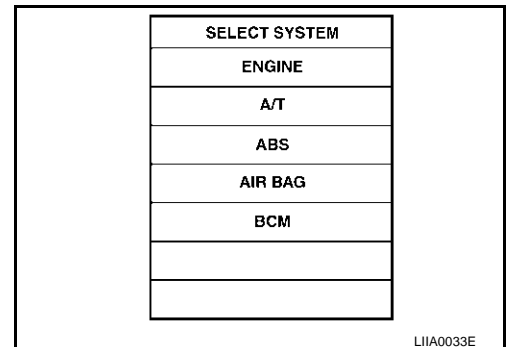
1. Turn ignition switch "ON".
2. Connect "CONSULT-II" to the data link connector.



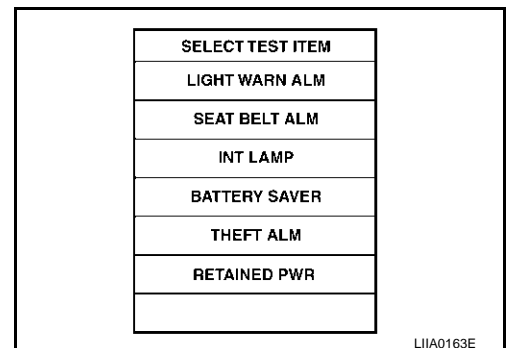
3. Turn ignition switch "ON".
4. Touch "START (NISSAN BASED VHCL)".



5. Touch "BCM".
If "BCM" is not indicated, go to Refer to [GI-38](#) , "CONSULT-II Date Link Connector (DLC) Circuit"



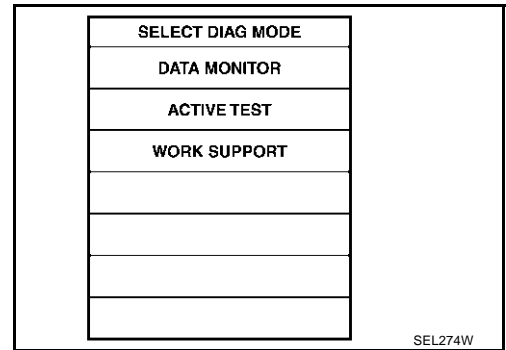
6. Touch "RETAINED PWR".



A
B
C
D
E
F
G
H
GW
J
K
L
M

POWER WINDOW SYSTEM

7. Select diagnosis mode.
 “ACTIVE TEST” and “WORK SUPPORT” are available.



ACTIVE TEST

Test Item	Description
RETAINED PWR	<p>This test is able to supply RAP signal (power) from BCM (body control module) to power window system and power sunroof system (if equipped). Those systems can be operated when turning on “RETAINED PWR” on CONSULT-II screen even if the ignition switch is turned OFF.</p> <p>NOTE: During this test, CONSULT-II can be operated with ignition switch in “OFF” position. “RETAINED PWR” should be turned “ON” or “OFF” on CONSULT-II screen when ignition switch is ON. Then turn ignition switch OFF to check retained power operation. CONSULT-II might be stuck if “RETAINED PWR” is turned to “ON” or “OFF” on CONSULT-II screen when ignition switch is OFF.</p>
POWER WINDOW DOWN	<p>This test able to transmitted of power window down signal from BCM to power window main switch and front power window switch (passenger side).</p>

WORK SUPPORT

Work item	Description
RETAINED PWR	<p>RAP signal’s power supply period can be changed by mode setting. Selects RAP signal’s power supply period between three steps</p> <ul style="list-style-type: none"> ● MODE1 (45 sec.) / MODE2 (OFF) / MODE 3 (2 min.).

DATA MONITOR

Work item	Description
IGN ON SW	Indicates (ON / OFF) condition of ignition switch
DOOR SW–DR	Indicates (ON / OFF) condition of front door switch driver side
DOOE SW–AS	Indicates (ON / OFF) condition of front door switch passenger side
LOCK SW DR/AS	Indicates (ON / OFF) condition of lock signal from lock and unlock switch on power window main switch or front power window switch (passenger side).
UNLK SW DR/AS	Indicates (ON / OFF) condition of unlock signal from lock and unlock switch on power window main switch or front power window switch (passenger side).
KEY CYL LK-SW	Indicates (ON / OFF) condition of lock signal from key cylinder.
KEY CYL UN-SW	Indicates (ON / OFF) condition of unlock signal from key cylinder.

POWER WINDOW SYSTEM

Trouble Diagnosis Symptom Chart

AIS002D1

- Make sure other systems using the signal of the following systems operate normally.

Symptom	Repair order	Refer to page
None of the power windows can be operated using any switch.	1. BCM power supply and ground circuit check	GW-34
	2. Power window main switch power supply and ground circuit check	GW-35
	3. Power window serial link check	GW-55
	4. Replace BCM.	BCS-36
Driver side power window alone does not operate.	1. Power window regulator (driver side) circuit check	GW-37
	2. Replace power window main switch	EI-30
Front passenger side power window alone does not operate.	1. Front power window switch (passenger side) power and ground circuit check	GW-36
	2. Power window serial link check	GW-55
	3. Front power window regulator (passenger side) circuit check	GW-38
	4. Replace BCM.	BCS-36
Rear LH side power window alone does not operate.	1. Rear power window regulator (LH) circuit check	GW-39
Rear RH side power window alone does not operate.	1. Rear power window regulator (RH) circuit check	GW-41
Anti-pinch system does not operate normally (driver side).	1. Door window sliding part malfunction <ul style="list-style-type: none"> ● A foreign material adheres to window glass or glass run rubber. ● Glass run rubber wear or deformation. ● Sash is tilted too much, or no enough. 	—
	2. Limit switch adjusting	GW-60
	3. Limit switch circuit check (driver side)	GW-43
	4. Encoder circuit check (driver side)	GW-46
Anti-pinch system does not operate normally (passenger side).	1. Door window sliding part malfunction <ul style="list-style-type: none"> ● A foreign material adheres to window glass or glass run rubber. ● Glass run rubber wear or deformation. ● Sash is tilted too much, or no enough. 	—
	2. Limit switch adjusting	GW-60
	3. Limit switch circuit check (passenger side)	GW-44
	4. Encoder circuit check (passenger side)	GW-48
Power window retained power operation does not operate properly.	1. Check the retained power operation mode setting.	GW-32
	2. Door switch check	GW-51
	3. Replace BCM.	BCS-36
Does not operate by key cylinder switch.	1. Door key cylinder switch check	GW-53
	2. Replace power window main switch	EI-30
Power window lock switch does not function.	1. Power window serial link check	GW-55
	2. Power window lock switch check	GW-57
Auto operation does not operate but manual operate normally. (driver side)	1. Encoder circuit check (driver side)	GW-46
	2. Replace power window main switch	EI-30

A
B
C
D
E
F
G
H
J
K
L
M

GW

POWER WINDOW SYSTEM

Symptom	Repair order	Refer to page
Auto operation does not operate but manual operate normally. (passenger side)	1. Encoder circuit check (passenger side)	GW-48
	2. Replace front power window switch (passenger side)	EI-30

BCM Power Supply and Ground Circuit Check

AIS002D3

1. CHECK FUSE

- Check 10A fuse [No.1, located in fuse block (J/B)]
- Check 50A fusible link (letter **F** located in the fuse and fusible link box)

NOTE:

Refer to [GW-17, "Component Parts and Harness Connector Location"](#).

OK or NG

OK >> GO TO 2.

NG >> If fuse is blown, be sure to eliminate cause of malfunction before installing new fuse. Refer to [PG-3, "POWER SUPPLY ROUTING CIRCUIT"](#).

2. CHECK POWER SUPPLY CIRCUIT

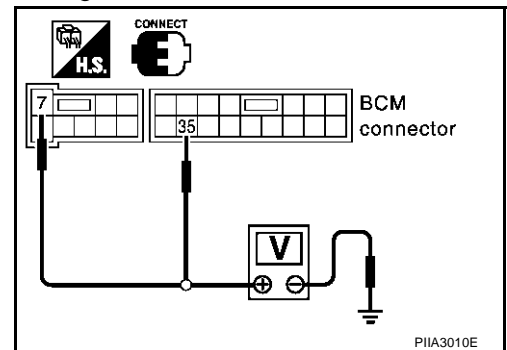
1. Turn ignition switch ON.
2. Check voltage between BCM connector M35, E118 terminal 7, 35 and ground.

7 (W/B) – Ground : Battery voltage
35 (R) – Ground : Battery voltage

OK or NG

OK >> GO TO 3.

NG >> Check BCM power supply circuit for open or short.



3. CHECK GROUND CIRCUIT

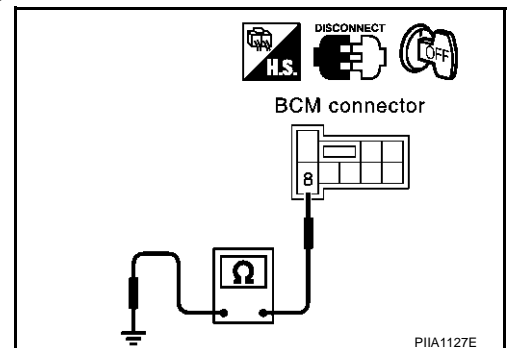
1. Turn ignition switch OFF.
2. Disconnect BCM connector.
3. Check continuity between BCM connector E118 terminal 8 and ground.

8 (B) – Ground : Continuity should exist.

OK or NG

OK >> BCM power supply and ground circuit is OK.

NG >> Check BCM ground circuit for open or short.



POWER WINDOW SYSTEM

Power Window Main Switch Power Supply Circuit Check

AIS002D5

1. CHECK POWER SUPPLY CIRCUIT

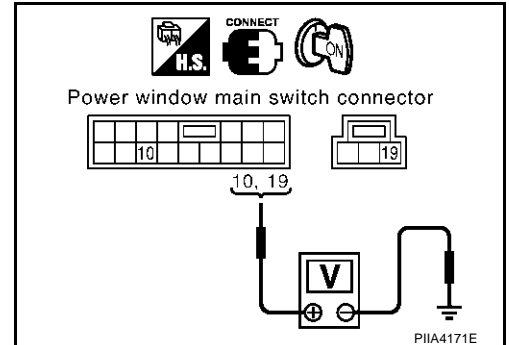
1. Turn ignition switch ON.
2. Check voltage between power window main switch connector D6, D7 terminals 10, 19 and ground.

10 (W/L) – Ground : Battery voltage

19 (W/R) – Ground : Battery voltage

OK or NG

- OK >> Power window main switch power supply and ground circuit is OK.
NG >> GO TO 2.



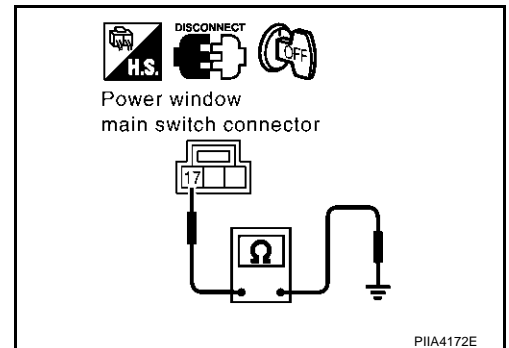
2. CHECK GROUND CIRCUIT

1. Turn ignition switch OFF.
2. Disconnect power window main switch connector.
3. Check continuity between power window main switch connector D7 terminal 17 and ground.

17 (B) – Ground : Continuity should exist.

OK or NG

- OK >> GO TO 3.
NG >> Repair or replace harness.



3. CHECK HARNESS CONTINUITY

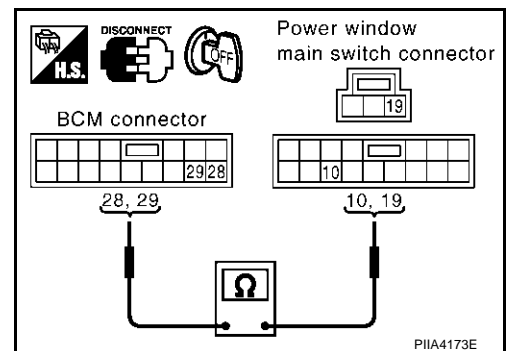
1. Disconnect BCM connector.
2. Check continuity between BCM connector M35 terminals 28, 29 and power window main switch connector D6, D7 terminal 10, 19.

28 (W/R) – 19 (W/R) : Continuity should exist.

29 (W/L) – 10 (W/L) : Continuity should exist.

OK or NG

- OK >> GO TO 4.
NG >> Repair or replace harness between BCM and power window main switch.



POWER WINDOW SYSTEM

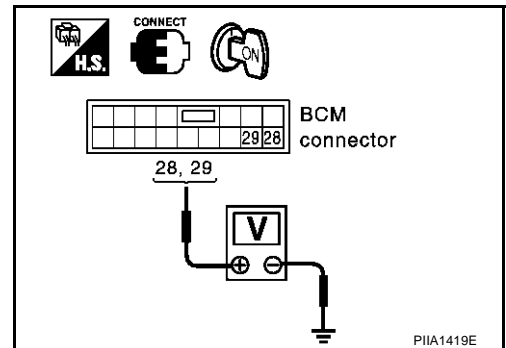
4. CHECK BCM OUTPUT SIGNAL

1. Connect BCM connector.
2. Turn ignition switch ON.
3. Check voltage between BCM connector M35 terminal 28, 29 and ground.

28 (W/R) – Ground : Battery voltage
29 (W/L) – Ground : Battery voltage

OK or NG

- OK >> Check the condition of the harness and the connector.
NG >> Replace BCM.



Front Power Window Switch (Passenger Side) Power Supply and Ground Circuit Check

AI/S002D6

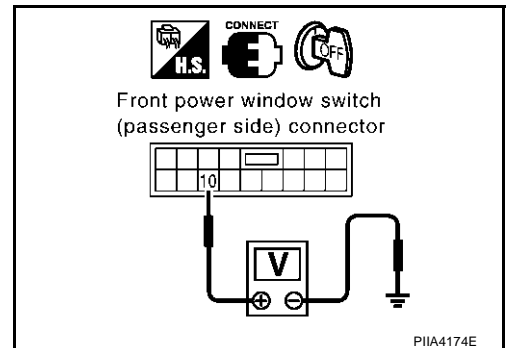
1. CHECK POWER SUPPLY CIRCUIT

1. Turn ignition switch ON.
2. Check voltage between front power window switch (passenger side) connector D35 terminal 10 and ground.

10 (W/R) – Ground : Battery voltage

OK or NG

- OK >> Front power window switch (passenger side) power supply and ground circuit is OK.
NG >> GO TO 2.



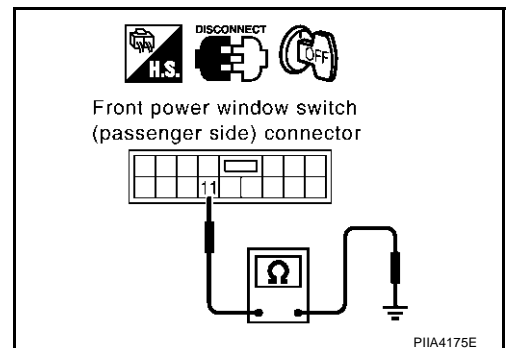
2. CHECK GROUND CIRCUIT

1. Turn ignition switch OFF.
2. Disconnect front power window switch (passenger side) connector.
3. Check continuity between front power window switch (passenger side) connector D35 terminal 11 and ground.

11 (B) – Ground : Continuity should exist.

OK or NG

- OK >> GO TO 3.
NG >> Repair or replace harness.



POWER WINDOW SYSTEM

3. CHECK HARNESS CONTINUITY

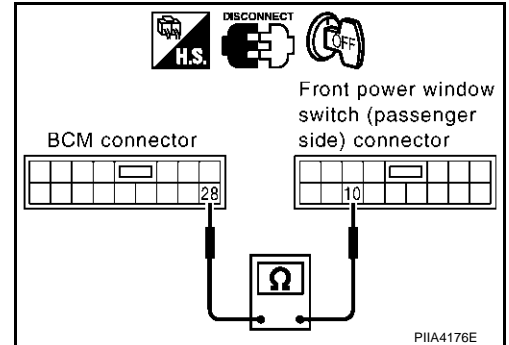
1. Disconnect BCM connector.
2. Check continuity between BCM connector M35 terminal 28 and front power window switch (passenger side) connector D35 terminal 10.

28 (W/R) – 10 (W/R) : Continuity should exist.

OK or NG

OK >> GO TO 4.

NG >> Repair or replace harness between BCM and front power window switch (passenger side).



4. CHECK BCM OUTPUT SIGNAL

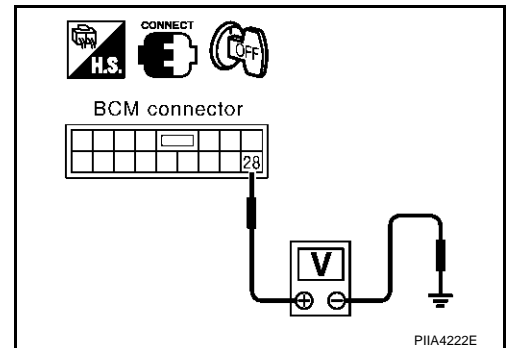
1. Connect BCM connector.
2. Turn ignition switch ON.
3. Check voltage between BCM connector M35 terminal 28 and ground.

28 (W/R) – Ground : Battery voltage

OK or NG

OK >> Check the condition of the harness and the connector.

NG >> Replace BCM.



Front Power Window Regulator (Driver Side) Circuit Check

1. CHECK POWER WINDOW MAIN SWITCH OUTPUT SIGNAL

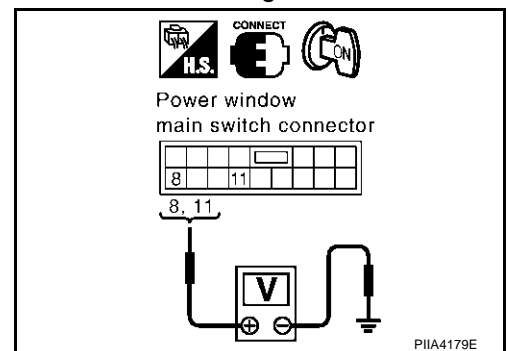
1. Turn igniting switch ON.
2. Check voltage between power window main switch connector D6 terminals 8, 11 and ground.

Connector	Terminals (Wire color)		Condition of power window main switch	Voltage (V) (Approx.)
	(+)	(-)		
D6	8 (G/R)	Ground	Up	Battery voltage
			Down	0
	11 (G/W)		Up	0
			Down	Battery voltage

OK or NG

OK >> GO TO 2.

NG >> Replace power window main switch.



POWER WINDOW SYSTEM

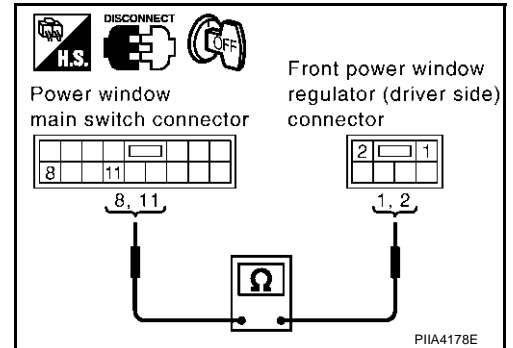
2. CHECK HARNESS CONTINUITY

1. Turn ignition switch OFF.
2. Disconnect power window main switch and front power window regulator (driver side) connector.
3. Check continuity between power window main switch connector D6 terminal 8, 11 and front power window regulator (driver side) connector D8 terminals 1,2.

8 (G/R) – 2 (G/R) : Continuity should exist.
11 (G/W) – 1 (G/W) : Continuity should exist.

OK or NG

- OK >> Replace front power window motor (driver side).
 NG >> Repair or replace harness between power window main switch and front power window regulator (driver side).



Front Power Window Regulator (Passenger Side) Circuit Check

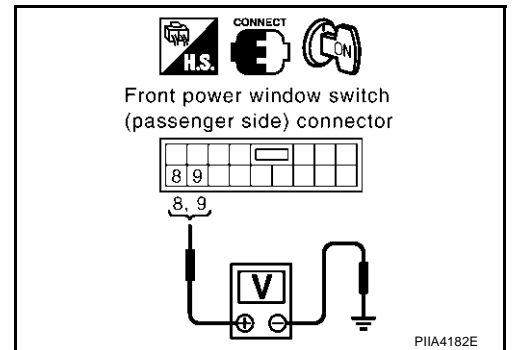
AIS002DA

1. CHECK FRONT POWER WINDOW SWITCH (PASSENGER SIDE) OUTPUT SIGNAL

1. Turn igniting switch ON.
2. Check voltage between front power window switch (passenger side) connector D35 terminals 8, 9 and ground.

Connector	Terminals (Wire color)		Condition of switch*	Voltage (V) (Approx.)
	(+)	(-)		
D35	8 (L)	Ground	Up	Battery voltage
			Down	0
	9 (G)		Up	0
			Down	Battery voltage

*: Power window main switch or front power window switch (passenger side)



OK or NG

- OK >> GO TO 2.
 NG >> Replace front power window switch (passenger side).

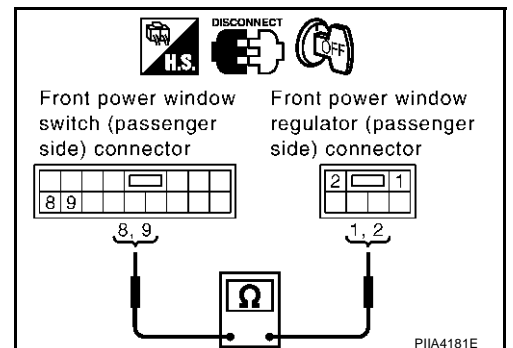
2. CHECK HARNESS CONTINUITY

1. Turn ignition switch OFF.
2. Disconnect front power window switch (passenger side) and front power window regulator (passenger side) connector.
3. Check continuity between front power window switch (passenger side) connector D35 terminals 8,9 and front power window regulator (passenger side) connector D36 terminals 1, 2.

8 (L) – 2 (L) : Continuity should exist.
9 (G) – 1 (G) : Continuity should exist.

OK or NG

- OK >> Replace front power window motor (passenger side).
 NG >> Repair or replace harness between front power window switch (passenger side) and front power window regulator (passenger side).



POWER WINDOW SYSTEM

AIS002DB

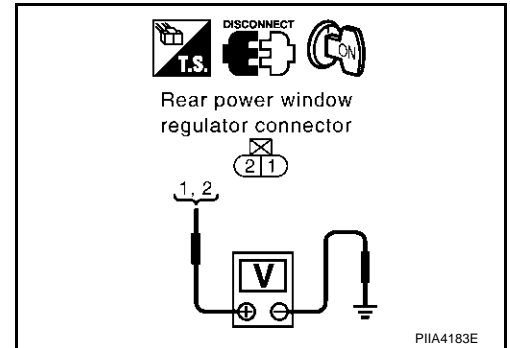
Rear Power Window Regulator (LH) Circuit Check

1. CHECK REAR POWER WINDOW SWITCH (LH) OUTPUT SIGNAL

1. Turn ignition switch OFF.
2. Disconnect rear power window regulator (LH).
3. Turn ignition switch ON.
4. Check voltage between rear power window switch (LH) connector D52 terminals 1, 2 and ground.

Connector	Terminals (Wire color)		Condition of switch*	Voltage (V) (Approx.)
	(+)	(-)		
D52	1 (G)	Ground	Up	0
			Down	Battery voltage
	2 (L)		Up	Battery voltage
			Down	0

*: Power window main switch or rear power window switch LH



OK or NG

- OK >> Replace rear power window motor (LH).
 NG >> GO TO 2.

2. CHECK HARNESS CONTINUITY 1

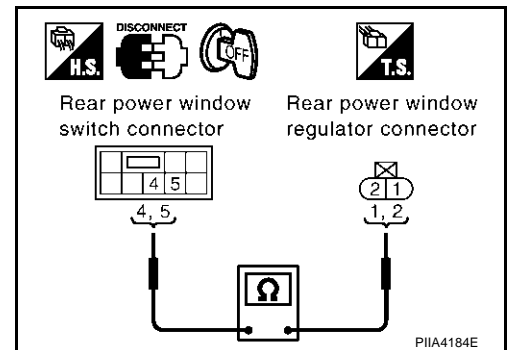
1. Turn ignition switch OFF.
2. Disconnect rear power window switch (LH) connector.
3. Check continuity between rear power window switch (LH) connector D55 terminal 4, 5 and rear power window regulator (LH) connector D52 terminals 1, 2.

4 (G) – 1 (G) : Continuity should exist.

5 (L) – 2 (L) : Continuity should exist.

OK or NG

- OK >> GO TO 3.
 NG >> Repair or replace harness between rear power window switch (LH) and rear power window regulator (LH).



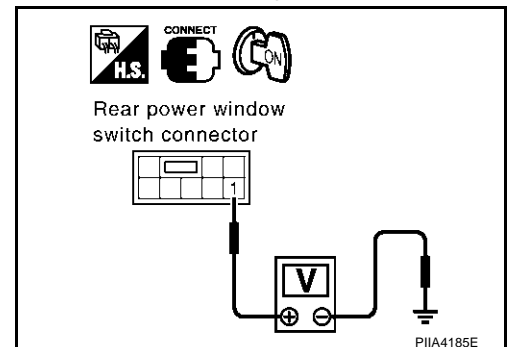
3. CHECK REAR POWER WINDOW SWITCH (LH) POWER SUPPLY

1. Connect rear power window switch (LH) connector.
2. Turn ignition switch ON.
3. Check voltage between rear power window switch (LH) connector D55 terminal 1 and ground.

1 (W/L) – Ground : Battery voltage

OK or NG

- OK >> GO TO 4.
 NG >> Repair or replace harness.



POWER WINDOW SYSTEM

4. CHECK REAR POWER WINDOW SWITCH LH

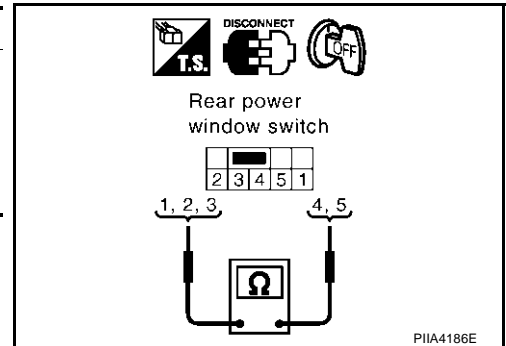
1. Turn igniting switch OFF.
2. Disconnect rear power window switch (LH) connector.
3. Check continuity between rear power window switch (LH) connector D55 terminals 1, 2, 3 and 4, 5.

Terminal	Switch condition	Continuity
1	DOWN position	Yes
3		
1	UP position	
2		
4	Free	
5	Free	

OK or NG

OK >> GO TO 5.

NG >> Replace rear power window switch (LH).



5. CHECK POWER WINDOW MAIN SWITCH OUTPUT SIGNAL

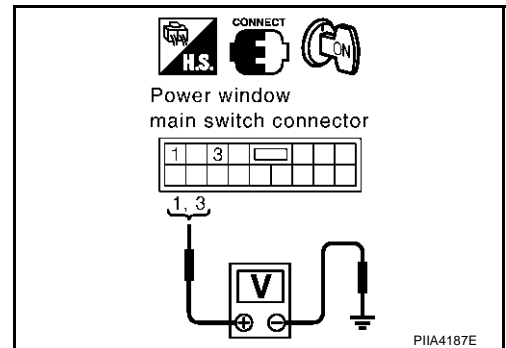
1. Turn ignition switch ON.
2. Power window main switch is operated, check voltage between power window main switch connector D6 terminals 1, 3 and ground.

Connector	Terminals (Wire color)		Condition	Voltage (V) (Approx.)
	(+)	(-)		
D6	1 (Y)	Ground	Up	Battery voltage
			Down	0
	3 (R)		Up	0
			Down	Battery voltage

OK or NG

OK >> GO TO 6.

NG >> Replace power window main switch.



6. CHECK HARNESS CONTINUITY

1. Turn ignition switch OFF.
2. Disconnect power window main switch connector.
3. Check continuity between power window main switch connector D6 terminals 1, 3 and rear power window switch (LH) connector D55 terminals 2, 3.

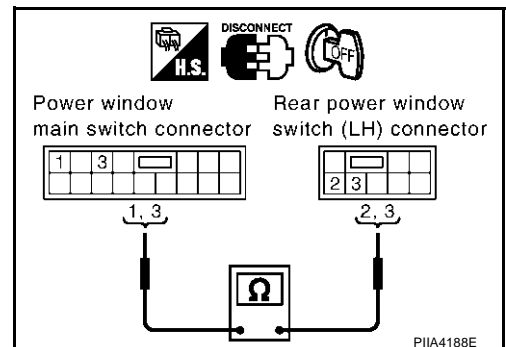
1 (Y) – 2 (Y) : Continuity should exist.

3 (R) – 3 (R) : Continuity should exist.

OK or NG

OK >> Check the condition of the harness and the connector.

NG >> Repair or replace harness between power window main switch and rear power window switch (LH).



POWER WINDOW SYSTEM

AIS002DC

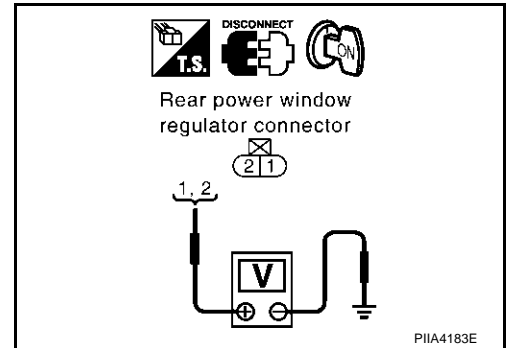
Rear Power Window Regulator (RH) Circuit Check

1. CHECK REAR POWER WINDOW SWITCH (RH) OUTPUT SIGNAL

1. Turn ignition switch OFF.
2. Disconnect rear power window regulator (RH).
3. Turn ignition switch ON.
4. Check voltage between rear power window switch (RH) connector D72 terminal 1, 2 and ground.

Connector	Terminals (Wire color)		Condition of switch*	Voltage (V) (Approx.)
	(+)	(-)		
D72	1 (G)	Ground	Up	0
			Down	Battery voltage
	2 (L)		Up	Battery voltage
			Down	0

*: Power window main switch or rear power window switch RH



OK or NG

- OK >> Replace rear power window motor (RH).
 NG >> GO TO 2.

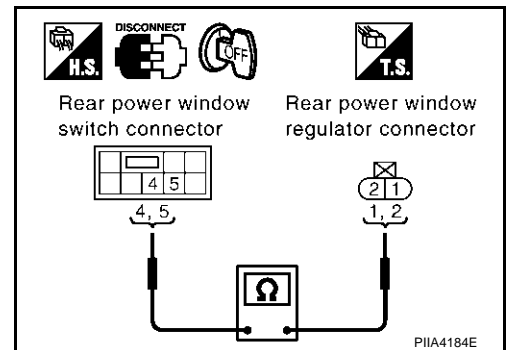
2. CHECK HARNESS CONTINUITY 1

1. Turn ignition switch OFF.
2. Disconnect rear power window switch (RH) connector.
3. Check continuity between rear power window switch (RH) connector D75 terminals 4, 5 and rear power window regulator (RH) connector D72 terminal 1, 2.

4 (G) – 1 (G) : Continuity should exist.
5 (L) – 2 (L) : Continuity should exist.

OK or NG

- OK >> GO TO 3.
 NG >> Repair or replace harness between rear power window switch (RH) and rear power window regulator (RH).



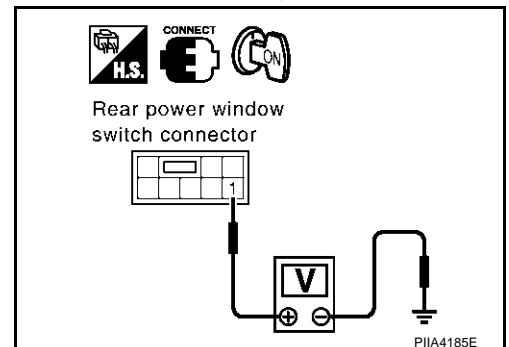
3. CHECK REAR POWER WINDOW SWITCH (RH) POWER SUPPLY

1. Connect rear power window switch (RH) connector.
2. Turn ignition switch ON.
3. Check voltage between rear power window switch (RH) connector D75 terminal 1 and ground.

1 (W/L) – Ground : Battery voltage

OK or NG

- OK >> GO TO 4.
 NG >> Repair or replace harness.



POWER WINDOW SYSTEM

4. CHECK REAR POWER WINDOW SWITCH (RH)

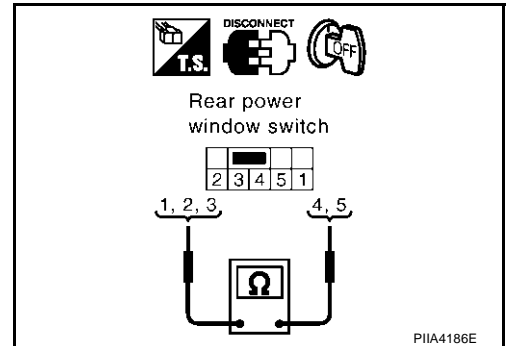
1. Turn ignition switch OFF.
2. Disconnect rear power window switch (RH) connector.
3. Check continuity between rear power window switch (RH) connector D75 terminal 1, 2, 3 and 4, 5.

Terminal	Condition of rear power window switch RH	Continuity
1	DOWN position	Yes
3		
1	UP position	
2		

OK or NG

OK >> GO TO 5.

NG >> Replace rear power window switch (RH).



5. CHECK POWER WINDOW MAIN SWITCH OUTPUT SIGNAL

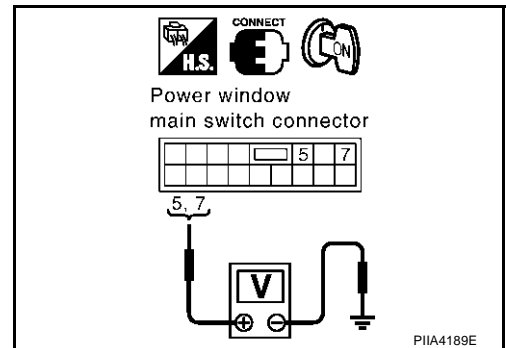
1. Turn ignition switch ON.
2. Power window main switch is operated, check voltage between power window main switch connector D6 terminals 5, 7 and ground.

Connector	Terminals (Wire color)		Condition of power window main switch	Voltage (V) (Approx.)
	(+)	(-)		
D6	5 (R)	Ground	Up	0
			Down	Battery voltage
	7 (Y/B)		Up	Battery voltage
			Down	0

OK or NG

OK >> GO TO 6.

NG >> Replace power window main switch.



6. CHECK HARNESS CONTINUITY

1. Turn ignition switch OFF.
2. Disconnect power window main switch connector.
3. Check continuity between power window main switch connector D6 terminal 5, 7 and rear power window switch (RH) connector D75 terminal 2, 3.

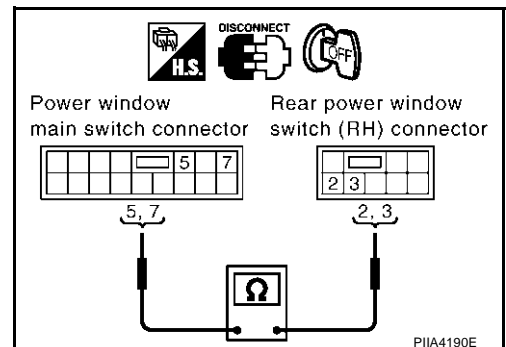
5 (R) – 3 (R) : Continuity should exist.

7 (Y/B) – 2 (Y/B) : Continuity should exist.

OK or NG

OK >> Check the condition of the harness and the connector.

NG >> Repair or replace harness between power window main switch and rear power window switch (RH).



POWER WINDOW SYSTEM

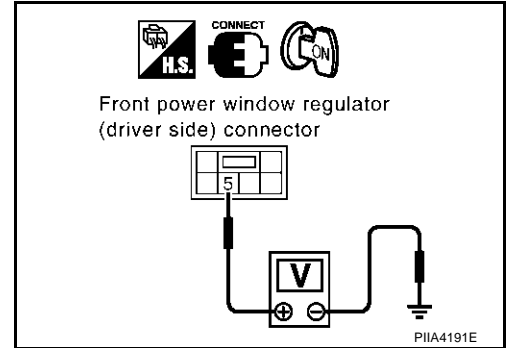
AIS002DF

Limit Switch Circuit Check (Driver Side)

1. CHECK DRIVER DOOR MAIN SWITCH LIMIT SIGNAL

1. Turn ignition switch ON.
2. Check voltage between front power window regulator (driver side) connector and ground.

Connector	Terminals (Wire color)		Condition of window	Voltage (V) (Approx.)
	(+)	(-)		
D8	5 (G/W)	Ground	Driver side door window is between fully-open and just before fully-closed position (ON)	0
			Driver side door window is between just before fully-closed position and fully-closed position (OFF)	5



OK or NG

- OK >> Limit switch circuit is OK.
 NG >> GO TO 2.

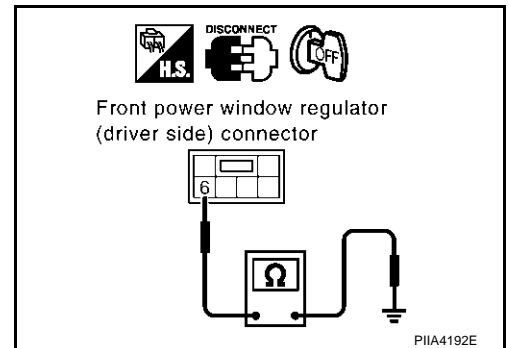
2. CHECK GROUND CIRCUIT

1. Turn ignition switch OFF.
2. Disconnect front power window regulator (driver side) connector.
3. Check continuity between front power window regulator (driver side) connector D8 terminal 6 and ground.

6 (W/B) – Ground : Continuity should exist.

OK or NG

- OK >> GO TO 4.
 NG >> GO TO 3.



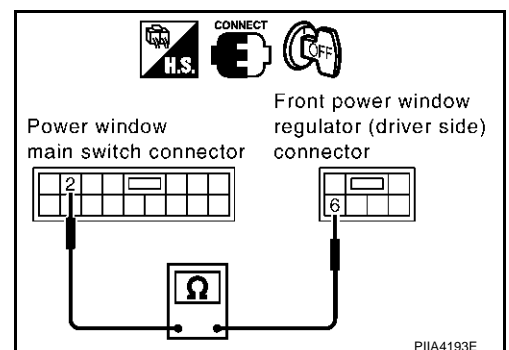
3. CHECK HARNESS CONTINUITY 1

1. Disconnect power window main switch connector.
2. Check continuity between power window main switch connector D6 terminal 2 and front power window regulator (driver side) connector D8 terminal 6.

2 (W/B) – 6 (W/B) : Continuity should exist.

OK or NG

- OK >> Replace power window main switch.
 NG >> Repair or replace harness between power window main switch and front power window regulator (driver side).



POWER WINDOW SYSTEM

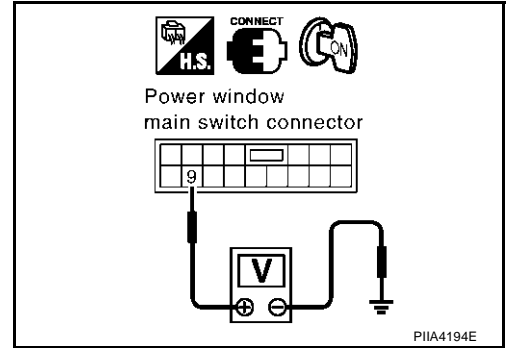
4. CHECK POWER WINDOW MAIN SWITCH OUTPUT SIGNAL

1. Turn ignition switch ON.
2. Check voltage between power window main switch connector D6 terminal 9 and ground.

9 (G/W) – Ground : Approx. 5V

OK or NG

- OK >> GO TO 5.
 NG >> Replace power window main switch.



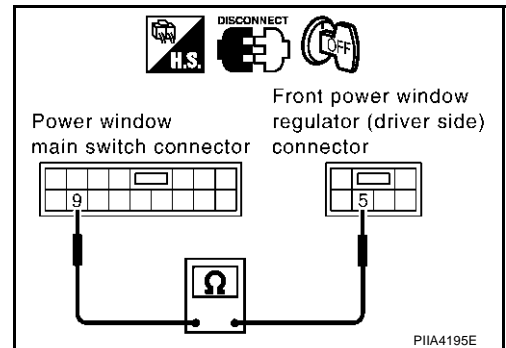
5. CHECK HARNESS CONTINUITY 2

1. Turn ignition switch OFF.
2. Disconnect power window main switch connector.
3. Check continuity between power window main switch connector D6 terminal 9 and front power window regulator (driver side) connector D8 terminal 5.

9 (G/W) – 5 (G/W) : Continuity should exist.

OK or NG

- OK >> Replace front power window regulator (driver side).
 NG >> Repair or replace harness between and power window main switch front power window regulator (driver side).



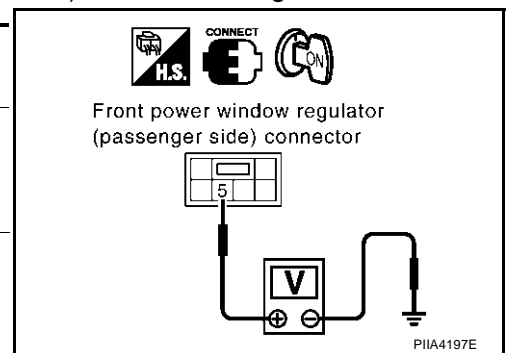
Limit Switch Circuit Check (Passenger Side)

AIS002DH

1. CHECK FRONT POWER WINDOW SWITCH (PASSENGER SIDE) LIMIT SIGNAL

1. Turn ignition switch ON.
2. Check voltage between front power window regulator (passenger side) connector and ground.

Connector	Terminals (Wire color)		Condition of window	Voltage (V) (Approx.)
	(+)	(-)		
D36	5 (G/W)	Ground	Passenger side door window is between fully-open and just before fully-closed position (ON)	0
			Passenger side door window is between just before fully-closed position and fully-closed position (OFF)	5



OK or NG

- OK >> Limit switch circuit is OK.
 NG >> GO TO 2.

POWER WINDOW SYSTEM

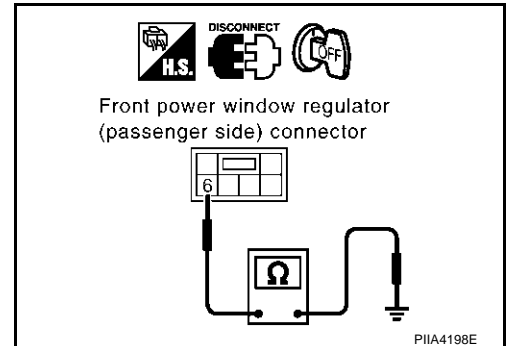
2. CHECK GROUND CIRCUIT

1. Turn ignition switch OFF.
2. Disconnect front power window regulator (passenger side) connector.
3. Check continuity between front power window regulator (passenger side) connector D36 terminal 6 and ground.

6 (W/B) – Ground : Continuity should exist.

OK or NG

- OK >> GO TO 4.
NG >> GO TO 3.



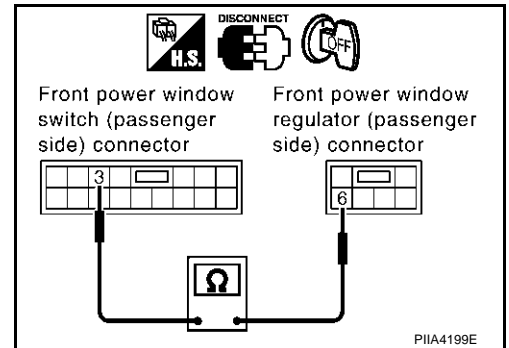
3. CHECK HARNESS CONTINUITY 1

1. Disconnect front power window switch (passenger side) connector.
2. Check continuity between front power window switch (passenger side) connector D35 terminal 3 and front power window regulator (passenger side) connector D36 terminal 6.

3 (W/B) – 6 (W/B) : Continuity should exist.

OK or NG

- OK >> Replace front power window switch (passenger side).
NG >> Repair or replace harness between front power window switch (passenger side) and front power window regulator (passenger side).



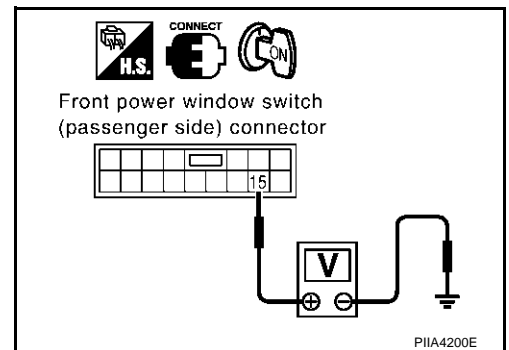
4. CHECK FRONT POWER WINDOW SWITCH (PASSENGER SIDE) OUTPUT SIGNAL

1. Turn ignition switch ON.
2. Check voltage between front power window switch (passenger side) connector D35 terminal 15 and ground.

15 (G/W) – Ground : Approx. 5V

OK or NG

- OK >> GO TO 5.
NG >> Replace front power window switch (passenger side).



POWER WINDOW SYSTEM

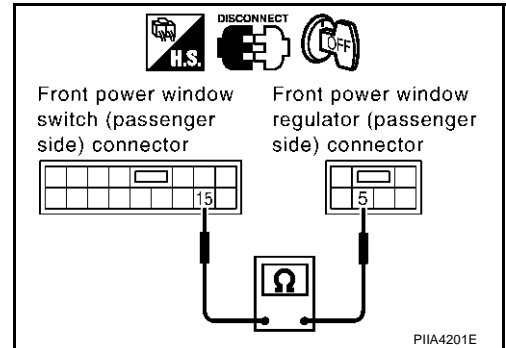
5. CHECK HARNESS CONTINUITY 2

1. Turn ignition switch OFF.
2. Disconnect front power window switch (passenger side) connector.
3. Check continuity between front power window switch (passenger side) connector D35 terminal 15 and front power window regulator (passenger side) connector D36 terminal 5.

15 (G/W) – 5 (G/W) : Continuity should exist.

OK or NG

- OK >> Replace front power window regulator (passenger side).
NG >> Repair or replace harness between front power window switch (passenger side) and front power window regulator (passenger side).



Encoder Circuit Check (Driver Side)

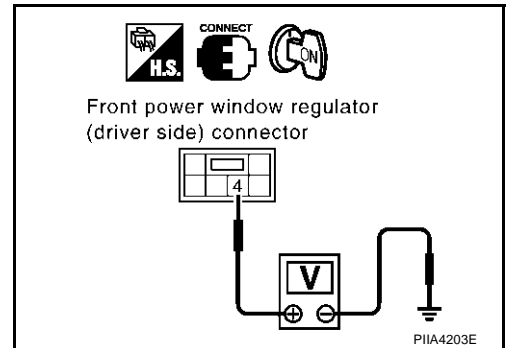
1. CHECK FRONT POWER WINDOW REGULATOR (DRIVER SIDE) POWER SUPPLY

1. Turn ignition switch ON.
2. Check voltage between front power window regulator (driver side) connector D8 terminal 4 and ground.

4 (G/R) – Ground : Approx.10V

OK or NG

- OK >> GO TO 3.
NG >> GO TO 2.



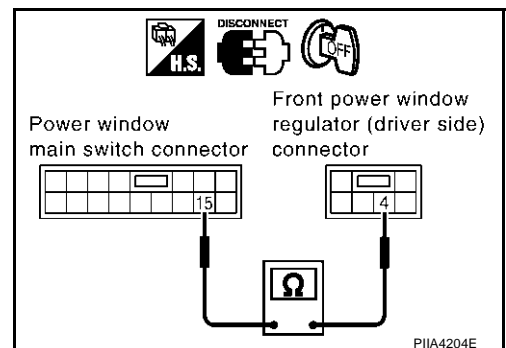
2. CHECK HARNESS CONTINUITY 1

1. Turn ignition switch OFF.
2. Disconnect front power window regulator (driver side) and power window main switch.
3. Check continuity between power window main switch connector D6 terminal 15 and front power window regulator (driver side) connector D8 terminal 4.

15 (G/R) – 4 (G/R) : Continuity should exist.

OK or NG

- OK >> Replace power window main switch.
NG >> Repair or replace harness between power window main switch connector and front power window regulator (driver side) connector.



POWER WINDOW SYSTEM

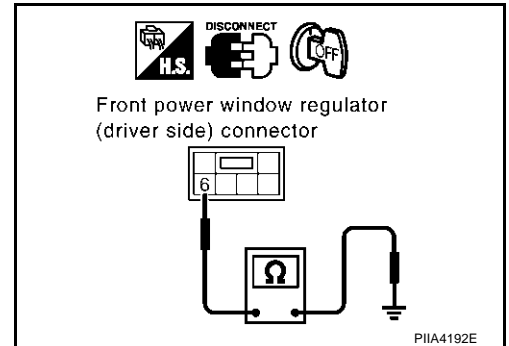
3. CHECK GROUND CIRCUIT

1. Turn ignition switch OFF.
2. Disconnect front power window regulator (driver side) connector.
3. Check continuity between front power window regulator (driver side) connector D8 terminal 6 and ground.

6 (W/B) – Ground : Continuity should exist.

OK or NG

- OK >> GO TO 5.
 NG >> GO TO 4.



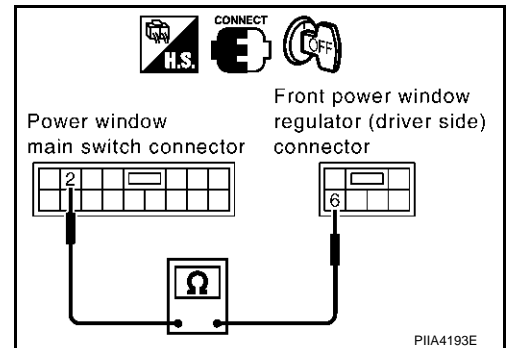
4. CHECK HARNESS CONTINUITY 2

1. Disconnect power window main switch connector.
2. Check continuity between power window main switch connector D6 terminal 2 and front power window regulator (driver side) connector D8 terminal 6.

2 (W/B) – 6 (W/B) : Continuity should exist.

OK or NG

- OK >> Replace power window main switch.
 NG >> Repair or replace harness between power window main switch and front power window regulator (driver side).



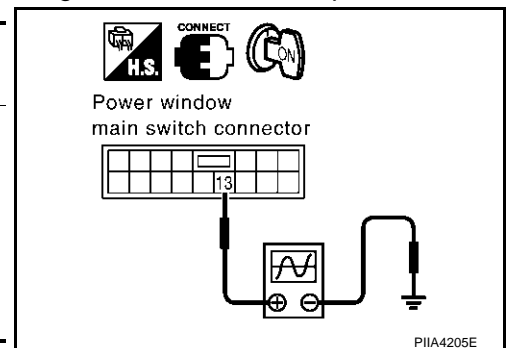
5. CHECK ENCODER SIGNAL

1. Connect front power window regulator (driver side) connector.
2. Turn ignition switch ON.
3. Check the signal between power window main switch connector and ground with oscilloscope.

Connector	Terminals (Wire color)		Condition	Signal (Reference value)
	(+)	(-)		
D6	13 (G/Y)	Ground	opening	<p>OCC3383D</p>

OK or NG

- OK >> Replace power window main switch.
 NG >> GO TO 6.



POWER WINDOW SYSTEM

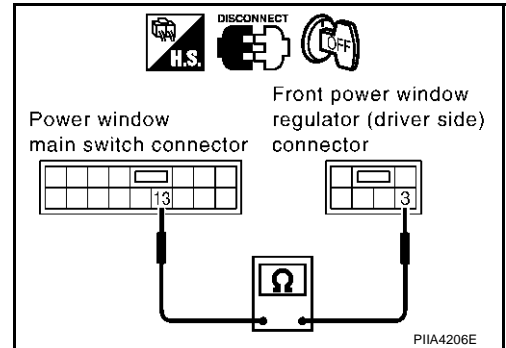
6. CHECK HARNESS CONTINUITY 3

1. Turn ignition switch OFF.
2. Disconnect power window main switch and front power window regulator (driver side) connector.
3. Check continuity between power window main switch connector D6 terminal 13 and front power window regulator (driver side) connector D8 terminal 3.

13 (G/Y) – 3 (G/Y) : Continuity should exist.

OK or NG

- OK >> Replace front power window regulator (driver side)
NG >> Repair or replace harness between front power window regulator (driver side) and power window main switch.



Encoder Circuit Check (Front Passenger Side)

AIS002DL

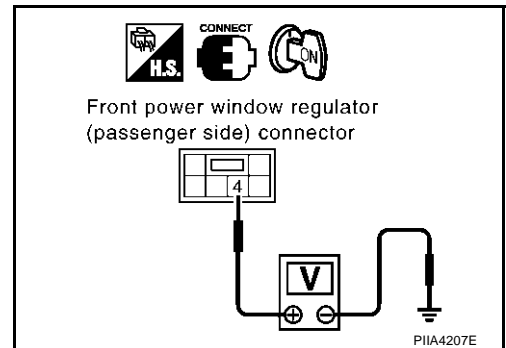
1. CHECK FRONT POWER WINDOW REGULATOR (PASSENGER SIDE) POWER SUPPLY

1. Turn ignition switch ON.
2. Check voltage between front power window regulator (passenger side) connector D36 terminal 4 and ground.

4 (G/R) – Ground : Approx. 10V

OK or NG

- OK >> GO TO 3.
NG >> GO TO 2.



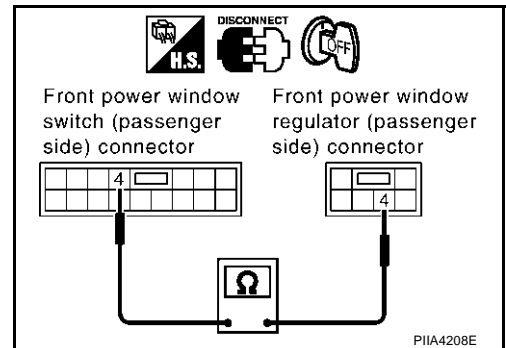
2. CHECK HARNESS CONTINUITY 1

1. Turn ignition switch OFF.
2. Disconnect front power window switch (passenger side) and front power window regulator (passenger side).
3. Check continuity between front power window switch (passenger side) connector D35 terminal 4 and front power window regulator (passenger side) connector D36 terminal 4.

4 (G/R) – 4 (G/R) : Continuity should exist.

OK or NG

- OK >> Replace front power window switch (passenger side).
NG >> Repair or replace harness between front power window switch (passenger side) and front power window regulator (passenger side).



POWER WINDOW SYSTEM

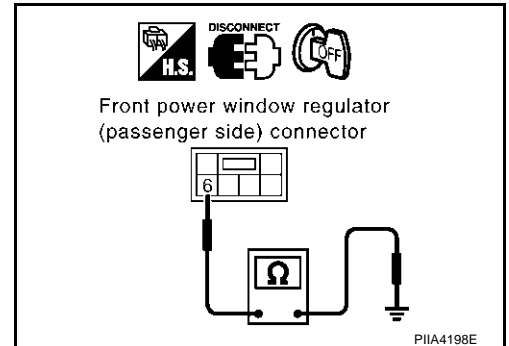
3. CHECK GROUND CIRCUIT

1. Turn ignition switch OFF.
2. Disconnect front power window regulator (passenger side) connector.
3. Check continuity between front power window regulator (passenger side) connector D36 terminal 6 and ground.

6 (W/B) – Ground : Continuity should exist.

OK or NG

- OK >> GO TO 5.
 NG >> GO TO 4.



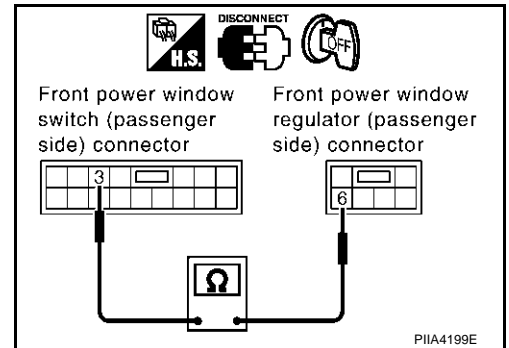
4. CHECK HARNESS CONTINUITY 2

1. Disconnect front power window switch (passenger side) connector.
2. Check continuity between front power window switch (passenger side) connector D35 terminal 3 and front power window regulator (passenger side) connector D36 terminal 6.

3 (W/B) – 6 (W/B) : Continuity should exist.

OK or NG

- OK >> Replace front power window switch (passenger side).
 NG >> Repair or replace harness between front power window regulator (passenger side) and front power window switch (passenger side).



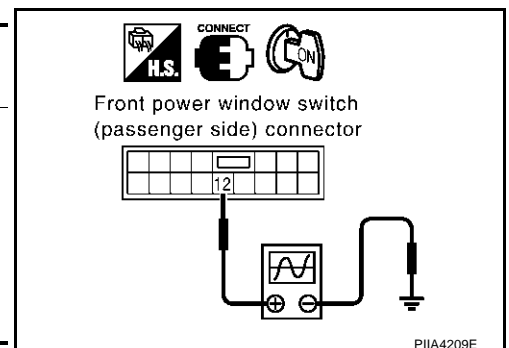
5. CHECK ENCODER SIGNAL

1. Connect front power window regulator (passenger side) connector.
2. Turn ignition switch ON.
3. Check the signal between front power window switch (passenger side) connector and ground with oscilloscope.

Connector	Terminals (Wire color)		Condition	Signal (Reference value)
	(+)	(-)		
D35	12 (G/Y)	Ground	opening	<p>OCC3383D</p>

OK or NG

- OK >> Replace front power switch (passenger side).
 NG >> GO TO 6.



POWER WINDOW SYSTEM

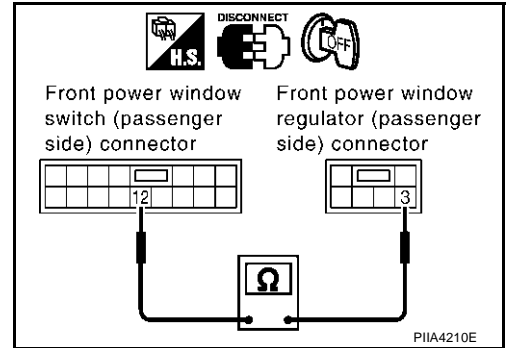
6. CHECK HARNESS CONTINUITY 3

1. Turn ignition switch OFF.
2. Disconnect front power window switch (passenger side) and front power window regulator (passenger side) connector.
3. Check continuity between front power window switch (passenger side) connector D35 terminal 12 and front power window regulator (passenger side) connector D36 terminal 3.

12 (G/Y) – 3 (G/Y) : Continuity should exist.

OK or NG

- OK >> Replace front power window regulator (passenger side).
NG >> Repair or replace harness between front power window switch (passenger side) and front power window regulator (passenger side).



POWER WINDOW SYSTEM

Door Switch Check

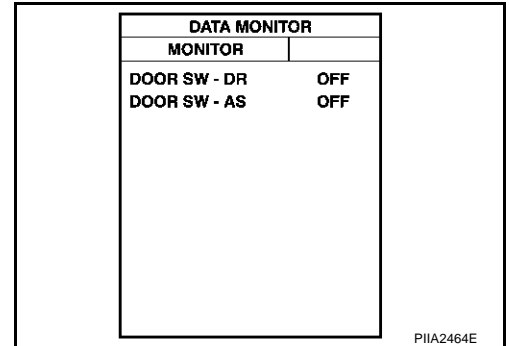
AIS002DO

1. CHECK DOOR SWITCH INPUT SIGNAL 1

With CONSULT-II

Check door switches ("DOOR SW-DR" and "DOOR SW-AS") in "DATA MONITOR" mode with CONSULT-II.

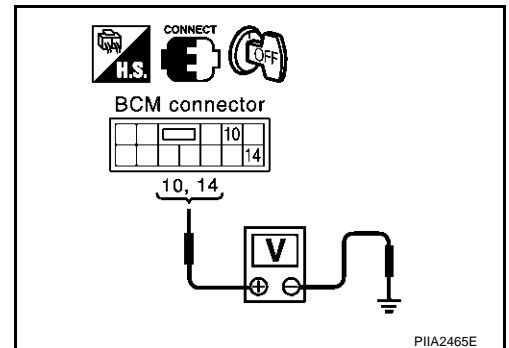
Monitor item	Condition of door	DATA MONITOR
DOOR SW-DR	OPEN	ON
	CLOSE	OFF
DOOR SW-AS	OPEN	ON
	CLOSE	OFF



Without CONSULT-II

Check voltage between BCM connector and ground.

Item	Con- nector	Terminals (Wire color)		Condition	Voltage (V) (Approx.)
		(+)	(-)		
Passenger side	M34	10 (R)	Ground	OPEN	0
				CLOSE	Battery voltage
Driver side		14 (SB)		OPEN	0
				CLOSE	Battery voltage



OK or NG

- OK >> Door switch is OK.
NG >> GO TO 2.

2. CHECK HARNESS CONTINUITY

- Disconnect BCM connector.
- Check continuity between BCM connector M34 terminals 10, 14 and front door lock assembly connector D10, D38 terminal 4.

Driver side

14 (SB) – 4 (SB) : Continuity should exist.

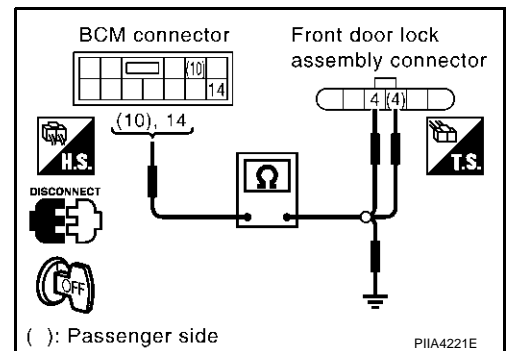
Passenger side

10 (R) – 4 (R) : Continuity should exist.

- Check continuity between BCM connector M34 terminals 10, 14 and ground.

10 (R) – Ground : Continuity should not exist.

14 (SB) – Ground : Continuity should not exist.



OK or NG

- OK >> GO TO 3.
NG >> Repair or replace harness.

POWER WINDOW SYSTEM

3. CHECK DOOR SWITCH

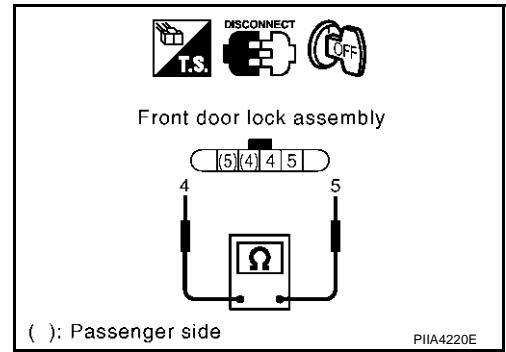
Check continuity between front door lock assembly terminals 4 and 5.

Terminal		Condition of door switch	Continuity
4	5	OPEN	No
		CLOSE	Yes

OK or NG

OK >> GO TO 4.

NG >> Replace malfunction front door lock assembly.



4. CHECK BCM OUTPUT SIGNAL

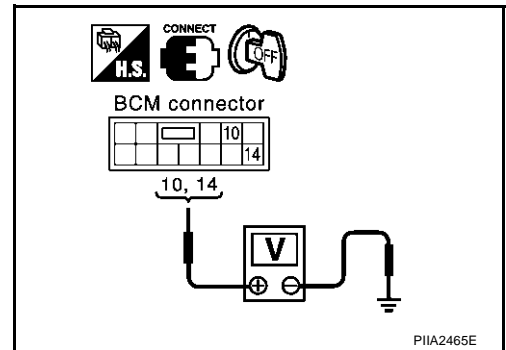
1. Connect BCM connector.
2. Check voltage between BCM connector and ground.

Item	Con- nector	Terminals (Wire color)		Condition	Voltage (V) (Approx.)
		(+)	(-)		
Passenger side	M34	10 (R)	Ground	OPEN	0
				CLOSE	Battery voltage
Driver side		14 (SB)		OPEN	0
				CLOSE	Battery voltage

OK or NG

OK >> Check the condition of the harness and the connector.

NG >> Replace BCM.



POWER WINDOW SYSTEM

AIS002DP

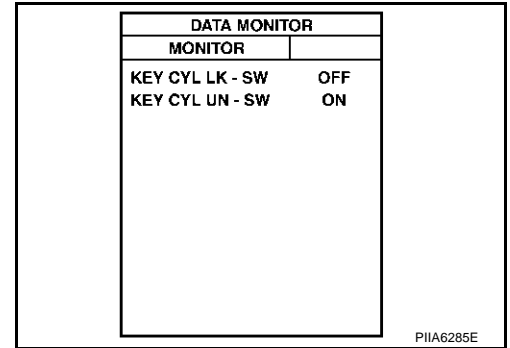
Front Door Key Cylinder Switch (Driver Side) Check

1. CHECK DOOR KEY CYLINDER SWITCH INPUT SIGNAL

① With CONSULT-II

Check door key cylinder switch ("KEY CYL LK SW", "KEY CYL UN SW") in "DATA MONITOR" mode with CONSULT-II.

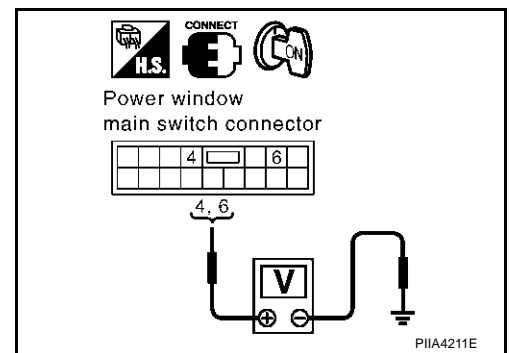
Monitor item	Condition of front door key cylinder	DATA MONITOR
KEY CYL LK-SW	Lock	ON
	Neutral / Unlock	OFF
KEY CYL UN-SW	Unlock	ON
	Neutral / Lock	OFF



② Without CONSULT-II

Check voltage between power window main switch connector and ground.

Connector	Terminals (Wire color)		Key position	Voltage (V) (Approx.)
	(+)	(-)		
D6	4 (L)	Ground	Lock	0
			Neutral / Unlock	5
	6 (R)		Unlock	0
			Neutral / Lock	5



OK or NG

- OK >> Further inspection is necessary. Refer to symptom chart.
NG >> GO TO 2.

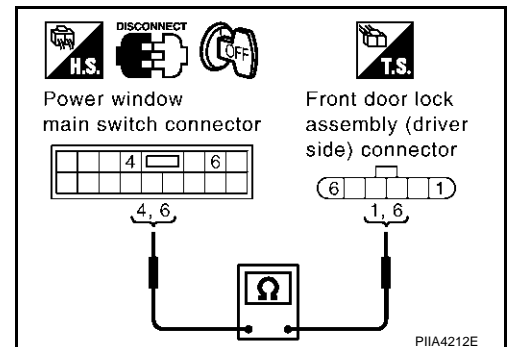
2. CHECK HARNESS CONTINUITY

- Turn ignition switch OFF.
- Disconnect power window main switch and front door lock assembly (driver side) connector.
- Check continuity between power window main switch connector D6 terminals 4, 6 and front door lock assembly (driver side) connector D10 terminals 1, 6.

- 4 (L) – 1 (L) : Continuity should exist.**
6 (R) – 6 (R) : Continuity should exist.

OK or NG

- OK >> GO TO 3.
NG >> Repair or replace harness between power window main switch and front door lock assembly (driver side).



POWER WINDOW SYSTEM

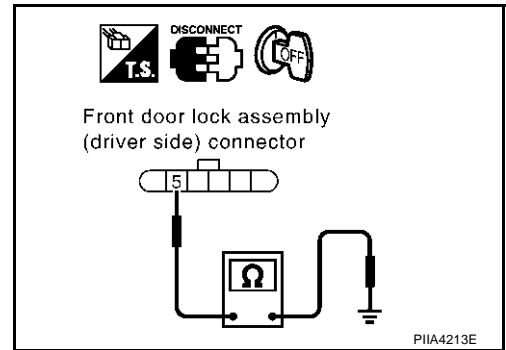
3. CHECK GROUND CIRCUIT

Check continuity between key cylinder switch (driver side) connector D10 terminal 5 and ground.

5 (B) – Ground : Continuity should exist.

OK or NG

- OK >> GO TO 4.
- NG >> Repair or replace harness.



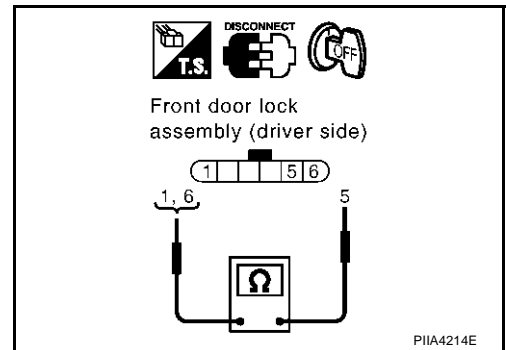
4. CHECK DOOR KEY CYLINDER SWITCH

Check continuity between key cylinder switch terminals 1, 6 and 5.

Terminals	Key position	Continuity
1	Neutral / Unlock	No
	Lock	Yes
6	Neutral / Lock	No
	Unlock	Yes

OK or NG

- OK >> Further inspection is necessary. Refer to symptom chart.
- NG >> Replace key cylinder switch (driver side).



POWER WINDOW SYSTEM

Power Window Serial Link Check

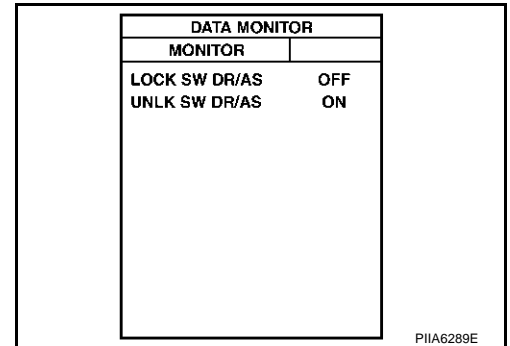
AIS002DR

1. CHECK POWER WINDOW SWITCH OUTPUT SIGNAL

With CONSULT-II

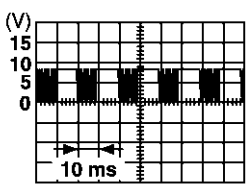
Check door lock and unlock switch ("LOCK SW DR/AS", "UNLK SW DR/AS") in DATA MONITOR mode with CONSULT-II. Refer to [BL-58, "DATA MONITOR"](#).

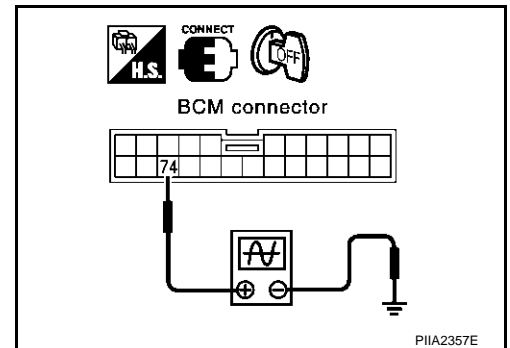
Monitor item	Condition of door lock and unlock switch	DATA MONITOR
LOCK SW DR / AS	LOCK	ON
	UNLOCK	OFF
UNLK SW DR / AS	LOCK	ON
	UNLOCK	OFF



Without CONSULT-II

1. Remove key from ignition switch, and the door of driver side and passenger side is closed.
2. Check the signal between BCM connector and ground with oscilloscope when door lock and unlock switch (driver side and passenger side) is turned "LOCK" or "UNLOCK".
3. Make sure signals which are shown in the figure below can be detected during 10 second just after door lock and unlock switch (driver side and passenger side) is turned "LOCK" or "UNLOCK".

Connector	Terminals (Wire color)		Signal (Reference value)
	(+)	(-)	
M37	74 (BR/W)	Ground	 <p>PIIA1297E</p>



OK or NG

- OK >> GO TO 2.
NG >> GO TO 3.

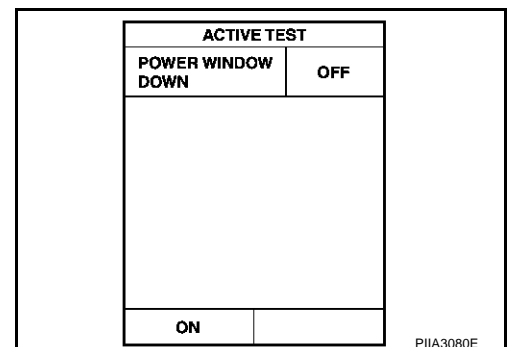
2. CHECK BCM OUTPUT SIGNAL

Check power window serial link ("POWER WINDOW DOWN") in "ACTIVE TEST" mode with CONSULT-II. Refer to [BL-110, "Active Test"](#).

When "ACTIVE TEST" is executed, is the window of driver and passenger side lowered.

OK or NG

- OK >> Further inspection is necessary. Refer to symptom chart.
NG >> Replace BCM.

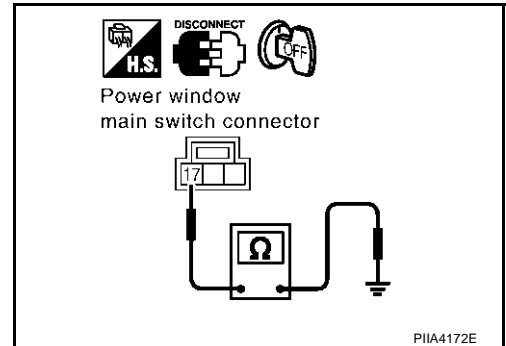


POWER WINDOW SYSTEM

3. CHECK POWER WINDOW SWITCH GROUND

1. Turn ignition switch OFF.
2. Disconnect power window main switch and front power window switch (passenger side) connector.
3. Check continuity between power window main switch connector D7 terminal 17 and ground.

17 (B) – Ground : Continuity should exist.

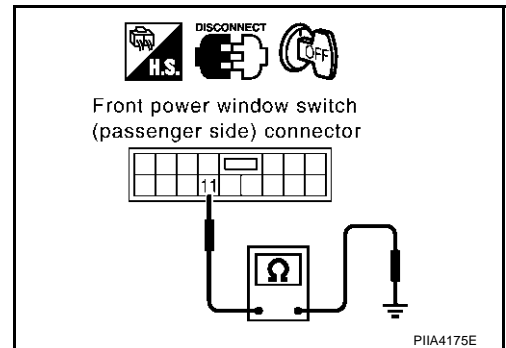


4. Check continuity between front power window switch (passenger side) connector D35 terminal 11 and ground.

11 (B) – Ground : Continuity should exist.

OK or NG

- OK >> GO TO 4.
- NG >> Repair or replace harness.

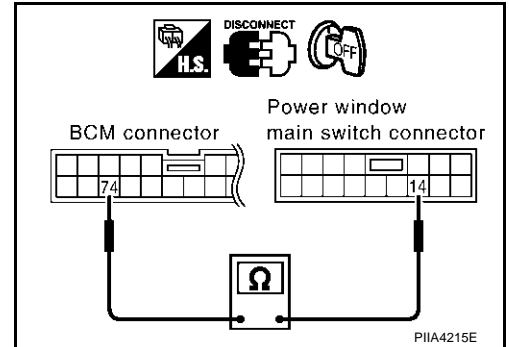


POWER WINDOW SYSTEM

4. CHECK POWER WINDOW SERIAL LINK CIRCUIT

1. Disconnect BCM connector.
2. Check continuity between BCM connector M37 terminal 74 and power window main switch connector D6 terminal 14.

74 (BR/W) – 14 (BR/W) : Continuity should exist.

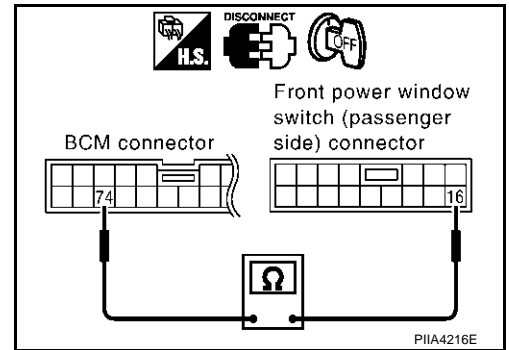


3. Check continuity between BCM connector M37 terminal 74 and front power window switch (passenger side) connector D35 terminal 16.

74 (BR/W) – 16 (BR/W) : Continuity should exist.

OK or NG

- OK >> Replace power window main switch.
- NG >> Repair or replace harness.



Power Window Lock Switch Check

1. CHECK POWER WINDOW MAIN SWITCH

Exchanges for a normal power window main switch, and operation is checked.

Does power window lock operate?

OK or NG

- OK >> Replace power window main switch.
- NG >> Check the condition of the harness and the connector.

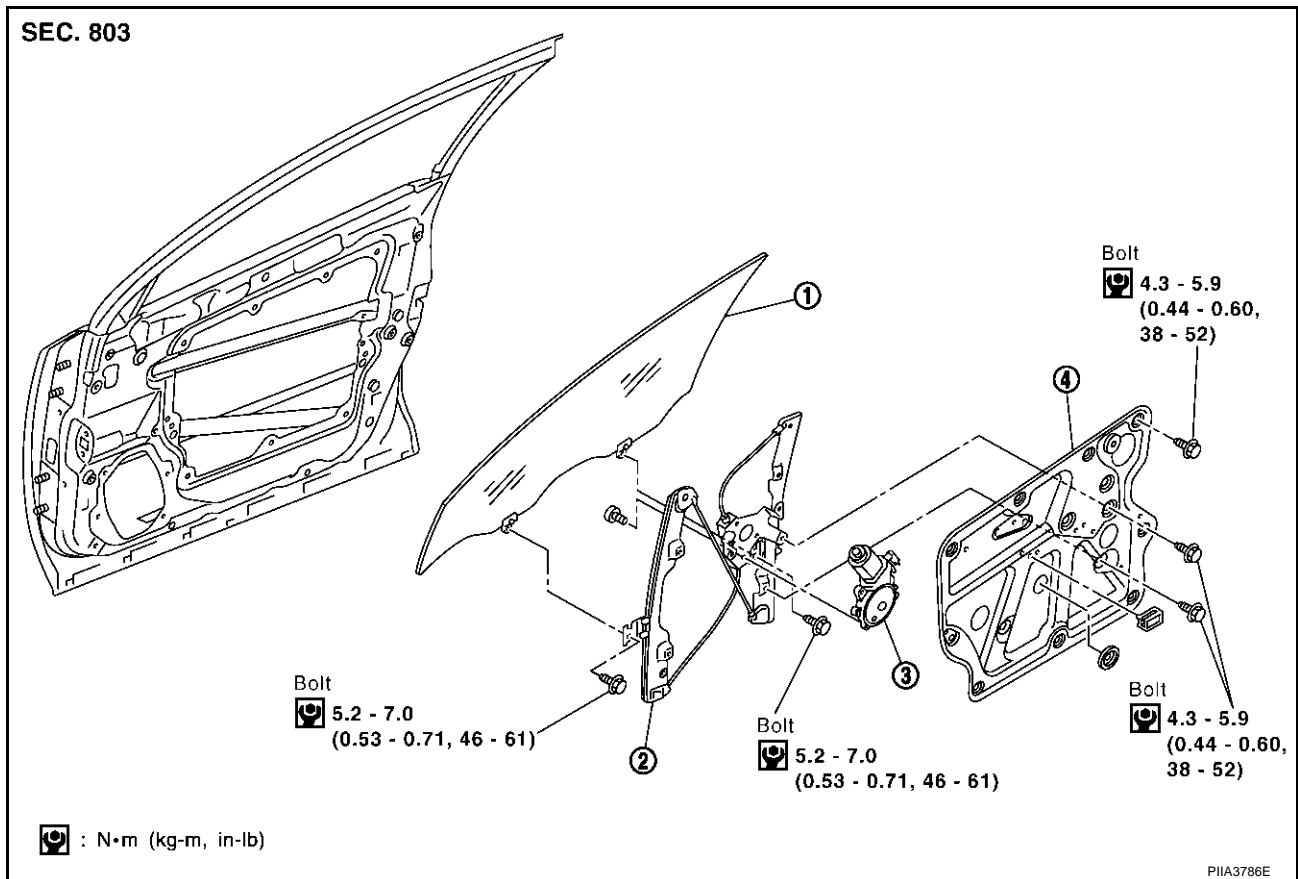
FRONT DOOR GLASS AND REGULATOR

FRONT DOOR GLASS AND REGULATOR

PFP:80300

Removal and Installation

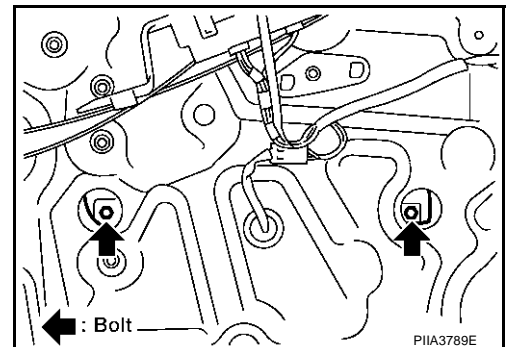
AIS005AL



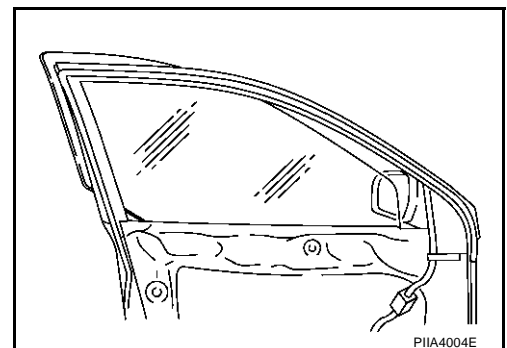
1. Door glass
2. Regulator assembly
3. Power window motor
4. Module assembly

REMOVAL

1. Remove the front door finisher. Refer to [EI-30, "DOOR FINISHER"](#).
2. Operate the power window main switch to raise/lower the door window until the glass mounting bolts can be seen.
3. Remove the glass mounting bolts.
4. Remove the module stop bolts.

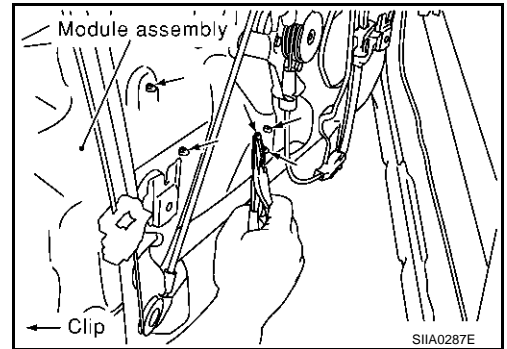


5. While holding the door window, raise it at the rear end to pull the glass out of the sash toward the outside of the door.



FRONT DOOR GLASS AND REGULATOR

6. Remove the mounting bolts, and remove the module assembly.
7. Disconnect the harness connector for the module assembly, and unclip the harness from the back.



INSTALLATION

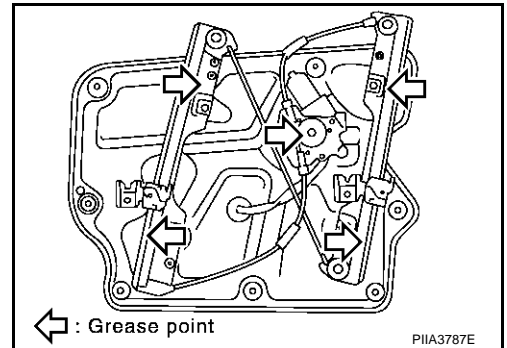
Install in the reverse order of removal.

INSPECTION AFTER REMOVAL

Check the regulator assembly for the following items. If a malfunction is detected, replace or grease it.

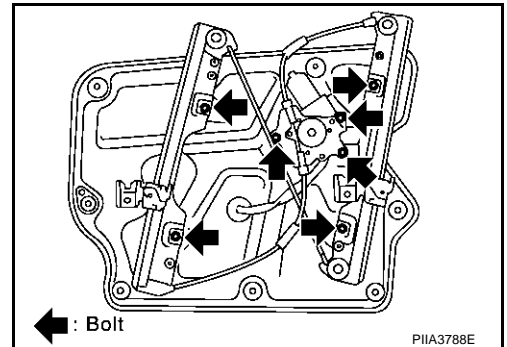
- Wire wear
- Regulator deformation
- Grease condition for each sliding part

The arrows in the figure show the application points of the body grease.



DISASSEMBLY AND ASSEMBLY

Remove the power window motor and guide rail from the module assembly.



A
B
C
D
E
F
G
H
GW
J
K
L
M

FRONT DOOR GLASS AND REGULATOR

SETTING AFTER INSTALLATION

Resetting of Limit Switch

If any of the following work has been done, reset the limit switch (integrated in the motor).

- Removal and installation of the regulator.
- Removal and installation of the motor from the regulator.
- Operate the regulators as a unit.
- Removal and installation of the glass.
- Removal and installation of the glass run.

Resetting

After installing each component to the vehicle, follow the steps below.

1. Remove the motor from regulator.
2. Connect the connector. Rotate the motor unit with power window switch for more than 5 sec in glass raising direction.
3. Install motor to regulator.
4. Raise glass to the top position.

CAUTION:

Do not use Auto switch to raise the glass to the top position.

FITTING INSPECTION

- Make sure the glass is securely fit into the glass run groove.
- Lower the glass slightly [approx. 10 to 20 mm (0.39 to 0.79 in)] and make sure the clearance to the sash is parallel. If the clearance between the glass and sash is not parallel, loosen the regulator mounting bolts, guide rail mounting bolts, and glass and guide rail mounting bolts to correct the glass position.

REAR DOOR GLASS AND REGULATOR

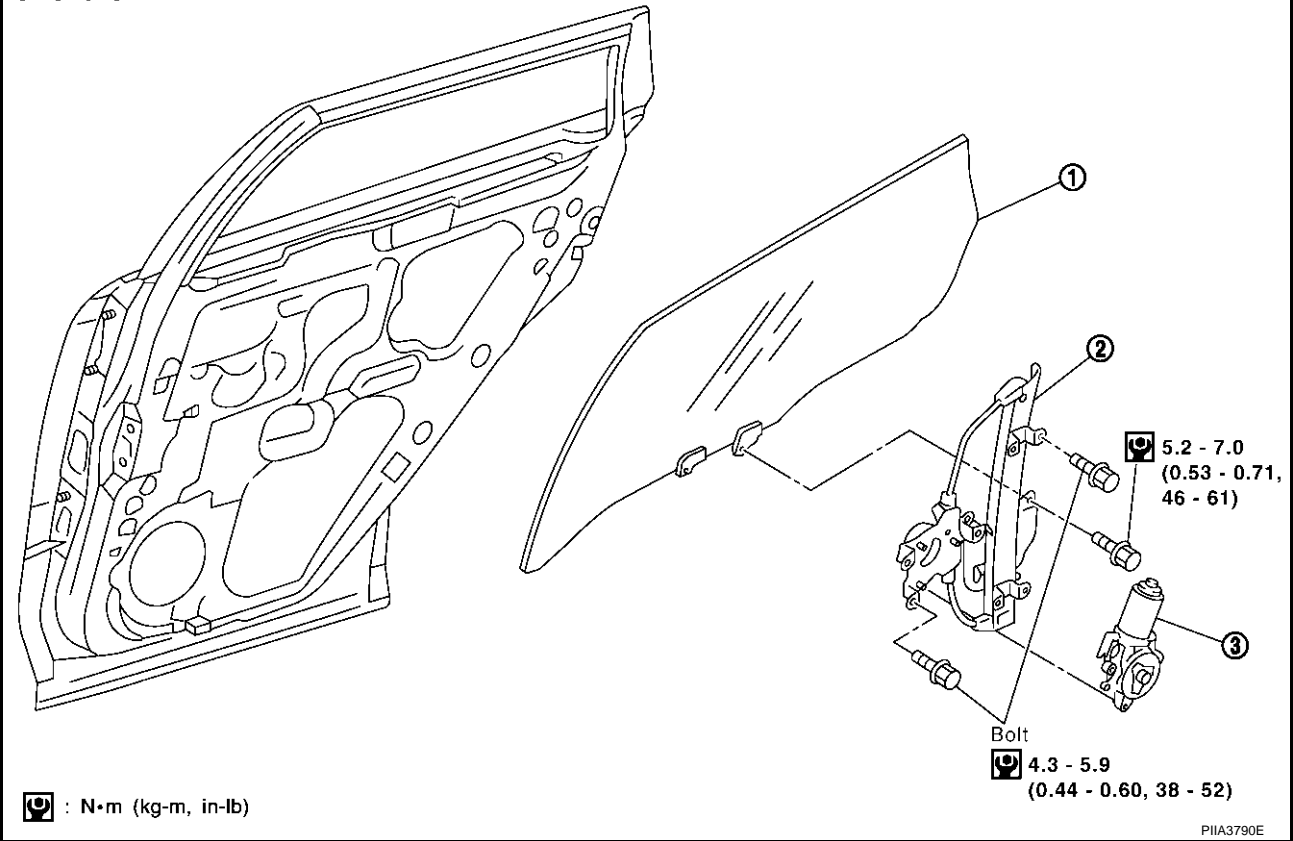
REAR DOOR GLASS AND REGULATOR

PFP:82300

Removal and Installation

AIS005AM

SEC. 823



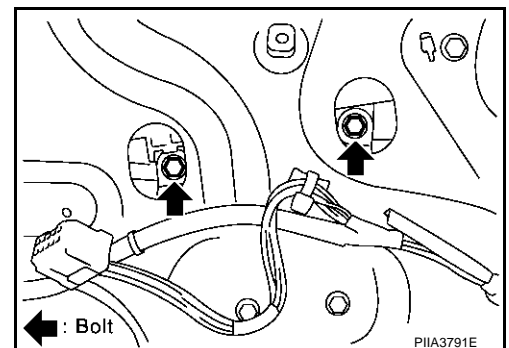
1. Door glass

2. Regulator assembly

3. Power window motor

REMOVAL

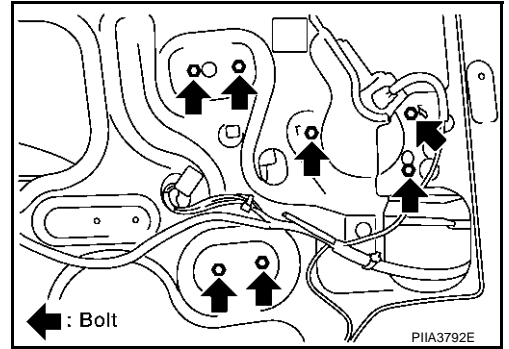
1. Remove the rear door finisher. Refer to [EI-30. "DOOR FINISHER"](#).
2. Remove the rear door outside molding. Refer to [EI-23. "DOOR OUTSIDE MOLDING"](#).
3. Remove the sealing screen.
4. Remove the rear lower sash.
5. Operate the power window switch to raise/lower the door window until the glass mounting bolts can be seen.
6. Remove the glass mounting bolts, and place the glass on the inner bottom of the panel.



A
B
C
D
E
F
G
H
GW
J
K
L
M

REAR DOOR GLASS AND REGULATOR

- Remove the regulator mounting bolts, and remove the regulator from the panel.
- Disconnect the connector for the regulator assembly.



INSTALLATION

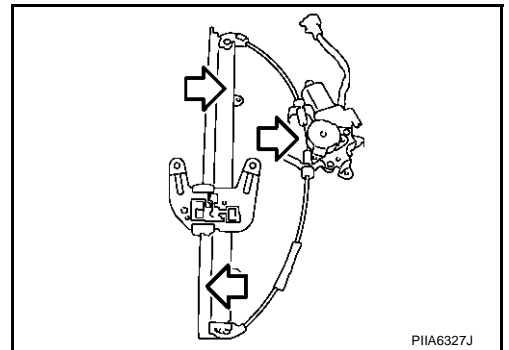
Install in the reverse order of removal.

INSPECTION AFTER REMOVAL

Check the regulator assembly for the following items. If a malfunction is detected, replace or grease it.

- Wire wear
- Regulator deformation
- Grease condition for each sliding part

The arrows in the figure show the application points of the grease "Dow Corning Moly Coat SK 623" or equivalent.



FITTING INSPECTION

- Make sure the glass is securely fit into the glass run groove.
- Lower the glass slightly [approx. 10 to 20 mm (0.39 to 0.79 in)], and make sure the clearance to the sash is parallel. If the clearance between the glass and sash is not parallel, loosen the regulator mounting bolts, guide rail mounting bolts, and glass and carrier plate mounting bolts to correct the glass position.

INSIDE MIRROR

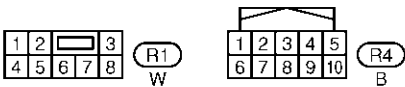
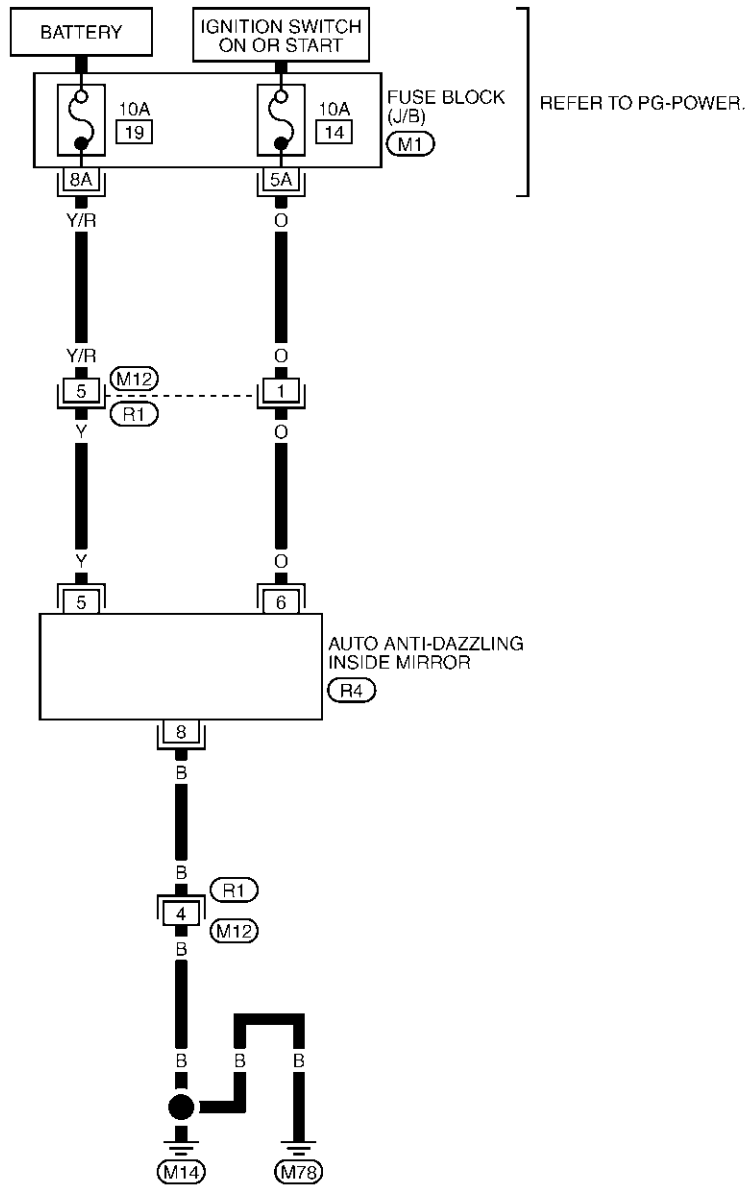
INSIDE MIRROR

Wiring Diagram -I/MIRR-

PPF:96321

AIS001SH

GW-I/MIRR-01



REFER TO THE FOLLOWING.

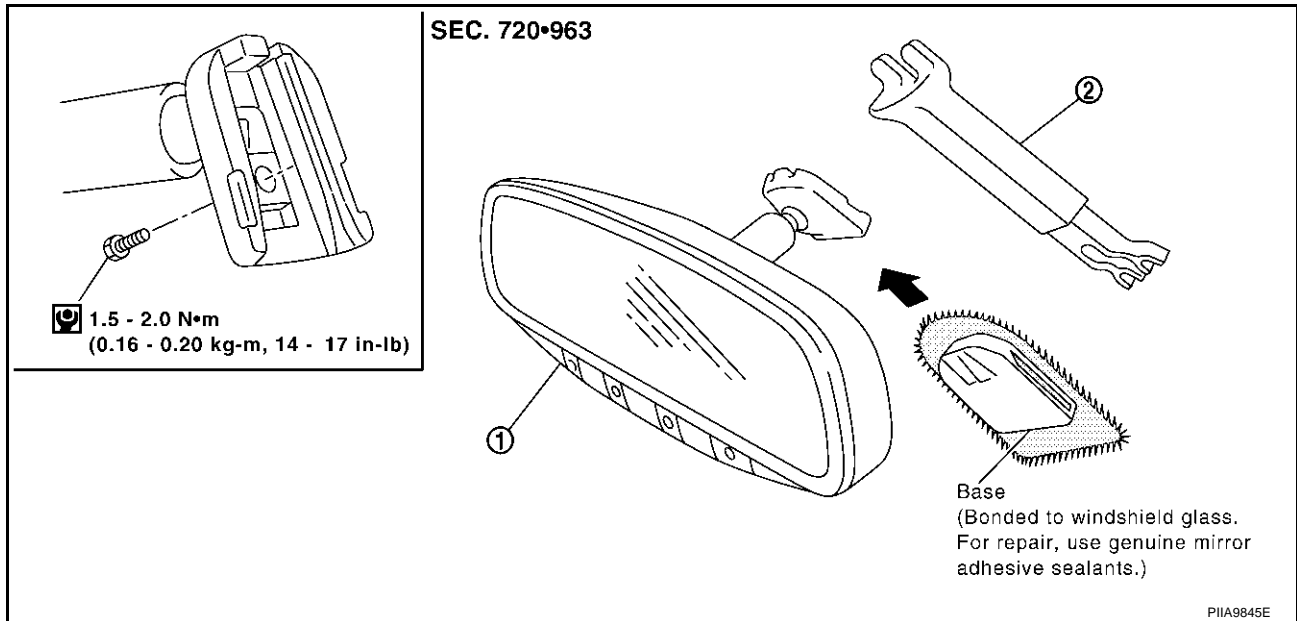
(M1) - FUSE BLOCK-JUNCTION BOX (J/B)

A
B
C
D
E
F
G
H
GW
J
K
L
M

INSIDE MIRROR

Removal and Installation

AIS005AN



1. Inside mirror

2. Inside mirror finisher (if equipped)

CAUTION:

Apply Genuine Mirror Adhesive or equivalent to bonding surface of mounting bracket. Refer to [GI-46](#), "[RECOMMENDED CHEMICAL PRODUCTS AND SEALANTS](#)".

REMOVAL

1. Remove inside mirror finisher (if equipped).
2. Remove screw of mirror base.
3. Slide the mirror upward to remove.
4. Disconnect the connector (if equipped).

INSTALLATION

Install in the reverse order of removal.

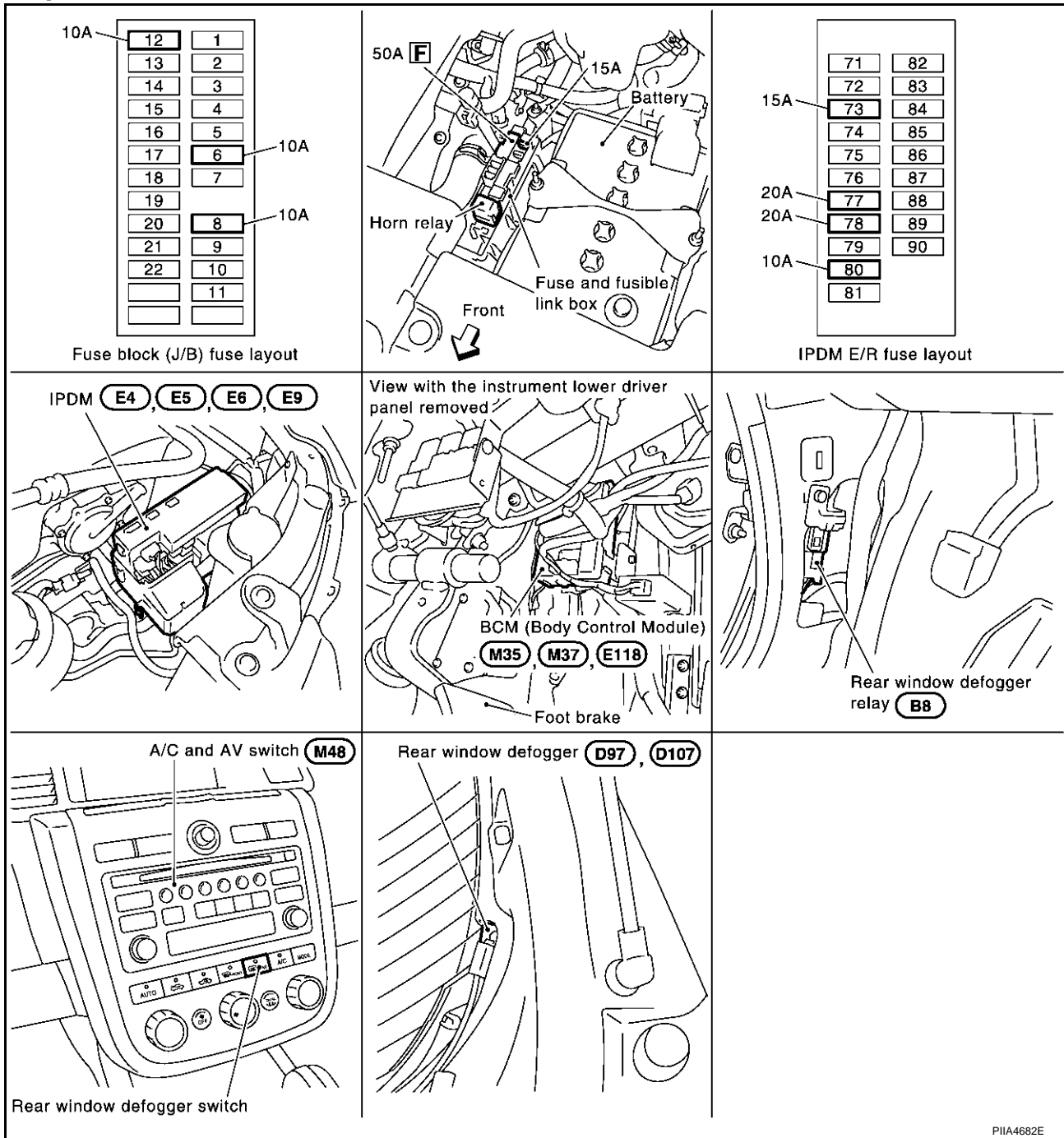
REAR WINDOW DEFOGGER

PPF:25350

REAR WINDOW DEFOGGER

Component Parts and Harness Connector Location

AIS0021B



A
B
C
D
E
F
G
H
J
K
L
M

GW

System Description

AIS0021C

The rear window defogger system is controlled by BCM (Body Control Module) and IPDM E/R (Intelligent Power Distribution Module Engine Room).

The rear window defogger operates only for approximately 15 minutes. Power is at all times supplied

- through 20A fuse [No. 77, and 78, located in the IPDM E/R]
- to rear window defogger relay terminals 3 and 6.
- through 15A fuse [No. 28, located in the fuse block (J/B)]
- to A/C and AV switch terminal 1.
- through 50A fusible link [letter F, located in the fuse block (J/B)]

REAR WINDOW DEFOGGER

- to BCM terminal 7.

With the ignition switch turned to ON or START position,
Power is supplied

- through 10A fuse [No.12, located in the fuse block (J/B)]
- to rear window defogger relay terminal 1.
- through 10A fuse [No.1, located in the fuse block (J/B)]
- to BCM terminal 35.
- through 10A fuse [No. 6, located in the fuse block (J/B)]
- to A/C and AV switch terminal 2.

Ground is supplied

- to BCM terminal 8
- through body grounds E13, E26 and E28.
- to A/C and AV switch terminal 5
- through body grounds M14 and M78.
- to internal CPU of IPDM E/R terminals 14 and 45
- through body grounds E13, E26 and E28.

When A/C and AV switch (rear window defogger switch) is turned to ON,
Ground is supplied

- to BCM terminal 69
- through A/C and AV switch terminal 16
- through A/C and AV switch terminal 5
- through body grounds M14 and M78.

Then rear window defogger switch is illuminated.

Then BCM recognizes that rear window defogger switch is turned to ON.

Then it sends rear window defogger switch signals to IPDM E/R and display control unit (with navigation) or display unit (without navigation) via DATA LINE (CAN H, CAN L).

When display control unit (with navigation) or display unit (without navigation) receives rear window defogger switch signals, and display on the screen.

When IPDM E/R receives rear window defogger switch signals,
Ground is supplied

- to rear window defogger relay terminal 2,
- through IPDM E/R terminal 54,
- through internal CPU of IPDM E/R and IPDM E/R terminal 45.
- through body grounds E13, E26 and E28,

and then rear window defogger relay is energized.

When rear window defogger relay is turned ON,
Signals are transmitted,

- through rear window defogger relay terminals 5
- to rear window defogger terminal 1,
- Rear window defogger terminal 2, is grounded through body grounds B7 and B20.

With power and ground supplied, rear window defogger filaments heat and defog the rear window.

When rear window defogger relay is turned to ON, (with door mirror defogger)

Power is supplied

- through rear window defogger relay terminals 5 and 7,
- through fuse block (J/B) terminal 2C,
- through 10A fuse [No. 8, located in the fuse block (J/B)],
- through fuse block (J/B) terminal 5B.
- to door mirror defogger (Driver side and passenger side) terminal 1.

Door mirror defogger (Driver side and passenger side) terminal 5 is grounded through body grounds M14 and M78.

With power and ground supplied, rear window defogger filaments heat and defog the rear window and door mirror defogger filaments heat and defog the mirror.

REAR WINDOW DEFOGGER

CAN Communication System Description

AIS003KN

CAN (Controller Area Network) is a serial communication line for real time application. It is an on-vehicle multiplex communication line with high data communication speed and excellent error detection ability. Many electronic control units are equipped onto a vehicle, and each control unit shares information and links with other control units during operation (not independent). In CAN communication, control units are connected with 2 communication lines (CAN H line, CAN L line) allowing a high rate of information transmission with less wiring. Each control unit transmits/receives data but selectively reads required data only.

CAN Communication Unit For 2WD Models

AIS003KO

Body type	Wagon															
Axle	2WD															
Engine	VQ35DE															
Transmission	CVT															
Brake control	ABS								VDC							
Low tire pressure warning system		×			×	×		×		×			×	×		×
Navigation system			×		×		×	×			×		×		×	×
Automatic drive positioner				×		×	×	×				×		×	×	×
CAN communication unit																
ECM	×	×	×	×	×	×	×	×	×	×	×	×	×	×	×	×
TCM	×	×	×	×	×	×	×	×	×	×	×	×	×	×	×	×
Low tire pressure warning control unit		×			×	×		×		×			×	×		×
Display unit	×	×		×		×			×	×		×		×		
Display control unit			×		×		×	×			×		×		×	×
Data link connector	×	×	×	×	×	×	×	×	×	×	×	×	×	×	×	×
BCM	×	×	×	×	×	×	×	×	×	×	×	×	×	×	×	×
Unified meter and A/C amp.	×	×	×	×	×	×	×	×	×	×	×	×	×	×	×	×
Steering angle sensor									×	×	×	×	×	×	×	×
Driver seat control unit				×		×	×	×				×		×	×	×
ABS actuator and electric unit (control unit)	×	×	×	×	×	×	×	×	×	×	×	×	×	×	×	×
IPDM E/R	×	×	×	×	×	×	×	×	×	×	×	×	×	×	×	×
CAN communication type	GW-68. "TYPE 1/TYPE 2/TYPE 3/TYPE 4/TYPE 5/TYPE 6/TYPE 7/TYPE 8"								GW-73. "TYPE 9/TYPE10/TYPE 11/TYPE 12/TYPE 13/TYPE 14/TYPE 15/TYPE 16"							

×: Applicable

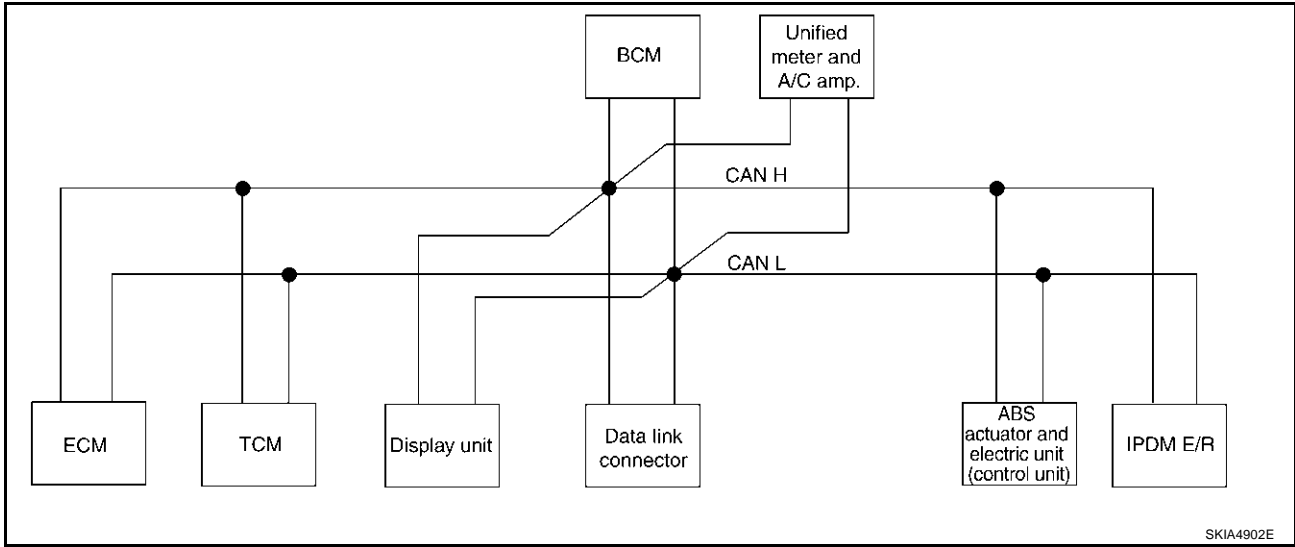
A
B
C
D
E
F
G
H
GW
J
K
L
M

REAR WINDOW DEFOGGER

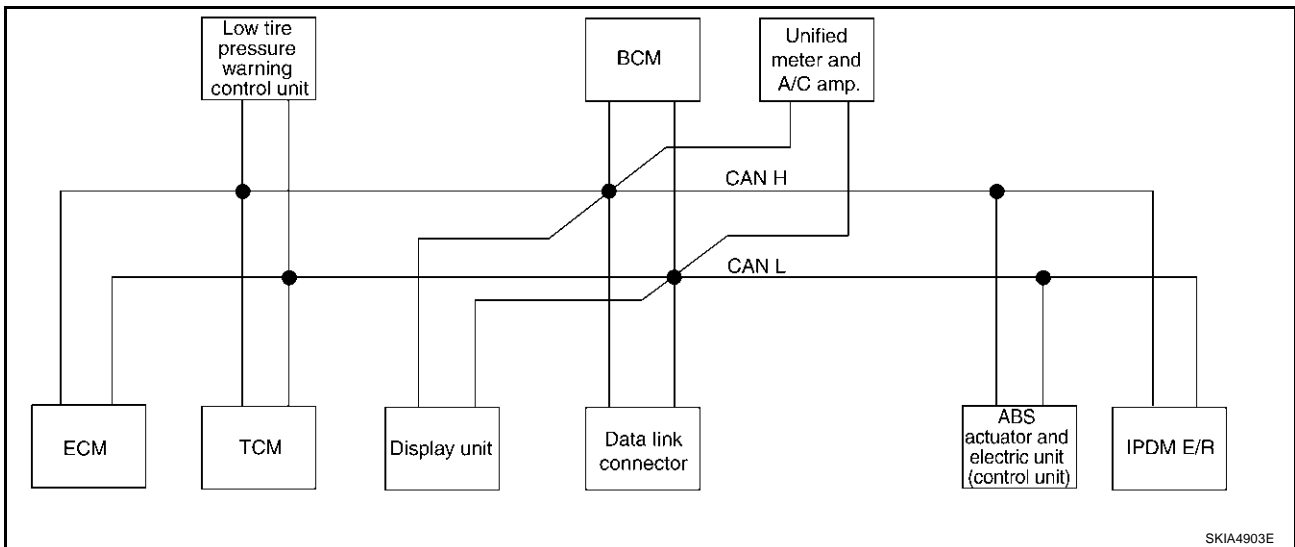
TYPE 1/TYPE 2/TYPE 3/TYPE 4/TYPE 5/TYPE 6/TYPE 7/TYPE 8

System Diagram

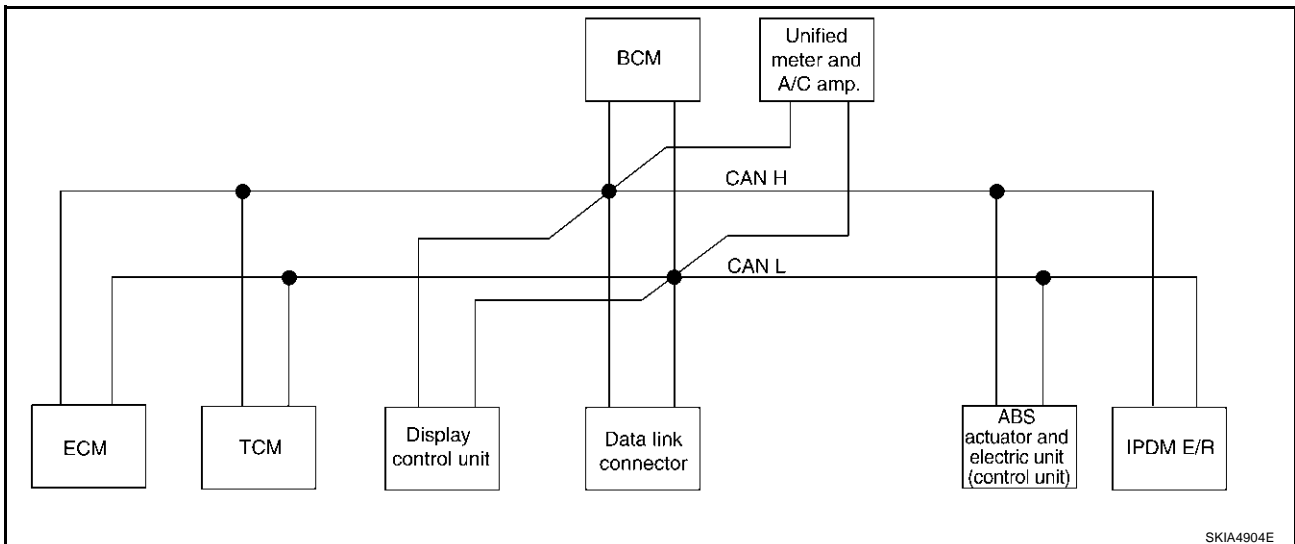
- Type1



- Type2

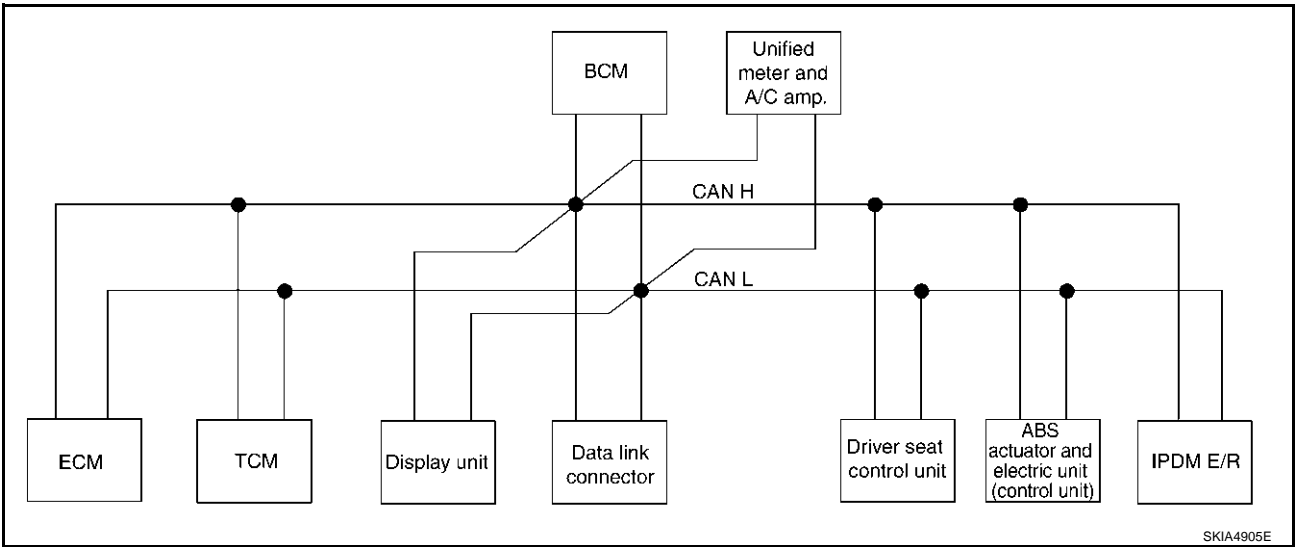


- Type3

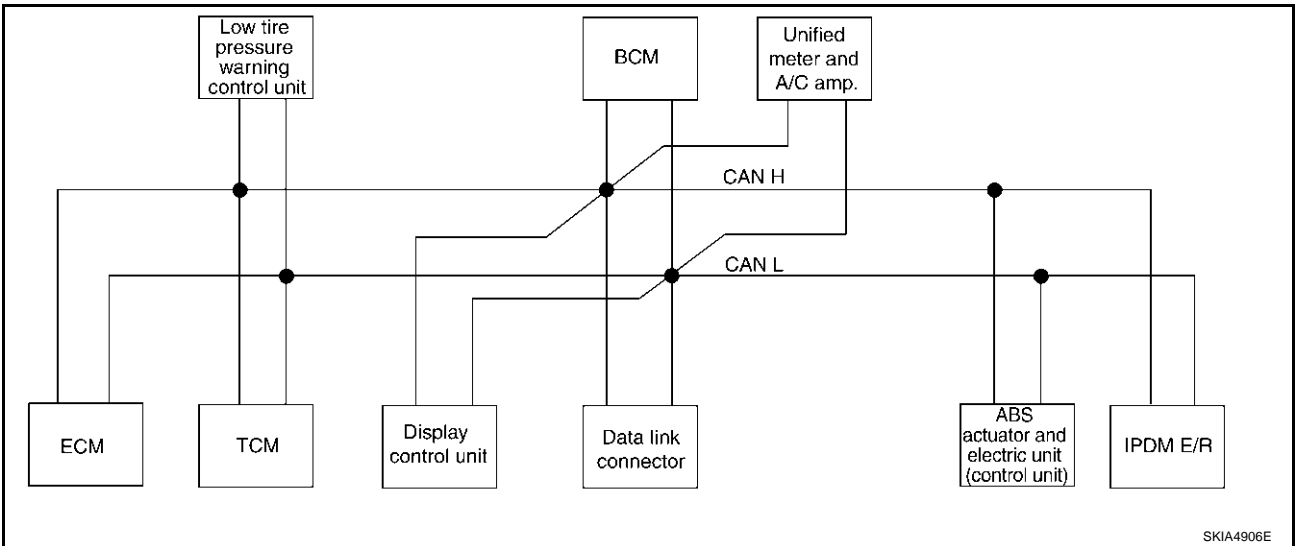


REAR WINDOW DEFOGGER

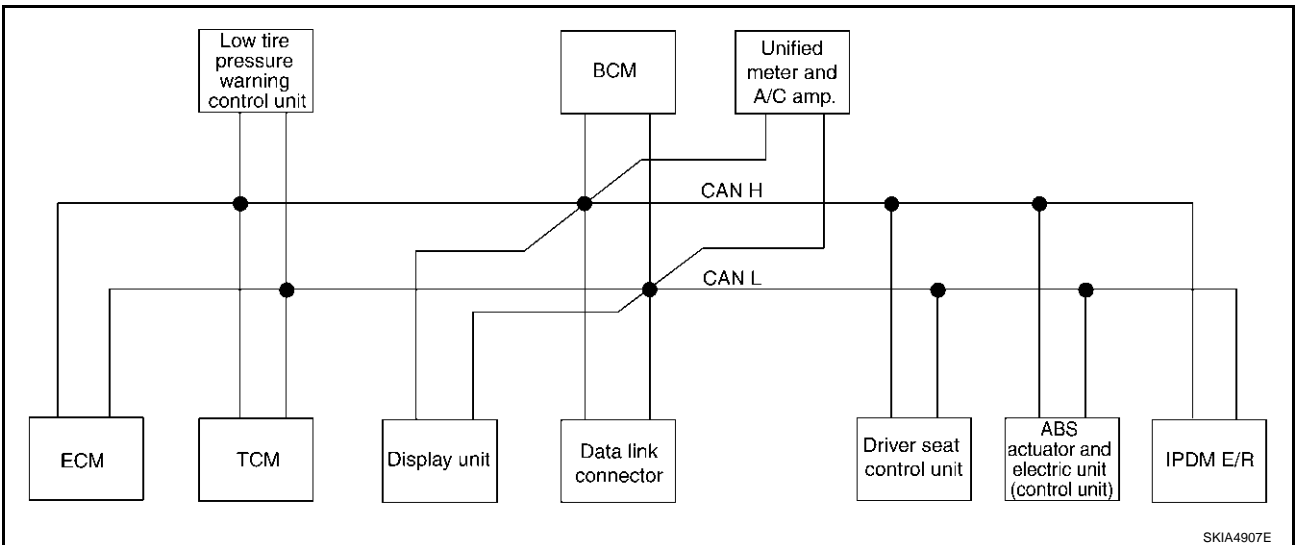
- Type4



- Type5



- Type6

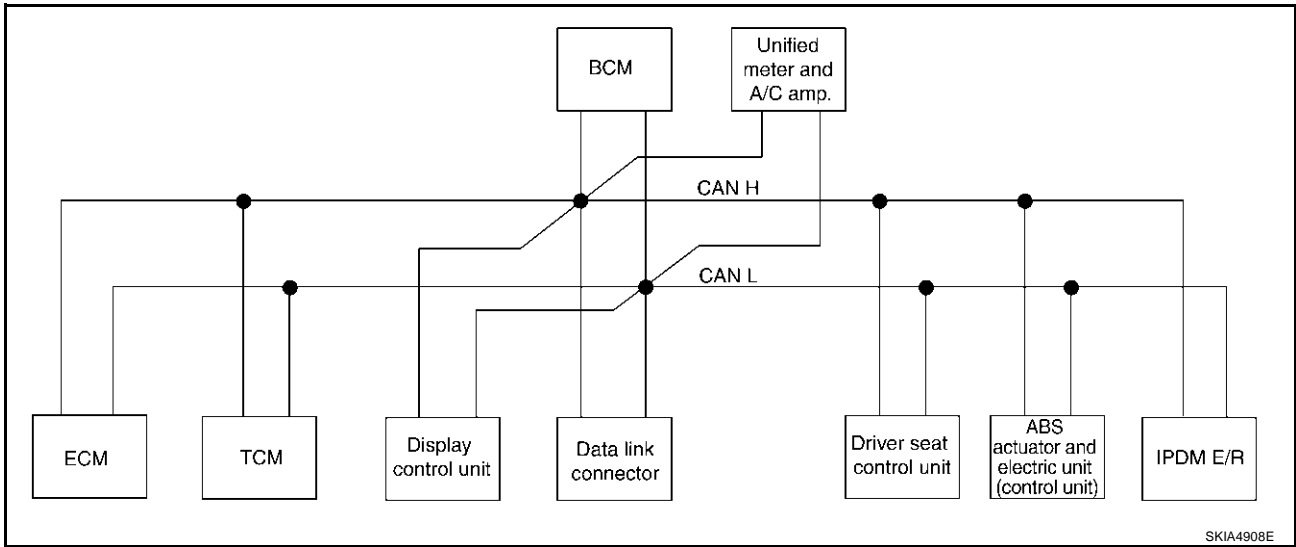


A
B
C
D
E
F
G
H
I
J
K
L
M

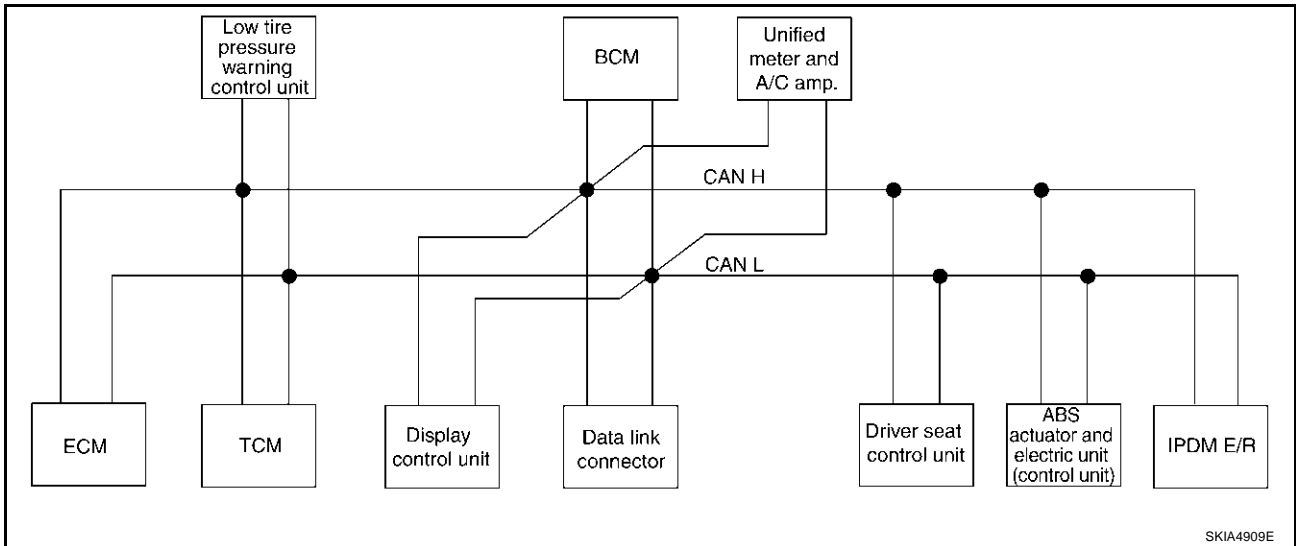
GW

REAR WINDOW DEFOGGER

- Type7



- Type8



REAR WINDOW DEFOGGER

Input/output Signal Chart

T: Transmit R: Receive

Signals	ECM	TCM	Low tire pressure warning control unit	Display unit	Display control unit	BCM	Unified meter and A/C amp.	Driver seat control unit	ABS actuator and electric unit (control unit)	IPDM E/R
Engine speed signal	T	R			R	R	R			
Engine status signal	T					R				
Engine coolant temperature signal	T						R			
CVT position indicator signal		T					R			
Second position signal		R					T			
Second position indicator signal		T					R			
Engine and CVT integrated control signal	T R	R T								
Accelerator pedal position signal	T	R								
Closed throttle position signal	T	R								
Wide open throttle position signal	T	R								
Key switch signal						T		R		
Ignition switch signal						T		R		R
P range signal		T						R		
Stop lamp switch signal		R					T			
Fuel consumption monitor signal	T						R			
CVT self-diagnosis signal	R	T								
ABS operation signal		R							T	
Air conditioner switch signal	R					T				
A/C compressor request signal	T									R
A/C compressor feedback signal	T						R			
Blower fan motor switch signal	R					T				
A/C control signal				T R	T R		R T			
Cooling fan speed request signal	T									R
Position lights request signal						T	R			R
Low beam request signal						T				R
Low beam status signal	R									T
High beam request signal						T	R			R
High beam status signal	R									T
Front fog lights request signal						T				R
Vehicle speed signal		R					R		T	
	R		R		R	R	T	R		
Sleep request 1 signal						T	R			
Sleep request 2 signal						T				R
Door switch signal						R	T			
				R	R	T	R	R		R
Turn indicator signal						T	R			

A

B

C

D

E

F

G

H

GW

J

K

L

M

REAR WINDOW DEFOGGER

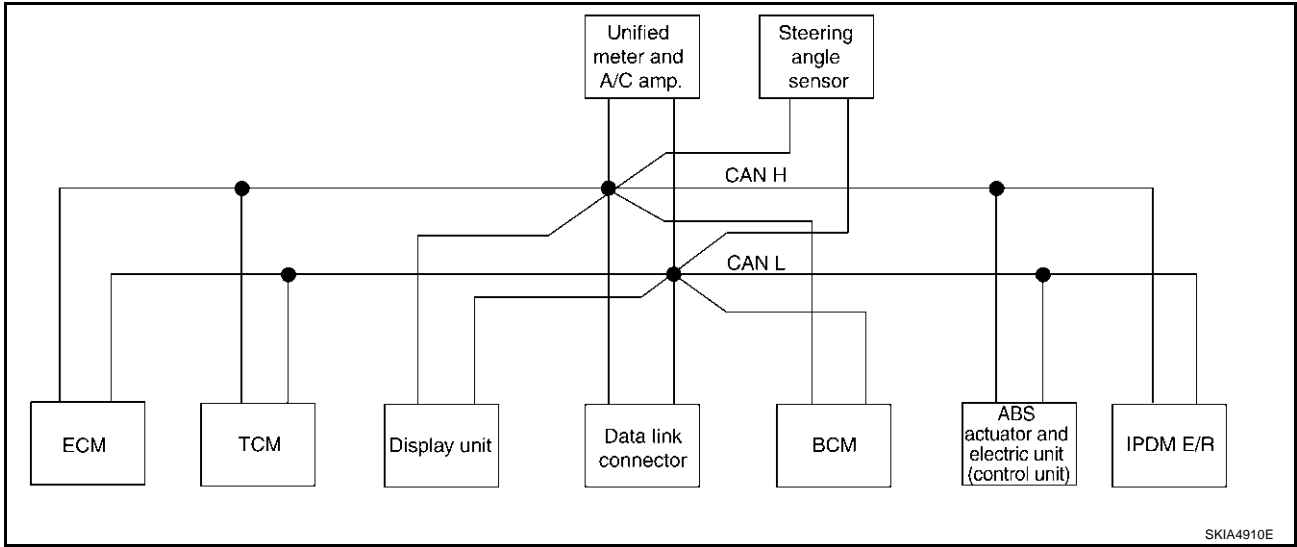
Signals	ECM	TCM	Low tire pressure warning control unit	Display unit	Display control unit	BCM	Unified meter and A/C amp.	Driver seat control unit	ABS actuator and electric unit (control unit)	IPDM E/R
Key fob ID signal						T		R		
Key fob door unlock signal						T		R		
Seat belt buckle switch signal						R	T			
Oil pressure switch signal						R				T
						T	R			
Buzzer output signal						T	R			
Fuel level sensor signal	R						T			
Fuel level low warning signal				R	R		T			
Malfunction indicator lamp signal	T						R			
ASCD SET lamp signal	T						R			
ASCD CRUISE lamp signal	T						R			
Input shaft revolution signal	R	T								
Output shaft revolution signal	R	T								
Front wiper request signal						T				R
Front wiper stop position signal						R				T
Rear window defogger switch signal						T				R
Rear window defogger control signal	R			R	R					T
Hood switch signal						R				T
Theft warning horn request signal						T				R
Horn chirp signal						T				R
Tire pressure signal			T				R			
Tire pressure data signal			T	R	R					
ABS warning lamp signal							R		T	
Brake warning lamp signal							R		T	
System setting signal				T	T			R		
Parking brake switch signal						R	T			

REAR WINDOW DEFOGGER

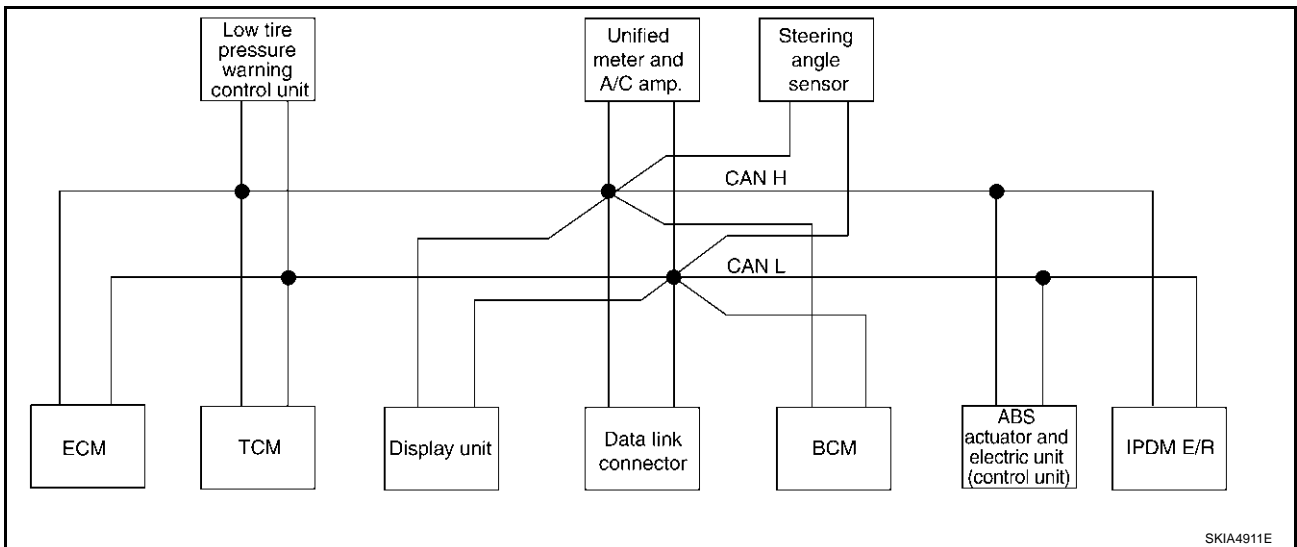
TYPE 9/TYPER10/TYPER 11/TYPER 12/TYPER 13/TYPER 14/TYPER 15/TYPER 16

System Diagram

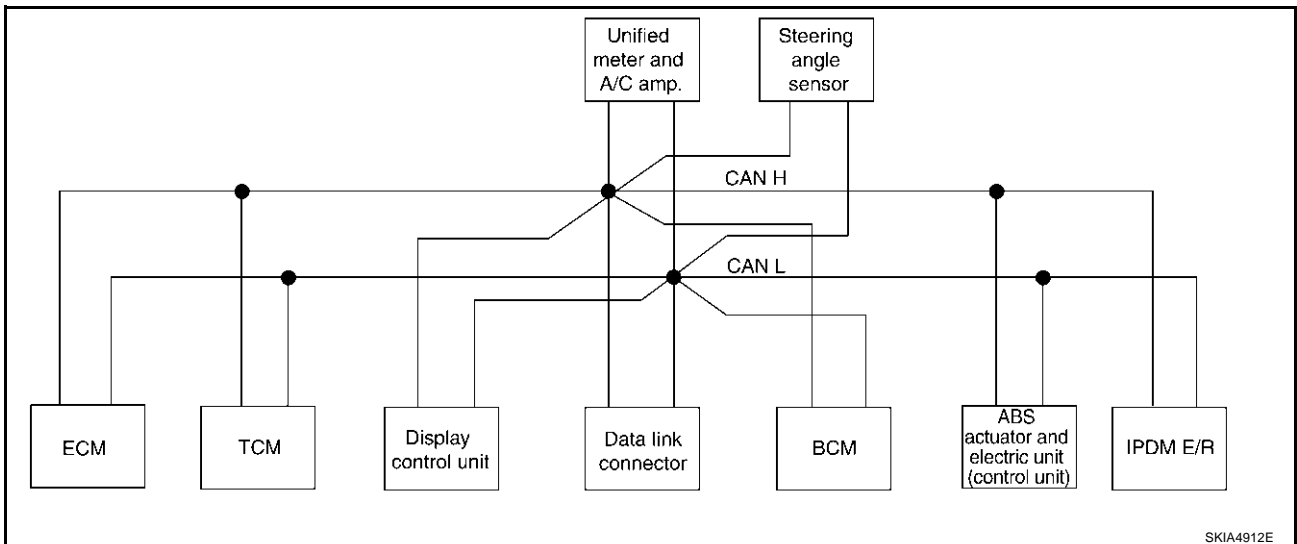
- Type9



- Type10



- Type11

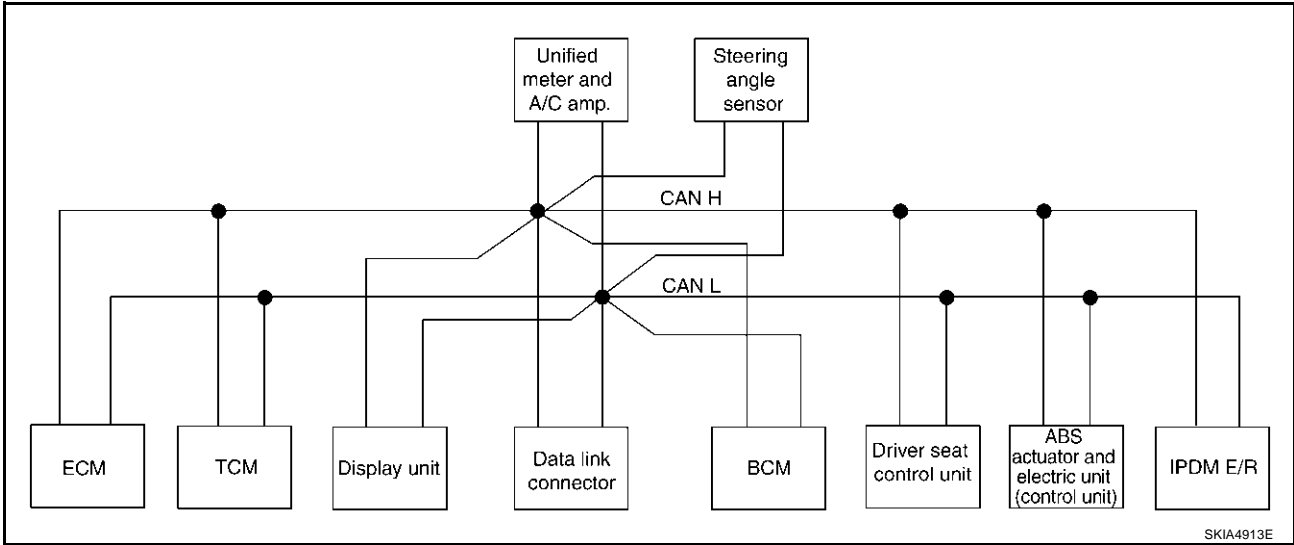


A
B
C
D
E
F
G
H
J
K
L
M

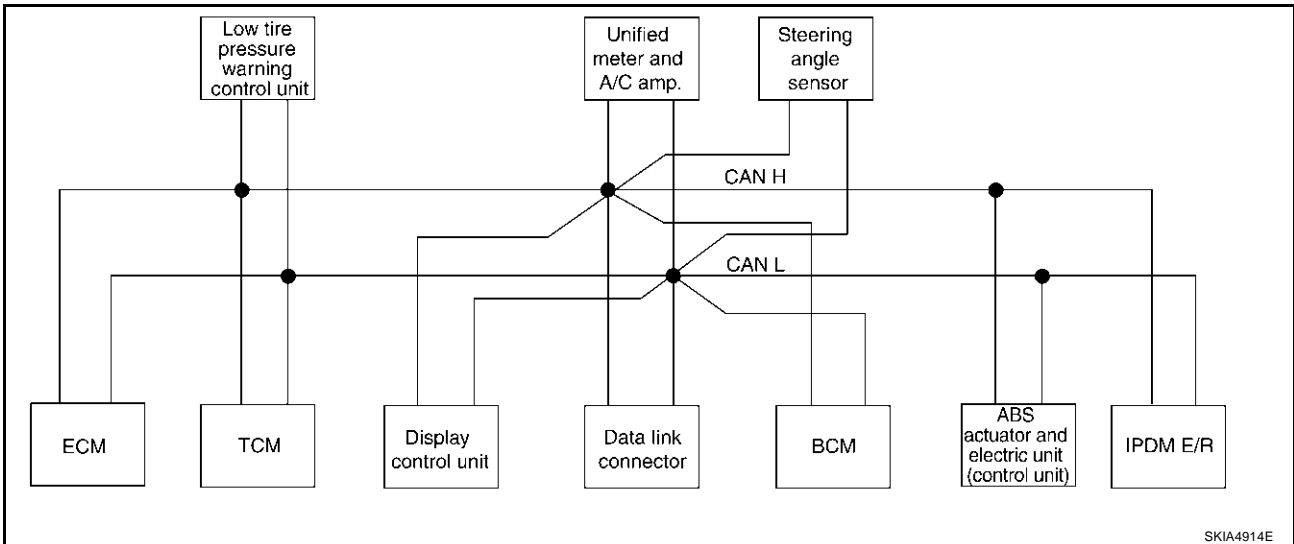
GW

REAR WINDOW DEFOGGER

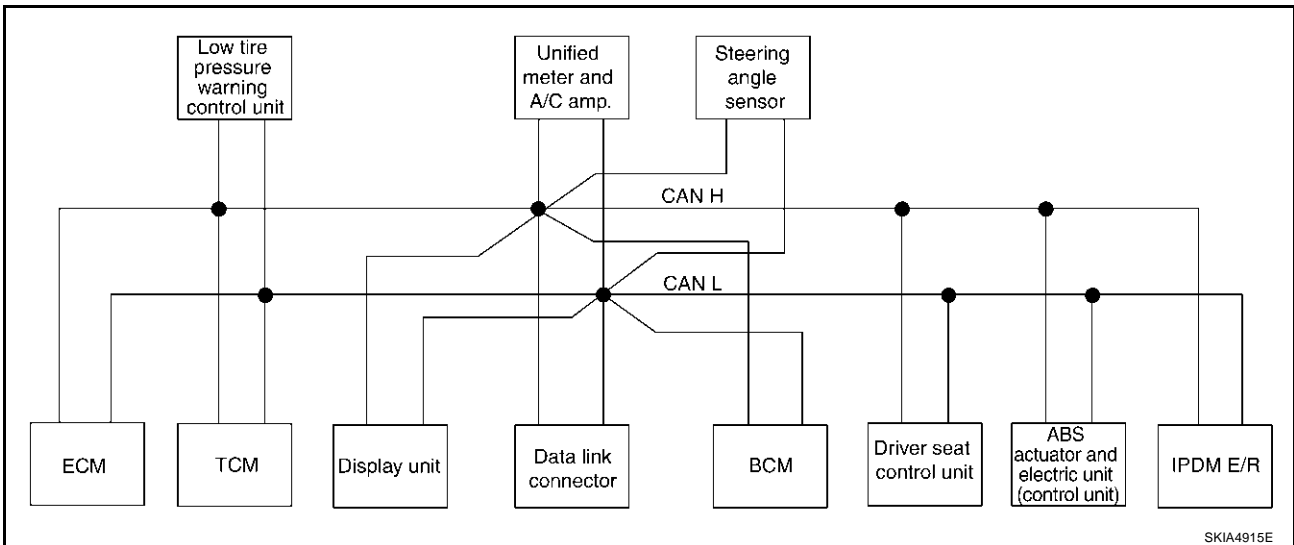
- Type12



- Type13

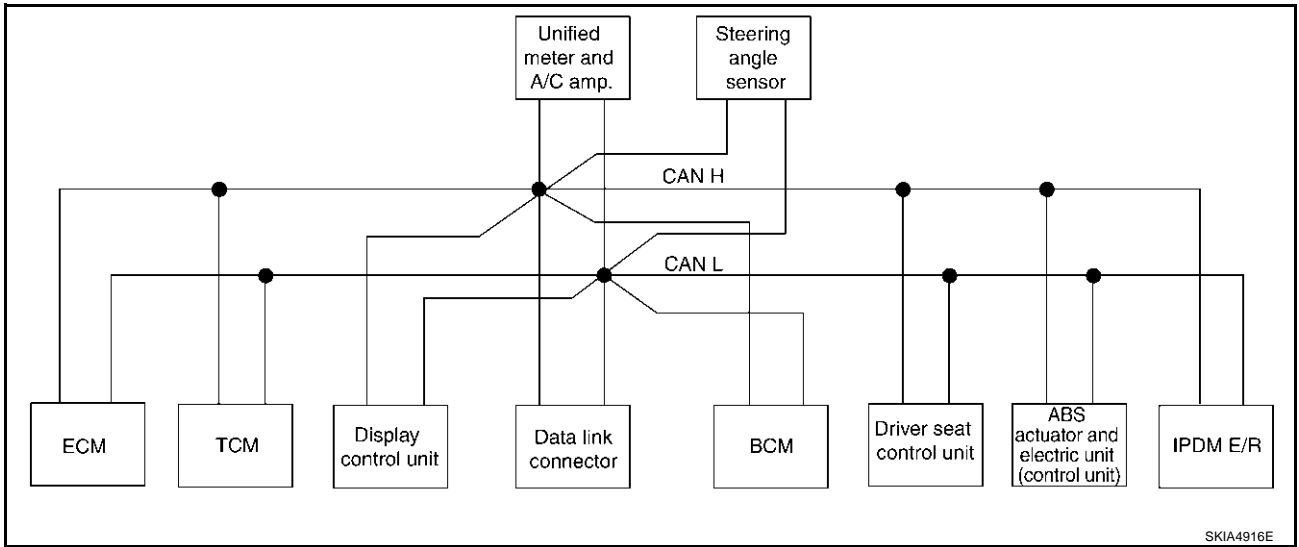


- Type14

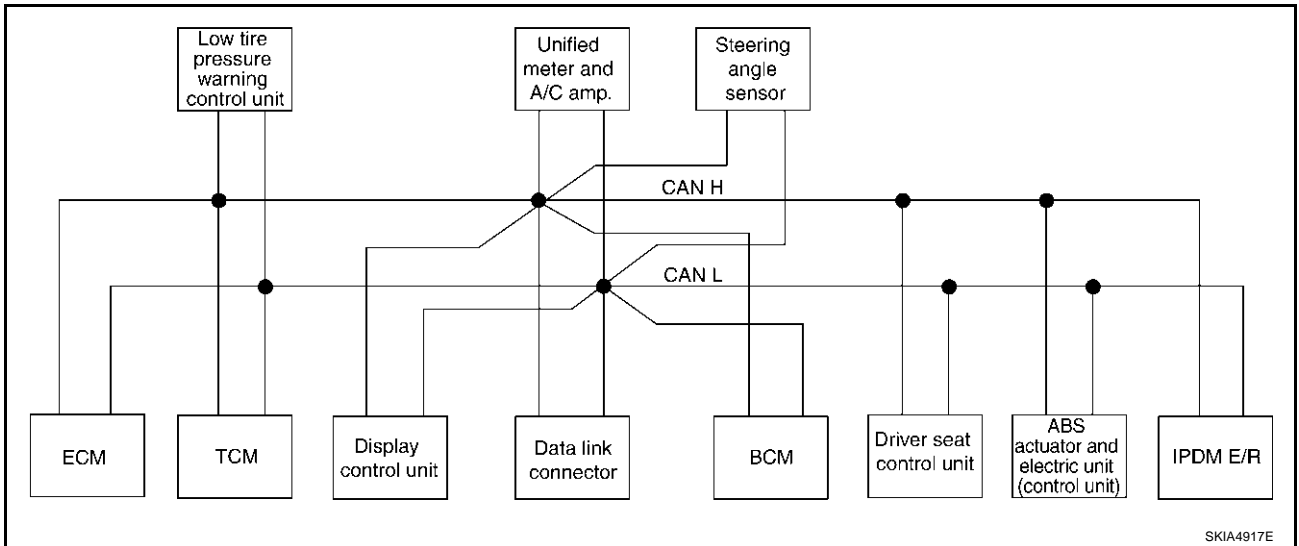


REAR WINDOW DEFOGGER

- Type15



- Type16



A
B
C
D
E
F
G
H
GW
J
K
L
M

REAR WINDOW DEFOGGER

Input/output Signal Chart

T: Transmit R: Receive

Signals	ECM	TCM	Low tire pressure warning control unit	Display unit	Display control unit	BCM	Unified meter and A/C amp.	Steering angle sensor	Driver seat control unit	ABS actuator and electric unit (control unit)	IPDM E/R
Engine speed signal	T	R			R	R	R			R	
Engine status signal	T					R					
Engine coolant temperature signal	T						R				
Engine and CVT integrated control signal	T	R									
	R	T									
Accelerator pedal position signal	T	R								R	
Closed throttle position signal	T	R									
Wide open throttle position signal	T	R									
Key switch signal						T			R		
Ignition switch signal						T			R		R
P range signal		T							R	R	
Stop lamp switch signal		R					T				
VDC operation signal		R								T	
Second position indicator signal		T					R			R	
Second position signal		R					T				
Fuel consumption monitor signal	T						R				
CVT self-diagnosis signal	R	T									
Input shaft revolution signal	R	T								R	
Output shaft revolution signal	R	T								R	
Air conditioner switch signal	R					T					
A/C compressor request signal	T										R
A/C compressor feedback signal	T						R				
Blower fan motor switch signal	R					T					
A/C control signal				T	T		R				
				R	R		T				
Cooling fan speed request signal	T										R
Position lights request signal						T	R				R
Low beam request signal						T					R
Low beam status signal	R										T
High beam request signal						T	R				R
High beam status signal	R										T
Front fog lights request signal						T					R
Vehicle speed signal		R					R			T	
	R		R		R	R	T		R		
Sleep request 1 signal						T	R				
Sleep request 2 signal						T					R

REAR WINDOW DEFOGGER

Signals	ECM	TCM	Low tire pressure warning control unit	Display unit	Display control unit	BCM	Unified meter and A/C amp.	Steering angle sensor	Driver seat control unit	ABS actuator and electric unit (control unit)	IPDM E/R	
Door switch signal						R	T					A
Turn indicator signal				R	R	T	R		R		R	B
Key fob ID signal						T			R			C
Key fob door unlock signal						T			R			D
Seat belt buckle switch signal						R	T					E
Oil pressure switch signal						R					T	F
Buzzer output signal						T	R					G
Fuel level sensor signal	R						T					H
Fuel level low warning signal				R	R		T					I
Malfunction indicator signal	T						R					J
ASCD SET lamp signal	T						R					K
ASCD CRUISE lamp signal	T						R					L
Front wiper request signal						T					R	M
Front wiper stop position signal						R					T	
Rear window defogger switch signal						T					R	
Rear window defogger control signal	R			R	R						T	
Hood switch signal						R					T	
Theft warning horn request signal						T					R	
Horn chirp signal						T					R	
Steering angle sensor signal								T		R		
Tire pressure signal			T				R					
Tire pressure data signal			T	R	R							
CVT position indicator signal		T					R			R		
ABS warning lamp signal							R			T		
VDC OFF indicator lamp signal							R			T		
SLIP indicator lamp signal							R			T		
Brake warning lamp signal							R			T		
System setting signal				T	T				R			
Parking brake switch signal						R	T					

GW

REAR WINDOW DEFOGGER

CAN Communication Unit For AWD Models

AIS003KP

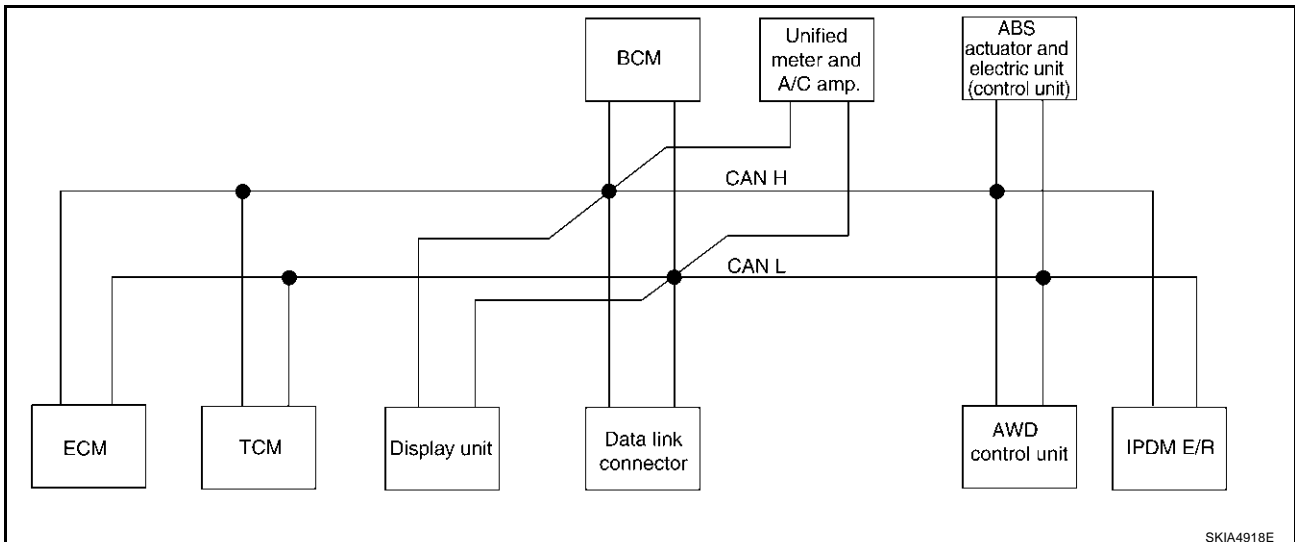
Body type	Wagon														
Axle	AWD														
Engine	VQ35DE														
Transmission	CVT														
Brake control	ABS							VDC							
Low tire pressure warning system		×			×	×		×				×	×		×
Navigation system			×		×		×	×			×		×		×
Automatic drive positioner				×		×	×	×				×		×	×
CAN communication unit															
ECM	×	×	×	×	×	×	×	×	×	×	×	×	×	×	×
TCM	×	×	×	×	×	×	×	×	×	×	×	×	×	×	×
Low tire pressure warning control unit		×			×	×		×		×		×	×		×
Display unit	×	×		×		×			×	×		×		×	
Display control unit			×		×		×	×			×		×		×
Data link connector	×	×	×	×	×	×	×	×	×	×	×	×	×	×	×
BCM	×	×	×	×	×	×	×	×	×	×	×	×	×	×	×
Unified meter and A/C amp.	×	×	×	×	×	×	×	×	×	×	×	×	×	×	×
Steering angle sensor									×	×	×	×	×	×	×
Driver seat control unit				×		×	×	×				×		×	×
AWD control unit	×	×	×	×	×	×	×	×	×	×	×	×	×	×	×
ABS actuator and electric unit (control unit)	×	×	×	×	×	×	×	×	×	×	×	×	×	×	×
IPDM E/R	×	×	×	×	×	×	×	×	×	×	×	×	×	×	×
CAN communication type	<u>GW-78. "TYPE 17/TYPE 18/TYPE 19/TYPE 20/TYPE 21/TYPE 22/TYPE 23/TYPE 24"</u>							<u>GW-84. "TYPE 25/TYPE 26/TYPE 27/TYPE 28/TYPE 29/TYPE 30/TYPE 31/TYPE 32"</u>							

×: Applicable

TYPE 17/TYPE 18/TYPE 19/TYPE 20/TYPE 21/TYPE 22/TYPE 23/TYPE 24

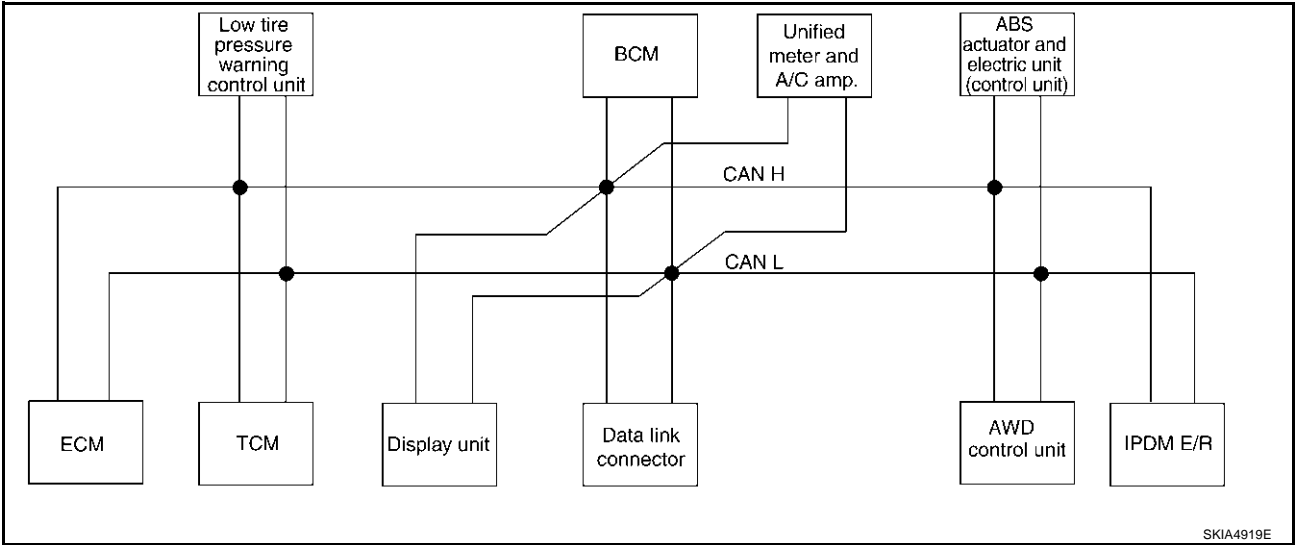
System Diagram

- Type17

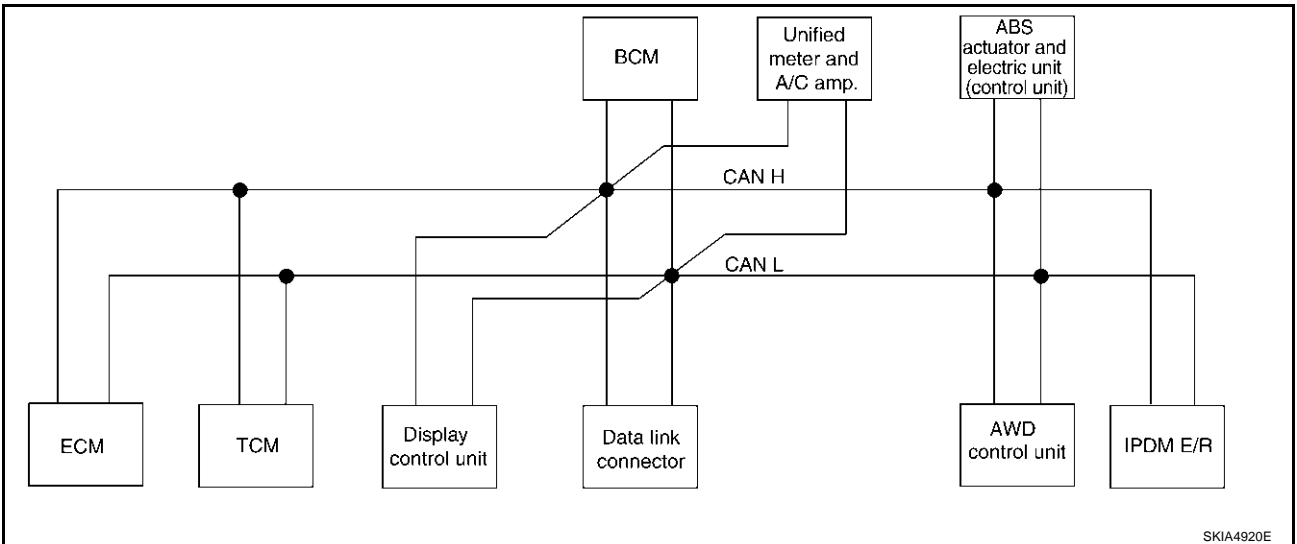


REAR WINDOW DEFOGGER

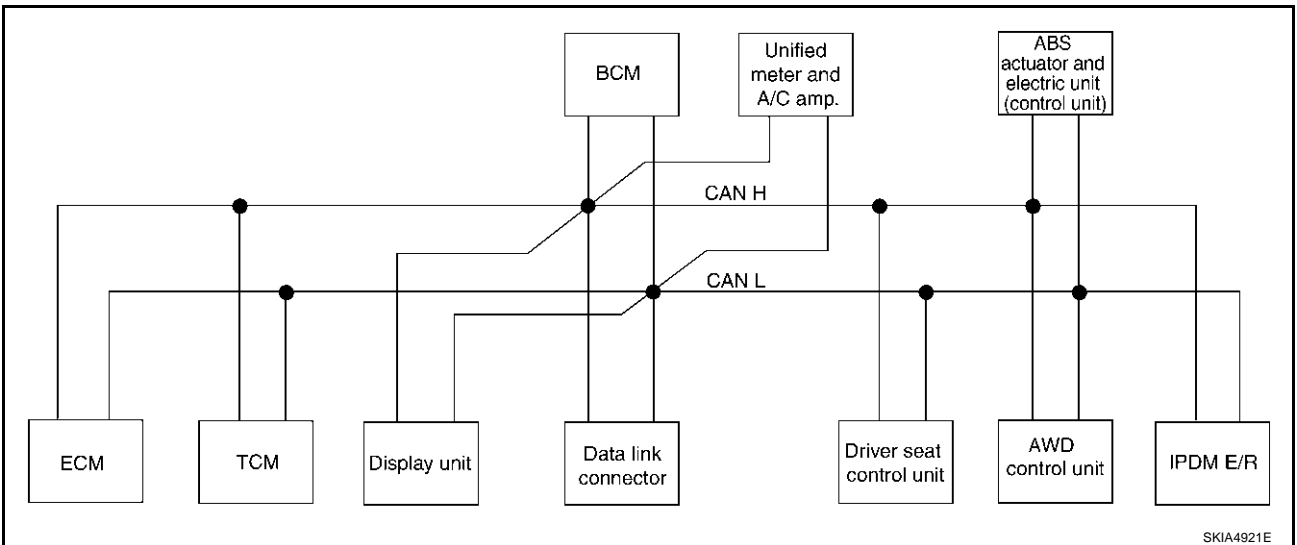
- Type18



- Type19



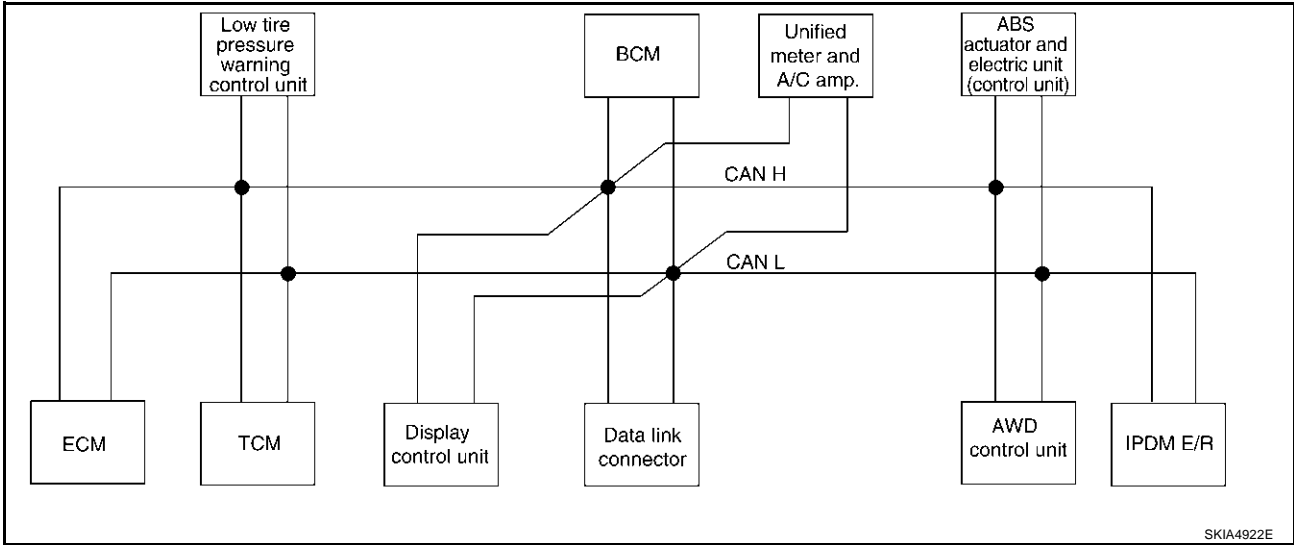
- Type20



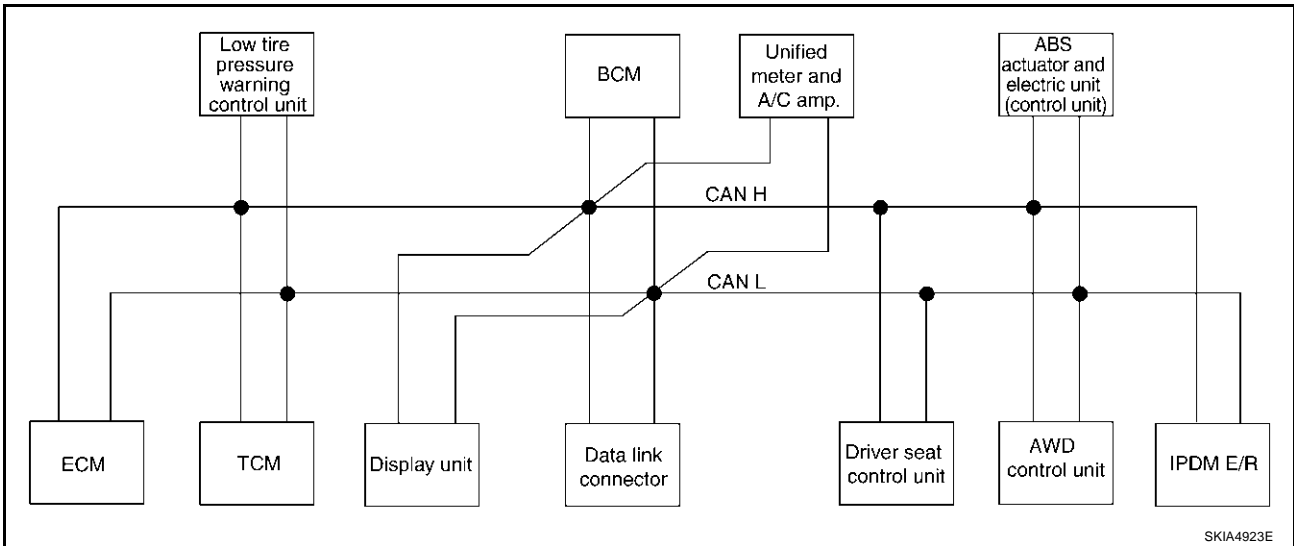
A
B
C
D
E
F
G
H
GW
J
K
L
M

REAR WINDOW DEFOGGER

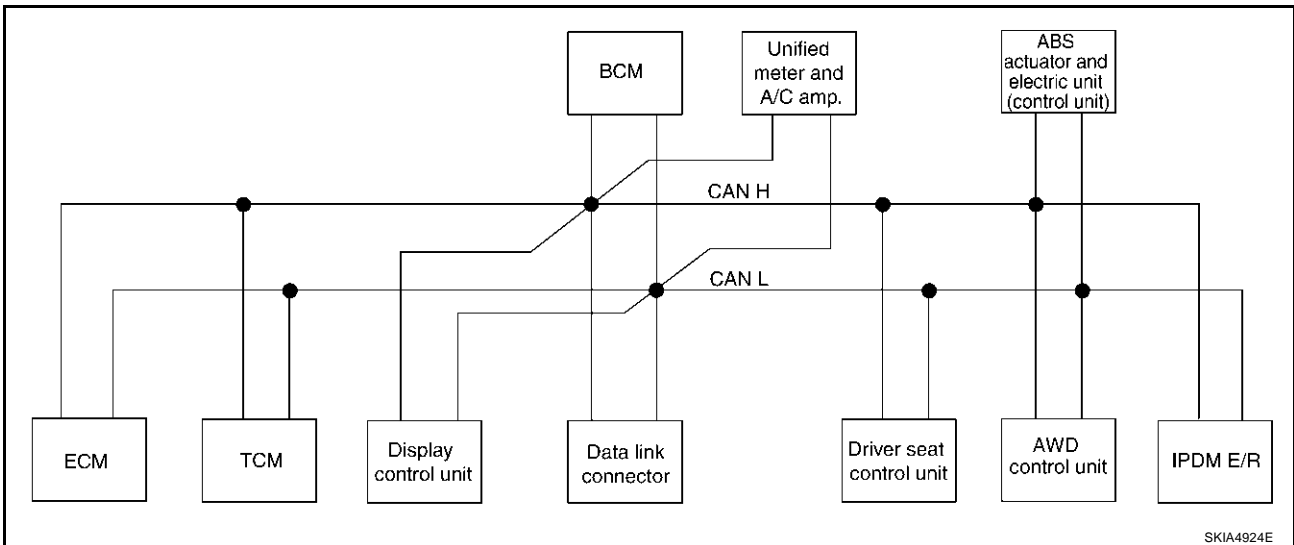
- Type21



- Type22

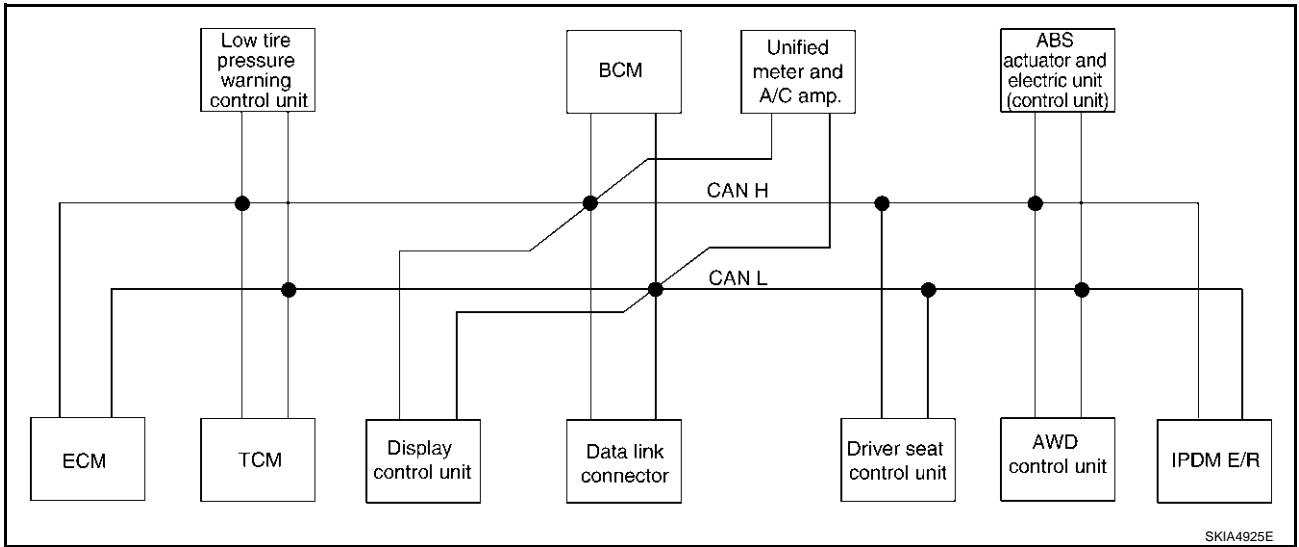


- Type23



REAR WINDOW DEFOGGER

- Type24



A
B
C
D
E
F
G
H
GW
J
K
L
M

GW

REAR WINDOW DEFOGGER

Input/output Signal Chart

T: Transmit R: Receive

Signals	ECM	TCM	Low tire pressure warning control unit	Display unit	Display control unit	BCM	Unified meter and A/C amp.	Driver seat control unit	AWD control unit	ABS actuator and electric unit (control unit)	IPDM E/R
CVT position indicator signal		T					R				
Second position signal		R					T				
Second position indicator signal		T					R				
Engine speed signal	T	R	R		R	R	R		R		
Engine status signal	T					R					
Engine coolant temperature signal	T						R				
Accelerator pedal position signal	T	R							R		
Closed throttle position signal	T	R									
Wide open throttle position signal	T	R									
Key switch signal						T		R			
Ignition switch signal						T		R			R
P range signal		T						R			
Stop lamp switch signal		R					T		R		
Fuel consumption monitor signal	T						R				
CVT self-diagnosis signal	R	T									
ABS operation signal		R							R	T	
Air conditioner switch signal	R					T					
A/C compressor request signal	T										R
A/C compressor feedback signal	T						R				
Blower fan motor switch signal	R					T					
A/C control signal				T	T		R				
				R	R		T				
Cooling fan speed request signal	T										R
Position lights request signal						T	R				R
Low beam request signal						T					R
Low beam status signal	R										T
High beam request signal						T	R				R
High beam status signal	R										T
Front fog lights request signal						T					R
Vehicle speed signal		R					R		R	T	
	R		R		R	R	T	R			
Sleep request 1 signal						T	R				
Sleep request 2 signal						T					R
Door switch signal						R	T				
				R	R	T	R	R			R
Key fob ID signal						T		R			
Key fob door unlock signal						T		R			

REAR WINDOW DEFOGGER

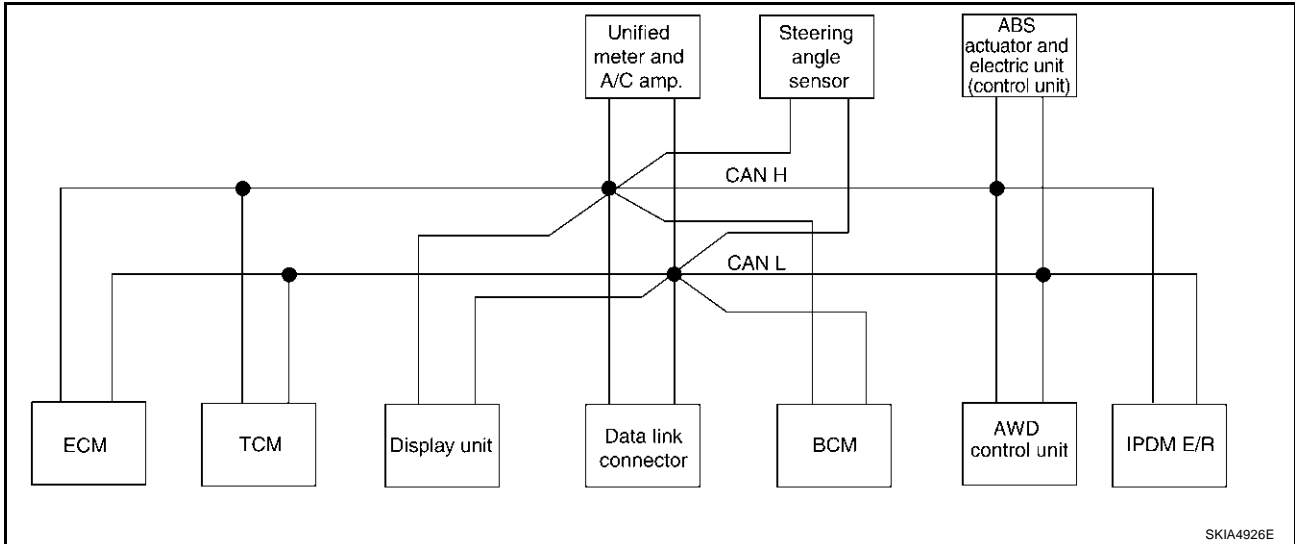
Signals	ECM	TCM	Low tire pres- sure warn- ing con- trol unit	Dis- play unit	Dis- play con- trol unit	BCM	Uni- fied meter and A/ C amp.	Driver seat con- trol unit	AWD con- trol unit	ABS actua- tor and elec- tric unit (con- trol unit)	IPDM E/R	A
Turn indicator signal						T	R					B
Seat belt buckle switch signal						R	T					C
Oil pressure switch signal						R					T	D
						T	R					E
Buzzer output signal						T	R					F
Fuel level sensor signal	R						T					G
Fuel level low warning signal				R	R		T					H
Malfunction indicator lamp signal	T						R					I
ASCD SET lamp signal	T						R					J
ASCD CRUISE lamp signal	T						R					K
Input shaft revolution signal	R	T										L
Output shaft revolution signal	R	T										M
Front wiper request signal						T					R	GW
Front wiper stop position signal						R					T	GW
Rear window defogger switch signal						T					R	GW
Rear window defogger control signal	R			R	R						T	GW
Engine and CVT integrated control signal	T	R										J
	R	T										J
Hood switch signal						R					T	K
Theft warning horn request signal						T					R	K
Horn chirp signal						T					R	K
Tire pressure signal			T				R					L
Tire pressure data signal			T	R	R							L
ABS warning lamp signal							R			T		M
Brake warning lamp signal							R			T		M
System setting signal				T	T			R				M
AWD warning lamp signal							R		T			M
AWD lock indicator lamp signal							R		T			M
AWD lock switch signal							T		R			M
Parking brake switch signal						R	T		R			M

REAR WINDOW DEFOGGER

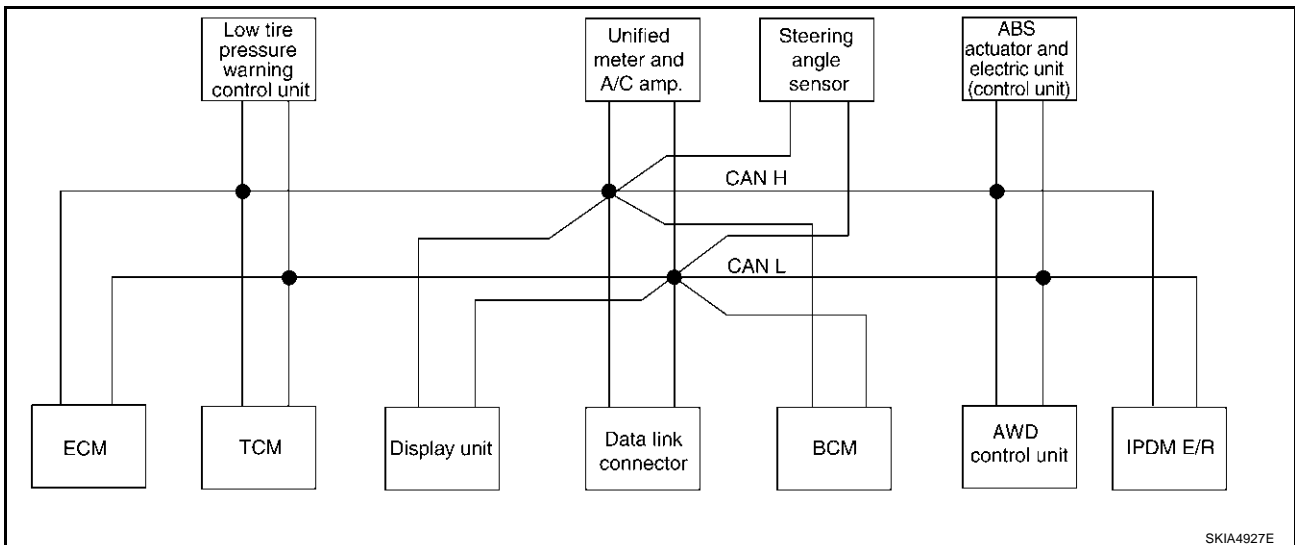
TYPE 25/TYPER26/TYPER 27/TYPER 28/TYPER 29/TYPER 30/TYPER 31/TYPER 32

System Diagram

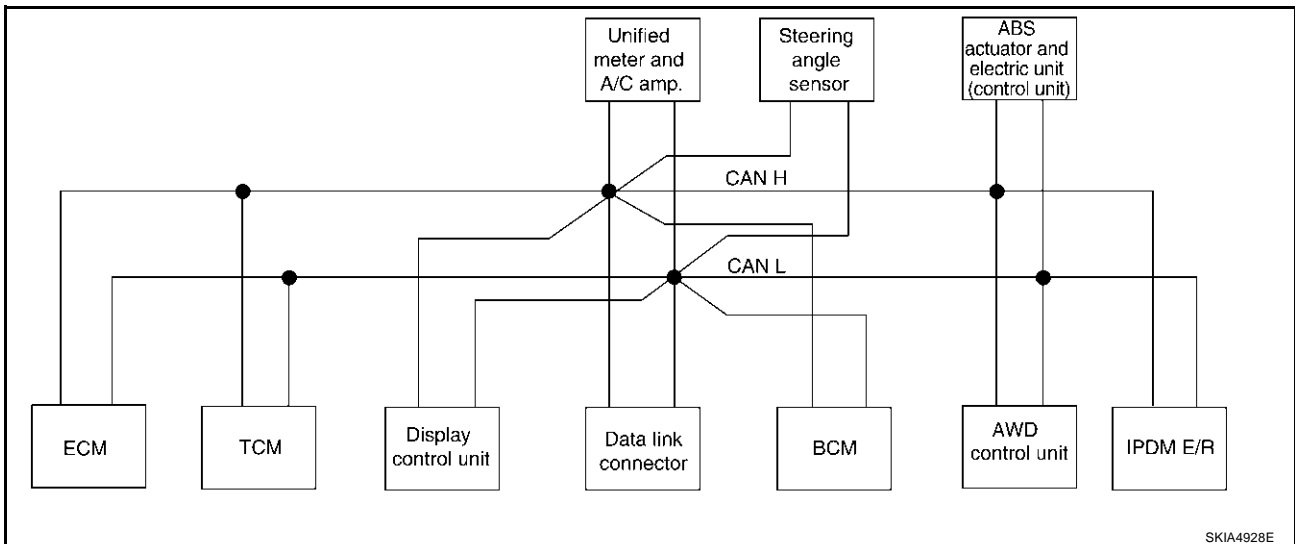
- Type25



- Type26

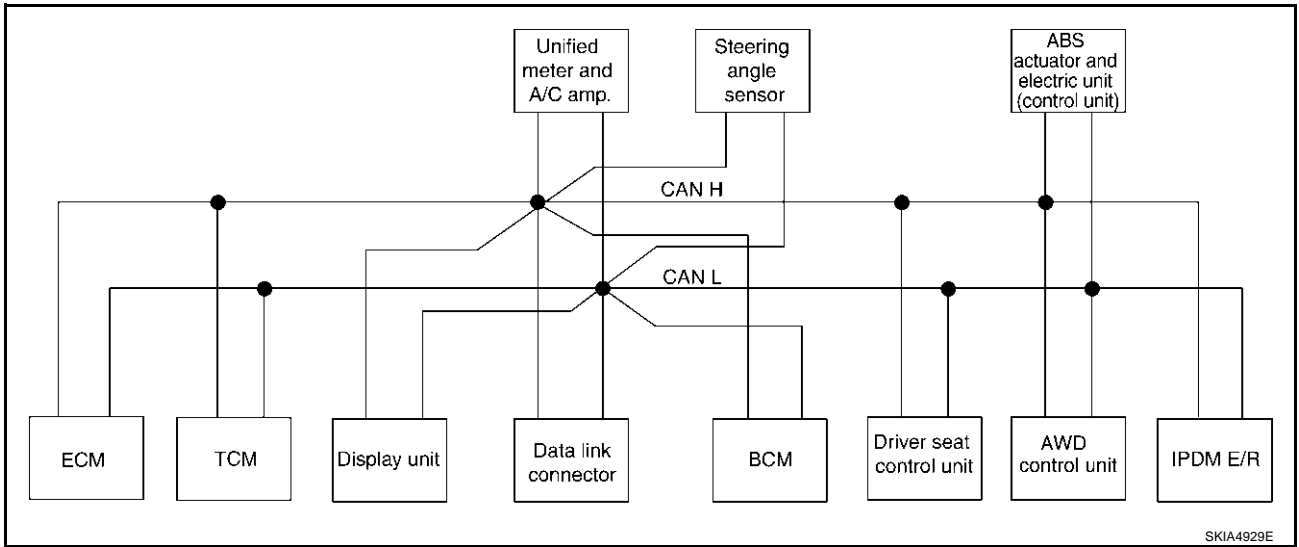


- Type27

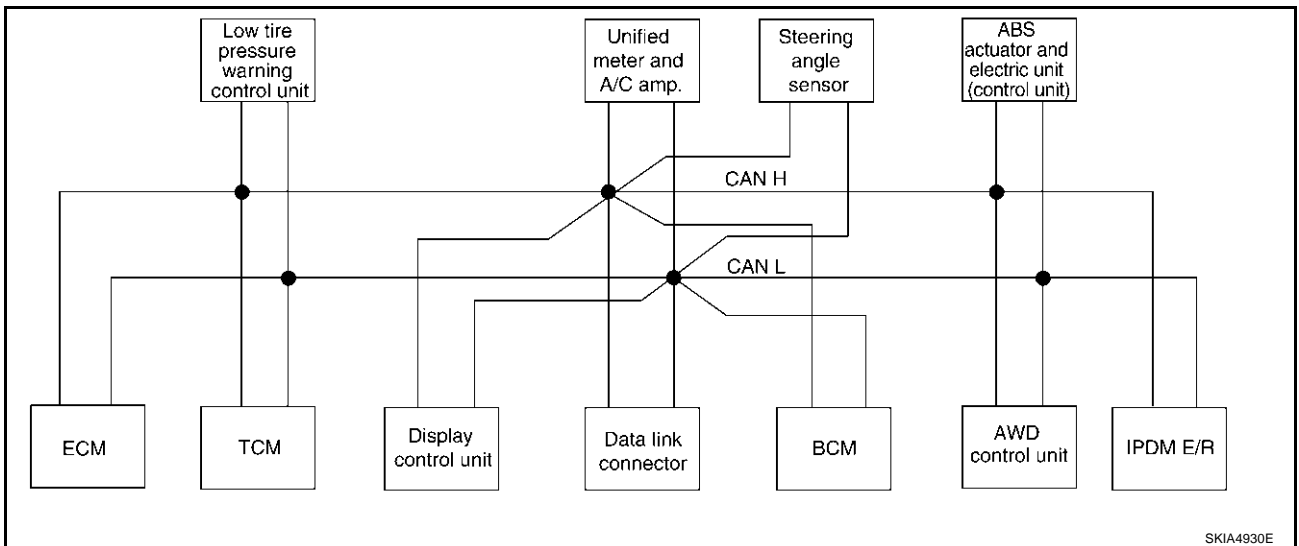


REAR WINDOW DEFOGGER

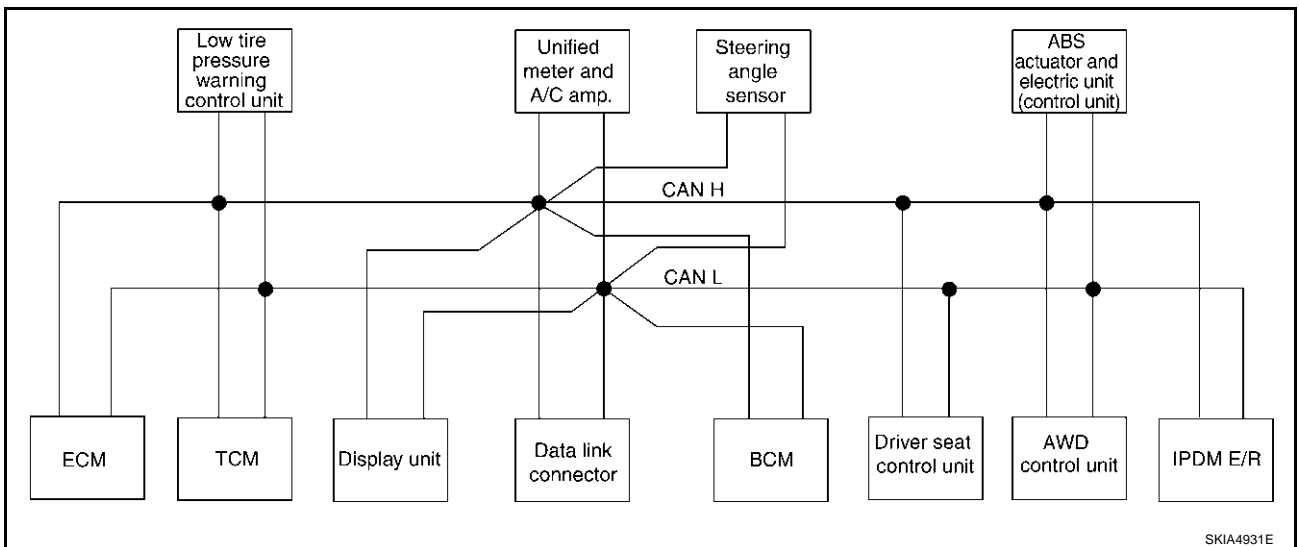
- Type28



- Type29



- Type30

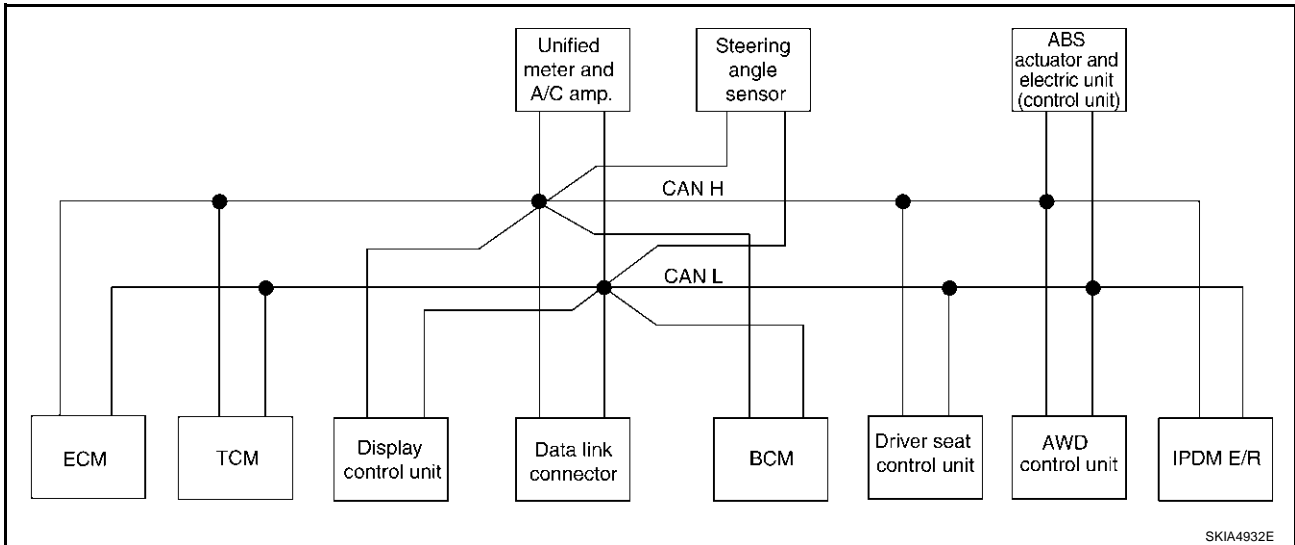


A
B
C
D
E
F
G
H
I
J
K
L
M

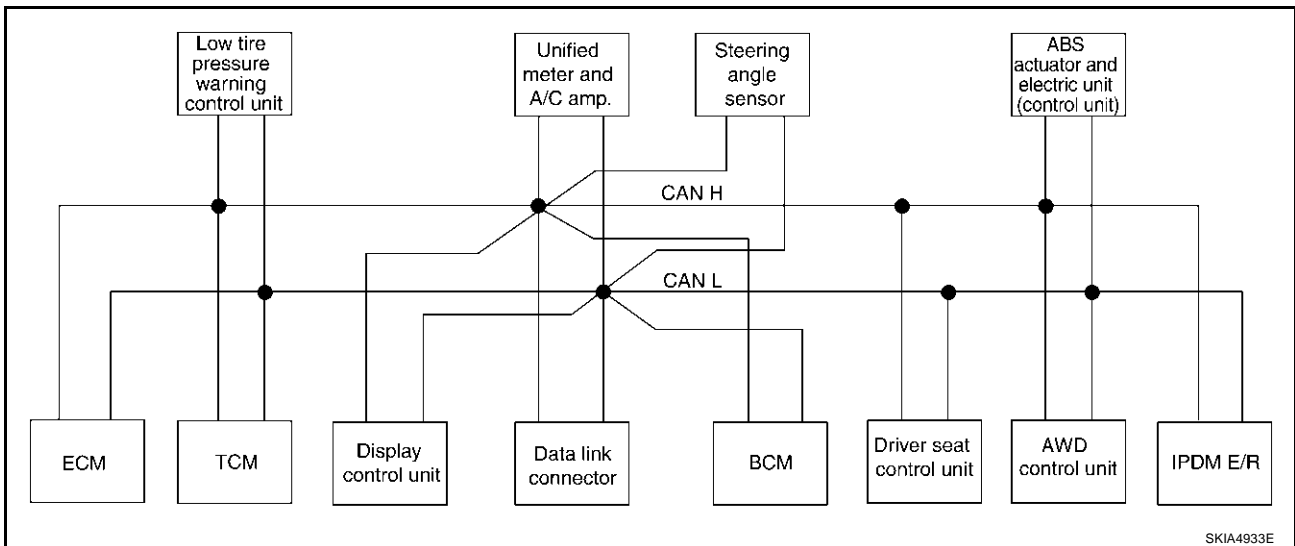
GW

REAR WINDOW DEFOGGER

- Type31



- Type32



REAR WINDOW DEFOGGER

Input/output Signal Chart

T: Transmit R: Receive

Signals	ECM	TCM	Low tire pressure warning control unit	Display unit	Display control unit	BCM	Unified meter and A/C amp.	Steering angle sensor	Driver seat control unit	AWD control unit	ABS actuator and electric unit (control unit)	IPDM E/R
Engine and CVT integrated control signal	T	R										
	R	T										
Second position signal		R					T					
VDC operation signal		R								R	T	
Stop lamp switch signal		R					T			R		
Key switch signal						T			R			
Ignition switch signal						T			R			R
P range signal		T							R		R	
Closed throttle position signal	T	R										
Wide open throttle position signal	T	R										
Second position indicator signal		T					R				R	
Engine speed signal	T	R			R	R	R			R	R	
Engine status signal	T					R						
Engine coolant temperature signal	T						R					
Accelerator pedal position signal	T	R								R	R	
Fuel consumption monitor signal	T						R					
CVT self-diagnosis signal	R	T										
Input shaft revolution signal	R	T									R	
Output shaft revolution signal	R	T									R	
Air conditioner switch signal	R					T						
A/C compressor request signal	T											R
A/C compressor feedback signal	T						R					T
Blower fan motor switch signal	R					T						
A/C control signal				T	T		R					
				R	R		T					
Cooling fan speed request signal	T											R
Position lights request signal						T	R					R
Low beam request signal						T						R
Low beam status signal	R											T
High beam request signal						T	R					R
High beam status signal	R											T
Front fog lights request signal						T						R
Vehicle speed signal		R					R			R	T	
	R		R		R	R	T		R			
Sleep request 1 signal						T	R					
Sleep request 2 signal						T						R

A

B

C

D

E

F

G

H

GW

J

K

L

M

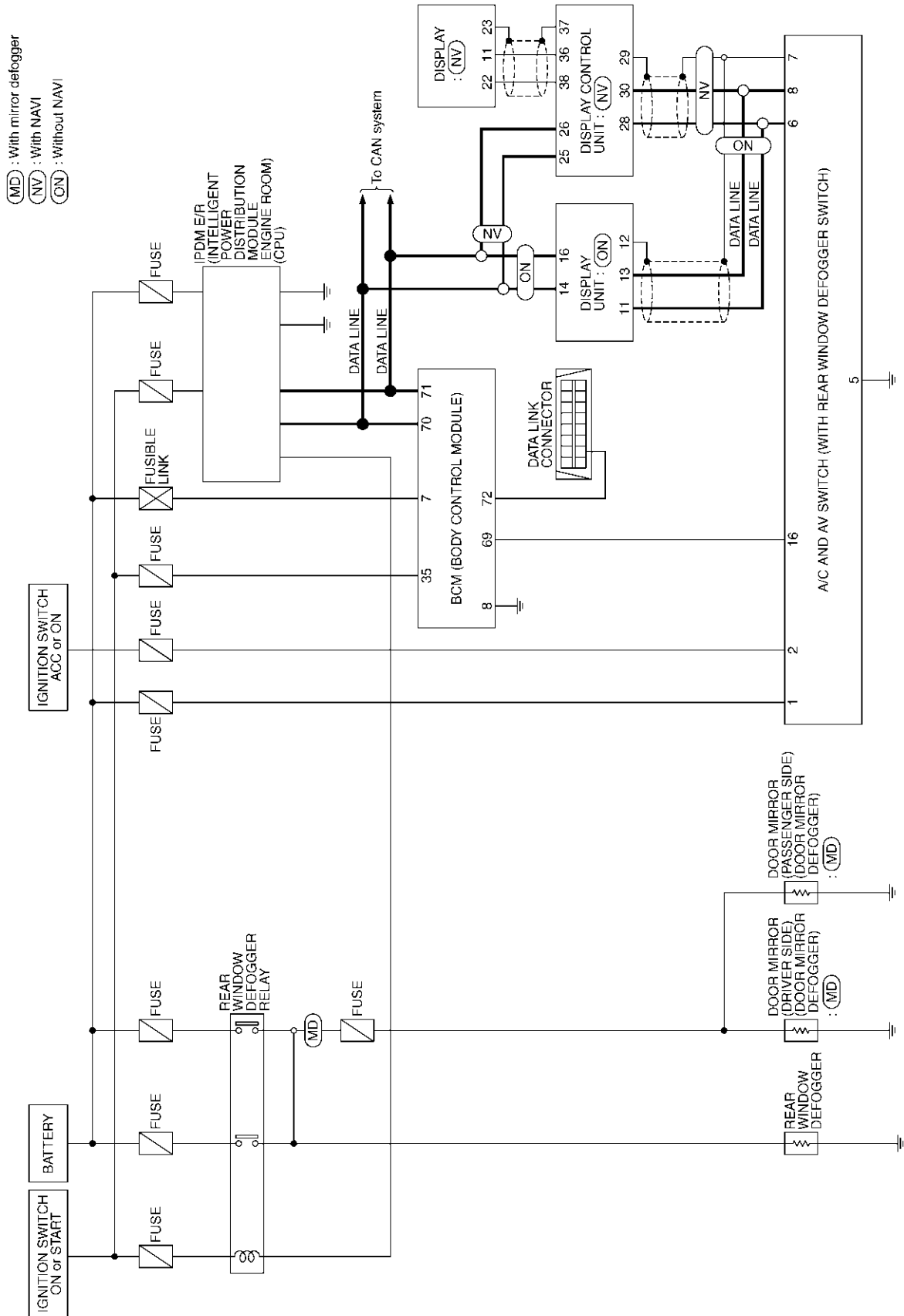
REAR WINDOW DEFOGGER

Signals	ECM	TCM	Low tire pressure warning control unit	Display unit	Display control unit	BCM	Unified meter and A/C amp.	Steering angle sensor	Driver seat control unit	AWD control unit	ABS actuator and electric unit (control unit)	IPDM E/R
Door switch signal						R	T					
Turn indicator signal				R	R	T	R		R			R
Key fob ID signal						T			R			
Key fob door unlock signal						T			R			
Seat belt buckle switch signal						R	T					
Oil pressure switch signal						R						T
Buzzer output signal						T	R					
Fuel level sensor signal	R						T					
Fuel level low warning signal				R	R		T					
Malfunction indicator signal	T						R					
ASCD SET lamp signal	T						R					
ASCD CRUISE lamp signal	T						R					
Front wiper request signal						T						R
Front wiper stop position signal						R						T
Rear window defogger switch signal						T						R
Rear window defogger control signal	R			R	R							T
Hood switch signal						R						T
Theft warning horn request signal						T						R
Horn chirp signal						T						R
Steering angle sensor signal								T			R	
Tire pressure signal			T				R					
Tire pressure data signal			T	R	R							
CVT position indicator signal		T					R				R	
ABS warning lamp signal							R				T	
VDC OFF indicator lamp signal							R				T	
SLIP indicator lamp signal							R				T	
Brake warning lamp signal							R				T	
System setting signal				T	T				R			
AWD warning lamp signal							R			T		
AWD lock indicator lamp signal							R			T		
AWD lock switch signal							T			R		
Parking brake switch signal						R	T			R		

REAR WINDOW DEFOGGER

Schematic – DEF –

AI50021E



A
B
C
D
E
F
G
H
GW
J
K
L
M

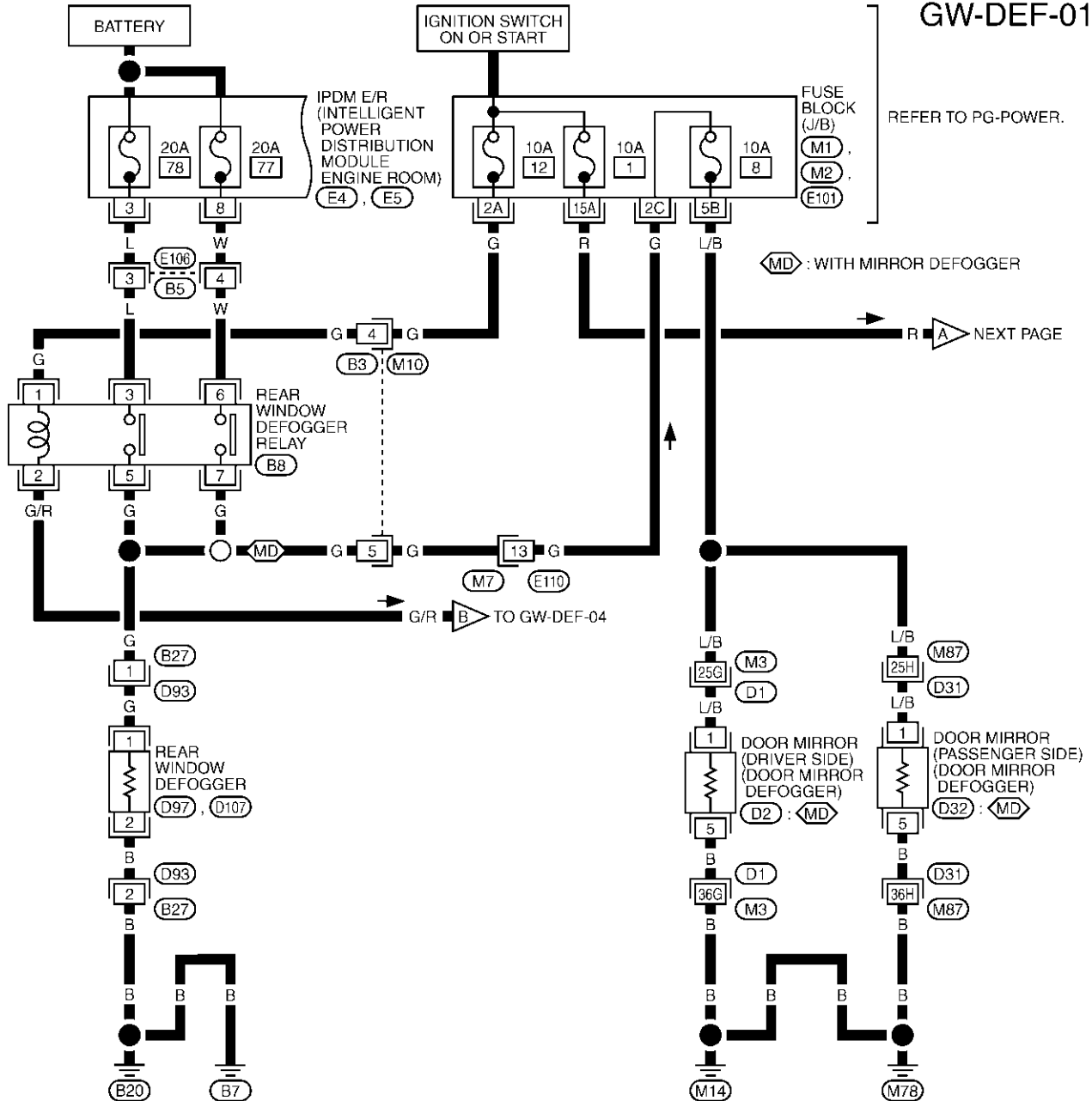
TIWA0292E

REAR WINDOW DEFOGGER

AI50021F

Wiring Diagram -DEF-

GW-DEF-01

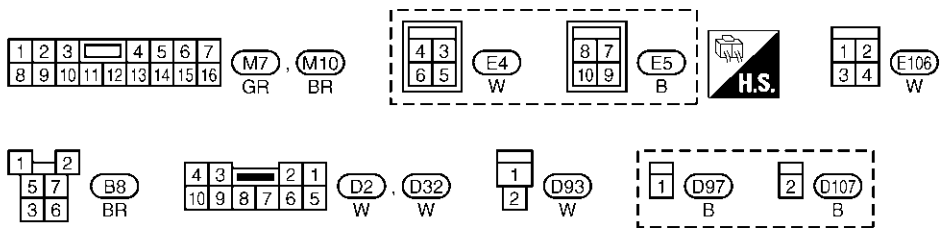


REFER TO PG-POWER.

MD : WITH MIRROR DEFOGGER

▶ NEXT PAGE

▶ TO GW-DEF-04



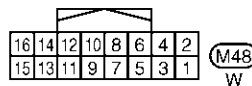
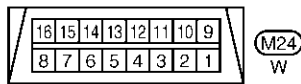
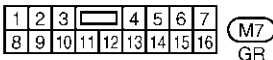
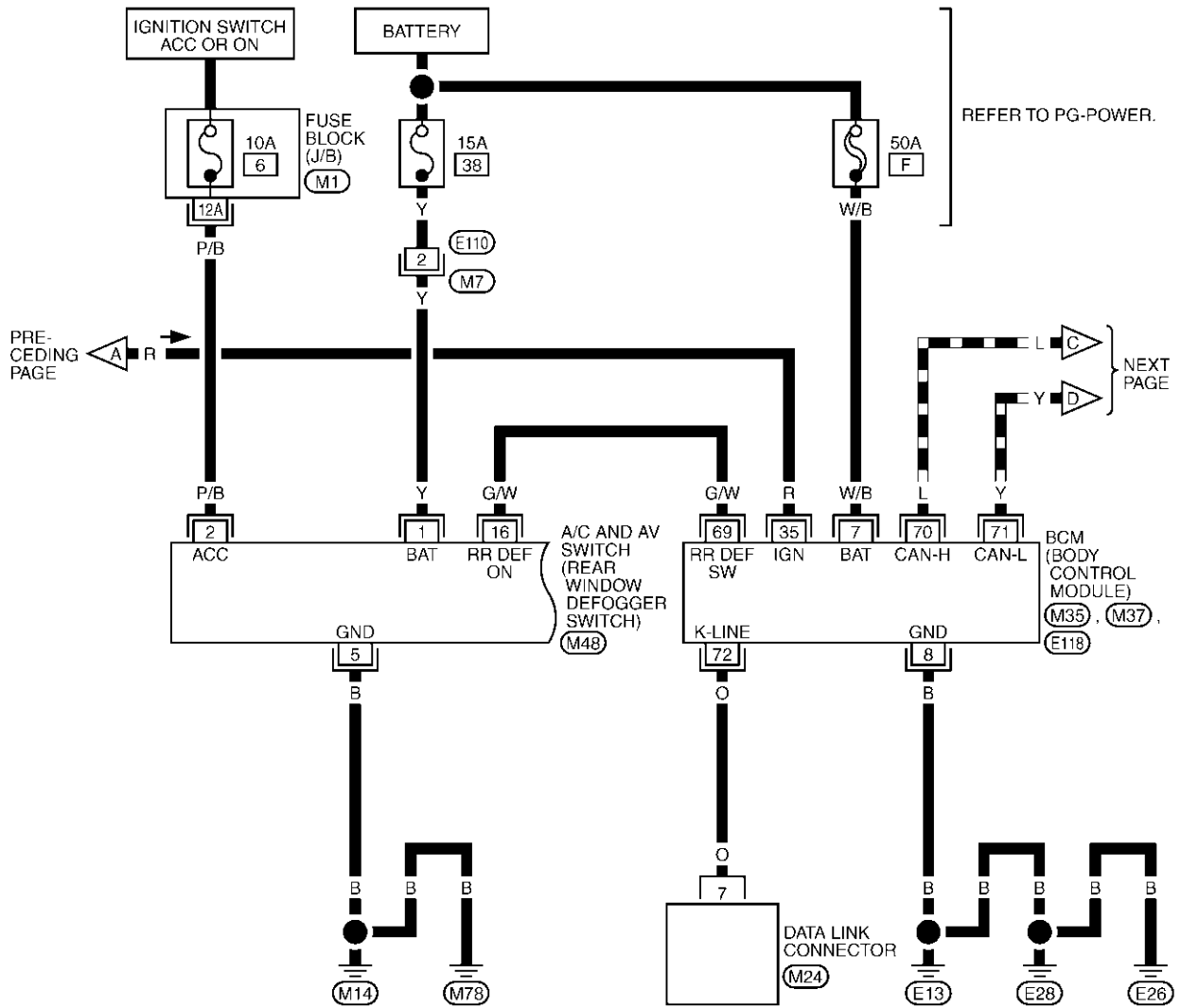
REFER TO THE FOLLOWING.
 (D1), (D31) -SUPER MULTIPLE JUNCTION (SMJ)
 (M1), (M2), (E101) -FUSE BLOCK-JUNCTION BOX (J/B)

TIWA0293E

REAR WINDOW DEFOGGER

GW-DEF-02

▬ : DATA LINE



REFER TO THE FOLLOWING.

(M1) - FUSE BLOCK-JUNCTION BOX (J/B)

(M35), (M37), (E118) - ELECTRICAL UNITS

TIWA0294E

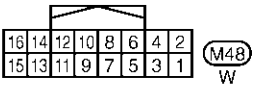
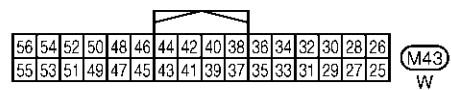
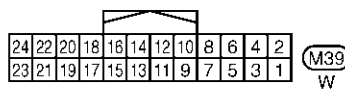
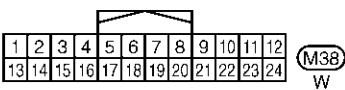
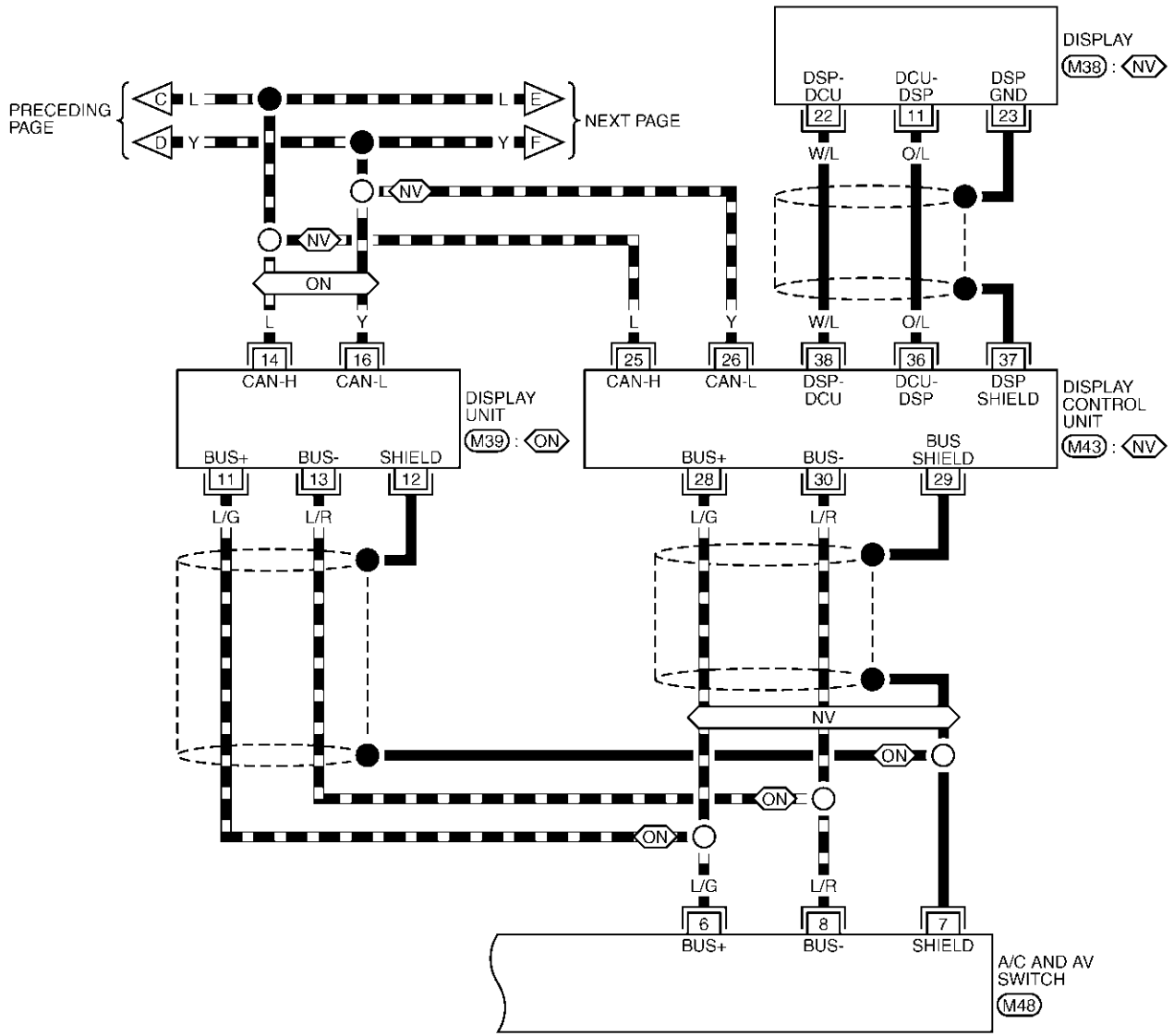
REAR WINDOW DEFOGGER

GW-DEF-03

— : DATA LINE

◁ NV ▷ : WITH NAVI

◁ ON ▷ : WITHOUT NAVI

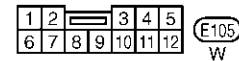
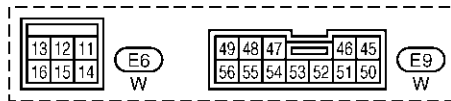
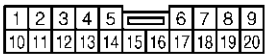
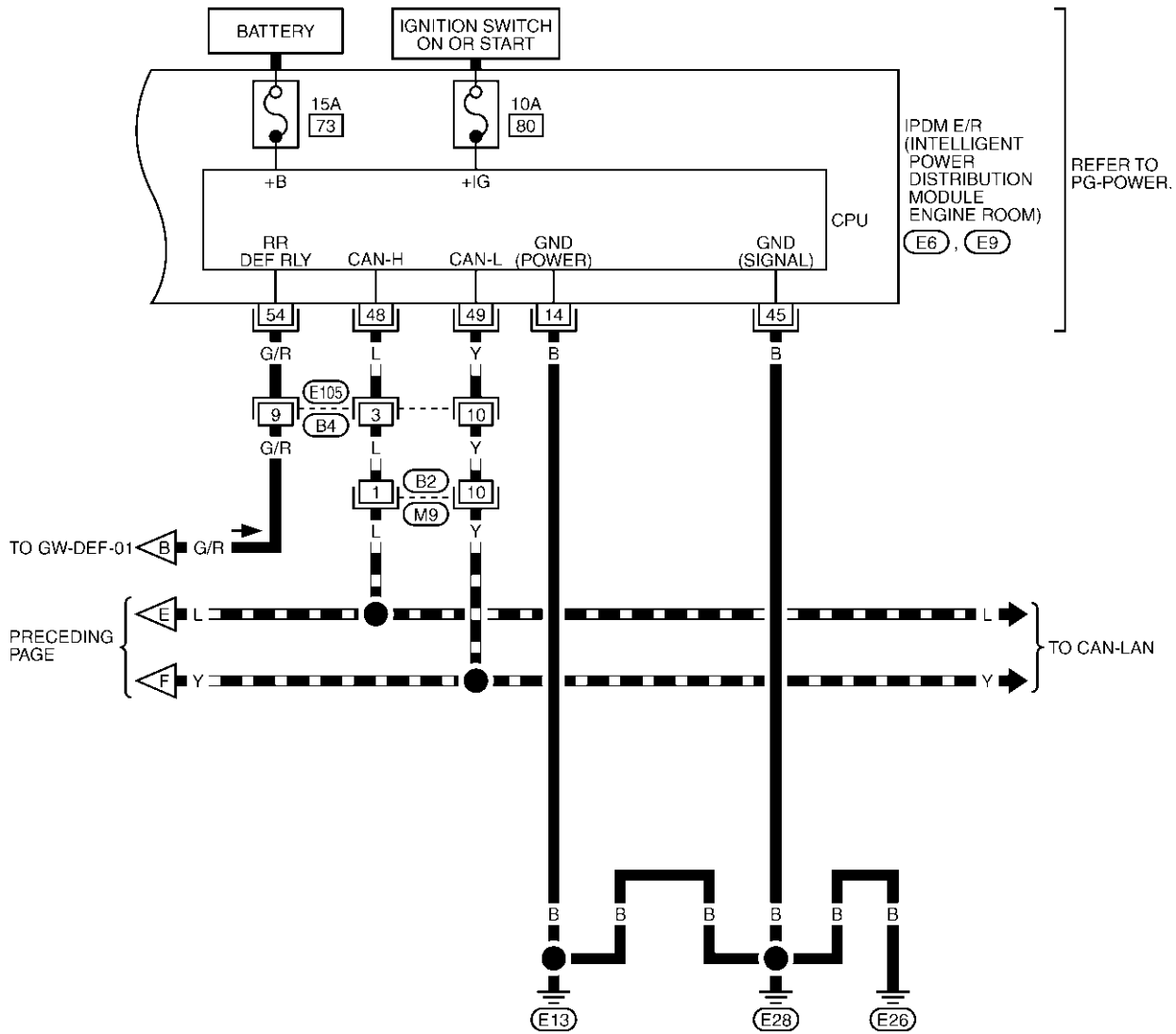


TIWA0323E

REAR WINDOW DEFOGGER

GW-DEF-04

▬ : DATA LINE



TIWA0295E

REAR WINDOW DEFOGGER

Terminal and Reference Value for BCM

AIS002IG

Terminal	Wire color	Item	Condition	Voltage (V) (Approx.)
7	W/B	Battery power supply	—	Battery voltage
8	B	Ground	—	0
35	R	Ignition switch ON or START	Ignition switch (ON or START position)	Battery voltage
69	G/W	Rear window defogger switch signal	When rear window defogger switch is pressed.	0
			When rear window defogger switch is OFF.	5
70	L	CAN H	—	—
71	Y	CAN L	—	—
72	O	K-Line	—	—

Terminal and Reference Value for IPDM E/R

AIS002IH

Terminal	Wire color	Item	Condition	Voltage (V) (Approx.)
3	L	Battery power supply	—	Battery voltage
8	W	Battery power supply	—	Battery voltage
14	B	Ground (Power)	—	0
45	B	Ground (Signal)	—	0
48	L	CAN H	—	—
49	Y	CAN L	—	—
54	G/R	Rear window defogger relay control signal	When rear window defogger switch is ON.	0
			When rear window defogger switch is OFF.	Battery voltage

Work Flow

AIS002II

1. Check the symptom and customer's requests.
2. Understand the outline of system. Refer to [GW-65, "System Description"](#) .
3. According to the trouble diagnosis chart, repair or replace the cause of the malfunction. Refer to [GW-97, "Trouble Diagnoses Symptom Chart"](#) .
4. Does rear window defogger operate normally? YES: GO TO 5, NO: GO TO 3.
5. INSPECTION END.

REAR WINDOW DEFOGGER

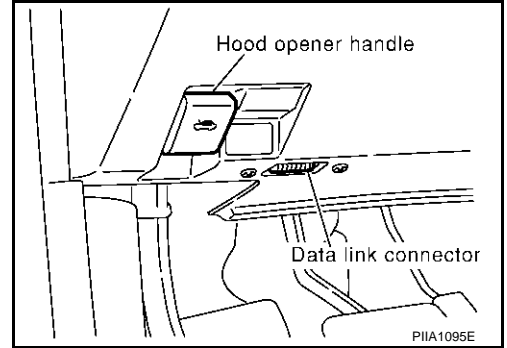
CONSULT-II Inspection Procedure

AIS003KV

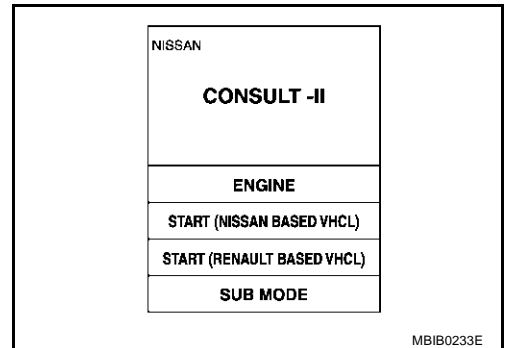
CAUTION:

If CONSULT-II is used with no connection of CONSULT-II CONVERTER, malfunctions might be detected in self-diagnosis depending on control unit which carry out CAN communication.

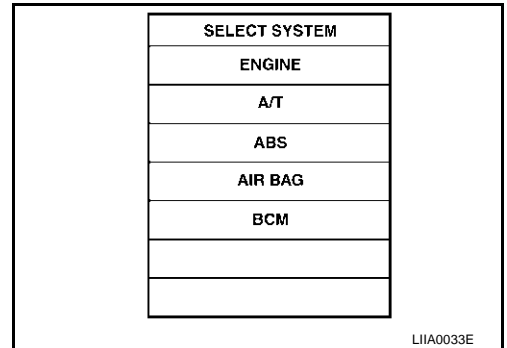
1. Turn ignition switch "OFF".
2. Connect "CONSULT-II" and CONSULT-II CONVERTER to data link connector.



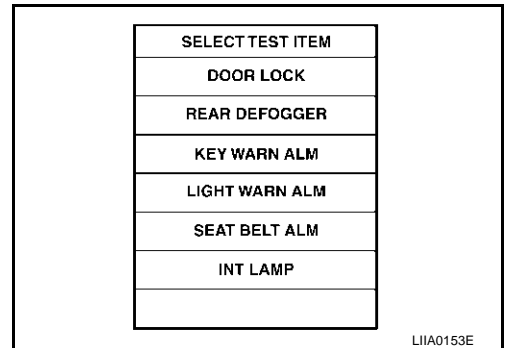
3. Turn ignition switch "ON".
4. Touch "START (NISSAN BASED VHCL)".



5. Touch "BCM".
If "BCM" is not indicated, go to [GI-38](#), "CONSULT-II Data Link Connector (DLC) Circuit"



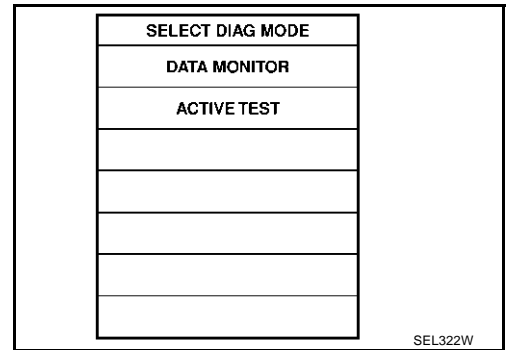
6. Touch "REAR DEFOGGER".



A
B
C
D
E
F
G
H
GW
J
K
L
M

REAR WINDOW DEFOGGER

7. Select diagnosis mode, "DATA MONITOR" and "ACTIVE TEST".



DATA MONITOR

Display Item List

Monitor item "Operation"		Content
REAR DEF SW	"ON/OFF"	Displays "Press (ON)/others (OFF)" status determined with the rear window defogger switch.
IGN ON SW	"ON/OFF"	Displays "IGN (ON)/OFF" status determined with the ignition switch signal.

ACTIVE TEST

Display Item List

Test item	Content
REAR DEFOGGER	Gives a drive signal to the rear window defogger relay to activate it.

REAR WINDOW DEFOGGER

Trouble Diagnoses Symptom Chart

AI5002IK

Make sure other systems using the signal of the following systems operate normally.

Symptom	Diagnoses / Service procedure	Refer to page
Rear window defogger and door mirror defogger do not operate. (With door mirror defogger)	1. BCM power supply and ground circuit check	GW-98
	2. IPDM E/R auto active test check	PG-41
	3. Rear window defogger switch circuit check	GW-99
	4. Rear window defogger power supply circuit check	GW-100
	5. Replace IPDM E/ R	PG-46
Rear window defogger does not operate. (Without door mirror defogger)	1. BCM power supply and ground circuit check	GW-98
	2. IPDM E/R auto active test check	PG-41
	3. Rear window defogger switch circuit check	GW-99
	4. Rear window defogger power supply circuit check	GW-100
	5. Rear window defogger circuit check	GW-102
	6. Filament check	GW-108
	7. Replace IPDM E/ R	PG-46
Rear window defogger does not operate but both of door mirror defogger operate.(With door mirror defogger)	1. Rear window defogger circuit check	GW-102
	2. Filament check	GW-108
Door mirror defogger does not operated but both of rear window defogger operate. (With door mirror defogger)	1. Door mirror defogger power supply circuit check	GW-103
Driver side door mirror defogger does not operate.	1. Driver side door mirror defogger circuit check	GW-105
Passenger side door mirror defogger does not operate.	1. Passenger side door mirror defogger circuit check	GW-106
Rear window defogger switch does not light, and rear window defogger is not displayed on the display. But rear window defogger operates.	1. Rear window defogger signal check	GW-107

A
B
C
D
E
F
G
H
J
K
L
M

GW

REAR WINDOW DEFOGGER

AIS0034Z

BCM Power Supply and Ground Circuit Check

1. CHECK FUSE

- Check 10A fuse [No.1, located in fuse block (J/B)]
- Check 50A fusible link (letter **F** located in the fuse and fusible link box)

NOTE:

Refer to [GW-65, "Component Parts and Harness Connector Location"](#) .

OK or NG

OK >> GO TO 2.

NG >> If fuse is blown, be sure to eliminate cause of malfunction before installing new fuse. Refer to [PG-3, "POWER SUPPLY ROUTING CIRCUIT"](#)

2. CHECK POWER SUPPLY CIRCUIT

1. Turn ignition switch ON.
2. Check voltage between BCM connector M35, E118 terminal 7, 35 and ground.

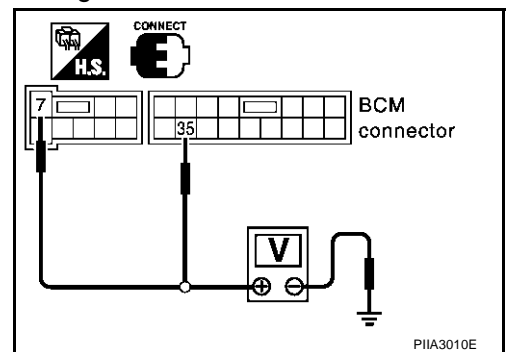
7 (W/B) – Ground :Battery voltage

35 (R) – Ground :Battery voltage

OK or NG

OK >> GO TO 3.

NG >> Check BCM power supply circuit for open or short.



3. CHECK GROUND CIRCUIT

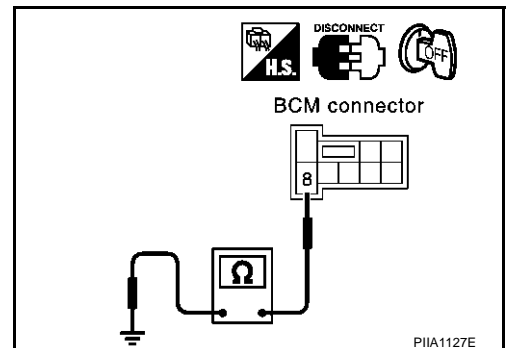
1. Turn ignition switch OFF.
2. Disconnect BCM connector.
3. Check continuity between BCM connector E118 terminal 8 and ground.

8 (B) – Ground : Continuity should exist.

OK or NG

OK >> BCM power supply and ground circuit is OK.

NG >> Check BCM ground circuit for open or short.



REAR WINDOW DEFOGGER

Rear Window Defogger Switch Circuit Check

AI5002JL

1. CHECK REAR WINDOW DEFOGGER SWITCH OPERATION

With CONSULT-II

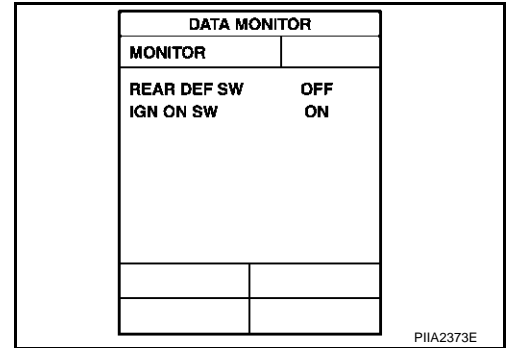
Check ("REAR DEF SW", "IGN ON SW") in DATA MONITOR mode with CONSULT-II.

When rear window defogger switch is turned to ON

REAR DEF SW : ON

When ignition switch is turned to ON

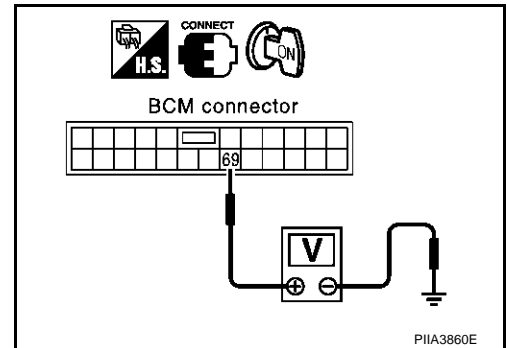
IGN ON SW : ON



With out CONSULT-II

- Turn ignition switch ON.
- Check voltage between BCM connector ground.

Connector	Terminal (Wire color)		Condition	Voltage (V) (Approx.)
	(+)	(-)		
M37	69 (G/W)	Ground	Rear window defogger switch is pressed.	0
			Rear window defogger switch is OFF.	5



OK or NG

- OK >> Rear window defogger switch check is OK.
 NG >> GO TO 2.

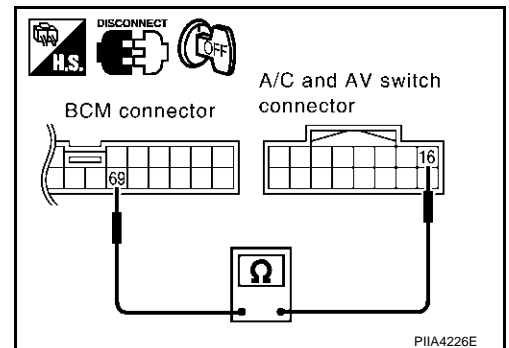
2. CHECK HARNESS CONTINUITY

- Turn ignition switch OFF.
- Disconnect BCM and A/C and AV switch connector.
- Check continuity between BCM connector M37 terminal 69 and A/C and AV switch connector M48 terminal 16.

69 (G/W) – 16(G/W) : Continuity should exist.

OK or NG

- OK >> GO TO 3.
 NG >> Repair or replace harness between BCM and A/C and AV switch.



REAR WINDOW DEFOGGER

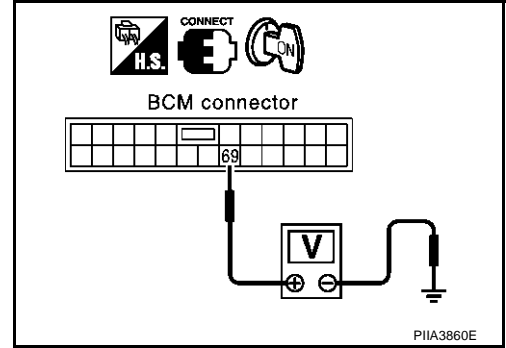
3. CHECK BCM OUTPUT SIGNAL

1. Connect BCM connector.
2. Turn ignition switch ON.
3. Check voltage between BCM connector M37 terminal 69 and ground.

69 (G/W) – Ground : Approx. 5

OK or NG

- OK >> Replace A/C and AV switch.
 NG >> Replace BCM.



Rear Window Defogger Power Supply Circuit Check

AIS002IM

1. CHECK FUSE

- Check 10A fuse [No.12, located in the fuse block (J/B)]
- Check 20A fuse (No.77, located in the IPDM E/R)
- Check 20A fuse (No.78, located in the IPDM E/R)

NOTE:

Refer to [GW-65, "Component Parts and Harness Connector Location"](#).

OK or NG

- OK >> GO TO 2.
 NG >> If fuse is blown, be sure to eliminate cause of malfunction before installing new fuse, refer to [PG-3, "POWER SUPPLY ROUTING CIRCUIT"](#).

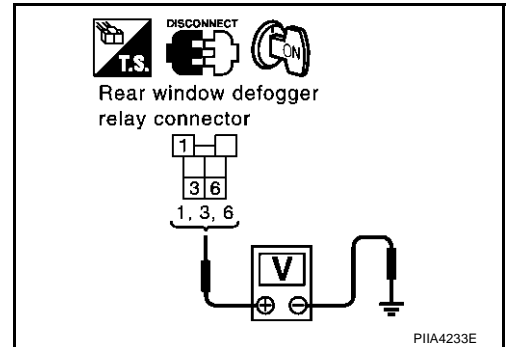
2. CHECK POWER SUPPLY CIRCUIT

1. Turn ignition switch OFF.
2. Disconnect rear window defogger relay.
3. Turn ignition switch ON.
4. Check voltage between rear window defogger relay connector and ground.

Connector	Terminals (Wire color)		Voltage (V) (Approx.)
	(+)	(-)	
B8	1 (G)	Ground	Battery voltage
	3 (L)		
	6 (W)		

OK or NG

- OK >> GO TO 3.
 NG >> Repair or replace harness between fuse block (J/B) and rear window defogger relay.

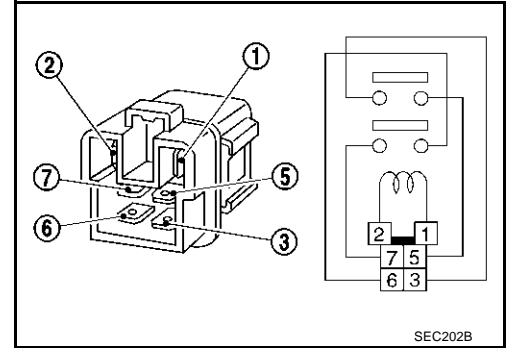


REAR WINDOW DEFOGGER

3. CHECK REAR WINDOW DEFOGGER RELAY

Check continuity between rear window defogger terminals 3 and 5, 6 and 7.

Terminal	Condition	Continuity
3	12V direct current supply between terminals 1 and 2	Yes
	No current supply	No
6	12V direct current supply between terminals 1 and 2	Yes
	No current supply	No



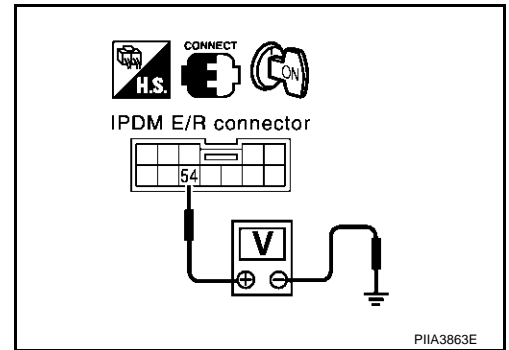
OK or NG

- OK >> GO TO 4.
- NG >> Replace rear window defogger relay.

4. CHECK GROUND CIRCUIT

1. Installation rear window defogger relay.
2. Turn ignition switch ON.
3. Check voltage between IPDM E/R connector and ground.

Connector	Terminals (Wire color)		Condition	Voltage (V) (Approx.)
	(+)	(-)		
E9	54 (G/R)	Ground	When rear window defogger switch ON	0
			When rear window defogger switch OFF	Battery voltage



OK or NG

- OK >> Rear window defogger power supply circuit check is OK.
- NG >> GO TO 5.

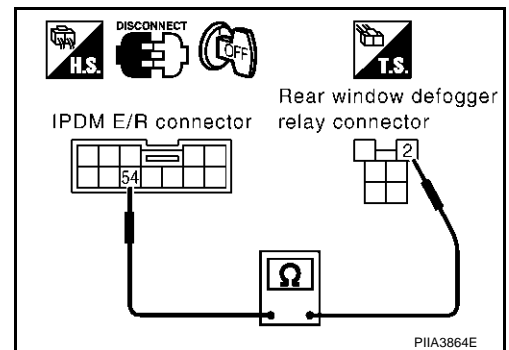
5. CHECK HARNESS CONTINUITY

1. Turn ignition switch OFF.
2. Disconnect IPDM E/R connector and rear window defogger relay.
3. Check continuity between IPDM E/R connector E9 terminal 54 and rear window defogger relay connector B8 terminal 2.

54 (G/R) – 2 (G/R) : Continuity should exist.

OK or NG

- OK >> GO TO 6.
- NG >> Repair or replace harness between IPDM E/R and rear window defogger relay.



REAR WINDOW DEFOGGER

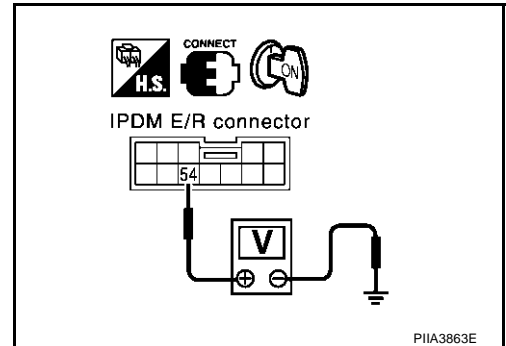
6. CHECK REAR WINDOW DEFOGGER RELAY OUTPUT SIGNAL

1. Connect IPDM E/R and rear window defogger relay.
2. Turn ignition switch ON.
3. Check voltage between IPDM E/R connector E9 terminal 54 and ground.

54 (G/R) – Ground :Battery voltage

OK or NG

- OK >> Replace IPDM E/R.
 NG >> Check the condition of the harness and the connector.



Rear Window Defogger Circuit Check

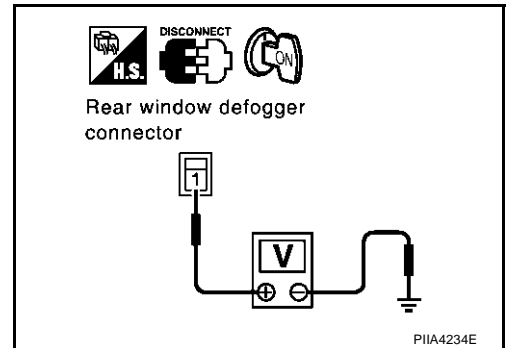
1. CHECK POWER SUPPLY CIRCUIT

1. Turn ignition switch OFF.
2. Disconnect rear window defogger connector.
3. Turn ignition switch ON.
4. Check voltage between rear window defogger connector and ground.

Connector	Terminal (Wire color)		Condition	Voltage (V) (Approx.)
	(+)	(-)		
D97	1(G)	Ground	Rear window defogger switch ON.	Battery voltage
			Rear window defogger switch OFF.	0

OK or NG

- OK >> GO TO 2.
 NG >> GO TO 3.



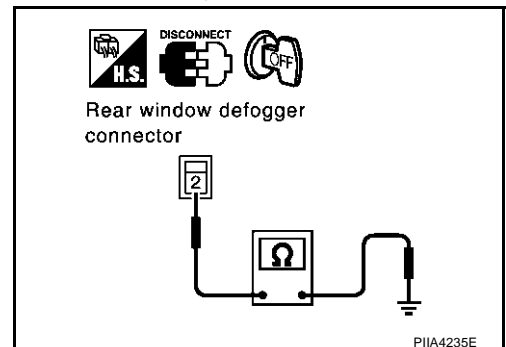
2. CHECK GROUND CIRCUIT

1. Turn ignition switch OFF.
2. Check continuity between rear window defogger connector D107 terminal 2 and ground.

2 (B) – Ground : Continuity should exist.

OK or NG

- OK >> Check filament. Refer to [GW-108, "Filament Check"](#)
- If filament is OK. Check the condition of the harness and the connector.
 - If filament is NG. Repair filament.
- NG >> Repair or replace harness between rear window defogger and ground.



REAR WINDOW DEFOGGER

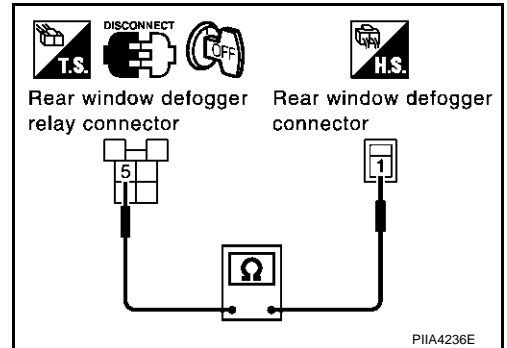
3. CHECK HARNESS CONTINUITY

1. Turn ignition switch OFF.
2. Disconnect rear window defogger relay.
3. Check continuity between rear window defogger relay connector B8 terminal 5 and rear window defogger connector D97 terminal 1.

5 (G) – 1 (G) : Continuity should exist.

OK or NG

- OK >> Check the condition of the harness and the connector.
 NG >> Repair or replace harness rear window defogger relay and rear window defogger. When there is malfunction inside back door, replace the back door.



Door Mirror Defogger Power Supply Circuit Check

1. CHECK FUSE

- Check 10A fuse [No.8, located in the fuse block (J/B)]

NOTE:

Refer to [GW-65, "Component Parts and Harness Connector Location"](#).

OK or NG

- OK >> GO TO 2.
 NG >> If fuse is blown, be sure to eliminate cause of malfunction before installing new fuse. Refer to [PG-3, "POWER SUPPLY ROUTING CIRCUIT"](#).

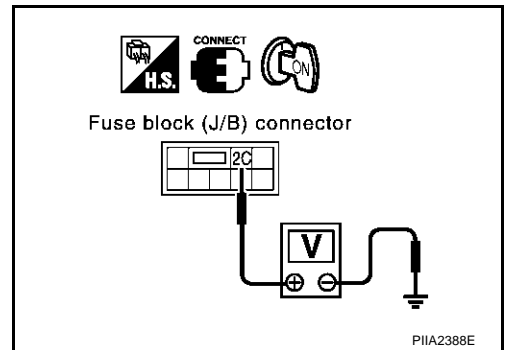
2. CHECK POWER SUPPLY CIRCUIT 1

1. Turn ignition switch ON.
2. Check voltage between fuse block (J/B) connector and ground.

Connector	Terminal (Wire color)		Condition	Voltage (V) (Approx.)
	(+)	(-)		
E101	2C (G)	Ground	Rear window defogger switch ON	Battery voltage
			Rear window defogger switch OFF	0

OK or NG

- OK >> GO TO 3.
 NG >> Repair or replace harness between rear window defogger relay and fuse block (J/B).



REAR WINDOW DEFOGGER

3. CHECK POWER SUPPLY CIRCUIT 2

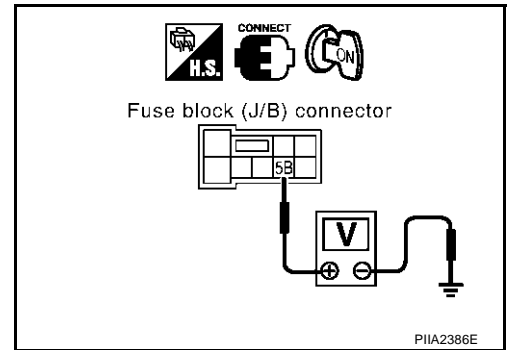
Check voltage between fuse block (J/B) connector and ground.

Connector	Terminal (Wire color)		Condition	Voltage (V) (Approx.)
	(+)	(-)		
M5	5B (L)	Ground	Rear window defogger switch ON	Battery voltage
			Rear window defogger switch OFF	0

OK or NG

OK >> GO TO 4.

NG >> Replace fuse block (J/B).



4. CHECK HARNESS CONTINUITY

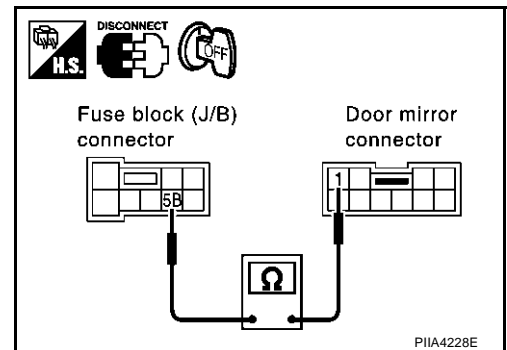
1. Turn ignition switch OFF.
2. Disconnect fuse block (J/B) and door mirror connector.
3. Check continuity between fuse block (J/B) connector M5 terminal 5B and door mirror connector D2 (driver side) or D32 (passenger side) terminal 1.

5B (B) – 1 (B) : Continuity should exist.

OK or NG

OK >> GO TO 5.

NG >> Repair or replace harness between fuse block (J/B) and malfunction door mirror connector.



5. CHECK GROUND CIRCUIT

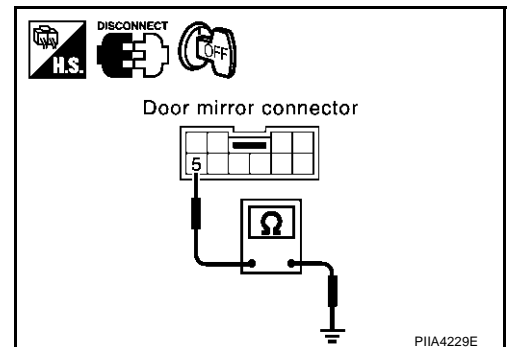
Check continuity between each door mirror connector D2 (driver side), D32 (passenger side) terminal 5 and ground.

5 (B) – Ground : Continuity should exist.

OK or NG

OK >> GO TO 6.

NG >> Repair or replace harness.



REAR WINDOW DEFOGGER

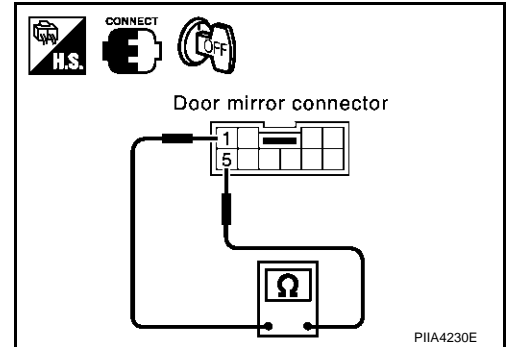
6. CHECK DOOR MIRROR DEFOGGER

1. Connector door mirror connector.
2. Check continuity between each door mirror connector D2 (driver side), D32 (passenger side) terminals 1 and 5.

1 (L/B) – 5 (L/B) : Continuity should exist.

OK or NG

- OK >> Check the condition of the harness and the connector.
 NG >> Replace malfunctioning door mirror.



Driver Side Door Mirror Defogger Circuit Check

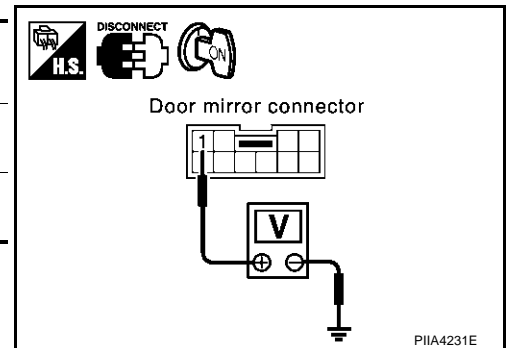
1. CHECK POWER SUPPLY CIRCUIT

1. Turn ignition switch OFF.
2. Disconnect door mirror (driver side) connector.
3. Turn ignition switch ON.
4. Check voltage between door mirror (driver side) connector and ground.

Connector	Terminal (Wire color)		Condition	Voltage (V) (Approx.)
	(+)	(-)		
D2	1 (L/B)	Ground	Rear window defogger switch ON	Battery voltage
			Rear window defogger switch OFF	0

OK or NG

- OK >> GO TO 2.
 NG >> Repair or replace harness between fuse block (J/B) and door mirror (driver side).



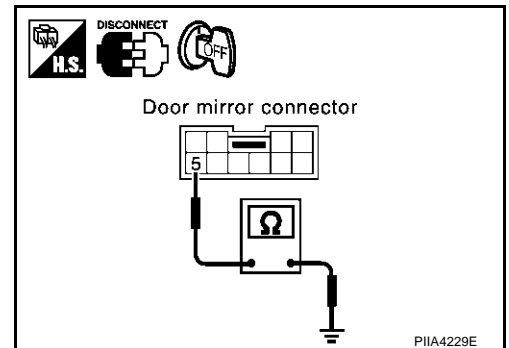
2. CHECK GROUND CIRCUIT

1. Turn ignition switch OFF.
2. Check continuity between door mirror (driver side) connector D2 terminal 5 and ground.

5 (B) – Ground : Continuity should exist.

OK or NG

- OK >> GO TO 3.
 NG >> Repair or replace harness between door mirror (driver side) and ground.



REAR WINDOW DEFOGGER

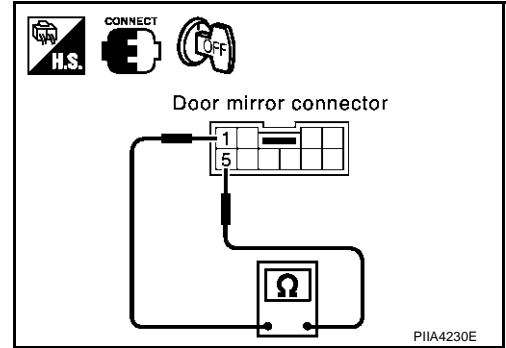
3. CHECK DOOR MIRROR DEFOGGER

1. Connector door mirror connector.
2. Check continuity between each door mirror connector D2 (driver side) terminals 1 and 5.

1 (L/B) – 5 (L/B) : Continuity should exist.

OK or NG

- OK >> Check the condition of the harness and the connector.
 NG >> Replace door mirror (driver side).



Passenger Side Door Mirror Defogger Circuit Check

AIS0021Q

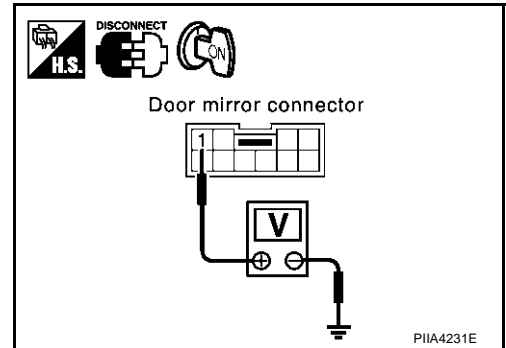
1. CHECK POWER SUPPLY CIRCUIT

1. Turn ignition switch OFF.
2. Disconnect door mirror (passenger side) connector.
3. Turn ignition switch ON.
4. Check voltage between door mirror (passenger side) connector and ground.

Connector	Terminal (Wire color)		Condition	Voltage (V) (Approx.)
	(+)	(-)		
D32	1 (L/B)	Ground	Rear window defogger switch ON	Battery voltage
			Rear window defogger switch OFF	0

OK or NG

- OK >> GO TO 2.
 NG >> Repair or replace harness between fuse block (J/B) and door mirror (passenger side).



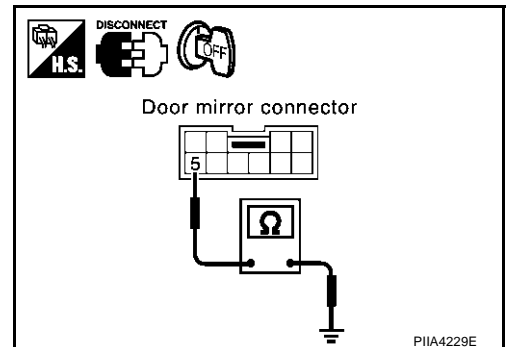
2. CHECK GROUND CIRCUIT

1. Turn ignition switch OFF.
2. Check continuity between door mirror (passenger side) connector D32 terminal 5 and ground.

5 (B) – Ground : Continuity should exist.

OK or NG

- OK >> GO TO 3.
 NG >> Repair or replace harness between door mirror (passenger side) and ground.



REAR WINDOW DEFOGGER

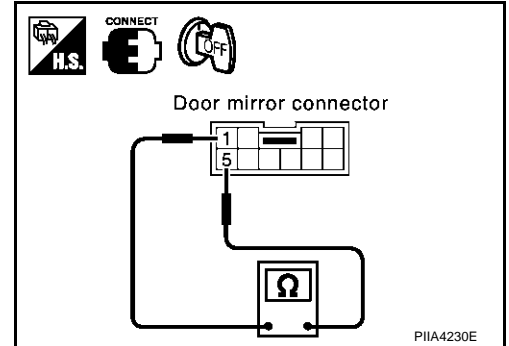
3. CHECK DOOR MIRROR DEFOGGER

1. Connector door mirror connector.
2. Check continuity between each door mirror connector D32 (passenger side) terminals 1 and 5.

1 (L/B) – 5 (L/B) : Continuity should exist.

OK or NG

- OK >> Check the condition of the harness and the connector.
NG >> Replace door mirror (passenger side).



Rear Window Defogger Signal Check

1. CHECK REAR WINDOW DEFOGGER SWITCH LAMP

A/C and AV switch self-diagnosis is executed. Refer to [AV-102, "A/C and AV Switch Self-Diagnosis Function"](#)

Does rear window defogger switch light?

OK or NG

- OK >> GO TO 2.
NG >> Replace A/C and AV switch.

2. CHECK AV COMMUNICATION LINE

AV communication line check is executed. Refer to [AV-109, "AV Communication Line Check"](#)

Is rear window defogger displayed on the display?

OK or NG

- OK >> GO TO 3.
NG >> Replace display control unit.

3. CHECK CAN COMMUNICATION LINE

CAN communication line check is executed. Refer to [AV-110, "CAN Communication Line Check"](#)

OK or NG

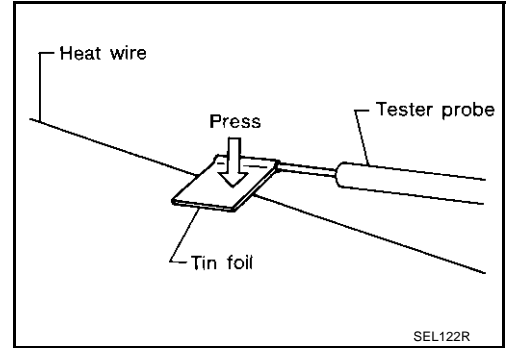
- OK >> Check the condition of the harness and the connector.
NG >> In addition, it is necessary to check CAN communication line. Refer to [AV-110, "CAN Communication Line Check"](#)

REAR WINDOW DEFOGGER

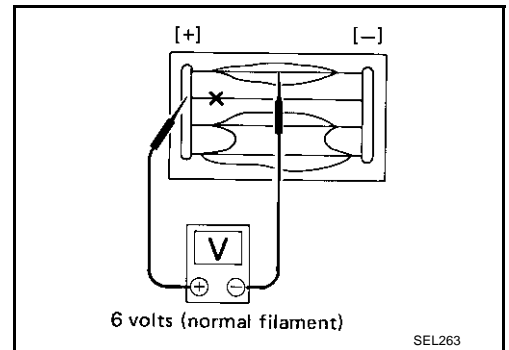
Filament Check

AIS0021R

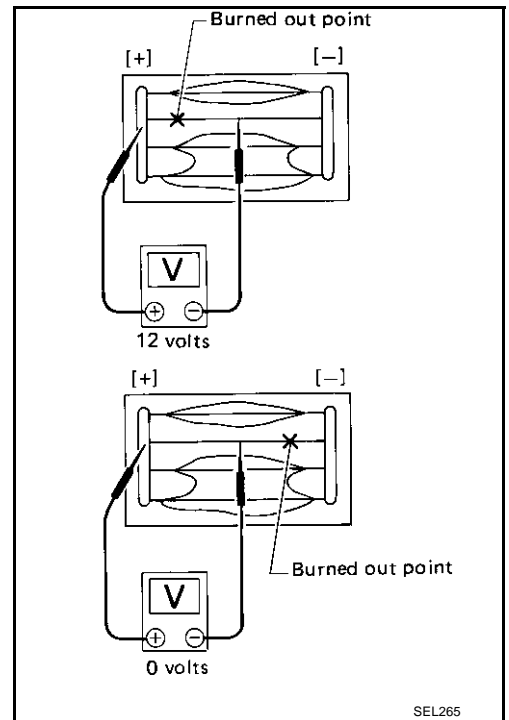
1. When measuring voltage, wrap tin foil around the top of the negative probe. Then press the foil against the wire with your finger.



2. Attach probe circuit tester (in Volt range) to middle portion of each filament.



3. If a filament is burned out, circuit tester registers 0 or battery voltage.
4. To locate burned out point, move probe to left and right along filament. Test needle will swing abruptly when probe passes the point.



Filament Repair REPAIR EQUIPMENT

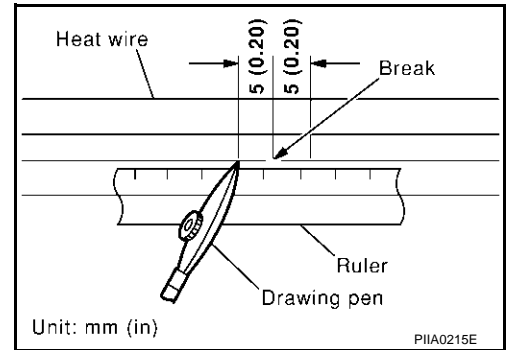
AIS0021S

- Conductive silver composition (Dupont No. 4817 or equivalent)
- Ruler 30 cm (11.8 in) long
- Drawing pen
- Heat gun
- Alcohol
- Cloth

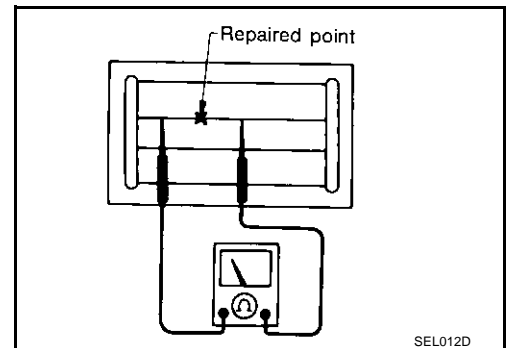
REAR WINDOW DEFOGGER

REPAIRING PROCEDURE

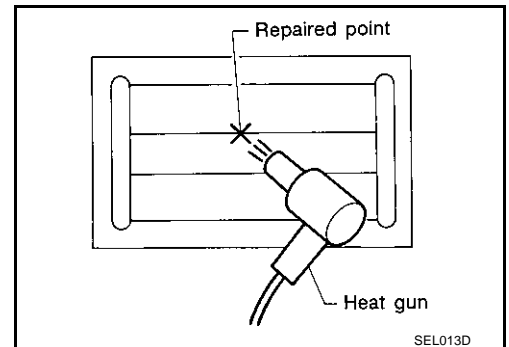
1. Wipe broken heat wire and its surrounding area clean with a cloth dampened in alcohol.
2. Apply a small amount of conductive silver composition to tip of drawing pen. Shake silver composition container before use.
3. Place ruler on glass along broken line. Deposit conductive silver composition on break with drawing pen. Slightly overlap existing heat wire on both sides [preferably 5 mm (0.20 in)] of the break.



4. After repair has been completed, check repaired wire for continuity. This check should be conducted 10 minutes after silver composition is deposited. Do not touch repaired area while test is being conducted.



5. Apply a constant stream of hot air directly to the repaired area for approximately 20 minutes with a heat gun. A minimum distance of 3 cm (1.2 in) should be kept between repaired area and hot air outlet. If a heat gun is not available, let the repaired area dry for 24 hours.



A
B
C
D
E
F
G
H
GW
J
K
L
M

DOOR MIRROR

DOOR MIRROR

PPF:96301

Automatic Drive Positioner Interlocking Door Mirror

AIS00313

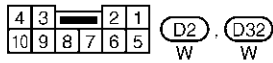
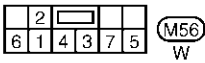
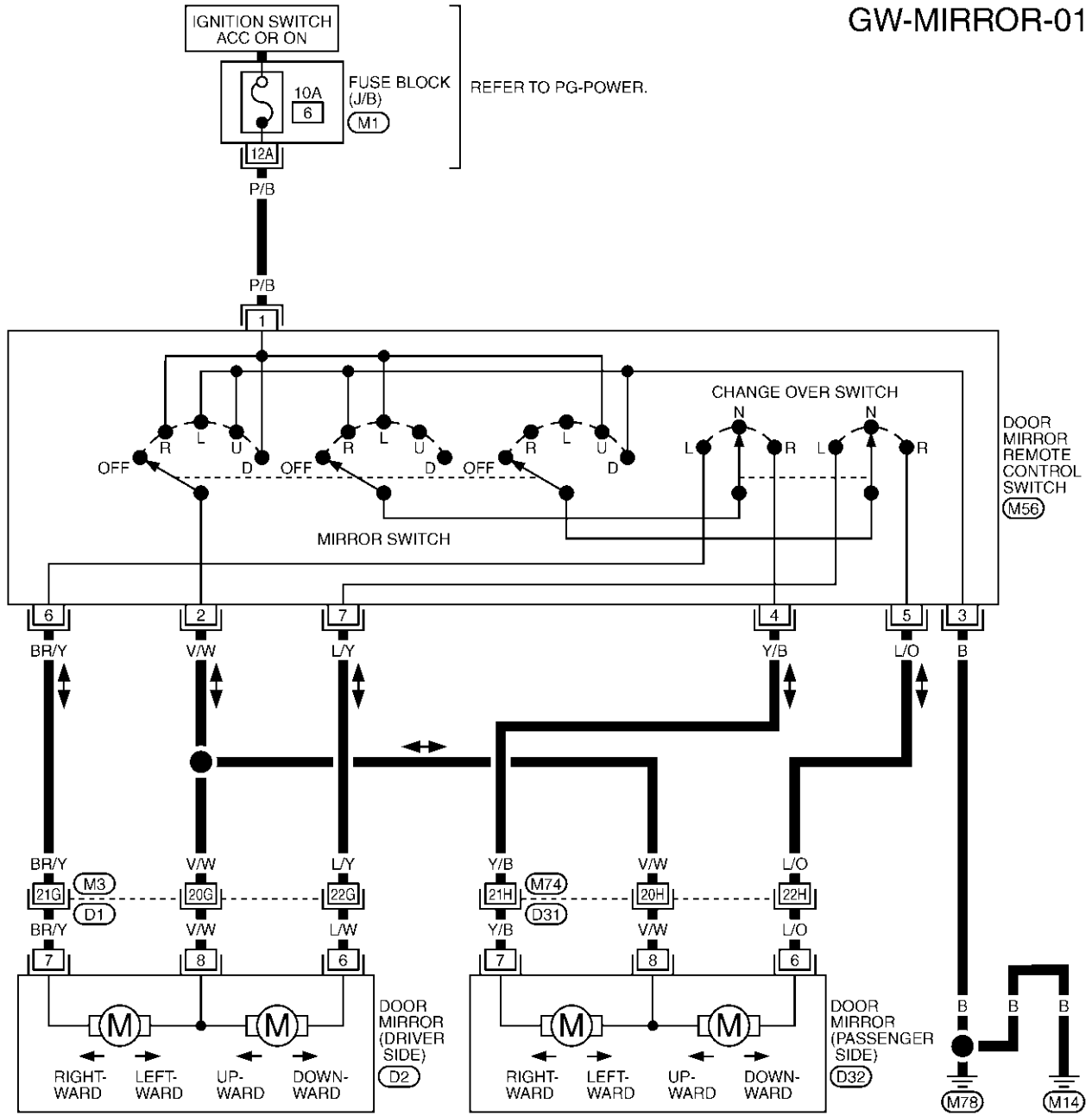
Automatic drive positioner interlocking door mirror. Refer to [SE-12, "AUTOMATIC DRIVE POSITIONER"](#) .

DOOR MIRROR

Power Door Mirror (Only Manual Operation Model) WIRING DIAGRAM -MIRROR-

AIS001T2

GW-MIRROR-01



REFER TO THE FOLLOWING.

(D1) , (D31) -SUPER MULTIPLE JUNCTION (SM.J)

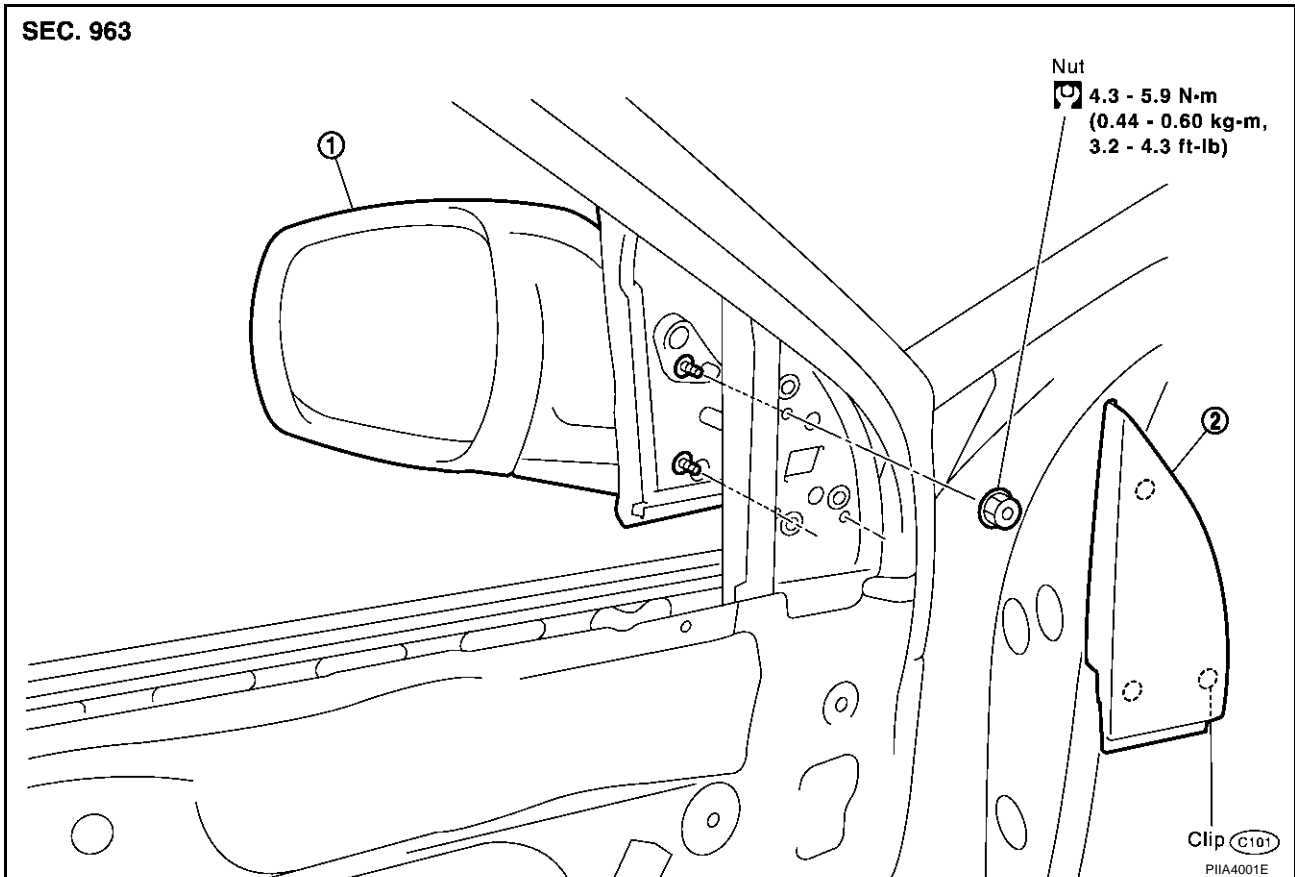
(M1) -FUSE BLOCK-JUNCTION BOX (J/B)

TIWA0296E

DOOR MIRROR

Removal and Installation

AIS005AO



1. Door mirror assembly

2. Front door sash cover

CAUTION:

Be careful not to damage the mirror bodies.

REMOVAL

1. Remove the front door finisher. Refer to [EI-30, "DOOR FINISHER"](#).
2. Remove the front door sash cover.
3. Remove the door mirror harness connector.
4. Remove the door mirror mounting nuts, and remove the door mirror assembly.

INSTALLATION

Install in the reverse order of removal.

Disassembly and Assembly DISASSEMBLY

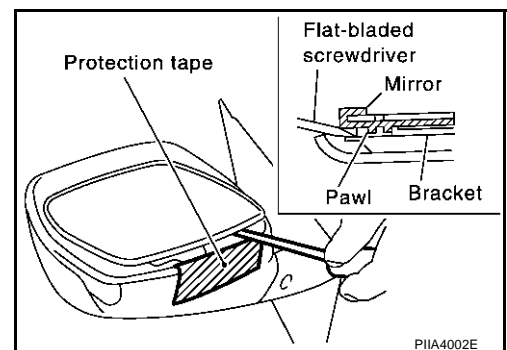
AIS005AP

1. Place the mirror body with mirror glass facing upward.
2. Put a strip of protective tape on mirror body.
3. As shown in the figure insert a small slotted screwdriver into the recess between mirror base (mirror holder) and mirror holder bracket and push up two pawls to remove mirror holder lower half side.

NOTE:

When pushing up pawls do not attempt to use one recess only, be sure to push up with both recesses. Insert screwdriver into recesses, and push up while rotating (twist) to make work easier.

4. Remove two terminals of mirror heater attachment.
5. Lightly lift up lower side of mirror surface from mirror surface, and detach two pawls of upper side as if pulling it out. Remove mirror surface from mirror body.



DOOR MIRROR

NOTE:

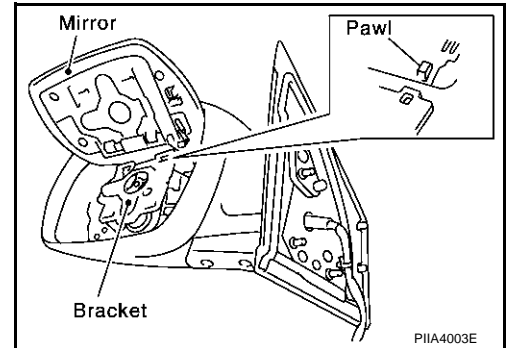
Be certain not to allow grease on sealing agent in center of mirror body assembly (actuator) or back side of mirror surface (mirror holder).

ASSEMBLY

1. Place mirror holder bracket and mirror body assembly (actuator) in a horizontal position.
2. Connect two terminals of heater installed mirror.
3. Fit the upper two pawls on the mirror face onto the mirror holder bracket first, then press the lower side of mirror face until a click sound is heard to engage the lower pawls.

NOTE:

After installation, visually make sure lower two pawls are securely engaged from the bottom of mirror face.



A
B
C
D
E
F
G
H
J
K
L
M

GW

DOOR MIRROR
