

SECTION **ST**
STEERING SYSTEM

A
 B
 C
 D
 E
 F
ST
 H
 I
 J
 K
 L
 M
 N
 O
 P

CONTENTS

FUNCTION DIAGNOSIS	3	STEERING WHEEL	15
HEATED STEERING WHEEL	3	Inspection	15
System Diagram	3	POWER STEERING OIL PUMP	17
System Description	3	Inspection	17
Component Parts Location	3	ON-VEHICLE REPAIR	18
Component Description	4	STEERING WHEEL	18
COMPONENT DIAGNOSIS	5	Removal and Installation	18
HEATED STEERING WHEEL	5	STEERING COLUMN	19
Wiring Diagram	5	Exploded View	19
SYMPTOM DIAGNOSIS	8	Removal and Installation	20
NOISE, VIBRATION AND HARSHNESS		STEERING GEAR AND LINKAGE	23
(NVH) TROUBLESHOOTING	8	Exploded View	23
NVH Troubleshooting Chart	8	Removal and Installation	23
PRECAUTION	9	POWER STEERING OIL PUMP	25
PRECAUTIONS	9	Exploded View	25
Precautions for Supplemental Restraint System		Removal and Installation	25
(SRS) "AIR BAG" and "SEAT BELT PRE-TEN-		HYDRAULIC LINE	26
SIONER"	9	Exploded View	26
Precautions Necessary for Steering Wheel Rota-		Removal and Installation	27
tion after Battery Disconnect	9	DISASSEMBLY AND ASSEMBLY	28
Service Notice or Precautions	9	STEERING COLUMN	28
PREPARATION	11	Disassembly and Assembly	28
PREPARATION	11	STEERING GEAR AND LINKAGE	29
Special Service Tool	11	Exploded View	29
Commercial Service Tool	12	Disassembly	29
ON-VEHICLE MAINTENANCE	13	Inspection	29
POWER STEERING FLUID	13	Assembly	30
Inspection	13	POWER STEERING OIL PUMP	32
Draining	13	Disassembly and Assembly	32
Refilling	13	SERVICE DATA AND SPECIFICATIONS	
		(SDS)	33

SERVICE DATA AND SPECIFICATIONS

(SDS)	33
Steering Wheel	33
Steering Angle	33

Steering Column	33
Steering Gear	34
Oil Pump	35
Steering Fluid	35

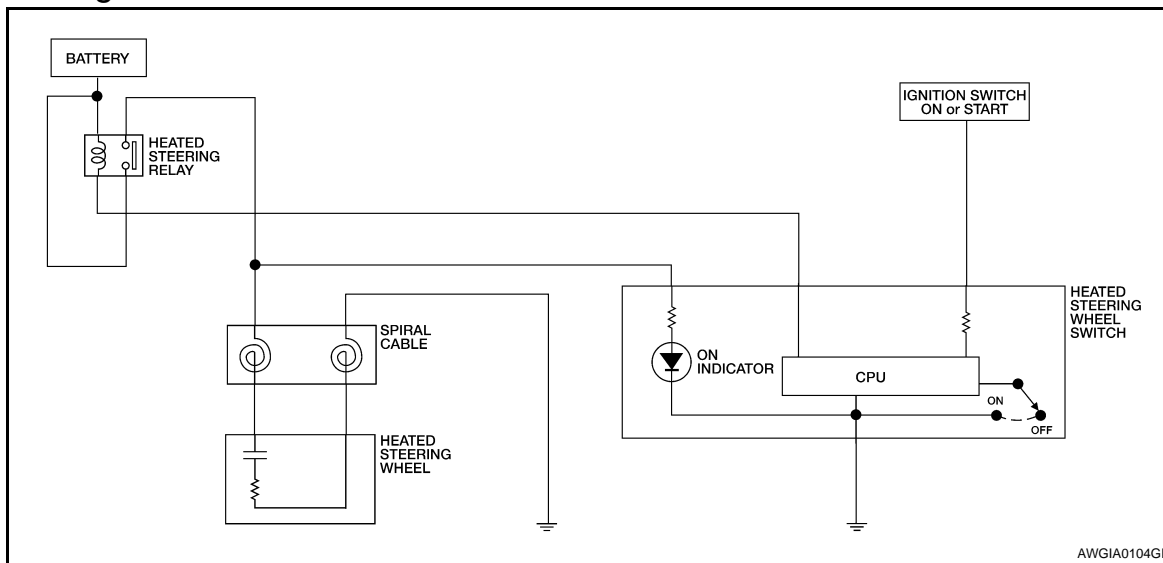
HEATED STEERING WHEEL

< FUNCTION DIAGNOSIS >

FUNCTION DIAGNOSIS

HEATED STEERING WHEEL

System Diagram



System Description

INFOID:000000004056066

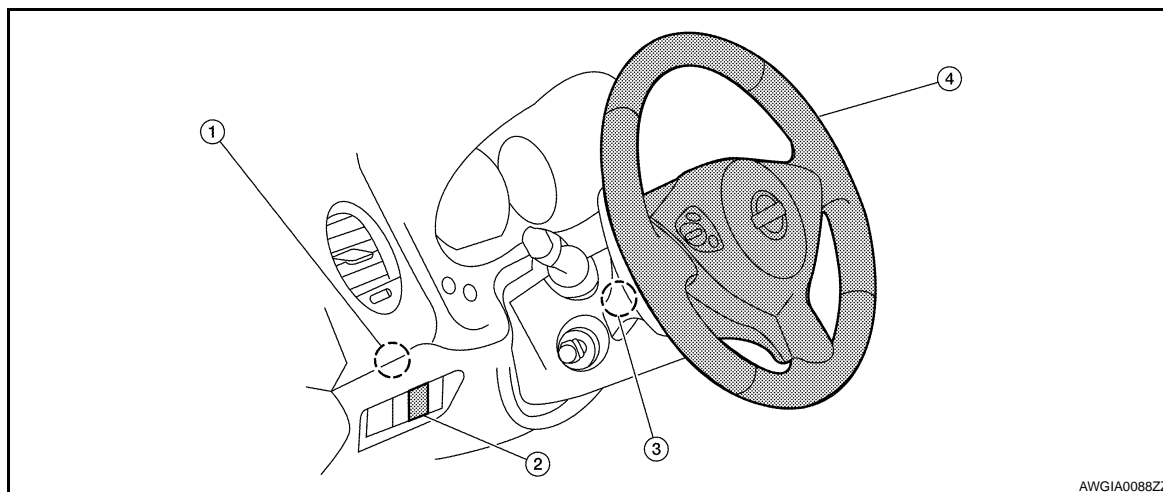
The heated steering wheel switch controls the heated steering relay. When the switch is turned on, the relay is energized and the heated steering system will operate. The heated steering system will turn off when the steering wheel temperature reaches approximately 30° C (86° F). Heated steering system operation can also be canceled by pressing the heated steering wheel switch again.

NOTE:

The heated steering wheel system will operate **ONLY** when the steering wheel surface is below approximately 20° C (68° F). If the weather is warm enough, the heated steering wheel system may not turn on, giving the appearance that the system does not operate.

Component Parts Location

INFOID:000000004056067



1. Heated steering relay M97
2. Heated steering wheel switch M96
3. Spiral cable M26
4. Heated steering wheel M114

HEATED STEERING WHEEL

< FUNCTION DIAGNOSIS >

Component Description

INFOID:000000004056068

Heated steering wheel switch	<ul style="list-style-type: none">• Controls the heated steering relay and operates the heated steering wheel system.• Turns the indicator lamp ON when the system is activated.
Heated steering relay	<ul style="list-style-type: none">• Operates the heated steering system with the control signal from the heated steering wheel switch.
Heated steering wheel	<ul style="list-style-type: none">• Heats the heating element with the power supplied from the heated steering relay.

HEATED STEERING WHEEL

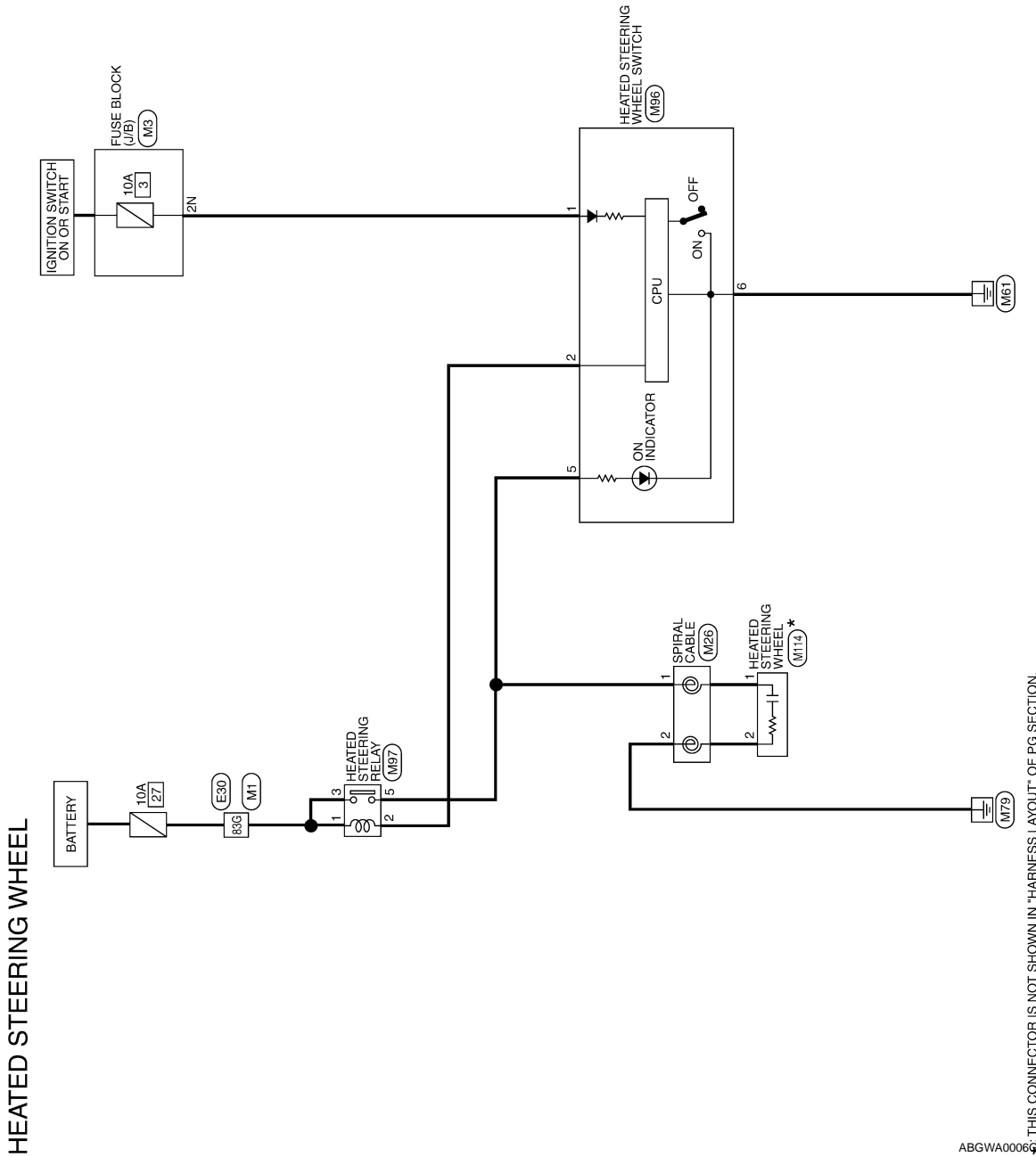
< COMPONENT DIAGNOSIS >

COMPONENT DIAGNOSIS

HEATED STEERING WHEEL

Wiring Diagram

INFOID:000000004056069



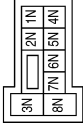
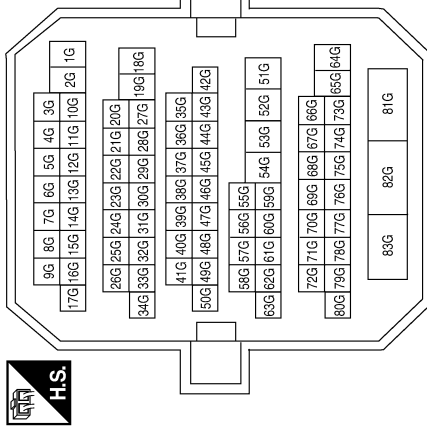
A
B
C
D
E
F
ST
H
I
J
K
L
M
N
O
P

HEATED STEERING WHEEL

< COMPONENT DIAGNOSIS >

HEATED STEERING WHEEL CONNECTORS

Connector No.	M1
Connector Name	WIRE TO WIRE
Connector Color	WHITE



Terminal No.	Color of Wire	Signal Name
83G	B/W	-

Connector No.	M3
Connector Name	FUSE BLOCK (J/B)
Connector Color	WHITE

Terminal No.	Color of Wire	Signal Name
2N	G	-

Connector No.	M26
Connector Name	SPIRAL CABLE
Connector Color	WHITE



Terminal No.	Color of Wire	Signal Name
1	BR	-
2	B	-

Connector No.	M96
Connector Name	HEATED STEERING WHEEL SWITCH
Connector Color	WHITE



Terminal No.	Color of Wire	Signal Name
1	G	-
2	B/R	-
5	BR	-
6	B	-

Connector No.	M97
Connector Name	HEATED STEERING RELAY
Connector Color	BLUE

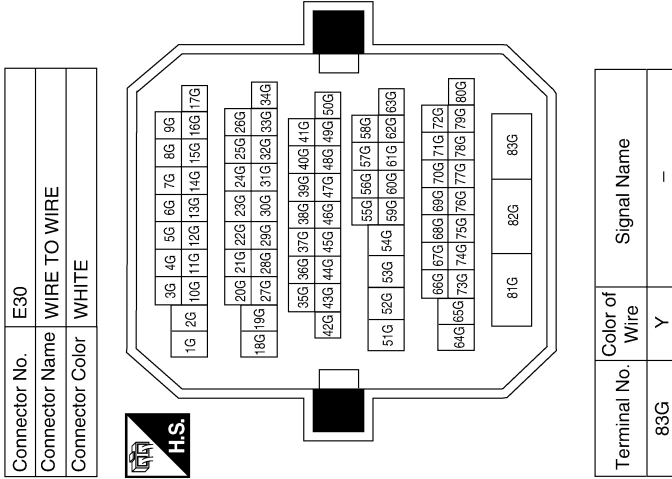


Terminal No.	Color of Wire	Signal Name
1	B/W	-
2	B/R	-
3	B/W	-
5	BR	-

ABGIA0009GB

HEATED STEERING WHEEL

< COMPONENT DIAGNOSIS >



Connector No.	M114
Connector Name	HEATED STEERING WHEEL
Connector Color	WHITE



Terminal No.	Color of Wire	Signal Name
1	L	-
2	Y	-

A
B
C
D
E
F
ST
H
I
J
K
L
M
N
O
P

ABGIA0010GB

PRECAUTIONS

< PRECAUTION >

PRECAUTION

PRECAUTIONS

Precautions for Supplemental Restraint System (SRS) "AIR BAG" and "SEAT BELT PRE-TENSIONER"

INFOID:000000003895438

The Supplemental Restraint System such as "AIR BAG" and "SEAT BELT PRE-TENSIONER", used along with a front seat belt, helps to reduce the risk or severity of injury to the driver and front passenger for certain types of collision. This system includes seat belt switch inputs and dual stage front air bag modules. The SRS system uses the seat belt switches to determine the front air bag deployment, and may only deploy one front air bag, depending on the severity of a collision and whether the front occupants are belted or unbelted. Information necessary to service the system safely is included in the SR and SB section of this Service Manual.

WARNING:

- To avoid rendering the SRS inoperative, which could increase the risk of personal injury or death in the event of a collision which would result in air bag inflation, all maintenance must be performed by an authorized NISSAN/INFINITI dealer.
- Improper maintenance, including incorrect removal and installation of the SRS, can lead to personal injury caused by unintentional activation of the system. For removal of Spiral Cable and Air Bag Module, see the SR section.
- Do not use electrical test equipment on any circuit related to the SRS unless instructed to in this Service Manual. SRS wiring harnesses can be identified by yellow and/or orange harnesses or harness connectors.

Precautions Necessary for Steering Wheel Rotation after Battery Disconnect

INFOID:000000003895439

NOTE:

- Before removing and installing any control units, first turn the push-button ignition switch to the LOCK position, then disconnect both battery cables.
- After finishing work, confirm that all control unit connectors are connected properly, then re-connect both battery cables.
- Always use CONSULT-III to perform self-diagnosis as a part of each function inspection after finishing work. If a DTC is detected, perform trouble diagnosis according to self-diagnosis results.

This vehicle is equipped with a push-button ignition switch and a steering lock unit.

If the battery is disconnected or discharged, the steering wheel will lock and cannot be turned.

If turning the steering wheel is required with the battery disconnected or discharged, follow the procedure below before starting the repair operation.

OPERATION PROCEDURE

1. Connect both battery cables.

NOTE:

Supply power using jumper cables if battery is discharged.

2. Carry the Intelligent Key or insert it into the key slot and turn the push-button ignition switch to ACC position.
(At this time, the steering lock will be released.)
3. Disconnect both battery cables. The steering lock will remain released with both battery cables disconnected and the steering wheel can be turned.
4. Perform the necessary repair operation.
5. When the repair work is completed, re-connect both battery cables. With the brake pedal released, turn the push-button ignition switch from ACC position to ON position, then to LOCK position. (The steering wheel will lock when the push-button ignition switch is turned to LOCK position.)
6. Perform self-diagnosis check of all control units using CONSULT-III.

Service Notice or Precautions

INFOID:000000003895441

- In case of removing steering gear assembly, make the final tightening with grounded and unloaded vehicle condition, and then check wheel alignment.
- Observe the following precautions when disassembling.

PRECAUTIONS

< PRECAUTION >

- Before disassembly, thoroughly clean the outside of the unit.
- Disassembly should be done in a clean work area. It is important to prevent the internal parts from becoming contaminated by dirt or other foreign matter.
- For easier and proper assembly, place disassembled parts in order on a parts rack.
- Use nylon cloth or paper towels to clean the parts; common shop rags can leave lint that might interfere with their operation.
- Do not reuse non-reusable parts.
- Before assembling, apply the specified grease to the directed parts.

PREPARATION

< PREPARATION >

PREPARATION

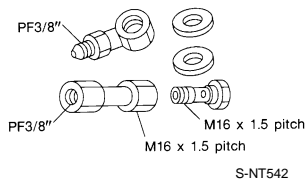
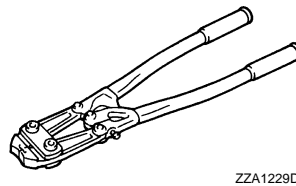
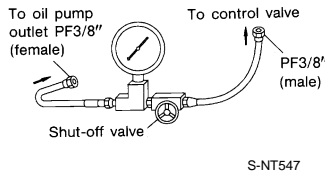
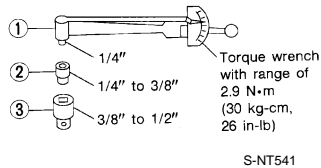
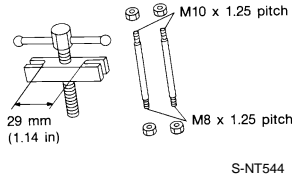
PREPARATION

Special Service Tool

INFOID:000000003895442

The actual shapes of Kent-Moore tools may differ from those of special service tools illustrated here.

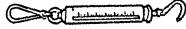
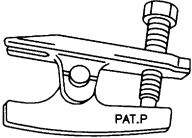
Tool number (Kent-Moore No.) Tool name	Description
ST27180001 (J-25726-A) Steering wheel puller	Removing steering wheel
ST3127S000 (J-25765-A) Preload gauge 1. GG9103000 (J-25765-A) Torque wrench 2. HT629400000 (-) Socket adapter 3. HT629000000 (-) Socket adapter	Inspecting of rotating torque for ball joint and steering column
KV48103500 (J-26357) Pressure gauge	Measuring oil pump relief pressure
KV40107300 (-) Boot clamp crimping tool	Installing boot clamps
KV48102500 (J-33914) Pressure gauge adapter	Measuring oil pump relief pressure



A
B
C
D
E
F
ST
H
I
J
K
L
M
N
O
P

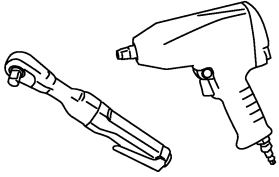
PREPARATION

< PREPARATION >

Tool number (Kent-Moore No.) Tool name	Description
— (J-44372) Spring gauge  <div style="text-align: right;">LST024</div>	Measuring steering wheel turning force, rack sliding force and ball joint swinging force
HT72520000 (J-25730-A) Ball joint remover  <div style="text-align: right;">NT146</div>	Removing ball joint

Commercial Service Tool

INFOID:000000003895443

Tool number Tool name	Description
Power tool  <div style="text-align: right;">PBIC0190E</div>	<ul style="list-style-type: none"> • Removing wheel nuts • Removing undercover

POWER STEERING FLUID

< ON-VEHICLE MAINTENANCE >

ON-VEHICLE MAINTENANCE

POWER STEERING FLUID

Inspection

INFOID:000000003895444

FLUID LEVEL

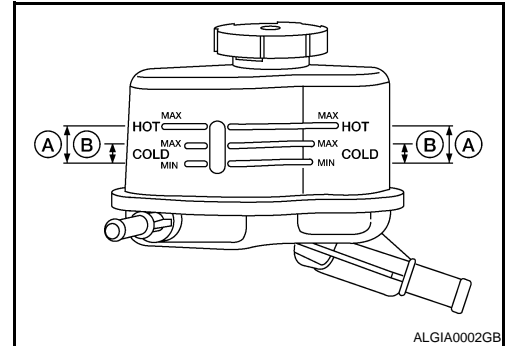
- Check fluid level with engine stopped.
- Make sure that fluid level is between MIN and MAX.
- Fluid levels at HOT (A) and COLD (B) are different. Do not confuse them.

HOT (A) : Fluid temperature 50 - 80 °C (122 - 176°F)

COLD (B) : Fluid temperature 0 - 30°C (32 - 86°F)

CAUTION:

- The fluid level should not exceed the MAX line. Excessive fluid will cause fluid leakage from the cap.
- Do not reuse drained power steering fluid.
- Recommended fluid is Genuine Nissan PSF or equivalent.



FLUID LEAKAGE

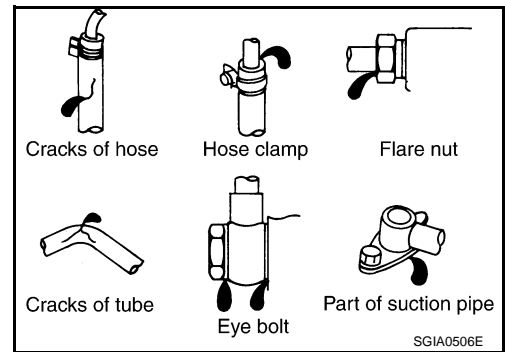
Check hydraulic connections for fluid leakage, cracks, damage, looseness, or wear.

1. Run engine until the fluid temperature reaches 50 to 80° C (122 to 176°F) in reservoir tank, and keep engine speed idle.
2. Turn steering wheel several times from full left stop to full right stop.
3. Hold steering wheel at each lock position for five seconds and carefully, check for fluid leakage.

CAUTION:

Do not hold the steering wheel in a locked position for more than 10 seconds. (There is the possibility that oil pump may be damaged.)

4. If fluid leakage at connections is noticed, then loosen flare nut and then retighten. Do not overtighten connector as this can damage O-ring, washer and connector.
5. If fluid leakage from oil pump is noticed, check oil pump. Refer to [ST-25. "Removal and Installation"](#).
6. Check steering gear boots for accumulation of fluid indicating leakage from steering gear.



Draining

INFOID:000000003895445

1. Disconnect both high and low pressure lines from power steering gear.
2. Drain into a suitable container.

Refilling

INFOID:000000003895446

FILLING HYDRAULIC SYSTEM

1. Fill power steering reservoir while checking fluid level.
2. Bleed air from hydraulic system.
3. Check for fluid leaks.

AIR BLEEDING HYDRAULIC SYSTEM

If air bleeding is not complete, the following symptoms can be observed.

- Bubbles are created in reservoir tank.
- Clicking noise can be heard from oil pump.
- Excessive buzzing in the oil pump.

NOTE:

POWER STEERING FLUID

< ON-VEHICLE MAINTENANCE >

Fluid noise may occur in the steering gear or oil pump. This does not affect performance or durability of the system.

1. Turn steering wheel several times from full left stop to full right stop with engine off.

CAUTION:

Turn steering wheel while filling reservoir tank with fluid so as not to lower fluid level below the MIN line.

2. Start engine and hold steering wheel at each lock position for 3 seconds at idle to check for fluid leakage.
3. Repeat step 2 above several times at approximately 3-second intervals.

CAUTION:

Do not hold the steering wheel in a locked position for more than 10 seconds. (There is the possibility that oil pump may be damaged.)

4. Check fluid for bubbles and white contamination.
5. Stop engine if bubbles and white contamination do not drain out. Perform step 2 and 3 above after waiting until bubbles and white contamination drain out.
6. Stop the engine, and then check fluid level.

STEERING WHEEL

< ON-VEHICLE MAINTENANCE >

STEERING WHEEL

Inspection

INFOID:000000003895447

INSTALLATION CONDITION

- Check installation conditions of steering gear assembly, front suspension assembly, axle and steering column assembly.
- Check if movement exists when steering wheel is moved up and down, to the left and right and to the axial direction.

Steering wheel axial end play : Refer to [ST-33, "Steering Wheel"](#)

- Check steering gear assembly bolts and nut for looseness. Refer to [ST-23, "Exploded View"](#).

STEERING WHEEL PLAY

- Turn steering wheel so that front wheels come to the straight-ahead position. Start engine and lightly turn steering wheel to the left and right until front wheels start to move. Measure steering wheel movement on the outer circumference.

Steering wheel play : Refer to [ST-33, "Steering Wheel"](#)

- When the measurement value is outside the standard value, check backlash for each joint of steering column assembly and installation condition of steering gear assembly.

NEUTRAL POSITION OF STEERING WHEEL

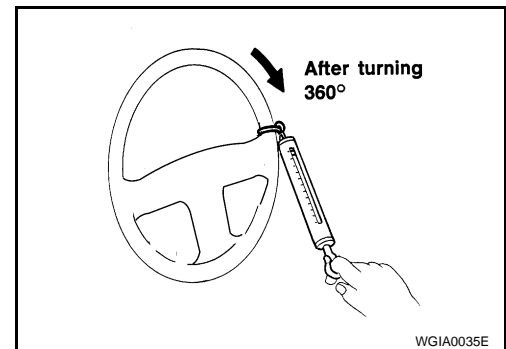
- Make sure that steering gear assembly, steering column assembly and steering wheel are installed in the correct position.
- Perform neutral position inspection after wheel alignment. Refer to [FSU-7, "Inspection and Adjustment"](#).
- Set vehicle to the straight-ahead position and confirm steering wheel is in the neutral position.
- Loosen outer socket lock nut and turn inner socket to left and right equally to make fine adjustments if steering wheel is not in the neutral position.

STEERING WHEEL TURNING FORCE

1. Park vehicle on a level, dry surface and set parking brake.
2. Start engine.
3. Bring power steering fluid up to adequate operating temperature. Make sure the fluid temperature is approximately 60 to 80°C (140 to 176°F).
Tires need to be inflated to normal pressure.
4. Check steering wheel turning force using Tool when steering wheel has been turned 360 degrees from the neutral position.

Tool number : — (J-44372)

Steering wheel turning force : Refer to [ST-33, "Steering Wheel"](#)



5. If steering wheel turning force is out of specification, check rack sliding force.

STEERING WHEEL

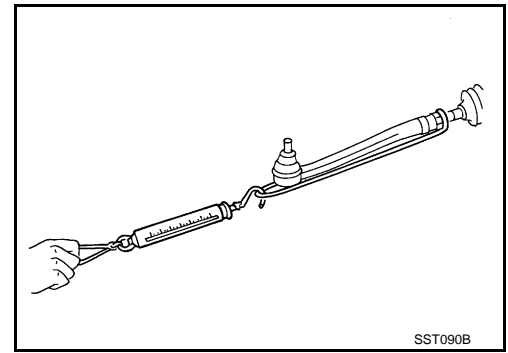
< ON-VEHICLE MAINTENANCE >

- a. While pulling outer socket slowly in ± 11.5 mm (± 0.453 in) range from neutral position, make sure rack sliding force is within specification using Tool.

Tool number : — (J-44372)

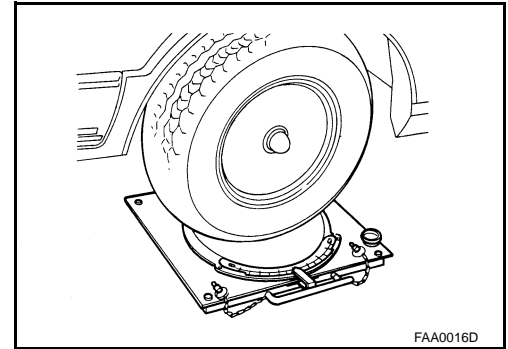
Rack sliding force : Refer to [ST-34, "Steering Gear"](#)

- b. If rack sliding force is not within specification, replace steering gear assembly.
6. If rack sliding force is OK, inspect steering column. Refer to [ST-20, "Removal and Installation"](#).



FRONT WHEEL TURNING ANGLE

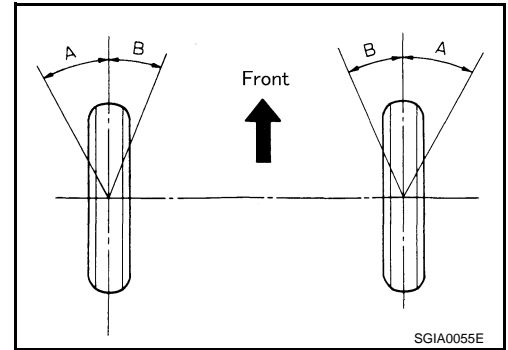
- Check front wheel turning angle after toe-in inspection. Place front wheels on turning radius gauges and rear wheels on stands. Check the maximum inner and outer wheel turning angles for LH and RH road wheels.



- With the engine at idle, turn steering wheel from full left stop to full right stop and measure the turning angles.

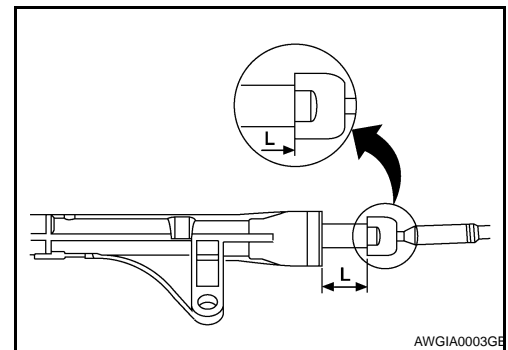
Inner wheel angle (A) : Refer to [ST-33, "Steering Angle"](#)

Outer wheel angle (B) : Refer to [ST-33, "Steering Angle"](#)



- Measure rack stroke in neutral position if angles are outside the specified value.

Rack stroke in neutral position (L) : Refer to [ST-34, "Steering Gear"](#)



POWER STEERING OIL PUMP

< ON-VEHICLE MAINTENANCE >

POWER STEERING OIL PUMP

Inspection

INFOID:000000003895448

RELIEF OIL PRESSURE

CAUTION:

Make sure that belt tension is normal before starting the following procedure.

1. Connect the Tool between oil pump discharge connector and high-pressure hose. Bleed air from the hydraulic circuit while opening valve fully. Refer to [ST-13, "Inspection"](#).

Tool numbers : KV48103500 (J-26357)
: KV48102500 (J-33914)

2. Start engine. Run engine until oil temperature reaches 50 to 80°C (122 to 176°F).

CAUTION:

- Leave the valve of the hydraulic pressure gauge [SST] fully open while starting and running engine. If engine is started with the valve closed, the hydraulic pressure in oil pump goes up to the relief pressure along with unusual increase of oil temperature.
- Be sure to keep hose clear of belts and other parts when engine is started.

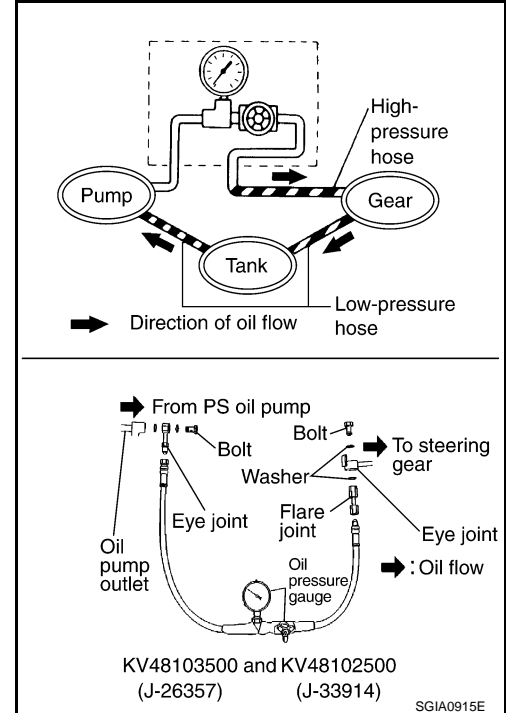
3. Fully close the Tool valve with engine at idle and measure the relief oil pressure.

Relief oil pressure : Refer to [ST-35, "Oil Pump"](#)

CAUTION:

Never keep valve closed for 10 seconds or longer.

4. Open the valve slowly after measuring. Replace oil pump if the relief oil pressure is outside the standard.
5. After inspection, disconnect the Tool from hydraulic circuit, then add fluid and bleed air. Refer to [ST-13, "Inspection"](#).



STEERING WHEEL

< ON-VEHICLE REPAIR >

ON-VEHICLE REPAIR

STEERING WHEEL

Removal and Installation

INFOID:000000003895449

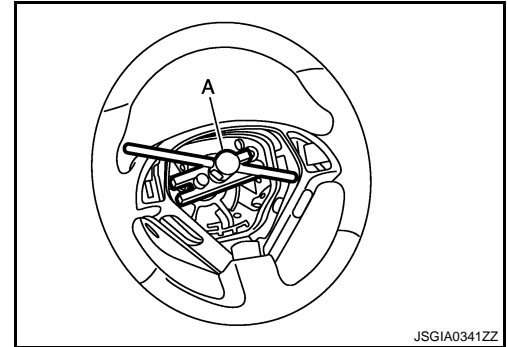
REMOVAL

NOTE:

When reconnecting spiral cable, fix cable with a tape so that fixing case and rotating part keep aligned. This will omit neutral position alignment procedure during spiral cable installation.

1. Set vehicle to the straight-ahead position.
2. Remove driver air bag module. Refer to [SR-5. "Removal and Installation"](#).
3. Remove steering wheel lock nut after steering is locked.
4. Remove steering wheel using Tool (A).

Tool number (A) : ST27180001 (J-25726-A)



JSGIA0341ZZ

INSTALLATION

Installation is in the reverse order of removal.

CAUTION:

Never twist spiral cable freely or excessively after it becomes tight (doing so may cause the cable to tear off).

NOTE:

Check the spiral cable neutral position after replacing or rotating spiral cable. Refer to [SR-8. "Removal and Installation"](#).

STEERING COLUMN

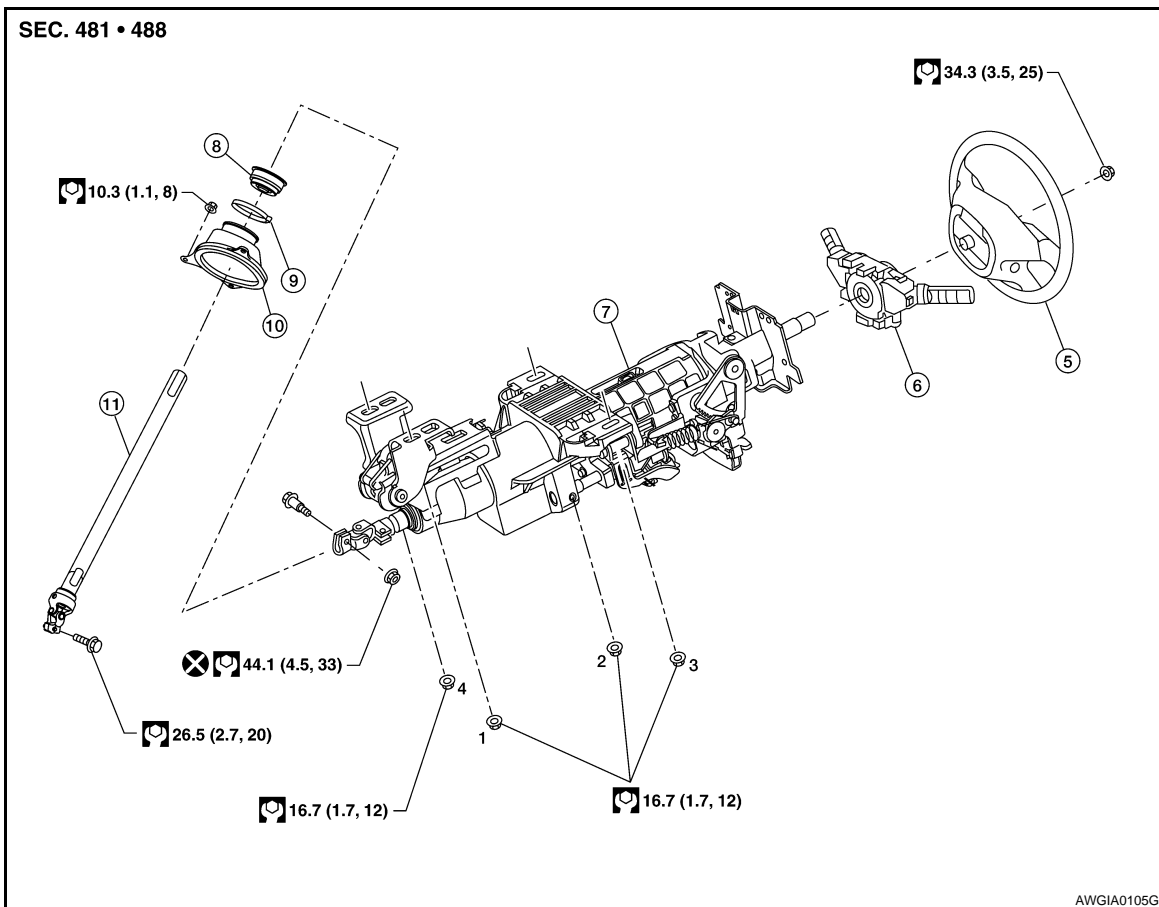
< ON-VEHICLE REPAIR >

STEERING COLUMN

Exploded View

INFOID:000000003895450

Without Electric Motor

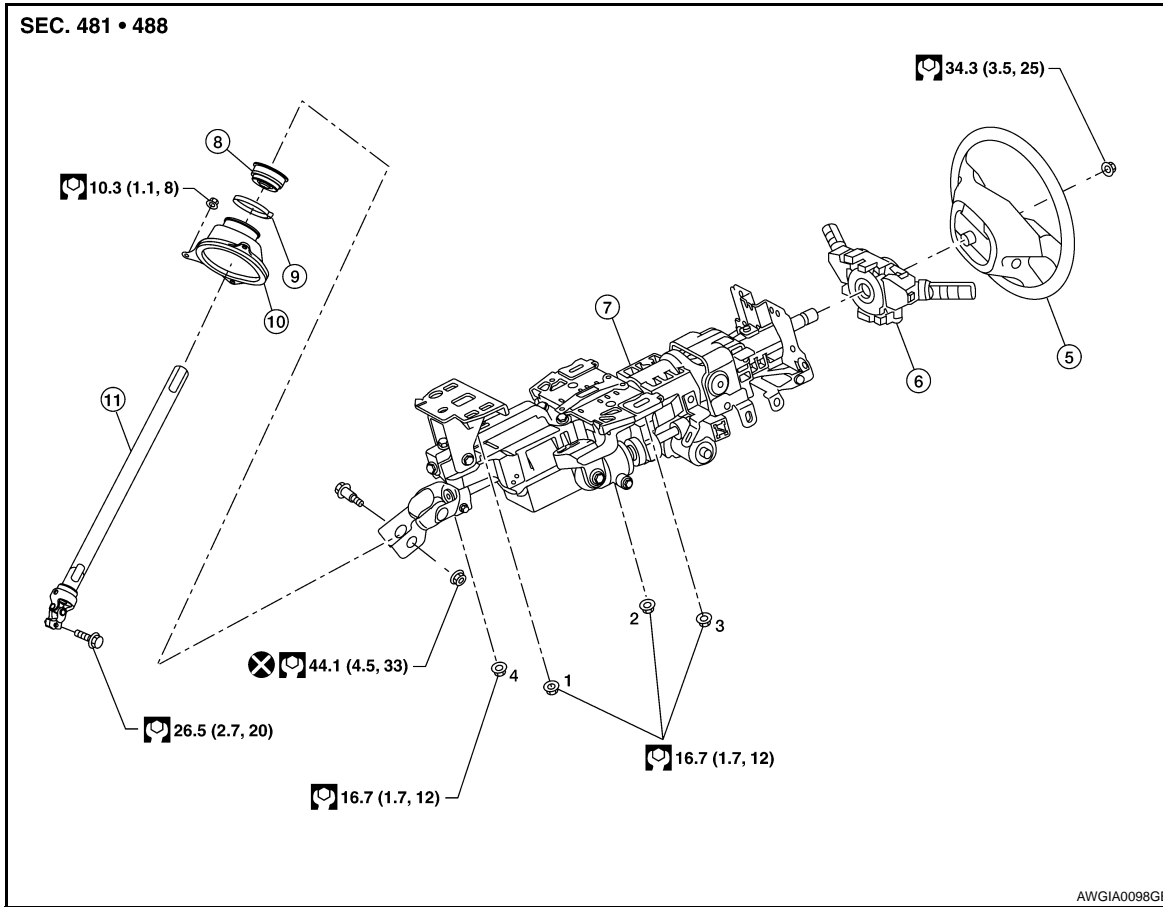


- | | | |
|--|--------------------------|--|
| 1-4. Steering column assembly nut tightening order | 5. Steering wheel | 6. Combination switch and spiral cable |
| 7. Steering column assembly | 8. Hole cover seal | 9. Herbie clip |
| 10. Hole cover | 11. Lower shaft assembly | |

STEERING COLUMN

< ON-VEHICLE REPAIR >

With Electric Motor



- | | | |
|--|--------------------------|--|
| 1-4. Steering column assembly nut tightening order | 5. Steering wheel | 6. Combination switch and spiral cable |
| 7. Steering column assembly | 8. Hole cover seal | 9. Herbie clip |
| 10. Hole cover | 11. Lower shaft assembly | |

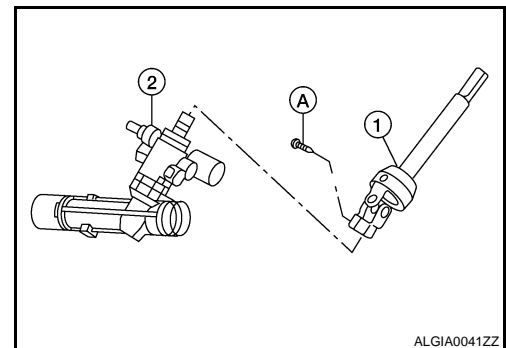
Removal and Installation

INFOID:000000003895451

REMOVAL

Hole Cover Seal, Hole Cover and Lower Shaft Assembly

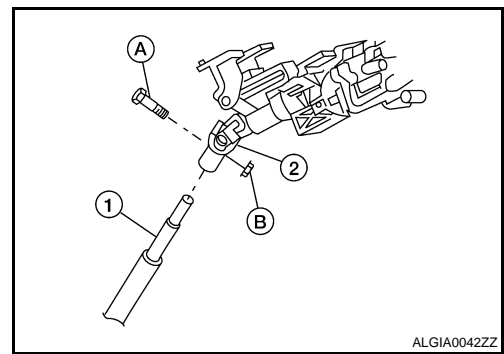
1. Set wheels to the straight-ahead position.
 - Steering gear (2)
2. Remove lower side bolt (A) of lower shaft assembly (1).



STEERING COLUMN

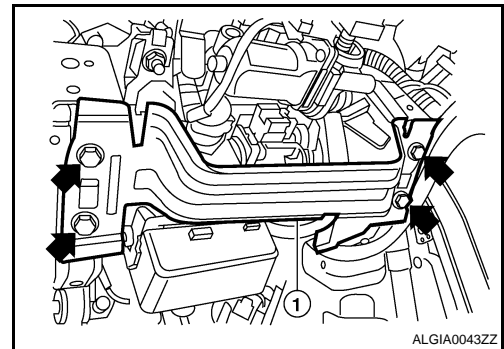
< ON-VEHICLE REPAIR >

3. Remove bolt (A) and nut (B) of column upper joint (2), then remove lower shaft assembly (1).
4. Loosen herbie clip, then remove hole cover seal from hole cover.
5. Remove nuts of hole cover, and then remove clamp and hole cover from dash panel.

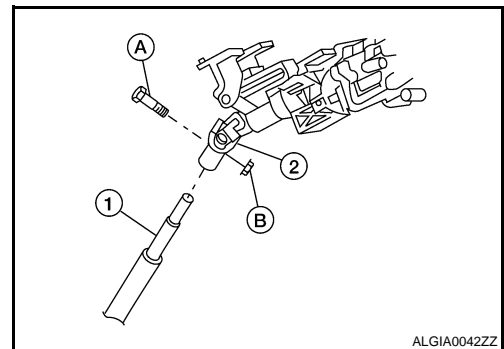


Steering Column Assembly

1. Set wheels to the straight-ahead position.
2. Remove driver air bag module. Refer to [SR-5. "Removal and Installation"](#).
3. Remove steering wheel. Refer to [ST-18. "Removal and Installation"](#).
4. Remove instrument side mask (LH). Refer to [IP-11. "Exploded View"](#).
5. Remove instrument lower cover (LH). Refer to [IP-11. "Exploded View"](#).
6. Remove knee protector bolts, then remove knee protector (1). Refer to [IP-11. "Exploded View"](#).
7. Remove steering column cover (upper and lower). Refer to [IP-11. "Exploded View"](#).
8. Remove combination switch and spiral cable. Refer to [SR-8. "Removal and Installation"](#).
9. Disconnect each switch connector installed to steering column assembly, and then disconnect harness from steering column assembly.



- Lower shaft assembly (1)
10. Remove bolt (A) and nut (B) of column upper joint (2).
 11. Remove steering column assembly and nuts, then remove steering column assembly.



INSPECTION AFTER REMOVAL

Hole Cover Seal, Hole Cover and Lower Shaft Assembly

Check each part of hole cover seal, hole cover and steering column and lower shaft assembly for damage or other malfunctions. Replace if necessary.

Steering Column Assembly

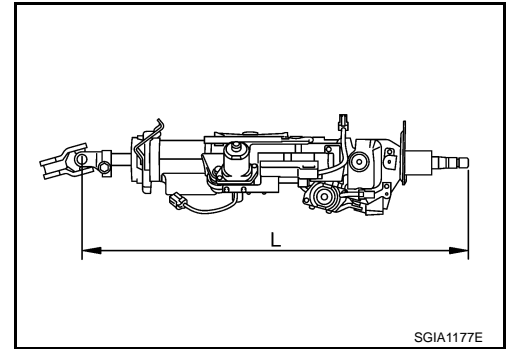
- Check each part of steering column assembly for damage or other malfunctions. Replace entire steering column assembly if any parts are damaged.

STEERING COLUMN

< ON-VEHICLE REPAIR >

- Measure the length (L) as shown if vehicle has been involved in a minor collision. Replace steering column assembly if outside the specifications.

Steering column length (L) : Refer to [ST-33, "Steering Column"](#)



- Measure steering column rotating torque using Tool. Replace steering column assembly if outside the standard.

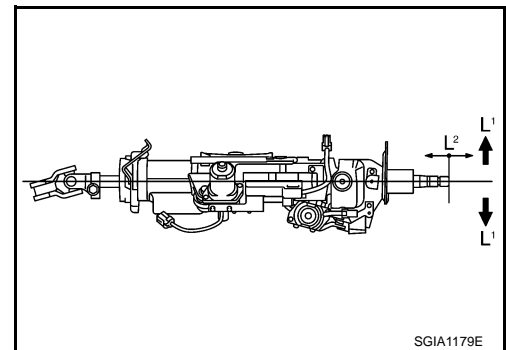
Tool number : ST3127S000 (J-25765-A)

Rotating torque : Refer to [ST-33, "Steering Column"](#)

- Check tilt and telescopic mechanism operating range (L^1), (L^2) as shown.

Tilt operating range (L^1) : Refer to [ST-33, "Steering Column"](#)

Telescopic operating range (L^2) : Refer to [ST-33, "Steering Column"](#)



INSTALLATION

Steering Column Assembly

Installation is in the reverse order of removal.

Hole Cover Seal, Hole Cover and Lower Shaft Assembly

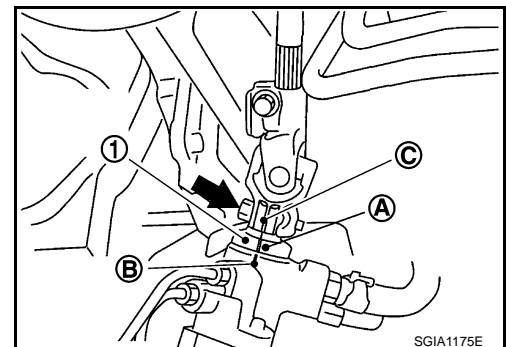
Installation is in the reverse order of removal.

- When installing lower shaft assembly to steering gear assembly, follow the procedure listed below.
 - Set rack of steering gear in the neutral position.

NOTE:

To get the neutral position of rack, turn gear sub-assembly and measure the distance of inner socket, and then measure the intermediate position of the distance.

- Align rear cover cap projection (A) with the marking position (B) of gear housing assembly.
- Install slit part of lower shaft assembly (C) aligning with the projection (A) of rear cover cap (1). Make sure that the slit part of lower shaft assembly (C) is aligned with both the projection (A) of rear cover cap (1) and the marking position (B) of gear housing assembly.
- Perform final tightening of nuts and bolts on each part under unladen conditions with tires on level ground when removing steering gear assembly. Check wheel alignment. Refer to [FSU-7, "Inspection and Adjustment"](#).



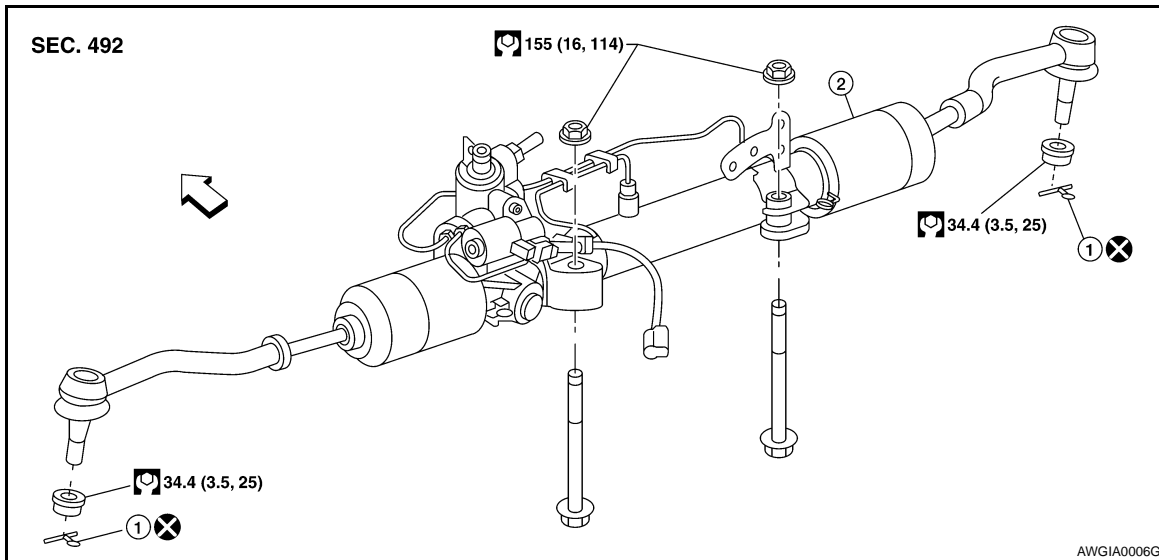
STEERING GEAR AND LINKAGE

< ON-VEHICLE REPAIR >

STEERING GEAR AND LINKAGE

Exploded View

INFOID:000000003895452



1. Cotter pin

2. Steering gear assembly

← Front

Removal and Installation

INFOID:000000003895453

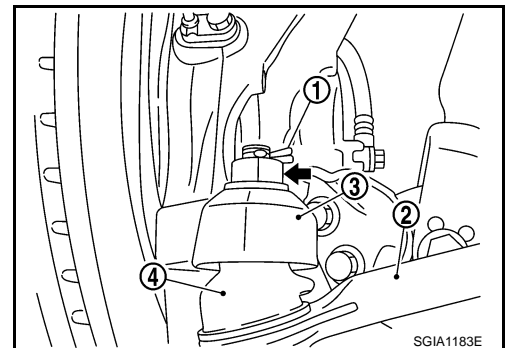
REMOVAL

1. Remove front tires using power tool. Refer to [WT-62, "Adjustment"](#).
2. Drain power steering fluid. Refer to [ST-13, "Draining"](#).
3. Disconnect front stabilizer connecting rods from front stabilizer and reposition front stabilizer. Refer to [FSU-11, "Removal and Installation"](#).
4. Remove steering outer socket cotter pins (1), and then loosen the nuts.
5. Remove steering outer sockets (2) from steering knuckles (3) so as not to damage ball joint boots (4) using Tool.

CAUTION:

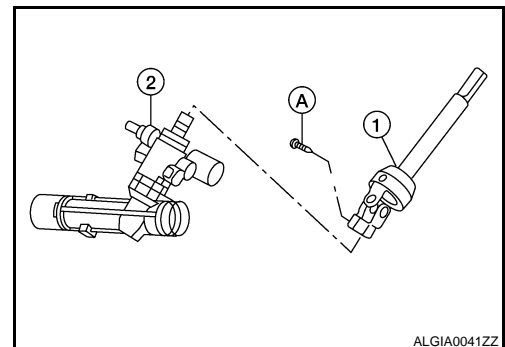
Temporarily tighten the nut to prevent damage to threads and to prevent the Tool from suddenly coming off.

Tool number : HT72520000 (J-25730-A)



- Steering gear assembly (2)

6. Remove side bolt (A) of lower shaft assembly (1) and disconnect lower shaft assembly.
7. Remove front exhaust tube. Refer to [EX-5, "Removal and Installation"](#).
8. Disconnect SSPS valve harness connector. Refer to [ST-29, "Exploded View"](#).
9. Disconnect high and low pressure piping from steering gear assembly.
10. Remove steering hydraulic piping bracket from front suspension member.
11. Remove bolts and nuts of steering gear assembly, and then remove steering gear assembly from vehicle.



STEERING GEAR AND LINKAGE

< ON-VEHICLE REPAIR >

INSPECTION AFTER REMOVAL

Check for fluid leaks or damage to steering gear assembly. If any exist, replace steering gear assembly.

INSTALLATION

Installation is in the reverse order of removal.

- When installing lower shaft assembly to steering gear assembly, follow the procedure listed below.

- Set rack of steering gear in the neutral position.

NOTE:

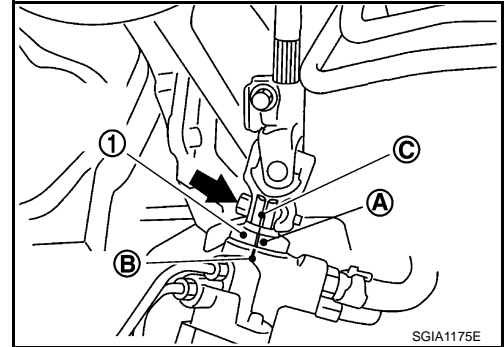
To get the neutral position of rack, turn gear sub-assembly and measure the distance of inner socket, and then measure the intermediate position of the distance.

- Align rear cover cap projection (A) with the marking position (B) of gear housing assembly.

- Install slit part of lower shaft assembly (C) aligning with the projection (A) of rear cover cap (1). Make sure that the slit part of lower shaft assembly (C) is aligned with both the projection (A) of rear cover cap (1) and the marking position (B) of gear housing assembly.

- After installation, bleed air from the steering hydraulic system. Refer to [ST-13. "Inspection"](#).

- Perform final tightening of nuts and bolts on each part under unladen conditions with tires on level ground when removing steering gear assembly. Check wheel alignment. Refer to [FSU-7. "Inspection and Adjustment"](#).



INSPECTION AFTER INSTALLATION

Make sure that steering wheel operates smoothly by turning several times from full left stop to full right stop.

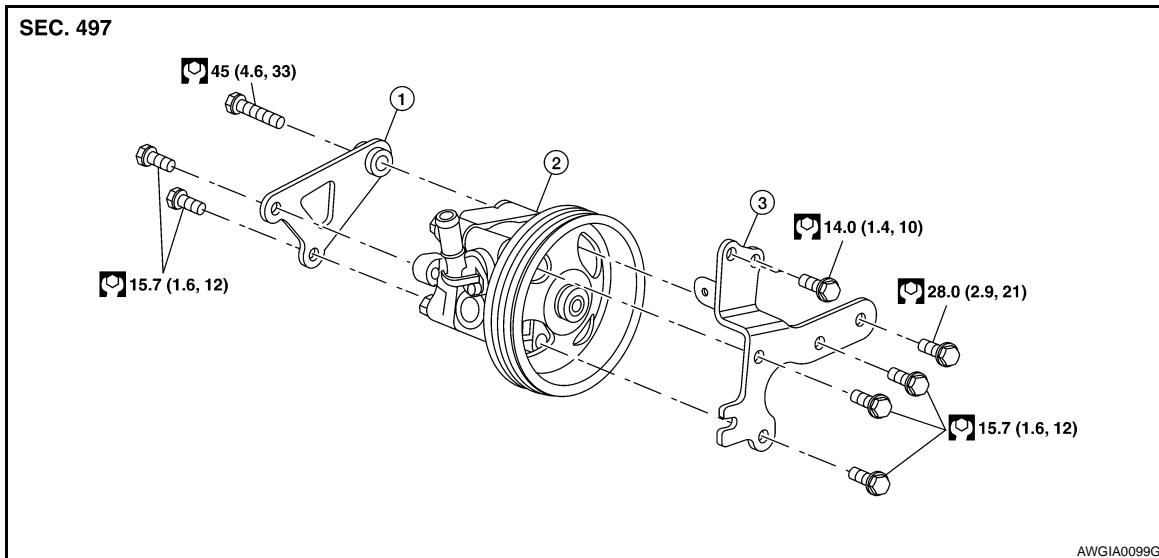
POWER STEERING OIL PUMP

< ON-VEHICLE REPAIR >

POWER STEERING OIL PUMP

Exploded View

INFOID:000000004193575



1. Rear bracket
2. Power steering oil pump assembly
3. Front bracket

Removal and Installation

INFOID:000000004193576

REMOVAL

1. Remove front tire (RH) using power tool. Refer to [WT-62. "Adjustment"](#).
2. Remove engine side undercover.
3. Remove hood ledge cover (RH).
4. Drain power steering fluid. Refer to [ST-13. "Draining"](#).
5. Disconnect high pressure piping and suction hose from power steering oil pump. Refer to [ST-26. "Exploded View"](#).
6. Loosen drive belt. Refer to [EM-14. "Removal and Installation"](#).
7. Remove drive belt from power steering oil pump pulley.
8. Remove power steering oil pump bolts, and then remove power steering oil pump.

INSTALLATION

Installation is in the reverse order of removal.

- When installing power steering oil pump, install all bolts by hand initially, then tighten bolts to specification.
- Perform the following procedures after installing.
 - Check belt tension. Refer to [EM-14. "Checking Drive Belts"](#).
 - Bleed air from power steering system. Refer to [ST-13. "Refilling"](#).

HYDRAULIC LINE

< ON-VEHICLE REPAIR >

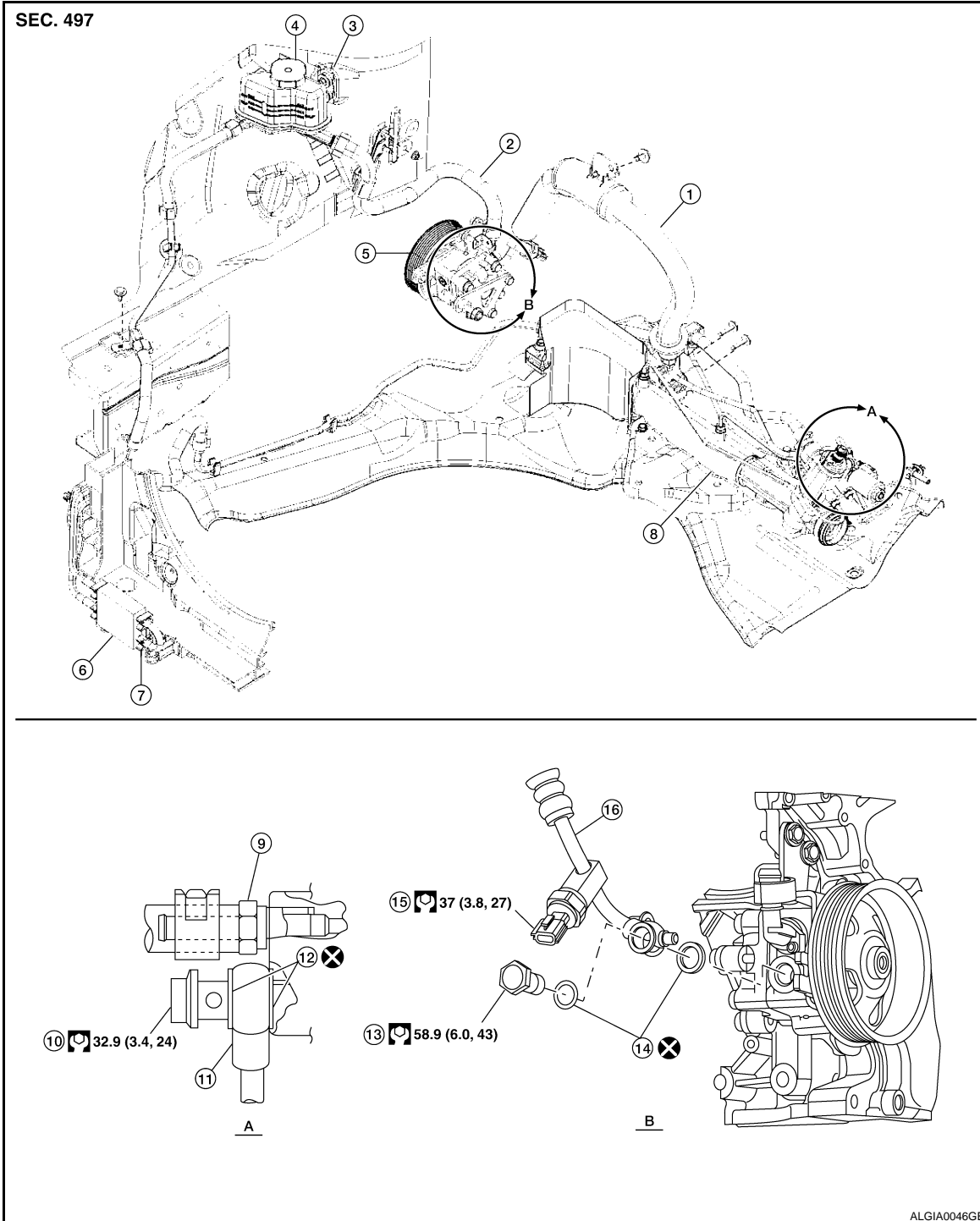
HYDRAULIC LINE

Exploded View

INFOID:000000004193577

CAUTION:

Securely insert harness connector to pressure sensor.



ALGIA0046GB

- | | | |
|---|---------------------------|--------------------------------|
| 1. High pressure hose | 2. Suction hose | 3. Reservoir tank bracket |
| 4. Reservoir tank | 5. Oil pump assembly | 6. Power steering fluid cooler |
| 7. Power steering fluid cooler brackets | 8. Steering gear assembly | 9. Low pressure piping |
| 10. Eye bolt | 11. High pressure piping | 12. Copper washer |

HYDRAULIC LINE

< ON-VEHICLE REPAIR >

- | | | |
|--|-------------------|---------------------|
| 13. Eye bolt | 14. Copper washer | 15. Pressure sensor |
| 16. Eye-joint (assembled to high-pressure side hose) | | |

Removal and Installation

INFOID:000000004193578

REMOVAL

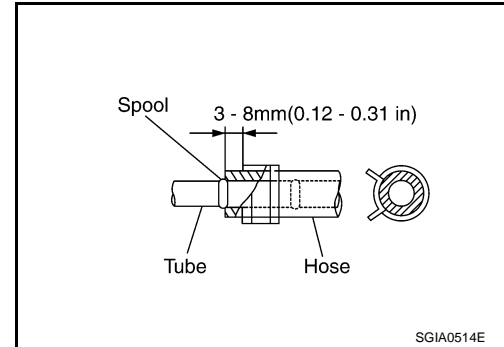
Refer to [ST-26, "Exploded View"](#) for removal procedure.

INSTALLATION

- Insert hose securely until it contacts tube spool.

CAUTION:

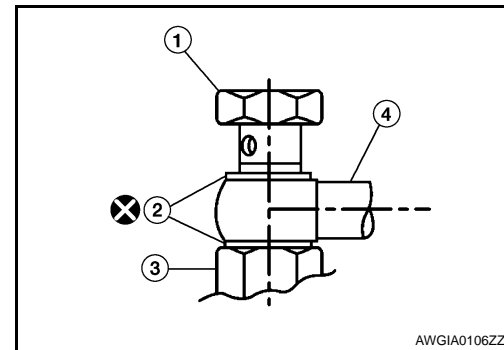
Do not apply fluid.



- Install eye-bolt (1), copper washers (2) and eye-joint (assembled to high-pressure hose) (4) onto oil pump assembly (3), and then tighten it to the specified torque after tightening by hand.

CAUTION:

Do not reuse copper washers.



STEERING COLUMN

< DISASSEMBLY AND ASSEMBLY >

DISASSEMBLY AND ASSEMBLY

STEERING COLUMN

Disassembly and Assembly

INFOID:000000003895462

The steering column assembly is not serviceable and must be replaced as an assembly.

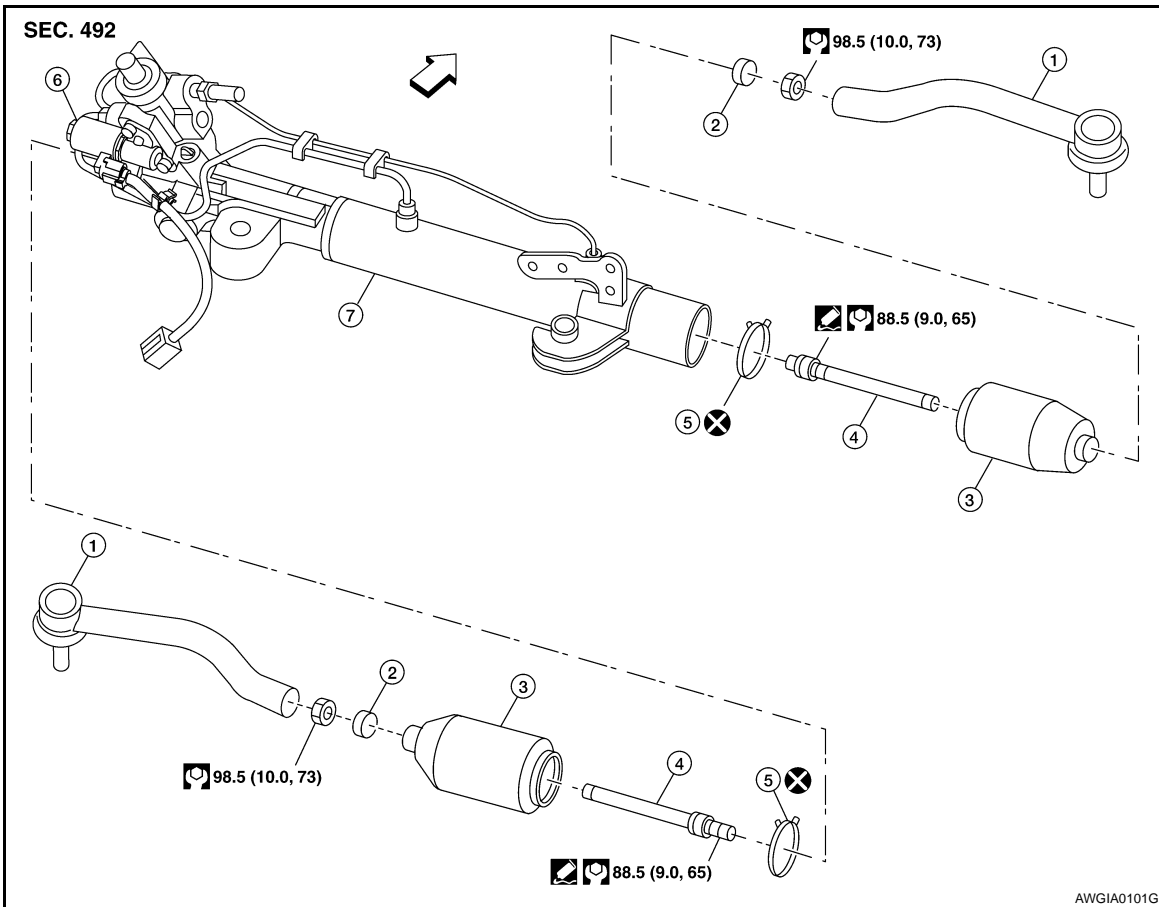
STEERING GEAR AND LINKAGE

< DISASSEMBLY AND ASSEMBLY >

STEERING GEAR AND LINKAGE

Exploded View

INFOID:000000003895463



- | | | |
|------------------|---------------|---------------------------------------|
| 1. Outer socket | 2. Boot clamp | 3. Boot |
| 4. Inner socket | 5. Boot clamp | 6. SSPS valve (part of gear assembly) |
| 7. Gear assembly | ← Front | ☑ Three Bond 1111B or equivalent |

Disassembly

INFOID:000000003895464

1. Remove outer socket locknut and outer socket.
2. Remove boot clamps and boot.
3. Remove inner socket.

Inspection

INFOID:000000003895465

INSPECTION AFTER DISASSEMBLY

Boot

Check boot for cracks. Replace if any damage is found.

Outer Socket and Inner Socket

- Ball joint swinging torque

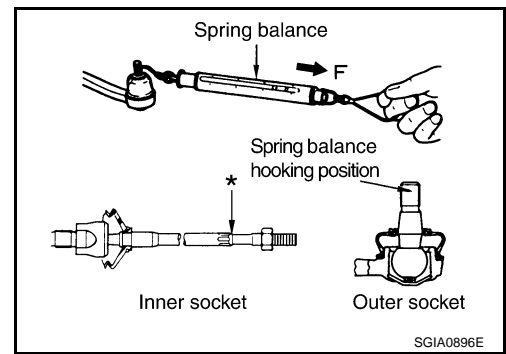
STEERING GEAR AND LINKAGE

< DISASSEMBLY AND ASSEMBLY >

- Hook a spring balance to the ball stud and inner socket measuring point (*) and pull the spring balance. Make sure that the spring balance reads the specified value when ball stud and inner socket start to move. Replace outer socket and steering gear assembly if they are outside the standard.

Tool number : — (J-44372)

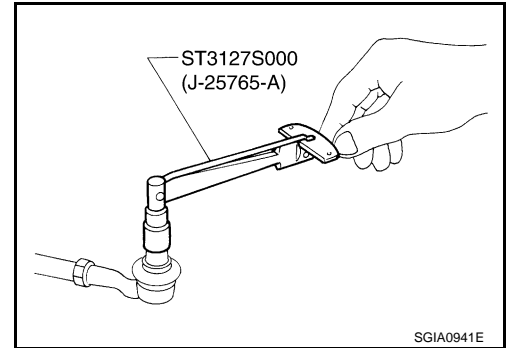
Swinging torque : Refer to [ST-34, "Steering Gear"](#)



- Ball joint rotating torque
- Make sure that the reading is within the following specified range using Tool. Replace outer socket if the reading is outside the specified value.

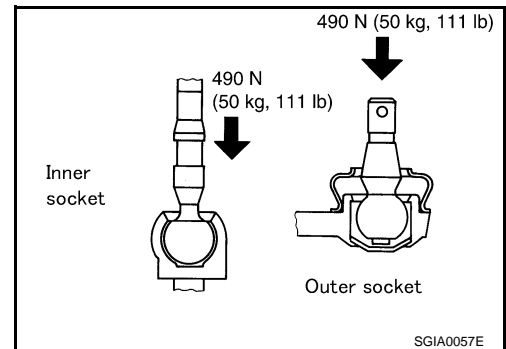
Tool number : ST3127S000 (J-25765-A)

Rotating torque : Refer to [ST-34, "Steering Gear"](#)



- Ball joint axial end play
- Apply an axial load of 490 N (50 kg, 111 lb) to ball stud. Measure amount of stud movement using a dial gauge and then make sure that the value is within the following specified range. Replace outer socket and inner socket if the measured value is outside the standard.

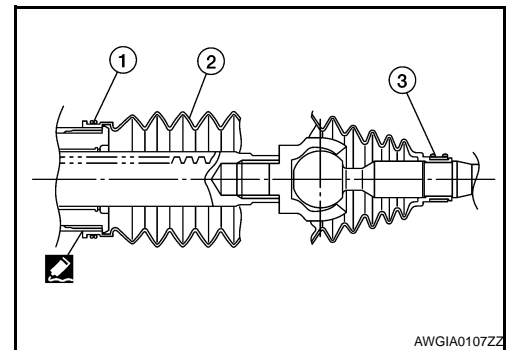
Axial end play : Refer to [ST-34, "Steering Gear"](#)



Assembly

INFOID:000000003895466

1. Apply Three Bond 1111B or equivalent to inner socket and turn pinion fully to retract inner socket into gear housing assembly.
2. Install large end (1) of boot (2) to gear housing assembly.
3. Install small end (3) of boot (2) to inner socket boot mounting groove.



STEERING GEAR AND LINKAGE

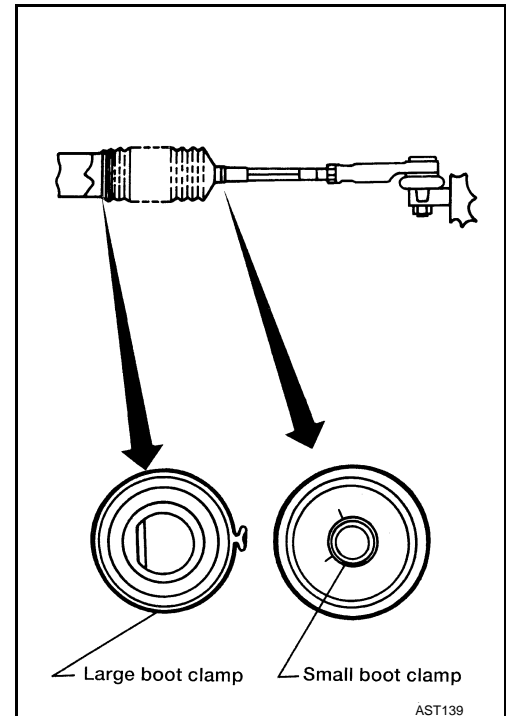
< DISASSEMBLY AND ASSEMBLY >

4. Install boot clamp to boot small end.
5. Install boot clamp to boot large end using Tool.

CAUTION:

Do not reuse boot clamps.

Tool number : KV40107300 (—)

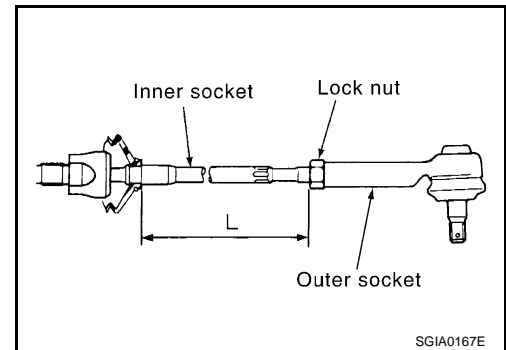


6. Adjust inner socket to standard length (L), and then tighten lock nut to the specified torque. Check length of inner socket (L) again after tightening lock nut. Make sure that the length is the standard.

Inner socket length (L) : Refer to [ST-34, "Steering Gear"](#)

CAUTION:

Adjust toe-in after this procedure. The length achieved after toe-in adjustment is not necessarily the above value.



A
B
C
D
E
F

ST

H
I
J
K

L
M
N
O
P

POWER STEERING OIL PUMP

< DISASSEMBLY AND ASSEMBLY >

POWER STEERING OIL PUMP

Disassembly and Assembly

INFOID:000000004193579

The power steering oil pump and pulley is not serviceable and should be replaced as an assembly. For front and rear bracket removal, refer to [ST-25, "Exploded View"](#).

SERVICE DATA AND SPECIFICATIONS (SDS)

< SERVICE DATA AND SPECIFICATIONS (SDS)

SERVICE DATA AND SPECIFICATIONS (SDS)

SERVICE DATA AND SPECIFICATIONS (SDS)

Steering Wheel

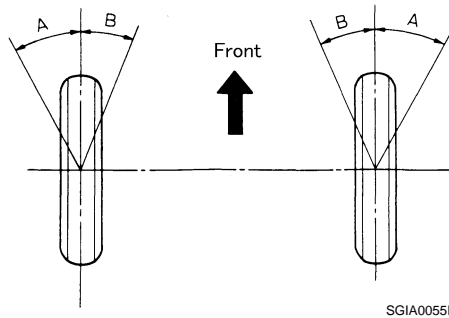
INFOID:000000003895469

Steering wheel axial end play	0 mm (0 in)
Steering wheel play	0 - 35 mm (0 - 1.38 in)
Steering wheel turning force	39 N (4 kg-f, 9 lb-f) or less

Steering Angle

INFOID:000000003895470

Unit: Degree minute (Decimal Degree)



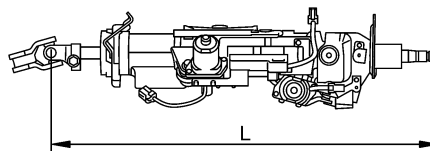
Tire size		P245/45R18	P245/40R19
Inner wheel angle (A)	Minimum	33° 30' (33.5°)	33° 30' (33.5°)
	Nominal	36° 30' (36.5°)	36° 30' (36.5°)
	Maximum	37° 30' (37.5°)	37° 30' (37.5°)
Outer wheel angle (B)	Nominal	31° 0' (31.0°)	31° 0' (31.0°)

Steering Column

INFOID:000000003895471

STEERING COLUMN LENGTH

Unit: mm (in)



Steering column length (L)	Telescopic maximum	513 - 543 (20.20 - 21.38)
	Telescopic minimum	503 - 513 (19.80 - 20.20)

STEERING COLUMN ROTATING TORQUE

Unit: N·m (kg·m, in·lb)

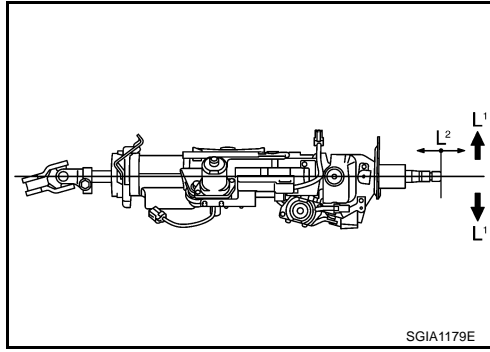
Rotating torque	0 - 0.25 (0 - 0.03, 0 - 2)
-----------------	----------------------------

TILT MECHANISM OPERATING RANGE

SERVICE DATA AND SPECIFICATIONS (SDS)

< SERVICE DATA AND SPECIFICATIONS (SDS)

Unit: mm (in)



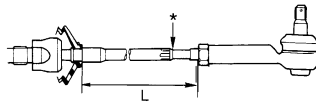
	Without electric motor	With electric motor
Tilt operating range (L ¹)	41 (1.61)	49.63 (1.95)
Telescopic operating range (L ²)	40 (1.57)	40 (1.57)

Steering Gear

INFOID:000000003895472

STEERING OUTER SOCKET AND INNER SOCKET

Steering gear type		PR26AF
Outer socket	Swinging torque	0.1 - 2.9 N·m (0.01 - 0.29 kg·m, 1.0 - 25 in·lb)
	<ul style="list-style-type: none"> • Measurement on spring balance • Measuring point: cotter pin hole of stud 	1.4 - 42.7 N (0.14 - 4.4 kg, 12 - 31 lb)
	Rotating torque	0.3 - 2.9 N·m (0.03 - 0.29 kg·m, 3.0 - 25 in·lb)
	Axial end play	0.5 mm (0.020 in) or less
Inner socket	Swinging torque	0.1 - 7.8 N·m (0.01 - 0.79 kg·m, 1.0 - 69 in·lb)
	<ul style="list-style-type: none"> • Measurement on spring balance • Measuring point at (* mark shown) 	0.8 - 64 N (0.082 - 6.5 kg, 0.18 - 14.4 lb)
	Axial end play	0.2 mm (0.008 in) or less
Inner socket length (L)		119.5 mm (4.705 in) or less

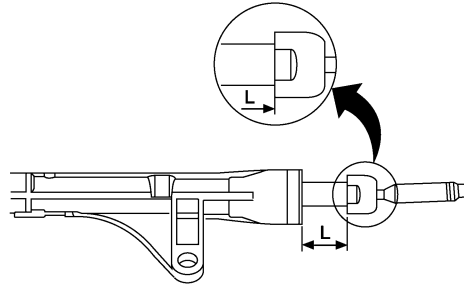


RACK STROKE

SERVICE DATA AND SPECIFICATIONS (SDS)

< SERVICE DATA AND SPECIFICATIONS (SDS)

Steering gear model	PR26AF	
Tire size	P245/45R18	P245/40R19
Rack stroke in neutral position (L)	69.5 mm (2.735 in)	



AWGIA0003GB

RACK SLIDING FORCE

Tire size	P245/45R18	P245/40R19
Rack sliding force	205 - 285 N (20.9 - 29.1 kg, 46.1 - 64.1 lb)	

Oil Pump

INFOID:000000003895473

Relief oil pressure	9,500 - 10,300 kPa (96.87 - 105.03 kg/cm ² , 1,377.85 - 1,493.88 psi)
---------------------	--

Steering Fluid

INFOID:000000003895474

Fluid type and capacity	Refer to MA-17. "FOR NORTH AMERICA : Fluids and Lubricants".
-------------------------	--