

SECTION **SRS**

SUPPLEMENTAL RESTRAINT SYSTEM (SRS)

A
B
C

CONTENTS

D
E

<p>PRECAUTIONS 3</p> <p> Precautions for Supplemental Restraint System (SRS) "AIR BAG" and "SEAT BELT PRE-TENSIONER" 3</p> <p> Precautions for SRS "AIR BAG" and "SEAT BELT PRE-TENSIONER" Service 3</p> <p> Occupant Classification System Precaution 3</p> <p> Trouble Diagnosis Precaution 3</p> <p>PREPARATION 4</p> <p> Special Service Tools 4</p> <p> Commercial Service Tool 4</p> <p>SUPPLEMENTAL RESTRAINT SYSTEM (SRS) 5</p> <p> SRS Configuration 5</p> <p> Front Seat Belt Pre-tensioner with Load Limiter 6</p> <p> Front Side Air Bag 6</p> <p> Side Curtain Air Bag 6</p> <p> Occupant Classification System 6</p> <p> Direct-connect SRS Component Connectors 8</p> <p>TROUBLE DIAGNOSIS 9</p> <p> Trouble Diagnosis Introduction 9</p> <p> DIAGNOSIS FUNCTION 9</p> <p> HOW TO PERFORM TROUBLE DIAGNOSES FOR QUICK AND ACCURATE REPAIR 9</p> <p> WORK FLOW 10</p> <p> SRS Components Parts Location 11</p> <p> Schematic 12</p> <p> Wiring Diagram-SRS- 13</p> <p> CONSULT-II Function (AIR BAG) 19</p> <p> HOW TO CHANGE SELF-DIAGNOSIS MODE WITH CONSULT-II 19</p> <p> HOW TO ERASE SELF-DIAGNOSIS RESULTS.. 20</p> <p> Self-Diagnosis Function (Without CONSULT-II) 20</p> <p> HOW TO CHANGE SELF-DIAGNOSIS MODE.. 20</p> <p> HOW TO ERASE SELF-DIAGNOSIS RESULTS.. 21</p> <p> SRS Operation Check 21</p> <p> DIAGNOSTIC PROCEDURE 1 21</p> <p> Trouble Diagnosis With CONSULT-II 23</p> <p> DIAGNOSTIC PROCEDURE 2 23</p> <p> DIAGNOSTIC PROCEDURE 3 28</p>	<p> DIAGNOSTIC PROCEDURE 4 (CONTINUED FROM DIAGNOSTIC PROCEDURE 2) 30</p> <p> DIAGNOSTIC PROCEDURE 5 30</p> <p> Trouble Diagnosis Without CONSULT-II 36</p> <p> DIAGNOSTIC PROCEDURE 6 36</p> <p> WARNING LAMP FLASH CODE CHART 37</p> <p> Trouble Diagnosis: "AIR BAG" Warning Lamp Does Not Turn Off 41</p> <p> DIAGNOSTIC PROCEDURE 6 41</p> <p> Trouble Diagnosis: "AIR BAG" Warning Lamp Does Not Turn On 42</p> <p> DIAGNOSTIC PROCEDURE 7 42</p> <p>DRIVER AIR BAG MODULE 43</p> <p> Removal and Installation 43</p> <p> REMOVAL 43</p> <p> INSTALLATION 44</p> <p>SPIRAL CABLE 45</p> <p> Removal and Installation 45</p> <p> REMOVAL 45</p> <p> INSTALLATION 46</p> <p>FRONT PASSENGER AIR BAG MODULE 47</p> <p> Removal and Installation 47</p> <p> REMOVAL 47</p> <p> INSTALLATION 47</p> <p>SIDE CURTAIN AIR BAG MODULE 48</p> <p> Removal and Installation 48</p> <p> REMOVAL 48</p> <p> INSTALLATION 49</p> <p>CRASH ZONE SENSOR 50</p> <p> Removal and Installation 50</p> <p> REMOVAL 50</p> <p> INSTALLATION 50</p> <p>SIDE AIR BAG (SATELLITE) SENSOR 51</p> <p> Removal and Installation 51</p> <p> REMOVAL 51</p> <p> INSTALLATION 51</p> <p>FRONT SEAT BELT PRE-TENSIONER 52</p> <p> Removal and Installation 52</p>
--	--

F
G

SRS

I
J

K
L

M

DIAGNOSIS SENSOR UNIT	53	COLLISION DIAGNOSIS	55
Removal and Installation	53	For Frontal Collision	55
REMOVAL	53	SRS INSPECTION (FOR FRONTAL COLLI-	
INSTALLATION	53	SION)	55
ECU DISCRIMINATED NO.	53	For Side Collision	56
OCCUPANT CLASSIFICATION SYSTEM CON-		SRS INSPECTION (FOR SIDE COLLISION)	56
TROL UNIT	54		
Removal and Installation	54		

PRECAUTIONS

PRECAUTIONS

PF0:00001

Precautions for Supplemental Restraint System (SRS) “AIR BAG” and “SEAT BELT PRE-TENSIONER”

EHS00116

The Supplemental Restraint System such as “AIR BAG” and “SEAT BELT PRE-TENSIONER”, used along with a front seat belt, helps to reduce the risk or severity of injury to the driver and front passenger for certain types of collision. This system includes seat belt switch inputs and dual stage front air bag modules. The SRS system uses the seat belt switches to determine the front air bag deployment, and may only deploy one front air bag, depending on the severity of a collision and whether the front occupants are belted or unbelted. Information necessary to service the system safely is included in the SRS and SB section of this Service Manual.

WARNING:

- To avoid rendering the SRS inoperative, which could increase the risk of personal injury or death in the event of a collision which would result in air bag inflation, all maintenance must be performed by an authorized NISSAN/INFINITI dealer.
- Improper maintenance, including incorrect removal and installation of the SRS, can lead to personal injury caused by unintentional activation of the system. For removal of Spiral Cable and Air Bag Module, see the SRS section.
- Do not use electrical test equipment on any circuit related to the SRS unless instructed to in this Service Manual. SRS wiring harnesses can be identified by yellow and/or orange harnesses or harness connectors.

Precautions for SRS “AIR BAG” and “SEAT BELT PRE-TENSIONER” Service

EHS00117

- Do not use electrical test equipment to check SRS circuits unless instructed to in this Service Manual.
- Before servicing the SRS, turn ignition switch OFF, disconnect both battery cables and wait at least 3 minutes.
For approximately 3 minutes after the cables are removed, it is still possible for the air bag and seat belt pre-tensioner to deploy. Therefore, do not work on any SRS connectors or wires until at least 3 minutes have passed.
- The air bag diagnosis sensor unit must always be installed with the arrow mark “←” pointing toward the front of the vehicle for proper operation. Also check air bag diagnosis sensor unit for cracks, deformities or rust before installation and replace as required.
- The spiral cable must be aligned with the neutral position since its rotations are limited. Do not attempt to turn steering wheel or column after removal of steering gear.
- Handle air bag module carefully. Always place driver and front passenger air bag modules with the pad side facing upward and seat mounted front side air bag module standing with the stud bolt side facing down.
- Conduct self-diagnosis to check entire SRS for proper function after replacing any components.
- After air bag inflates, the front instrument panel assembly should be replaced if damaged.

SRS

Occupant Classification System Precaution

EHS0013C

Replace control unit and passenger front seat cushion as an assembly.

Trouble Diagnosis Precaution

EHS001L9

When you read wiring diagrams, refer to the following:

- [GI-13, "How to Read Wiring Diagrams"](#) in GI section
- [PG-4, "POWER SUPPLY ROUTING CIRCUIT"](#) in PG section

When you perform trouble diagnosis, refer to the following:

- [GI-10, "HOW TO FOLLOW TEST GROUPS IN TROUBLE DIAGNOSES"](#) in GI section
- [GI-25, "How to Perform Efficient Diagnosis for an Electrical Incident"](#) in GI section

Check for any service bulletins before servicing the vehicle.

PREPARATION


PREPARATION

PFP:00002

Special Service Tools

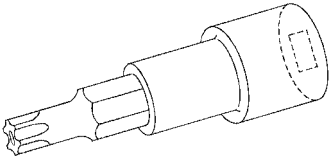
EHS00119

The actual shapes of Kent-Moore tools may differ from those of special service tools illustrated here.

Tool number (Kent-Moore No.) Tool name	Description
— (J-44615) Air bag lock master key set  LRS210	Removing and installing air bag lock

Commercial Service Tool

EHS0011A

Tool name	Description
Tamper resistant TORX socket  S-NT757	Size: T30

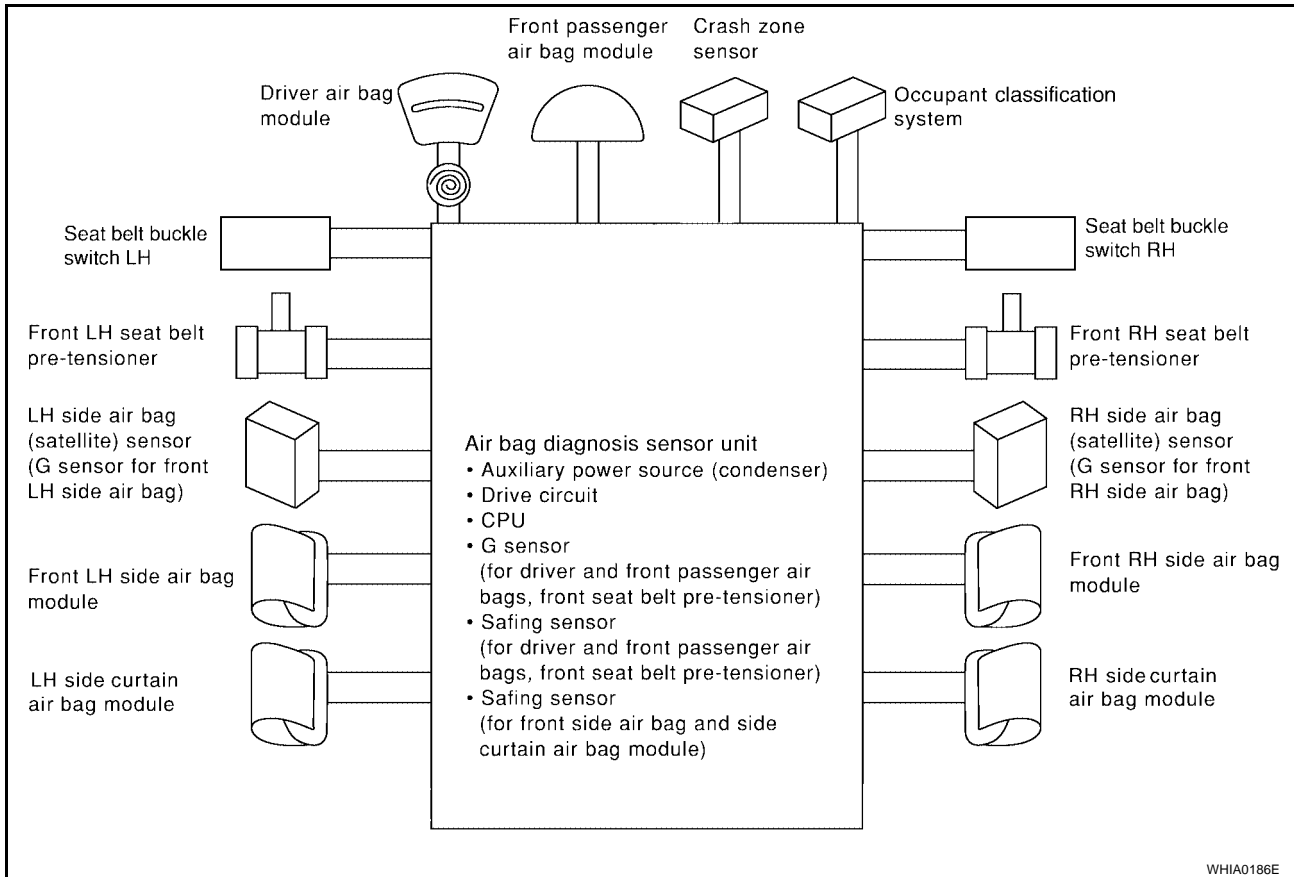
SUPPLEMENTAL RESTRAINT SYSTEM (SRS)

SUPPLEMENTAL RESTRAINT SYSTEM (SRS)

PF2:28556

SRS Configuration

EHS0011B



The air bag deploys if the air bag diagnosis sensor unit is activated while the ignition switch is in the ON or START position.

The collision modes for which supplemental restraint systems are activated are different among the SRS systems. For example, the driver air bag module, front passenger air bag module and front seat belt pre-tensioners are activated in a frontal collision but not in a side collision.

SRS configurations for some collision modes are as follows:

SRS configuration	Frontal collision	Left side collision	Right side collision
Driver air bag module	×	—	—
Front passenger air bag module	×	—	—
Front LH seat belt pre-tensioner	×	—	—
Front RH seat belt pre-tensioner	×	—	—
Front LH side air bag module	—	×	—
Front RH side air bag module	—	—	×
LH side curtain air bag module	—	×	—
RH side curtain air bag module	—	—	×

SUPPLEMENTAL RESTRAINT SYSTEM (SRS)

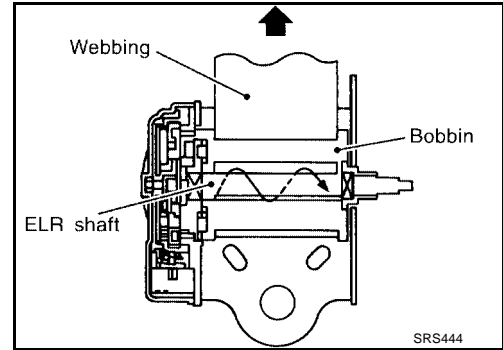
Front Seat Belt Pre-tensioner with Load Limiter

EHS0011C

The seat belt pre-tensioner system with load limiter is installed for both the driver's seat and the front passenger's seat. It operates simultaneously with the SRS air bag system in the event of a frontal collision with an impact exceeding a specified level.

When the frontal collision with an impact exceeding a specified level occurs, seat belt slack resulting from clothing or other factors is immediately taken up by the pre-tensioner. Vehicle passengers are securely restrained.

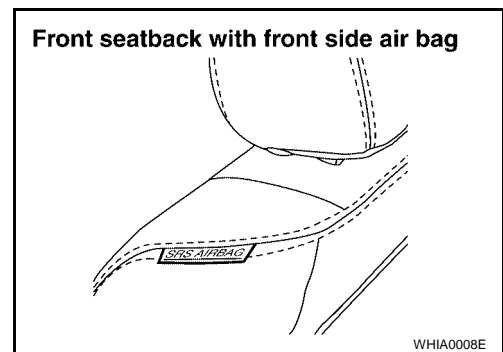
When passengers in a vehicle are thrown forward in a collision and the restraining force of the seat belt exceeds a specified level, the load limiter permits the specified extension of the seat belt by the twisting of the ELR shaft, and a relaxation of the chest-area seat belt web tension while maintaining force.



Front Side Air Bag

EHS0011D

Front side air bag modules are built into the front seatback assemblies. Vehicles with side air bags are equipped with labels as shown.



Side Curtain Air Bag

EHS0011E

Side curtain air bag modules are located above the vehicle headlining. Vehicles with side curtain air bags are equipped with labels as shown.



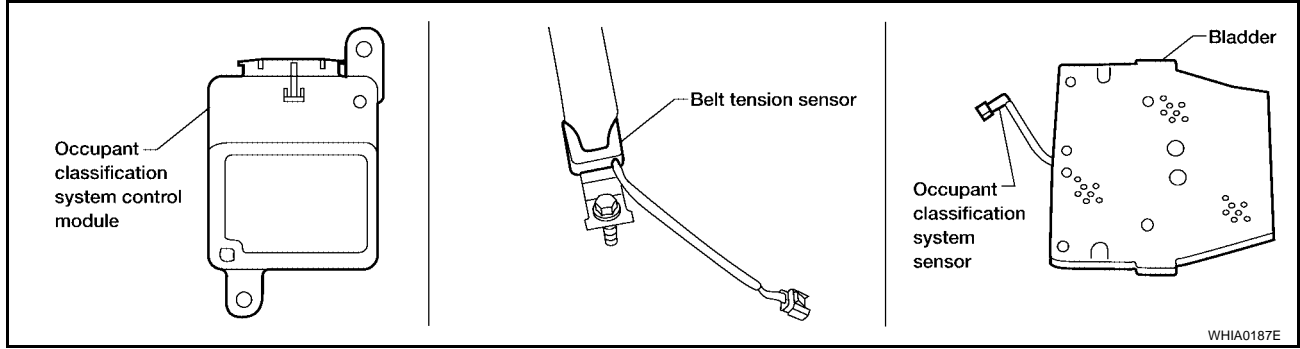
Occupant Classification System

EHS0013D

The occupant classification system identifies different size occupants, out of position occupants, and detects if child seat is present in the front passenger seat. The occupant classification system receives inputs from the occupant classification system sensor (located inside the passenger seat cushion assembly) and belt tension sensor (part of the passenger front seat belt assembly and located at the belt anchor location). Depending on classification of the passenger, the occupant classification system sends a signal to the air bag diagnosis sensor unit. The air bag diagnosis sensor unit uses this signal to determine deployment or non deployment of passenger front air bag in the event of a collision. Depending on the signal received, the air bag diagnosis sensor

SUPPLEMENTAL RESTRAINT SYSTEM (SRS)

unit can disable the passenger front air bag completely. If this occurs the air bag diagnosis sensor unit will turn on the PASS AIR BAG OFF indicator.



A
B
C
D
E
F
G
I
J
K
L
M

SRS

SUPPLEMENTAL RESTRAINT SYSTEM (SRS)

EHS0011F

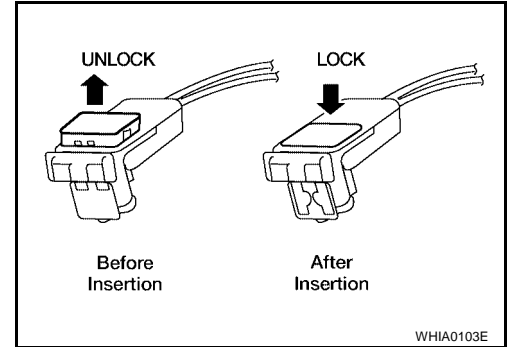
Direct-connect SRS Component Connectors

The following SRS components use direct-connect style harness connectors.

- Driver air bag module
- LH side curtain air bag module
- RH side curtain air bag module
- Front LH seat belt pre-tensioner
- Front RH seat belt pre-tensioner

Always pull up to release black locking tab prior to removing connector from SRS component.

Always push down to lock black locking tab after installing connector to SRS component. When locked, the black locking tab is level with the connector housing.



TROUBLE DIAGNOSIS

PFP:00004

TROUBLE DIAGNOSIS

Trouble Diagnosis Introduction

EHS0011G

CAUTION:

- Do not use electrical test equipment on any circuit related to the SRS unless instructed to do so in this Service Manual.
- Do not attempt to repair, splice or modify SRS wiring harnesses. If a harness is damaged, replace it with a new one.
- Keep ground connections clean.

DIAGNOSIS FUNCTION

The SRS self-diagnosis results can be read by using "AIR BAG" warning lamp and/or CONSULT-II. The User mode is exclusively prepared for the customer (driver). This mode warns the driver of a system malfunction through the operation of the "AIR BAG" warning lamp. The Diagnosis mode allows the technician to locate and inspect the malfunctioning part. The mode applications for the "AIR BAG" warning lamp and CONSULT-II are as follows:

	User mode	Diagnosis mode	Display type
"AIR BAG" warning lamp	X	X	ON-OFF operation
CONSULT-II	—	X	Monitoring

HOW TO PERFORM TROUBLE DIAGNOSES FOR QUICK AND ACCURATE REPAIR

A good understanding of the malfunction conditions can make troubleshooting faster and more accurate. In general, each customer feels differently about a malfunction. It is important to fully understand the symptoms or conditions for a customer complaint.

Information From Customer

WHAT - Vehicle model
WHEN - Date, Frequencies
WHERE - Road conditions
HOW - Operating conditions, Symptoms

Preliminary Check

Check that the following parts are in good order.

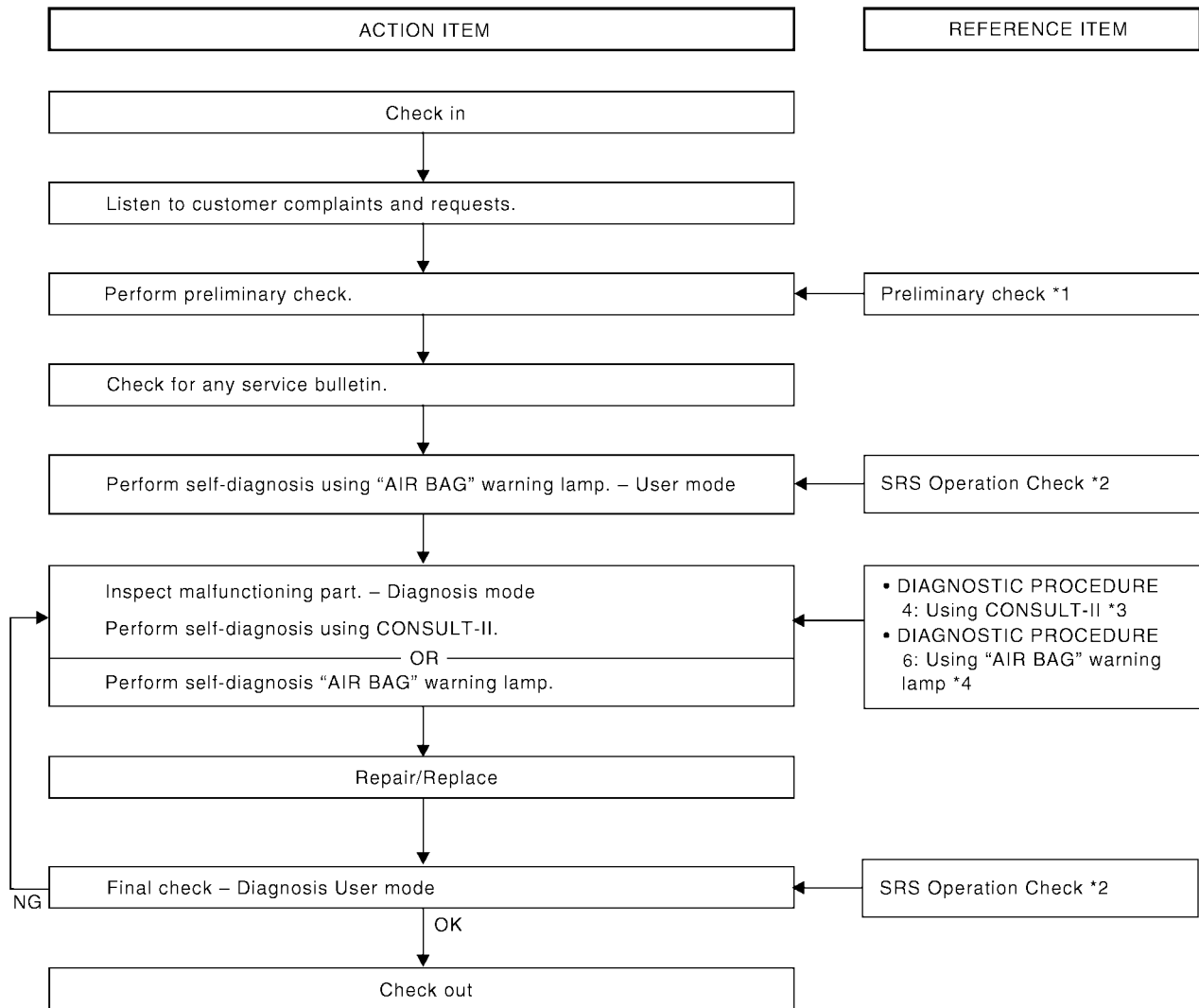
- Battery (Refer to [SC-4, "How to Handle Battery"](#) .)
- Fuse (Refer to [SRS-12, "Schematic"](#) .)
- System component-to-harness connections

A
B
C
D
E
F
G
I
J
K
L
M

SRS

TROUBLE DIAGNOSIS

WORK FLOW



*1: [SRS-9](#)

*2: [SRS-21](#)

*3: [SRS-30](#)

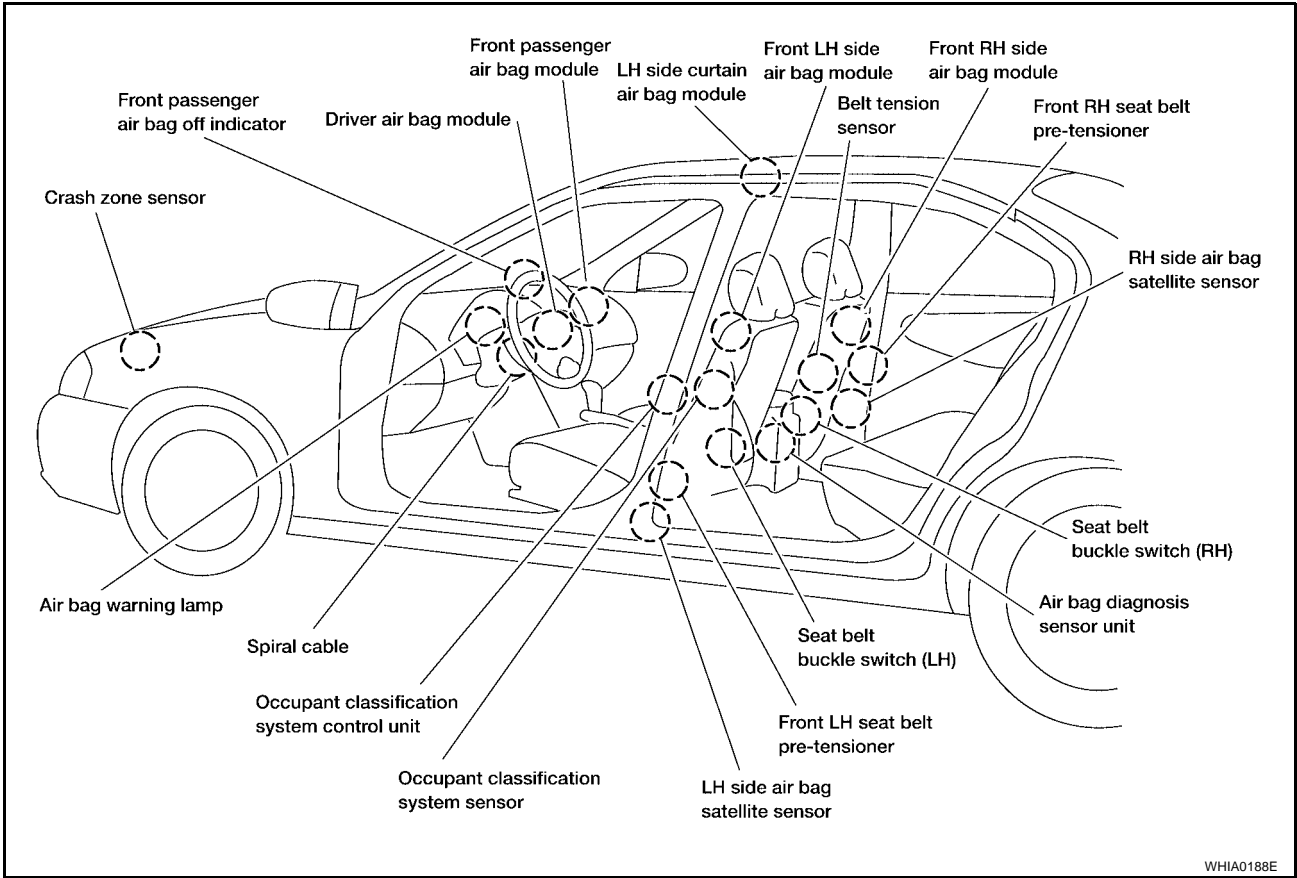
*4: [SRS-30](#)

WHIA0098E

TROUBLE DIAGNOSIS

SRS Components Parts Location

EHS0011H



WHIA0188E

A
B
C
D
E
F
G
I
J
K
L
M

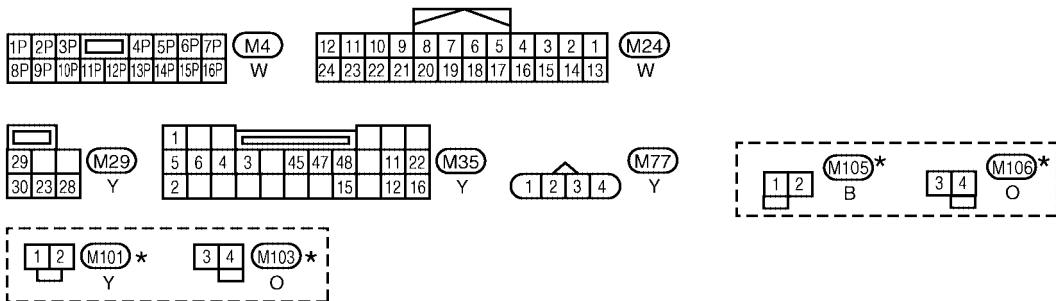
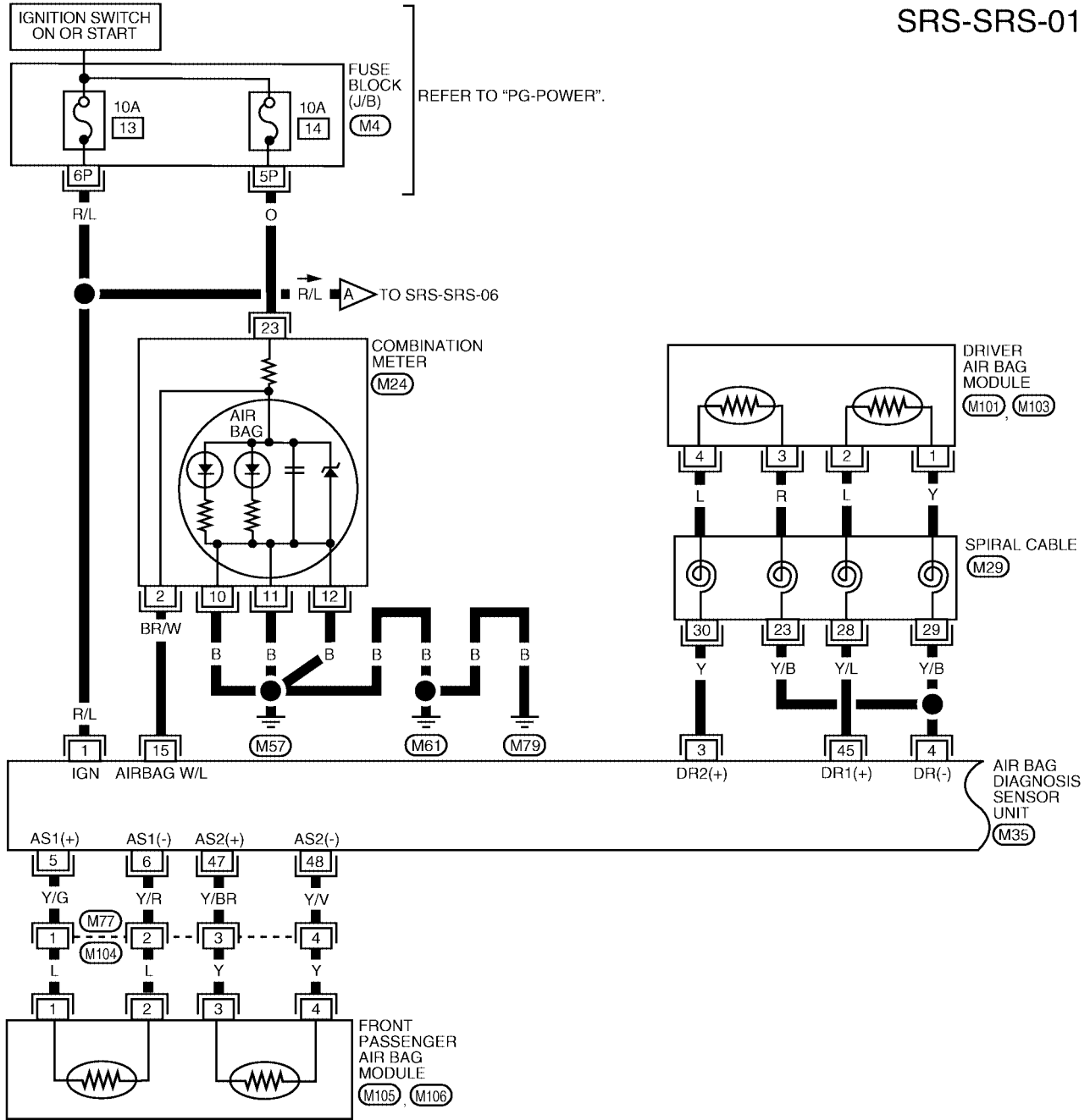
SRS

TROUBLE DIAGNOSIS

EHS0011J

Wiring Diagram-SRS-

SRS-SRS-01

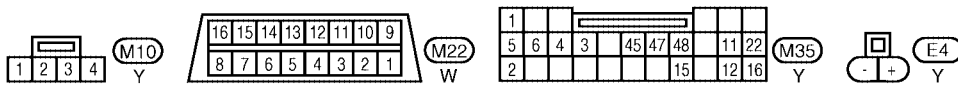
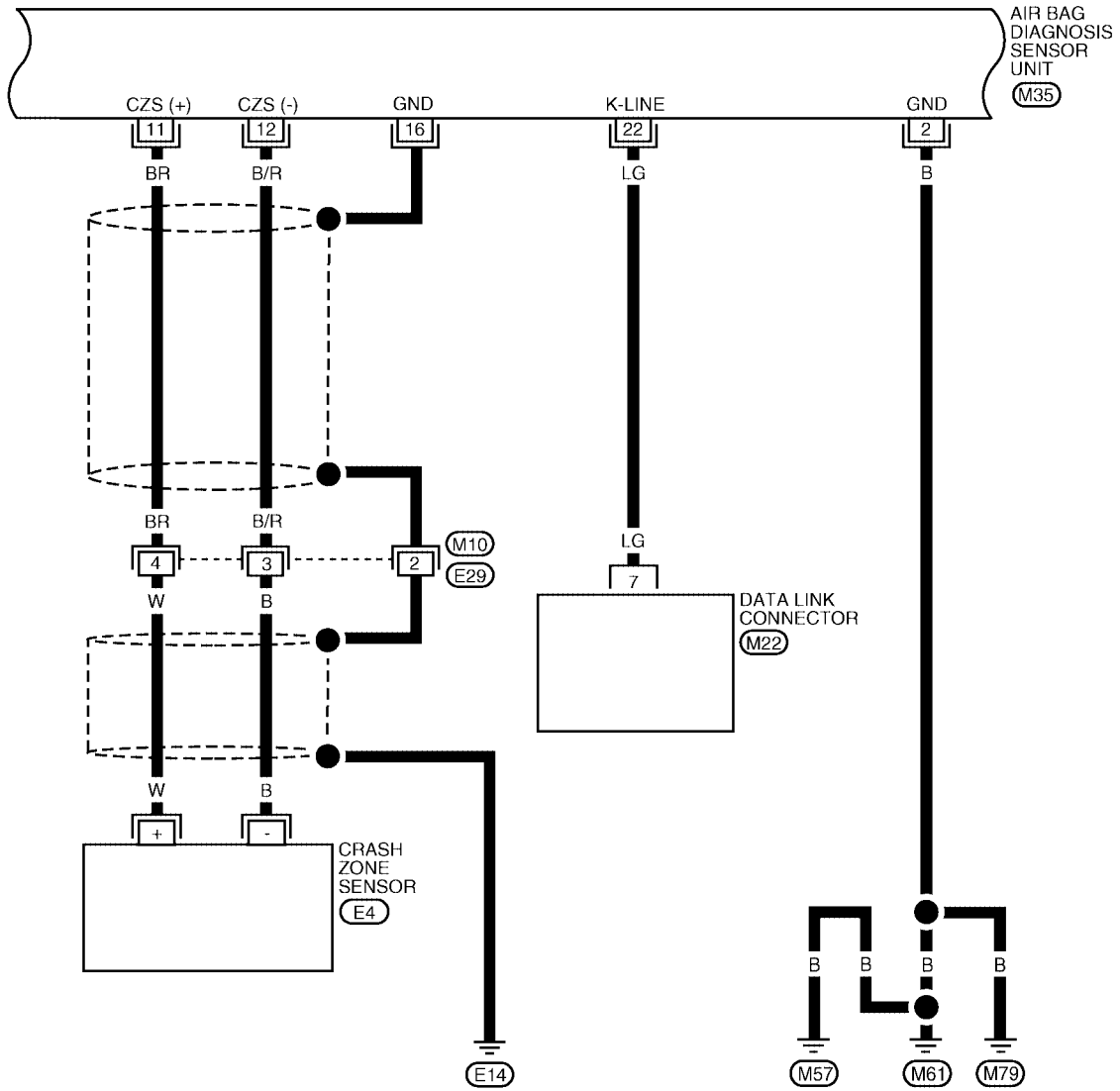


*: THIS CONNECTOR IS NOT SHOWN IN "HARNESS LAYOUT" OF PG SECTION.

WHWA0088E

TROUBLE DIAGNOSIS

SRS-SRS-02

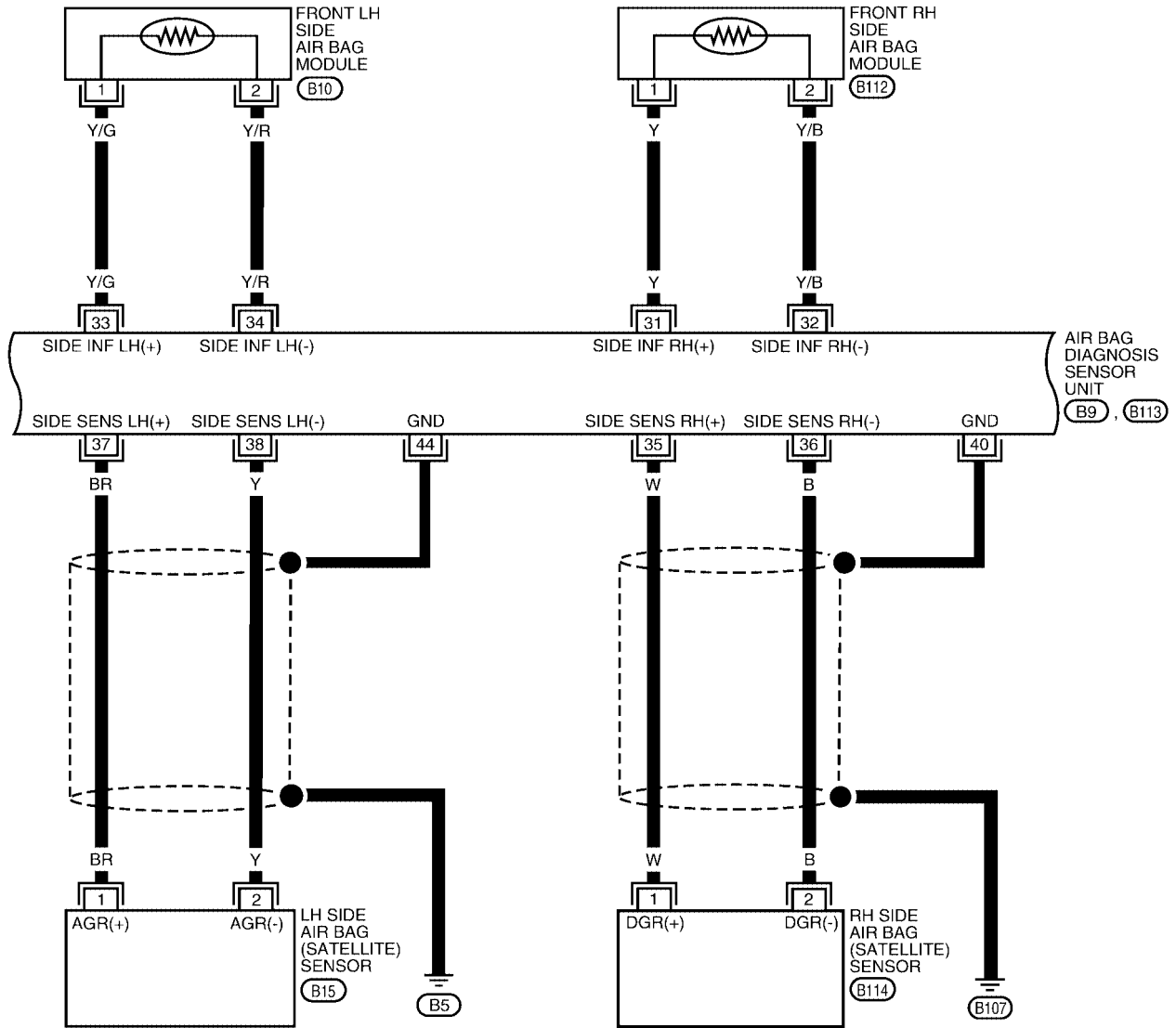


WHWA0089E

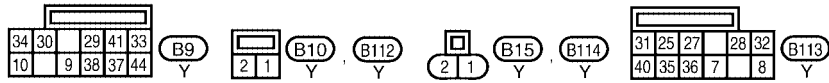
TROUBLE DIAGNOSIS

SRS-SRS-03

A
B
C
D
E
F
G
H
I
J
K
L
M



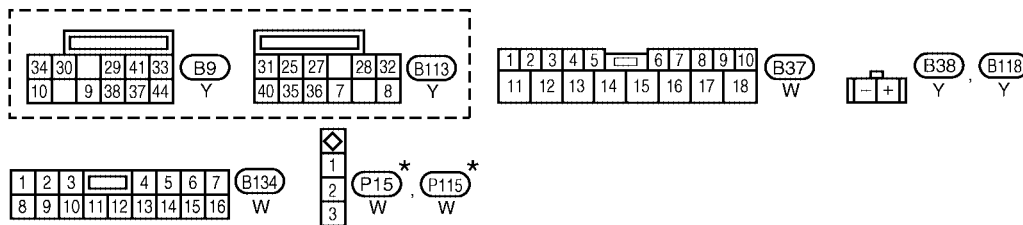
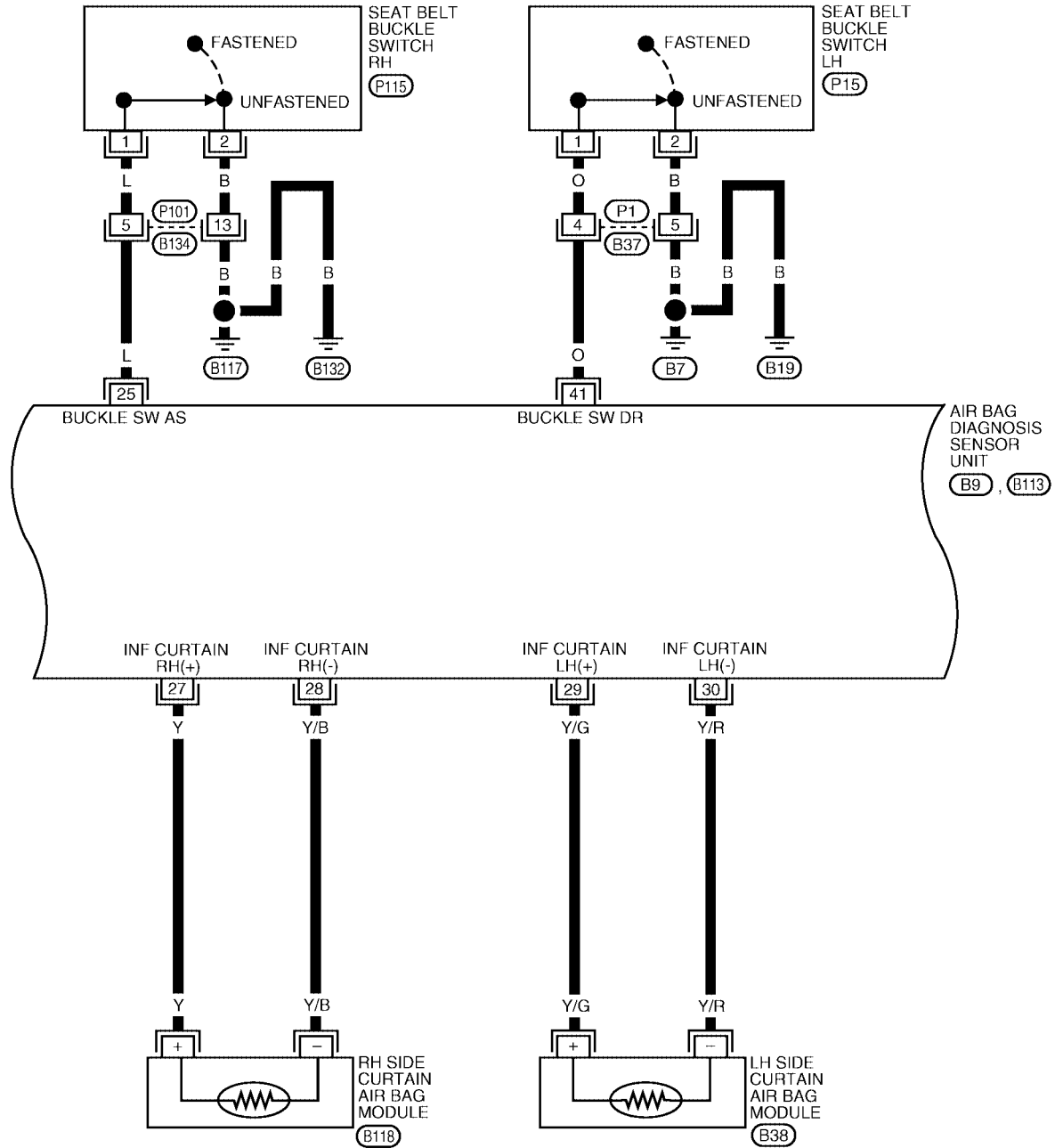
SRS



WHWA0036E

TROUBLE DIAGNOSIS

SRS-SRS-04

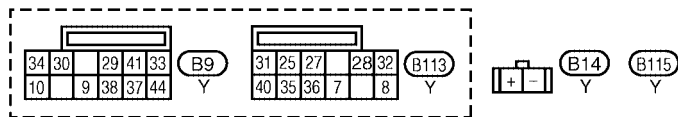
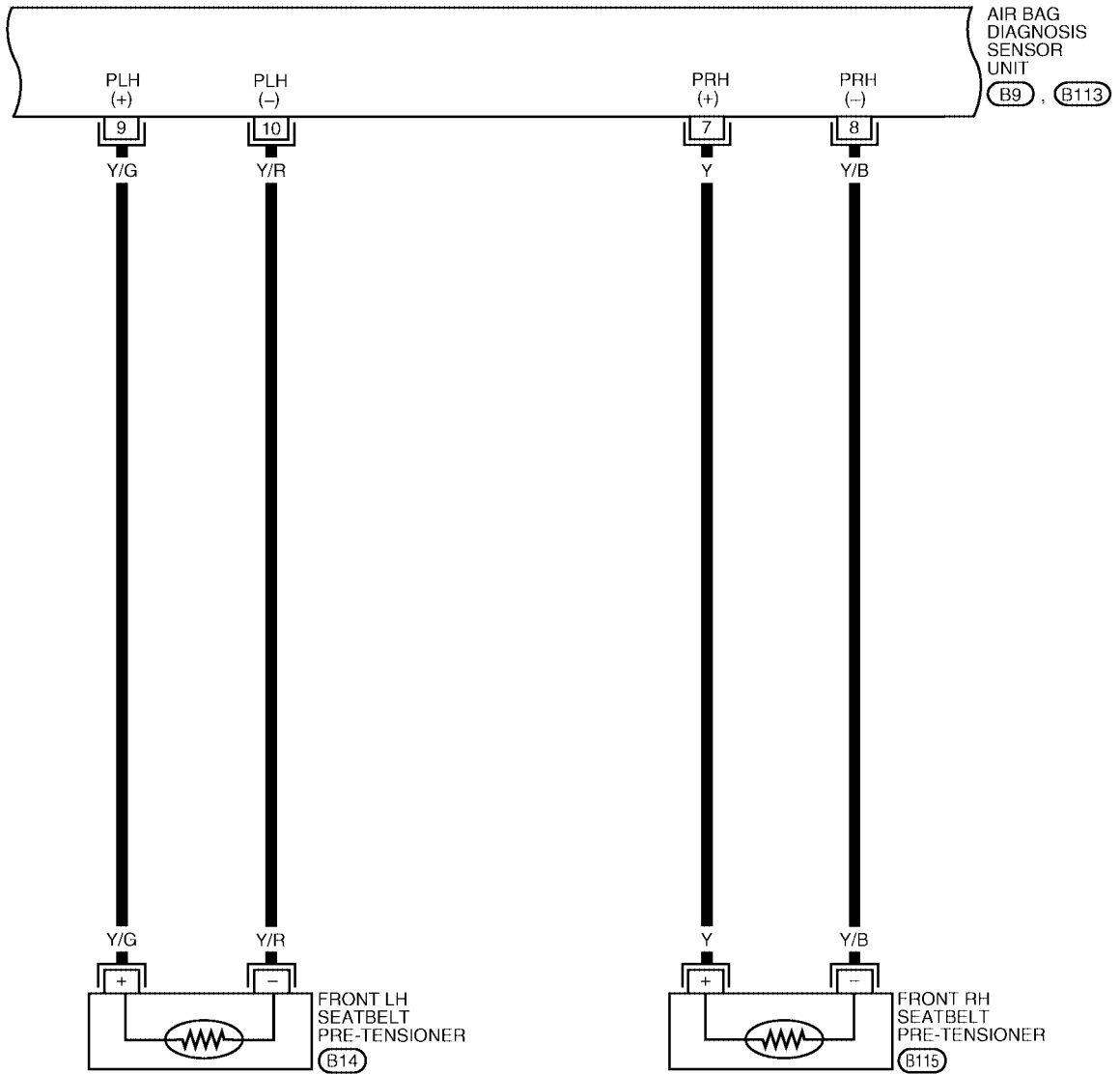


*: THIS CONNECTOR IS NOT SHOWN IN "HARNESS LAYOUT" OF PG SECTION.

WHWA0090E

TROUBLE DIAGNOSIS

SRS-SRS-05

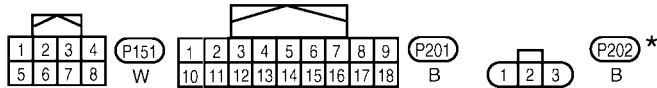
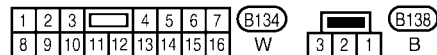
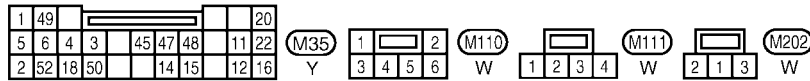
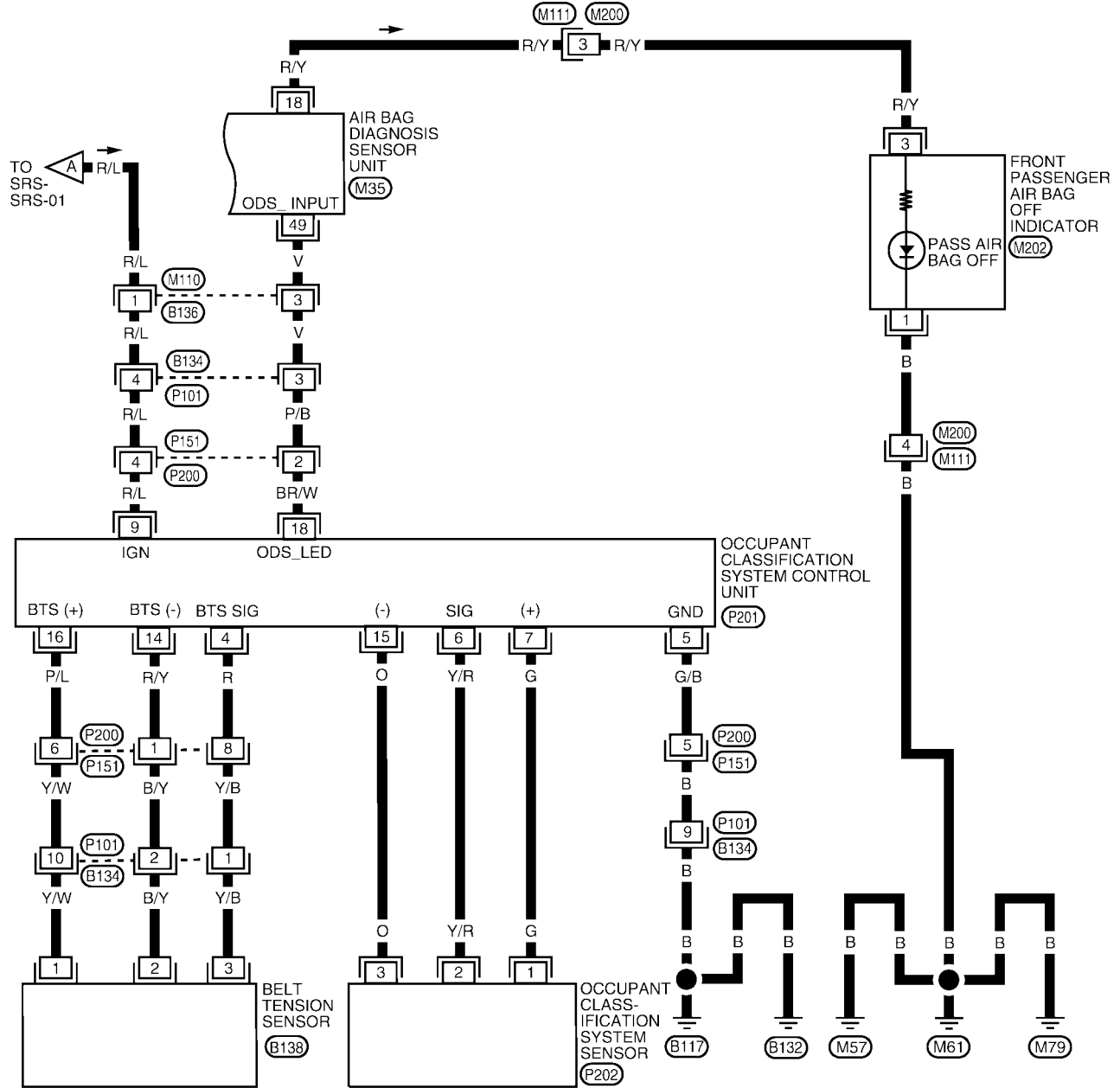


A
B
C
D
E
F
G
SRS
I
J
K
L
M

WHWA0091E

TROUBLE DIAGNOSIS

SRS-SRS-06



*: THIS CONNECTOR IS NOT SHOWN IN "HARNESS LAYOUT" OF PG SECTION.

WHWA0092E

TROUBLE DIAGNOSIS

EHS0011K

CONSULT-II Function (AIR BAG)

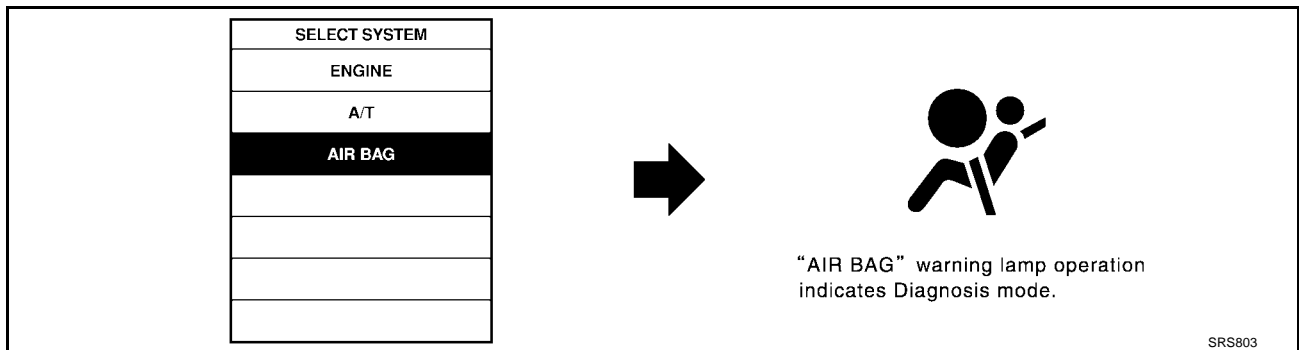
CONSULT-II can display each diagnostic item using the diagnostic test modes shown following.

AIR BAG diagnostic mode	Description												
SELF-DIAG [CURRENT]	A current Self-diagnosis result (also indicated by the number of warning lamp flashes in the Diagnosis mode) is displayed on the CONSULT-II screen in real time. This refers to a malfunctioning part requiring repairs.												
SELF-DIAG [PAST]	Diagnosis results previously stored in the memory are displayed on the CONSULT-II screen. The stored results will remain until memory erasing is executed.												
TROUBLE DIAG RECORD	With TROUBLE DIAG RECORD, diagnosis results previously erased by a reset operation can be displayed on the CONSULT-II screen.												
ECU DISCRIMINATED NO.	<p>The air bag diagnosis sensor unit for each vehicle model is assigned with its own, individual classification number. This number will be displayed on the CONSULT-II screen, as shown. When replacing the air bag diagnosis sensor unit, refer to the part number for the compatibility. After installation, replacement with a correct unit can be checked by confirming this classification number on the CONSULT-II screen.</p> <p>For NISSAN MODEL A34 the air bag diagnosis sensor unit discriminated number assigned is F620.</p> <div style="border: 1px solid black; padding: 5px; width: fit-content; margin-left: auto; margin-right: auto;"> <table style="width: 100%; border-collapse: collapse;"> <tr> <td colspan="3" style="text-align: center; padding: 2px;">ECU DISCRIMINATED NO.</td> </tr> <tr> <td colspan="3" style="text-align: center; padding: 2px;">ECU No. XXXX</td> </tr> <tr> <td colspan="3" style="text-align: center; padding: 2px;">PRINT</td> </tr> <tr> <td style="text-align: center; padding: 2px;">BACK</td> <td style="text-align: center; padding: 2px;">LIGHT</td> <td style="text-align: center; padding: 2px;">COPY</td> </tr> </table> <p style="text-align: right; font-size: small; margin-top: 0;">ARS366</p> </div>	ECU DISCRIMINATED NO.			ECU No. XXXX			PRINT			BACK	LIGHT	COPY
ECU DISCRIMINATED NO.													
ECU No. XXXX													
PRINT													
BACK	LIGHT	COPY											

Ⓢ HOW TO CHANGE SELF-DIAGNOSIS MODE WITH CONSULT-II

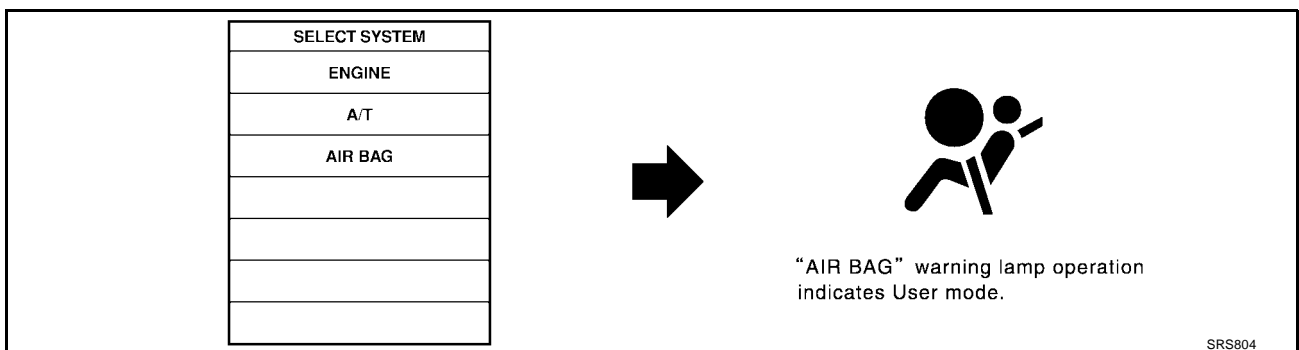
From User Mode to Diagnosis Mode

After selecting "AIR BAG" on the "SELECT SYSTEM" screen, User mode automatically changes to Diagnosis mode.



From Diagnosis Mode to User Mode

To return to User mode from Diagnosis mode, touch "BACK" key of CONSULT-II until "SELECT SYSTEM" appears, Diagnosis mode automatically changes to User mode.

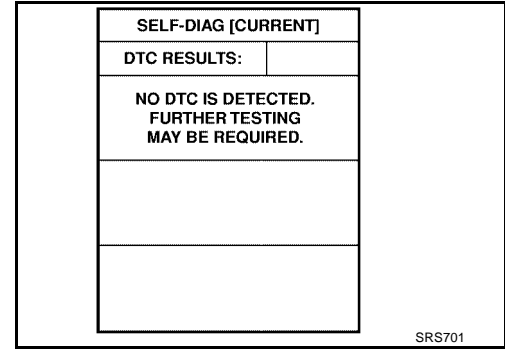


TROUBLE DIAGNOSIS

HOW TO ERASE SELF-DIAGNOSIS RESULTS

- “SELF-DIAG [CURRENT]”

A current self-diagnosis result is displayed on the CONSULT-II screen in real time.
After the malfunction is repaired completely, no malfunction is detected on “SELF-DIAG [CURRENT]”.

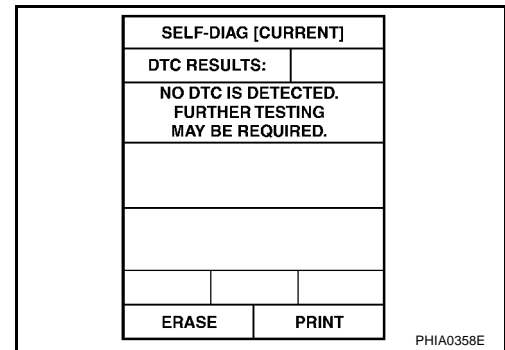


- “SELF-DIAG [PAST]”

Return to the “SELF-DIAG [CURRENT]” CONSULT-II screen by touching “BACK” key of CONSULT-II and select “SELF-DIAG [CURRENT]” in SELECT DIAG MODE. Touch “ERASE” in “SELF-DIAG [CURRENT]” mode.

NOTE:

If the memory of the malfunction in “SELF-DIAG [PAST]” is not erased, the User mode will continue to show the system malfunction by the operation of the warning lamp even if the malfunction is repaired completely.



- “TROUBLE DIAG RECORD”

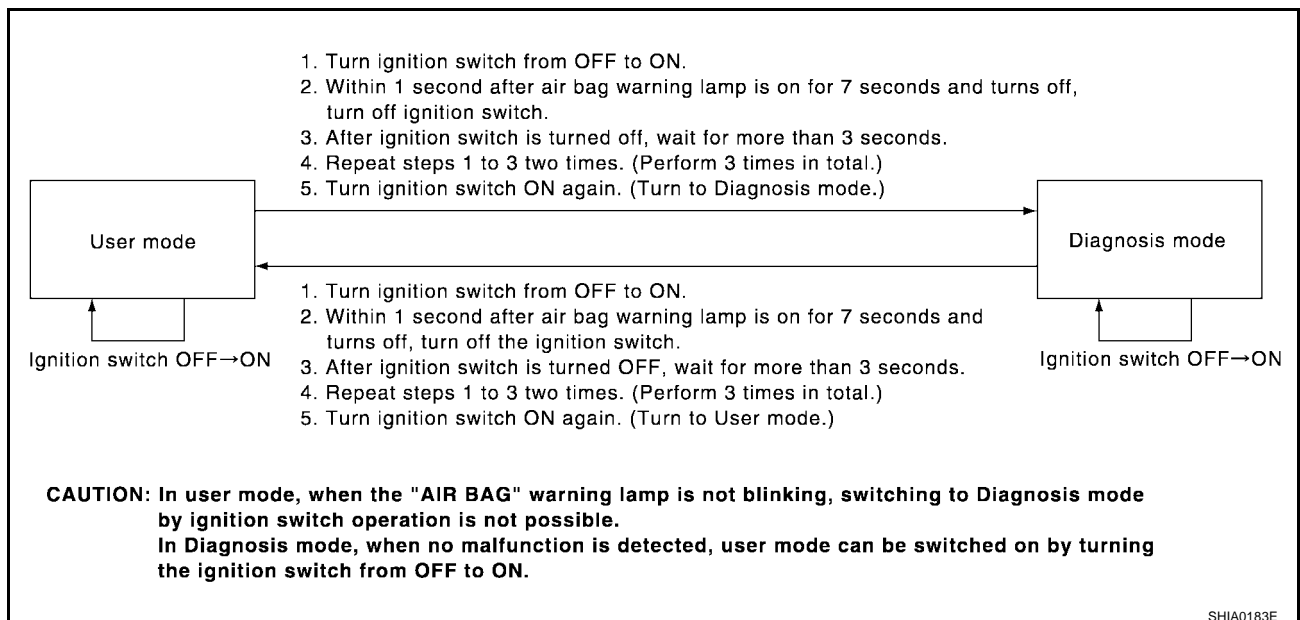
The memory of “TROUBLE DIAG RECORD” cannot be erased.

Self-Diagnosis Function (Without CONSULT-II)

EHS0011L

- The reading of these results is accomplished using one of two modes — “User mode” and “Diagnosis mode”.
- After a malfunction is repaired, turn the ignition switch OFF for at least one second, then back ON. Diagnosis mode returns to the User mode. At that time, the self-diagnostic result is cleared.

HOW TO CHANGE SELF-DIAGNOSIS MODE



TROUBLE DIAGNOSIS

HOW TO ERASE SELF-DIAGNOSIS RESULTS

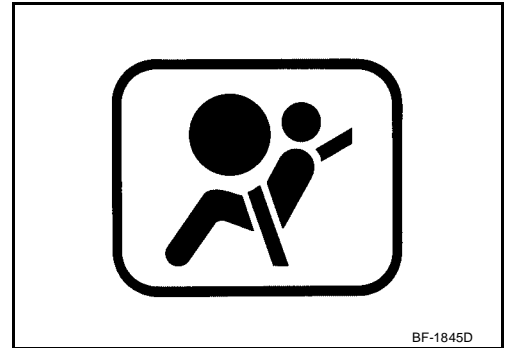
After a malfunction is repaired, turn the ignition switch OFF for at least one second, then back ON. Diagnosis mode returns to the User mode. At that time, the self-diagnostic result is cleared.

SRS Operation Check DIAGNOSTIC PROCEDURE 1

EHS0011M

Checking SRS Operation Using “AIR BAG” Warning Lamp—User Mode

1. Turn the ignition switch from OFF to ON, and check that the air bag warning lamp blinks.
2. Compare the SRS air bag warning lamp blinking pattern with the examples.

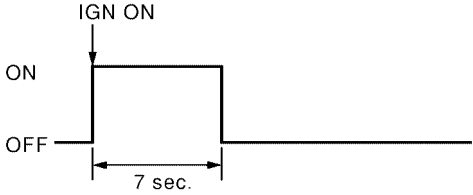
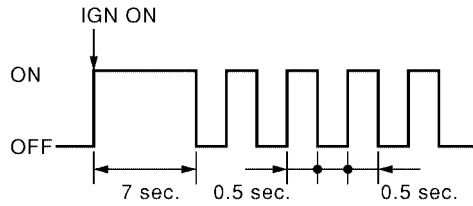
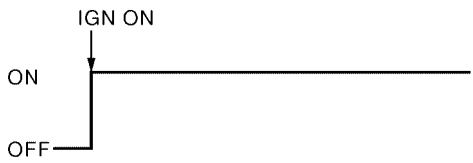
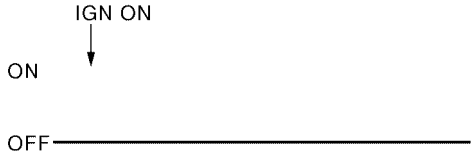


A
B
C
D
E
F
G
I
J
K
L
M

SRS

TROUBLE DIAGNOSIS

Warning lamp examples

"AIR BAG" warning lamp operation-User mode-	SRS condition	Reference item
 <p style="text-align: right;">SHIA0011E</p>	<ul style="list-style-type: none"> ● No malfunction is detected. ● No further action is necessary. 	—
 <p style="text-align: right;">SHIA0012E</p>	<ul style="list-style-type: none"> ● The system is malfunctioning and needs to be repaired as indicated. 	<p>Go to SRS-23. "DIAGNOSTIC PROCEDURE 2" or SRS-36. "DIAGNOSTIC PROCEDURE 6" .</p>
 <p style="text-align: right;">SHIA0013E</p>	<ul style="list-style-type: none"> ● Air bag is deployed. ● Seat belt pre-tensioner is deployed. ● Air bag diagnosis sensor unit is malfunctioning. ● Air bag power supply circuit is malfunctioning. ● SRS air bag warning lamp circuit is malfunctioning. 	<p>Go to SRS-55. "COLLISION DIAGNOSIS" .</p> <p>Go to SRS-41. "Trouble Diagnosis: "AIR BAG" Warning Lamp Does Not Turn Off" .</p>
 <p style="text-align: right;">SHIA0014E</p>	<ul style="list-style-type: none"> ● Air bag diagnosis sensor unit is malfunctioning. ● Air bag warning lamp circuit is malfunctioning. 	<p>Go to SRS-42. "Trouble Diagnosis: "AIR BAG" Warning Lamp Does Not Turn On" .</p>

TROUBLE DIAGNOSIS

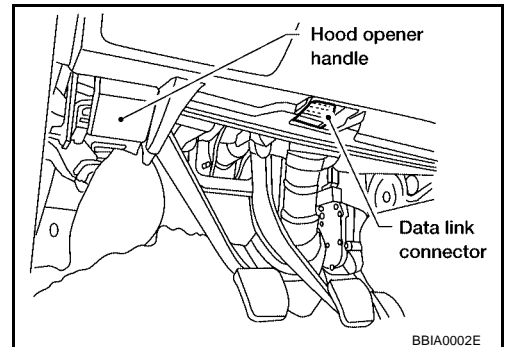
EHS0011N

Trouble Diagnosis With CONSULT-II DIAGNOSTIC PROCEDURE 2

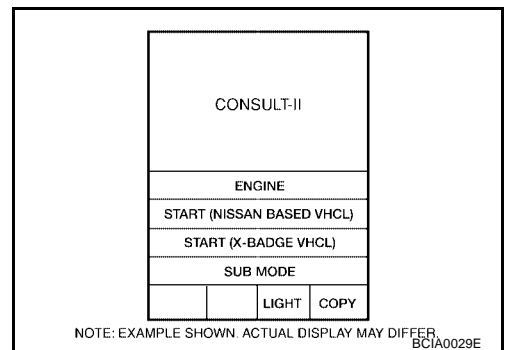
CAUTION:

If CONSULT-II is used with no connection of CONSULT-II CONVERTER, malfunction might be detected in self-diagnosis depending on control unit which carries out CAN communication.

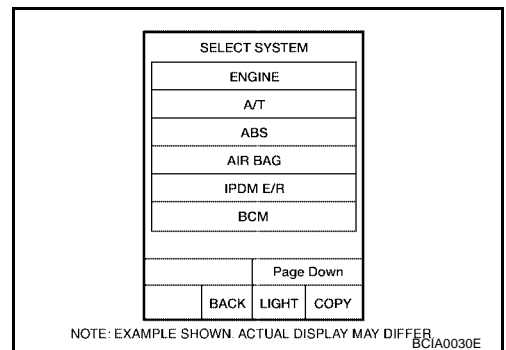
1. Turn ignition switch OFF.
2. Connect CONSULT-II and CONSULT-II CONVERTER to the data link connector.



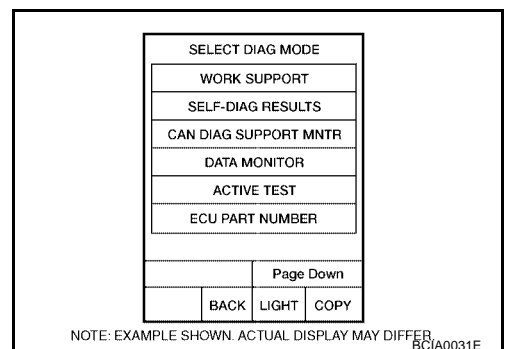
3. Turn ignition switch ON.
4. Touch "START (NISSAN BASED VHCL)".



5. Touch "AIR BAG".
If "AIR BAG" is not indicated, refer to [GI-37, "CONSULT-II Data Link Connector \(DLC\) Circuit"](#) .



6. Touch "SELF-DIAG [CURRENT]".



A
B
C
D
E
F
G
I
J
K
L
M

SRS

TROUBLE DIAGNOSIS

7. Diagnostic code is displayed on "SELF-DIAG [CURRENT]".

SELF-DIAG [CURRENT]
DTC RESULTS
DRIVER AIRBAG MODULE [OPEN] [B1049]

WHIA0151E

If no malfunction is detected on "SELF-DIAG [CURRENT]" even though malfunction is detected in "SRS Operation Check", refer to [SRS-30, "DIAGNOSTIC PROCEDURE 4 \(CONTINUED FROM DIAGNOSTIC PROCEDURE 2\)"](#), to diagnose the following cases:

- Self-diagnostic result "SELF-DIAG [PAST]" (previously stored in the memory) might not be erased after repair.
- The SRS system malfunctions intermittently.

SELF-DIAG [CURRENT]
DTC RESULTS:
NO DTC IS DETECTED. FURTHER TESTING MAY BE REQUIRED.

SRS701

CONSULT-II Diagnostic Code Chart ("SELF-DIAG [CURRENT]")

Diagnostic item	Explanation	Repair order Recheck SRS at each replacement
NO DTC IS DETECTED	When malfunction is indicated by the "AIR BAG" warning lamp in User mode. <ul style="list-style-type: none"> ● Low battery voltage (Less than 9V) ● Self-diagnostic result "SELF-DIAG [PAST]" (previously stored in the memory) might not be erased after repair. ● Intermittent malfunction has been detected in the past. 	<ul style="list-style-type: none"> ● Go to SRS-28, "DIAGNOSTIC PROCEDURE 3" . ● Go to SRS-30, "DIAGNOSTIC PROCEDURE 4 (CONTINUED FROM DIAGNOSTIC PROCEDURE 2)" . ● Go to SRS-30, "DIAGNOSTIC PROCEDURE 5" .
	● No malfunction is detected.	—
DRIVER AIRBAG MODULE [OPEN] [B1049] or [B1054]	● Driver air bag module circuit is open (including the spiral cable).	1. Visually check the wiring harness connection. 2. Replace the harness if it has visible damage.
DRIVER AIRBAG MODULE [VB-SHORT] [B1050] or [B1055]	● Driver air bag module circuit is shorted to some power supply circuit (including the spiral cable).	3. Replace driver air bag module. 4. Replace the spiral cable.
DRIVER AIRBAG MODULE [GND-SHORT] [B1051] or [B1056]	● Driver air bag module circuit is shorted to ground (including the spiral cable).	5. Replace the air bag diagnosis sensor unit. 6. Replace the related harness.
DRIVER AIRBAG MODULE [SHORT] [B1052] or [B1057]	● Driver air bag module circuits are shorted to each other.	

TROUBLE DIAGNOSIS

Diagnostic item	Explanation	Repair order Recheck SRS at each replacement	
ASSIST A/B MODULE [OPEN] [B1065] or [B1070]	● Front passenger air bag module circuit is open.	<ol style="list-style-type: none"> 1. Visually check the wiring harness connection. 2. Replace the harness if it has visible damage. 3. Replace front passenger air bag module. 4. Replace the air bag diagnosis sensor unit. 5. Replace the related harness. 	A
ASSIST A/B MODULE [VB-SHORT] [B1066] or [B1071]	● Front passenger air bag module circuit is shorted to some power supply circuit.		B
ASSIST A/B MODULE [GND-SHORT] [B1067] or [B1072]	● Front passenger air bag module circuit is shorted to ground.		C
ASSIST A/B MODULE [SHORT] [B1068] or [B1073]	● Front passenger air bag module circuits are shorted to each other.		D
CRASH ZONE SEN [UNIT FAIL] [B1033] or [B1034] CRASH ZONE SEN [COMM FAIL] [B1035]	● Crash zone sensor	<ol style="list-style-type: none"> 1. Visually check the wiring harness connection. 2. Replace the harness if it has visible damage. 3. Replace the crash zone sensor. 4. Replace the air bag diagnosis sensor unit. 5. Replace the related harness. 	E
SIDE MODULE LH [OPEN] [B1134]	● Front LH side air bag module circuit is open.		F
SIDE MODULE LH [VB-SHORT] [B1135]	● Front LH side air bag module circuit is shorted to some power supply circuit.		G
SIDE MODULE LH [GND-SHORT] [B1136]	● Front LH side air bag module circuit is shorted to ground.		I
SIDE MODULE LH [SHORT] [B1137]	● Front LH side air bag module circuits are shorted to each other.	<ol style="list-style-type: none"> 4. Replace the air bag diagnosis sensor unit. 5. Replace the related harness. 	J
SIDE MODULE RH [OPEN] [B1129]	● Front RH side air bag module circuit is open.		K
SIDE MODULE RH [VB-SHORT] [B1130]	● Front RH side air bag module circuit is shorted to some power supply circuit.		L
SIDE MODULE RH [GND-SHORT] [B1131]	● Front RH side air bag module circuit is shorted to ground.		M
SIDE MODULE RH [SHORT] [B1132]	● Front RH side air bag module circuits are shorted to each other.	<ol style="list-style-type: none"> 4. Replace the air bag diagnosis sensor unit. 5. Replace the related harness. 	
SATELLITE SENS LH [UNIT FAIL] [B1118] or [B1119] SATELLITE SENS LH [COMM FAIL] [B1120]	● LH side air bag (satellite) sensor		<ol style="list-style-type: none"> 1. Visually check the wiring harness connection. 2. Replace the harness if it has visible damage. 3. Replace the LH side air bag (satellite) sensor. 4. Replace the air bag diagnosis sensor unit. 5. Replace the related harness.

SRS

TROUBLE DIAGNOSIS

Diagnostic item	Explanation	Repair order Recheck SRS at each replacement
SATELLITE SENS RH [UNIT FAIL] [B1113] or [B1114] SATELLITE SENS RH [COMM FAIL] [B1115]	<ul style="list-style-type: none"> ● RH side air bag (satellite) sensor 	<ol style="list-style-type: none"> 1. Visually check the wiring harness connection. 2. Replace the harness if it has visible damage. 3. Replace the RH side air bag (satellite) sensor. 4. Replace the air bag diagnosis sensor unit. 5. Replace the related harness.
PRE-TEN FRONT LH [OPEN] [B1086]	<ul style="list-style-type: none"> ● The circuit for front LH seat belt pre-tensioner is open. 	<ol style="list-style-type: none"> 1. Visually check the wiring harness connections. 2. Replace the harness if it has visible damage. 3. Replace front LH seat belt pre-tensioner. 4. Replace the air bag diagnosis sensor unit. 5. Replace the related harness.
PRE-TEN FRONT LH [VB-SHORT] [B1087]	<ul style="list-style-type: none"> ● The circuit for front LH seat belt pre-tensioner is shorted to some power supply circuit. 	
PRE-TEN FRONT LH [GND-SHORT] [B1088]	<ul style="list-style-type: none"> ● The circuit for front LH seat belt pre-tensioner is shorted to ground. 	
PRE-TEN FRONT LH [SHORT] [B1089]	<ul style="list-style-type: none"> ● The circuits for the front LH seat belt pre-tensioner are shorted to each other. 	
PRE-TEN FRONT RH [OPEN] [B1081]	<ul style="list-style-type: none"> ● The circuit for front RH seat belt pre-tensioner is open. 	<ol style="list-style-type: none"> 1. Visually check the wiring harness connections. 2. Replace the harness if it has visible damage. 3. Replace front RH seat belt pre-tensioner. 4. Replace the air bag diagnosis sensor unit. 5. Replace the related harness.
PRE-TEN FRONT RH [VB-SHORT] [B1082]	<ul style="list-style-type: none"> ● The circuit for front RH seat belt pre-tensioner is shorted to some power supply circuit. 	
PRE-TEN FRONT RH [GND-SHORT] [B1083]	<ul style="list-style-type: none"> ● The circuit for front RH seat belt pre-tensioner is shorted to ground. 	
PRE-TEN FRONT RH [SHORT] [B1084]	<ul style="list-style-type: none"> ● The circuits for the front RH seat belt pre-tensioner are shorted to each other. 	
CURTAIN MODULE LH [OPEN] [B1150]	<ul style="list-style-type: none"> ● The LH side curtain air bag module circuit is open. 	<ol style="list-style-type: none"> 1. Visually check the wiring harness connection. 2. Replace the harness if it has visible damage. 3. Replace LH side curtain air bag module. 4. Replace the air bag diagnosis sensor unit. 5. Replace the related harness.
CURTAIN MODULE LH [VB-SHORT] [B1151]	<ul style="list-style-type: none"> ● The LH side curtain air bag module circuit is shorted to some power supply circuits. 	
CURTAIN MODULE LH [GND-SHORT] [B1152]	<ul style="list-style-type: none"> ● The LH side curtain air bag module circuit is shorted to ground. 	
CURTAIN MODULE LH [SHORT] [B1153]	<ul style="list-style-type: none"> ● The circuits for the LH side curtain air bag module are shorted to each other. 	

TROUBLE DIAGNOSIS

Diagnostic item	Explanation	Repair order Recheck SRS at each replacement	
CURTAIN MODULE RH [OPEN] [B1145]	<ul style="list-style-type: none"> The RH side curtain air bag module circuit is open. 	<ol style="list-style-type: none"> 1. Visually check the wiring harness connection. 2. Replace the harness if it has visible damage. 3. Replace RH side curtain air bag module. 4. Replace the air bag diagnosis sensor unit. 5. Replace the related harness. 	A
CURTAIN MODULE RH [VB-SHORT] [B1146]	<ul style="list-style-type: none"> The RH side curtain air bag module circuit is shorted to some power supply circuits. 		B
CURTAIN MODULE RH [GND-SHORT] [B1147]	<ul style="list-style-type: none"> The RH side curtain air bag module circuit is shorted to ground. 		C
CURTAIN MODULE RH [SHORT] [B1148]	<ul style="list-style-type: none"> The circuits for the RH side curtain air bag module are shorted to each other. 		D
CONTROL UNIT [B1XXX]	<ul style="list-style-type: none"> Air bag diagnosis sensor unit is malfunctioning. 	<ol style="list-style-type: none"> 1. Visually check the wiring harness connection. 2. Replace the air bag diagnosis sensor unit. 	E
OCCUPANT SENS C/U [UNIT FAIL] [B1017], [B1020] or [B1021]	<ul style="list-style-type: none"> Occupant classification system is malfunctioning. 	<ol style="list-style-type: none"> 1. Replace RH front seat cushion/occupant classification system control unit assembly. 	F
OCCUPANT SENS C/U [COMM FAIL] [B1022]	<ul style="list-style-type: none"> Communication between the occupant classification system control unit and air bag diagnosis sensor unit is interrupted. 	<ol style="list-style-type: none"> 1. Visually check the wiring harness connection. 2. Replace the harness if it has visible damage. 3. Replace RH front seat cushion/occupant classification system control unit assembly. 4. Replace the air bag diagnosis sensor unit. 5. Replace the related harness. 	G
OCCUPANT SENS [UNIT FAIL] [B1018]	<ul style="list-style-type: none"> Occupant classification sensor is malfunctioning. 	<ol style="list-style-type: none"> 1. Replace RH front seat cushion/occupant classification system control unit assembly. 	I
BELT TENSION SENS [UNIT FAIL] [B1019]	<ul style="list-style-type: none"> Belt tension sensor is malfunctioning. 	<ol style="list-style-type: none"> 1. Visually check the wiring harness connection. 2. Replace the harness if it has visible damage. 3. Replace RH front seat belt assembly. 4. Replace RH front seat cushion/occupant classification system control unit assembly. 	J
PASS A/B INDCTR CKT [B1023]	<ul style="list-style-type: none"> Front passenger air bag off indicator is malfunctioning. 	<ol style="list-style-type: none"> 1. Visually check the wiring harness connection. 2. Replace the harness if it has visible damage. 3. Replace front passenger air bag off indicator. 4. Replace the air bag diagnosis sensor unit. 5. Replace the related harness. 	K

SRS

NOTE:

Follow the procedures in numerical order when repairing malfunctioning parts. Confirm whether malfunction is eliminated using air bag warning lamp or CONSULT-II each time repair is finished. If malfunction is still observed, proceed to the next step. When malfunction is eliminated, further repair work is not required.

TROUBLE DIAGNOSIS

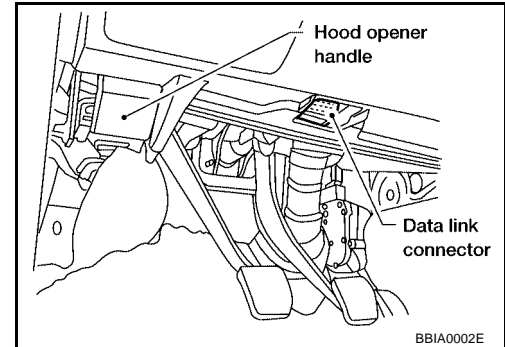
DIAGNOSTIC PROCEDURE 3

Final Check of SRS Using CONSULT-II—Diagnosis Mode

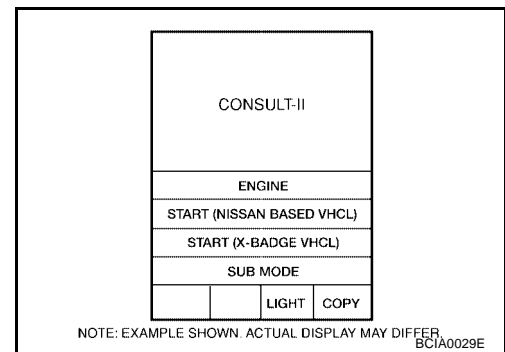
CAUTION:

If CONSULT-II is used with no connection of CONSULT-II CONVERTER, malfunction might be detected in self-diagnosis depending on control unit which carries out CAN communication.

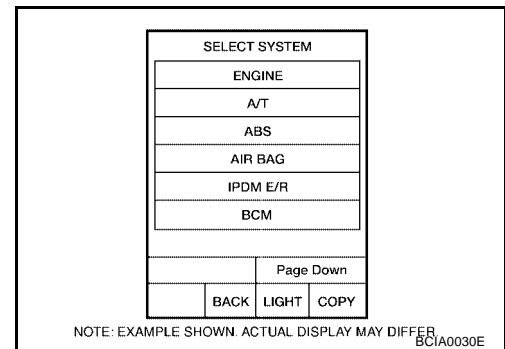
1. After repairing SRS, connect both battery cables.
2. Connect CONSULT-II and CONSULT-II CONVERTER to data link connector.
3. Turn ignition switch ON.



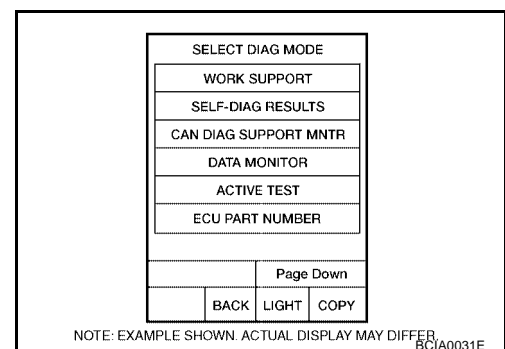
4. Touch "START (NISSAN BASED VHCL)".



5. Touch "AIR BAG".
If "AIR BAG" is not indicated, refer to [GI-37, "CONSULT-II Data Link Connector \(DLC\) Circuit"](#).

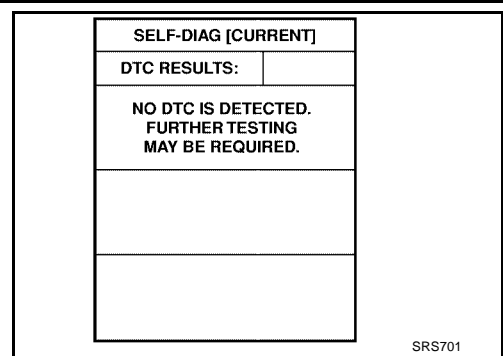


6. Touch "SELF-DIAG [CURRENT]".



TROUBLE DIAGNOSIS

7. If no malfunction is detected on "SELF-DIAG [CURRENT]", repair of SRS is completed. Go to step 8.
 If any malfunction is detected on "SELF-DIAG [CURRENT]", the malfunctioning part is not repaired completely or another malfunctioning part is detected. Go to [SRS-23, "DIAGNOSTIC PROCEDURE 2"](#), and repair malfunctioning part completely.



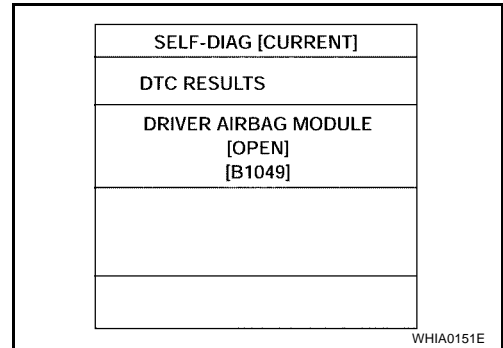
A
B
C
D
E
F
G

8. Touch "ERASE".

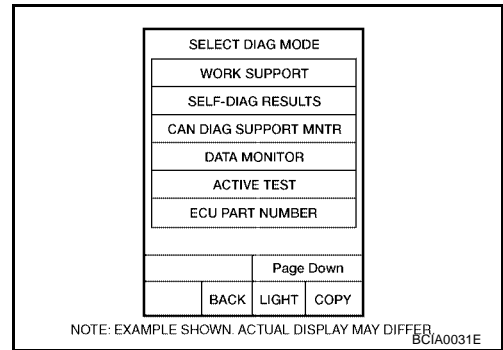
NOTE:

Touch "ERASE" to clear the memory of the malfunction ("SELF-DIAG [PAST])."

If the memory of the malfunction in "SELF-DIAG [PAST]" is not erased, the User mode shows the system malfunction by the operation of the warning lamp even if the malfunction is repaired completely.



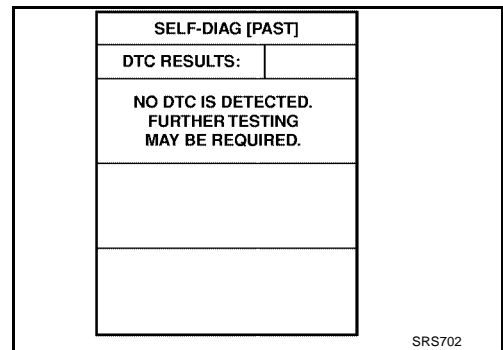
9. Touch "BACK" key of CONSULT-II to "SELECT DIAG MODE" screen. Touch "SELF-DIAG [PAST]".



SRS

I
J
K

10. Check that no malfunction is detected on "SELF-DIAG [PAST]".
 11. Touch "BACK" key of CONSULT-II until "SELECT SYSTEM" appears in order to return to User mode from Diagnosis mode.
 12. Turn ignition switch OFF then turn off and disconnect CONSULT-II.
 13. Go to [SRS-21, "Checking SRS Operation Using "AIR BAG" Warning Lamp—User Mode"](#).



L
M

TROUBLE DIAGNOSIS

DIAGNOSTIC PROCEDURE 4 (CONTINUED FROM DIAGNOSTIC PROCEDURE 2)

Check SRS Repair History

1. CONSIDER POSSIBILITY THAT SELF-DIAGNOSTIC RESULT WAS NOT ERASED AFTER REPAIR

Check repair history of the SRS.

Have any previous repairs been made to the SRS?

- Yes >> Self-diagnostic result "SELF-DIAG [PAST]" (previously stored in the memory) might not be erased after repair. Go to [SRS-28, "DIAGNOSTIC PROCEDURE 3"](#).
- No >> Go to [SRS-23, "DIAGNOSTIC PROCEDURE 2"](#).

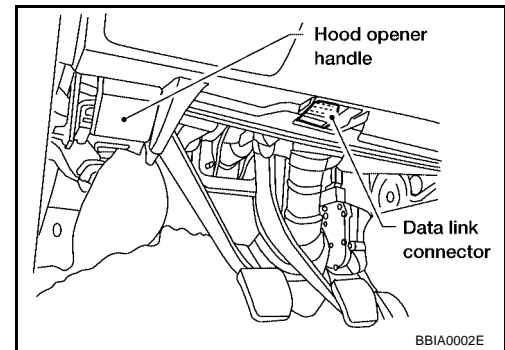
DIAGNOSTIC PROCEDURE 5

Check SRS Intermittent Malfunction Using CONSULT-II—Diagnosis Mode

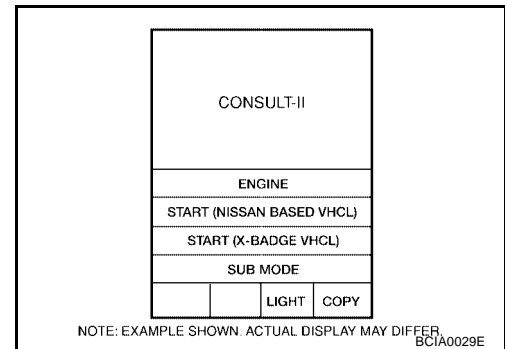
CAUTION:

If CONSULT-II is used with no connection of CONSULT-II CONVERTER, malfunction might be detected in self-diagnosis depending on control unit which carries out CAN communication.

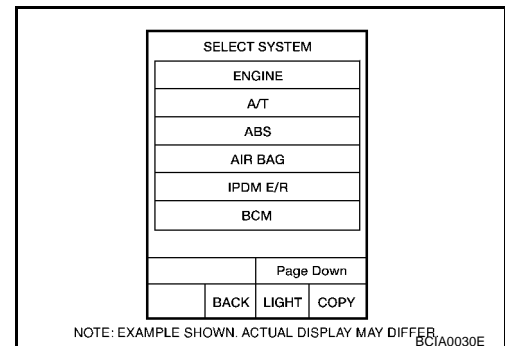
1. Turn ignition switch OFF.
2. Connect CONSULT-II and CONSULT-II CONVERTER to data link connector.



3. Turn ignition switch ON.
4. Touch "START (NISSAN BASED VHCL)".

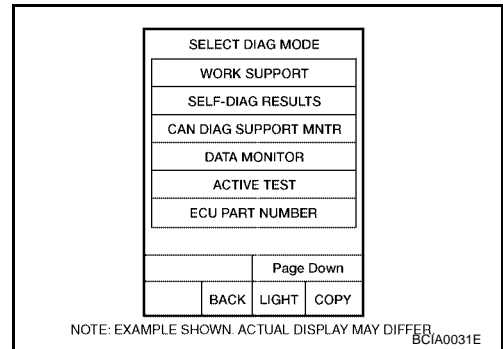


5. Touch "AIR BAG".
If "AIR BAG" is not indicated, refer to [GI-37, "CONSULT-II Data Link Connector \(DLC\) Circuit"](#).

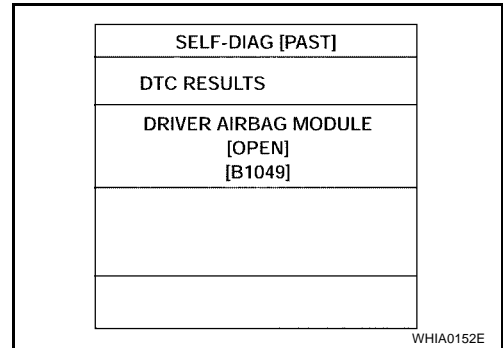


TROUBLE DIAGNOSIS

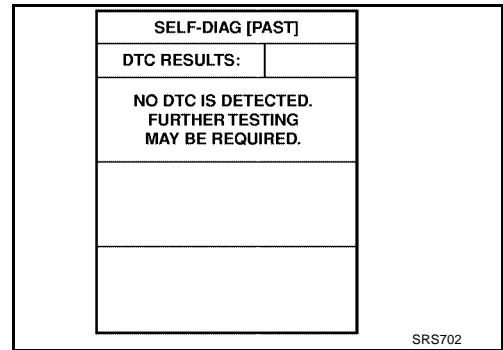
6. Touch "SELF-DIAG [PAST]".



7. If diagnostic codes are displayed on "SELF-DIAG [PAST]", go to step 10.

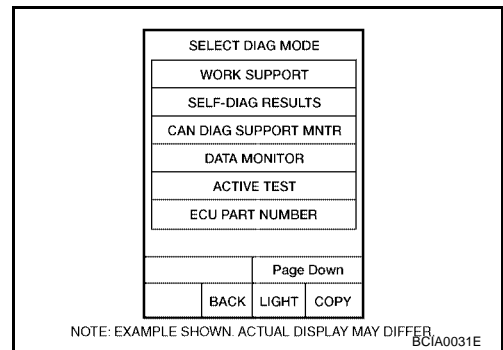


If no malfunction is detected on "SELF-DIAG [PAST]", touch "BACK" and go back to "SELECT DIAG MODE".



8. Touch "TROUBLE DIAG RECORD".

NOTE:
With "TROUBLE DIAG RECORD", diagnosis results previously erased by a reset operation can be displayed.



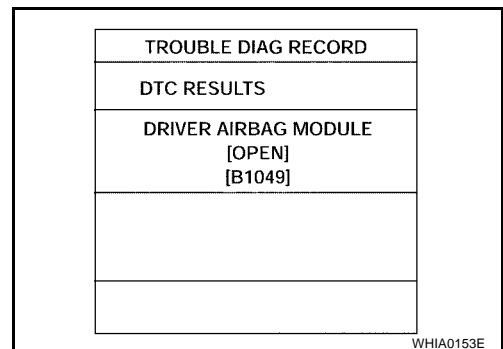
9. Diagnostic code is displayed on "TROUBLE DIAG RECORD".

10. Touch "PRINT".

11. Compare diagnostic codes to [SRS-32, "CONSULT-II Diagnostic Code Chart \("SELF-DIAG \[PAST\]" or "TROUBLE DIAG RECORD"\)"](#).

12. Touch "BACK" key of CONSULT-II until "SELECT SYSTEM" appears.

13. Turn ignition switch OFF, then turn off and disconnect CONSULT-II, and both battery cables.



A
B
C
D
E
F
G

SRS

I
J
K

L
M

TROUBLE DIAGNOSIS

14. Repair the system as outlined by the "Repair order" in "Intermittent Malfunction Diagnostic Code Chart", that corresponds to the self-diagnostic result. For replacement procedure of component parts, refer to the Removal and Installation procedure for the appropriate component.
15. Go to [SRS-28, "DIAGNOSTIC PROCEDURE 3"](#) , for final checking.

CONSULT-II Diagnostic Code Chart ("SELF-DIAG [PAST]" or "TROUBLE DIAG RECORD")

Diagnostic item	Explanation	Repair order Recheck SRS at each replacement
NO DTC IS DETECTED	When malfunction is indicated by the "AIR BAG" warning lamp in User mode. <ul style="list-style-type: none"> ● Low battery voltage (Less than 9V) ● Self-diagnostic result "SELF-DIAG [PAST]" (previously stored in the memory) might not be erased after repair. ● Intermittent malfunction has been detected in the past. 	<ul style="list-style-type: none"> ● Go to SRS-28, "DIAGNOSTIC PROCEDURE 3" . ● Go to SRS-30, "DIAGNOSTIC PROCEDURE 4 (CONTINUED FROM DIAGNOSTIC PROCEDURE 2)" . ● Go to SRS-30, "DIAGNOSTIC PROCEDURE 5" .
	<ul style="list-style-type: none"> ● No malfunction is detected. 	—
DRIVER AIRBAG MODULE [OPEN] [B1049] or [B1054]	<ul style="list-style-type: none"> ● Driver air bag module circuit is open (including the spiral cable). 	<ol style="list-style-type: none"> 1. Visually check the wiring harness connection. 2. Replace the harness if it has visible damage.
DRIVER AIRBAG MODULE [VB-SHORT] [B1050] or [B1055]	<ul style="list-style-type: none"> ● Driver air bag module circuit is shorted to some power supply circuit (including the spiral cable). 	<ol style="list-style-type: none"> 3. Replace driver air bag module. 4. Replace the spiral cable.
DRIVER AIRBAG MODULE [GND-SHORT] [B1051] or [B1056]	<ul style="list-style-type: none"> ● Driver air bag module circuit is shorted to ground (including the spiral cable). 	<ol style="list-style-type: none"> 5. Replace the air bag diagnosis sensor unit. 6. Replace the related harness.
DRIVER AIRBAG MODULE [SHORT] [B1052] or [B1057]	<ul style="list-style-type: none"> ● Driver air bag module circuits are shorted to each other. 	
ASSIST A/B MODULE [OPEN] [B1065] or [B1070]	<ul style="list-style-type: none"> ● Front passenger air bag module circuit is open. 	<ol style="list-style-type: none"> 1. Visually check the wiring harness connection.
ASSIST A/B MODULE [VB-SHORT] [B1066] or [B1071]	<ul style="list-style-type: none"> ● Front passenger air bag module circuit is shorted to some power supply circuit. 	<ol style="list-style-type: none"> 2. Replace the harness if it has visible damage. 3. Replace front passenger air bag module.
ASSIST A/B MODULE [GND-SHORT] [B1067] or [B1072]	<ul style="list-style-type: none"> ● Front passenger air bag module circuit is shorted to ground. 	<ol style="list-style-type: none"> 4. Replace the air bag diagnosis sensor unit.
ASSIST A/B MODULE [SHORT] [B1068] or [B1073]	<ul style="list-style-type: none"> ● Front passenger air bag module circuits are shorted to each other. 	<ol style="list-style-type: none"> 5. Replace the related harness.
CRASH ZONE SEN [UNIT FAIL] [B1033] or [B1034] CRASH ZONE SEN [COMM FAIL] [B1035]	<ul style="list-style-type: none"> ● Crash zone sensor 	<ol style="list-style-type: none"> 1. Visually check the wiring harness connection. 2. Replace the harness if it has visible damage. 3. Replace the crash zone sensor. 4. Replace the air bag diagnosis sensor unit. 5. Replace the related harness.

TROUBLE DIAGNOSIS

Diagnostic item	Explanation	Repair order Recheck SRS at each replacement
SIDE MODULE LH [OPEN] [B1134]	● Front LH side air bag module circuit is open.	<ol style="list-style-type: none"> 1. Visually check the wiring harness connection. 2. Replace the harness if it has visible damage. 3. Replace front LH seat back assembly (front LH side air bag module). 4. Replace the air bag diagnosis sensor unit. 5. Replace the related harness.
SIDE MODULE LH [VB-SHORT] [B1135]	● Front LH side air bag module circuit is shorted to some power supply circuit.	
SIDE MODULE LH [GND-SHORT] [B1136]	● Front LH side air bag module circuit is shorted to ground.	
SIDE MODULE LH [SHORT] [B1137]	● Front LH side air bag module circuits are shorted to each other.	
SIDE MODULE RH [OPEN] [B1129]	● Front RH side air bag module circuit is open.	<ol style="list-style-type: none"> 1. Visually check the wiring harness connection. 2. Replace the harness if it has visible damage. 3. Replace front RH seat back assembly (front RH side air bag module). 4. Replace the air bag diagnosis sensor unit. 5. Replace the related harness.
SIDE MODULE RH [VB-SHORT] [B1130]	● Front RH side air bag module circuit is shorted to some power supply circuit.	
SIDE MODULE RH [GND-SHORT] [B1131]	● Front RH side air bag module circuit is shorted to ground.	
SIDE MODULE RH [SHORT] [B1132]	● Front RH side air bag module circuits are shorted to each other.	
SATELLITE SENS LH [UNIT FAIL] [B1118] or [B1119] SATELLITE SENS LH [COMM FAIL] [B1120]	● LH side air bag (satellite) sensor	<ol style="list-style-type: none"> 1. Visually check the wiring harness connection. 2. Replace the harness if it has visible damage. 3. Replace the LH side air bag (satellite) sensor. 4. Replace the air bag diagnosis sensor unit. 5. Replace the related harness.
SATELLITE SENS RH [UNIT FAIL] [B1113] or [B1114] SATELLITE SENS RH [COMM FAIL] [B1115]	● RH side air bag (satellite) sensor	
PRE-TEN FRONT LH [OPEN] [B1086]	● The circuit for front LH seat belt pre-tensioner is open.	<ol style="list-style-type: none"> 1. Visually check the wiring harness connections. 2. Replace the harness if it has visible damage. 3. Replace front LH seat belt pre-tensioner. 4. Replace the air bag diagnosis sensor unit. 5. Replace the related harness.
PRE-TEN FRONT LH [VB-SHORT] [B1087]	● The circuit for front LH seat belt pre-tensioner is shorted to some power supply circuit.	
PRE-TEN FRONT LH [GND-SHORT] [B1088]	● The circuit for front LH seat belt pre-tensioner is shorted to ground.	
PRE-TEN FRONT LH [SHORT] [B1089]	● The circuits for the front LH seat belt pre-tensioner are shorted to each other.	

A
B
C
D
E
F
G

SRS

I
J
K
L
M

TROUBLE DIAGNOSIS

Diagnostic item	Explanation	Repair order Recheck SRS at each replacement
PRE-TEN FRONT RH [OPEN] [B1081]	<ul style="list-style-type: none"> The circuit for front RH seat belt pre-tensioner is open. 	<ol style="list-style-type: none"> 1. Visually check the wiring harness connections. 2. Replace the harness if it has visible damage. 3. Replace front RH seat belt pre-tensioner. 4. Replace the air bag diagnosis sensor unit. 5. Replace the related harness.
PRE-TEN FRONT RH [VB-SHORT] [B1082]	<ul style="list-style-type: none"> The circuit for front RH seat belt pre-tensioner is shorted to some power supply circuit. 	
PRE-TEN FRONT RH [GND-SHORT] [B1083]	<ul style="list-style-type: none"> The circuit for front RH seat belt pre-tensioner is shorted to ground. 	
PRE-TEN FRONT RH [SHORT] [B1084]	<ul style="list-style-type: none"> The circuits for the front RH seat belt pre-tensioner are shorted to each other. 	
CURTAIN MODULE LH [OPEN] [B1150]	<ul style="list-style-type: none"> The LH side curtain air bag module circuit is open. 	<ol style="list-style-type: none"> 1. Visually check the wiring harness connection. 2. Replace the harness if it has visible damage. 3. Replace LH side curtain air bag module. 4. Replace the air bag diagnosis sensor unit. 5. Replace the related harness.
CURTAIN MODULE LH [VB-SHORT] [B1151]	<ul style="list-style-type: none"> The LH side curtain air bag module circuit is shorted to some power supply circuits. 	
CURTAIN MODULE LH [GND-SHORT] [B1152]	<ul style="list-style-type: none"> The LH side curtain air bag module circuit is shorted to ground. 	
CURTAIN MODULE LH [SHORT] [B1153]	<ul style="list-style-type: none"> The circuits for the LH side curtain air bag module are shorted to each other. 	
CURTAIN MODULE RH [OPEN] [B1145]	<ul style="list-style-type: none"> The RH side curtain air bag module circuit is open. 	
CURTAIN MODULE RH [VB-SHORT] [B1146]	<ul style="list-style-type: none"> The RH side curtain air bag module circuit is shorted to some power supply circuits. 	<ol style="list-style-type: none"> 1. Visually check the wiring harness connection. 2. Replace the harness if it has visible damage. 3. Replace RH side curtain air bag module. 4. Replace the air bag diagnosis sensor unit. 5. Replace the related harness.
CURTAIN MODULE RH [GND-SHORT] [B1147]	<ul style="list-style-type: none"> The RH side curtain air bag module circuit is shorted to ground. 	
CURTAIN MODULE RH [SHORT] [B1148]	<ul style="list-style-type: none"> The circuits for the RH side curtain air bag module are shorted to each other. 	
CONTROL UNIT [B1XXX]	<ul style="list-style-type: none"> Air bag diagnosis sensor unit is malfunctioning. 	
OCCUPANT SENS C/U [UNIT FAIL] [B1017], [B1020] or [B1021]	<ul style="list-style-type: none"> Occupant classification system is malfunctioning. 	<ol style="list-style-type: none"> 1. Replace RH front seat cushion/occupant classification system control unit assembly.
OCCUPANT SENS C/U [COMM FAIL] [B1022]	<ul style="list-style-type: none"> Communication between the occupant classification system control unit and air bag diagnosis sensor unit is interrupted. 	<ol style="list-style-type: none"> 1. Visually check the wiring harness connection. 2. Replace the harness if it has visible damage. 3. Replace RH front seat cushion/occupant classification system control unit assembly. 4. Replace the air bag diagnosis sensor unit. 5. Replace the related harness.
OCCUPANT SENS [UNIT FAIL] [B1018]	<ul style="list-style-type: none"> Occupant classification sensor is malfunctioning. 	<ol style="list-style-type: none"> 1. Replace RH front seat cushion/occupant classification system control unit assembly.

TROUBLE DIAGNOSIS

Diagnostic item	Explanation	Repair order Recheck SRS at each replacement	A
BELT TENSION SENS [UNIT FAIL] [B1019]	<ul style="list-style-type: none"> ● Belt tension sensor is malfunctioning. 	<ol style="list-style-type: none"> 1. Visually check the wiring harness connection. 2. Replace the harness if it has visible damage. 3. Replace RH front seat belt assembly. 4. Replace RH front seat cushion/occupant classification system control unit assembly. 	B C
PASS A/B INDCTR CKT [B1023]	<ul style="list-style-type: none"> ● Front passenger air bag off indicator is malfunctioning. 	<ol style="list-style-type: none"> 1. Visually check the wiring harness connection. 2. Replace the harness if it has visible damage. 3. Replace front passenger air bag off indicator. 4. Replace the air bag diagnosis sensor unit. 5. Replace the related harness. 	D E F

G

SRS

I

J

K

L

M

TROUBLE DIAGNOSIS

EHS00110

Trouble Diagnosis Without CONSULT-II

DIAGNOSTIC PROCEDURE 6

Inspect SRS Malfunction Using "AIR BAG" Warning Lamp—Diagnosis Mode

NOTE:

SRS will not enter Diagnosis mode if no malfunction is detected in User mode.

1. Turn ignition switch ON.
2. After "AIR BAG" warning lamp lights for 7 seconds, turn ignition switch OFF within 1 second.
3. Wait more than 3 seconds.
4. Repeat steps 1 to 3 two times.
5. Turn ignition switch ON.

SRS is now in Diagnosis mode.

"AIR BAG" warning lamp operates in Diagnosis mode as follows:

TROUBLE DIAGNOSIS

WARNING LAMP FLASH CODE CHART

<Diagnosis results (previously stored in the memory) might not be erased after repair or intermittent malfunctions have been detected in the past.>

Flash pattern	Repair order
<p>a through b are repeated.</p> <p style="text-align: center;">IGN ON ON OFF</p>	<p>1. Go to DIAGNOSTIC PROCEDURES 2 and 3.</p>

SHIA0026E

<Driver air bag module>	
Flash pattern	Repair order
<p>a through d are repeated. d: Two flashes indicate malfunctioning driver air bag module circuits.</p> <p style="text-align: center;">ON OFF</p>	<ol style="list-style-type: none"> 1. Visually check the wiring harness connection. 2. Replace the harness if it has visible damage. 3. Replace the spiral cable. 4. Replace driver air bag module. 5. Replace the air bag diagnosis sensor unit. 6. Replace the related harness.

WHIA00260E

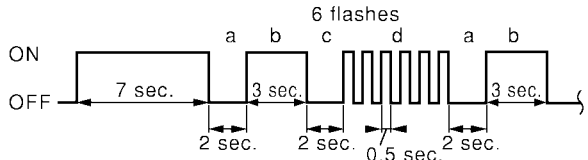
<Air bag diagnosis sensor unit>	
Flash pattern	Repair order
<p>a through d are repeated. d: Seven flashes indicate malfunctioning diagnosis sensor unit circuit.</p> <p style="text-align: center;">ON OFF</p>	<ol style="list-style-type: none"> 1. Visually check the wiring harness connections. 2. Replace the harness if it has visible damage. 3. Replace the air bag diagnosis sensor unit. 4. Replace the related harness.

WHIA0198E

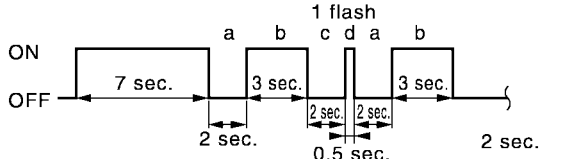
<Front passenger air bag module>	
Flash pattern	Repair order
<p>a through d are repeated. d: Eight flashes indicate malfunctioning front passenger air bag module circuit.</p> <p style="text-align: center;">ON OFF</p>	<ol style="list-style-type: none"> 1. Visually check the wiring harness connection. 2. Replace the harness if it has visible damage. 3. Replace front passenger air bag module. 4. Replace the air bag diagnosis sensor unit. 5. Replace the related harness.

WHIA0261E

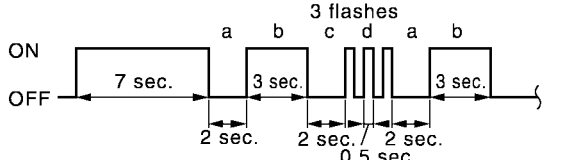
TROUBLE DIAGNOSIS

<Crash zone sensor>	
Flash pattern	Repair order
<p>a through d are repeated. d: Six flashes indicate malfunctioning crash zone sensor circuit.</p> 	<ol style="list-style-type: none"> 1. Visually check the wiring harness connection. 2. Replace the harness if it has visible damage. 3. Replace the crash zone sensor. 4. Replace the air bag diagnosis sensor unit. 5. Replace the related harness.

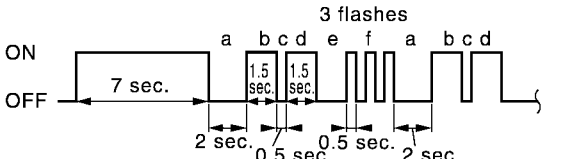
WHIA0200E

<Front RH seat belt pre-tensioner>	
Flash pattern	Repair order
<p>a through d are repeated. d: One flash indicates malfunctioning front RH seat belt pre-tensioner circuit.</p> 	<ol style="list-style-type: none"> 1. Visually check the wiring harness connections. 2. Replace the harness if it has visible damage. 3. Replace front RH seat belt pre-tensioner. 4. Replace the air bag diagnosis sensor unit. 5. Replace the related harness.

WHIA0262E

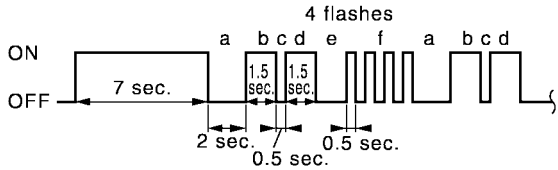
<Front LH seat belt pre-tensioner>	
Flash pattern	Repair order
<p>a through d are repeated. d: Three flashes indicate malfunctioning front LH seat belt pre-tensioner circuit.</p> 	<ol style="list-style-type: none"> 1. Visually check the wiring harness connections. 2. Replace the harness if it has visible damage. 3. Replace front LH seat belt pre-tensioner. 4. Replace the air bag diagnosis sensor unit. 5. Replace the related harness.

WHIA0263E

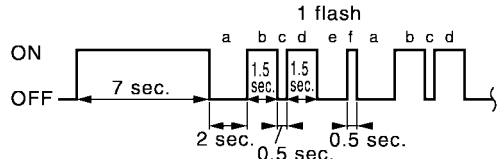
<RH side air bag (Satellite) sensor>	
Flash pattern	Repair order
<p>a through f are repeated. f: Three flashes indicate malfunctioning RH side air bag (Satellite) sensor circuit.</p> 	<ol style="list-style-type: none"> 1. Visually check the wiring harness connection. 2. Replace the harness if it has visible damage. 3. Replace the RH side air bag (Satellite) sensor. 4. Replace the air bag diagnosis sensor unit. 5. Replace the related harness.

WHIA0203E

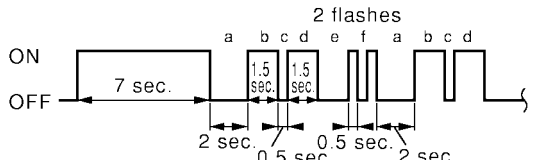
TROUBLE DIAGNOSIS

<LH side air bag (Satellite) sensor>	
Flash pattern	Repair order
<p>a through f are repeated. f: Four flashes indicate malfunctioning LH side air bag (Satellite) sensor.</p> 	<ol style="list-style-type: none"> 1. Visually check the wiring harness connection. 2. Replace the harness if it has visible damage. 3. Replace the LH side air bag (Satellite) sensor. 4. Replace the air bag diagnosis sensor unit. 5. Replace the related harness.

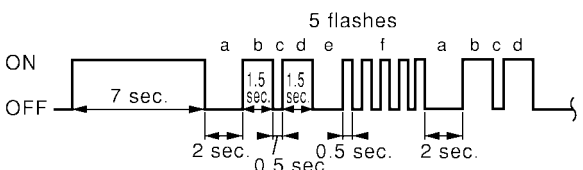
WHIA0204E

<Front RH side air bag module>	
Flash pattern	Repair order
<p>a through f are repeated. f: One flash indicate malfunctioning front RH side air bag module circuit.</p> 	<ol style="list-style-type: none"> 1. Visually check the wiring harness connection. 2. Replace the harness if it has visible damage. 3. Replace front RH seat back assembly. 4. Replace the air bag diagnosis sensor unit. 5. Replace the related harness.

WHIA0264E

<Front LH side air bag module>	
Flash pattern	Repair order
<p>a through f are repeated. f: Two flashes indicate malfunctioning front LH side air bag module circuit.</p> 	<ol style="list-style-type: none"> 1. Visually check the wiring harness connection. 2. Replace the harness if it has visible damage. 3. Replace front LH seat back assembly. 4. Replace the air bag diagnosis sensor unit. 5. Replace the related harness.

WHIA0265E

<RH side curtain air bag module>	
Flash pattern	Repair order
<p>a through f are repeated. f: Five flashes indicate malfunctioning RH side curtain air bag module circuit.</p> 	<ol style="list-style-type: none"> 1. Visually check the wiring harness connection. 2. Replace the harness if it has visible damage. 3. Replace RH side curtain air bag module. 4. Replace the air bag diagnosis sensor unit. 5. Replace the related harness.

WHIA0266E

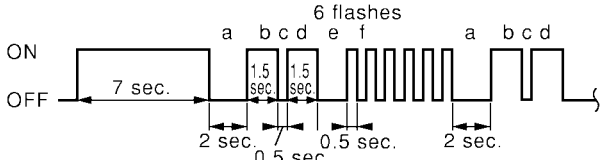
A
B
C
D
E
F
G

SRS

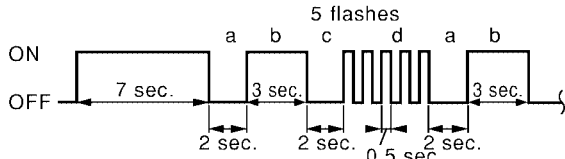
I
J
K

L
M

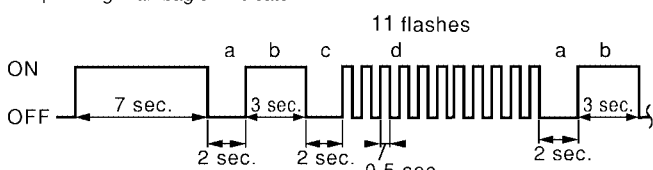
TROUBLE DIAGNOSIS

<LH side curtain air bag module>	
Flash pattern	Repair order
<p>a through f are repeated. f: Six flashes indicate malfunctioning LH side curtain air bag module circuit.</p> 	<ol style="list-style-type: none"> 1. Visually check the wiring harness connection. 2. Replace the harness if it has visible damage. 3. Replace LH side curtain air bag module. 4. Replace the air bag diagnosis sensor unit. 5. Replace the related harness.

WHIA0267E

<Occupant classification system>	
Flash pattern	Repair order
<p>a through d are repeated. d: Five flashes indicate malfunctioning occupant classification system control unit.</p> 	<ol style="list-style-type: none"> 1. Visually check the wiring harness connection. 2. Replace the harness if it has visible damage. 3. Replace the RH front seat cushion occupant classification system control unit assembly. 4. Replace the air bag diagnosis sensor unit.

WHIA0211E

<Front passenger air bag off indicator>	
Flash pattern	Repair order
<p>a through d are repeated. d: Eleven flashes indicate malfunctioning front passenger air bag off indicator.</p> 	<ol style="list-style-type: none"> 1. Visually check the wiring harness connection. 2. Replace the harness if it has visible damage. 3. Replace front passenger air bag off indicator. 4. Replace the air bag diagnosis sensor unit. 5. Replace the related harness.

WHIA0212E

TROUBLE DIAGNOSIS

EHS0011P

Trouble Diagnosis: "AIR BAG" Warning Lamp Does Not Turn Off DIAGNOSTIC PROCEDURE 6

1. CHECK CONDITION OF AIR BAG MODULE

Inspect for any deployed air bag modules or seat belt pre-tensioners.

Are any air bag modules or seat belt pre-tensioners deployed?

- Yes >> Refer to [SRS-55, "COLLISION DIAGNOSIS"](#).
- No >> GO TO 2.

2. CHECK THE AIR BAG FUSE

Check 10A fuse [No. 13, located in the fuse block (J/B)].

Refer to [PG-4, "POWER SUPPLY ROUTING CIRCUIT"](#).

OK or NG

- OK >> GO TO 4.
- NG >> GO TO 3.

3. CHECK AIR BAG FUSE AGAIN

Replace 10A fuse [No. 13, located in the fuse block (J/B)] and turn ignition switch ON.

Does the fuse blow again?

- Yes >> Repair harness.
- No >> Inspection End.

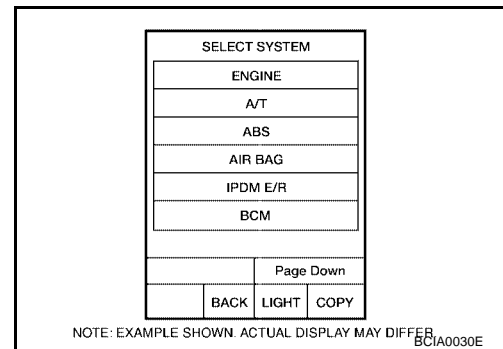
4. CHECK AIR BAG DIAGNOSIS SENSOR UNIT



Connect CONSULT-II and touch "START".

Is "AIR BAG" displayed on CONSULT-II?

- Yes >> GO TO 5.
- No >> Visually inspect the air bag diagnosis sensor unit harness connections. If the connections are OK, replace the air bag diagnosis sensor unit. Refer to [SRS-53, "Removal and Installation"](#).



5. CHECK HARNESS CONNECTION

Check for loose connections between the combination meter and the air bag diagnosis sensor unit.

OK or NG

- OK >> Replace air bag diagnosis sensor unit. Refer to [SRS-53, "Removal and Installation"](#).
- NG >> Properly connect the combination meter and air bag diagnosis sensor unit harness connectors. If "AIR BAG" warning lamp still does not turn off, replace the wiring harness.

TROUBLE DIAGNOSIS

Trouble Diagnosis: "AIR BAG" Warning Lamp Does Not Turn On DIAGNOSTIC PROCEDURE 7

EHS0011Q

1. CHECK METER FUSE

Check the 10A fuse [No. 14, located in the fuse block (J/B)] .
Refer to [PG-4, "POWER SUPPLY ROUTING CIRCUIT"](#) .

OK or NG

OK >> GO TO 3.
NG >> GO TO 2.

2. CHECK METER FUSE AGAIN

Replace 10A fuse [No. 14, located in the fuse block (J/B)] and turn ignition switch ON.

Does the fuse blow again?

Yes >> Repair harness.
No >> Inspection End.

3. CHECK HARNESS CONNECTION BETWEEN AIR BAG DIAGNOSIS SENSOR UNIT AND COMBINATION METER

Disconnect the air bag diagnosis sensor unit harness connectors and turn ignition switch ON.

Does "AIR BAG" warning lamp turn on?

Yes >> Replace the air bag diagnosis sensor unit. Refer to [SRS-53, "Removal and Installation"](#) .
No >> Check the combination meter ground circuits.

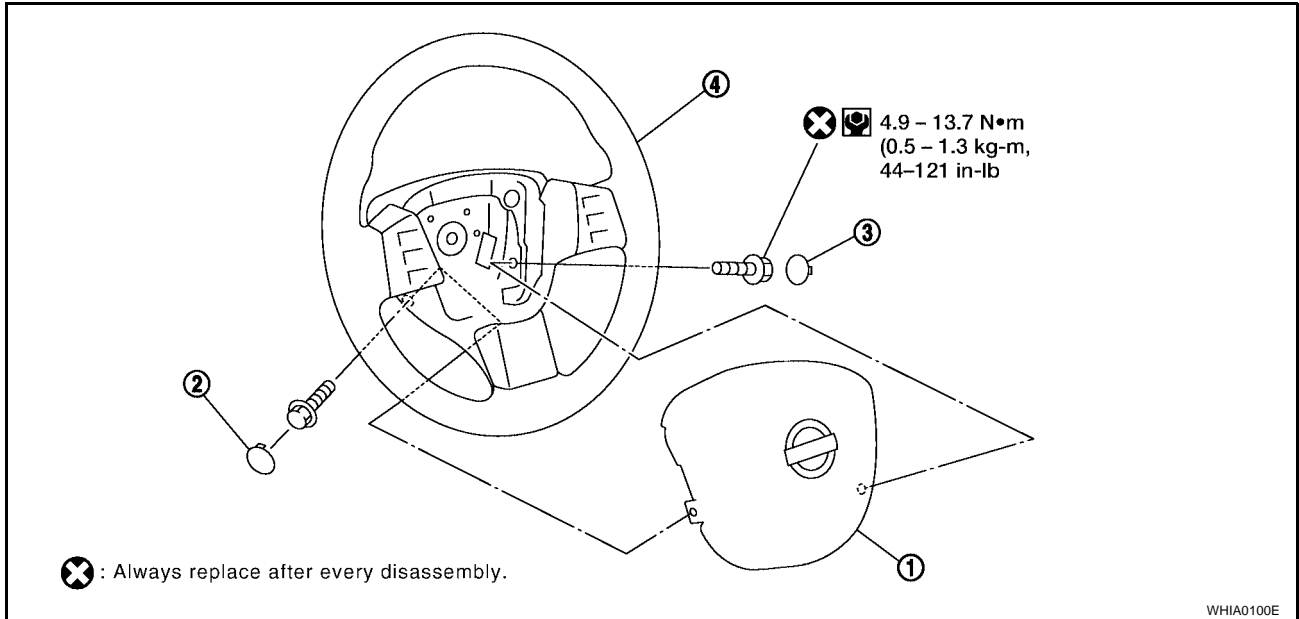
DRIVER AIR BAG MODULE

PFK:K8510

DRIVER AIR BAG MODULE

Removal and Installation

EHS0011R



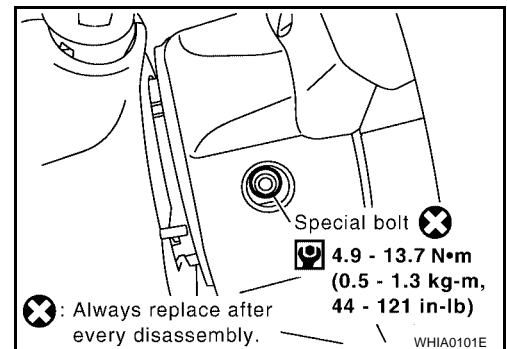
1. Driver air bag module
2. Side lid LH
3. Side lid RH
4. Steering wheel

REMOVAL

CAUTION:

- Do not attempt to repair or replace damaged direct-connect SRS component connectors. If a driver air bag direct-connect harness connector is damaged, the spiral cable must be replaced.
- Before servicing the SRS, turn ignition switch OFF, disconnect both battery cables and wait at least 3 minutes.
- When servicing the SRS, do not work from directly in front of air bag module.

1. Remove the side lids.
2. Remove the left and right side bolts.



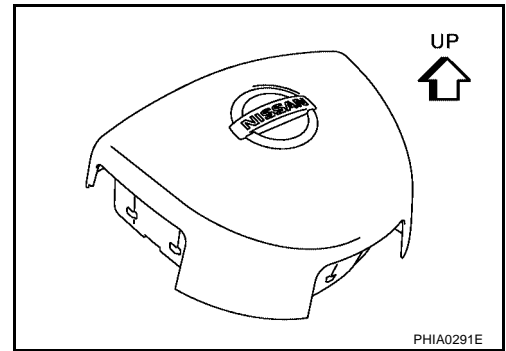
3. Lift the driver air bag module from the steering wheel.
4. Disconnect the air bag harness connectors and remove the driver air bag module.
 - For removal/installation of the direct-connect SRS connectors, refer to [SRS-8, "Direct-connect SRS Component Connectors"](#).

CAUTION:

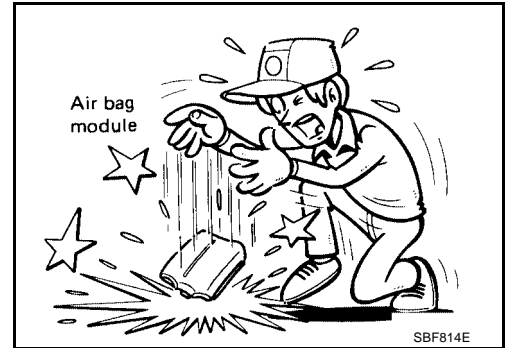
- When servicing the SRS, do not work from directly in front of air bag module.

DRIVER AIR BAG MODULE

- Always place air bag module with pad side facing upward.
- Do not insert any foreign objects (screwdriver, etc.) into air bag module or harness connectors.
- Do not disassemble air bag module.
- Do not use old bolts after removal; replace with new bolts.
- Do not expose the air bag module to temperatures exceeding 90°C (194°F).



- Replace the air bag module if it has been dropped or sustained an impact.
- Do not allow oil, grease or water to come in contact with the air bag module.



INSTALLATION

To install, reverse the removal procedure.

- For removal/installation of the direct-connect SRS connectors, refer to [SRS-8, "Direct-connect SRS Component Connectors"](#).
- After the work is completed, perform self-diagnosis to check that no malfunction is detected. Refer to [SRS-21, "SRS Operation Check"](#).

SPIRAL CABLE

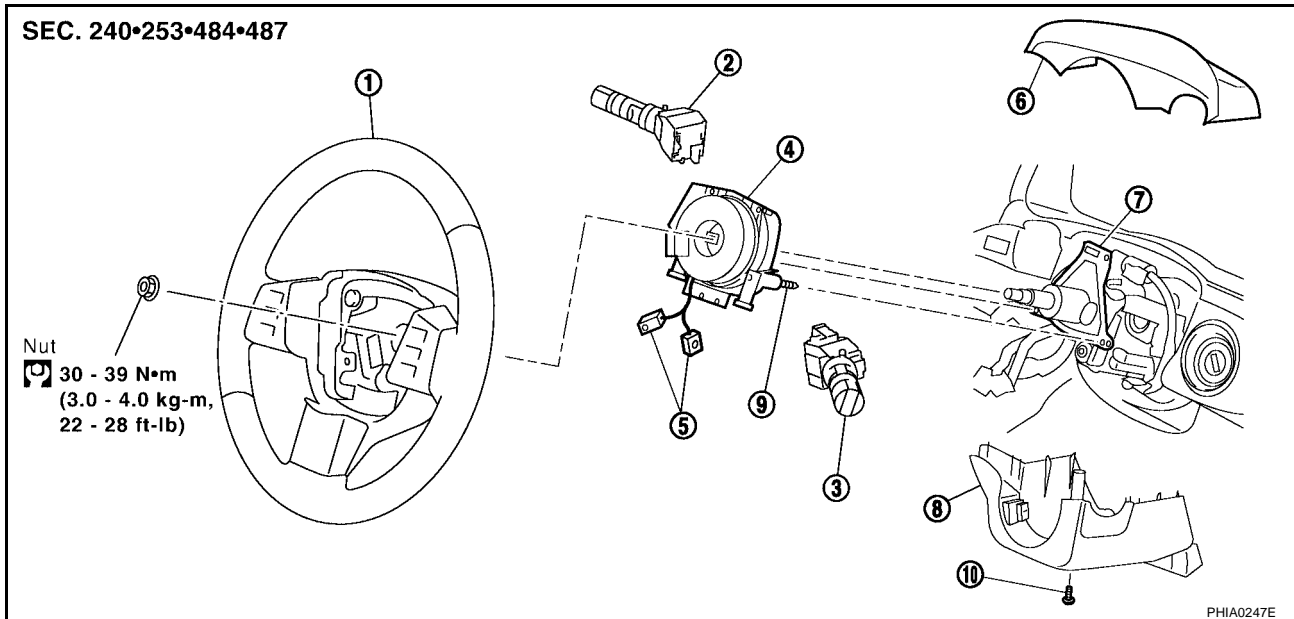
PF2:25554

SPIRAL CABLE

Removal and Installation

EHS0011S

SEC. 240•253•484•487



- | | | |
|--------------------|------------------------------------|----------------------------|
| 1. Steering wheel | 2. Lighting and turn signal switch | 3. Wiper and washer switch |
| 4. Spiral cable | 5. Driver air bag module connector | 6. Column cover upper |
| 7. Column assembly | 8. Column cover lower | 9. Screw (Do not remove) |
| 10. Screw | | |

REMOVAL

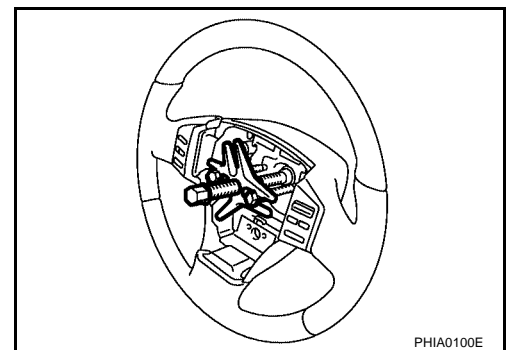
CAUTION:

- Before servicing the SRS, turn ignition switch OFF, disconnect both battery cables and wait at least 3 minutes.
 - When servicing the SRS, do not work from directly in front of air bag module.
1. Remove driver air bag module. Refer to [SRS-43, "Removal and Installation"](#).
 2. Set the steering wheel to the neutral position.
 3. Remove the column cover upper and lower.
 4. Disconnect the horn connector.

CAUTION:

Do not tap or bump the steering wheel.

5. Remove steering wheel with steering wheel puller. Be careful not to over-tighten puller on steering wheel.



6. Remove the spiral cable screws and remove the spiral cable.

CAUTION:

- Do not disassemble spiral cable.
- Do not apply lubricant to the spiral cable.

A
B
C
D
E
F
G

SRS

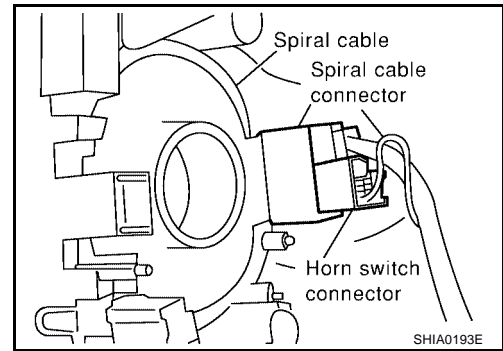
I
J
K
L
M

SPIRAL CABLE

- Remove the horn switch connector and the spiral cable connector.

CAUTION:

With the steering linkage disconnected, the spiral cable may snap by turning the steering wheel beyond the limited number of turns. The spiral cable can be turned counterclockwise about 2.5 turns from the neutral position.



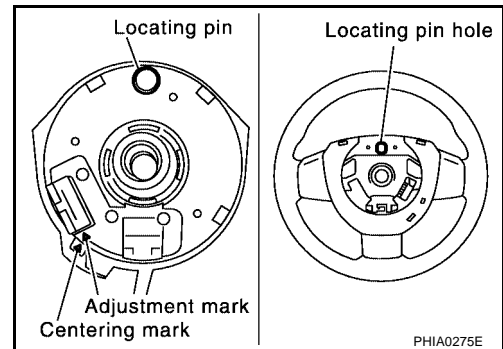
INSTALLATION

To install, reverse the removal procedure.

- After the work is completed, perform self-diagnosis to make sure no malfunction is detected. Refer to [SRS-21, "SRS Operation Check"](#).

CAUTION:

- The spiral cable may snap due to steering operation if the cable is not installed in the correct position.
- With the steering linkage disconnected, the cable may snap by turning the steering wheel beyond the limited number of turns. The spiral cable can be turned counterclockwise about 2.5 turns from the neutral position.



FRONT PASSENGER AIR BAG MODULE

FRONT PASSENGER AIR BAG MODULE

PFM:K8515

Removal and Installation REMOVAL

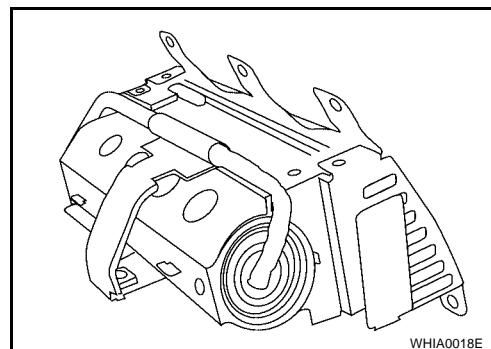
EHS0011T

CAUTION:

- Before servicing SRS, turn the ignition switch off, disconnect both battery cables and wait at least 3 minutes.
 - When servicing the SRS, do not work from directly in front of air bag module.
1. Remove bolt (through glove box opening) retaining front passenger air bag module to instrument panel crossmember.
 2. Disconnect the air bag module electrical connectors and remove the front passenger air bag jumper harness from the air bag module.
 3. Remove the instrument panel assembly. Refer to [IP-18, "M/T Finisher"](#).
 4. Remove front passenger air bag module nuts and remove air bag module from the instrument panel assembly.

CAUTION:

- When servicing the SRS, do not work from directly in front of air bag module.
- Always place front passenger air bag module with caution label side facing upward.
- Do not insert any foreign objects (screwdriver, etc.) into air bag module or harness connectors.
- Do not disassemble air bag module.
- Do not use old bolts after removal; replace with new bolts.
- Do not expose the front passenger air bag module to temperatures exceeding 90°C (194°F).



- Replace the air bag module if it has been dropped or sustained an impact.
- Do not allow oil, grease or water to come in contact with the air bag module.



INSTALLATION

To install, reverse the removal procedure.

- After the work is completed, perform self-diagnosis to check that no malfunction is detected. Refer to [SRS-21, "SRS Operation Check"](#).

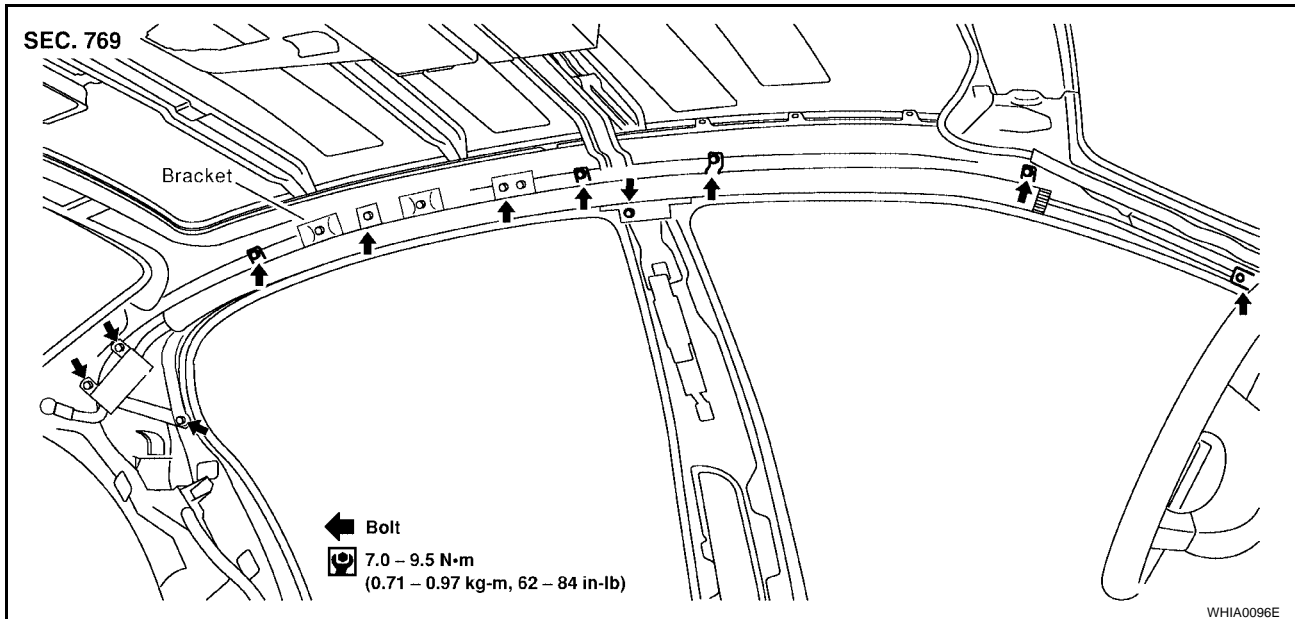
SIDE CURTAIN AIR BAG MODULE

SIDE CURTAIN AIR BAG MODULE

PPF:985P0

Removal and Installation

EHS0011V



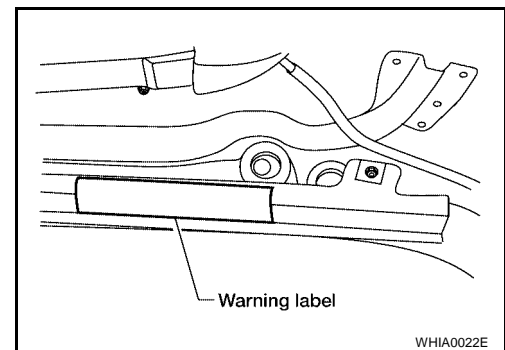
REMOVAL

CAUTION:

- Do not attempt to repair or replace damaged direct-connect SRS component connectors. If a direct-connect harness connector is damaged, the harness must be replaced.
 - Before servicing the SRS, turn the ignition switch off, disconnect both battery cables and wait at least 3 minutes.
 - When servicing the SRS, do not work from directly in front of air bag module.
1. Remove headlining. Refer to [EI-42, "Removal and Installation"](#).
 2. Remove three rearmost side curtain air bag inflator bolts and unhook the side curtain air bag inflator.
 3. Disconnect side curtain air bag connector.
 - For removal/installation of the direct-connect SRS connectors, refer to [SRS-8, "Direct-connect SRS Component Connectors"](#).
 4. Remove the side curtain air bag module bolts and remove the side curtain air bag module.

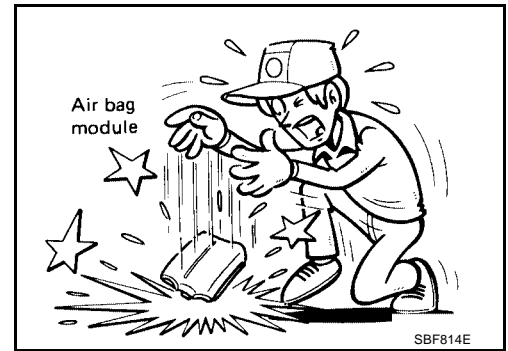
CAUTION:

- When servicing the SRS, do not work from directly in front of air bag module.
- Always place the side curtain air bag module with the warning label facing upward.
- Do not insert any foreign objects (screwdriver, etc.) into air bag module or harness connectors.
- Do not disassemble air bag module.
- Do not expose the air bag module to temperatures exceeding 90°C (194°F).



SIDE CURTAIN AIR BAG MODULE

- Replace side curtain air bag module if it has been dropped or sustained an impact.
- Do not allow oil, grease or water to come in contact with the air bag module.



INSTALLATION

To install, reverse the removal procedure.

- For removal/installation of the direct-connect SRS connectors, refer to [SRS-8, "Direct-connect SRS Component Connectors"](#).
- After replacement of side curtain air bag module, perform self-diagnosis to check that no malfunction is detected. Refer to [SRS-21, "SRS Operation Check"](#).

A
B
C
D
E
F
G
I
J
K
L
M

SRS

CRASH ZONE SENSOR

PFP:98531

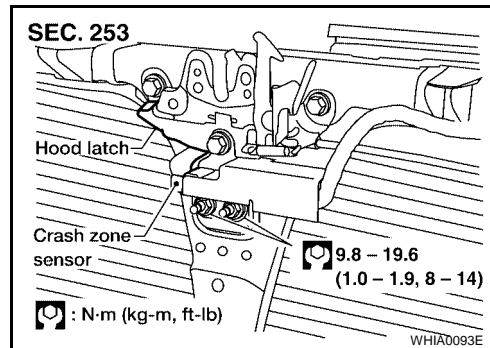
EHS0011W

CRASH ZONE SENSOR

Removal and Installation REMOVAL

CAUTION:

- Before servicing the SRS, turn the ignition switch off, disconnect both battery cables and wait at least 3 minutes.
1. Remove front grille. Refer to [EI-18, "Removal and Installation"](#).
 2. Disconnect the crash zone sensor harness connector.
 3. Remove crash zone sensor nuts.



CAUTION:

- Replace crash zone sensor if it has been dropped or sustained an impact.
- Do not disassemble crash zone sensor.

INSTALLATION

To install, reverse the removal procedure.

- After the work is complete, perform self-diagnosis to check that no malfunction is detected. Refer to [SRS-21, "SRS Operation Check"](#).

SIDE AIR BAG (SATELLITE) SENSOR

PFP:98830

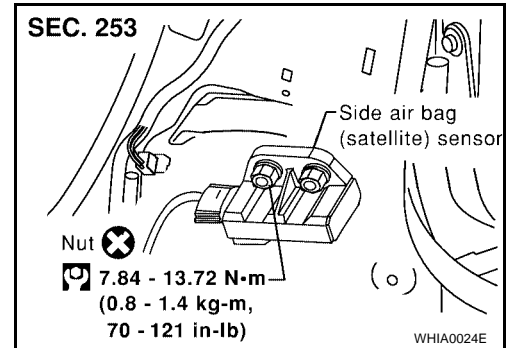
SIDE AIR BAG (SATELLITE) SENSOR

Removal and Installation REMOVAL

EHS0011X

CAUTION:

- Before servicing the SRS, turn the ignition switch off, disconnect both battery cables and wait at least 3 minutes.
1. Remove seat belt pre-tensioner. Refer to [SB-4, "Removal and Installation of Front Seat Belt"](#).
 2. Remove side air bag (satellite) sensor nuts.
 3. Disconnect the side air bag (satellite) sensor harness connector.



CAUTION:

- Do not use old nuts after removal; replace with new nuts.
- Check side air bag (satellite) sensor to ensure it is free of deformities, dents, cracks or rust. If it shows any visible signs of damage, replace it with new one.
- Do not disassemble side air bag (satellite) sensor.
- Replace side air bag (satellite) sensor if it has been dropped or sustained an impact.

INSTALLATION

To install, reverse the removal procedure.

- After the work is completed, perform self-diagnosis to check that no malfunction is detected. Refer to [SRS-21, "SRS Operation Check"](#).

FRONT SEAT BELT PRE-TENSIONER

FRONT SEAT BELT PRE-TENSIONER

PF:86884

Removal and Installation

EHS0011Y

For removal and installation procedures, refer to [SB-4, "Removal and Installation of Front Seat Belt"](#) .

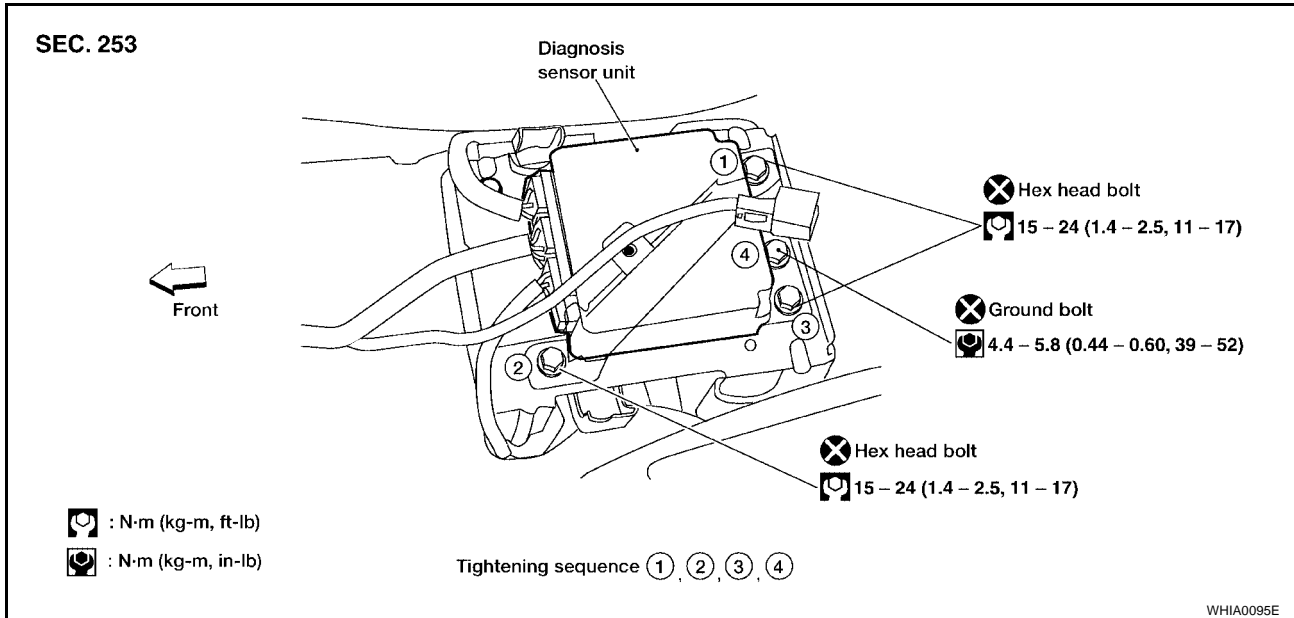
DIAGNOSIS SENSOR UNIT

PFP:28556

EHS0011Z

DIAGNOSIS SENSOR UNIT

Removal and Installation REMOVAL



CAUTION:

- Before servicing the SRS, turn the ignition switch off, disconnect both battery cables and wait at least 3 minutes.

1. Disconnect the harness connectors for each air bag module and seat belt pre-tensioner.
2. Remove center console. Refer to [IP-10, "INSTRUMENT PANEL ASSEMBLY"](#).
3. Disconnect diagnosis sensor unit harness connectors.
4. Remove fixing bolts from the diagnosis sensor unit.

CAUTION:

- Do not use old bolts; replace with new bolts.
- Check diagnosis sensor unit bracket to ensure it is free of deformities, dents, cracks or rust. If it shows any visible signs of damage, replace with new one.
- Replace diagnosis sensor unit if it has been dropped or sustained an impact.

INSTALLATION

To install, reverse the removal procedure.

- After the work is completed, perform self-diagnosis to check that no malfunction is detected. Refer to [SRS-21, "SRS Operation Check"](#).

CAUTION:

- The diagnosis sensor unit must always be installed with the arrow mark "←" pointing toward the front of the vehicle for proper operation.

ECU DISCRIMINATED NO.

After replacing the diagnosis sensor unit, confirm that the diagnosis sensor unit identification is correct for the vehicle as equipped. Refer to [SRS-19, "CONSULT-II Function \(AIR BAG\)"](#).

A
B
C
D
E
F
G

SRS

I
J
K
L
M

OCCUPANT CLASSIFICATION SYSTEM CONTROL UNIT

OCCUPANT CLASSIFICATION SYSTEM CONTROL UNIT

PF9:98852

Removal and Installation

EHS0013E

The occupant classification control unit, occupant classification system sensor, and bladder are an integral part of the front passenger seat cushion and are replaced as an assembly. Refer to [SE-110, "Removal and Installation"](#) to remove the seat, and [SE-114, "SEAT CUSHION TRIM AND PAD \(DRIVER\) OR SEAT CUSHION ASSEMBLY \(PASSENGER\)"](#) to replace the seat cushion.

COLLISION DIAGNOSIS

PFP:00015

COLLISION DIAGNOSIS

For Frontal Collision

EHS00121

Check the SRS components using the following table.

- After the work is completed, perform self-diagnosis to check that no malfunction is detected. Refer to [SRS-21, "SRS Operation Check"](#).

SRS INSPECTION (FOR FRONTAL COLLISION)

Part	SRS is activated	SRS is NOT activated
Air bag module (driver and front passenger air bag module)	REPLACE Install with new fasteners.	<ol style="list-style-type: none"> Remove air bag module. Check harness cover and connectors for damage, terminals for deformities, and harness for binding. Install driver air bag module into the steering wheel to check fit and alignment with the wheel. Install passenger air bag module into the instrument panel to check fit with the instrument panel. If no damage is found, reinstall with new fasteners. If damaged—REPLACE. Install air bag modules with new fasteners.
Crash zone sensor	REPLACE the crash zone sensor and bracket with new fasteners.	<ol style="list-style-type: none"> Remove the crash zone sensor. Check harness connectors for damage, terminals for deformities, and harness for binding. Check for visible signs of damage (dents, cracks, deformation) of the crash zone sensor and bracket. Install the crash zone sensor to check fit. If no damage is found, reinstall with new fasteners. If damaged—REPLACE the crash zone sensor and bracket with new fasteners.
Seat belt pre-tensioner assemblies	REPLACE Install seat belt pre-tensioner with new fasteners.	<ol style="list-style-type: none"> Remove seat belt pre-tensioners. Check harness cover and connectors for damage, terminals for deformities, and harness for binding. Check belts for damage and anchors for loose mounting. Check retractor for smooth operation. Check seat belt adjuster for damage. If no damage is found, reinstall seat belt pre-tensioner assembly. If damaged—REPLACE. Install the seat belt pre-tensioners with new fasteners.
Diagnosis sensor unit	REPLACE Install with new fasteners.	<ol style="list-style-type: none"> Check case for dents, cracks or deformities. Check connectors for damage, and terminals for deformities. If no damage is found, reinstall with new fasteners. If damaged—REPLACE. Install diagnosis sensor unit with new fasteners.
Steering wheel		<ol style="list-style-type: none"> Visually check steering wheel for deformities. Check harness (built into steering wheel) and connectors for damage, and terminals for deformities. Install driver air bag module into the steering wheel to check fit and alignment with the wheel. Check steering wheel for excessive free play. If no damage is found, reinstall. If damaged—REPLACE.
Spiral cable	REPLACE the spiral cable.	<ol style="list-style-type: none"> Visually check spiral cable and combination switch for damage. Check connectors and protective tape for damage. Check steering wheel for noise, binding or heavy operation. If no damage is found, reinstall. If damaged—REPLACE.
Occupant classification system sensor (Passenger seat)		<ol style="list-style-type: none"> Remove passenger seat. Check control unit case for dents, cracks or deformities. Check connectors and pressure sensor tube for damage, and terminals for deformities. Check seat frame and cushion pan for dents or deformities. If no damage is found, reinstall seat with new fasteners. If damaged — REPLACE seat cushion assembly with new fasteners.

A

B

C

D

E

F

G

SRS

I

J

K

L

M

COLLISION DIAGNOSIS

Part	SRS is activated	SRS is NOT activated
Harness and connectors	<ol style="list-style-type: none"> 1. Check connectors for poor connection, damage, and terminals for deformities. 2. Check harness for binding, chafing, cuts, or deformities. 3. If no damage is found, reinstall the harness and connectors. 4. If damaged—REPLACE the damaged harness. Do not attempt to repair, splice or modify any SRS harness. 	
Instrument panel	REPLACE the instrument panel assembly.	<ol style="list-style-type: none"> 1. Visually check instrument panel for damage. 2. If no damage is found, reinstall the instrument panel. 3. If damaged—REPLACE the instrument panel.

For Side Collision

EHS00122

Check the SRS components using the following table.

- After the work is completed, perform self-diagnosis to check that no malfunction is detected. Refer to [SRS-21, "SRS Operation Check"](#).

SRS INSPECTION (FOR SIDE COLLISION)

Part	SRS is activated	SRS is NOT activated
(LH or RH) side curtain air bag module	Replace the side curtain air bag module. (Repair the center pillar inner, etc. before installing new one if damaged.)	<ol style="list-style-type: none"> 1. Check for visible signs of damage (dents, tears, deformation) of the center pillar on the collision side. 2. If damaged—Remove the side curtain air bag module. 3. Check for visible signs of damaged (tears etc.) of the side curtain air bag module. 4. Check harness and connectors for damage, and terminals for deformities. 5. If no damage is found, reinstall the side curtain air bag module with new fasteners. 6. If damaged—REPLACE the side curtain air bag module with new fasteners.
Front (LH or RH) side air bag module	REPLACE front seatback assembly.	<ol style="list-style-type: none"> 1. Check for visible signs of damage (dents, tears, deformation) of the seat back on the collision side. 2. Check harness and connectors for damage, and terminals for deformities. 3. If damaged—REPLACE the front seatback assembly.
(LH or RH) side air bag (satellite) sensor	REPLACE the side air bag (satellite) sensor on the collision side with new fasteners. (Repair the center pillar inner, etc. before installing new one if damaged.)	<ol style="list-style-type: none"> 1. Remove the side air bag (satellite) sensor on the collision side. Check harness connectors for damage, terminals for deformities, and harness for binding. 2. Check for visible signs of damage (dents, cracks, deformation) of the side air bag (satellite) sensor. 3. Install the side air bag (satellite) sensor to check fit. 4. If no damage is found, reinstall the side air bag (satellite) sensor with new fasteners. 5. If damaged—REPLACE the side air bag (satellite) sensor with new fasteners.
Diagnosis sensor unit	REPLACE the diagnosis sensor unit with new fasteners.	<ol style="list-style-type: none"> 1. Check case and bracket for dents, cracks or deformities. 2. Check connectors for damage, and terminals for deformities. 3. If no damage is found, reinstall the diagnosis sensor unit with new fasteners. 4. If damaged—REPLACE the diagnosis sensor unit with new fasteners.
Seat belt pre-tensioner assembly	<ol style="list-style-type: none"> 1. Check if the seat belt can be extended smoothly. <ul style="list-style-type: none"> If the seat belt cannot be extended smoothly, <ul style="list-style-type: none"> – Check for deformities of the center pillar inner. – If the center pillar inner has no damage, REPLACE the seat belt pre-tensioner assembly. 2. Remove the seat belt pre-tensioner assembly on the collision side. Check harness cover and connectors for damage, terminals for deformities, and harness for binding. 3. Check for visible signs of damage (dents, cracks, deformation) of the seat belt pre-tensioner assembly. 4. Check seat belt adjuster for damage. 5. If no damage is found, reinstall the seat belt pre-tensioner assembly. 6. If damaged—REPLACE the seat belt pre-tensioner assembly with new fasteners. 	

COLLISION DIAGNOSIS

Part	SRS is activated	SRS is NOT activated
Seat (with front side air bag)	REPLACE front seat-back assembly.	<ol style="list-style-type: none"> 1. Visually check the seat on the collision side. 2. Remove the seat on the collision side and check the following for damage and deformities. <ul style="list-style-type: none"> - Harness, connectors and terminals - Frame and recliner (for front and rear seat), and also adjuster and slides (for front seat) 3. If no damage is found, reinstall the seat. 4. If damaged—REPLACE the damaged seat parts using new fasteners. If the front seat back is damaged, the front seat back assembly must be replaced.
Center inner pillar	<ol style="list-style-type: none"> 1. Check the center inner pillar on the collision side for damage (dents, cracks, deformation). 2. If damaged—REPAIR the center inner pillar. 	
Trim/headlining	<ol style="list-style-type: none"> 1. Check for visible signs of damage (dents, cracks, deformation) of the interior trim on the collision side. 2. If damaged—REPLACE the damaged trim parts. 	

A
B
C
D
E
F
G
I
J
K
L
M

SRS

COLLISION DIAGNOSIS
